

ELECTRIC CHEESEMELTERS

For Counter, Pass-Thru and Wall Mount
Installations.

OPERATION MANUAL

CM-24

CM-24M Metal Sheath Elements
CM-24Q Quartz Tube Elements

ELECTRICAL DATA

1.8 KW 120 Volts single phase 50/60 Hertz

DIMENSIONS

Width — 24"
Depth 13"
Height 15"
(add 4" for NSF legs)

CM-36

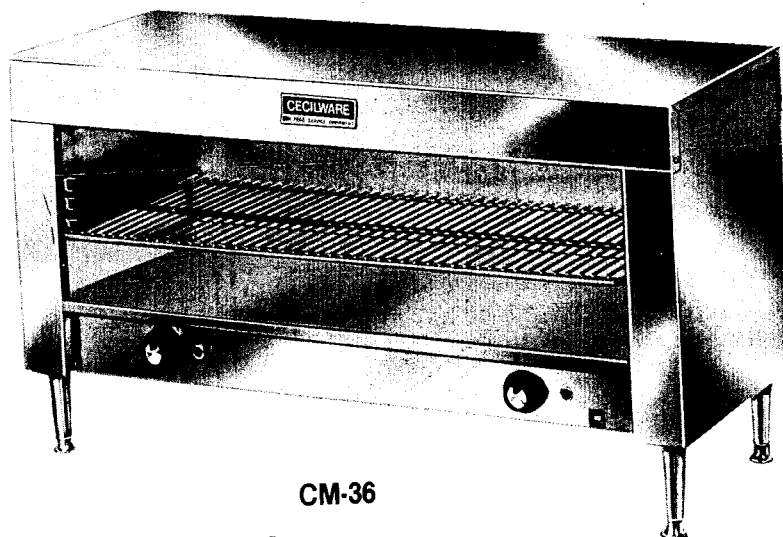
CM-36M Metal Sheath Elements
CM-36Q Quartz Tube Elements

ELECTRICAL DATA

3.6 KW 240 Volts single phase 50/60 Hertz
3.6 KW 208 Volts single phase 50/60 Hertz

DIMENSIONS

Width — 36"
Depth 13"
Height 15"
(add 4" for NSF legs)



CM-36



CECILWARE CORPORATION

43-05 20th Avenue, Long Island City, N.Y. 11105 • 718-932-1414

N239A

INSTALLATION INSTRUCTIONS for...

CM-24 and CM-36 Counter Cheesemelters. Select a suitable location for your cheesemelter and adjust the leveling legs on the bottom of the unit to level it and prevent rocking.

CM-24 and CM-36-Pass-thru units — Remove the outer and inner back panels. Adjust the leveling legs.

CM-24 and CM-36 — Wall mounted units — Remove the outer back panel and mount the wall brackets to the back of the unit using the same screws. refer to ILL. 1 on page 3. position the Cheesemelter on the wall and mark the four holes through the mounting brackets on the wall. Use 5/16 diameter toggle bolts 2" long or an equivalent fastener to mount the unit to the wall.

ELECTRICAL — (See ILL.2, page 4)

For CM-36 remove the cover from the field wiring compartment located on the bottom of the Cheesemelter. Use a suitable conduit fitting and connect two #10 wires from the power source to terminal L1 and L2 of the terminal block and a ground wire to the grounding lug marked GND.

For CM-24 provide a suitable 120V — 15A wall outlet.

OPERATION

Apply power to the unit and turn the infinite switch knob(s) to the high position. Allow a few minutes for the element(s) to reach operating temperature. Place the wire rack at the desired level and the cheesemelter is ready to operate. Adjust the infinite knob(s) for the proper heat and adjust the rack for the type of food you are preparing.

MAINTENANCE

Very little maintenance is required on this unit. Use a mild detergent on the stainless exterior and a commercial cleaner for the oven compartment.

Service Procedures — FOR QUALIFIED SERVICE PERSONNEL ONLY

Problem: Element(s) do not heat when control(s) are turned on.
Possible Cause: Loss of power to cheesemelter.
Remedy: Check fuses or reset circuit breakers from power source.

Problem: One or more element(s) of cheesemelter fail to heat up with infinite switch and pilot on.
Possible Cause: Element is burned out and should be replaced.
Replace as follows: (See ILL. 1)

A — Metal Sheath Elements.

1. Turn off power to cheesemelter.
2. Remove one screw from each element bracket and rotate bracket (11) to clear element.
3. Remove the two screws holding the element to the side panel and withdraw the element.
Remove the two wires from the element being careful that the wires do not fall behind the panel.
4. Replace the element in the reverse order of removal.

B — Quartz Tube Element.

1. Remove quartz element bracket mounting screws from one side of the cheesemelter.
2. Lower the bracket (9) to clear the quartz elements and withdraw the guard rods (10) from the other bracket.
3. Remove the other bracket.

4. Slide the element (1A) to one side to clear the side panel and withdraw the element to the front of the cheesemelter. Remove the quick disconnect terminals from the defective element and replace it with a new one.
5. Reinstall components in the reverse order of removal.

NOTE: BE CERTAIN THE REPLACEMENT QUARTZ ELEMENT IS OF THE SAME WATTAGE AND VOLTAGE AS THE ONE IT'S REPLACING.

Problem: Element(s) do not heat and pilot light related to the element(s) does not light.

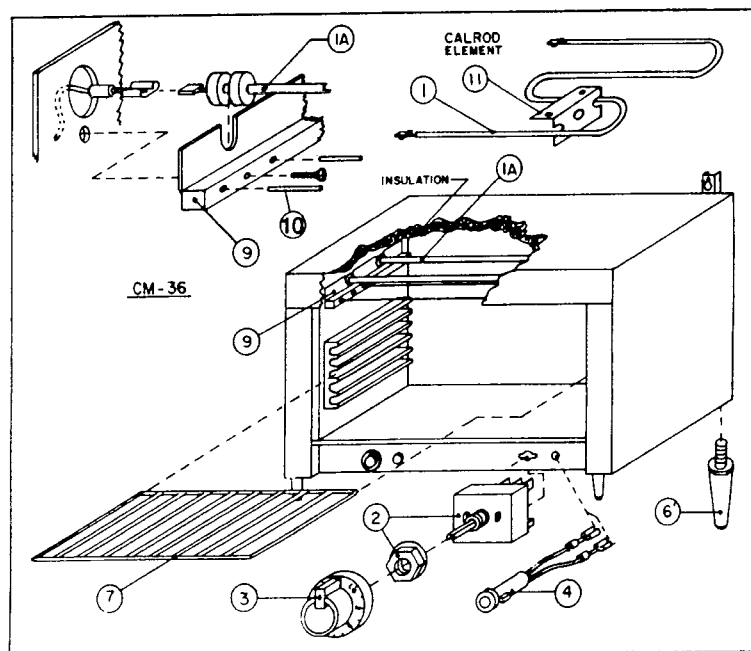
Possible Cause: Infinite control not operating and should be replaced.

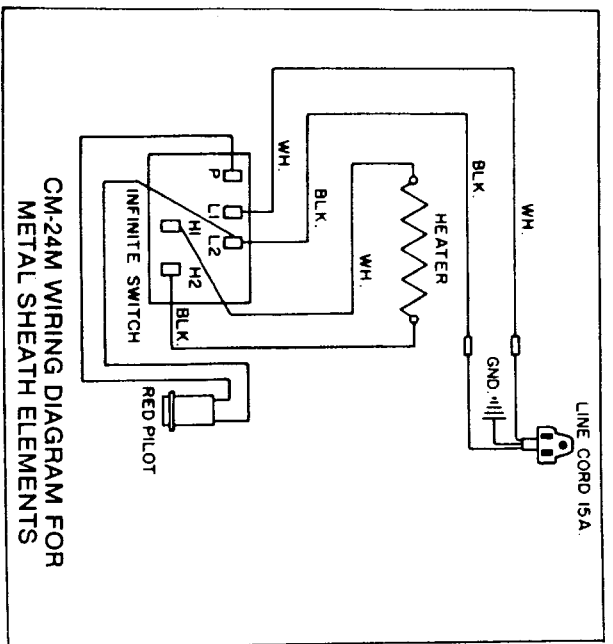
Remedy: Replace infinite control as follows:

1. Remove bottom cover of cheesemelter.
2. Remove knob and nut from infinite control and withdraw from front panel.
3. Disconnect wires from faulty control and replace it with a new one.
4. Assemble the parts in the reverse order of removal. Refer to ILL. 2 on page 4 for correct connections to control.

PARTS LIST

FIGURE NO.	DESCRIPTION	CM-36M METAL	CM-24M METAL	CM-36Q QUARTZ	CM-24Q QUARTZ
1	208v 1800w Heating Element	G100A	---	---	---
	240v 1800w Heating Element	G101A	---	---	---
	120v 1800w Heating Element	---	G106A	---	---
1A	208v 900w Quartz Element	---	---	G191A	---
	240v 900w Quartz Element	---	---	G192A	---
	120v 600w Quartz Element	---	---	---	G190A
2	Infinite Switch	L040A	L164A	L040A	L164A
3	Infinite Switch Knob	M060A	M060A	M060A	M060A
4	Pilot Light	C308A	C308A	C308A	C308A
5	Line Cord	---	C274A	---	C274A
6	Adjustable Legs	M172A	M172A	M172A	M172S
7	Wire Rack	S079A	S080A	S079A	S080A
9	Quartz Element Brackets	---	---	U467A	U465A
10	Rod Guard	---	---	V159A	V158A
11	Element Bracket	U301A	U301A	---	---

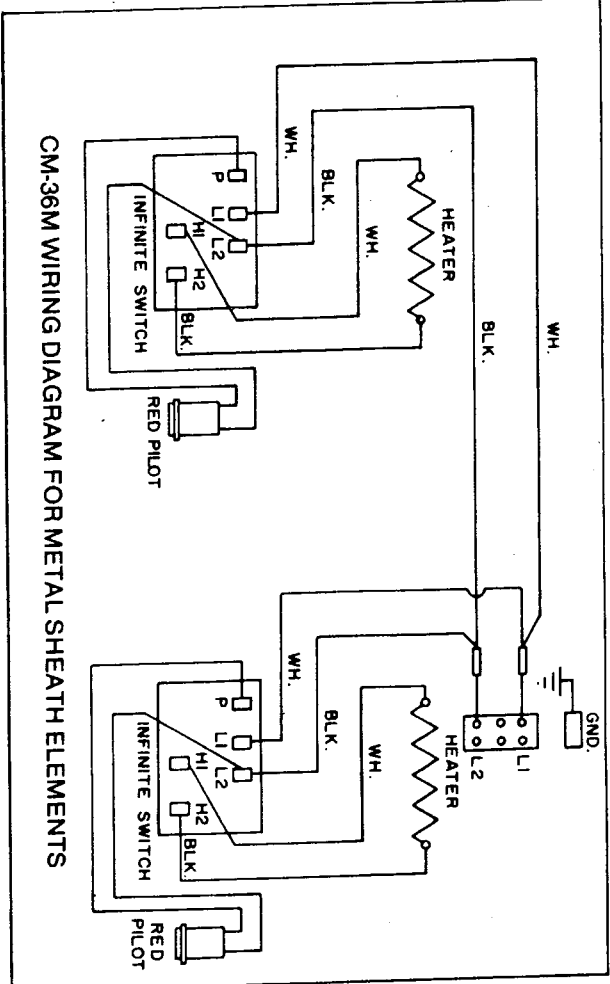




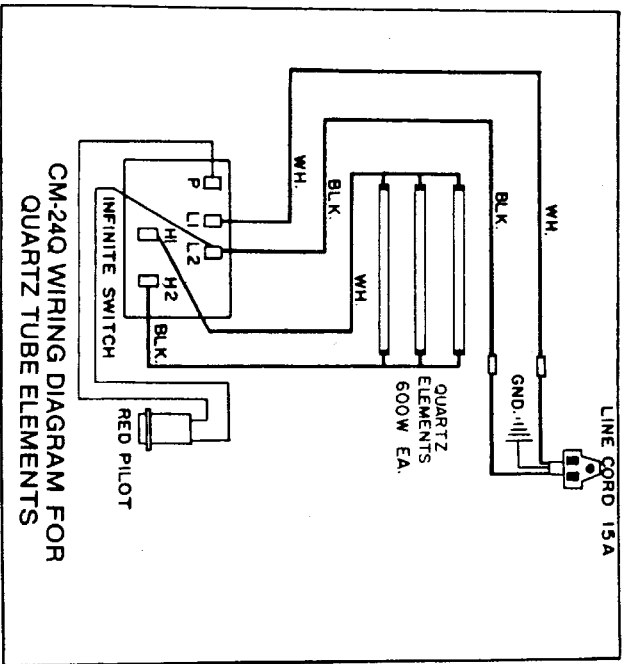
CM-24M WIRING DIAGRAM FOR METAL SHEATH ELEMENTS

ELECTRICAL DATA

CM-24M	PHASE — SINGLE
	VOLTS — 120 50/60 HZ
	AMPS — 15
	WATTS — 1800
CM-36M	PHASE — SINGLE
	VOLTS — 240 50/60 HZ
	AMPS — 15
	WATTS — 3600
	VOLTS — 208 50/60 HZ
	AMPS — 17.3
	WATTS — 3600



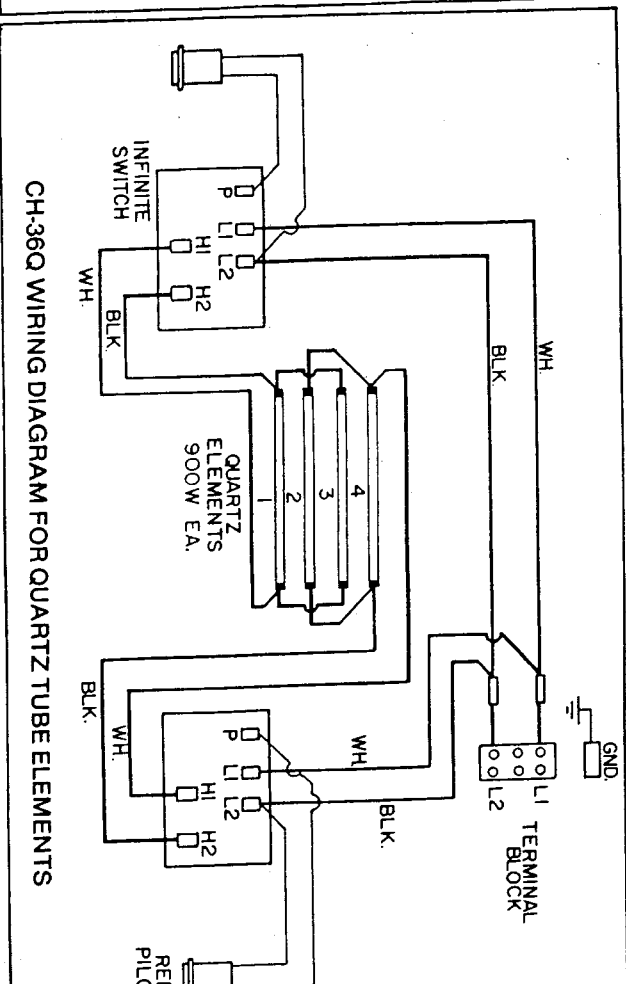
CM-36M WIRING DIAGRAM FOR METAL SHEATH ELEMENTS



CM-24Q WIRING DIAGRAM FOR QUARTZ TUBE ELEMENTS

ELECTRICAL DATA

CM-24Q	PHASE — SINGLE
	VOLTS — 120 50/60 HZ
	AMPS — 15
	WATTS — 1800
CM-36Q	PHASE — SINGLE
	VOLTS — 240 50/60 HZ
	AMPS — 15
	WATTS — 3600
	VOLTS — 208 50/60 HZ
	AMPS — 17.3
	WATTS — 3600



CH-36Q WIRING DIAGRAM FOR QUARTZ TUBE ELEMENTS

Free Manuals Download Website

<http://myh66.com>

<http://usermanuals.us>

<http://www.somanuals.com>

<http://www.4manuals.cc>

<http://www.manual-lib.com>

<http://www.404manual.com>

<http://www.luxmanual.com>

<http://aubethermostatmanual.com>

Golf course search by state

<http://golfingnear.com>

Email search by domain

<http://emailbydomain.com>

Auto manuals search

<http://auto.somanuals.com>

TV manuals search

<http://tv.somanuals.com>