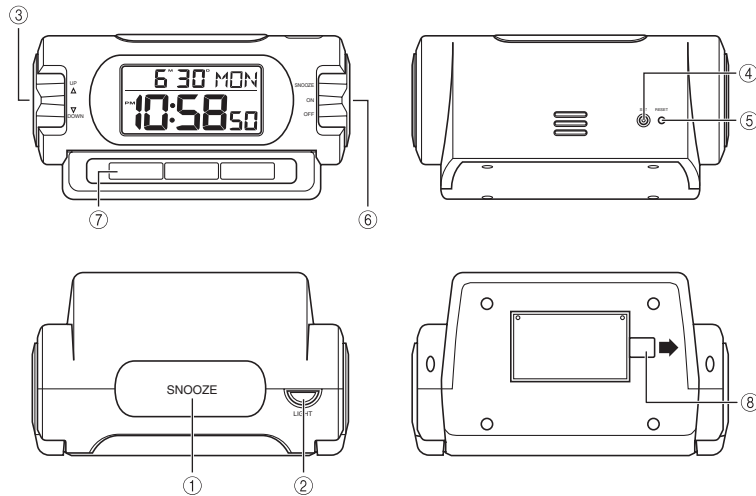
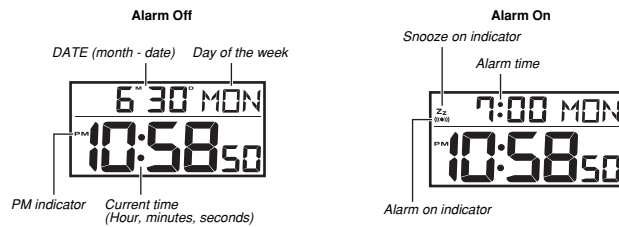


# USER'S GUIDE DQS-30



- A sticker is affixed to the glass of this clock when you purchase it. Be sure to remove the sticker before using the clock.
- Before using this clock for the first time, note the insulation sheet sticking out of the battery compartment. Pull out the insulation sheet in the direction indicated by the arrow before using the clock.
- After removing the insulation sheet, press the **RESET button (5)**.
- Depending on the clock model, the configuration of your clock may differ somewhat from that shown in the illustration.

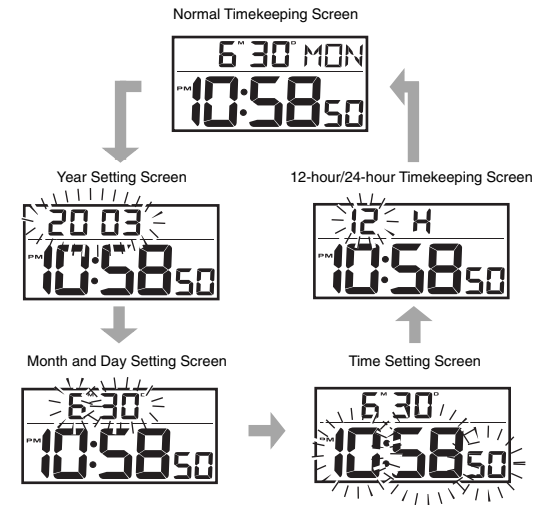


## GENERAL GUIDE

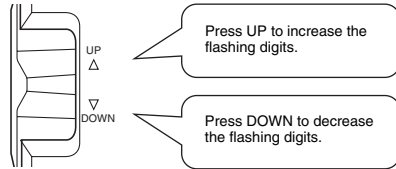
- ① **SNOOZE button**  
Pressing this button while the alarm is sounding stops the alarm.
- ② **LIGHT button**  
Press to turn on the backlight.
- ③ **Alarm Time Set button**  
Use this button to change the alarm time or current time setting.
- ④ **SET button**  
Use this button when setting the current time.
- ⑤ **RESET button**  
Press to reset the clock after replacing the battery.
- ⑥ **Alarm Switch**  
Use this switch to turn the alarm on and off, and to turn on the snooze alarm.
- ⑦ **Solar panel**
- ⑧ **Insulation sheet**  
Pull out the insulation sheet in the direction indicated by the arrow before using the clock. After removing the insulation sheet, press the **RESET button (5)**.

## SETTING THE TIME

1. Press the **SET button (4)** to cycle through the setting screens as shown below.



2. While the screen you want is on the display, use the **Alarm Time Set button (3)** to change the digits that are flashing.



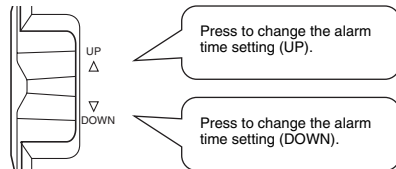
- Holding down UP or DOWN changes the flashing digits at high speed.
  - You can set the year in the range of 2000 to 2039. The day of the week is set automatically in accordance with the date setting.
  - Pressing UP or DOWN while the Time Setting Screen is on the display causes the seconds count to be reset to 00.
  - Each press of UP or DOWN while the 12-hour/24-hour Timekeeping Screen is on the display toggles between 12-hour and 24-hour timekeeping.
3. After making the settings you want, use the **SET button (4)** to display the Normal Timekeeping Screen.
- The clock automatically returns to the Normal Timekeeping Screen if you leave a setting screen on the display for about three minutes without performing any operation.

### USING THE ALARM

The alarm sounds and the backlight turns on when the alarm time you set is reached. You can also use the **Alarm Switch (6)** to select the snooze alarm feature.

#### Setting the Alarm Time

Use the **Alarm Time Set button (3)** to set the alarm time. Pressing the **Alarm Time Set button (3)** causes the alarm time to appear in place of the date on the display.



- Holding down UP or DOWN changes the digits at high speed.

#### Turning the Alarm On and Off

Use the **Alarm Switch (6)** on the right side of the clock to turn the alarm on and off, and to select the snooze feature.

Alarm Switch Setting	Description
<b>SNOOZE ON</b> ( Zz ) ( (●●) )	The alarm sounds at the preset time for one minute, and seven more times every five minutes thereafter. Even if you stop the alarm sound by pressing the <b>SNOOZE button (1)</b> , the alarm operation is performed again five minutes later. <ul style="list-style-type: none"> <li>• The indicator <b>Zz</b> flashes on the display to indicate that the snooze feature is activated.</li> </ul>
<b>ALARM ON</b> ( (●●) )	The alarm sounds at the preset time for one minute.
<b>OFF</b>	The alarm does not sound.

- The alarm time appears in place of the date on the display whenever the alarm switch is set to ON or SNOOZE.
- The backlight also turns on for the first four seconds that the alarm sounds.
- The alarm sound changes over five levels as it sounds.

#### Stopping the Alarm

- When alarm is sounding, press the **SNOOZE button (1)** to stop it. When the snooze feature is turned on, the alarm will sound again in about five minutes.
- To turn off the snooze feature, slide the **Alarm Switch (6)** to OFF.

### USING THE LIGHT

Pressing the **LIGHT button (2)** turns on the light and illuminates the display for easy reading in the dark.

#### Important!

- Overuse of the light can shorten battery life.

### BATTERY REPLACEMENT

Replace the battery whenever the display of the clock becomes dim and difficult to read.

- Always have the battery replaced at your nearest dealer.

## Free Manuals Download Website

<http://myh66.com>

<http://usermanuals.us>

<http://www.somanuals.com>

<http://www.4manuals.cc>

<http://www.manual-lib.com>

<http://www.404manual.com>

<http://www.luxmanual.com>

<http://aubethermostatmanual.com>

Golf course search by state

<http://golfingnear.com>

Email search by domain

<http://emailbydomain.com>

Auto manuals search

<http://auto.somanuals.com>

TV manuals search

<http://tv.somanuals.com>