



## EXHAUST FANS

*better* AIRFLOW  
*by* DESIGN™



### CDB & CDD DOWNBLAST FANS

- Suitable for roof or wall mount
- Backward inclined, non-overloading wheels
- Spun aluminum housing
- Weather resistant construction
- Blades & inlets fabricated from aluminum
- Available in single & three phase voltages
- Belt drive capacities to 17,650 cfm
- Direct drive capacities to 2,750 cfm

# CDB BELT DRIVE DOWNBLAST FANS

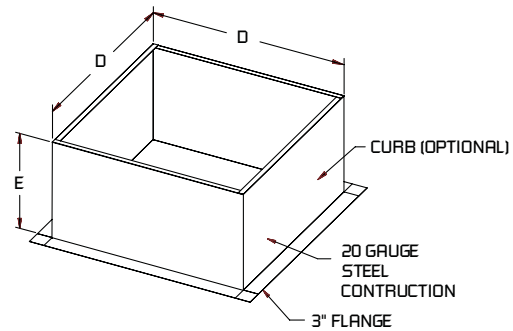
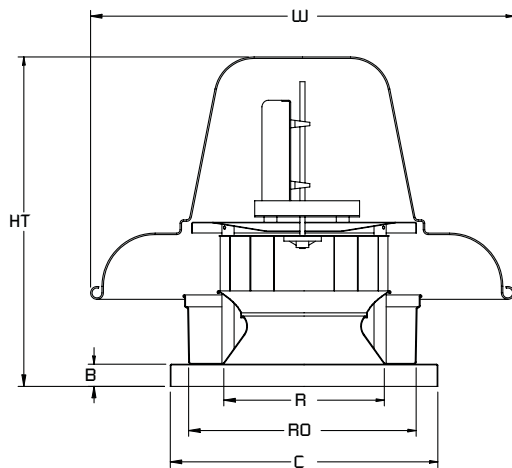
## FEATURES & BENEFITS

- Suitable for roof or wall mount (up to model CDB-24/2HP)
- Backward inclined, non-overloading wheels
- Spun aluminum housing for weather resistant durability
- Fully ventilated motor cooling compartment for long motor life
- Quick release latches for easy access to motor compartment
- Blades and inlets fabricated from aluminum
- Variable pitch motor pulley allows for field adjustment and system balancing
- High efficiency wheels and low tip speeds result in quiet operation
- Disconnect switch
- Bird screen
- Vibration isolation
- 110 F max. temperature rating
- Available in the following voltages:
  - o 115-208/230V 1 phase
  - o 208/230V 1 phase
  - o 208/230-460V 3 phase
  - o 575V 3 phase



## ACCESSORIES / OPTIONS

- Gravity damper
- Wall mount sleeve
- Motorized damper
- Roof curb



DIMENSIONS IN INCHES\*

| MODEL  | HT   | W    | B | C    | D    | E  | R    | RO | WT (LBS) | DAMPER SQUARE | MANUFACTURE CODE |
|--------|------|------|---|------|------|----|------|----|----------|---------------|------------------|
| CDB-07 | 25.5 | 26.3 | 2 | 21.0 | 19.5 | 12 | 12.1 | 16 | 90       | 15.0          | BDCR7            |
| CDB-08 | 25.5 | 26.3 | 2 | 21.0 | 19.5 | 12 | 12.1 | 16 | 90       | 15.0          | BDCR8            |
| CDB-09 | 25.5 | 26.3 | 2 | 21.0 | 19.5 | 12 | 12.1 | 16 | 90       | 15.0          | BDCR9            |
| CDB-11 | 25.5 | 26.3 | 2 | 21.0 | 19.5 | 12 | 12.1 | 16 | 105      | 15.0          | BDCR11           |
| CDB-13 | 27.3 | 29.6 | 2 | 21.0 | 19.5 | 12 | 13.3 | 16 | 105      | 15.0          | BDCR13           |
| CDB-15 | 30.6 | 33.3 | 2 | 24.8 | 23.0 | 12 | 14.9 | 20 | 130      | 19.0          | BDCR15           |
| CDB-18 | 32.8 | 38.3 | 2 | 28.0 | 26.5 | 12 | 16.5 | 24 | 190      | 23.0          | BDCR18           |
| CDB-20 | 32.8 | 38.3 | 2 | 28.0 | 26.5 | 12 | 18.0 | 24 | 195      | 23.0          | BDCR20           |
| CDB-24 | 37.8 | 42.5 | 2 | 33.0 | 31.5 | 12 | 23.9 | 28 | 215      | 27.0          | BDCR24           |
| CDB-30 | 40.0 | 52.0 | 2 | 40.0 | 38.0 | 12 | 24.0 | 36 | 380      | 35.0          | BDCR30           |
| CDB-36 | 43.0 | 66.0 | 2 | 44.5 | 43.0 | 12 | 30.8 | 36 | 420      | 35.5          | BDCR36           |

\*DO NOT USE FOR CONSTRUCTION

CONSULT FACTORY FOR CERTIFIED PRINTS

# CDB BELT DRIVE DOWNBLAST FANS

| PERFORMANCE |      |           |                              |                                 |                                 |                                 |                              |                                 |                                 |
|-------------|------|-----------|------------------------------|---------------------------------|---------------------------------|---------------------------------|------------------------------|---------------------------------|---------------------------------|
| MODEL       | RPM  | MTR<br>HP | 0" S.P.<br>CFM<br>SONE / BHP | 0.25" S.P.<br>CFM<br>SONE / BHP | 0.50" S.P.<br>CFM<br>SONE / BHP | 0.75" S.P.<br>CFM<br>SONE / BHP | 1" S.P.<br>CFM<br>SONE / BHP | 1.25" S.P.<br>CFM<br>SONE / BHP | 1.50" S.P.<br>CFM<br>SONE / BHP |
| CDB-07-14   | 700  | 0.25      | 355<br>2.0 / 0.02            |                                 |                                 |                                 |                              |                                 |                                 |
| CDB-07-14   | 900  | 0.25      | 455<br>4.3 / 0.04            | 300<br>2.9 / 0.05               |                                 |                                 |                              |                                 |                                 |
| CDB-07-14   | 1100 | 0.25      | 560<br>6.4 / 0.08            | 434<br>5.5 / 0.08               | 265<br>5.3 / 0.08               |                                 |                              |                                 |                                 |
| CDB-07-14   | 1300 | 0.25      | 660<br>6.8 / 0.13            | 556<br>6.8 / 0.13               | 440<br>6.5 / 0.13               | 256<br>6.2 / 0.12               |                              |                                 |                                 |
| CDB-07-14   | 1500 | 0.25      | 760<br>11.1 / 0.19           | 673<br>11.0 / 0.20              | 577<br>10.8 / 0.20              | 468<br>10.2 / 0.20              | 295<br>9.0 / 0.18            |                                 |                                 |
| CDB-08-14   | 700  | 0.25      | 512<br>2.4 / 0.2             |                                 |                                 |                                 |                              |                                 |                                 |
| CDB-08-14   | 900  | 0.25      | 655<br>5.0 / 0.05            | 483<br>4.5 / 0.06               |                                 |                                 |                              |                                 |                                 |
| CDB-08-14   | 1100 | 0.25      | 800<br>7.3 / 0.09            | 670<br>7.1 / 0.10               | 500<br>6.4 / 0.10               |                                 |                              |                                 |                                 |
| CDB-08-14   | 1300 | 0.25      | 945<br>9.8 / 0.14            | 841<br>9.5 / 0.15               | 712<br>8.8 / 0.17               | 544<br>8.5 / 0.16               |                              |                                 |                                 |
| CDB-08-14   | 1500 | 0.25      | 1095<br>13.1 / 0.22          | 1002<br>12.9 / 0.23             | 900<br>12.9 / 0.25              | 775<br>12.4 / 0.25              | 628<br>11.3 / 0.25           |                                 |                                 |
| CDB-09-14   | 800  | 0.25      | 715<br>3.8 / 0.04            | 428<br>3.6 / 0.04               |                                 |                                 |                              |                                 |                                 |
| CDB-09-14   | 1000 | 0.25      | 895<br>6.8 / 0.07            | 701<br>6.7 / 0.08               |                                 |                                 |                              |                                 |                                 |
| CDB-09-14   | 1200 | 0.25      | 1075<br>9.3 / 0.12           | 928<br>9.1 / 0.13               | 717<br>9.1 / 0.14               |                                 |                              |                                 |                                 |
| CDB-09-14   | 1400 | 0.25      | 1255<br>11.6 / 0.19          | 1136<br>11.5 / 0.21             | 984<br>11.3 / 0.22              | 771<br>9.9 / 0.22               |                              |                                 |                                 |
| CDB-09-13   | 1600 | 0.33      | 1435<br>16.1 / 0.28          | 1332<br>15.7 / 0.30             | 1211<br>15.3 / 0.32             | 1057<br>14.7 / 0.33             | 870<br>13.8 / 0.32           | 585<br>13.0 / 0.30              |                                 |
| CDB-11-14   | 800  | 0.25      | 735<br>2.7 / 0.03            |                                 |                                 |                                 |                              |                                 |                                 |
| CDB-11-14   | 1000 | 0.25      | 920<br>4.2 / 0.06            | 710<br>3.6 / 0.09               |                                 |                                 |                              |                                 |                                 |
| CDB-11-14   | 1200 | 0.25      | 1105<br>6.7 / 0.10           | 965<br>6.0 / 0.15               | 728<br>5.4 / 0.16               |                                 |                              |                                 |                                 |
| CDB-11-13   | 1400 | 0.33      | 1286<br>8.7 / 0.16           | 1212<br>8.8 / 0.20              | 986<br>8.2 / 0.25               | 788<br>6.6 / 0.26               |                              |                                 |                                 |
| CDB-13-14   | 800  | 0.25      | 1298<br>5.7 / 0.08           | 1000<br>6.0 / 0.16              |                                 |                                 |                              |                                 |                                 |
| CDB-13-14   | 900  | 0.25      | 1458<br>7.2 / 0.11           | 1207<br>6.4 / 0.13              |                                 |                                 |                              |                                 |                                 |
| CDB-13-14   | 1000 | 0.25      | 1622<br>9.2 / 0.15           | 1394<br>8.5 / 0.18              | 1113<br>7.5 / 0.19              |                                 |                              |                                 |                                 |
| CDB-13-14   | 1100 | 0.25      | 1781<br>11.4 / 0.20          | 1575<br>10.9 / 0.23             | 1356<br>10.0 / 0.25             |                                 |                              |                                 |                                 |
| CDB-13-13   | 1200 | 0.33      | 1943<br>14.0 / 0.26          | 1762<br>13.8 / 0.30             | 1561<br>12.7 / 0.32             | 1288<br>12.0 / 0.32             |                              |                                 |                                 |
| CDB-13-12   | 1300 | 0.50      | 2107<br>13.9 / 0.33          | 1932<br>13.9 / 0.36             | 1756<br>13.6 / 0.39             | 1553<br>11.6 / 0.40             |                              |                                 |                                 |
| CDB-13-12   | 1400 | 0.50      | 2272<br>15.9 / 0.41          | 2108<br>15.0 / 0.44             | 1948<br>14.7 / 0.48             | 1769<br>13.9 / 0.50             | 1541<br>12.3 / 0.50          |                                 |                                 |

# CDB BELT DRIVE DOWNBLAST FANS

| PERFORMANCE |      |        |                              |                                 |                                 |                                 |                              |                                 |                                 |
|-------------|------|--------|------------------------------|---------------------------------|---------------------------------|---------------------------------|------------------------------|---------------------------------|---------------------------------|
| MODEL       | RPM  | MTR HP | 0" S.P.<br>CFM<br>SONE / BHP | 0.25" S.P.<br>CFM<br>SONE / BHP | 0.50" S.P.<br>CFM<br>SONE / BHP | 0.75" S.P.<br>CFM<br>SONE / BHP | 1" S.P.<br>CFM<br>SONE / BHP | 1.25" S.P.<br>CFM<br>SONE / BHP | 1.50" S.P.<br>CFM<br>SONE / BHP |
| CDB-15-14   | 700  | 0.25   | 1807<br>5.0 / 0.10           | 1376<br>4.0 / 0.12              |                                 |                                 |                              |                                 |                                 |
| CDB-15-14   | 800  | 0.25   | 2068<br>7.0 / 0.15           | 1708<br>6.1 / 0.18              | 1066<br>4.4 / 0.17              |                                 |                              |                                 |                                 |
| CDB-15-13   | 900  | 0.33   | 2330<br>8.9 / 0.21           | 2017<br>8.1 / 0.24              | 1600<br>6.9 / 0.26              |                                 |                              |                                 |                                 |
| CDB-15-13   | 1000 | 0.33   | 2586<br>10.7 / 0.29          | 2327<br>9.9 / 0.30              | 1995<br>9.1 / 0.35              | 1446<br>7.1 / 0.33              |                              |                                 |                                 |
| CDB-15-12   | 1100 | 0.50   | 2844<br>10.9 / 0.38          | 2605<br>10.9 / 0.42             | 2321<br>10.8 / 0.45             | 1957<br>9.6 / 0.46              | 1155<br>9.3 / 0.39           |                                 |                                 |
| CDB-15-34   | 1200 | 0.75   | 3106<br>13.9 / 0.49          | 2886<br>13.8 / 0.53             | 2643<br>13.5 / 0.57             | 2343<br>12.8 / 0.59             | 1915<br>11.6 / 0.57          |                                 |                                 |
| CDB-18-14   | 600  | 0.25   | 2344<br>5.9 / 0.17           | 1905<br>5.0 / 0.20              |                                 |                                 |                              |                                 |                                 |
| CDB-18-13   | 700  | 0.33   | 2739<br>8.8 / 0.26           | 2361<br>7.8 / 0.30              | 1830<br>6.6 / 0.30              |                                 |                              |                                 |                                 |
| CDB-18-12   | 800  | 0.50   | 3138<br>11.6 / 0.39          | 2800<br>10.6 / 0.43             | 2445<br>9.5 / 0.46              | 1681<br>8.9 / 0.42              |                              |                                 |                                 |
| CDB-18-34   | 900  | 0.75   | 3529<br>13.7 / 0.55          | 3235<br>12.9 / 0.60             | 2928<br>11.9 / 0.63             | 2559<br>10.9 / 0.64             |                              |                                 |                                 |
| CDB-18-01   | 1000 | 1.00   | 3920<br>14.8 / 0.74          | 3661<br>14.8 / 0.79             | 3384<br>14.0 / 0.83             | 3086<br>12.8 / 0.86             | 2682<br>11.9 / 0.85          |                                 |                                 |
| CDB-20-14   | 500  | 0.25   | 2862<br>5.0 / 0.15           | 2094<br>3.7 / 0.17              |                                 |                                 |                              |                                 |                                 |
| CDB-20-13   | 600  | 0.33   | 3444<br>7.5 / 0.25           | 2890<br>6.4 / 0.30              |                                 |                                 |                              |                                 |                                 |
| CDB-20-12   | 700  | 0.50   | 4010<br>10.5 / 0.39          | 3592<br>9.6 / 0.45              | 2939<br>8.1 / 0.47              |                                 |                              |                                 |                                 |
| CDB-20-34   | 800  | 0.75   | 4580<br>12.7 / 0.58          | 4229<br>11.9 / 0.65             | 3746<br>10.7 / 0.69             | 3049<br>8.9 / 0.68              |                              |                                 |                                 |
| CDB-20-01   | 900  | 1.00   | 5156<br>15.5 / 0.81          | 4849<br>15.5 / 0.90             | 4476<br>14.7 / 0.95             | 3954<br>13.5 / 0.96             | 3224<br>11.3 / 0.92          |                                 |                                 |
| CDB-24-14   | 400  | 0.25   | 3781<br>5.8 / 0.17           | 2437<br>4.6 / 0.20              |                                 |                                 |                              |                                 |                                 |
| CDB-24-34   | 600  | 0.75   | 5687<br>12.0 / 0.56          | 5075<br>11.3 / 0.65             | 4002<br>9.4 / 0.65              |                                 |                              |                                 |                                 |
| CDB-24-02   | 800  | 2.00   | 7592<br>19.2 / 1.29          | 7141<br>19.2 / 1.40             | 6549<br>18.3 / 1.48             | 5847<br>17.5 / 1.52             | 4964<br>15.9 / 1.51          | 2975<br>16.1 / 1.26             |                                 |
| CDB-30-34   | 400  | 0.75   | 6553<br>7.1 / 0.51           | 5571<br>6.2 / 0.59              | 3674<br>5.0 / 0.53              |                                 |                              |                                 |                                 |
| CDB-30-32   | 500  | 1.50   | 8186<br>11.3 / 0.95          | 7425<br>10.4 / 1.08             | 6454<br>9.1 / 1.11              | 4953<br>8.1 / 1.06              |                              |                                 |                                 |
| CDB-30-02   | 600  | 2.00   | 9840<br>14.1 / 1.64          | 9212<br>14.2 / 1.81             | 8550<br>12.6 / 1.90             | 7701<br>11.2 / 1.93             | 6443<br>10.9 / 1.87          |                                 |                                 |
| CDB-30-03   | 700  | 3.00   | 11500<br>17.7 / 2.59         | 10944<br>17.6 / 2.79            | 10393<br>17.0 / 2.91            | 9841<br>15.8 / 3.00             | 9025<br>14.9 / 3.00          | 8054<br>13.9 / 3.00             | 6763<br>13.8 / 2.82             |
| CDB-36-34   | 300  | 0.75   | 8790<br>5.9 / 0.50           | 6827<br>5.0 / 0.61              |                                 |                                 |                              |                                 |                                 |
| CDB-36-32   | 400  | 1.50   | 11759<br>10.6 / 1.14         | 10441<br>9.6 / 1.34             | 8594<br>8.4 / 1.38              |                                 |                              |                                 |                                 |
| CDB-36-03   | 500  | 3.00   | 14700<br>15.5 / 2.20         | 13686<br>14.7 / 2.47            | 12514<br>13.7 / 2.63            | 10971<br>12.4 / 2.66            | 7759<br>12.4 / 2.31          |                                 |                                 |
| CDB-36-05   | 600  | 5.00   | 17654<br>21.0 / 3.77         | 16771<br>21.0 / 4.08            | 15903<br>19.8 / 4.35            | 14859<br>18.8 / 4.50            | 13638<br>18.0 / 4.56         | 12000<br>17.9 / 4.47            |                                 |

# CDD DIRECT DRIVE DOWNBLAST FANS

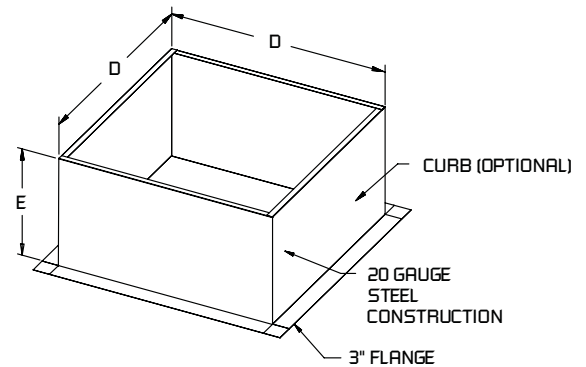
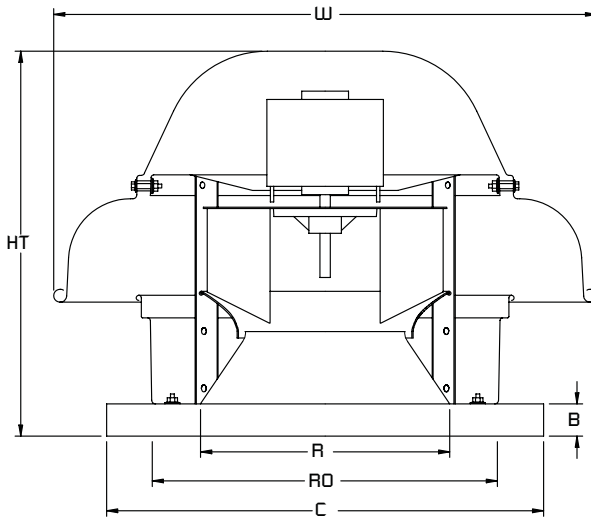
## FEATURES & BENEFITS

- Suitable for roof or wall mount
- Backward inclined, non overloading wheels
- Spun aluminum housing for weather resistant durability
- Wire conduit provides protected channel for electrical connections
- Blades and inlets fabricated from aluminum
- Bird screen
- Variable speed control
- 110 F max. temperature rating
- Available in 115V 1 phase



## ACCESSORIES / OPTIONS

- Gravity damper
- Motorized damper
- Wall mount sleeve
- Roof curb



| MODEL  | DIMENSIONS IN INCHES* |      |   |      |      |    |      |      |    | WT (LBS) | DAMPER SQUARE | MANUFACTURE CODE |
|--------|-----------------------|------|---|------|------|----|------|------|----|----------|---------------|------------------|
|        | HT                    | W    | B | C    | D    | E  | R    | RO   |    |          |               |                  |
| CDD-10 | 14.5                  | 20.8 | 2 | 19.0 | 17.5 | 12 | 8.1  | 8.1  | 13 | 12       | DR10H         |                  |
| CDD-12 | 16.3                  | 23.8 | 2 | 19.0 | 17.5 | 12 | 10.6 | 10.6 | 13 | 12       | DR12H         |                  |
| CDD-25 | 19.1                  | 26.3 | 2 | 21.0 | 19.5 | 12 | 12.1 | 12.1 | 16 | 15       | DR25H         |                  |
| CDD-30 | 19.1                  | 26.3 | 2 | 21.0 | 19.5 | 12 | 12.1 | 12.1 | 16 | 15       | DR30H         |                  |
| CDD-33 | 19.1                  | 26.3 | 2 | 21.0 | 19.5 | 12 | 12.1 | 12.1 | 16 | 15       | DR33H         |                  |
| CDD-50 | 21.8                  | 29.8 | 2 | 21.0 | 19.5 | 12 | 13.3 | 13.3 | 16 | 15       | DR50H         |                  |
| CDD-75 | 23.4                  | 33.3 | 2 | 24.8 | 23.0 | 12 | 14.9 | 14.9 | 20 | 19       | DR75H         |                  |
| CDD-85 | 23.4                  | 33.3 | 2 | 24.8 | 23.0 | 12 | 14.9 | 14.9 | 20 | 19       | DR85H         |                  |

\*DO NOT USE FOR CONSTRUCTION

CONSULT FACTORY FOR CERTIFIED PRINTS

# CDD DIRECT DRIVE DOWNBLAST FANS

| PERFORMANCE |      |           |                   |                   |                   |                   |                   |                   |                  |                 |                 |
|-------------|------|-----------|-------------------|-------------------|-------------------|-------------------|-------------------|-------------------|------------------|-----------------|-----------------|
| MODEL       | RPM  | MTR<br>HP | 0" S.P.           | 0.125" S.P.       | 0.25" S.P.        | 0.375" S.P.       | 0.50" S.P.        | 0.625" S.P.       | 0.75" S.P.       | 0.875" S.P.     | 1" S.P.         |
|             |      |           | CFM<br>SONE/BHP   | CFM<br>SONE/BHP   | CFM<br>SONE/BHP   | CFM<br>SONE/BHP   | CFM<br>SONE/BHP   | CFM<br>SONE/BHP   | CFM<br>SONE/BHP  | CFM<br>SONE/BHP | CFM<br>SONE/BHP |
| CDD-10      | 1000 | 0.07      | 338<br>3.1 / 0.02 | 259<br>3.1 / 0.02 | 166<br>3.1 / 0.02 |                   |                   |                   |                  |                 |                 |
| CDD-10      | 1100 | 0.07      | 371<br>3.7 / 0.02 | 300<br>3.7 / 0.02 | 226<br>3.7 / 0.02 | 111<br>3.7 / 0.02 |                   |                   |                  |                 |                 |
| CDD-10      | 1200 | 0.07      | 405<br>4.4 / 0.03 | 339<br>4.4 / 0.03 | 275<br>4.4 / 0.03 | 188<br>4.4 / 0.03 |                   |                   |                  |                 |                 |
| CDD-10      | 1300 | 0.07      | 439<br>5.2 / 0.04 | 378<br>5.2 / 0.04 | 319<br>5.2 / 0.04 | 250<br>5.2 / 0.04 | 155<br>5.2 / 0.04 |                   |                  |                 |                 |
| CDD-10      | 1400 | 0.07      | 473<br>6 / 0.05   | 416<br>6 / 0.05   | 361<br>6 / 0.05   | 303<br>6 / 0.05   | 227<br>6 / 0.05   | 122<br>6 / 0.05   |                  |                 |                 |
| CDD-10      | 1500 | 0.07      | 507<br>7.2 / 0.06 | 453<br>7.2 / 0.06 | 402<br>7.2 / 0.06 | 351<br>7.2 / 0.06 | 288<br>7.2 / 0.06 | 211<br>7.2 / 0.06 | 89<br>7.2 / 0.06 |                 |                 |
| CDD-10      | 1600 | 0.07      | 541<br>8 / 0.07   | 490<br>8 / 0.07   | 442<br>8 / 0.07   | 394<br>8 / 0.07   | 342<br>8 / 0.07   | 275<br>8 / 0.07   | 197<br>8 / 0.07  |                 |                 |

|        |      |      |                    |                    |                    |                    |                    |                    |                    |                    |  |
|--------|------|------|--------------------|--------------------|--------------------|--------------------|--------------------|--------------------|--------------------|--------------------|--|
| CDD-12 | 925  | 0.18 | 505<br>4.1 / 0.03  | 384<br>4.1 / 0.03  | 250<br>4.1 / 0.03  | 110<br>4.1 / 0.03  |                    |                    |                    |                    |  |
| CDD-12 | 1025 | 0.18 | 559<br>5.0 / 0.04  | 451<br>5.0 / 0.04  | 335<br>5.0 / 0.04  | 205<br>5.0 / 0.04  |                    |                    |                    |                    |  |
| CDD-12 | 1125 | 0.18 | 614<br>6.1 / 0.06  | 516<br>6.1 / 0.06  | 413<br>6.1 / 0.06  | 299<br>6.1 / 0.06  | 181<br>6.1 / 0.06  |                    |                    |                    |  |
| CDD-12 | 1225 | 0.18 | 668<br>7.3 / 0.08  | 578<br>7.3 / 0.08  | 486<br>7.3 / 0.08  | 385<br>7.3 / 0.08  | 276<br>7.3 / 0.08  | 171<br>7.3 / 0.08  |                    |                    |  |
| CDD-12 | 1325 | 0.18 | 723<br>8.6 / 0.10  | 640<br>8.6 / 0.10  | 555<br>8.6 / 0.10  | 465<br>8.6 / 0.10  | 369<br>8.6 / 0.10  | 267<br>8.6 / 0.10  | 172<br>8.6 / 0.10  |                    |  |
| CDD-12 | 1425 | 0.18 | 778<br>10.0 / 0.12 | 701<br>10.0 / 0.12 | 622<br>10.0 / 0.12 | 541<br>10.0 / 0.12 | 453<br>10.0 / 0.12 | 360<br>10.0 / 0.12 | 267<br>10.0 / 0.12 | 180<br>10.0 / 0.12 |  |

|        |      |      |                   |                   |                   |                   |                   |  |  |  |  |
|--------|------|------|-------------------|-------------------|-------------------|-------------------|-------------------|--|--|--|--|
| CDD-25 | 775  | 0.25 | 620<br>2.8 / 0.07 | 522<br>2.8 / 0.07 | 375<br>2.8 / 0.07 |                   |                   |  |  |  |  |
| CDD-25 | 875  | 0.25 | 701<br>3.8 / 0.10 | 617<br>3.8 / 0.10 | 506<br>3.8 / 0.10 |                   |                   |  |  |  |  |
| CDD-25 | 975  | 0.25 | 781<br>4.9 / 0.14 | 706<br>4.9 / 0.14 | 618<br>4.9 / 0.14 | 495<br>4.9 / 0.14 |                   |  |  |  |  |
| CDD-25 | 1075 | 0.25 | 861<br>5.8 / 0.19 | 793<br>5.8 / 0.19 | 719<br>5.8 / 0.19 | 624<br>5.8 / 0.19 | 491<br>5.8 / 0.19 |  |  |  |  |

|        |      |      |                     |                     |                     |                     |                     |                     |                    |                    |                    |
|--------|------|------|---------------------|---------------------|---------------------|---------------------|---------------------|---------------------|--------------------|--------------------|--------------------|
| CDD-30 | 1100 | 0.25 | 911<br>6.3 / 0.07   | 838<br>6.3 / 0.07   | 756<br>6.3 / 0.07   | 656<br>6.3 / 0.07   | 532<br>6.3 / 0.07   |                     |                    |                    |                    |
| CDD-30 | 1200 | 0.25 | 994<br>7.4 / 0.09   | 927<br>7.4 / 0.09   | 854<br>7.4 / 0.09   | 771<br>7.4 / 0.09   | 672<br>7.4 / 0.09   | 543<br>7.4 / 0.09   |                    |                    |                    |
| CDD-30 | 1300 | 0.25 | 1077<br>8.6 / 0.11  | 1015<br>8.6 / 0.11  | 950<br>8.6 / 0.11   | 880<br>8.6 / 0.11   | 793<br>8.6 / 0.11   | 698<br>8.6 / 0.11   | 568<br>8.6 / 0.11  |                    |                    |
| CDD-30 | 1400 | 0.25 | 1160<br>10 / 0.14   | 1103<br>10 / 0.14   | 1044<br>10 / 0.14   | 979<br>10 / 0.14    | 907<br>10 / 0.14    | 824<br>10 / 0.14    | 733<br>10 / 0.14   | 606<br>10 / 0.14   |                    |
| CDD-30 | 1500 | 0.25 | 1243<br>11.5 / 0.17 | 1190<br>11.5 / 0.17 | 1135<br>11.5 / 0.17 | 1076<br>11.5 / 0.17 | 1015<br>11.5 / 0.17 | 940<br>11.5 / 0.17  | 863<br>11.5 / 0.17 | 775<br>11.5 / 0.17 | 654<br>11.5 / 0.17 |
| CDD-30 | 1600 | 0.25 | 1326<br>13.1 / 0.21 | 1276<br>13.1 / 0.21 | 1225<br>13.1 / 0.21 | 1171<br>13.1 / 0.21 | 1114<br>13.1 / 0.21 | 1053<br>13.1 / 0.21 | 980<br>13.1 / 0.21 | 906<br>13.1 / 0.21 | 824<br>13.1 / 0.21 |

# CDD DIRECT DRIVE DOWNBLAST FANS

| PERFORMANCE |      |           |                     |                     |                     |                     |                     |                     |                    |                    |                    |
|-------------|------|-----------|---------------------|---------------------|---------------------|---------------------|---------------------|---------------------|--------------------|--------------------|--------------------|
| MODEL       | RPM  | MTR<br>HP | 0" S.P.             | 0.125" S.P.         | 0.25" S.P.          | 0.375" S.P.         | 0.50" S.P.          | 0.625" S.P.         | 0.75" S.P.         | 0.875" S.P.        | 1" S.P.            |
|             |      |           | CFM                 | CFM                 | CFM                 | CFM                 | CFM                 | CFM                 | CFM                | CFM                | CFM                |
|             |      |           | SONE/BHP            | SONE/BHP            | SONE/BHP            | SONE/BHP            | SONE/BHP            | SONE/BHP            | SONE/BHP           | SONE/BHP           | SONE/BHP           |
| CDD-33      | 1100 | 0.33      | 859<br>6.3 / 0.09   | 783<br>6.3 / 0.09   | 715<br>6.3 / 0.09   | 635<br>6.3 / 0.09   | 535<br>6.3 / 0.09   |                     |                    |                    |                    |
| CDD-33      | 1200 | 0.33      | 938<br>7.5 / 0.12   | 868<br>7.5 / 0.12   | 803<br>7.5 / 0.12   | 739<br>7.5 / 0.12   | 657<br>7.5 / 0.12   | 555<br>7.5 / 0.12   |                    |                    |                    |
| CDD-33      | 1300 | 0.33      | 1016<br>8.7 / 0.15  | 951<br>8.7 / 0.15   | 890<br>8.7 / 0.15   | 833<br>8.7 / 0.15   | 765<br>8.7 / 0.15   | 685<br>8.7 / 0.15   | 579<br>8.7 / 0.15  |                    |                    |
| CDD-33      | 1400 | 0.33      | 1094<br>10.1 / 0.19 | 1034<br>10.1 / 0.19 | 975<br>10.1 / 0.19  | 923<br>10.1 / 0.19  | 868<br>10.1 / 0.19  | 799<br>10.1 / 0.19  | 721<br>10.1 / 0.19 | 617<br>10.1 / 0.19 |                    |
| CDD-33      | 1500 | 0.33      | 1172<br>11.6 / 0.23 | 1116<br>11.6 / 0.23 | 1060<br>11.6 / 0.23 | 1010<br>11.6 / 0.23 | 961<br>11.6 / 0.23  | 904<br>11.6 / 0.23  | 839<br>11.6 / 0.23 | 763<br>11.6 / 0.23 | 667<br>11.6 / 0.23 |
| CDD-33      | 1600 | 0.33      | 1250<br>13.1 / 0.28 | 1198<br>13.1 / 0.28 | 1145<br>13.1 / 0.28 | 1097<br>13.1 / 0.28 | 1051<br>13.1 / 0.28 | 1004<br>13.1 / 0.28 | 945<br>13.1 / 0.28 | 884<br>13.1 / 0.28 | 812<br>13.1 / 0.28 |

|        |      |     |                     |                     |                     |                     |                     |                     |                     |                     |                     |
|--------|------|-----|---------------------|---------------------|---------------------|---------------------|---------------------|---------------------|---------------------|---------------------|---------------------|
| CDD-50 | 1050 | 0.5 | 1631<br>8.4 / 0.13  | 1510<br>8.4 / 0.13  | 1375<br>8.4 / 0.13  | 1210<br>8.4 / 0.13  | 1015<br>8.4 / 0.13  | 791<br>8.4 / 0.13   |                     |                     |                     |
| CDD-50 | 1150 | 0.5 | 1787<br>9.7 / 0.17  | 1677<br>9.7 / 0.17  | 1557<br>9.7 / 0.17  | 1426<br>9.7 / 0.17  | 1258<br>9.7 / 0.17  | 1074<br>9.7 / 0.17  | 866<br>9.7 / 0.17   |                     |                     |
| CDD-50 | 1250 | 0.5 | 1942<br>11.3 / 0.22 | 1841<br>11.3 / 0.22 | 1735<br>11.3 / 0.22 | 1618<br>11.3 / 0.22 | 1480<br>11.3 / 0.22 | 1323<br>11.3 / 0.22 | 1151<br>11.3 / 0.22 | 964<br>11.3 / 0.22  |                     |
| CDD-50 | 1350 | 0.5 | 2097<br>13 / 0.27   | 2004<br>13 / 0.27   | 1909<br>13 / 0.27   | 1801<br>13 / 0.27   | 1693<br>13 / 0.27   | 1550<br>13 / 0.27   | 1402<br>13 / 0.27   | 1243<br>13 / 0.27   | 1079<br>13 / 0.27   |
| CDD-50 | 1450 | 0.5 | 2253<br>14.8 / 0.34 | 2166<br>14.8 / 0.34 | 2078<br>14.8 / 0.34 | 1981<br>14.8 / 0.34 | 1880<br>14.8 / 0.34 | 1767<br>14.8 / 0.34 | 1635<br>14.8 / 0.34 | 1494<br>14.8 / 0.34 | 1346<br>14.8 / 0.34 |

|        |      |      |                     |                     |                     |                     |                     |                     |                     |                     |                     |
|--------|------|------|---------------------|---------------------|---------------------|---------------------|---------------------|---------------------|---------------------|---------------------|---------------------|
| CDD-75 | 775  | 0.75 | 1686<br>7.1 / 0.22  | 1532<br>7.1 / 0.22  | 1356<br>7.1 / 0.22  | 1141<br>7.1 / 0.22  |                     |                     |                     |                     |                     |
| CDD-75 | 875  | 0.75 | 1904<br>8.8 / 0.31  | 1768<br>8.8 / 0.31  | 1617<br>8.8 / 0.31  | 1449<br>8.8 / 0.31  | 1248<br>8.8 / 0.31  |                     |                     |                     |                     |
| CDD-75 | 975  | 0.75 | 2121<br>10.6 / 0.43 | 2000<br>10.6 / 0.43 | 1870<br>10.6 / 0.43 | 1729<br>10.6 / 0.43 | 1569<br>10.6 / 0.43 | 1384<br>10.6 / 0.43 | 1086<br>10.6 / 0.43 |                     |                     |
| CDD-75 | 1075 | 0.75 | 2339<br>12.7 / 0.57 | 2230<br>12.7 / 0.57 | 2116<br>12.7 / 0.57 | 1989<br>12.7 / 0.57 | 1859<br>12.7 / 0.57 | 1709<br>12.7 / 0.57 | 1540<br>12.7 / 0.57 | 1294<br>12.7 / 0.57 |                     |
| CDD-75 | 1175 | 0.75 | 2557<br>14.9 / 0.75 | 2457<br>14.9 / 0.75 | 2354<br>14.9 / 0.75 | 2243<br>14.9 / 0.75 | 2126<br>14.9 / 0.75 | 2001<br>14.9 / 0.75 | 1865<br>14.9 / 0.75 | 1712<br>14.9 / 0.75 | 1523<br>14.9 / 0.75 |

|        |      |      |                     |                     |                     |                     |                     |                     |                     |                     |                     |
|--------|------|------|---------------------|---------------------|---------------------|---------------------|---------------------|---------------------|---------------------|---------------------|---------------------|
| CDD-85 | 1150 | 0.75 | 2366<br>11.1 / 0.25 | 2251<br>11.1 / 0.25 | 2134<br>11.1 / 0.25 | 2003<br>11.1 / 0.25 | 1866<br>11.1 / 0.25 | 1703<br>11.1 / 0.25 | 1526<br>11.1 / 0.25 | 1331<br>11.1 / 0.25 | 1102<br>11.1 / 0.25 |
| CDD-85 | 1250 | 0.75 | 2572<br>12.8 / 0.33 | 2467<br>12.8 / 0.33 | 2359<br>12.8 / 0.33 | 2244<br>12.8 / 0.33 | 2122<br>12.8 / 0.33 | 1987<br>12.8 / 0.33 | 1837<br>12.8 / 0.33 | 1674<br>12.8 / 0.33 | 1499<br>12.8 / 0.33 |
| CDD-85 | 1350 | 0.75 | 2778<br>14.7 / 0.41 | 2681<br>14.7 / 0.41 | 2581<br>14.7 / 0.41 | 2480<br>14.7 / 0.41 | 2367<br>14.7 / 0.41 | 2254<br>14.7 / 0.41 | 2122<br>14.7 / 0.41 | 1984<br>14.7 / 0.41 | 1834<br>14.7 / 0.41 |

## ***Industrial Fan Division***

The Industrial Fan Division offers superbly crafted industrial fans and ventilators, expertly supported by a network of independent manufacturers' representatives.



*Panel Fans*

*Centrifugal Fans*

*Flange Fans*

*In-line Fans*

*Roof Ventilators*

*Iris Dampers*

## ***OEM Fan Division***

The OEM Fan Division works closely with original equipment manufacturers to meet their design requirements, offering in-stock fan components, 3D models and custom fan solutions.



*Cabinet Cooling Fans*

*Motorized Axials*

*Motorized Impellers*

*Centrifugal Fans*

*Axial Impellers*

*Centrifugal Impellers*

## ***Wholesale Products Division***

The Wholesale Products Division offers a superior line of in-stock commercial and residential ventilation products, available from wholesalers and distributors across North America.



*Bathroom Fans*

*Air Purification Systems*

*In-Line Duct Fans*

*External Mount Fans*

*Radial Blade Blowers*

*Exhaust Fans*

**USA**

[www.continentalfan.com](http://www.continentalfan.com)

Continental Fan Manufacturing Inc.  
203 Eggert Road, Buffalo, NY 14215  
Tel: (716) 842 0670 Fax: (716) 842 0611

**Canada**

[www.aeroflo.com](http://www.aeroflo.com)

Aeroflo Inc.  
12-205 Matheson Blvd. E., Mississauga, ON L4Z 3E3  
Tel: (905) 890 6192 Fax: (905) 890 6193

**CDB & CDD DOWNBLAST FANS**



COB/CDD-0807



## Free Manuals Download Website

<http://myh66.com>

<http://usermanuals.us>

<http://www.somanuals.com>

<http://www.4manuals.cc>

<http://www.manual-lib.com>

<http://www.404manual.com>

<http://www.luxmanual.com>

<http://aubethermostatmanual.com>

Golf course search by state

<http://golfingnear.com>

Email search by domain

<http://emailbydomain.com>

Auto manuals search

<http://auto.somanuals.com>

TV manuals search

<http://tv.somanuals.com>