

ESTRADA™ OWNER'S MANUAL

READ AND SAVE THESE INSTRUCTIONS!

Safety and the proper operation of your Casablanca fan both require a thorough knowledge of the product and proper installation; therefore, before attempting to install and operate your Casablanca fan, read this owner's manual completely and carefully. Retain this manual for future reference.

CAUTION: To avoid possible electrical shock, make certain that electricity is turned off at the circuit breaker or fuse box before attempting any installation procedure.

CONTENTS

INTRODUCTION.....	2
Before You Start	2
Safe Use	2
MOUNTING RECOMMENDATIONS	3
General Guidelines.....	3
Sloped Ceiling Installations	3
FAN INSTALLATION	4
Getting Started	4
Crossbar Mounting Bracket Installation.....	4
Lag Screw Installation (optional).....	5
Perma•Lock™ Hardware.....	5
Fan Preparation.....	5
Canopy Hardware.....	6
Canopy Installation	6
Hanging the Fan	6
Canopy Electrical Connections.....	7
Canopy Hatch Installation.....	7
Blade Installation.....	7
Remove Shipping Blocks	8
Blade/Blade Holder Installation.....	8
Remove Switch Housing Cap Screws	8
Install Switch Housing	9
Connect Wires	9
Install Switch Housing Cap Screws	9
3-Speed • Operation	10
3-Speed • Optional Light Fixture Installation	10
TROUBLESHOOTING TIPS.....	11
CARE RECOMMENDATIONS	12
PRODUCT SPECIFICATIONS	12
AUTHORIZED SERVICE CENTERS	13

INTRODUCTION BEFORE YOU START

- **CAUTION: RISK OF ELECTRICAL SHOCK!** Installation is to be in accordance with the National Electrical Code, ANSI/NFPA 70-1999, and local codes. All wiring must be performed in accordance with national and local electrical codes. If you are unfamiliar with the wiring codes, you should use a qualified electrician. To avoid overheating and possible damage to other equipment, do not install control to a receptacle, fluorescent light fixture, motor operated appliance, or transformer-supplied appliance.
- This fan is designed to be installed on an existing electrical outlet box. The outlet box must be UL Listed for ceiling fan installations. If it is not, a new box must be installed. Casablanca extension poles are available for sloped or high ceiling installations.
- This ceiling fan requires a grounded electrical supply of 120 VAC, 60 Hz and a minimum 15 amp circuit. The maximum current requirement for the fan with light fixture is 3 amps. The fan uses about 1 amp or 100 watts. Maximum light current is about 2 amps or 240 watts of lighting.
- Where wire nuts are employed, be sure all bare wires are within the connectors. When installing the canopy hatch, make sure all wires are within the canopy and that no wires are being pinched.
- **WARNING:** Do not bend the blade brackets when installing the brackets, balancing the blades or cleaning the fan. Do not insert foreign objects in between the rotating fan blades.
- **WARNING:** To reduce the risk of fire or electric shock, do not use this fan with any solid state speed control device. Use only the control provided with or recommended for this fan.

Unpacking

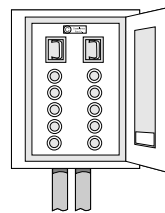
Before assembling and installing your ceiling fan, remove all parts from the shipping cartons and check them against the parts listed in the parts guide. Before discarding packaging material, be certain that all parts have been removed.

**For best performance and for your warranty to be valid,
use only genuine Casablanca blades, light fixtures, and accessories.**

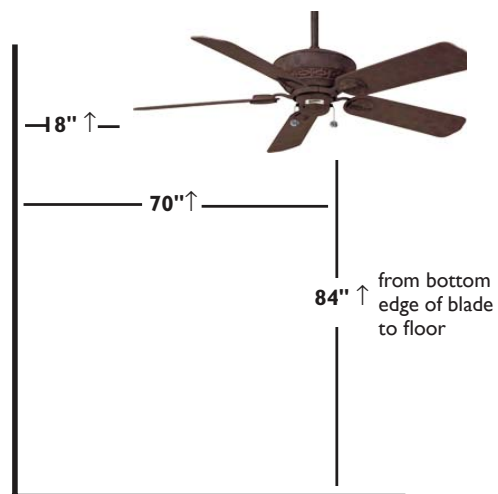
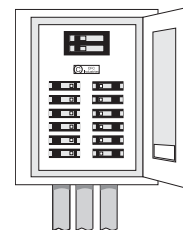
SAFE USE

- The blades in each pack are matched for equal weight to assure smooth fan operation. If more than one fan is being installed, be careful not to mix blades from different cartons.
- Inspect the contents of your carton for possible shipping or handling damage. If parts are missing or damaged, call 1-888-227-2178.
- It is always a good idea to have an assistant to help with the installation.
- When cleaning, painting, or working near your fan, be very careful of the fan and blades. Always turn the power OFF to the ceiling fan before working on it or replacing lightbulbs.
- Never insert anything into the path of the fan blades while the fan is in operation.
- Never install a fan over a pool or spa.
- Never operate a fan that has been damaged in anyway. Contact Casablanca Fan Company by calling 1-888-227-2178, or contact your local authorized Casablanca dealer for assistance in obtaining service.

Fuse Box
(Remove fuse for the
circuit you will be
working on)



Circuit Breaker
(Trip breaker for the
circuit you will be
working on)





MOUNTING RECOMMENDATIONS

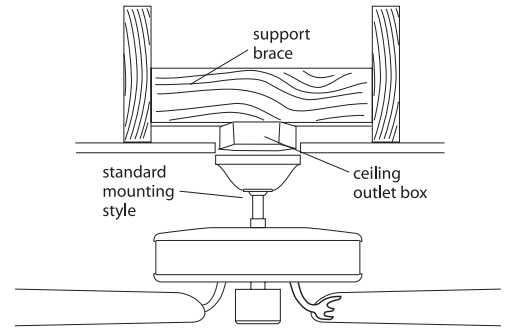
GENERAL GUIDELINES

Before mounting your Casablanca fan, read the following helpful recommendations. The location of the fan, air circulation, and fan size are all important factors to consider before installation.

Location

Ceiling fans have practical uses in almost every room in your home. We suggest you follow these mounting recommendations as you decide where to install your Casablanca fan.

- For safety reasons, the fan blades must be a minimum of 7' above the floor.
- Do not locate the fan in a doorway or above a swinging door.
- In bedrooms, fans work best when mounted above the foot of the bed.
- Over pool tables, be sure to provide plenty of clearance to avoid damage from pool cues.
- In kitchens be sure to allow for open cupboard doors to clear the fan blades.
- Do not install a fan close to or over a pool or spa. High humidity combined with corrosive gases will destroy the finish and warp the blades.



Fan Size

Variable fan speed capability permits the use of a full-size 52" fan even in smaller rooms. For very large rooms, two fans may be needed.

SLOPED CEILING INSTALLATIONS

SUGGESTED EXTENSION POLE LENGTHS	
Ceiling Height	Pole Length
8' 0"	standard
8' 6"	standard
9' 0"	6"
9' 6"	12"
10' 0"	12"
11' 0"	18"
12' 0"	24"
13' 0"	36"
14' 0"	48"

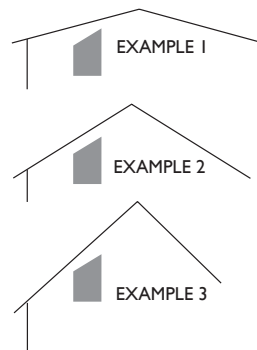
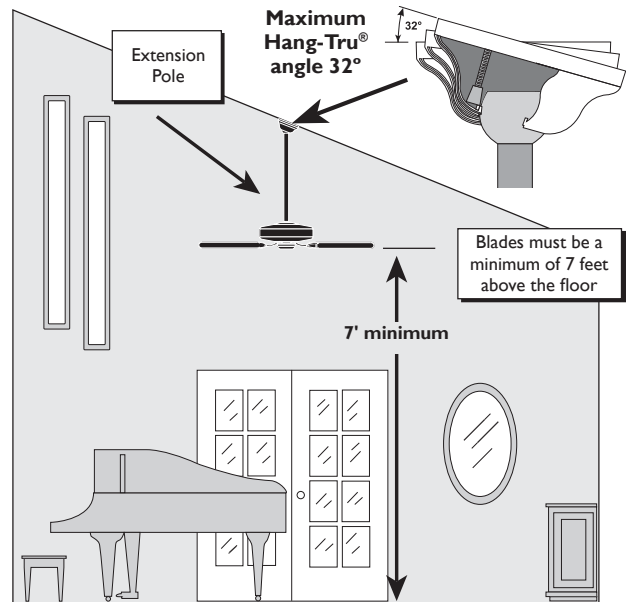
When to Use Extension Poles

For optimum performance and appearance, an extension pole should be used with your Casablanca fan when installing on high (cathedral) ceilings or sloped ceilings. Casablanca offers standard poles in increments of 6" up to 5'. Custom poles are available in lengths up to 9'9". See your Authorized Casablanca Dealer for details.

NOTE: Fan may wobble or vibrate if pole length is not long enough and inside blade is too close to downslope or side wall. Extending pole length will usually solve problem.

Calculation of Ceiling Angle

Use the tear-off *Ceiling Angle Template* card inserted in this manual. It provides you with a simple "go" or "no-go" for installing your fan on a sloped ceiling.



This slope is less than 32°. It is OK to install your fan.

This slope is 32°. This is the maximum slope that will allow the fan to hang straight down. It is OK to install your fan.

This slope is more than 32°. Your fan will not hang straight down, an adaptor is necessary. Contact your local Authorized Casablanca Dealer in regards to purchasing a "Sloped Ceiling Adaptor."

FAN INSTALLATION GETTING STARTED

Installing a New Ceiling Fixture Outlet Box

If you do not have an existing fixture located where you wish to place your Casablanca fan, an approved ceiling fixture outlet box must be installed and wired.

WARNING!

To reduce the risk of fire, electrical shock, or personal injury, mount to outlet box marked "Acceptable Fan Support of 22.7 kg (50 lbs.) or less" using the mounting hardware provided with the outlet box.

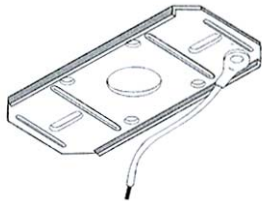
Using Existing Ceiling Fixture Outlet Box

After turning the power OFF at its source (either the circuit breaker or fuse box), lower the old fixture and disconnect the wiring. Check the ceiling fixture outlet box to be sure it is marked "Approved for Ceiling Fan Mounting." If it is not, a new box must be installed.

NOTE: The weight of this fan is 25 pounds.

CROSSBAR MOUNTING BRACKET INSTALLATION

CEILING HARDWARE (not to scale)



Crossbar Mounting Bracket



Wire Nut (4)

ADDITIONAL HARDWARE



NOTE: After removing the old fixture, check the outlet box to insure that it is supported by a joist or beam across its upper surface. If not, a 2 x 4 stud must be installed.

Step 1a. Remove the knockout plug in the center of the outlet box or drill a 1/2" hole for the lag screw to pass through. Then drill a 1/4" guide hole into the joist or beam to a depth of 3 inches.

Step 1b. Route the outlet box wires through the keyhole slot of the crossbar mounting bracket as shown. Attach the crossbar mounting bracket to the outlet box with the screws provided, making sure the outlet box wires are not pinched by the washer.

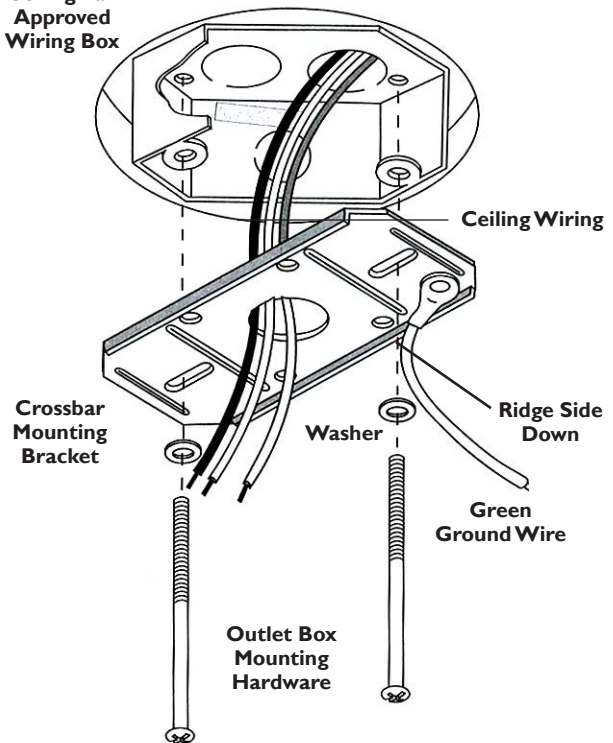
CAUTION:

To reduce the risk of personal injury, use only the mounting hardware provided with the approved outlet box to install the crossbar mounting bracket.

WARNING!

Support directly to building structure only.

Ceiling Fan
Approved
Wiring Box

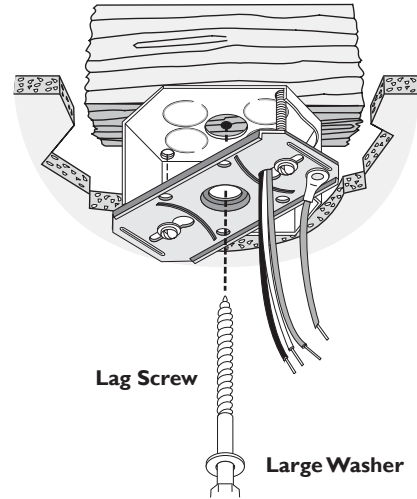




LAG SCREW INSTALLATION (OPTIONAL)

NOTE: This step is required only under two conditions: If the fan weighs 36 lbs. or more (which does not pertain to this fan) or if the existing ceiling fixture outlet box needs to be modified for a ceiling fan application (for example, if the house is not new construction and you are replacing an existing light fixture). We recommend that the ceiling box be of sufficient capacity to support the weight of the fan and light fixture under any conditions. If in doubt whether you need to install the lag screw, consult a qualified electrician.

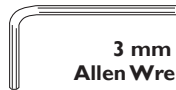
Step 2 (optional). With the large washer attached, pass the lag screw (Pack A) through the center hole of the crossbar mounting bracket and screw into the guide hole. Tighten until the outlet box is mounted firmly to the beam. This box must be secured to the ceiling firmly.



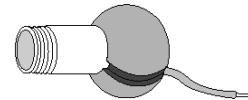
PERMA•LOCK™ HARDWARE



Allen Set Screw
1/4-20 x 1/4"
(Pre-installed)



3 mm Allen Wrench



Downrod & Ball Assembly

FAN PREPARATION

CAUTION:
Before trimming wires or installing the downrod, pull the wires on the bottom of the fan to assure they are all the same length as shown.



Important safety information!
Before starting the installation of your ceiling fan, install the threaded downrod into the motor coupling and lock the assembly.

Prepare for fan installation as follows:

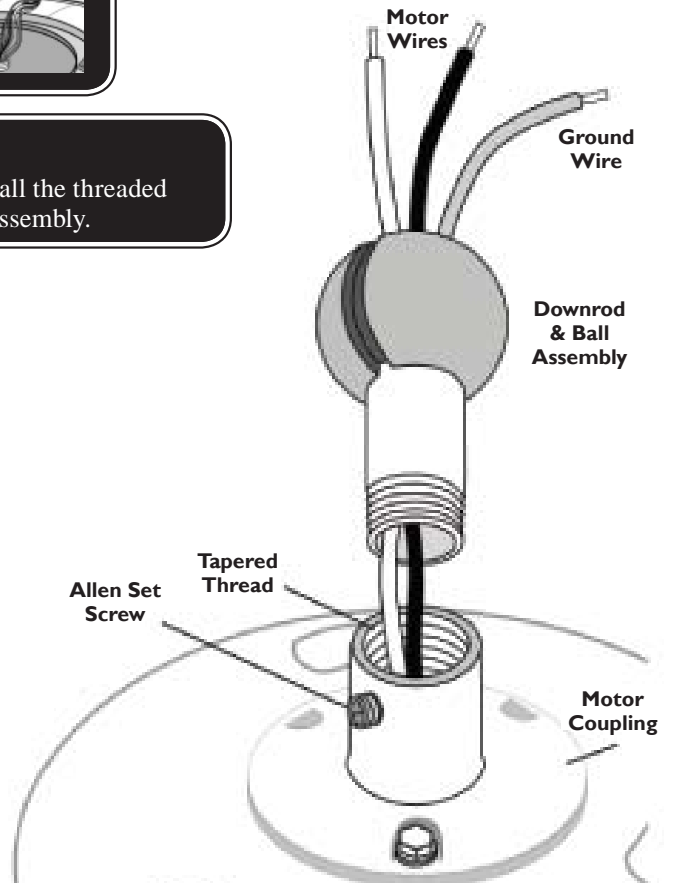
Step 3a. Route the wires from the motor through the Perma•Lock™ downrod and ball assembly.

TIP: The downrod has a tapered thread that is designed to lock completely when correctly installed.

Step 3b. Using the provided allen wrench, loosen the set screw several turns to allow installation of the downrod. Thread the downrod into the motor coupling until it stops turning. This will take at least four and a half full turns.

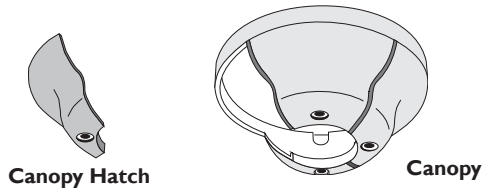
Step 3c. Securely tighten the set screw with the provided allen wrench to ensure safe operation of your fan.

CAUTION:
Failure to fully lock in the downrod before securely tightening the set screw may cause the fan to separate from the downrod during normal operation!



CANOPY HARDWARE

CANOPY HARDWARE (not to scale)



Canopy Screw (5)

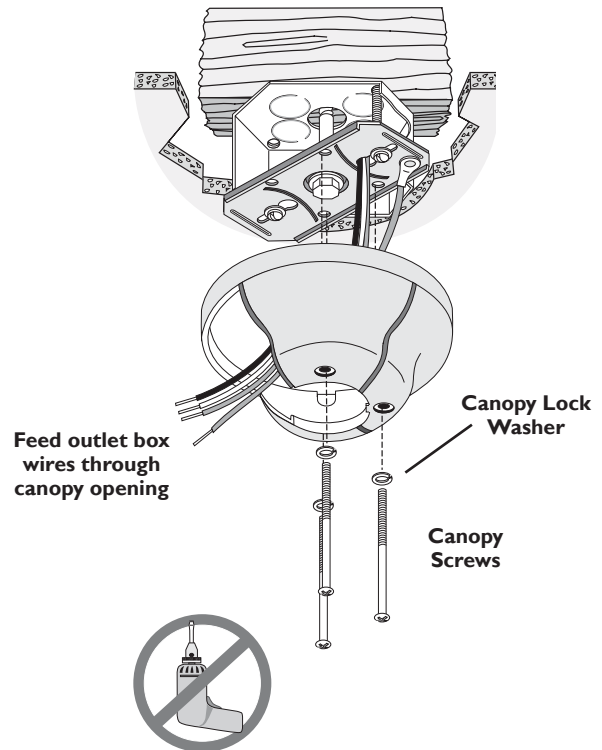


Canopy Lock Washer (5)

CANOPY INSTALLATION

Step 4. Attach the canopy to the crossbar mounting bracket with three of the 8-32 x 2-1/4" long canopy screws and lock washers provided with your Casablanca fan. Hand tighten until snug against the ceiling.

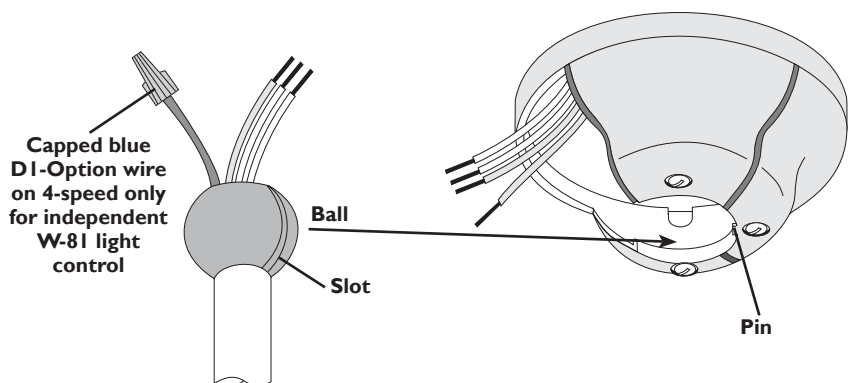
NOTE: On sloped ceilings, align the canopy opening toward the top or peak of the room.



HANGING THE FAN

Step 5. To hang the fan body in the canopy, hold the fan body firmly and insert the ball into the canopy opening. Check that no wires were pinched. Rotate the fan body until the slot in the nylon ball fits into the pin opposite the canopy opening.

NOTE: Independent control of the light fixture using a W-81 requires an additional power wire run from the wall switch to the fan. See **Page 7** for wiring.



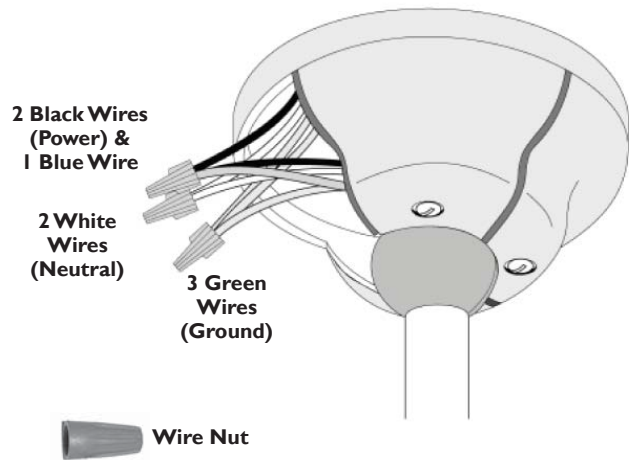


CANOPY ELECTRICAL CONNECTIONS

Step 6a. Attach the fan wires to the ceiling fixture outlet box wiring by placing the bare ends of the wires side by side and then securing with a wire nut. Test that the connection is secure by pulling on the wire nut. Connect in this order:

Step 6b. Pull-chain Connections

- **GREEN** leads from mounting plate and fan to **GROUND** conductor of power source. Secure with wire nut.
- **WHITE** wire from fan to white **NEUTRAL** wire in ceiling fixture outlet box. Secure with wire nut.
- **BLUE** wire and **BLACK** power wire from fan to **BLACK** power wire in ceiling outlet box. Secure with wire nut.



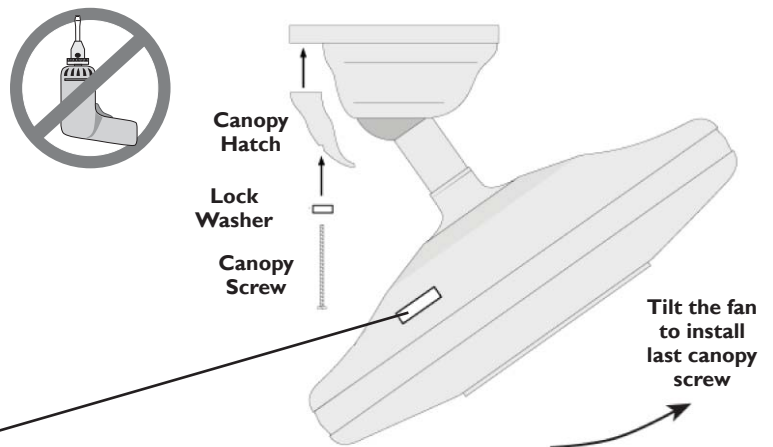
CANOPY HATCH INSTALLATION

Step 7. Tuck the wires into the canopy with the wire nuts pointed upwards, so that the **WHITE** and **BLACK** wires are on opposite sides of the canopy and all wires are clear of the canopy opening.

Step 8a. Install canopy hatch with the last canopy screw and lock washer. To do this, tilt the fan body away from the hatch opening. Tighten the screws firmly by *hand* only.

Step 8b. Straighten the fan, then check to ensure that there is no movement between the canopy and ceiling or Hang-Tru ball and top support shaft.

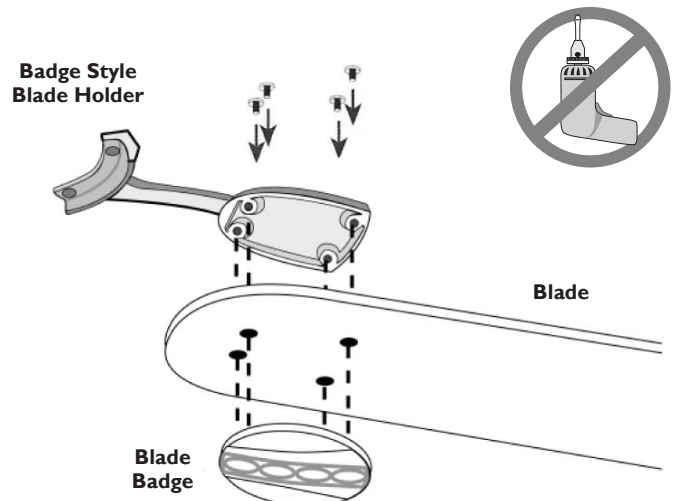
NOTE: Write down the Serial Number and the model number for future reference.



BLADE INSTALLATION

Step 9. Attach the blades to the blade holders by first pressing the blade badge into the blade, then installing the blade holder using the four blade screws provided for each blade.

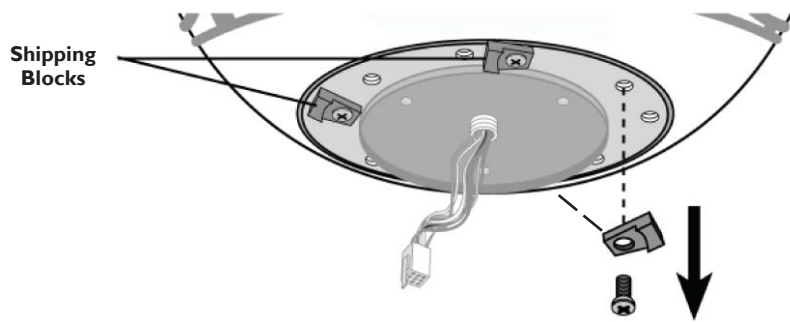
Using the screwdriver, tighten securely by hand.



REMOVE SHIPPING BLOCKS

Step 10. On the flywheel remove the five shipping blocks by unscrewing the screws. Set these screws aside for installing the blades in **Step 11**.

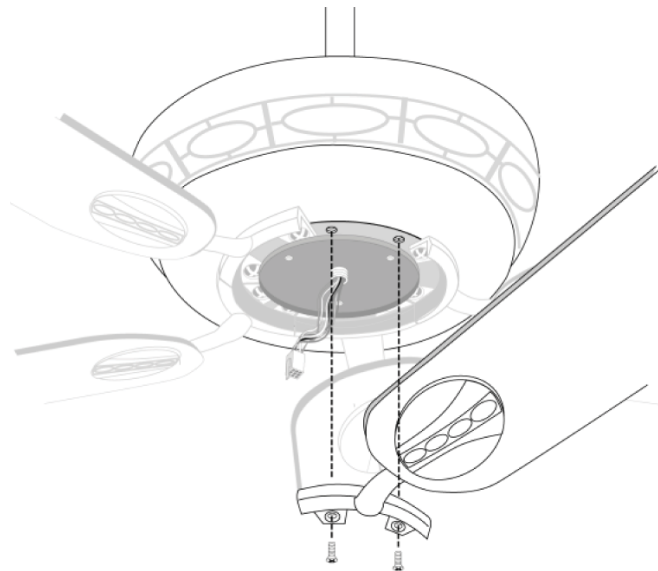
Discard the five shipping blocks.



BLADE/BLADE HOLDER INSTALLATION

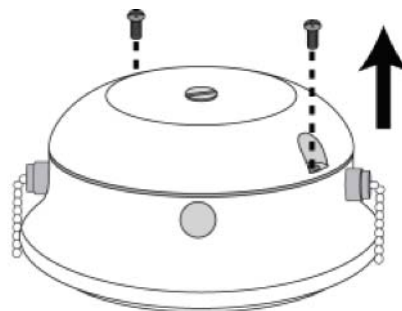
Step 11. Using the five screws removed in **Step 10**, and the five additional screws from the pack, attach each blade/blade holder assembly to the motor.

Using the screwdriver, tighten securely by **hand** only.



REMOVE SWITCH HOUSING CAP SCREWS

Step 12. Remove the two screws of the switch housing cap. Set the cap and screws aside for use in **Step 15**.



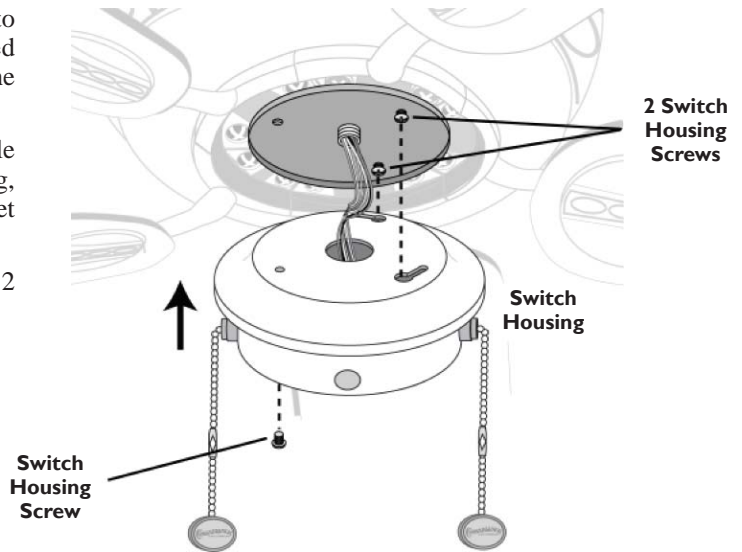


INSTALL SWITCH HOUSING

Step 13. Install 2 of the 3 switch housing screws onto the fan adapter plate, leaving 1/8" threads visible. Feed the wire connector from the fan through the center of the switch housing.

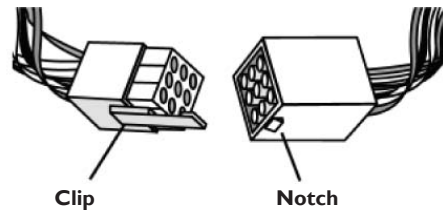
Align the 2 screws on the adapter plate with the keyhole slots of the switch housing. Raise the switch housing, pulling on the fan wire connector to assure no wires get pinched.

Turn the switch housing counter clockwise, engaging the 2 screws. Install the third screw and tighten all 3 screws.



CONNECT WIRES

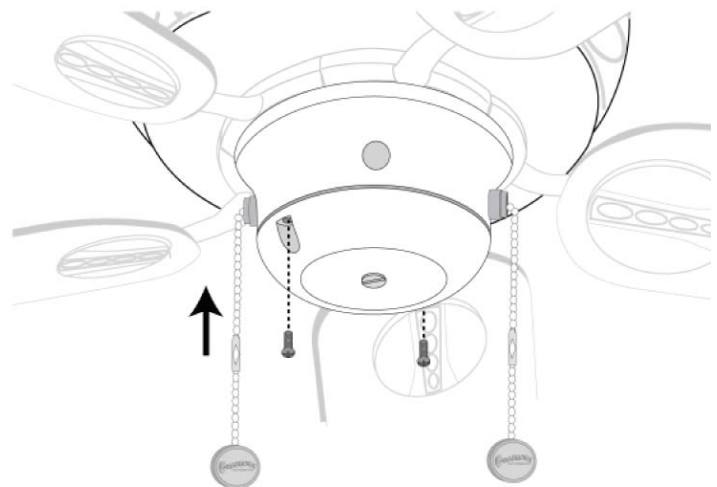
Step 14. Plug the wire connector for the fan into the wire connector for the switch housing. Assure that the clip from the fan connector engages the notch on the switch housing connector.



INSTALL SWITCH HOUSING CAP SCREWS

Step 15. If you are installing a light fixture, please refer to the “3-Speed Optional Light Fixture Installation” on the next page.

If no light fixture is being installed, carefully push the wires and components back into the switch housing. Align the guiding pegs of the cap to the non-threaded holes of the switch housing. Reinstall the switch housing cap screws removed in **Step 12**.

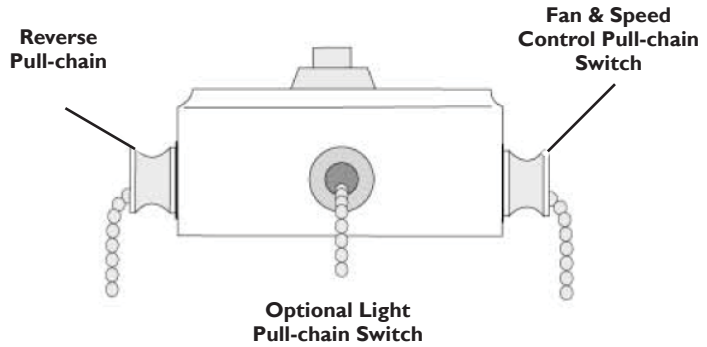


3-SPEED • OPERATION

Pull-chain switches on the fan control the fan and reverse. Using the fan control pull-chain switch: Fan off at start.

- First pull: fan ON, low speed
- Second pull: medium speed
- Third pull: high speed
- Fourth pull: fan OFF

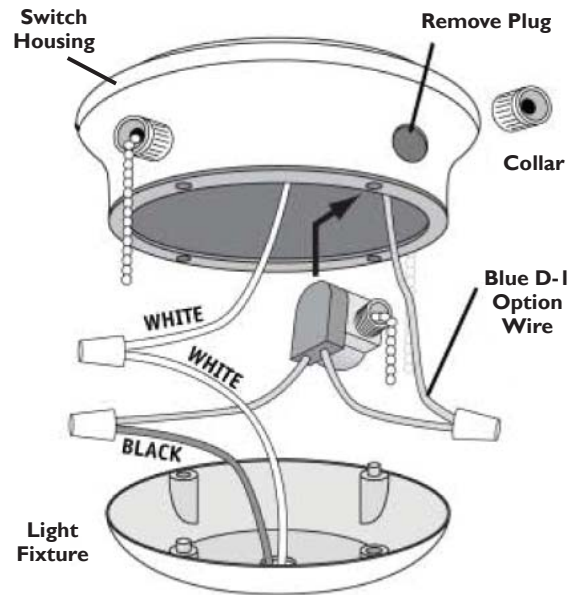
Direction of blade rotation is controlled by the reverse pull-chain on the side of the switch housing. No changes in household wiring are required.



3-SPEED • OPTIONAL LIGHT FIXTURE INSTALLATION

NOTE: If a separate circuit is used to control the lights from a wall control, the BLUE D1-Option wire in the canopy should be connected to that switch leg with the BLACK fan power wire.

1. Refer to light kit instructions to assemble and attach your light kit correctly.
2. Remove the two 8-32 screws from the switch housing cap.
3. Remove the plug from switch housing.
4. Install pull-chain switch and finger tighten collar on switch.
5. Connect one wire from pull-chain switch to the BLUE D1-Option wire. Secure splice with a wire nut.
6. Connect other wire from pull-chain switch to BLACK wire from light kit. Secure splice with a wire nut.
7. Connect WHITE wire from switch housing to WHITE wire from the light kit. Secure splice with a wire nut.
8. At the canopy, connect the BLACK and BLUE wires.



PERFORMANCE AND ENERGY INFORMATION



Fan Speed	Airflow (CFM)*	Power Use (watts)	Airflow Efficiency (CFM/watt)
Low	1864	10	185
Med	4117	33	125
High	7126	82	87

* Measured according to the ENERGY STAR®-approved Solid State test method.

Ceiling fan airflow is measured in cubic feet per minute (CFM). Power use is measured in watts. To maximize energy savings,

- Choose a fan with high airflow efficiency (CFM/watt).
- Use ENERGY STAR®-labeled lighting in your fan.
- Remember to switch off your fan when you leave the room.



TROUBLESHOOTING TIPS

Please refer to this troubleshooting guide before requesting service or contacting your dealer for assistance.

PROBLEM	POSSIBLE REMEDIES
Fan will not start	<ul style="list-style-type: none"> • Check the main circuit fuses, circuit breakers, and wall switch position. Check all wire connections. Make sure the power is turned off during this inspection. • Check that reverse switch is not set in center of throw.
Fan wobbles or shakes excessively	<ul style="list-style-type: none"> • Be sure the canopy pin is set properly into the slot on the ball. • Check that the bladeholders have not been bent during installation and the blades are balanced. • Screws for bladeholders to motor are tight. • The hanger bracket and/or the ceiling outlet are attached too loosely. Make sure the hanger bracket is attached tightly to the ceiling outlet box and the downrod assembly is secured firmly. • The downrod is attached to the downrod base too loosely. Make sure all the screws are securely tightened. • Screws for blades are tight.
Fan is noisy during operation	<ul style="list-style-type: none"> • Check and tighten the light fixture retaining screws, glass shade screws, and/or lightbulb(s). • Tighten the canopy screws and mounting plate assembly. Make sure the wire nuts inside the canopy and switch housing are not touching the metal parts and that they have not fallen off the wire splices. Tighten as necessary. • Tighten the blade holders to the flywheel (or direct drive motor) and the blade to the bladeholder screws. • Make sure all the screws in the motor housing are snug but not overly tight.
Fan does not run on low speed	<ul style="list-style-type: none"> • If fan is new, it may need to be “broken in.” Run at high speed for several days.
Light works, but fan does not work	<ul style="list-style-type: none"> • The fan wires are not connected properly. Follow the instructions in Step 7.
Fan works, but light does not work	<ul style="list-style-type: none"> • The light socket is broken. Replace the socket. • A lightbulb is defective. Replace the lightbulb.
Fan will not operate at proper speeds or will not operate at any speed	<ul style="list-style-type: none"> • Defective three-speed pull-chain switch assembly • Defective capacitor; replace three-speed pull chain switch assembly or replace PCB assembly
Fan runs slowly in either direction if rotation is started by hand; will not reverse	<ul style="list-style-type: none"> • Defective reverse switch • Defective capacitor • Open motor winding: replace reverse switch assembly, PCB assembly, or motor unit

CARE RECOMMENDATIONS

Fan Finishes

- For cleaning, a soft brush or lint-free cloth should be used to prevent scratching the finish.
- A vacuum cleaner brush nozzle can remove heavier dust.
- Surface smudges or an accumulation of dirt and dust can be removed easily using a mild detergent and slightly dampened soft cloth. An antistatic agent may be used, but *never use abrasive cleaning agents* as these will damage the finish.

Blades

- Wood-finish blades should be cleaned with a furniture polishing cloth. Occasionally, a light coat of furniture polish may be applied for added protection and beauty.
- For painted, high-gloss or plastic blades (ABS), surface smudges or an accumulation of dirt and dust can be removed easily using a mild detergent and slightly dampened soft cloth. An antistatic agent may be used, but *never use abrasive cleaning agents* as these will damage the finish.

No Need for Lubrication

- *Never lubricate this fan!* The precision motor at the heart of your Casablanca fan features sealed bearings that are lubricated for life.
- Do not attempt to oil the motor.

Changing Lightbulbs

- Be sure to turn the power to OFF at the wall switch or circuit breaker before changing lightbulbs.
- Replace bulbs with the same type as you removed from the light fixture.
- The maximum wattage rating for this fan's light kit is 240 watts.

For questions or to locate the nearest Casablanca Authorized Service Center call toll free: 1-888-227-2178 or visit us on the Web at: www.casablancafanco.com

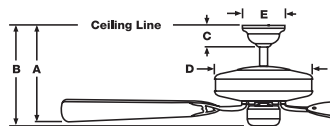
PRODUCT SPECIFICATIONS

Model Name: Estrada™
Model Number: 47XXD

Dimensions: A = 13"
B = 13.75"
C = 3"
D = 12"
E = 5.6"

NOTE: Dimension B measurement to bottom of switch housing.

Weight: 25 lbs.



Motor: 188 x 20mm Direct Drive™
Blade Span: 52"
Blade Iron Pitch: 15°
No. of Blades: 5
Technology: 3-Speed



AUTHORIZED SERVICE CENTERS

STATE/CITY	ZIP	SERVICE CENTER NAME	PHONE	TYPE
ALABAMA				
MOBILE	36618	AZALEA CITY SERVICE CENTER	251-341-0663	
TUSCALOOSA	35405	LTG. & APPL./LIGHTING PLUS	205-345-8900	
ALASKA				
ANCHORAGE	99518	BERING SEA ECCOTECH	907-227-3171	
ARIZONA				
TUCSON	85735	DESERT BREEZE FAN & ELEC.	520-623-4646	
PHOENIX	85019	FAN-TASTIC ELECTRIC	602-866-1090	
GREEN VALLEY	85614	GOBLE ELECTRIC	520-625-4938	
SEDONA	86336	OAK CREEK AUDIO	928-282-5625	
SCOTTSDALE	85254	VANDERVOORT ELECTRIC INC.	602-996-9637	
PHOENIX	85032	THE BRASSWINDS SHOPPE	602-482-1881	
YUMA	85364	CURLEY'S LITEHOUSE	520-782-4353	
MESA	85204	GALLERY OF FANS	480-962-0477	
TUCSON	85716	ILLUMINATIONS	520-325-3031	OWTS
YOUNGTOWN	85363	QUALITY HOME FAN DOCTOR	602-274-6649	
TUCSON	85711	SUN LIGHTING CO.	520-322-4303	OWTS
ARKANSAS				
LITTLE ROCK	72212	THE RANDY HALL CO. INC.	501-227-9915	
CALIFORNIA				
SANTA ROSA	95404	ASEF'S APPLIANCE SERVICE	707-575-3737	
GRASS VALLEY	95945	ACCENT LIGHTING	530-477-5483	ISO
JAMESTOWN	95327	DASILVA'S LAMP & CEILING	209-984-4035	
SACRAMENTO	95821	ENERGY SOLUTIONS	888-410-3189	
SANTA MARIA	93455	EVER-READY ELECTRIC	805-934-7091	
SCOTT'S VALLEY	95066	FISHER ELECTRIC INC.	831-430-9694	
AUBURN	95603	THE FAN DOCTOR	530-823-8768	
FRESNO	93704	LARRY MC COLLUM	559-438-5764	
NEWHALL/SANTA CLARITA	91321	DAN MARTIN	805-252-5769	
CLOVIS	93612	OMEGA SERVICE INC.	559-299-0495	ISO
BAKERSFIELD	93309	RB ELECTRIC & LTG.	805-831-2438	
SAN MARCOS	92069	RD ELECTRICAL CONTR.	760-727-1215	
STOCKTON	95205	RISSE ELECTRIC INC.	209-466-0781	
SHINGLE SPRINGS	95682	JOHN ROZOWSKI CONST.	530-677-3850	
CATHEDRAL CITY	92234	R & R SERVICE	760-324-2942	
PLEASANTON	94588	S & L LIGHTING SERVICES	925-895-3762	
RIVERSIDE	92505	VERNE SMITH	951-687-9552	
TEMECULA	92592	TAB ELECTRIC	951-303-0850	
SO. LAKE TAHOE	96150	TAHOE POOL SERVICE	530-541-4958	
VALENCIA	91354	FANTASTIC FAN SERVICE	800-800-3871	
SAN JOSE	95123	SAL ZAMORA'S FAN REPAIR	510-742-5560	
SACRAMENTO	95819	A & A LIGHTING	916-452-7641	ISO
TULARE	93274	ANCHOR LIGHTING	209-688-0696	OWTS
FRESNO	93710	ENERGY HOUSE	559-432-1500	ISO
SAN MARCOS	92069	FAN DIEGO	760-743-3267	ISO
SAN DIEGO	92111	FANDIEGO	619-292-9244	ISO
RANCHO MIRAGE	92270	FANDIEGO	760-779-9916	ISO
MURRIETA	92562	FANDIEGO	951-600-7867	
ISO/OWTS				
FOLSOM	95630	FOLSOM LIGHTING CO.	916-983-5575	
BAKERSFIELD	93306	HILLCREST LTG.-GALPIN INT	661-324-0649	
SAN FRANCISCO	94109	HOUSE OF FANS INC.	415-885-1947	ISO
TARZANA	91356	HYE LIGHTING CO.	818-345-5544	
ISO/OWTS				
CHICO	95928	J&J LIGHTING INC.	530-342-1815	ISO
FRESNO	93711	JAMES & CO LTG.	209-486-7900	
ISO/OWTS				
MANTECA	95336	MANTECA LIGHTING	209-823-1999	ISO
MISSION VIEJO	92691	MOORE'S MISSION	714-859-7090	
ISO/OWTS				
REDDING	96002	NORTH VALLEY LIGHTING	530-221-6277	
ISO/OWTS				
CERRITOS	90703	COMFORTS OF HOME	562-865-6666	ISO
MODESTO	95350	PHILLIPS ELECTRIC CO.	209-524-6287	OWTS
SAN RAFAEL	94901	RAFFLES	415-456-6660	ISO
SANTA CRUZ	95062	RIVERSIDE LIGHTING	831-423-7411	ISO
HUNTINGTON BEACH	92647	THE TRADING POST	714-848-4353	
SAUGUS	91350	VALLEY BREEZE FAN CO	800-339-3267	OWTS
COLORADO				
LONGMONT	80504	LA ENTERPRISES	800-299-0222	
DENVER	80229	M.D ELECTRIC	303-288-7988	
COLORADO SPGS	80903	HOME LIGHTING INC.	719-471-3520	OWTS
FORT COLLINS	80525	THE LIGHT CENTER	970-226-3430	OWTS

STATE/CITY	ZIP	SERVICE CENTER NAME	PHONE	TYPE
CONNECTICUT				
NEW HARTFORD	06057	B.W. MORSE & SONS.INC.	860-379-9855	
BRIDGEPORT	06605	FEDERAL ELECTRIC CONST.CO.	203-334-6455	
CLINTON	06413	GRAHAM CO.	800-942-5575	
EAST HARTFORD	06118	GRAHAM CO.	800-942-5575	
WOODSTOCK	06281	RANDY MATTEAU	860-963-8979	
WILLINGTON	06279	GEORGE OPALENIK	860-684-4558	
HARTFORD	06114	CONNECTICUT LTG. CTR. INC.	860-249-7631	ISO
GREENWICH	06830	FASHION LIGHT CENTER	203-869-3098	ISO/OWTS
NEW HAVEN	06534	NEW GRAND LIGHT	203-777-5781	ISO
DELAWARE				
WILMINGTON	19809	CHIEFFO ELECTRIC INC.	302-764-5000	
DOVER	19901	BRUCE DRAJEM/ THE FAN MAN	302-734-7737	
NEW CASTLE	19720	ERIC SHURR	302-998-5147	
FLORIDA				
WINTER HAVEN	33880	ALL ABOUT FANS & LIGHTING	863-299-9593	
GAINSVILLE	32608	AUTHORIZED APPLIANCE SERV.	352-375-3886	ISO
S. DAYTONA	32119	BOB'S FIX-IT	386-761-4055	
BOCA RATON	33433	MARTIN CARTER	561-756-4739	
BOYNTON BCH	33437	C M S	561-736-0170	
BONITA SPRINGS	34135	GOODWIN ELECTRIC	239-649-8880	
SPRINGHILL	34606	FAN DOCTOR	352-683-4428	
DAVIE	33330	LASERLAND INC.	854-558-3743	
NOKOMIS	34275	GRAHAM ELECTRICAL CONTR.	941-486-8190	
CORAL GABLES	33134	MICHAEL HANSEN	305-444-4111	
MAITLAND	32751	HENRY ELECTRIC CO.	407-834-4032	
TARPON SPRINGS	34689	PETER LONTAKOS	727-938-8895	
PUNTA GORDA	33982	SELECT SERVICE & REPAIR	941-637-7850	
TALLAHASSEE	32303	JIM LACZKO/TODAY'S KIDS	850-562-4661	
PORT CHARLOTTE	33952	JACKSONS LIGHTING INC.	941-625-0044	OWTS
NAPLES	34109	WILSON LIGHTING OF NAPLES	941-592-6006	OWTS/ISO
GEORGIA				
CANTON	30114	I CAN FIX IT 4 U	678-493-0150	
GRAYSON	30017	RG TENNEY ELECTRIC	770-378-9255	
HAWAII				
KIHEI	96753	FANS ETC?	808-875-6347	
KAILUA KONA	96740	KU'S ELECTRONIC SVC.	808-329-4346	
HILO	96720	BAY LIGHTING & DESIGN	808-961-5688	
AIEA	96701	THE FAN SHOP. INC.	808-488-1221	OWTS
KAILUA KONA	96740	KONA COAST HOUSE OF LTS. INC.	808-329-0748	
IDAHO				
MERIDIAN	83642	S-K ELECTRIC, INC.	208-941-6264	
IDAHO FALLS	83402	HOME LIGHTING	208-523-2300	
ILLINOIS				
CENTRALIA	62801	BAKER APPLIANCE REPAIR	618-532-8437	
CHICAGO	60630	D & S FAN SPECIALTIES INC.	847-824-2430	
PRINCETON	61356	ELMORE ELECTRIC INC.	815-643-2354	
CHAMPAIGN	61821	TERRY GOBBLE	217-384-5891	ISO
SMITHTON	62285	JOHN HASENSTAB	618-236-3018	
NORMAL	61761	KIRK SMALL APPLIANCE	309-452-5248	ISO
FRANKFORT	60423	KKA SERVICES	815-464-6714	
WEST CHICAGO	60185	TMR ELECTRIC, INC.	630-231-2848	
CORNLAND	62519	DELMAR VEECH	217-364-4121	
QUINCY	62301	HEINTZ LIGHTING CENTER	217-223-0101	
TRENTON	62293	LITE BRITE DIST	618-224-7314	
YORKVILLE	60560	UNIFIED SUPPLY INC.	630-553-0660	
INDIANA				
EVANSVILLE	47711	MICHAEL BAXTER	812-453-6498	
FORT WAYNE	46805	CARL J. SMITH	260-484-7295	
GREENFIELD	46140	D & D REPAIR	317-467-0600	
VALPARAISO	46383	D & K ELECTRIC	219-464-7576	
INDIANAPOLIS	46222	INDIANA LTG. CTR.INC.	317-293-9333	ISO

TYPES OF SERVICE OFFERED:
 IHS = IN-HOUSE SERVICE ISO = IN-SHOP ONLY OWTS = SERVICES ONLY WHAT THEY SELL

STATE/CITY	ZIP	SERVICE CENTER NAME	PHONE	TYPE
IOWA				
CEDAR RAPIDS	52404	ACME ELECTRIC COMPANY	319-365-8677	
SIoux CITY	51106	DIVERSIFIED ELECTRONICS	617-276-1034	
SIoux CENTER	51250	HILLS HOME SYSTEMS	712-722-2539	
MONTICELLO	52310	REM ELECTRIC INC.	319-465-3346	
DES MOINES	50311	ADVANCED LIGHTING	515-255-5009	OWTS
CARROLL	51401	J & L ELECTRIC INC.	712-792-2444	ISO
CORALVILLE	52241	RALSTON CREEK	319-351-2189	OWTS/ISO
DAVENPORT	52803	SHAW ELECTRIC INC.	563-323-3611	
KANSAS				
EMPORIA	66801	C. A.P.	620-342-0448	
OVERLAND PARK	66213	KAL ELECTRIC INC.	913-897-6767	
OVERLAND PARK	66210	RANDY RUSSELL	913-338-5330	
WICHITA	67226	ACCENT LTG INC.	316-636-1278	
MANHATTAN	66502	ENDACOTT LIGHTING	785-776-4472	ISO
LENEXA	66215	RENSH HOUSE OF LIGHTS	913-888-0888	ISO
SALINA	67401	SALINA APPL. SHOWROOM	785-827-1420	
OVERLAND PARK	66223	WESTERN CHANDELIER CO.	913-685-2000	
OVERLAND PARK	66212	WILSON FANS & LIGHTING	913-642-1500	
KENTUCKY				
LOUISVILLE	40205	KAELENS INC.	502-454-8938	
LOUISIANA				
HOUMA	70363	GULF SOUTH ARMATURE	985-872-0486	
BATON ROUGE	70815	TOTAL HOME SERVICE	225-272-7725	ISO
NEW IBERIA	70560	WALET'S INC.	318-364-7486	ISO
LAKE CHARLES	70601	JOSEPH'S ELECTRICAL CENTER	318-436-4930	
METAIRIE	70006	ROMAINE'S	504-887-7077	
MAINE				
SOUTH PORTLAND	04106	T. A. NAPOLITANO	207-799-0538	
MARYLAND				
FREDERICK	21704	GL FAN SERVICE	301-831-4925	
WHITE HALL	21161	BT ELECTRIC/BILL TYRRELL	410-329-6353	
MASSACHUSETTS				
S. ATTLEBORO	02703	AJ ELECTRIC	508-761-5021	
BRIDGEWATER	02324	BILTCLIFFE ELECTRIC	508-697-7630	ISO
W SPRINGFIELD	01089	JALBERT ELECTRIC	413-734-4976	
BELMONT	02478	H.O ELECTRIC	617-489-6324	
NATICK	01760	J.G. ELECTRIC CO INC.	508-653-3042	ISO
DANVERS	01923	PLAZA LIGHTING	978-774-7801	ISO
DENNIS	02638	RICK SEXTON	508-385-7536	
WORCESTER	01603	EDWARD A. TORTORA	508-755-3735	
NEW BEDFORD	02740	VANDER ELECTRIC	508-993-6383	ISO
ORLEANS	02653	ASSOC. ELECTRICAL SERVICE	508-255-4589	ISO
MICHIGAN				
BELLEVILLE	48111	MIKE AYERST	734-699-9698	
LANSING	48906	INTEGRITY ELECTRIC	517-484-0300	
LANSING	48917	LARGENT ENTERPRISES INC.	517-627-4229	
TRAVERSE CITY	49686	LIGHTING AND FAN SERVICE	231-938-1332	
HOWELL	48855	LIGHTNING ELECTRIC INC. CO	810-227-3375	
WARREN	48088	ZUBE CONSTRUCTION LLC	586-574-0701	
BIRMINGHAM	48009	21ST CENTURY ELECTRIC	248-645-6464	ISO
GRAND RAPIDS	49512	GRAND RAPIDS LTG. CTR. INC.	616-949-4931	OWTS/ISO
KALAMAZOO	49002	HODGSON ENTERPRISES	269-343-4428	OWTS
MINNESOTA				
ROCHESTER	55906	KROUPA'S ELECTRONICS	507-951-4666	
MINNEAPOLIS	55422	LEO'S ELECTRIC	612-546-5625	
MAPLEWOOD	55109	NORTH COUNTRY ELECTRIC	651-486-7099	
MINNEAPOLIS	55411	PENN ELEC. MOTOR SERV.	612-588-5333	
BURNSVILLE	55336	FAN MAN #102	952-898-2754	ISO
EDEN PRAIRIE	55344	FAN MAN #106	612-941-9243	ISO
ST. PAUL	55104	GREATFANS & BLINDS	651-644-1203	OWTS
BAXTER	56425	THE LIGHT DEPOT	218-829-0770	ISO
MISSISSIPPI				
MADISON	39110	JACKSON SERVICE CTR.	601-856-9469	
OCEAN SPRINGS	39564	KELLY'S APPLIANCE	228-872-7181	ISO
MISSOURI				
SPRINGFIELD	65802	COMPLETE MAINTENANCE	417-866-3307	
ST LOUIS	63123	LEINWEBER SERVICE CO.	314-892-8177	
DES PERES	63131	JAFFE LIGHTING	314-965-1000	OWTS
SPRINGFIELD	65807	LOYD'S ELECTRIC	417-889-1088	ISO
BRANSON	65616	LOYD'S ELECT SUPPLY INC.	417-334-2171	ISO

STATE/CITY	ZIP	SERVICE CENTER NAME	PHONE	TYPE
MONTANA				
KALISPELL	59901	LASALLE LTG.	406-752-2424	
HELENA	59601	SUPREME LIGHTING	406-442-8200	
MISSOULA	59801	WESTERN MONTANA LTG SPY	406-543-7166	ISO
NEBRASKA				
OMAHA	68104	D & L ELECTRONICS	402-571-5233	
GRAND ISLAND	68803	QUALITY SEW & VAC.	308-382-7310	ISO
OMAHA	68144	OAK HILLS ELECTRIC INC.	402-691-4567	
NORFOLK	68701	THE POWER STATION	402-371-6671	
LINCOLN	68510	LINCOLN LTG. CTR.	402-476-1297	
NEVADA				
SPARKS	89431	EAGLE ELECTRIC, INC.	775-356-7300	
LAS VEGAS	89104	IDEAL SERVICES	702-396-5225	
HENDERSON	89015	SUPERIOR ELECTRICAL	702-222-9306	
LAS VEGAS	89119	FANCO	702-898-8522	ISO
NEW HAMPSHIRE				
NEWMARKET	03857	EDWARD HEINE	603-659-5999	
PELHAM	03076	AFFORDABLE FANS ETC.	603-759-8332	
NEW JERSEY				
WASHINGTON	07882	C.P. ORLANDO	908-689-4750	
TRENTON	08619	WIRING UNLIMITED	609-584-1122	
THOROFARE	08086	HARRY R. HABICHT	856-845-2541	
MORRIS PLAINS	07950	MANNY HERRERA	973-993-1137	
LINWOOD	08221	JACK BRESLAU	609-601-1797	
W. LONG BRANCH	07764	CHRIS KIBBE	732-222-4228	ISO
MULLICA HILL	08062	STEPHEN RICE	856-223-8645	
JACKSON	08527	ROBERT ROLZHAUSEN	732-363-3729	
HILLSBOROUGH	08844	TOP LINE ELECTRIC INC.	908-431-1888	
CHESTER	07930	CHESTER LIGHTING, INC.	908-879-7200	OWTS
PARK RIDGE	07656	KRELL LIGHTING	201-391-7685	ISO
NEW MEXICO				
ALBUQUERQUE	87112	A-1 LAMP DOCTOR	505-296-5050	
ALBUQUERQUE	87109	B-ELECTRIC	505-828-0241	
NEW YORK				
COMMACK	11725	REPUBLIC LIGHTING	631-499-1854	ISO
BROOKLYN	11204	J&R SERVICE	718-259-1789	
E. MEADOW	11554	C.D. SERVICE	516-538-3481	
QUEENSBURY	12804	DEAN ELECTRIC	518-792-4781	
PLAINVIEW	11803	JOSEPH GOTTDANK	516-932-7618	
NEWBURGH	12550	J D PARRELLA ELECT.	845-562-4112	
STATEN ISLAND	10312	JOE VALLETUTTI JR..	718-608-9008	
YONKERS	10704	JAY D. KOSACK	914-237-9051	
POUGHKEEPSIE	12601	MANNINO ELECTRIC INC.	914-452-3520	ISO
ROCHESTER	14620	CAM ELECTRIC	585-271-8560	
LONG BEACH	11561	NICK'S IMPROVEMENT COMPANY	516-659-8989	
SHOKAN	12481	OLIVE FANS & LTG.	845-657-5823	
LYNBROOK	11563	SHADERITE-PZ REPAIR	516-593-8973	
STATEN ISLAND	10301	F&R SERVICE CNTR.	718-273-5518	
REGO PARK	11374	MARK RALIN	718-896-7844	
SCHENECTADY	12303	FRANK SALVATORE	518-355-5789	
TROY	12180	TROY LIGHT COMPANY	518-274-6931	ISO
COMMACK	11725	TURNPIKE APPLIANCE	631-499-3355	
STATEN ISLAND	10304	V & P SERVICE CO	917-751-2562	
PEARL RIVER	10965	BOB VAZQUEZ	845-735-5861	
BEDFORD	10507	BEDFORD LIGHTING INC.	914-666-0680	ISO
CARLE PLACE	11514	ELEMENTS	516-747-4748	ISO
BROOKLYN	11219	MAIN LAMP CORP.	718-436-2207	ISO
BROOKLYN	11223	MANHATTAN LIGHTS INC.	718-998-1111	
AMHERST	14226	ROYALITE INC.	716-832-1492	ISO
NEW YORK	10003	SUPERIOR LIGHT & FAN	212-677-9191	
NORTH CAROLINA				
SALISBURY	28146	HAUSS ELECTRICAL SERV.	704-637-7774	
GREENSBORO	27415	RW SCHOOLFIELD ELECTRICAL	336-378-9821	
CHARLOTTE	28205	EFIRD'S INTERIORS, INC.	704-376-5648	ISO
HICKORY	28602	EFIRD'S INTERIORS, INC.	704-322-2203	ISO
CHARLOTTE	28203	SIMPSONS LIGHTING /LT.FIXT	704-376-5463	OWTS
NORTH DAKOTA				
FARGO	58103	JDP ELECTRIC INC.	701-232-1991	

TYPES OF SERVICE OFFERED:
 IHS = IN-HOUSE SERVICE ISO = IN-SHOP ONLY OWTS = SERVICES ONLY WHAT THEY SELL



STATE/CITY	ZIP	SERVICE CENTER NAME	PHONE	TYPE
OHIO				
CANTON	44706	APPLIANCE PARTS CO.	330-453-8077	ISO
GALENA	43021	CERTIFIED SYSTEMS	614-799-0878	
LOVELAND	45140	HANK GRINSHPAN	513-683-8666	
MAUMEE	43537	K.O.V ELECTRONIC REPAIR	419-865-8893	
DAYTON	45419	LARKIN ELECTRIC CO.	937-294-4115	
COLUMBUS	43231	THE LAMP LIGHTER	614-891-7940	
CLEVELAND	44109	WESTSIDE LTG. CTR.	216-459-1970	
N. OLMSTED	44070	CHANDELIER SHACK INC.	440-777-6969	ISO
NORTH LIMA	44452	DICKEY ELECTRIC	330-549-3976	
DAYTON	45459	OHIO LAMP & FIXTURE CO.	937-439-0822	ISO
OKLAHOMA				
OKLAHOMA CITY	73105	APPLIANCE SERVICE BY CK	405-525-8862	
OKLAHOMA CITY	73127	JAMES LIGHTING INC.	405-947-6663	
OREGON				
PORTLAND	97225	SYLVAN ELECTRONICS INC.	800-473-1244	ISO
PENNSYLVANIA				
HOPWOOD	15445	GEORGE R. SMALLEY CO. INC.	724-437-1927	
DREXEL HILL	19026	PATRICK HASTINGS	610-853-2709	
ALLENTOWN	18105	LIGHTING FIXTURE & SUPPLY	610-435-9691	
PITTSBURGH	15224	MARK DIULUS ELECTRIC CO.	412-681-2553	
PHILADELPHIA	19111	KLAUS OTTE	215-745-4266	
EASTON	18045	PRIMROSE ELECTRICAL	610-258-1359	
ALLENTOWN	18102	SCHOLL'S ELECTRIC	610-435-5876	
LANCASTER	17601	S. DEAN'S ELECTRIC	717-285-4545	
LANSDALE	19446	STEVE SHULMAN	215-368-1960	ISO
DOWNINGTOWN	19335	TOBIAS ELECTRIC	610-942-4000	
FAIRLESS HILLS	19030	ASTRO LTG. GALLERIES	215-943-0331	ISO
WEST READING	19611	A TO Z VACUUM STORES	610-374-4888	OWTS
HARRISBURG	17111	YALE ELECTRIC SUPPLY	717-233-8401	ISO
CONSHOHOCKEN	19428	KAY ELECTRIC SUPPLY	610-825-0100	ISO
WILLOW GROVE	19090	NORTHWEST ELEC. SPLY. CO.	215-659-5757	
STATE COLLEGE	16803	WHITEHILL LIGHTING & SPLY.	814-238-2449	
RHODE ISLAND				
PAWTUCKET	02861	WICKFORD APPLIANCE & LTG	401-726-4240	ISO
SOUTH CAROLINA				
HANAHAN	29406	BOBBY LUTES ELECTRICAL INC.	843-832-2058	ISO
SPARTANBURG	29306	BOBBY JACKSON ELECTR.	803-583-6035	
OKATIE	29909	J. HEAVENER & CO.	843-837-8300	
GOOSE CREEK	29445	DAVE'S CONTRACTING SERVICE	843-514-2380	
MYRTLE BEACH	29575	RAY ELECTRIC	843-293-0068	
COLUMBIA	29212	EASTWIND ENTERPRISES	803-781-3267	
SOUTH DAKOTA				
SIoux FALLS	57105	LAMPS AND SHADES INC.	605-332-6680	
TENNESSEE				
MT CARMEL	37645	APPALACHIAN ELEC. SVC.	423-357-0783	ISO
MEMPHIS	38111	APPLIANCE SERVICE CTR.	901-324-5898	ISO
MARYVILLE	37803	BEN SNYDER	865-385-1302	
BRENTWOOD	37027	SUNSHINE ELECTRICAL	615-371-9383	

STATE/CITY	ZIP	SERVICE CENTER NAME	PHONE	TYPE
TEXAS				
DENTON	76210	SOUTHERN COMFORTS	940-536-1406	
HOUSTON	77089	BENNETT FAN INSTALL., INC.	281-484-1401	
CORPUS CHRISTI	78404	BRAND APPLIANCE	512-854-1851	ISO
FREESPORT	77541	SKIP'S ELECTRIC AND AIR	979-233-3903	
AMARILLO	79106	DI'S LAMP & FAN REPAIR	806-331-5267	
DENTON	76201	FANTASIA CEILING FANS	940-484-4222	
DENTON	76201	LARRY W. GOFF	940-387-7304	
DAMON	77430	GULF COAST FAN SERVICE	281-495-6434	
SAN ANTONIO	78216	CEILING FAN SERVICE CTR.	210-804-1362	
ARLINGTON	76001	P&M QUALITY CONT.	817-478-2004	
TYLER	75707	CHARLES R. RAINS	903-566-3119	
HEARE	77859	THOMPSON SUPPLY	409-280-5737	
CARROLLTON	75006	ADFANTAGE CEILING FAN	972-446-9393	
HUMBLE	77338	CAROLS LTG. & FAN SHOP	281-446-7613	ISO
AUSTIN	78703	TEXAS CEILING FANS	512-477-3132	ISO
HOUSTON	77069	CHAMPIONS LIGHTING	281-440-5339	ISO
RICHARDSON	75080	COOL BREEZES	972-690-4580	
HURST	76053	ARC FAN & LIGHTING	817-268-2218	
ISO/OWTS				
BEAUMONT	77702	FAN FACTORY	409-833-8207	ISO
DALLAS	75206	LIGHTS FANTASTIC	214-987-9655	
VICTORIA	77904	HALL ELECTRIC CO., INC.	512-578-6221	
SAN ANGELO	76904	HERITAGE HAUS	325-949-6541	
WICHITA FALLS	76308	LANTERN HOUSE INC.	940-692-7381	ISO
HOUSTON	77063	LIGHTING PLUS INC.	713-784-2440	ISO
HARLINGEN	78550	THE LIGHT HOUSE	956-423-6664	OWTS
MCALLEN	78504	THE LIGHT HOUSE	956-631-1155	OWTS
UTAH				
MURRAY	84107	CENTRAL ELECTRIC CO.	801-467-5479	
RIVERTON	84065	VERN O. FRANCIS	801-254-4178	
LAYTON	84040	HARUO YOSHIKAWA	801-546-6008	ISO
VERMONT				
BOLTON VALLEY	05477	JOSEPH ASHLEY	802-434-6510	
VIRGINIA				
RICHMOND	23228	FANNING ELECTRICAL SERV.	804-262-3681	
BURKE	22015	L&S ELECTRIC INC.	703-237-0011	
WILLIAMSBURG	23185	TAPROOT COMPANY	757-229-3722	ISO
WASHINGTON				
SPOKANE	99216	BRITE-WAY ELECTRIC	509-922-0275	
TACOMA	98404	M.G.M. ELECTRONICS	253-752-9826	
VANCOUVER	98682	NORTHWEST CUSTOM ELECTRIC	360-882-0290	
WENATCHEE	98801	SEW CREATIVE	509-663-5516	
PASCO	99301	ARHA TOTAL SERVICE	509-547-3799	
WASHINGTON DC				
WASHINGTON	20007	FAN FAIR	202-342-6290	ISO
WEST VIRGINIA				
SOUTH CHARLESTON	25309	PEPPER ELECTRIC	304-768-8195	
WHEELING	26003	TOP HAT STOVE SALES	304-233-6262	
WISCONSIN				
MILWAUKEE	53219	BOB'S FAN REPAIR	414-546-2501	
GREEN BAY	54313	KARL DEVROY	920-494-6090	
FONTANA	53125	J&L PROPERTY MAINT.	262-275-2345	
BROOKFIELD	53005	CITY LIGHTS & FANS	414-781-9048	
ISO/OWTS				
MADISON	53719	MADISON LIGHTING	608-271-6911	
LA CROSSE	54601	WETTSTEIN'S	608-784-5555	
OVERSEAS				
ST THOMAS	00805	DUANE LOBERG	809-775-2399	
CANADA				
TORONTO	M6B1V9	ZANEEN LIGHTING	416-247-9221	
ONTARIO	M6B1V9			

TYPES OF SERVICE OFFERED:
 IHS = IN-HOUSE SERVICE ISO = IN-SHOP ONLY OWTS = SERVICES ONLY WHAT THEY SELL

For the most updated listing of authorized service centers in your area, visit www.casablancafانrepair.com/service/service_centers.html or call toll free: 1-888-227-2178.

Free Manuals Download Website

<http://myh66.com>

<http://usermanuals.us>

<http://www.somanuals.com>

<http://www.4manuals.cc>

<http://www.manual-lib.com>

<http://www.404manual.com>

<http://www.luxmanual.com>

<http://aubethermostatmanual.com>

Golf course search by state

<http://golfingnear.com>

Email search by domain

<http://emailbydomain.com>

Auto manuals search

<http://auto.somanuals.com>

TV manuals search

<http://tv.somanuals.com>