

**113A**  
**Legacy-RNC Line 13 Air Conditioner**  
**with Puron® Refrigerant**  
**1-1/2 to 5 Nominal Tons (Sizes 018-060)**



## Product Data



Bryant's Air Conditioners with Puron® refrigerant provide a collection of features unmatched by any other family of equipment. The 113A has been designed utilizing Bryant's Puron refrigerant. The environmentally sound refrigerant allows you to make a responsible decision in the protection of the earth's ozone layer.

As an Energy Star® Partner, Bryant Heating and Cooling has determined that this product meets the Energy Star® guidelines for energy efficiency. Refer to the combination ratings in the Product Data for system combinations that meet Energy Star® guidelines.

**NOTE: Ratings contained in this document are subject to change at any time. Always refer to the AHRI directory ([www.ahridirectory.org](http://www.ahridirectory.org)) for the most up-to-date ratings information.**

### INDUSTRY LEADING FEATURES / BENEFITS

#### Efficiency

- 13 - 14.5 SEER/10.55 - 12 EER
- Microtube Technology™ refrigeration system
- Indoor air quality accessories available

#### Sound

- Sound level as low as 76 dBA
- Sound level as low as 74 dBA with accessory sound blanket

#### Comfort

- System supports Thermidstat™ or standard thermostat controls

#### Reliability

- Puron® refrigerant - environmentally sound, won't deplete the ozone layer and low lifetime service cost.
- Scroll compressor
- Internal pressure relief valve
- Internal thermal overload
- Filter drier
- Balanced refrigeration system for maximum reliability

#### Durability

DuraGuard™ protection package:

- Solid, durable sheet metal construction
- Dense wire coil guard
- Baked-on, complete outer coverage, powder paint

#### Applications

- Long-line - up to 250 feet (76.20 m) total equivalent length, up to 200 feet (60.96 m) condenser above evaporator, or up to 80 ft. (24.38 m) evaporator above condenser (See Longline Guide for more information.)
- Low ambient (down to -20°F/-28.9°C) with accessory kit

#### Warranty

- 5 year limited compressor warranty
- 5 year limited parts warranty

## MODEL NUMBER NOMENCLATURE

|                |               |           |              |                           |              |                  |   |   |               |               |               |        |
|----------------|---------------|-----------|--------------|---------------------------|--------------|------------------|---|---|---------------|---------------|---------------|--------|
| 1              | 2             | 3         | 4            | 5                         | 6            | 7                | 8 | 9 | 10            | 11            | 12            | 14     |
| N              | N             | N         | A            | A/N                       | N            | N                | N | N | A/N           | A/N           | N             | A      |
| 1              | 1             | 3         | A            | N                         | A            | 0                | 3 | 6 | 0             | 0             | 0             | 0      |
| Product Family | Tier          | SEER      | Major Series | Voltage                   | Variations   | Cooling Capacity |   |   | Open          | Open          | Open          | Series |
| 1=AC           | 1= Legacy RNC | 3=13 SEER | A=Puron      | N= 208-230-1 or 208/230-1 | A = Standard |                  |   |   | 0=Not Defined | 0=Not Defined | 0=Not Defined |        |



This product has been designed and manufactured to meet Energy Star® criteria for energy efficiency when matched with appropriate coil components. However, proper refrigerant charge and proper air flow are critical to achieve rated capacity and efficiency. Installation of this product should follow all manufacturing refrigerant charging and air flow instructions. Failure to confirm proper charge and air flow may reduce energy efficiency and shorten equipment life.

## STANDARD FEATURES

| Feature                         | 018  | 024  | 030  | 036  | 042  | 048  | 060  |
|---------------------------------|------|------|------|------|------|------|------|
| Puron Refrigerant               | X    | X    | X    | X    | X    | X    | X    |
| Maximum SEER                    | 14.5 | 14.5 | 14.5 | 14.0 | 14.0 | 14.5 | 13.5 |
| Scroll Compressor               | X    | X    | X    | X    | X    | X    | X    |
| Dense Wire Coil Guard           | X    | X    | X    | X    | X    | X    | X    |
| Field Installed Filter Drier    | X    | X    | X    | X    | X    | X    | X    |
| Front Seating Service Valves    | X    | X    | X    | X    | X    | X    | X    |
| Internal Pressure Relief Valve  | X    | X    | X    | X    | X    | X    | X    |
| Internal Thermal Overload       | X    | X    | X    | X    | X    | X    | X    |
| Long Line capability            | X    | X    | X    | X    | X    | X    | X    |
| Low Ambient capability with Kit | X    | X    | X    | X    | X    | X    | X    |

X = Standard

## PHYSICAL DATA

| UNIT SIZE-VOLTAGE, SERIES  | 018-D                        | 024-D          | 030-E         | 036-E          | 042-C          | 048-E          | 060-F          |
|----------------------------|------------------------------|----------------|---------------|----------------|----------------|----------------|----------------|
| Operating Weight lb (kg)   | 107<br>(48.5)                | 110<br>(49.9)  | 111<br>(50.3) | 141<br>(64.0)  | 190<br>(86.2)  | 186<br>(84.4)  | 190<br>(86.2)  |
| Shipping Weight lb (kg)    | 130<br>(59.0)                | 134<br>(60.8)  | 136<br>(61.7) | 170<br>(77.1)  | 218<br>(98.9)  | 224<br>(101.6) | 226<br>(102.5) |
| Compressor Type            | Scroll                       |                |               |                |                |                |                |
| REFRIGERANT                | Puron® (R-410A)              |                |               |                |                |                |                |
| Control                    | TXV (Puron® Hard Shutoff)    |                |               |                |                |                |                |
| Charge lb (kg)             | 3.50<br>(1.60)               | 3.80<br>(1.72) | 4.1<br>(1.86) | 5.34<br>(2.42) | 5.84<br>(2.65) | 7.00<br>(3.18) | 8.19<br>(3.71) |
| COND FAN                   | Propeller Type, Direct Drive |                |               |                |                |                |                |
| Air Discharge              | Vertical                     |                |               |                |                |                |                |
| Air Qty (CFM)              | 1792                         | 2218           | 2218          | 2954           | 3167           | 3644           | 3129           |
| Motor HP                   | 1/12                         | 1/10           | 1/10          | 1/4            | 1/5            | 1/4            | 1/4            |
| Motor RPM                  | 1100                         | 1100           | 1100          | 1100           | 1100           | 1100           | 800            |
| COND COIL                  | Propeller Type, Direct Drive |                |               |                |                |                |                |
| Face Area (Sq ft)          | 8.4                          | 8.4            | 9.80          | 13.13          | 17.25          | 19.40          | 12.93          |
| Fins per In.               | 20                           | 25             | 25            | 25             | 25             | 25             | 20             |
| Rows                       | 1                            | 1              | 1             | 1              | 1              | 1              | 2              |
| Circuits                   | 3                            | 3              | 3             | 3              | 4              | 5              | 5              |
| VALVE CONNECT. (In. ID)    |                              |                |               |                |                |                |                |
| Vapor                      | 3/4                          | 3/4            | 3/4           | 7/8            | 7/8            | 7/8            | 1-1/8          |
| Liquid                     | 3/8                          |                |               |                |                |                |                |
| REFRIGERANT TUBES (In. OD) |                              |                |               |                |                |                |                |
| Rated Vapor*               | 3/4                          | 3/4            | 7/8           | 7/8            | 1-1/8          | 1-1/8          | 1-1/8          |
| Liquid                     | 3/8                          |                |               |                |                |                |                |

\* Units are rated with 25 ft (7.6 m) of lineset length. See Vapor Line Sizing and Cooling Capacity Loss table when using other sizes and lengths of lineset.

Note: See unit Installation Instruction for proper installation.

## VAPOR LINE SIZING AND COOLING CAPACITY LOSS

LONG LINE APPLICATION: An application is considered "Long line" when the total equivalent tubing length exceeds 80 ft. (24.38 m) or when there is more than 20 ft. (6.09 m) vertical separation between indoor and outdoor units. These applications require additional accessories and system modifications for reliable system operation. The maximum allowable total equivalent length is up to 250 ft. (76.2 m). The maximum vertical separation 200 ft. (60.96

m) when outdoor unit is above indoor unit, and up to 80 ft. (24.38 m) when the outdoor unit is below the indoor unit. Refer to Accessory Usage Guideline below for required accessories. See Longline Application Guideline for required piping and system modifications. Also, refer to the table below for the vapor tube diameters based on the total length to minimize the cooling capacity loss.

| Unit Nominal Size (Btuh)     | Maximum Liquid Line Diameters (In. OD) | Vapor Line Diameters (In. OD) | Cooling Capacity Loss (%)<br>Total Equivalent Line Length ft. (m) |                      |  |                        |                        |                        |                        |                        |                        |
|------------------------------|--|-------------------------------|---|----------------------|--|------------------------|------------------------|------------------------|------------------------|------------------------|------------------------|
|                              |  |                               | Standard Application  |                      | Long Line Application Requires Accessories |                        |                        |                        |                        |                        |                        |
|                              |  |                               | 26-50<br>(7.9-15.2)   | 51-80<br>(15.5-24.4) | 81-100<br>(24.7-30.5)                      | 101-125<br>(30.8-38.1) | 126-150<br>(38.4-45.7) | 151-175<br>(46.0-53.3) | 176-200<br>(53.6-61.0) | 201-225<br>(61.3-68.6) | 226-250<br>(68.9-76.2) |
| 18000<br>1 Stage<br>Puron AC | 3/8                                    | 1/2                           | 1   | 2                    | 3  | 5                      | 6                      | 7                      | 8                      | 9                      | 11                     |
|                              |  | 5/8                           | 0   | 1                    | 1  | 1                      | 2                      | 2                      | 2                      | 3                      | 3                      |
|                              |  | 3/4                           | 0   | 0                    | 0  | 0                      | 1                      | 1                      | 1                      | 1                      | 1                      |
| 24000<br>1 Stage<br>Puron AC | 3/8                                    | 5/8                           | 0   | 1                    | 2  | 2                      | 3                      | 3                      | 4                      | 5                      | 5                      |
|                              |  | 3/4                           | 0   | 0                    | 1  | 1                      | 1                      | 1                      | 1                      | 2                      | 2                      |
|                              |  | 7/8                           | 0   | 0                    | 0  | 0                      | 0                      | 1                      | 1                      | 1                      | 1                      |
| 30000<br>1 Stage<br>Puron AC | 3/8                                    | 5/8                           | 1   | 2                    | 3  | 3                      | 4                      | 5                      | 6                      | 7                      | 8                      |
|                              |  | 3/4                           | 0   | 0                    | 1  | 1                      | 1                      | 2                      | 2                      | 2                      | 3                      |
|                              |  | 7/8                           | 0   | 0                    | 0  | 0                      | 1                      | 1                      | 1                      | 1                      | 1                      |
| 36000<br>1 Stage<br>Puron AC | 3/8                                    | 5/8                           | 1   | 2                    | 4  | 5                      | 6                      | 8                      | 9                      | 10                     | 12                     |
|                              |  | 3/4                           | 0   | 1                    | 1  | 2                      | 2                      | 3                      | 3                      | 4                      | 4                      |
|                              |  | 7/8                           | 0   | 0                    | 0  | 1                      | 1                      | 1                      | 1                      | 2                      | 2                      |
| 42000<br>1 Stage<br>Puron AC | 3/8                                    | 3/4                           | 0   | 1                    | 2  | 2                      | 3                      | 4                      | 4                      | 5                      | 6                      |
|                              |  | 7/8                           | 0   | 0                    | 1  | 1                      | 1                      | 2                      | 2                      | 2                      | 3                      |
|                              |  | 1 1/8                         | 0   | 0                    | 0  | 0                      | 0                      | 0                      | 0                      | 0                      | 0                      |
| 48000<br>1 Stage<br>Puron AC | 3/8                                    | 3/4                           | 0   | 1                    | 2  | 3                      | 4                      | 5                      | 5                      | 6                      | 7                      |
|                              |  | 7/8                           | 0   | 0                    | 1  | 1                      | 2                      | 2                      | 2                      | 3                      | 3                      |
|                              |  | 1 1/8                         | 0   | 0                    | 0  | 0                      | 0                      | 0                      | 0                      | 1                      | 1                      |
| 60000<br>1 Stage<br>Puron AC | 3/8                                    | 3/4                           | 1   | 2                    | 4  | 5                      | 6                      | 7                      | 9                      | 10                     | 11                     |
|                              |  | 7/8                           | 0   | 1                    | 2  | 2                      | 3                      | 4                      | 4                      | 5                      | 5                      |
|                              |  | 1 1/8                         | 0   | 0                    | 0  | 1                      | 1                      | 1                      | 1                      | 1                      | 1                      |

Applications in this area are long line. Accessories are required as shown recommended on Long Line Application Guidelines

Applications in this area may have height restrictions that limit allowable total equivalent length, when outdoor unit is below indoor unit. See Long Line Application Guidelines

## ACCESSORY THERMOSTATS

| THERMOSTAT / SUBBASE PKG. | DESCRIPTION   |
|---------------------------|---|
| T6-PRH-01                 | Programmable Thermidistat   |
| T6-NRH-01                 | Non-programmable Thermidistat   |
| T1-PAC-01                 | Legacy RNC Series Programmable AC Stat  |
| T1-NAC-01                 | Legacy RNC Series Non-programmable AC Stat  |
| TSTATBBPRH01-B            | Thermidistat Control – Programmable / Non-Programmable Thermostat with Humidity control       |
| TSTATBBPAC01-B            | Thermostat – Auto Changeover, 7-Day Programmable, °F/°C, 1-Stage Heat, 1-Stage Cool           |
| TSTATBBNAC01-C            | Thermostat – Auto Changeover, Non-Programmable, °F/°C, 1-Stage Heat, 1-Stage Cool             |
| TSTATBBBAC01-B            | Builder's Thermostat – Manual Changeover, Non-Programmable, °F/°C, 1-Stage Heat, 1-Stage Cool |
| TSTATBSENO1-B             | Outdoor Air Temperature Sensor  |
| TSTATXBBP01               | Backplate for Builder's Thermostat  |
| TSTATXNBP01               | Backplate for Non-Programmable Thermostat   |
| TSTATXPBP01               | Backplate for Programmable Thermostat   |
| TSTATXCNV10               | Thermostat Conversion Kit (4 to 5 wires) – 10 Pack  |

## ACCESSORIES

| KIT NUMBER    | DESCRIPTION              | Size – Voltage & Series |       |       |       |       |       |       |
|---------------|--------------------------|-------------------------|-------|-------|-------|-------|-------|-------|
|               |                          | 018-D                   | 024-D | 030-E | 036-E | 042-C | 048-E | 060-F |
| KAFT0101AAA   | FREEZE THERMOSTAT        | X                       | X     | X     | X     | X     | X     | X     |
| KAATD0101TDR  | TIME DELAY RELAY         | X                       | X     | X     | X     | X     | X     | X     |
| KAWS0101AAA   | WINTER START             | X                       | X     | X     | X     | X     | X     | X     |
| KSALA0301410  | LOW AMBIENT PSW          | X                       | X     | X     | X     | X     | X     | X     |
| KSALA0601AAA† | MOTORMASTER 230V         | X                       | X     | X     | X     | X     | X     | X     |
| HC32GE234     | MOTOR FAN BALL BEARING   | X                       |       |       |       |       |       |       |
| HC34GE239     | MOTOR FAN BALL BEARING   |                         | X     | X     |       |       |       |       |
| HC40GE226     | MOTOR FAN BALL BEARING   |                         |       |       | X     |       | X     |       |
| HC38GE219     | MOTOR FAN BALL BEARING   |                         |       |       |       | X     |       |       |
| HC40GE228     | MOTOR FAN BALL BEARING   |                         |       |       |       |       |       | X     |
| KAHS1701AAA   | HARD START (CAP / RELAY) | X                       | X     | X     | X     | X     | X     | X     |
| KSACY0101AAA  | CYCLE PROTECTOR          | X                       | X     | X     | X     | X     | X     | X     |
| KSASF0101AAA  | SUPPORT FEET             | X                       | X     | X     | X     | X     | X     | X     |
| KAACS0201PTC  | START ASSIST PTC         | X                       | X     | X     | X     | X     | X     | X     |
| KAACH1401AAA  | CRANKCASE HTR            | X                       | X     | X     | X     |       |       |       |
| KAACH1201AAA  | CRANKCASE HTR            |                         |       |       |       | X     | X     | X     |
| KSATX0201PUR  | TXV PURON HSO            | X                       | X     | X     |       |       |       |       |
| KSATX0301PUR  | TXV PURON HSO            |                         |       |       | X     | X     |       |       |
| KSATX0401PUR  | TXV PURON HSO            |                         |       |       |       |       | X     |       |
| KSATX0501PUR  | TXV PURON HSO            |                         |       |       |       |       |       | X     |
| KSASH0601COP  | SOUND HOOD               | X                       | X     | X     | X     | X     | X     |       |
| KSASH2101COP  | SOUND HOOD               |                         |       |       |       |       |       | X     |
| KAALP0401PUR  | LOW PRESSURE SWITCH      | X                       | X     | X     | X     | X     | X     | X     |
| KAHI0501PUR   | HIGH PRESSURE SWITCH     | X                       | X     | X     | X     | X     | X     | X     |

X = Available accessories

† Required accessories include ball bearing fan motor, compressor start assist (CAP / Relay), crankcase heater, evaporator freeze stat, hard shut-off TXV.

# ACCESSORY USAGE GUIDELINE

| ACCESSORY   | REQUIRED FOR LOW-AMBI-<br>ENT COOLING APPLICATIONS<br>(Below 55°F/12.8°C) | REQUIRED FOR LONG<br>LINE<br>APPLICATIONS*<br>(Over 80 ft./24.38 m) | REQUIRED FOR<br>SEA COAST<br>APPLICATIONS<br>(Within 2 miles/3.22 km) |
|---|---|---|---|
| Ball Bearing Fan Motor                                  | Yes†  | No  | No  |
| Compressor Start Assist Capacitor and Relay             | Yes   | Yes   | No  |
| Crankcase Heater  | Yes   | Yes   | No  |
| Evaporator Freeze Thermostat                            | Yes   | No  | No  |
| Hard Shut-Off TXV                                       | Yes   | Yes   | Yes   |
| Liquid Line Solenoid Valve                              | No  | No  | No  |
| Motor Master® Control or<br>Low-ambient Pressure Switch | Yes   | No  | No  |
| Support Feet  | Recommended   | No  | Recommended   |
| Winter Start Control                                    | Yes   | No  | No  |

\* For tubing line sets between 80 and 200 ft. (24.38 and 60.96 m) and/or 20 ft. (6.09 m) vertical differential, refer to Residential Split-System Longline Application Guideline.

† Required for Low-Ambient Controller (full modulation feature) MotorMaster® Control.

## Accessory Description and Usage (Listed Alphabetically)

### 1. Ball-Bearing Fan Motor

A fan motor with ball bearings which permits speed reduction while maintaining bearing lubrication.

Usage Guideline:

Required on all units when MotorMaster® is used.

### 2. Compressor Start Assist - Capacitor and Relay

Start capacitor and relay gives a "hard" boost to compressor motor at each start up.

Usage Guideline:

Required for reciprocating compressors in the following applications:

- Long line
- Low ambient cooling
- Hard shut off expansion valve on indoor coil
- Liquid line solenoid on indoor coil

Required for single-phase scroll compressors in the following applications:

- Long line
- Low ambient cooling

Suggested for all compressors in areas with a history of low voltage problems.

### 3. Compressor Start Assist — PTC Type

Solid state electrical device which gives a "soft" boost to the compressor at each start-up.

Usage Guideline:

Suggested in installations with marginal power supply.

### 4. Crankcase Heater

An electric resistance heater which mounts to the base of the compressor to keep the lubricant warm during off cycles. Improves compressor lubrication on restart and minimizes the chance of liquid slugging.

Usage Guideline:

- Required in low ambient cooling applications.
- Required in long line applications.
- Suggested in all commercial applications.

### 5. Cycle Protector

The cycle protector is designed to prevent compressor short cycling. This control provides an approximate 5-minute delay after power to the compressor has been interrupted for any reason, including power outage, protector control trip, thermostat jiggling, or normal cycling.

### 6. Evaporator Freeze Thermostat

An SPST temperature-actuated switch that stops unit operation when evaporator reaches freeze-up conditions.

Usage Guideline:

Required when low ambient kit has been added.

### 7. Low-Ambient Pressure Switch Kit

A long life pressure switch which is mounted to outdoor unit service valve. It is designed to cycle the outdoor fan motor in order to maintain head pressure within normal operating limits (approximately 100 psig to 225 psig). The control will maintain working head pressure at low-ambient temperatures down to 0°F (-18°C) when properly installed.

Usage Guideline:

A Low-Ambient Pressure Switch or MotorMaster® Low-Ambient Controller must be used when cooling operation is used at outdoor temperatures below 55°F (12.8°C).

### 8. MotorMaster® Low-Ambient Controller

A fan-speed control device activated by a temperature sensor, designed to control condenser fan motor speed in response to the saturated, condensing temperature during operation in cooling mode only. For outdoor temperatures down to -20°F (-28.9°C), it maintains condensing temperature at 100°F ±10°F (37.8°C ± 5.5°C).

Usage Guideline:

A MotorMaster® Low Ambient Controller or Low-Ambient Pressure Switch must be used when cooling operation is used at outdoor temperatures below 55°F (12.8°C).

Suggested for all commercial applications.

### 9. Outdoor Air Temperature Sensor

Designed for use with Bryant Thermostats listed in this publication. This device enables the thermostat to display the outdoor temperature. This device also

is required to enable special thermostat features such as auxiliary heat lock out.

Usage Guideline:

Suggested for all Bryant thermostats listed in this publication.

## Accessory Description and Usage (Listed Alphabetically) (Continued)

### 10. Sound Hood

Wraparound sound reducing cover for the compressor. Reduces the sound level by about 2 dBA.

Usage Guideline:

Suggested when unit is installed closer than 15 ft (4.57 m) to quiet areas, bedrooms, etc.

Suggested when unit is installed between two houses less than 10 ft (3.05 m) apart.

### 11. Support Feet

Four stick-on plastic feet that raise the unit 4 in. (101.6 mm) above the mounting pad. This allows sand, dirt, and other debris to be flushed from the unit base, minimizing corrosion.

Usage Guideline:

Suggested in the following applications:

Coastal installations.

Windy areas or where debris is normally circulating.

Rooftop installations.

For improved sound ratings.

### 12. Thermostatic Expansion Valve (TXV)

A modulating flow-control valve which meters refrigerant liquid flow rate into the evaporator in response to the superheat of the refrigerant gas leaving the evaporator.

Kit includes valve, adapter tubes, and external equalizer tube. Hard shut off types are available.

**NOTE:** When using a hard shut off TXV with single phase reciprocating compressors, a Compressor Start Assist Capacitor and Relay is required.

Usage Guideline:

Required to achieve ARI ratings in certain equipment combinations. Refer to combination ratings.

Hard shut off TXV or LLS required in air conditioner long line applications.

Required for use on all zoning systems.

### 13. Time-Delay Relay

An SPST delay relay which briefly continues operation of indoor blower motor to provide additional cooling after the compressor cycles off.

**NOTE:** Most indoor unit controls include this feature. For those that do not, use the guideline below.

Usage Guideline:

For improved efficiency ratings for certain combinations of indoor and outdoor units. Refer to ARI Unitary Directory.

### 14. Winter Start Control

This control is designed to alleviate nuisance opening of the low-pressure switch by bypassing it for the first 3 minutes of operation.

## ELECTRICAL DATA

| UNIT SIZE – VOLTAGE, SERIES | V/PH      | OPER VOLTS* |     | COMPR |      | FAN  | MCA  | MIN WIRE SIZE† | MIN WIRE SIZE† | MAX LENGTH (FT)‡ | MAX LENGTH (FT)‡ | MAX FUSE** or CKT BRK AMPS |
|-----------------------------|-----------|-------------|-----|-------|------|------|------|----------------|----------------|------------------|------------------|----------------------------|
|                             |           | MAX         | MIN | LRA   | RLA  | FLA  |      | 60° C          | 75° C          | 60° C            | 75° C            |                            |
| 018–D                       | 208/230/1 | 253         | 197 | 48.0  | 9.0  | 0.5  | 11.8 | 14             | 14             | 66 (20.1)        | 63 (21.0)        | 15                         |
| 024–D                       |           |             |     | 58.3  | 13.5 | 0.75 | 17.6 | 14             | 14             | 44 (13.4)        | 42 (12.8)        | 25                         |
| 030–E                       |           |             |     | 64.0  | 12.8 | 1.4  | 16.8 | 14             | 14             | 46 (14.0)        | 44 (13.4)        | 25                         |
| 036–E                       |           |             |     | 77.0  | 14.1 | 1.4  | 20.5 | 12             | 12             | 61 (18.6)        | 58 (17.7)        | 30                         |
| 042–C                       |           |             |     | 112.0 | 17.9 | 1.1  | 23.5 | 12             | 12             | 53 (16.2)        | 51 (15.5)        | 40                         |
| 048–E                       |           |             |     | 109.0 | 19.9 | 1.4  | 26.2 | 10             | 10             | 76 (23.2)        | 72 (22.2)        | 40                         |
| 060–F                       |           |             |     | 134.0 | 26.4 | 1.2  | 34.2 | 8              | 10             | 62 (18.9)        | 55 (16.8)        | 50                         |

\* Permissible limits of the voltage range at which the unit will operate satisfactorily

† If wire is applied at ambient greater than 30°C (86°F), consult table 310–16 of the NEC (ANSI/NFPA 70). The ampacity of non–metallic–sheathed cable (NM), trade name ROMEX, shall be that of 60°C (140°F) conditions, per the NEC (ANSI/NFPA 70) Article 336–26. If other than uncoated (no–plated), 60 or 75°C (140 or 167°F) insulation, copper wire (solid wire for 10 AWG or smaller, stranded wire for larger than 10 AWG) is used, consult applicable tables of the NEC (ANSI/NFPA 70).

‡ Length shown is as measured one way along wire path between unit and service panel for voltage drop not to exceed 2%.

\*\* Time–Delay fuse.

FLA – Full Load Amps

LRA – Locked Rotor Amps

MCA – Minimum Circuit Amps

RLA – Rated Load Amps

NOTE: Control circuit is 24–V on all units and requires external power source. Copper wire must be used from service disconnect to unit. All motors/compressors contain internal overload protection.

## A-WEIGHTED SOUND POWER (dBA)

| UNIT SIZE – SERIES | STANDARD RATING (dBA) | TYPICAL OCTAVE BAND SPECTRUM (dBA, without tone adjustment) |      |      |      |      |      |      |
|--------------------|-----------------------|---|------|------|------|------|------|------|
|                    |                       | 125   | 250  | 500  | 1000 | 2000 | 4000 | 8000 |
| 018–D              | 72                    | 53.5  | 59.5 | 63.5 | 67.0 | 63.5 | 59.0 | 52.5 |
| 024–D              | 76                    | 55.0  | 61.5 | 67.0 | 71.5 | 69.0 | 61.0 | 55.0 |
| 030–E              | 74                    | 55.0  | 63.5 | 68.5 | 68.5 | 65.5 | 61.0 | 54.0 |
| 036–E              | 75                    | 59.5  | 63.0 | 68.5 | 70.0 | 65.5 | 61.5 | 53.5 |
| 042–C              | 78                    | 57.5  | 65.0 | 71.0 | 73.0 | 70.5 | 67.5 | 62.5 |
| 048–E              | 80                    | 58.5  | 67.5 | 73.5 | 75.0 | 70.5 | 67.5 | 64.5 |
| 060–F              | 78                    | 59.0  | 67.5 | 71.5 | 73.5 | 69.0 | 66.0 | 63.5 |

NOTE: Tested in accordance with ARI Standard 270–95 (not listed in ARI).

## A-WEIGHTED SOUND POWER WITH SOUND BLANKET (dBA)

| UNIT SIZE – SERIES | STANDARD RATING (dBA) | TYPICAL OCTAVE BAND SPECTRUM (dBA, without tone adjustment) |      |      |      |      |      |      |
|--------------------|-----------------------|---|------|------|------|------|------|------|
|                    |                       | 125   | 250  | 500  | 1000 | 2000 | 4000 | 8000 |
| 018–D              | 71                    | 55.5  | 60.5 | 64.0 | 66.0 | 63.0 | 58.5 | 52.0 |
| 024–D              | 74                    | 55.5  | 60.5 | 68.5 | 70.0 | 67.0 | 61.0 | 53.6 |
| 030–E              | 73                    | 55.5  | 64.0 | 68.0 | 67.0 | 64.0 | 60.0 | 52.5 |
| 036–E              | 74                    | 59.5  | 63.0 | 68.0 | 69.5 | 65.0 | 60.5 | 50.5 |
| 042–C              | 77                    | 57.5  | 65.0 | 70.5 | 72.0 | 70.0 | 67.0 | 62.0 |
| 048–E              | 79                    | 60.5  | 67.5 | 73.5 | 74.5 | 71.0 | 68.0 | 63.5 |
| 060–F              | 78                    | 59.0  | 68.0 | 70.5 | 72.5 | 68.0 | 67.0 | 63.0 |

NOTE: Tested in accordance with ARI Standard 270–95 (not listed in ARI).

## CHARGING SUBCOOLING (TXV-TYPE EXPANSION DEVICE)


| UNIT SIZE – SERIES | REQUIRED SUBCOOLING °F (°C) |
|--------------------|-----------------------------|
| 018–D              | 8 (4.4)                     |
| 024–D              | 13 (7.2)                    |
| 030–E              | 16 (8.9)                    |
| 036–E              | 14 (7.8)                    |
| 042–C              | 10 (5.6)                    |
| 048–E              | 15 (8.3)                    |
| 060–F              | 11 (6.1)                    |





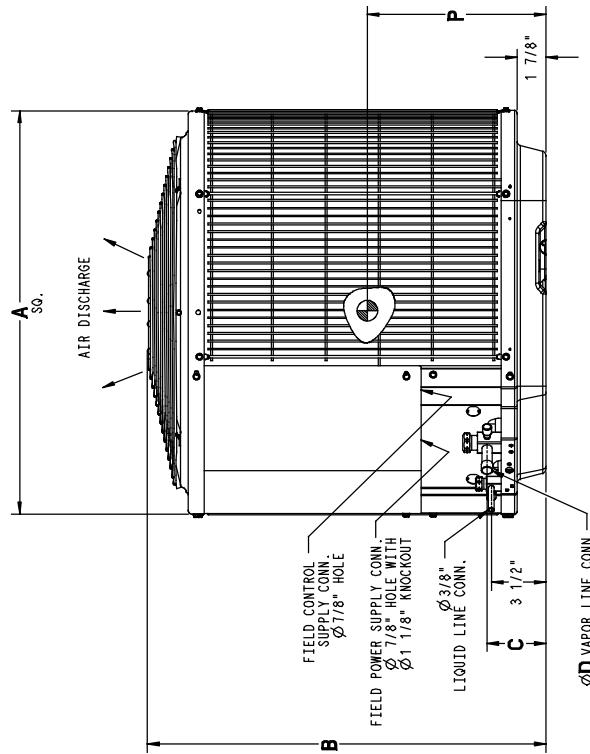
# DIMENSIONS - ENGLISH (SIZE 042)

| UNIT    | SERIES | ELECTRICAL CHARACTERISTICS | A        | B        | C      | D    | E       | F         | G      | K        | L    | M       | N       | P       | OPERATING WEIGHT (lbs) | SHIPPING WEIGHT (lbs) | SHIPPING DIMENSIONS (L x W x H) |
|---------|--------|----------------------------|----------|----------|--------|------|---------|-----------|--------|----------|------|---------|---------|---------|------------------------|-----------------------|---------------------------------|
| 113A042 | C      | X 0 0 0                    | 31 3/16" | 32 5/16" | 3 7/8" | 7/8" | 6 9/16" | 24 11/16" | 9 1/8" | 2 15/16" | 5/8" | 15 3/4" | 16 1/4" | 13 3/4" | 189                    | 217                   | 32 3/8" X 35 1/2" X 35 15/16"   |

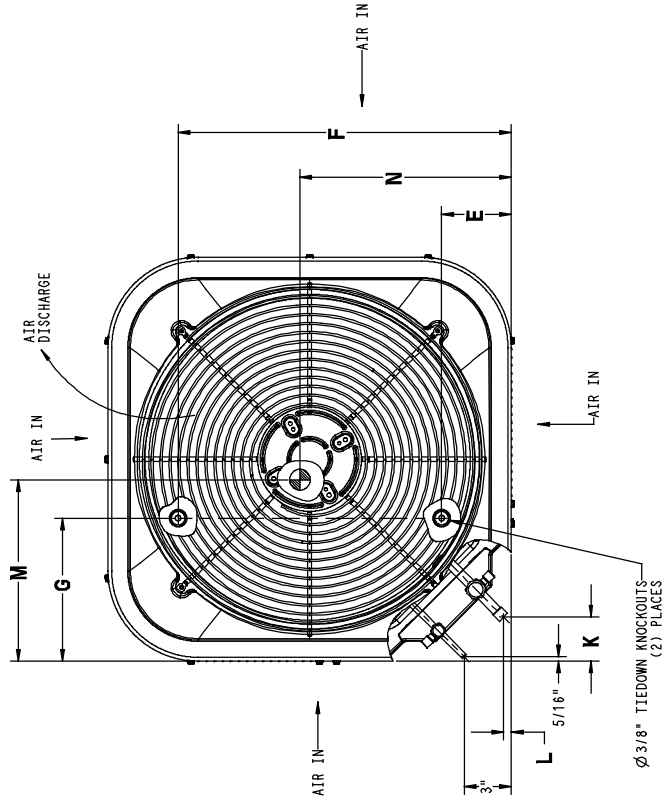
- NOTES:
1. Allow 24" between units or 18" if no overhang within 12 ft.
  2. MINIMUM OUTDOOR OPERATING AMBIENT IN COOLING MODE IS 35°F, MAX. 125°F.
  3. SERIES DESIGNATION IS THE 13TH POSITION OF THE UNIT MODEL NUMBER.
  4. CENTER OF GRAVITY 
  5. ALL DIMENSIONS ARE IN "INCHES" UNLESS NOTED.

X = YES  
O = NO

|              |
|--------------|
| 460-3-60     |
| 208/230-3-60 |
| 230-1-60     |
| 208-230-1-60 |



| UNIT SIZE | MINIMUM MOUNTING PAD DIMENSIONS |
|-----------|---------------------------------|
| 42        | 31 1/2" X 31 1/2"               |



113A




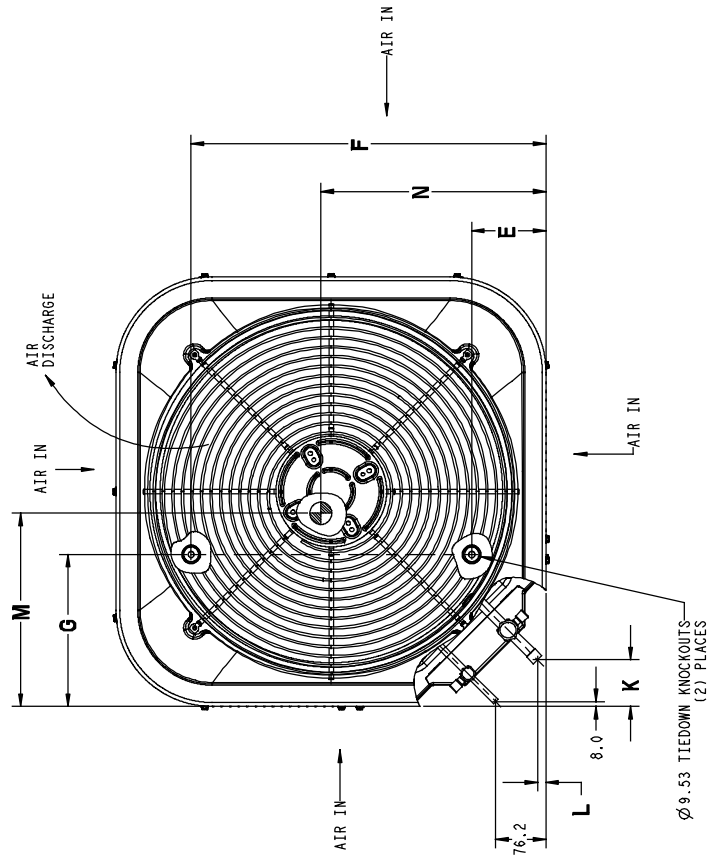
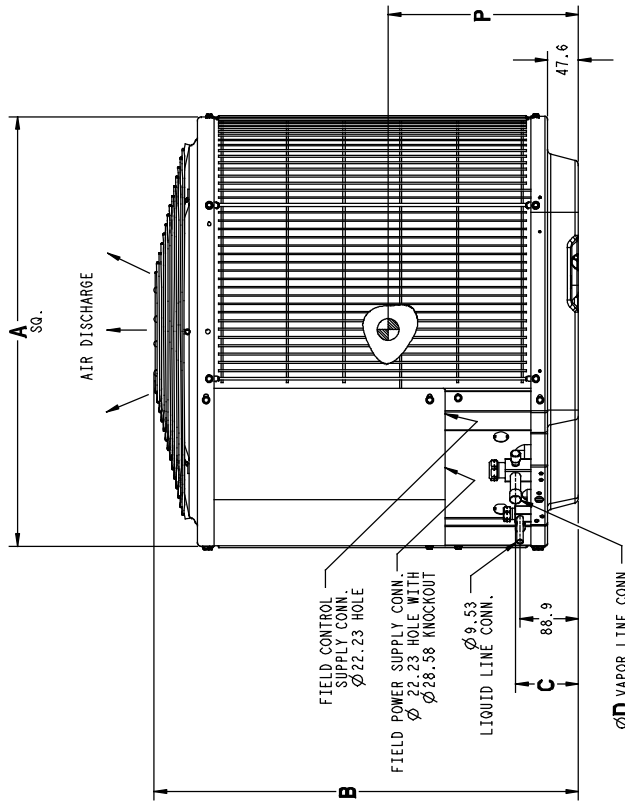
# DIMENSIONS - SI (SIZE 042)

| UNIT    | SERIES | ELECTRICAL CHARACTERISTICS | A     | B     | C    | D    | E     | F     | G     | K    | L    | M     | N     | P     | OPERATING WEIGHT (Kgs) | SHIPPING WEIGHT (Kgs) | SHIPPING DIMENSIONS (L x W x H) |
|---------|--------|----------------------------|-------|-------|------|------|-------|-------|-------|------|------|-------|-------|-------|------------------------|-----------------------|---------------------------------|
| 113A042 | C      | X                          | 792.2 | 820.8 | 98.4 | 22.2 | 166.7 | 627.1 | 231.8 | 74.6 | 15.9 | 400.0 | 412.8 | 349.2 | 85.7                   | 98.4                  | 822.3 X 901.7 X 912.8           |
|         |        | 208-230-160                |       |       |      |      |       |       |       |      |      |       |       |       |                        |                       |                                 |
|         |        | 230-160                    |       |       |      |      |       |       |       |      |      |       |       |       |                        |                       |                                 |
|         |        | 208/230-3-60               |       |       |      |      |       |       |       |      |      |       |       |       |                        |                       |                                 |
|         |        | 460-3-60                   |       |       |      |      |       |       |       |      |      |       |       |       |                        |                       |                                 |

X = YES  
O = NO

**NOTES:**

1. Allow 609.6 mm between units or 457.2 mm if no overhang within 3.7 m.
2. MINIMUM OUTDOOR OPERATING AMBIENT IN COOLING MODE IS 13°C, MAX. 52°C.
3. SERIES DESIGNATION IS THE 10TH POSITION OF THE UNIT MODEL NUMBER.
4. CENTER OF GRAVITY 
5. ALL DIMENSIONS ARE IN "MM" UNLESS NOTED.

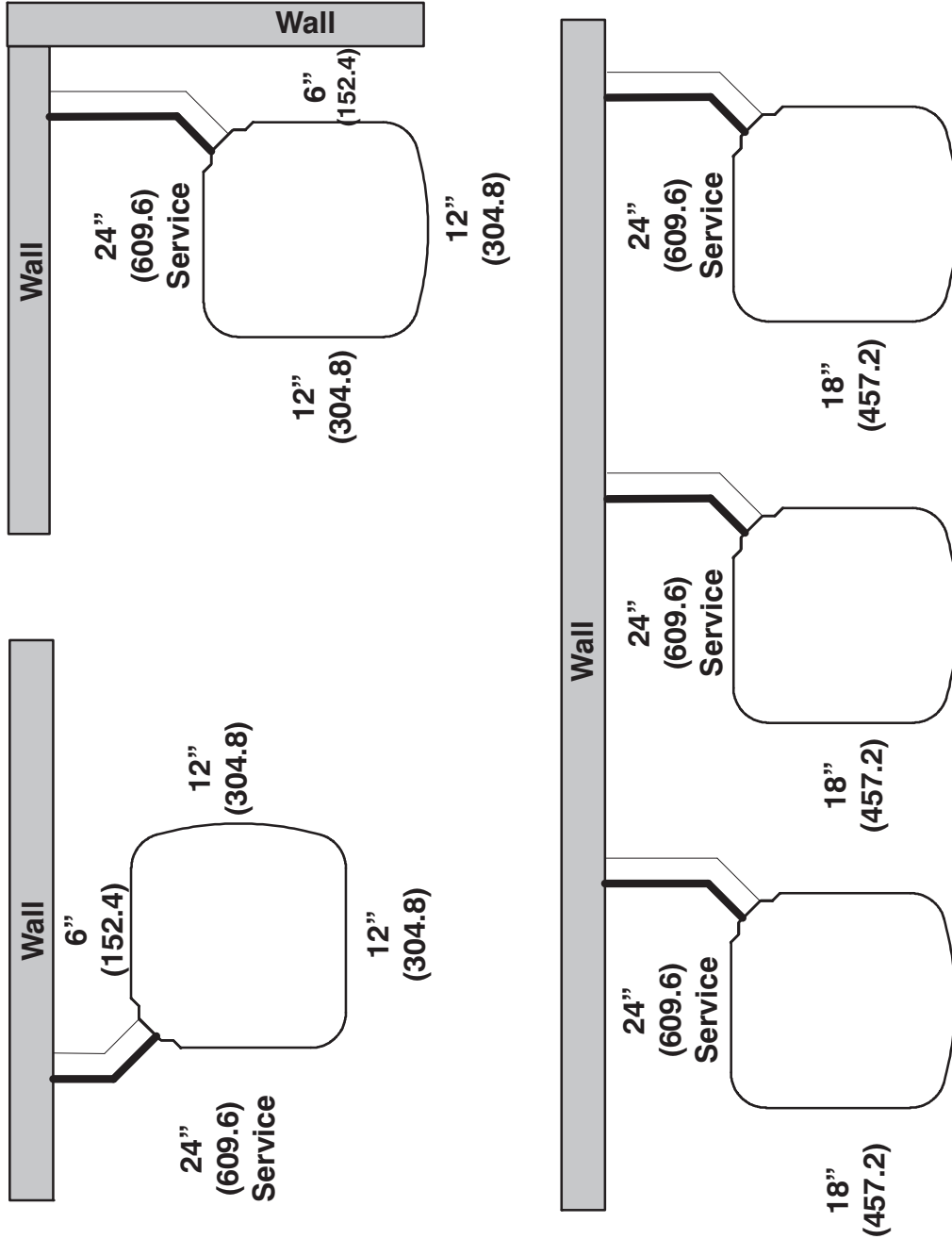


| UNIT SIZE | MINIMUM MOUNTING PAD DIMENSIONS |
|-----------|---------------------------------|
| 42        | 800.1 X 800.1                   |

113A

# CLEARANCES

Clearances (various examples)



Note: Numbers in ( ) = mm

# COMBINATION RATINGS

| ARI Ref. No. | Model Number | Indoor Model      | Furnace Model    | Capacity | EER   | SEER  |
|--------------|--------------|-------------------|------------------|----------|-------|-------|
| 3163097      | 113ANA018-BD | †CAP**1814A**+TDR |                  | 17600    | 10.90 | 13.00 |
| 3163099      | 113ANA018-BD | CAP**1814A**      | 313*AV024045     | 17800    | 12.00 | 14.50 |
| 3163098      | 113ANA018-BD | CAP**1814A**      | 315(A,J)AV036070 | 17500    | 12.00 | 14.50 |
| 3163102      | 113ANA018-BD | CAP**2414A**      | 313*AV024045     | 18000    | 12.20 | 14.50 |
| 3163101      | 113ANA018-BD | CAP**2414A**      | 315(A,J)AV036070 | 17800    | 12.20 | 14.50 |
| 3163100      | 113ANA018-BD | CAP**2414A**+TDR  |                  | 17900    | 11.00 | 13.20 |
| 3163105      | 113ANA018-BD | CAP**2417A**      | 315(A,J)AV048090 | 17800    | 12.20 | 14.50 |
| 3163106      | 113ANA018-BD | CAP**2417A**      | 353AAV036040     | 18000    | 12.50 | 15.00 |
| 3163107      | 113ANA018-BD | CAP**2417A**      | 353AAV036060     | 18000    | 12.50 | 15.00 |
| 3163104      | 113ANA018-BD | CAP**2417A**      | 355(A,C)AV042060 | 17800    | 12.20 | 14.50 |
| 3163103      | 113ANA018-BD | CAP**2417A**+TDR  |                  | 17900    | 11.00 | 13.20 |
| 3163128      | 113ANA018-BD | CNPF*2418A**+TDR  |                  | 17900    | 11.00 | 13.20 |
| 3163125      | 113ANA018-BD | CNPH*2417A**      | 313*AV024045     | 17800    | 12.20 | 14.50 |
| 3163123      | 113ANA018-BD | CNPH*2417A**      | 315(A,J)AV036070 | 17800    | 12.20 | 14.50 |
| 3163124      | 113ANA018-BD | CNPH*2417A**      | 315(A,J)AV048090 | 17800    | 12.20 | 14.50 |
| 3163126      | 113ANA018-BD | CNPH*2417A**      | 353AAV036040     | 18000    | 12.20 | 15.00 |
| 3163127      | 113ANA018-BD | CNPH*2417A**      | 353AAV036060     | 18000    | 12.20 | 15.00 |
| 3163121      | 113ANA018-BD | CNPH*2417A**      | 355(A,C)AV042060 | 17800    | 12.20 | 14.50 |
| 3163122      | 113ANA018-BD | CNPH*2417A**      | 355(A,C)AV042080 | 17700    | 12.20 | 14.50 |
| 3163120      | 113ANA018-BD | CNPH*2417A**      | 355AAV042040     | 17800    | 12.20 | 14.50 |
| 3163119      | 113ANA018-BD | CNPH*2417A**+TDR  |                  | 17900    | 11.00 | 13.20 |
| 3163110      | 113ANA018-BD | CNPV*1814A**      | 313*AV024045     | 17800    | 12.00 | 14.50 |
| 3163109      | 113ANA018-BD | CNPV*1814A**      | 315(A,J)AV036070 | 17500    | 12.00 | 14.50 |
| 3163108      | 113ANA018-BD | CNPV*1814A**+TDR  |                  | 17600    | 10.90 | 13.00 |
| 3163113      | 113ANA018-BD | CNPV*2414A**      | 313*AV024045     | 18000    | 12.20 | 14.50 |
| 3163112      | 113ANA018-BD | CNPV*2414A**      | 315(A,J)AV036070 | 17800    | 12.20 | 14.50 |
| 3163111      | 113ANA018-BD | CNPV*2414A**+TDR  |                  | 17900    | 11.00 | 13.20 |
| 3163116      | 113ANA018-BD | CNPV*2417A**      | 315(A,J)AV048090 | 17800    | 12.20 | 14.50 |
| 3163117      | 113ANA018-BD | CNPV*2417A**      | 353AAV036040     | 18000    | 12.20 | 15.00 |
| 3163118      | 113ANA018-BD | CNPV*2417A**      | 353AAV036060     | 18000    | 12.20 | 15.00 |
| 3163115      | 113ANA018-BD | CNPV*2417A**      | 355(A,C)AV042060 | 17800    | 12.20 | 14.50 |
| 3163114      | 113ANA018-BD | CNPV*2417A**+TDR  |                  | 17900    | 11.00 | 13.20 |
| 3163135      | 113ANA018-BD | CSPH*2412A**      | 313*AV024045     | 18000    | 12.20 | 14.50 |
| 3163133      | 113ANA018-BD | CSPH*2412A**      | 315(A,J)AV036070 | 17900    | 12.20 | 14.50 |
| 3163134      | 113ANA018-BD | CSPH*2412A**      | 315(A,J)AV048090 | 17900    | 12.20 | 14.50 |
| 3163136      | 113ANA018-BD | CSPH*2412A**      | 353AAV036040     | 18000    | 12.20 | 15.00 |
| 3163137      | 113ANA018-BD | CSPH*2412A**      | 353AAV036060     | 18000    | 12.20 | 15.00 |
| 3163131      | 113ANA018-BD | CSPH*2412A**      | 355(A,C)AV042060 | 17900    | 12.20 | 14.50 |
| 3163132      | 113ANA018-BD | CSPH*2412A**      | 355(A,C)AV042080 | 17900    | 12.20 | 14.50 |
| 3163130      | 113ANA018-BD | CSPH*2412A**      | 355AAV042040     | 17800    | 12.20 | 14.50 |
| 3163129      | 113ANA018-BD | CSPH*2412A**+TDR  |                  | 17900    | 11.00 | 13.20 |
| 3163142      | 113ANA018-BD | FE4ANF002+UI      |                  | 17300    | 12.20 | 14.50 |
| 3163143      | 113ANA018-BD | FF1ENP018         |                  | 17500    | 10.90 | 13.00 |
| 3163144      | 113ANA018-BD | FF1ENP024         |                  | 17500    | 11.00 | 13.20 |
| 3163145      | 113ANA018-BD | FV4BNF002         |                  | 17300    | 12.20 | 14.50 |
| 3163140      | 113ANA018-BD | FX4CNF018         |                  | 18000    | 12.00 | 14.50 |
| 3163141      | 113ANA018-BD | FX4CNF024         |                  | 18000    | 12.20 | 14.50 |
| 3163138      | 113ANA018-BD | FY4ANF018         |                  | 17700    | 10.90 | 13.00 |
| 3163139      | 113ANA018-BD | FY4ANF024         |                  | 18000    | 10.90 | 13.00 |
| 3163146      | 113ANA024-BD | †CAP**2414A**+TDR |                  | 23000    | 11.00 | 13.00 |
| 3163148      | 113ANA024-BD | CAP**2414A**      | 313*AV024045     | 23000    | 11.70 | 14.00 |
| 3163147      | 113ANA024-BD | CAP**2414A**      | 315(A,J)AV036070 | 22800    | 12.00 | 14.00 |
| 3163151      | 113ANA024-BD | CAP**2417A**      | 315(A,J)AV048090 | 23000    | 12.20 | 14.50 |
| 3163152      | 113ANA024-BD | CAP**2417A**      | 353AAV036040     | 23400    | 12.20 | 14.50 |
| 3163153      | 113ANA024-BD | CAP**2417A**      | 353AAV036060     | 23400    | 12.20 | 14.50 |
| 3163154      | 113ANA024-BD | CAP**2417A**      | 353AAV036080     | 23200    | 12.20 | 14.50 |
| 3163150      | 113ANA024-BD | CAP**2417A**      | 355(A,C)AV042060 | 23200    | 12.20 | 14.50 |
| 3163149      | 113ANA024-BD | CAP**2417A**+TDR  |                  | 23000    | 11.00 | 13.00 |
| 3163157      | 113ANA024-BD | CAP**3014A**      | 313*AV024045     | 23400    | 12.00 | 14.00 |
| 3163156      | 113ANA024-BD | CAP**3014A**      | 315(A,J)AV036070 | 23000    | 12.00 | 14.50 |
| 3163155      | 113ANA024-BD | CAP**3014A**+TDR  |                  | 23200    | 11.00 | 13.00 |
| 3163160      | 113ANA024-BD | CAP**3017A**      | 315(A,J)AV048090 | 23200    | 12.20 | 14.50 |
| 3163161      | 113ANA024-BD | CAP**3017A**      | 353AAV036040     | 23600    | 12.20 | 14.50 |
| 3163162      | 113ANA024-BD | CAP**3017A**      | 353AAV036060     | 23800    | 12.20 | 14.50 |
| 3163163      | 113ANA024-BD | CAP**3017A**      | 353AAV036080     | 23600    | 12.20 | 14.50 |
| 3163159      | 113ANA024-BD | CAP**3017A**      | 355(A,C)AV042060 | 23400    | 12.20 | 14.50 |
| 3163158      | 113ANA024-BD | CAP**3017A**+TDR  |                  | 23200    | 11.00 | 13.00 |
| 3163214      | 113ANA024-BD | CNPF*2418A**+TDR  |                  | 23000    | 11.00 | 13.00 |
| 3163194      | 113ANA024-BD | CNPH*2417A**      | 313*AV024045     | 23000    | 11.70 | 14.00 |
| 3163189      | 113ANA024-BD | CNPH*2417A**      | 315(A,J)AV036070 | 22800    | 11.70 | 14.00 |
| 3163190      | 113ANA024-BD | CNPH*2417A**      | 315(A,J)AV048090 | 22800    | 12.00 | 14.00 |
| 3163191      | 113ANA024-BD | CNPH*2417A**      | 315(A,J)AV060110 | 22800    | 11.70 | 14.00 |
| 3163192      | 113ANA024-BD | CNPH*2417A**      | 315(A,J)AV066135 | 22800    | 12.00 | 14.00 |
| 3163193      | 113ANA024-BD | CNPH*2417A**      | 315(A,J)AV066155 | 22800    | 12.00 | 14.00 |
| 3163195      | 113ANA024-BD | CNPH*2417A**      | 353AAV036040     | 23200    | 12.00 | 14.50 |
| 3163196      | 113ANA024-BD | CNPH*2417A**      | 353AAV036060     | 23200    | 12.00 | 14.50 |
| 3163197      | 113ANA024-BD | CNPH*2417A**      | 353AAV036080     | 23200    | 12.00 | 14.50 |
| 3163184      | 113ANA024-BD | CNPH*2417A**      | 355(A,C)AV042060 | 23200    | 12.00 | 14.00 |

See notes on page 22

# COMBINATION RATINGS CONTINUED

| ARI Ref. No. | Model Number | Indoor Model     | Furnace Model    | Capacity | EER   | SEER  |
|--------------|--------------|------------------|------------------|----------|-------|-------|
| 3163185      | 113ANA024-BD | CNPH*2417A**     | 355(A,C)AV042080 | 22800    | 12.00 | 14.00 |
| 3163186      | 113ANA024-BD | CNPH*2417A**     | 355(A,C)AV060080 | 22600    | 12.00 | 14.00 |
| 3163187      | 113ANA024-BD | CNPH*2417A**     | 355(A,C)AV060100 | 22800    | 12.00 | 14.00 |
| 3163188      | 113ANA024-BD | CNPH*2417A**     | 355(A,C)AV060120 | 23000    | 12.00 | 14.00 |
| 3163183      | 113ANA024-BD | CNPH*2417A**     | 355AAV042040     | 22800    | 11.70 | 14.00 |
| 3163182      | 113ANA024-BD | CNPH*2417A**+TDR |                  | 23000    | 11.00 | 13.00 |
| 3163210      | 113ANA024-BD | CNPH*3017A**     | 313*AV024045     | 23400    | 12.00 | 14.00 |
| 3163205      | 113ANA024-BD | CNPH*3017A**     | 315(A,J)AV036070 | 23000    | 12.00 | 14.50 |
| 3163206      | 113ANA024-BD | CNPH*3017A**     | 315(A,J)AV048090 | 23200    | 12.20 | 14.50 |
| 3163207      | 113ANA024-BD | CNPH*3017A**     | 315(A,J)AV060110 | 23200    | 12.20 | 14.50 |
| 3163208      | 113ANA024-BD | CNPH*3017A**     | 315(A,J)AV066135 | 23200    | 12.20 | 14.50 |
| 3163209      | 113ANA024-BD | CNPH*3017A**     | 315(A,J)AV066155 | 23200    | 12.20 | 14.50 |
| 3163211      | 113ANA024-BD | CNPH*3017A**     | 353AAV036040     | 23600    | 12.20 | 14.50 |
| 3163212      | 113ANA024-BD | CNPH*3017A**     | 353AAV036060     | 23800    | 12.20 | 14.50 |
| 3163213      | 113ANA024-BD | CNPH*3017A**     | 353AAV036080     | 23600    | 12.20 | 14.50 |
| 3163200      | 113ANA024-BD | CNPH*3017A**     | 355(A,C)AV042060 | 23400    | 12.20 | 14.50 |
| 3163201      | 113ANA024-BD | CNPH*3017A**     | 355(A,C)AV042080 | 23200    | 12.20 | 14.50 |
| 3163202      | 113ANA024-BD | CNPH*3017A**     | 355(A,C)AV060080 | 23000    | 12.20 | 14.50 |
| 3163203      | 113ANA024-BD | CNPH*3017A**     | 355(A,C)AV060100 | 23200    | 12.20 | 14.50 |
| 3163204      | 113ANA024-BD | CNPH*3017A**     | 355(A,C)AV060120 | 23200    | 12.20 | 14.50 |
| 3163199      | 113ANA024-BD | CNPH*3017A**     | 355AAV042040     | 23200    | 12.20 | 14.50 |
| 3163198      | 113ANA024-BD | CNPH*3017A**+TDR |                  | 23200    | 11.00 | 13.00 |
| 3163166      | 113ANA024-BD | CNPV*2414A**     | 313*AV024045     | 23000    | 11.70 | 14.00 |
| 3163165      | 113ANA024-BD | CNPV*2414A**     | 315(A,J)AV036070 | 22800    | 11.70 | 14.00 |
| 3163164      | 113ANA024-BD | CNPV*2414A**+TDR |                  | 23000    | 11.00 | 13.00 |
| 3163169      | 113ANA024-BD | CNPV*2417A**     | 315(A,J)AV048090 | 22800    | 12.00 | 14.00 |
| 3163170      | 113ANA024-BD | CNPV*2417A**     | 353AAV036040     | 23200    | 12.00 | 14.50 |
| 3163171      | 113ANA024-BD | CNPV*2417A**     | 353AAV036060     | 23200    | 12.00 | 14.50 |
| 3163172      | 113ANA024-BD | CNPV*2417A**     | 353AAV036080     | 23200    | 12.00 | 14.50 |
| 3163168      | 113ANA024-BD | CNPV*2417A**     | 355(A,C)AV042060 | 23200    | 12.00 | 14.00 |
| 3163167      | 113ANA024-BD | CNPV*2417A**+TDR |                  | 23000    | 11.00 | 13.00 |
| 3163175      | 113ANA024-BD | CNPV*3014A**     | 313*AV024045     | 23200    | 12.00 | 14.00 |
| 3163174      | 113ANA024-BD | CNPV*3014A**     | 315(A,J)AV036070 | 23000    | 12.00 | 14.50 |
| 3163173      | 113ANA024-BD | CNPV*3014A**+TDR |                  | 23200    | 11.00 | 13.00 |
| 3163178      | 113ANA024-BD | CNPV*3017A**     | 315(A,J)AV048090 | 23200    | 12.20 | 14.50 |
| 3163179      | 113ANA024-BD | CNPV*3017A**     | 353AAV036040     | 23600    | 12.20 | 14.50 |
| 3163180      | 113ANA024-BD | CNPV*3017A**     | 353AAV036060     | 23800    | 12.20 | 14.50 |
| 3163181      | 113ANA024-BD | CNPV*3017A**     | 353AAV036080     | 23600    | 12.20 | 14.50 |
| 3163177      | 113ANA024-BD | CNPV*3017A**     | 355(A,C)AV042060 | 23400    | 12.20 | 14.50 |
| 3163176      | 113ANA024-BD | CNPV*3017A**+TDR |                  | 23200    | 11.00 | 13.00 |
| 3163227      | 113ANA024-BD | CSPH*2412A**     | 313*AV024045     | 23200    | 12.00 | 14.00 |
| 3163222      | 113ANA024-BD | CSPH*2412A**     | 315(A,J)AV036070 | 23000    | 12.00 | 14.00 |
| 3163223      | 113ANA024-BD | CSPH*2412A**     | 315(A,J)AV048090 | 23200    | 12.00 | 14.00 |
| 3163224      | 113ANA024-BD | CSPH*2412A**     | 315(A,J)AV060110 | 23200    | 12.00 | 14.00 |
| 3163225      | 113ANA024-BD | CSPH*2412A**     | 315(A,J)AV066135 | 23200    | 12.00 | 14.00 |
| 3163226      | 113ANA024-BD | CSPH*2412A**     | 315(A,J)AV066155 | 23200    | 12.00 | 14.00 |
| 3163228      | 113ANA024-BD | CSPH*2412A**     | 353AAV036040     | 23400    | 12.20 | 14.50 |
| 3163229      | 113ANA024-BD | CSPH*2412A**     | 353AAV036060     | 23400    | 12.20 | 14.50 |
| 3163230      | 113ANA024-BD | CSPH*2412A**     | 353AAV036080     | 23400    | 12.20 | 14.50 |
| 3163217      | 113ANA024-BD | CSPH*2412A**     | 355(A,C)AV042060 | 23400    | 12.00 | 14.00 |
| 3163218      | 113ANA024-BD | CSPH*2412A**     | 355(A,C)AV042080 | 23000    | 12.00 | 14.00 |
| 3163219      | 113ANA024-BD | CSPH*2412A**     | 355(A,C)AV060080 | 23000    | 12.00 | 14.00 |
| 3163220      | 113ANA024-BD | CSPH*2412A**     | 355(A,C)AV060100 | 23200    | 12.00 | 14.00 |
| 3163221      | 113ANA024-BD | CSPH*2412A**     | 355(A,C)AV060120 | 23200    | 12.00 | 14.00 |
| 3163216      | 113ANA024-BD | CSPH*2412A**     | 355AAV042040     | 23200    | 12.00 | 14.00 |
| 3163215      | 113ANA024-BD | CSPH*2412A**+TDR |                  | 23000    | 11.00 | 13.00 |
| 3163243      | 113ANA024-BD | CSPH*3012A**     | 313*AV024045     | 23400    | 12.00 | 14.00 |
| 3163238      | 113ANA024-BD | CSPH*3012A**     | 315(A,J)AV036070 | 23000    | 12.00 | 14.50 |
| 3163239      | 113ANA024-BD | CSPH*3012A**     | 315(A,J)AV048090 | 23200    | 12.20 | 14.50 |
| 3163240      | 113ANA024-BD | CSPH*3012A**     | 315(A,J)AV060110 | 23200    | 12.20 | 14.50 |
| 3163241      | 113ANA024-BD | CSPH*3012A**     | 315(A,J)AV066135 | 23200    | 12.20 | 14.50 |
| 3163242      | 113ANA024-BD | CSPH*3012A**     | 315(A,J)AV066155 | 23200    | 12.20 | 14.50 |
| 3163244      | 113ANA024-BD | CSPH*3012A**     | 353AAV036040     | 23600    | 12.20 | 14.50 |
| 3163245      | 113ANA024-BD | CSPH*3012A**     | 353AAV036060     | 23800    | 12.20 | 14.50 |
| 3163246      | 113ANA024-BD | CSPH*3012A**     | 353AAV036080     | 23600    | 12.20 | 14.50 |
| 3163233      | 113ANA024-BD | CSPH*3012A**     | 355(A,C)AV042060 | 23600    | 12.20 | 14.50 |
| 3163234      | 113ANA024-BD | CSPH*3012A**     | 355(A,C)AV042080 | 23200    | 12.20 | 14.50 |
| 3163235      | 113ANA024-BD | CSPH*3012A**     | 355(A,C)AV060080 | 23000    | 12.20 | 14.50 |
| 3163236      | 113ANA024-BD | CSPH*3012A**     | 355(A,C)AV060100 | 23200    | 12.20 | 14.50 |
| 3163237      | 113ANA024-BD | CSPH*3012A**     | 355(A,C)AV060120 | 23400    | 12.20 | 14.50 |
| 3163232      | 113ANA024-BD | CSPH*3012A**     | 355AAV042040     | 23200    | 12.20 | 14.50 |
| 3163231      | 113ANA024-BD | CSPH*3012A**+TDR |                  | 23200    | 11.00 | 13.00 |
| 3163252      | 113ANA024-BD | FE4AN(B,F)003+UI |                  | 23400    | 12.20 | 14.50 |
| 3163251      | 113ANA024-BD | FE4ANF002+UI     |                  | 22600    | 12.00 | 14.00 |
| 3163253      | 113ANA024-BD | FF1ENP024        |                  | 22600    | 11.00 | 13.00 |
| 3163254      | 113ANA024-BD | FF1ENP030        |                  | 23000    | 10.90 | 13.00 |
| 3163256      | 113ANA024-BD | FV4BN(B,F)003    |                  | 23400    | 12.20 | 14.50 |
| 3163255      | 113ANA024-BD | FV4BNF002        |                  | 22600    | 12.00 | 14.00 |
| 3163249      | 113ANA024-BD | FX4CNF024        |                  | 23200    | 11.70 | 14.00 |

See notes on page 22

# COMBINATION RATINGS CONTINUED

| ARI Ref. No. | Model Number | Indoor Model      | Furnace Model    | Capacity | EER   | SEER  |
|--------------|--------------|-------------------|------------------|----------|-------|-------|
| 3163250      | 113ANA024-BD | FX4CNF030         |                  | 23400    | 12.00 | 14.50 |
| 3163247      | 113ANA024-BD | FY4ANF024         |                  | 23000    | 11.00 | 13.00 |
| 3163248      | 113ANA024-BD | FY4ANF030         |                  | 23200    | 11.00 | 13.00 |
| 3163257      | 113ANA030-BE | †CAP**3014A**+TDR |                  | 27400    | 10.80 | 13.00 |
| 3163268      | 113ANA030-BE | CAP**3014A**      | 315(A,J)AV036070 | 27200    | 11.70 | 14.00 |
| 3163272      | 113ANA030-BE | CAP**3017A**      | 313*AV048070     | 27400    | 11.70 | 14.00 |
| 3163271      | 113ANA030-BE | CAP**3017A**      | 315(A,J)AV048090 | 27400    | 12.00 | 14.00 |
| 3163273      | 113ANA030-BE | CAP**3017A**      | 353AAV036040     | 27600    | 12.00 | 14.50 |
| 3163274      | 113ANA030-BE | CAP**3017A**      | 353AAV036060     | 27800    | 11.70 | 14.00 |
| 3163275      | 113ANA030-BE | CAP**3017A**      | 353AAV036080     | 27600    | 12.00 | 14.00 |
| 3163276      | 113ANA030-BE | CAP**3017A**      | 353AAV048080     | 27800    | 11.70 | 14.00 |
| 3163270      | 113ANA030-BE | CAP**3017A**      | 355(A,C)AV042060 | 27400    | 11.70 | 14.00 |
| 3163269      | 113ANA030-BE | CAP**3017A**+TDR  |                  | 27400    | 10.80 | 13.00 |
| 3163278      | 113ANA030-BE | CAP**3614A**      | 315(A,J)AV036070 | 27400    | 11.70 | 14.00 |
| 3163277      | 113ANA030-BE | CAP**3614A**+TDR  |                  | 27400    | 10.80 | 13.00 |
| 3163282      | 113ANA030-BE | CAP**3617A**      | 313*AV048070     | 27600    | 11.70 | 14.00 |
| 3163281      | 113ANA030-BE | CAP**3617A**      | 315(A,J)AV048090 | 27400    | 12.00 | 14.50 |
| 3163283      | 113ANA030-BE | CAP**3617A**      | 353AAV036040     | 27800    | 12.00 | 14.50 |
| 3163284      | 113ANA030-BE | CAP**3617A**      | 353AAV036060     | 27600    | 12.00 | 14.50 |
| 3163285      | 113ANA030-BE | CAP**3617A**      | 353AAV036080     | 27600    | 12.00 | 14.50 |
| 3163286      | 113ANA030-BE | CAP**3617A**      | 353AAV048080     | 28000    | 11.70 | 14.00 |
| 3163280      | 113ANA030-BE | CAP**3617A**      | 355(A,C)AV042060 | 27600    | 12.00 | 14.00 |
| 3163279      | 113ANA030-BE | CAP**3617A**+TDR  |                  | 27600    | 10.80 | 13.00 |
| 3163292      | 113ANA030-BE | CAP**3621A**      | 313*AV048090     | 27800    | 12.00 | 14.00 |
| 3163291      | 113ANA030-BE | CAP**3621A**      | 315(A,J)AV060110 | 27600    | 12.00 | 14.50 |
| 3163288      | 113ANA030-BE | CAP**3621A**      | 355(A,C)AV042080 | 27400    | 11.70 | 14.00 |
| 3163289      | 113ANA030-BE | CAP**3621A**      | 355(A,C)AV060080 | 27400    | 12.00 | 14.00 |
| 3163290      | 113ANA030-BE | CAP**3621A**      | 355(A,C)AV060100 | 27200    | 11.70 | 14.00 |
| 3163287      | 113ANA030-BE | CAP**3621A**+TDR  |                  | 27600    | 10.80 | 13.00 |
| 3163353      | 113ANA030-BE | CNPF*3618A**+TDR  |                  | 27400    | 10.80 | 13.00 |
| 3163329      | 113ANA030-BE | CNPH*3017A**      | 313*AV048070     | 27400    | 11.50 | 14.00 |
| 3163330      | 113ANA030-BE | CNPH*3017A**      | 313*AV048090     | 27600    | 11.70 | 14.00 |
| 3163324      | 113ANA030-BE | CNPH*3017A**      | 315(A,J)AV036070 | 27200    | 11.70 | 14.00 |
| 3163325      | 113ANA030-BE | CNPH*3017A**      | 315(A,J)AV048090 | 27400    | 11.70 | 14.00 |
| 3163326      | 113ANA030-BE | CNPH*3017A**      | 315(A,J)AV060110 | 27400    | 11.70 | 14.00 |
| 3163327      | 113ANA030-BE | CNPH*3017A**      | 315(A,J)AV066135 | 27400    | 12.00 | 14.00 |
| 3163328      | 113ANA030-BE | CNPH*3017A**      | 315(A,J)AV066155 | 27400    | 12.00 | 14.00 |
| 3163331      | 113ANA030-BE | CNPH*3017A**      | 353AAV036040     | 27600    | 12.00 | 14.00 |
| 3163332      | 113ANA030-BE | CNPH*3017A**      | 353AAV036060     | 27800    | 11.70 | 14.00 |
| 3163333      | 113ANA030-BE | CNPH*3017A**      | 353AAV036080     | 27600    | 12.00 | 14.00 |
| 3163334      | 113ANA030-BE | CNPH*3017A**      | 353AAV048080     | 27800    | 11.70 | 14.00 |
| 3163319      | 113ANA030-BE | CNPH*3017A**      | 355(A,C)AV042060 | 27600    | 11.70 | 14.00 |
| 3163320      | 113ANA030-BE | CNPH*3017A**      | 355(A,C)AV042080 | 27200    | 11.70 | 14.00 |
| 3163321      | 113ANA030-BE | CNPH*3017A**      | 355(A,C)AV060080 | 27400    | 11.70 | 14.00 |
| 3163322      | 113ANA030-BE | CNPH*3017A**      | 355(A,C)AV060100 | 27200    | 11.70 | 14.00 |
| 3163323      | 113ANA030-BE | CNPH*3017A**      | 355(A,C)AV060120 | 27400    | 12.00 | 14.00 |
| 3163318      | 113ANA030-BE | CNPH*3017A**      | 355AAV042040     | 27400    | 11.70 | 14.00 |
| 3163317      | 113ANA030-BE | CNPH*3017A**+TDR  |                  | 27400    | 10.80 | 13.00 |
| 3163347      | 113ANA030-BE | CNPH*3617A**      | 313*AV048070     | 27400    | 11.50 | 14.00 |
| 3163348      | 113ANA030-BE | CNPH*3617A**      | 313*AV048090     | 27600    | 11.70 | 14.00 |
| 3163342      | 113ANA030-BE | CNPH*3617A**      | 315(A,J)AV036070 | 27400    | 11.70 | 14.00 |
| 3163343      | 113ANA030-BE | CNPH*3617A**      | 315(A,J)AV048090 | 27400    | 11.70 | 14.00 |
| 3163344      | 113ANA030-BE | CNPH*3617A**      | 315(A,J)AV060110 | 27400    | 11.70 | 14.00 |
| 3163345      | 113ANA030-BE | CNPH*3617A**      | 315(A,J)AV066135 | 27400    | 12.00 | 14.00 |
| 3163346      | 113ANA030-BE | CNPH*3617A**      | 315(A,J)AV066155 | 27400    | 12.00 | 14.00 |
| 3163349      | 113ANA030-BE | CNPH*3617A**      | 353AAV036040     | 27200    | 12.00 | 14.50 |
| 3163350      | 113ANA030-BE | CNPH*3617A**      | 353AAV036060     | 27200    | 12.00 | 14.50 |
| 3163351      | 113ANA030-BE | CNPH*3617A**      | 353AAV036080     | 27000    | 12.00 | 14.50 |
| 3163352      | 113ANA030-BE | CNPH*3617A**      | 353AAV048080     | 27800    | 11.70 | 14.00 |
| 3163337      | 113ANA030-BE | CNPH*3617A**      | 355(A,C)AV042060 | 27600    | 11.70 | 14.00 |
| 3163338      | 113ANA030-BE | CNPH*3617A**      | 355(A,C)AV042080 | 27200    | 11.70 | 14.00 |
| 3163339      | 113ANA030-BE | CNPH*3617A**      | 355(A,C)AV060080 | 27400    | 11.70 | 14.00 |
| 3163340      | 113ANA030-BE | CNPH*3617A**      | 355(A,C)AV060100 | 27200    | 11.70 | 14.00 |
| 3163341      | 113ANA030-BE | CNPH*3617A**      | 355(A,C)AV060120 | 27400    | 12.00 | 14.00 |
| 3163336      | 113ANA030-BE | CNPH*3617A**      | 355AAV042040     | 27400    | 11.70 | 14.00 |
| 3163335      | 113ANA030-BE | CNPH*3617A**+TDR  |                  | 27400    | 10.80 | 13.00 |
| 3163294      | 113ANA030-BE | CNPV*3014A**      | 315(A,J)AV036070 | 27200    | 11.70 | 14.00 |
| 3163293      | 113ANA030-BE | CNPV*3014A**+TDR  |                  | 27400    | 10.80 | 13.00 |
| 3163298      | 113ANA030-BE | CNPV*3017A**      | 313*AV048070     | 27400    | 11.50 | 14.00 |
| 3163297      | 113ANA030-BE | CNPV*3017A**      | 315(A,J)AV048090 | 27400    | 11.70 | 14.00 |
| 3163299      | 113ANA030-BE | CNPV*3017A**      | 353AAV036040     | 27600    | 12.00 | 14.00 |
| 3163300      | 113ANA030-BE | CNPV*3017A**      | 353AAV036060     | 27800    | 11.70 | 14.00 |
| 3163301      | 113ANA030-BE | CNPV*3017A**      | 353AAV036080     | 27600    | 12.00 | 14.00 |
| 3163302      | 113ANA030-BE | CNPV*3017A**      | 353AAV048080     | 27800    | 11.70 | 14.00 |
| 3163296      | 113ANA030-BE | CNPV*3017A**      | 355(A,C)AV042060 | 27600    | 11.70 | 14.00 |
| 3163295      | 113ANA030-BE | CNPV*3017A**+TDR  |                  | 27400    | 10.80 | 13.00 |
| 3163306      | 113ANA030-BE | CNPV*3617A**      | 313*AV048070     | 27400    | 11.50 | 14.00 |
| 3163305      | 113ANA030-BE | CNPV*3617A**      | 315(A,J)AV048090 | 27400    | 11.70 | 14.00 |

See notes on page 22

113A

# COMBINATION RATINGS CONTINUED

113A

| ARI Ref. No. | Model Number | Indoor Model      | Furnace Model    | Capacity | EER   | SEER  |
|--------------|--------------|-------------------|------------------|----------|-------|-------|
| 3163307      | 113ANA030-BE | CNPV*3617A**      | 353AAV036040     | 27200    | 12.00 | 14.50 |
| 3163308      | 113ANA030-BE | CNPV*3617A**      | 353AAV036060     | 27200    | 12.00 | 14.50 |
| 3163309      | 113ANA030-BE | CNPV*3617A**      | 353AAV036080     | 27000    | 12.00 | 14.50 |
| 3163310      | 113ANA030-BE | CNPV*3617A**      | 353AAV048080     | 27800    | 11.70 | 14.00 |
| 3163304      | 113ANA030-BE | CNPV*3617A**      | 355(A,C)AV042060 | 27600    | 11.70 | 14.00 |
| 3163303      | 113ANA030-BE | CNPV*3617A**+TDR  |                  | 27400    | 10.80 | 13.00 |
| 3163316      | 113ANA030-BE | CNPV*3621A**      | 313*AV048090     | 27600    | 11.70 | 14.00 |
| 3163315      | 113ANA030-BE | CNPV*3621A**      | 315(A,J)AV060110 | 27400    | 11.70 | 14.00 |
| 3163312      | 113ANA030-BE | CNPV*3621A**      | 355(A,C)AV042080 | 27200    | 11.70 | 14.00 |
| 3163313      | 113ANA030-BE | CNPV*3621A**      | 355(A,C)AV060080 | 27400    | 11.70 | 14.00 |
| 3163314      | 113ANA030-BE | CNPV*3621A**      | 355(A,C)AV060100 | 27200    | 11.70 | 14.00 |
| 3163311      | 113ANA030-BE | CNPV*3621A**+TDR  |                  | 27400    | 10.80 | 13.00 |
| 3163366      | 113ANA030-BE | CSPH*3012A**      | 313*AV048070     | 27600    | 11.50 | 13.50 |
| 3163367      | 113ANA030-BE | CSPH*3012A**      | 313*AV048090     | 27600    | 11.70 | 14.00 |
| 3163361      | 113ANA030-BE | CSPH*3012A**      | 315(A,J)AV036070 | 27200    | 11.70 | 13.50 |
| 3163362      | 113ANA030-BE | CSPH*3012A**      | 315(A,J)AV048090 | 27400    | 11.70 | 14.00 |
| 3163363      | 113ANA030-BE | CSPH*3012A**      | 315(A,J)AV060110 | 27600    | 11.70 | 14.00 |
| 3163364      | 113ANA030-BE | CSPH*3012A**      | 315(A,J)AV066135 | 27600    | 11.70 | 14.00 |
| 3163365      | 113ANA030-BE | CSPH*3012A**      | 315(A,J)AV066155 | 27600    | 12.00 | 14.00 |
| 3163368      | 113ANA030-BE | CSPH*3012A**      | 353AAV036040     | 27800    | 12.00 | 14.00 |
| 3163369      | 113ANA030-BE | CSPH*3012A**      | 353AAV036060     | 27800    | 11.70 | 14.00 |
| 3163370      | 113ANA030-BE | CSPH*3012A**      | 353AAV036080     | 27600    | 11.70 | 14.00 |
| 3163371      | 113ANA030-BE | CSPH*3012A**      | 353AAV048080     | 27800    | 11.70 | 14.00 |
| 3163356      | 113ANA030-BE | CSPH*3012A**      | 355(A,C)AV042060 | 27600    | 11.70 | 14.00 |
| 3163357      | 113ANA030-BE | CSPH*3012A**      | 355(A,C)AV042080 | 27400    | 11.70 | 14.00 |
| 3163358      | 113ANA030-BE | CSPH*3012A**      | 355(A,C)AV060080 | 27400    | 11.70 | 14.00 |
| 3163359      | 113ANA030-BE | CSPH*3012A**      | 355(A,C)AV060100 | 27200    | 11.70 | 14.00 |
| 3163360      | 113ANA030-BE | CSPH*3012A**      | 355(A,C)AV060120 | 27600    | 11.70 | 14.00 |
| 3163355      | 113ANA030-BE | CSPH*3012A**      | 355AAV042040     | 27400    | 11.70 | 13.50 |
| 3163354      | 113ANA030-BE | CSPH*3012A**+TDR  |                  | 27400    | 10.80 | 13.00 |
| 3163384      | 113ANA030-BE | CSPH*3612A**      | 313*AV048070     | 27800    | 11.70 | 13.50 |
| 3163385      | 113ANA030-BE | CSPH*3612A**      | 313*AV048090     | 27800    | 12.00 | 14.00 |
| 3163379      | 113ANA030-BE | CSPH*3612A**      | 315(A,J)AV036070 | 27800    | 12.00 | 14.00 |
| 3163380      | 113ANA030-BE | CSPH*3612A**      | 315(A,J)AV048090 | 27800    | 12.00 | 14.00 |
| 3163381      | 113ANA030-BE | CSPH*3612A**      | 315(A,J)AV060110 | 27800    | 12.00 | 14.00 |
| 3163382      | 113ANA030-BE | CSPH*3612A**      | 315(A,J)AV066135 | 27800    | 12.00 | 14.00 |
| 3163383      | 113ANA030-BE | CSPH*3612A**      | 315(A,J)AV066155 | 27800    | 12.00 | 14.00 |
| 3163386      | 113ANA030-BE | CSPH*3612A**      | 353AAV036040     | 27400    | 12.00 | 14.50 |
| 3163387      | 113ANA030-BE | CSPH*3612A**      | 353AAV036060     | 27400    | 12.00 | 14.50 |
| 3163388      | 113ANA030-BE | CSPH*3612A**      | 353AAV036080     | 27400    | 12.00 | 14.50 |
| 3163389      | 113ANA030-BE | CSPH*3612A**      | 353AAV048080     | 27800    | 12.00 | 14.00 |
| 3163374      | 113ANA030-BE | CSPH*3612A**      | 355(A,C)AV042060 | 28000    | 12.00 | 14.00 |
| 3163375      | 113ANA030-BE | CSPH*3612A**      | 355(A,C)AV042080 | 27800    | 12.00 | 14.00 |
| 3163376      | 113ANA030-BE | CSPH*3612A**      | 355(A,C)AV060080 | 27800    | 12.00 | 14.00 |
| 3163377      | 113ANA030-BE | CSPH*3612A**      | 355(A,C)AV060100 | 27600    | 12.00 | 14.00 |
| 3163378      | 113ANA030-BE | CSPH*3612A**      | 355(A,C)AV060120 | 28000    | 12.00 | 14.00 |
| 3163373      | 113ANA030-BE | CSPH*3612A**      | 355AAV042040     | 27800    | 12.00 | 14.00 |
| 3163372      | 113ANA030-BE | CSPH*3612A**+TDR  |                  | 27400    | 10.80 | 13.00 |
| 3163262      | 113ANA030-BE | FE4AN(B,F)003+UI  |                  | 27600    | 12.20 | 14.50 |
| 3163263      | 113ANA030-BE | FE4AN(B,F)005+UI  |                  | 28400    | 12.20 | 14.50 |
| 3163261      | 113ANA030-BE | FE4ANF002+UI      |                  | 27600    | 11.70 | 14.00 |
| 3163264      | 113ANA030-BE | FF1ENP036         |                  | 27400    | 10.90 | 13.00 |
| 3163266      | 113ANA030-BE | FV4BN(B,F)003     |                  | 27600    | 12.20 | 14.50 |
| 3163267      | 113ANA030-BE | FV4BN(B,F)005     |                  | 28400    | 12.20 | 14.50 |
| 3163265      | 113ANA030-BE | FV4BNF002         |                  | 26800    | 11.70 | 13.50 |
| 3163260      | 113ANA030-BE | FX4CN(B,F)036     |                  | 27800    | 11.50 | 13.50 |
| 3163259      | 113ANA030-BE | FX4CNF030         |                  | 27600    | 11.70 | 14.00 |
| 3163258      | 113ANA030-BE | FY4ANF030         |                  | 27000    | 10.90 | 13.00 |
| 3019797      | 113ANA036-E  | †CAP**3617A**+TDR |                  | 33800    | 10.90 | 13.00 |
| 3019792      | 113ANA036-E  | CAP**3614A**      | 315(A,J)AV036070 | 32400    | 11.50 | 13.50 |
| 3019793      | 113ANA036-E  | CAP**3614A**+TDR  |                  | 32800    | 10.90 | 13.00 |
| 3019796      | 113ANA036-E  | CAP**3617A**      | 313*AV048070     | 33400    | 11.20 | 13.50 |
| 3019794      | 113ANA036-E  | CAP**3617A**      | 315(A,J)AV048090 | 33400    | 11.70 | 14.00 |
| 3099581      | 113ANA036-E  | CAP**3617A**      | 353AAV036040     | 33600    | 11.70 | 14.00 |
| 3099582      | 113ANA036-E  | CAP**3617A**      | 353AAV036060     | 33600    | 11.70 | 14.00 |
| 3099583      | 113ANA036-E  | CAP**3617A**      | 353AAV036080     | 33600    | 11.70 | 14.00 |
| 3099584      | 113ANA036-E  | CAP**3617A**      | 353AAV048080     | 33600    | 11.70 | 14.00 |
| 3019795      | 113ANA036-E  | CAP**3617A**      | 355(A,C)AV042060 | 33600    | 11.50 | 13.50 |
| 3019802      | 113ANA036-E  | CAP**3621A**      | 313*AV048090     | 33800    | 12.00 | 14.00 |
| 3019803      | 113ANA036-E  | CAP**3621A**      | 313*AV060110     | 34000    | 12.00 | 14.00 |
| 3019798      | 113ANA036-E  | CAP**3621A**      | 315(A,J)AV060110 | 33400    | 11.70 | 14.00 |
| 3099585      | 113ANA036-E  | CAP**3621A**      | 353AAV060100     | 33600    | 12.00 | 14.00 |
| 3019799      | 113ANA036-E  | CAP**3621A**      | 355(A,C)AV042080 | 33400    | 11.50 | 13.50 |
| 3019800      | 113ANA036-E  | CAP**3621A**      | 355(A,C)AV060080 | 33400    | 11.70 | 14.00 |
| 3019801      | 113ANA036-E  | CAP**3621A**      | 355(A,C)AV060100 | 33600    | 11.70 | 14.00 |
| 3019804      | 113ANA036-E  | CAP**3621A**+TDR  |                  | 33800    | 10.90 | 13.00 |
| 3019809      | 113ANA036-E  | CAP**4221A**      | 313*AV048090     | 34000    | 12.00 | 14.00 |
| 3019810      | 113ANA036-E  | CAP**4221A**      | 313*AV060110     | 34200    | 12.00 | 14.00 |

See notes on page 22



# COMBINATION RATINGS CONTINUED

| ARI Ref. No. | Model Number | Indoor Model     | Furnace Model    | Capacity | EER   | SEER  |
|--------------|--------------|------------------|------------------|----------|-------|-------|
| 3019805      | 113ANA036-E  | CAP**4221A**     | 315(A,J)AV060110 | 33600    | 12.00 | 14.00 |
| 3099586      | 113ANA036-E  | CAP**4221A**     | 353AAV060100     | 33800    | 12.00 | 14.00 |
| 3019806      | 113ANA036-E  | CAP**4221A**     | 355(A,C)AV042080 | 33600    | 11.50 | 13.50 |
| 3019807      | 113ANA036-E  | CAP**4221A**     | 355(A,C)AV060080 | 33600    | 11.70 | 14.00 |
| 3019808      | 113ANA036-E  | CAP**4221A**     | 355(A,C)AV060100 | 33800    | 11.70 | 14.00 |
| 3019811      | 113ANA036-E  | CAP**4221A**+TDR |                  | 34000    | 10.90 | 13.00 |
| 3019812      | 113ANA036-E  | CAP**4224A**     | 315(A,J)AV066135 | 33600    | 12.00 | 14.00 |
| 3019813      | 113ANA036-E  | CAP**4224A**     | 315(A,J)AV066155 | 33800    | 12.00 | 14.00 |
| 3038785      | 113ANA036-E  | CAP**4224A**     | 355(A,C)AV042040 | 33400    | 11.70 | 13.50 |
| 3019814      | 113ANA036-E  | CAP**4224A**     | 355(A,C)AV060120 | 33600    | 12.00 | 14.00 |
| 3019815      | 113ANA036-E  | CAP**4224A**     | 355AAV042040     | 33400    | 11.70 | 13.50 |
| 3019816      | 113ANA036-E  | CAP**4224A**+TDR |                  | 33800    | 10.90 | 13.00 |
| 3019817      | 113ANA036-E  | CNPF*3618A**+TDR |                  | 33800    | 10.90 | 13.00 |
| 3019829      | 113ANA036-E  | CNPH*3617A**     | 313*AV048070     | 33200    | 11.00 | 13.50 |
| 3019830      | 113ANA036-E  | CNPH*3617A**     | 313*AV048090     | 33400    | 11.70 | 14.00 |
| 3019831      | 113ANA036-E  | CNPH*3617A**     | 313*AV060110     | 33600    | 11.70 | 14.00 |
| 3019818      | 113ANA036-E  | CNPH*3617A**     | 315(A,J)AV036070 | 33200    | 11.50 | 13.50 |
| 3019819      | 113ANA036-E  | CNPH*3617A**     | 315(A,J)AV048090 | 33200    | 11.50 | 13.50 |
| 3019820      | 113ANA036-E  | CNPH*3617A**     | 315(A,J)AV060110 | 33400    | 11.50 | 13.50 |
| 3019821      | 113ANA036-E  | CNPH*3617A**     | 315(A,J)AV066135 | 33400    | 11.70 | 14.00 |
| 3019822      | 113ANA036-E  | CNPH*3617A**     | 315(A,J)AV066155 | 33400    | 11.70 | 14.00 |
| 3099601      | 113ANA036-E  | CNPH*3617A**     | 353AAV036040     | 33400    | 11.70 | 14.00 |
| 3099602      | 113ANA036-E  | CNPH*3617A**     | 353AAV036060     | 33400    | 11.70 | 14.00 |
| 3099603      | 113ANA036-E  | CNPH*3617A**     | 353AAV036080     | 33400    | 11.70 | 14.00 |
| 3099604      | 113ANA036-E  | CNPH*3617A**     | 353AAV048080     | 33400    | 11.70 | 14.00 |
| 3099605      | 113ANA036-E  | CNPH*3617A**     | 353AAV060100     | 33200    | 11.70 | 14.00 |
| 3038786      | 113ANA036-E  | CNPH*3617A**     | 355(A,C)AV042040 | 33200    | 11.50 | 13.50 |
| 3019823      | 113ANA036-E  | CNPH*3617A**     | 355(A,C)AV042060 | 33400    | 11.50 | 13.50 |
| 3019824      | 113ANA036-E  | CNPH*3617A**     | 355(A,C)AV042080 | 33200    | 11.50 | 13.50 |
| 3019825      | 113ANA036-E  | CNPH*3617A**     | 355(A,C)AV060080 | 33200    | 11.50 | 13.50 |
| 3019826      | 113ANA036-E  | CNPH*3617A**     | 355(A,C)AV060100 | 33400    | 11.50 | 13.50 |
| 3019827      | 113ANA036-E  | CNPH*3617A**     | 355(A,C)AV060120 | 33400    | 11.50 | 13.50 |
| 3019828      | 113ANA036-E  | CNPH*3617A**     | 355AAV042040     | 33200    | 11.50 | 13.50 |
| 3019832      | 113ANA036-E  | CNPH*3617A**+TDR |                  | 33800    | 10.90 | 13.00 |
| 3019844      | 113ANA036-E  | CNPH*4221A**     | 313*AV048070     | 33600    | 11.20 | 13.50 |
| 3019845      | 113ANA036-E  | CNPH*4221A**     | 313*AV048090     | 34000    | 12.00 | 14.00 |
| 3019846      | 113ANA036-E  | CNPH*4221A**     | 313*AV060110     | 34000    | 12.00 | 14.00 |
| 3019833      | 113ANA036-E  | CNPH*4221A**     | 315(A,J)AV036070 | 33600    | 11.50 | 13.50 |
| 3019834      | 113ANA036-E  | CNPH*4221A**     | 315(A,J)AV048090 | 33600    | 11.70 | 14.00 |
| 3019835      | 113ANA036-E  | CNPH*4221A**     | 315(A,J)AV060110 | 33800    | 11.70 | 14.00 |
| 3019836      | 113ANA036-E  | CNPH*4221A**     | 315(A,J)AV066135 | 33600    | 12.00 | 14.00 |
| 3019837      | 113ANA036-E  | CNPH*4221A**     | 315(A,J)AV066155 | 33800    | 12.00 | 14.00 |
| 3099606      | 113ANA036-E  | CNPH*4221A**     | 353AAV036040     | 33800    | 11.70 | 14.00 |
| 3099607      | 113ANA036-E  | CNPH*4221A**     | 353AAV036060     | 33800    | 11.70 | 14.00 |
| 3099608      | 113ANA036-E  | CNPH*4221A**     | 353AAV036080     | 33800    | 11.70 | 14.00 |
| 3099609      | 113ANA036-E  | CNPH*4221A**     | 353AAV048080     | 33800    | 11.70 | 14.00 |
| 3099610      | 113ANA036-E  | CNPH*4221A**     | 353AAV060100     | 33800    | 11.70 | 14.00 |
| 3038787      | 113ANA036-E  | CNPH*4221A**     | 355(A,C)AV042040 | 33400    | 11.50 | 13.50 |
| 3019838      | 113ANA036-E  | CNPH*4221A**     | 355(A,C)AV042060 | 33800    | 11.70 | 14.00 |
| 3019839      | 113ANA036-E  | CNPH*4221A**     | 355(A,C)AV042080 | 33600    | 11.50 | 13.50 |
| 3019840      | 113ANA036-E  | CNPH*4221A**     | 355(A,C)AV060080 | 33600    | 11.70 | 14.00 |
| 3019841      | 113ANA036-E  | CNPH*4221A**     | 355(A,C)AV060100 | 33800    | 11.70 | 14.00 |
| 3019842      | 113ANA036-E  | CNPH*4221A**     | 355(A,C)AV060120 | 33600    | 11.70 | 14.00 |
| 3019843      | 113ANA036-E  | CNPH*4221A**     | 355AAV042040     | 33400    | 11.50 | 13.50 |
| 3019847      | 113ANA036-E  | CNPH*4221A**+TDR |                  | 34000    | 10.90 | 13.00 |
| 3019850      | 113ANA036-E  | CNPV*3617A**     | 313*AV048070     | 33200    | 11.20 | 13.50 |
| 3019848      | 113ANA036-E  | CNPV*3617A**     | 315(A,J)AV048090 | 33200    | 11.50 | 13.50 |
| 3099587      | 113ANA036-E  | CNPV*3617A**     | 353AAV036040     | 33400    | 11.70 | 14.00 |
| 3099588      | 113ANA036-E  | CNPV*3617A**     | 353AAV036060     | 33400    | 11.70 | 14.00 |
| 3099589      | 113ANA036-E  | CNPV*3617A**     | 353AAV036080     | 33400    | 11.70 | 14.00 |
| 3099590      | 113ANA036-E  | CNPV*3617A**     | 353AAV048080     | 33400    | 11.70 | 14.00 |
| 3019849      | 113ANA036-E  | CNPV*3617A**     | 355(A,C)AV042060 | 33400    | 11.50 | 13.50 |
| 3019851      | 113ANA036-E  | CNPV*3617A**+TDR |                  | 33800    | 10.90 | 13.00 |
| 3019856      | 113ANA036-E  | CNPV*3621A**     | 313*AV048090     | 33400    | 11.70 | 14.00 |
| 3019857      | 113ANA036-E  | CNPV*3621A**     | 313*AV060110     | 33600    | 11.70 | 14.00 |
| 3019852      | 113ANA036-E  | CNPV*3621A**     | 315(A,J)AV060110 | 33400    | 11.50 | 13.50 |
| 3099591      | 113ANA036-E  | CNPV*3621A**     | 353AAV060100     | 33400    | 11.70 | 14.00 |
| 3019853      | 113ANA036-E  | CNPV*3621A**     | 355(A,C)AV042080 | 33200    | 11.50 | 13.50 |
| 3019854      | 113ANA036-E  | CNPV*3621A**     | 355(A,C)AV060080 | 33200    | 11.50 | 13.50 |
| 3019855      | 113ANA036-E  | CNPV*3621A**     | 355(A,C)AV060100 | 33400    | 11.50 | 13.50 |
| 3019858      | 113ANA036-E  | CNPV*3621A**+TDR |                  | 33800    | 10.90 | 13.00 |
| 3099595      | 113ANA036-E  | CNPV*4217A**     | 313*AV048070     | 33800    | 11.70 | 14.00 |
| 3099594      | 113ANA036-E  | CNPV*4217A**     | 315(A,J)AV048090 | 33800    | 11.70 | 14.00 |
| 3099596      | 113ANA036-E  | CNPV*4217A**     | 353AAV036040     | 33800    | 11.70 | 14.00 |
| 3099597      | 113ANA036-E  | CNPV*4217A**     | 353AAV036060     | 33800    | 11.70 | 14.00 |
| 3099598      | 113ANA036-E  | CNPV*4217A**     | 353AAV036080     | 33800    | 11.70 | 14.00 |
| 3099599      | 113ANA036-E  | CNPV*4217A**     | 353AAV048080     | 33800    | 11.70 | 14.00 |
| 3099593      | 113ANA036-E  | CNPV*4217A**     | 355(A,C)AV042060 | 33800    | 11.70 | 14.00 |
| 3099592      | 113ANA036-E  | CNPV*4217A**+TDR |                  | 33800    | 11.00 | 13.00 |

See notes on page 22

113A

# COMBINATION RATINGS CONTINUED

113A

| ARI Ref. No. | Model Number | Indoor Model      | Furnace Model    | Capacity | EER   | SEER  |
|--------------|--------------|-------------------|------------------|----------|-------|-------|
| 3019863      | 113ANA036-E  | CNPV*4221A**      | 313*AV048090     | 34000    | 12.00 | 14.00 |
| 3019864      | 113ANA036-E  | CNPV*4221A**      | 313*AV060110     | 34000    | 12.00 | 14.00 |
| 3019859      | 113ANA036-E  | CNPV*4221A**      | 315(A,J)AV060110 | 33800    | 11.70 | 14.00 |
| 3099600      | 113ANA036-E  | CNPV*4221A**      | 353AAV060100     | 33800    | 11.70 | 14.00 |
| 3019860      | 113ANA036-E  | CNPV*4221A**      | 355(A,C)AV042080 | 33600    | 11.50 | 13.50 |
| 3019861      | 113ANA036-E  | CNPV*4221A**      | 355(A,C)AV060080 | 33600    | 11.70 | 14.00 |
| 3019862      | 113ANA036-E  | CNPV*4221A**      | 355(A,C)AV060100 | 33800    | 11.70 | 14.00 |
| 3019865      | 113ANA036-E  | CNPV*4221A**+TDR  |                  | 34000    | 10.90 | 13.00 |
| 3019877      | 113ANA036-E  | CSPH*3612A**      | 313*AV048070     | 34000    | 11.50 | 13.50 |
| 3019878      | 113ANA036-E  | CSPH*3612A**      | 313*AV048090     | 34400    | 12.00 | 14.00 |
| 3019879      | 113ANA036-E  | CSPH*3612A**      | 313*AV060110     | 34400    | 12.00 | 14.00 |
| 3019866      | 113ANA036-E  | CSPH*3612A**      | 315(A,J)AV036070 | 33600    | 11.70 | 14.00 |
| 3019867      | 113ANA036-E  | CSPH*3612A**      | 315(A,J)AV048090 | 33600    | 12.00 | 14.00 |
| 3019868      | 113ANA036-E  | CSPH*3612A**      | 315(A,J)AV060110 | 33600    | 12.00 | 14.00 |
| 3019869      | 113ANA036-E  | CSPH*3612A**      | 315(A,J)AV066135 | 33600    | 12.00 | 14.00 |
| 3019870      | 113ANA036-E  | CSPH*3612A**      | 315(A,J)AV066155 | 33600    | 12.00 | 14.00 |
| 3099611      | 113ANA036-E  | CSPH*3612A**      | 353AAV036040     | 33800    | 11.70 | 14.00 |
| 3099612      | 113ANA036-E  | CSPH*3612A**      | 353AAV036060     | 33800    | 11.70 | 14.00 |
| 3099613      | 113ANA036-E  | CSPH*3612A**      | 353AAV036080     | 33800    | 11.70 | 14.00 |
| 3099614      | 113ANA036-E  | CSPH*3612A**      | 353AAV048080     | 33800    | 11.70 | 14.00 |
| 3099615      | 113ANA036-E  | CSPH*3612A**      | 353AAV060100     | 33800    | 11.70 | 14.00 |
| 3038788      | 113ANA036-E  | CSPH*3612A**      | 355(A,C)AV042040 | 33600    | 11.50 | 13.50 |
| 3019871      | 113ANA036-E  | CSPH*3612A**      | 355(A,C)AV042060 | 33600    | 12.00 | 14.00 |
| 3019872      | 113ANA036-E  | CSPH*3612A**      | 355(A,C)AV042080 | 33400    | 11.70 | 14.00 |
| 3019873      | 113ANA036-E  | CSPH*3612A**      | 355(A,C)AV060080 | 33600    | 11.70 | 14.00 |
| 3019874      | 113ANA036-E  | CSPH*3612A**      | 355(A,C)AV060100 | 33400    | 12.00 | 14.00 |
| 3019875      | 113ANA036-E  | CSPH*3612A**      | 355(A,C)AV060120 | 33600    | 12.00 | 14.00 |
| 3019876      | 113ANA036-E  | CSPH*3612A**      | 355AAV042040     | 33600    | 11.50 | 13.50 |
| 3019880      | 113ANA036-E  | CSPH*3612A**+TDR  |                  | 33800    | 11.00 | 13.00 |
| 3019892      | 113ANA036-E  | CSPH*4212A**      | 313*AV048070     | 34400    | 11.70 | 14.00 |
| 3019893      | 113ANA036-E  | CSPH*4212A**      | 313*AV048090     | 34600    | 12.00 | 14.00 |
| 3019894      | 113ANA036-E  | CSPH*4212A**      | 313*AV060110     | 34800    | 12.00 | 14.00 |
| 3019881      | 113ANA036-E  | CSPH*4212A**      | 315(A,J)AV036070 | 33600    | 11.70 | 14.00 |
| 3019882      | 113ANA036-E  | CSPH*4212A**      | 315(A,J)AV048090 | 33600    | 12.00 | 14.00 |
| 3019883      | 113ANA036-E  | CSPH*4212A**      | 315(A,J)AV060110 | 33800    | 12.00 | 14.00 |
| 3019884      | 113ANA036-E  | CSPH*4212A**      | 315(A,J)AV066135 | 33600    | 12.00 | 14.00 |
| 3019885      | 113ANA036-E  | CSPH*4212A**      | 315(A,J)AV066155 | 33800    | 12.00 | 14.00 |
| 3099616      | 113ANA036-E  | CSPH*4212A**      | 353AAV036040     | 33800    | 11.70 | 14.00 |
| 3099617      | 113ANA036-E  | CSPH*4212A**      | 353AAV036060     | 33800    | 11.70 | 14.00 |
| 3099618      | 113ANA036-E  | CSPH*4212A**      | 353AAV036080     | 33800    | 11.70 | 14.00 |
| 3099619      | 113ANA036-E  | CSPH*4212A**      | 353AAV048080     | 33800    | 11.70 | 14.00 |
| 3099620      | 113ANA036-E  | CSPH*4212A**      | 353AAV060100     | 33800    | 11.70 | 14.00 |
| 3038789      | 113ANA036-E  | CSPH*4212A**      | 355(A,C)AV042040 | 33600    | 11.70 | 14.00 |
| 3019886      | 113ANA036-E  | CSPH*4212A**      | 355(A,C)AV042060 | 33800    | 12.00 | 14.00 |
| 3019887      | 113ANA036-E  | CSPH*4212A**      | 355(A,C)AV042080 | 33600    | 11.70 | 14.00 |
| 3019888      | 113ANA036-E  | CSPH*4212A**      | 355(A,C)AV060080 | 33600    | 12.00 | 14.00 |
| 3019889      | 113ANA036-E  | CSPH*4212A**      | 355(A,C)AV060100 | 33800    | 12.00 | 14.00 |
| 3019890      | 113ANA036-E  | CSPH*4212A**      | 355(A,C)AV060120 | 33600    | 12.00 | 14.00 |
| 3019891      | 113ANA036-E  | CSPH*4212A**      | 355AAV042040     | 33600    | 11.70 | 14.00 |
| 3019895      | 113ANA036-E  | CSPH*4212A**+TDR  |                  | 34000    | 11.00 | 13.00 |
| 3019896      | 113ANA036-E  | FE4AN(B,F)003+UI  |                  | 33600    | 12.00 | 14.00 |
| 3019897      | 113ANA036-E  | FE4AN(B,F)005+UI  |                  | 34800    | 12.00 | 14.00 |
| 3019898      | 113ANA036-E  | FE4ANB006+UI      |                  | 35200    | 12.00 | 14.00 |
| 3019899      | 113ANA036-E  | FE4ANF002+UI      |                  | 33400    | 11.50 | 13.50 |
| 3019900      | 113ANA036-E  | FE5ANB004+UI      |                  | 35000    | 12.00 | 14.00 |
| 3019901      | 113ANA036-E  | FF1ENP036         |                  | 33600    | 10.90 | 13.00 |
| 3019902      | 113ANA036-E  | FV4BN(B,F)003     |                  | 33600    | 12.00 | 14.00 |
| 3019903      | 113ANA036-E  | FV4BN(B,F)005     |                  | 34800    | 12.00 | 14.00 |
| 3019904      | 113ANA036-E  | FV4BNB006         |                  | 35200    | 12.00 | 14.00 |
| 3019905      | 113ANA036-E  | FV4BNF002         |                  | 33400    | 11.50 | 13.50 |
| 3019906      | 113ANA036-E  | FX4CN(B,F)036     |                  | 34000    | 11.70 | 14.00 |
| 3019907      | 113ANA036-E  | FX4CN(B,F)042     |                  | 34800    | 11.70 | 14.00 |
| 3019908      | 113ANA036-E  | FY4ANF036         |                  | 33200    | 10.90 | 13.00 |
| 3019909      | 113ANA036-E  | FY4ANF042         |                  | 34200    | 11.00 | 13.00 |
| 3038790      | 113ANA042-C  | †CAP**4221A**+TDR |                  | 41000    | 11.00 | 13.00 |
| 3038791      | 113ANA042-C  | CAP**4221A**      | 313*AV048090     | 40500    | 11.70 | 14.00 |
| 3038792      | 113ANA042-C  | CAP**4221A**      | 313*AV060110     | 40500    | 12.00 | 14.00 |
| 3038820      | 113ANA042-C  | CAP**4221A**      | 315(A,J)AV060110 | 40500    | 11.20 | 13.50 |
| 3099512      | 113ANA042-C  | CAP**4221A**      | 353AAV060100     | 40500    | 11.70 | 14.00 |
| 3038819      | 113ANA042-C  | CAP**4221A**      | 355(A,C)AV042080 | 40000    | 11.20 | 13.50 |
| 3038793      | 113ANA042-C  | CAP**4224A**      | 313*AV060135     | 40500    | 12.00 | 14.00 |
| 3038823      | 113ANA042-C  | CAP**4224A**      | 315(A,J)AV066135 | 40500    | 11.50 | 14.00 |
| 3099513      | 113ANA042-C  | CAP**4224A**      | 353AAV060120     | 40500    | 12.00 | 14.00 |
| 3038822      | 113ANA042-C  | CAP**4224A**      | 355(A,C)AV042040 | 40000    | 11.20 | 13.50 |
| 3038821      | 113ANA042-C  | CAP**4224A**+TDR  |                  | 41000    | 11.00 | 13.00 |
| 3038794      | 113ANA042-C  | CAP**4817A**      | 313*AV048070     | 39500    | 11.20 | 13.50 |
| 3038826      | 113ANA042-C  | CAP**4817A**      | 315(A,J)AV048090 | 40000    | 11.50 | 14.00 |
| 3099514      | 113ANA042-C  | CAP**4817A**      | 353AAV036040     | 41000    | 11.70 | 14.00 |

See notes on page 22

# COMBINATION RATINGS CONTINUED

| ARI Ref. No. | Model Number | Indoor Model     | Furnace Model    | Capacity | EER   | SEER  |
|--------------|--------------|------------------|------------------|----------|-------|-------|
| 3099515      | 113ANA042-C  | CAP**4817A**     | 353AAV036060     | 41000    | 11.70 | 14.00 |
| 3099516      | 113ANA042-C  | CAP**4817A**     | 353AAV036080     | 41000    | 11.70 | 14.00 |
| 3099517      | 113ANA042-C  | CAP**4817A**     | 353AAV048080     | 41000    | 11.70 | 14.00 |
| 3038825      | 113ANA042-C  | CAP**4817A**     | 355(A,C)AV042060 | 40000    | 11.50 | 14.00 |
| 3038824      | 113ANA042-C  | CAP**4817A**+TDR |                  | 40500    | 11.00 | 13.20 |
| 3038795      | 113ANA042-C  | CAP**4821A**     | 313*AV048090     | 41000    | 12.00 | 14.00 |
| 3038796      | 113ANA042-C  | CAP**4821A**     | 313*AV060110     | 41000    | 12.00 | 14.00 |
| 3038829      | 113ANA042-C  | CAP**4821A**     | 315(A,J)AV060110 | 41000    | 11.50 | 14.00 |
| 3099518      | 113ANA042-C  | CAP**4821A**     | 353AAV060100     | 41000    | 12.00 | 14.00 |
| 3038828      | 113ANA042-C  | CAP**4821A**     | 355(A,C)AV042080 | 40500    | 11.20 | 13.50 |
| 3038827      | 113ANA042-C  | CAP**4821A**+TDR |                  | 41500    | 11.00 | 13.20 |
| 3038797      | 113ANA042-C  | CAP**4824A**     | 313*AV060135     | 41000    | 12.00 | 14.00 |
| 3038832      | 113ANA042-C  | CAP**4824A**     | 315(A,J)AV066135 | 41000    | 11.70 | 14.00 |
| 3038831      | 113ANA042-C  | CAP**4824A**     | 355(A,C)AV042040 | 41000    | 11.20 | 13.50 |
| 3038830      | 113ANA042-C  | CAP**4824A**+TDR |                  | 41500    | 11.00 | 13.20 |
| 3038848      | 113ANA042-C  | CNPF*4818A**+TDR |                  | 41500    | 11.00 | 13.20 |
| 3038803      | 113ANA042-C  | CNPH*4221A**     | 313*AV048070     | 40000    | 11.20 | 13.20 |
| 3038804      | 113ANA042-C  | CNPH*4221A**     | 313*AV048090     | 40500    | 11.70 | 14.00 |
| 3038805      | 113ANA042-C  | CNPH*4221A**     | 313*AV060110     | 40500    | 12.00 | 14.00 |
| 3038806      | 113ANA042-C  | CNPH*4221A**     | 313*AV060135     | 40500    | 11.70 | 14.00 |
| 3038844      | 113ANA042-C  | CNPH*4221A**     | 315(A,J)AV036070 | 40500    | 11.20 | 13.50 |
| 3099530      | 113ANA042-C  | CNPH*4221A**     | 353AAV036040     | 40500    | 11.70 | 14.00 |
| 3099531      | 113ANA042-C  | CNPH*4221A**     | 353AAV036060     | 40500    | 11.50 | 13.50 |
| 3099532      | 113ANA042-C  | CNPH*4221A**     | 353AAV036080     | 40500    | 11.70 | 14.00 |
| 3099533      | 113ANA042-C  | CNPH*4221A**     | 353AAV048080     | 40000    | 11.70 | 14.00 |
| 3099534      | 113ANA042-C  | CNPH*4221A**     | 353AAV060100     | 40500    | 11.70 | 14.00 |
| 3099535      | 113ANA042-C  | CNPH*4221A**     | 353AAV060120     | 40500    | 11.70 | 14.00 |
| 3038843      | 113ANA042-C  | CNPH*4221A**     | 355(A,C)AV042040 | 40000    | 11.20 | 13.50 |
| 3038842      | 113ANA042-C  | CNPH*4221A**+TDR |                  | 41000    | 11.00 | 13.00 |
| 3038807      | 113ANA042-C  | CNPH*4821A**     | 313*AV048070     | 41000    | 11.20 | 13.50 |
| 3038808      | 113ANA042-C  | CNPH*4821A**     | 313*AV048090     | 41000    | 12.00 | 14.00 |
| 3038809      | 113ANA042-C  | CNPH*4821A**     | 313*AV060110     | 41000    | 12.00 | 14.00 |
| 3038810      | 113ANA042-C  | CNPH*4821A**     | 313*AV060135     | 41000    | 12.00 | 14.00 |
| 3038847      | 113ANA042-C  | CNPH*4821A**     | 315(A,J)AV036070 | 41000    | 11.20 | 13.50 |
| 3099536      | 113ANA042-C  | CNPH*4821A**     | 353AAV036040     | 41000    | 11.70 | 14.00 |
| 3099537      | 113ANA042-C  | CNPH*4821A**     | 353AAV036060     | 41000    | 11.70 | 14.00 |
| 3099538      | 113ANA042-C  | CNPH*4821A**     | 353AAV036080     | 41000    | 11.70 | 14.00 |
| 3099539      | 113ANA042-C  | CNPH*4821A**     | 353AAV048080     | 41000    | 11.70 | 14.00 |
| 3099540      | 113ANA042-C  | CNPH*4821A**     | 353AAV060100     | 41000    | 12.00 | 14.00 |
| 3099541      | 113ANA042-C  | CNPH*4821A**     | 353AAV060120     | 41000    | 12.00 | 14.00 |
| 3038846      | 113ANA042-C  | CNPH*4821A**     | 355(A,C)AV042040 | 40500    | 11.20 | 13.50 |
| 3038845      | 113ANA042-C  | CNPH*4821A**+TDR |                  | 41500    | 11.00 | 13.20 |
| 3099522      | 113ANA042-C  | CNPV*4217A**     | 313*AV048070     | 40500    | 11.20 | 13.50 |
| 3099521      | 113ANA042-C  | CNPV*4217A**     | 315(A,J)AV048090 | 40500    | 11.70 | 14.00 |
| 3099523      | 113ANA042-C  | CNPV*4217A**     | 353AAV036040     | 41000    | 11.70 | 14.00 |
| 3099524      | 113ANA042-C  | CNPV*4217A**     | 353AAV036060     | 41000    | 11.70 | 14.00 |
| 3099525      | 113ANA042-C  | CNPV*4217A**     | 353AAV036080     | 41000    | 11.70 | 14.00 |
| 3099526      | 113ANA042-C  | CNPV*4217A**     | 353AAV048080     | 40500    | 11.70 | 14.00 |
| 3099520      | 113ANA042-C  | CNPV*4217A**     | 355(A,C)AV042060 | 40500    | 11.50 | 13.50 |
| 3099519      | 113ANA042-C  | CNPV*4217A**+TDR |                  | 41000    | 11.00 | 13.00 |
| 3038798      | 113ANA042-C  | CNPV*4221A**     | 313*AV048090     | 40500    | 11.70 | 14.00 |
| 3038799      | 113ANA042-C  | CNPV*4221A**     | 313*AV060110     | 40500    | 12.00 | 14.00 |
| 3038835      | 113ANA042-C  | CNPV*4221A**     | 315(A,J)AV060110 | 40500    | 11.50 | 14.00 |
| 3099527      | 113ANA042-C  | CNPV*4221A**     | 353AAV060100     | 40500    | 11.70 | 14.00 |
| 3038834      | 113ANA042-C  | CNPV*4221A**     | 355(A,C)AV042080 | 40000    | 11.20 | 13.50 |
| 3038833      | 113ANA042-C  | CNPV*4221A**+TDR |                  | 41000    | 11.00 | 13.00 |
| 3038800      | 113ANA042-C  | CNPV*4821A**     | 313*AV048090     | 41000    | 12.00 | 14.00 |
| 3038801      | 113ANA042-C  | CNPV*4821A**     | 313*AV060110     | 41000    | 12.00 | 14.00 |
| 3038838      | 113ANA042-C  | CNPV*4821A**     | 315(A,J)AV060110 | 41000    | 11.50 | 14.00 |
| 3099528      | 113ANA042-C  | CNPV*4821A**     | 353AAV060100     | 41000    | 12.00 | 14.00 |
| 3038837      | 113ANA042-C  | CNPV*4821A**     | 355(A,C)AV042080 | 40500    | 11.20 | 13.50 |
| 3038836      | 113ANA042-C  | CNPV*4821A**+TDR |                  | 41500    | 11.00 | 13.20 |
| 3038802      | 113ANA042-C  | CNPV*4824A**     | 313*AV060135     | 41000    | 12.00 | 14.00 |
| 3038841      | 113ANA042-C  | CNPV*4824A**     | 315(A,J)AV066135 | 41000    | 11.70 | 14.00 |
| 3099529      | 113ANA042-C  | CNPV*4824A**     | 353AAV060120     | 41000    | 12.00 | 14.00 |
| 3038840      | 113ANA042-C  | CNPV*4824A**     | 355(A,C)AV042040 | 41000    | 11.20 | 13.50 |
| 3038839      | 113ANA042-C  | CNPV*4824A**+TDR |                  | 41500    | 11.00 | 13.20 |
| 3038811      | 113ANA042-C  | CSPH*4212A**     | 313*AV048070     | 40500    | 11.50 | 13.50 |
| 3038812      | 113ANA042-C  | CSPH*4212A**     | 313*AV048090     | 40500    | 11.70 | 14.00 |
| 3038813      | 113ANA042-C  | CSPH*4212A**     | 313*AV060110     | 40500    | 12.00 | 14.00 |
| 3038814      | 113ANA042-C  | CSPH*4212A**     | 313*AV060135     | 40500    | 12.00 | 14.00 |
| 3038851      | 113ANA042-C  | CSPH*4212A**     | 315(A,J)AV036070 | 40500    | 11.20 | 13.50 |
| 3099542      | 113ANA042-C  | CSPH*4212A**     | 353AAV036040     | 41000    | 11.70 | 14.00 |
| 3099543      | 113ANA042-C  | CSPH*4212A**     | 353AAV036060     | 41000    | 11.70 | 14.00 |
| 3099544      | 113ANA042-C  | CSPH*4212A**     | 353AAV036080     | 41000    | 11.70 | 14.00 |
| 3099545      | 113ANA042-C  | CSPH*4212A**     | 353AAV048080     | 41000    | 11.70 | 14.00 |
| 3099546      | 113ANA042-C  | CSPH*4212A**     | 353AAV060100     | 41000    | 12.00 | 14.00 |
| 3099547      | 113ANA042-C  | CSPH*4212A**     | 353AAV060120     | 41000    | 12.00 | 14.00 |
| 3038850      | 113ANA042-C  | CSPH*4212A**     | 355(A,C)AV042040 | 40000    | 11.20 | 13.50 |

See notes on page 22

# COMBINATION RATINGS CONTINUED

| ARI Ref. No. | Model Number | Indoor Model      | Furnace Model    | Capacity | EER   | SEER  |
|--------------|--------------|-------------------|------------------|----------|-------|-------|
| 3038849      | 113ANA042-C  | CSPH*4212A**+TDR  |                  | 41000    | 11.00 | 13.20 |
| 3038815      | 113ANA042-C  | CSPH*4812A**      | 313*AV048070     | 41000    | 11.20 | 13.50 |
| 3038816      | 113ANA042-C  | CSPH*4812A**      | 313*AV048090     | 41000    | 12.00 | 14.00 |
| 3038817      | 113ANA042-C  | CSPH*4812A**      | 313*AV060110     | 41000    | 12.00 | 14.00 |
| 3038818      | 113ANA042-C  | CSPH*4812A**      | 313*AV060135     | 41000    | 12.00 | 14.00 |
| 3038854      | 113ANA042-C  | CSPH*4812A**      | 315(A,J)AV036070 | 41000    | 11.20 | 13.50 |
| 3099548      | 113ANA042-C  | CSPH*4812A**      | 353AAV036040     | 41000    | 11.70 | 14.00 |
| 3099549      | 113ANA042-C  | CSPH*4812A**      | 353AAV036060     | 41000    | 11.70 | 14.00 |
| 3099550      | 113ANA042-C  | CSPH*4812A**      | 353AAV036080     | 41000    | 11.70 | 14.00 |
| 3099551      | 113ANA042-C  | CSPH*4812A**      | 353AAV048080     | 41000    | 11.70 | 14.00 |
| 3099552      | 113ANA042-C  | CSPH*4812A**      | 353AAV060100     | 41000    | 12.00 | 14.00 |
| 3099553      | 113ANA042-C  | CSPH*4812A**      | 353AAV060120     | 41000    | 12.00 | 14.00 |
| 3038853      | 113ANA042-C  | CSPH*4812A**      | 355(A,C)AV042040 | 41000    | 11.20 | 13.50 |
| 3038852      | 113ANA042-C  | CSPH*4812A**+TDR  |                  | 41500    | 11.00 | 13.20 |
| 3038859      | 113ANA042-C  | FV4BN(B,F)003     |                  | 40500    | 11.50 | 14.00 |
| 3038860      | 113ANA042-C  | FV4BN(B,F)005     |                  | 41500    | 11.70 | 14.00 |
| 3038861      | 113ANA042-C  | FV4BNB006         |                  | 42500    | 12.00 | 14.00 |
| 3038857      | 113ANA042-C  | FX4CN(B,F)042     |                  | 41500    | 11.20 | 13.50 |
| 3038858      | 113ANA042-C  | FX4CN(B,F)048     |                  | 42500    | 11.50 | 14.00 |
| 3038855      | 113ANA042-C  | FY4ANF042         |                  | 41000    | 11.00 | 13.00 |
| 3038856      | 113ANA042-C  | FY4ANF048         |                  | 42000    | 11.00 | 13.20 |
| 3023122      | 113ANA048-E  | †CAP**4821A**+TDR |                  | 46000    | 11.00 | 13.20 |
| 3022956      | 113ANA048-E  | CAP**4817A**      | 315(A,J)AV048090 | 45000    | 11.50 | 13.50 |
| 3099561      | 113ANA048-E  | CAP**4817A**      | 353AAV048080     | 45000    | 11.00 | 13.50 |
| 3023121      | 113ANA048-E  | CAP**4817A**+TDR  |                  | 45000    | 11.00 | 13.20 |
| 3022960      | 113ANA048-E  | CAP**4821A**      | 313*AV048090     | 45000    | 11.70 | 13.50 |
| 3022961      | 113ANA048-E  | CAP**4821A**      | 313*AV060110     | 45000    | 11.70 | 14.00 |
| 3022959      | 113ANA048-E  | CAP**4821A**      | 315(A,J)AV060110 | 45000    | 11.70 | 13.50 |
| 3099562      | 113ANA048-E  | CAP**4821A**      | 353AAV060100     | 45000    | 11.70 | 14.00 |
| 3022957      | 113ANA048-E  | CAP**4821A**      | 355(A,C)AV060080 | 44500    | 11.50 | 13.50 |
| 3022958      | 113ANA048-E  | CAP**4821A**      | 355(A,C)AV060100 | 45000    | 11.20 | 13.50 |
| 3022965      | 113ANA048-E  | CAP**4824A**      | 313*AV060135     | 45500    | 11.70 | 13.50 |
| 3022963      | 113ANA048-E  | CAP**4824A**      | 315(A,J)AV066135 | 45000    | 11.70 | 14.00 |
| 3022964      | 113ANA048-E  | CAP**4824A**      | 315(A,J)AV066155 | 45000    | 12.00 | 14.00 |
| 3099563      | 113ANA048-E  | CAP**4824A**      | 353AAV060120     | 45000    | 11.70 | 14.00 |
| 3022962      | 113ANA048-E  | CAP**4824A**      | 355(A,C)AV060120 | 45000    | 11.50 | 13.50 |
| 3023123      | 113ANA048-E  | CAP**4824A**+TDR  |                  | 45500    | 11.00 | 13.20 |
| 3022969      | 113ANA048-E  | CAP**6021A**      | 313*AV048090     | 46000    | 12.00 | 14.00 |
| 3022970      | 113ANA048-E  | CAP**6021A**      | 313*AV060110     | 46000    | 12.00 | 14.00 |
| 3022968      | 113ANA048-E  | CAP**6021A**      | 315(A,J)AV060110 | 46000    | 12.00 | 14.00 |
| 3099564      | 113ANA048-E  | CAP**6021A**      | 353AAV060100     | 45000    | 12.00 | 14.00 |
| 3022966      | 113ANA048-E  | CAP**6021A**      | 355(A,C)AV060080 | 45000    | 11.70 | 13.50 |
| 3022967      | 113ANA048-E  | CAP**6021A**      | 355(A,C)AV060100 | 46000    | 11.70 | 13.50 |
| 3023124      | 113ANA048-E  | CAP**6021A**+TDR  |                  | 46000    | 11.20 | 13.20 |
| 3022974      | 113ANA048-E  | CAP**6024A**      | 313*AV060135     | 46000    | 12.00 | 14.00 |
| 3022972      | 113ANA048-E  | CAP**6024A**      | 315(A,J)AV066135 | 46000    | 12.00 | 14.00 |
| 3022973      | 113ANA048-E  | CAP**6024A**      | 315(A,J)AV066155 | 46000    | 12.20 | 14.50 |
| 3099565      | 113ANA048-E  | CAP**6024A**      | 353AAV060120     | 45000    | 12.00 | 14.00 |
| 3022971      | 113ANA048-E  | CAP**6024A**      | 355(A,C)AV060120 | 46000    | 11.70 | 14.00 |
| 3023125      | 113ANA048-E  | CAP**6024A**+TDR  |                  | 46500    | 11.20 | 13.20 |
| 3023126      | 113ANA048-E  | CNPF*4818A**+TDR  |                  | 45000    | 11.00 | 13.20 |
| 3022995      | 113ANA048-E  | CNPH*4821A**      | 313*AV048090     | 45000    | 11.70 | 13.50 |
| 3022996      | 113ANA048-E  | CNPH*4821A**      | 313*AV060110     | 45000    | 11.70 | 14.00 |
| 3022997      | 113ANA048-E  | CNPH*4821A**      | 313*AV060135     | 45500    | 11.70 | 13.50 |
| 3022991      | 113ANA048-E  | CNPH*4821A**      | 315(A,J)AV048090 | 45000    | 11.70 | 13.50 |
| 3022992      | 113ANA048-E  | CNPH*4821A**      | 315(A,J)AV060110 | 45000    | 11.70 | 13.50 |
| 3022993      | 113ANA048-E  | CNPH*4821A**      | 315(A,J)AV066135 | 45000    | 11.70 | 14.00 |
| 3022994      | 113ANA048-E  | CNPH*4821A**      | 315(A,J)AV066155 | 45500    | 12.00 | 14.00 |
| 3099569      | 113ANA048-E  | CNPH*4821A**      | 353AAV048080     | 45000    | 11.50 | 13.50 |
| 3099570      | 113ANA048-E  | CNPH*4821A**      | 353AAV060100     | 45000    | 11.70 | 14.00 |
| 3099571      | 113ANA048-E  | CNPH*4821A**      | 353AAV060120     | 45000    | 11.70 | 14.00 |
| 3022988      | 113ANA048-E  | CNPH*4821A**      | 355(A,C)AV060080 | 44500    | 11.50 | 13.50 |
| 3022989      | 113ANA048-E  | CNPH*4821A**      | 355(A,C)AV060100 | 45000    | 11.20 | 13.50 |
| 3022990      | 113ANA048-E  | CNPH*4821A**      | 355(A,C)AV060120 | 45000    | 11.70 | 13.50 |
| 3023127      | 113ANA048-E  | CNPH*4821A**+TDR  |                  | 45500    | 11.00 | 13.20 |
| 3023005      | 113ANA048-E  | CNPH*6024A**      | 313*AV048090     | 46000    | 11.70 | 14.00 |
| 3023006      | 113ANA048-E  | CNPH*6024A**      | 313*AV060110     | 46000    | 12.00 | 14.00 |
| 3023007      | 113ANA048-E  | CNPH*6024A**      | 313*AV060135     | 46000    | 12.00 | 14.00 |
| 3023001      | 113ANA048-E  | CNPH*6024A**      | 315(A,J)AV048090 | 46000    | 11.70 | 14.00 |
| 3023002      | 113ANA048-E  | CNPH*6024A**      | 315(A,J)AV060110 | 46000    | 12.00 | 14.00 |
| 3023003      | 113ANA048-E  | CNPH*6024A**      | 315(A,J)AV066135 | 46000    | 12.00 | 14.00 |
| 3023004      | 113ANA048-E  | CNPH*6024A**      | 315(A,J)AV066155 | 46000    | 12.20 | 14.50 |
| 3099572      | 113ANA048-E  | CNPH*6024A**      | 353AAV048080     | 45000    | 11.50 | 13.50 |
| 3099573      | 113ANA048-E  | CNPH*6024A**      | 353AAV060100     | 45000    | 12.00 | 14.00 |
| 3099574      | 113ANA048-E  | CNPH*6024A**      | 353AAV060120     | 45000    | 12.00 | 14.00 |
| 3022998      | 113ANA048-E  | CNPH*6024A**      | 355(A,C)AV060080 | 45500    | 11.70 | 13.50 |
| 3022999      | 113ANA048-E  | CNPH*6024A**      | 355(A,C)AV060100 | 46000    | 11.70 | 13.50 |
| 3023000      | 113ANA048-E  | CNPH*6024A**      | 355(A,C)AV060120 | 46000    | 11.70 | 14.00 |

See notes on page 22

# COMBINATION RATINGS CONTINUED

| ARI Ref. No. | Model Number | Indoor Model      | Furnace Model    | Capacity | EER   | SEER  |
|--------------|--------------|-------------------|------------------|----------|-------|-------|
| 3023128      | 113ANA048-E  | CNPH*6024A**+TDR  |                  | 46500    | 11.20 | 13.20 |
| 3022978      | 113ANA048-E  | CNPV*4821A**      | 313*AV048090     | 45000    | 11.70 | 13.50 |
| 3022979      | 113ANA048-E  | CNPV*4821A**      | 313*AV060110     | 45000    | 11.70 | 14.00 |
| 3022977      | 113ANA048-E  | CNPV*4821A**      | 315(A,J)AV060110 | 45000    | 11.70 | 13.50 |
| 3099566      | 113ANA048-E  | CNPV*4821A**      | 353AAV060100     | 45000    | 11.70 | 14.00 |
| 3022975      | 113ANA048-E  | CNPV*4821A**      | 355(A,C)AV060080 | 44500    | 11.50 | 13.50 |
| 3022976      | 113ANA048-E  | CNPV*4821A**      | 355(A,C)AV060100 | 45000    | 11.20 | 13.50 |
| 3023129      | 113ANA048-E  | CNPV*4821A**+TDR  |                  | 45500    | 11.00 | 13.20 |
| 3022983      | 113ANA048-E  | CNPV*4824A**      | 313*AV060135     | 45500    | 11.70 | 13.50 |
| 3022981      | 113ANA048-E  | CNPV*4824A**      | 315(A,J)AV066135 | 45000    | 11.70 | 14.00 |
| 3022982      | 113ANA048-E  | CNPV*4824A**      | 315(A,J)AV066155 | 45000    | 12.00 | 14.00 |
| 3099567      | 113ANA048-E  | CNPV*4824A**      | 353AAV060120     | 45000    | 11.70 | 14.00 |
| 3022980      | 113ANA048-E  | CNPV*4824A**      | 355(A,C)AV060120 | 45000    | 11.50 | 13.50 |
| 3023130      | 113ANA048-E  | CNPV*4824A**+TDR  |                  | 45500    | 11.00 | 13.20 |
| 3022987      | 113ANA048-E  | CNPV*6024A**      | 313*AV060135     | 46000    | 12.00 | 14.00 |
| 3022985      | 113ANA048-E  | CNPV*6024A**      | 315(A,J)AV066135 | 46000    | 12.00 | 14.00 |
| 3022986      | 113ANA048-E  | CNPV*6024A**      | 315(A,J)AV066155 | 46000    | 12.20 | 14.50 |
| 3099568      | 113ANA048-E  | CNPV*6024A**      | 353AAV060120     | 45000    | 12.00 | 14.00 |
| 3022984      | 113ANA048-E  | CNPV*6024A**      | 355(A,C)AV060120 | 46000    | 11.70 | 14.00 |
| 3023131      | 113ANA048-E  | CNPV*6024A**+TDR  |                  | 46500    | 11.20 | 13.20 |
| 3023015      | 113ANA048-E  | CSPH*4812A**      | 313*AV048090     | 45000    | 11.70 | 13.50 |
| 3023016      | 113ANA048-E  | CSPH*4812A**      | 313*AV060110     | 45000    | 11.70 | 14.00 |
| 3023017      | 113ANA048-E  | CSPH*4812A**      | 313*AV060135     | 45500    | 11.70 | 13.50 |
| 3023011      | 113ANA048-E  | CSPH*4812A**      | 315(A,J)AV048090 | 45500    | 11.70 | 13.50 |
| 3023012      | 113ANA048-E  | CSPH*4812A**      | 315(A,J)AV060110 | 45000    | 11.70 | 13.50 |
| 3023013      | 113ANA048-E  | CSPH*4812A**      | 315(A,J)AV066135 | 45000    | 11.70 | 14.00 |
| 3023014      | 113ANA048-E  | CSPH*4812A**      | 315(A,J)AV066155 | 45000    | 12.00 | 14.00 |
| 3099575      | 113ANA048-E  | CSPH*4812A**      | 353AAV048080     | 45000    | 11.50 | 13.50 |
| 3099576      | 113ANA048-E  | CSPH*4812A**      | 353AAV060100     | 45000    | 11.70 | 14.00 |
| 3099577      | 113ANA048-E  | CSPH*4812A**      | 353AAV060120     | 45000    | 11.70 | 14.00 |
| 3023008      | 113ANA048-E  | CSPH*4812A**      | 355(A,C)AV060080 | 44500    | 11.50 | 13.50 |
| 3023009      | 113ANA048-E  | CSPH*4812A**      | 355(A,C)AV060100 | 45000    | 11.20 | 13.50 |
| 3023010      | 113ANA048-E  | CSPH*4812A**      | 355(A,C)AV060120 | 45000    | 11.50 | 13.50 |
| 3023132      | 113ANA048-E  | CSPH*4812A**+TDR  |                  | 46000    | 11.00 | 13.20 |
| 3023025      | 113ANA048-E  | CSPH*6012A**      | 313*AV048090     | 46000    | 12.00 | 14.00 |
| 3023026      | 113ANA048-E  | CSPH*6012A**      | 313*AV060110     | 46000    | 12.00 | 14.00 |
| 3023027      | 113ANA048-E  | CSPH*6012A**      | 313*AV060135     | 46000    | 12.00 | 14.00 |
| 3023021      | 113ANA048-E  | CSPH*6012A**      | 315(A,J)AV048090 | 46000    | 12.00 | 14.00 |
| 3023022      | 113ANA048-E  | CSPH*6012A**      | 315(A,J)AV060110 | 46000    | 12.00 | 14.00 |
| 3023023      | 113ANA048-E  | CSPH*6012A**      | 315(A,J)AV066135 | 46000    | 12.00 | 14.00 |
| 3023024      | 113ANA048-E  | CSPH*6012A**      | 315(A,J)AV066155 | 46000    | 12.20 | 14.50 |
| 3099578      | 113ANA048-E  | CSPH*6012A**      | 353AAV048080     | 45000    | 11.70 | 14.00 |
| 3099579      | 113ANA048-E  | CSPH*6012A**      | 353AAV060100     | 45000    | 12.00 | 14.00 |
| 3099580      | 113ANA048-E  | CSPH*6012A**      | 353AAV060120     | 45000    | 12.00 | 14.00 |
| 3023018      | 113ANA048-E  | CSPH*6012A**      | 355(A,C)AV060080 | 45500    | 11.70 | 13.50 |
| 3023019      | 113ANA048-E  | CSPH*6012A**      | 355(A,C)AV060100 | 46000    | 11.70 | 13.50 |
| 3023020      | 113ANA048-E  | CSPH*6012A**      | 355(A,C)AV060120 | 46000    | 11.70 | 14.00 |
| 3023133      | 113ANA048-E  | CSPH*6012A**+TDR  |                  | 46500    | 11.20 | 13.20 |
| 3023134      | 113ANA048-E  | FE4AN(B,F)005+UI  |                  | 46000    | 12.00 | 14.00 |
| 3023135      | 113ANA048-E  | FE4ANB006+UI      |                  | 46500    | 12.20 | 14.50 |
| 3023136      | 113ANA048-E  | FV4BN(B,F)005     |                  | 46000    | 12.00 | 14.00 |
| 3023137      | 113ANA048-E  | FV4BNB006         |                  | 46500    | 12.20 | 14.50 |
| 3023138      | 113ANA048-E  | FX4CN(B,F)048     |                  | 46000    | 12.00 | 14.00 |
| 3023139      | 113ANA048-E  | FX4CN(B,F)060     |                  | 47500    | 12.00 | 14.00 |
| 3023140      | 113ANA048-E  | FY4ANB060         |                  | 46500    | 11.20 | 13.20 |
| 3023141      | 113ANA048-E  | FY4ANF048         |                  | 45500    | 11.20 | 13.20 |
| 3043558      | 113ANA060-F  | †CAP**6024A**+TDR |                  | 57500    | 11.00 | 13.00 |
| 3043559      | 113ANA060-F  | CAP**6021A**      | 313*AV048090     | 55500    | 11.00 | 13.20 |
| 3043560      | 113ANA060-F  | CAP**6021A**      | 313*AV060110     | 56000    | 11.20 | 13.20 |
| 3043572      | 113ANA060-F  | CAP**6021A**      | 315(A,J)AV060110 | 56000    | 11.00 | 13.20 |
| 3099554      | 113ANA060-F  | CAP**6021A**      | 353AAV060100     | 56500    | 11.00 | 13.20 |
| 3043570      | 113ANA060-F  | CAP**6021A**      | 355(A,C)AV060080 | 56000    | 10.60 | 13.00 |
| 3043571      | 113ANA060-F  | CAP**6021A**      | 355(A,C)AV060100 | 56000    | 10.80 | 13.00 |
| 3043569      | 113ANA060-F  | CAP**6021A**+TDR  |                  | 56500    | 11.00 | 13.00 |
| 3043561      | 113ANA060-F  | CAP**6024A**      | 313*AV060135     | 56000    | 11.00 | 13.20 |
| 3043574      | 113ANA060-F  | CAP**6024A**      | 315(A,J)AV066135 | 56500    | 11.00 | 13.20 |
| 3043575      | 113ANA060-F  | CAP**6024A**      | 315(A,J)AV066155 | 56500    | 11.20 | 13.50 |
| 3099555      | 113ANA060-F  | CAP**6024A**      | 353AAV060120     | 56500    | 11.00 | 13.20 |
| 3043573      | 113ANA060-F  | CAP**6024A**      | 355(A,C)AV060120 | 56500    | 11.00 | 13.00 |
| 3043563      | 113ANA060-F  | CNPH*6024A**      | 313*AV048090     | 56000    | 11.00 | 13.20 |
| 3043564      | 113ANA060-F  | CNPH*6024A**      | 313*AV060110     | 56500    | 11.20 | 13.20 |
| 3043565      | 113ANA060-F  | CNPH*6024A**      | 313*AV060135     | 56000    | 11.00 | 13.20 |
| 3043580      | 113ANA060-F  | CNPH*6024A**      | 315(A,J)AV066135 | 56000    | 11.20 | 13.50 |
| 3043581      | 113ANA060-F  | CNPH*6024A**      | 315(A,J)AV066155 | 56500    | 11.20 | 13.50 |
| 3099557      | 113ANA060-F  | CNPH*6024A**      | 353AAV060100     | 56500    | 11.00 | 13.20 |
| 3099558      | 113ANA060-F  | CNPH*6024A**      | 353AAV060120     | 56500    | 11.00 | 13.20 |
| 3043579      | 113ANA060-F  | CNPH*6024A**+TDR  |                  | 57000    | 11.00 | 13.00 |
| 3043562      | 113ANA060-F  | CNPV*6024A**      | 313*AV060135     | 56000    | 11.00 | 13.20 |

See notes on page 22

113A

## COMBINATION RATINGS CONTINUED

| ARI Ref. No. | Model Number | Indoor Model     | Furnace Model    | Capacity | EER   | SEER  |
|--------------|--------------|------------------|------------------|----------|-------|-------|
| 3043577      | 113ANA060-F  | CNPV*6024A**     | 315(A,J)AV066135 | 56000    | 11.00 | 13.50 |
| 3043578      | 113ANA060-F  | CNPV*6024A**     | 315(A,J)AV066155 | 56500    | 11.20 | 13.50 |
| 3099556      | 113ANA060-F  | CNPV*6024A**     | 353AAV060120     | 56500    | 11.00 | 13.20 |
| 3043576      | 113ANA060-F  | CNPV*6024A**+TDR |                  | 57000    | 11.00 | 13.00 |
| 3043566      | 113ANA060-F  | CSPH*6012A**     | 313*AV048090     | 56000    | 11.00 | 13.20 |
| 3043567      | 113ANA060-F  | CSPH*6012A**     | 313*AV060110     | 56500    | 11.20 | 13.20 |
| 3043568      | 113ANA060-F  | CSPH*6012A**     | 313*AV060135     | 56000    | 11.00 | 13.20 |
| 3043583      | 113ANA060-F  | CSPH*6012A**     | 315(A,J)AV060110 | 56500    | 11.00 | 13.20 |
| 3043584      | 113ANA060-F  | CSPH*6012A**     | 315(A,J)AV066135 | 56500    | 11.20 | 13.50 |
| 3043585      | 113ANA060-F  | CSPH*6012A**     | 315(A,J)AV066155 | 56500    | 11.20 | 13.50 |
| 3099559      | 113ANA060-F  | CSPH*6012A**     | 353AAV060100     | 56500    | 11.00 | 13.20 |
| 3099560      | 113ANA060-F  | CSPH*6012A**     | 353AAV060120     | 56500    | 11.00 | 13.20 |
| 3043582      | 113ANA060-F  | CSPH*6012A**+TDR |                  | 57500    | 11.00 | 13.00 |
| 3069700      | 113ANA060-F  | FE4ANB006+UI     |                  | 57500    | 11.50 | 13.50 |
| 3043587      | 113ANA060-F  | FV4BNB006        |                  | 57000    | 11.20 | 13.50 |
| 3043586      | 113ANA060-F  | FX4CN(B,F)060    |                  | 58000    | 11.00 | 13.20 |
| 3043588      | 113ANA060-F  | FY4ANB060        |                  | 56500    | 11.00 | 13.00 |

\* Tested combination

**EER** — Energy Efficiency Ratio

**SEER** — Seasonal Energy Efficiency Ratio

**TDR** — Time-Delay Relay In most cases, only 1 method should be used to achieve TDR function. Using more than 1 method in a system may cause degradation in performance. Use either the accessory Time-Delay Relay KAATD0101TDR or a furnace equipped with TDR. Most Bryant furnaces are equipped with TDR.

**TXV** — Thermostatic Expansion Valve

**NOTES:**

1. Ratings are net values reflecting the effects of circulating fan motor heat. Supplemental electric heat is not included.
2. Tested outdoor/indoor combinations have been tested in accordance with DOE test procedures for central air conditioners. Ratings for other combinations are determined under DOE computer simulation procedures.
3. Determine actual CFM values obtainable for your system by referring to fan performance data in fan coil or furnace coil literature.
4. Do not apply with capillary tube coils as performance and reliability are affected.

# DETAILED COOLING CAPACITIES#

| EVAPORATOR AIR |               | CONDENSER ENTERING AIR TEMPERATURES ° F (° C) |                 |                |                 |                |                 |                |                 |                |                 |                |                 |
|----------------|---------------|---|-----------------|----------------|-----------------|----------------|-----------------|----------------|-----------------|----------------|-----------------|----------------|-----------------|
| CFM            | EWB ° F (° C) | 75 (23.9)                                     |                 | 85 (29.4)      |                 | 95 (35)        |                 | 105 (40.6)     |                 | 115 (46.1)     |                 | 125 (51.7)     |                 |
|                |               | Capacity MBtuh                                | Total Sys. KW** | Capacity MBtuh | Total Sys. KW** | Capacity MBtuh | Total Sys. KW** | Capacity MBtuh | Total Sys. KW** | Capacity MBtuh | Total Sys. KW** | Capacity MBtuh | Total Sys. KW** |
|                |               | Total   | Sens†           | Total          | Sens†           | Total          | Sens†           | Total          | Sens†           | Total          | Sens†           | Total          | Sens†           |
|                | 72 (22.2)     | 20.79   | 10.51           | 19.89          | 10.18           | 18.93          | 9.83            | 17.94          | 9.47            | 16.87          | 9.09            | 15.87          | 8.67            |
|                | 67 (19.4)     | 19.09   | 12.93           | 18.24          | 12.58           | 17.33          | 12.21           | 16.39          | 11.84           | 15.37          | 11.44           | 14.26          | 11.01           |
| 525            | 63 (17.2)††   | 17.84   | 12.55           | 17.02          | 12.19           | 16.15          | 11.82           | 15.24          | 11.43           | 14.26          | 11.02           | 13.22          | 10.58           |
|                | 62 (16.7)     | 17.53   | 15.32           | 16.74          | 14.95           | 15.91          | 14.57           | 15.04          | 14.16           | 14.17          | 14.17           | 13.33          | 13.33           |
|                | 57 (13.9)     | 17.00   | 17.00           | 16.36          | 16.36           | 15.67          | 15.67           | 14.95          | 14.95           | 14.18          | 14.18           | 13.33          | 13.33           |
|                | 72 (22.2)     | 21.12   | 11.01           | 20.19          | 10.67           | 19.19          | 10.32           | 18.18          | 9.96            | 17.07          | 9.57            | 15.84          | 9.15            |
|                | 67 (19.4)     | 19.42   | 13.74           | 18.54          | 13.39           | 17.60          | 13.02           | 16.63          | 12.65           | 15.59          | 12.24           | 14.44          | 11.80           |
| 600            | 63 (17.2)††   | 18.17   | 13.32           | 17.32          | 12.96           | 16.43          | 12.58           | 15.49          | 12.19           | 14.48          | 11.77           | 13.40          | 11.33           |
|                | 62 (16.7)     | 17.93   | 16.44           | 17.12          | 16.06           | 16.30          | 16.21           | 15.53          | 15.53           | 14.71          | 14.71           | 13.81          | 13.81           |
|                | 57 (13.9)     | 17.70   | 17.70           | 17.02          | 17.02           | 16.29          | 16.29           | 15.53          | 15.53           | 14.71          | 14.71           | 13.81          | 13.81           |
|                | 72 (22.2)     | 21.35   | 11.48           | 20.39          | 11.14           | 19.37          | 10.79           | 18.34          | 10.43           | 17.20          | 10.04           | 15.94          | 9.61            |
|                | 67 (19.4)     | 19.66   | 14.52           | 18.76          | 14.17           | 17.79          | 13.80           | 16.81          | 13.42           | 15.74          | 13.01           | 14.58          | 12.56           |
| 675            | 63 (17.2)††   | 18.41   | 14.06           | 17.55          | 13.70           | 16.63          | 13.31           | 15.67          | 12.92           | 14.64          | 12.49           | 13.54          | 12.03           |
|                | 62 (16.7)     | 18.28   | 18.11           | 17.55          | 17.55           | 16.79          | 16.79           | 15.99          | 15.99           | 15.13          | 15.13           | 14.18          | 14.18           |
|                | 57 (13.9)     | 18.26   | 18.26           | 17.55          | 17.55           | 16.79          | 16.79           | 15.99          | 15.99           | 15.13          | 15.13           | 14.18          | 14.18           |

113A VA018 Outdoor Section With CAP\*\*1814A\*\* Indoor Section

| COOLING INDOOR MODEL | CAPACITY | POWER | FURNACE MODEL    |
|----------------------|----------|-------|------------------|
| *CAP**1814A**        | 1.02     | 0.91  | 353AAV036060     |
| CAP**2414A**         | 1.01     | 0.90  | 355(A,C)AV042060 |
| CAP**2417A**         | 1.01     | 0.90  | 355(A,C)AV042060 |
| CNP**2417A**         | 1.01     | 0.90  | 355(A,C)AV042060 |
| CSPH**2412A**        | 1.02     | 0.91  | 355(A,C)AV042060 |
| CNPV**1814A**        | 1.01     | 0.90  | 355(A,C)AV042080 |
| CNPV**2414A**        | 1.02     | 0.91  | 355(A,C)AV042080 |
| CNPV**2417A**        | 1.01     | 0.90  | 355AAV042040     |
| CSPH**2412A**        | 1.01     | 0.90  | 355AAV042040     |
| FE4ANF002            | 0.99     | 0.88  | 313*AV024045     |
| FF1ENP018            | 0.98     | 0.91  | 313*AV024045     |
| FF1ENP024            | 0.99     | 0.99  | 313*AV024045     |
| FV4BNF002            | 0.98     | 0.88  | 313*AV024045     |
| FX4CNF018            | 1.02     | 0.93  | 313*AV024045     |
| FX4CNF024            | 1.02     | 0.91  | 313*AV024045     |
| FY4ANF018            | 1.01     | 1.01  | 313*AV024045     |
| FY4ANF024            | 1.02     | 1.02  | 313*AV024045     |
| CAP**1814A**         | 0.99     | 0.90  | 315(A,J)AV036070 |
| CAP**2414A**         | 1.01     | 0.90  | 315(A,J)AV036070 |
| CNP**2417A**         | 1.01     | 0.90  | 315(A,J)AV036070 |
| CNPV**1814A**        | 0.99     | 0.90  | 315(A,J)AV036070 |
| CNPV**2414A**        | 1.01     | 0.90  | 315(A,J)AV036070 |
| CSPH**2412A**        | 1.02     | 0.91  | 315(A,J)AV036070 |
| CAP**2417A**         | 1.01     | 0.90  | 315(A,J)AV048090 |
| CNPH**2417A**        | 1.01     | 0.90  | 315(A,J)AV048090 |
| CNPV**2417A**        | 1.01     | 0.90  | 315(A,J)AV048090 |
| CSPH**2412A**        | 1.02     | 0.91  | 315(A,J)AV048090 |
| CAP**2417A**         | 1.02     | 0.89  | 353AAV036040     |
| CNPH**2417A**        | 1.02     | 0.91  | 353AAV036040     |
| CNPV**2417A**        | 1.02     | 0.91  | 353AAV036040     |
| CSPH**2412A**        | 1.02     | 0.91  | 353AAV036040     |
| CAP**2417A**         | 1.02     | 0.89  | 353AAV036060     |
| CNPH**2417A**        | 1.02     | 0.91  | 353AAV036060     |
| CNPV**2417A**        | 1.02     | 0.91  | 353AAV036060     |

See notes on page 34

DETAILED COOLING CAPACITIES# CONTINUED

| EVAPORATOR AIR |               | CONDENSER ENTERING AIR TEMPERATURES ° F (° C) |       |                 |                |       |                 |                |       |                 |                |       |                 |                |       |                 |            |
|----------------|---------------|---|-------|-----------------|----------------|-------|-----------------|----------------|-------|-----------------|----------------|-------|-----------------|----------------|-------|-----------------|------------|
|                |               | 75 (23.9)                                     |       |                 | 85 (29.4)      |       |                 | 95 (35)        |       |                 | 105 (40.6)     |       |                 | 115 (46.1)     |       |                 | 125 (51.7) |
| CFM            | EWB ° F (° C) | Capacity MBtuh                                |       | Total Sys. KW** | Capacity MBtuh |       | Total Sys. KW** | Capacity MBtuh |       | Total Sys. KW** | Capacity MBtuh |       | Total Sys. KW** | Capacity MBtuh |       | Total Sys. KW** |            |
|                |               | Total   | Sens† |                 | Total          | Sens† |                 | Total          | Sens† |                 | Total          | Sens† |                 | Total          | Sens† |                 |            |
| 700            | 72 (22.2)     | 27.09   | 25.82 | 1.65            | 12.82          | 12.41 | 2.06            | 23.42          | 12.00 | 22.08           | 11.54          | 2.56  | 20.57           | 11.04          | 2.84  |                 |            |
|                | 67 (19.4)     | 24.89   | 23.83 | 1.65            | 15.99          | 15.56 | 2.05            | 21.55          | 15.13 | 20.30           | 14.66          | 2.56  | 18.89           | 14.14          | 2.84  |                 |            |
|                | 63 (17.2)††   | 23.39   | 22.38 | 1.64            | 15.55          | 15.11 | 2.05            | 20.18          | 14.66 | 18.98           | 14.17          | 2.56  | 17.85           | 13.84          | 2.85  |                 |            |
|                | 62 (16.7)     | 23.01   | 22.03 | 1.64            | 19.14          | 18.67 | 2.05            | 19.94          | 18.19 | 18.91           | 18.91          | 2.56  | 17.82           | 17.82          | 2.84  |                 |            |
|                | 57 (13.9)     | 22.46   | 21.66 | 1.64            | 21.66          | 20.79 | 2.05            | 19.89          | 19.89 | 18.91           | 18.91          | 2.56  | 17.82           | 17.82          | 2.84  |                 |            |
| 800            | 72 (22.2)     | 27.79   | 26.15 | 1.69            | 13.46          | 13.04 | 2.10            | 23.67          | 12.62 | 22.29           | 12.16          | 2.59  | 20.73           | 11.65          | 2.88  |                 |            |
|                | 67 (19.4)     | 25.25   | 24.16 | 1.68            | 17.03          | 16.60 | 2.09            | 21.82          | 16.16 | 20.53           | 15.69          | 2.59  | 19.09           | 15.16          | 2.88  |                 |            |
|                | 63 (17.2)††   | 23.76   | 22.72 | 1.68            | 16.53          | 16.08 | 2.09            | 20.46          | 15.63 | 19.22           | 15.14          | 2.59  | 17.86           | 14.60          | 2.88  |                 |            |
|                | 62 (16.7)     | 23.47   | 22.49 | 1.67            | 20.52          | 20.52 | 2.09            | 20.58          | 20.58 | 19.54           | 19.54          | 2.59  | 18.38           | 18.38          | 2.88  |                 |            |
|                | 57 (13.9)     | 23.30   | 22.44 | 1.68            | 22.44          | 21.53 | 2.09            | 20.58          | 20.58 | 19.54           | 19.54          | 2.59  | 18.38           | 18.38          | 2.88  |                 |            |
| 900            | 72 (22.2)     | 27.79   | 26.41 | 1.73            | 14.07          | 13.63 | 2.13            | 23.83          | 13.21 | 22.42           | 12.76          | 2.63  | 20.83           | 12.24          | 2.91  |                 |            |
|                | 67 (19.4)     | 25.51   | 24.38 | 1.72            | 18.03          | 17.59 | 2.13            | 22.00          | 17.15 | 20.68           | 16.66          | 2.63  | 19.22           | 16.12          | 2.91  |                 |            |
|                | 63 (17.2)††   | 24.03   | 22.96 | 1.72            | 17.47          | 17.01 | 2.12            | 20.66          | 16.55 | 19.39           | 16.05          | 2.63  | 18.01           | 15.49          | 2.92  |                 |            |
|                | 62 (16.7)     | 23.97   | 23.07 | 1.72            | 23.07          | 22.11 | 2.12            | 21.12          | 21.12 | 20.03           | 20.03          | 2.63  | 18.82           | 18.82          | 2.91  |                 |            |
|                | 57 (13.9)     | 23.96   | 23.07 | 1.72            | 23.07          | 22.11 | 2.12            | 21.12          | 21.12 | 20.04           | 20.04          | 2.63  | 18.82           | 18.82          | 2.91  |                 |            |

113A V024 Outdoor Section With CAP\*\*2414A\*\* Indoor Section

| COOLING INDOOR MODEL | FURNACE MODEL | CAPACITY | POWER | COOLING INDOOR |       | FURNACE MODEL    |       | CAPACITY | POWER | COOLING INDOOR |       | FURNACE MODEL |      |
|----------------------|---------------|----------|-------|----------------|-------|------------------|-------|----------|-------|----------------|-------|---------------|------|
|                      |               |          |       | MODEL          | MODEL | MODEL            | MODEL |          |       | MODEL          | MODEL |               |      |
| *CAP**2414A**        |               | 1.00     | 1.00  | 1.01           | 0.91  | 315(A-J)AV048090 |       | 1.01     | 0.91  | CAP**2417A**   |       | 1.03          | 0.93 |
| CAP**2417A**         |               | 1.00     | 1.00  | 0.99           | 0.91  | 315(A-J)AV048090 |       | 0.99     | 0.91  | CNPV*2417A**   |       | 1.01          | 0.92 |
| CAP**3014A**         |               | 1.01     | 1.01  | 1.01           | 0.91  | 315(A-J)AV048090 |       | 1.01     | 0.91  | CNPH*3017A**   |       | 1.03          | 0.93 |
| CAP**3017A**         |               | 1.01     | 1.01  | 1.01           | 0.92  | 315(A-J)AV048090 |       | 1.01     | 0.92  | CNPV*2412A**   |       | 1.01          | 0.93 |
| CNPF*2418A**         |               | 1.00     | 1.00  | 1.01           | 0.91  | 315(A-J)AV048090 |       | 1.01     | 0.91  | CSPH*3012A**   |       | 1.03          | 0.93 |
| CNPH*2417A**         |               | 1.00     | 1.00  | 0.99           | 0.93  | 315(A-J)AV060110 |       | 0.99     | 0.93  | CSPH*2412A**   |       | 1.02          | 0.92 |
| CNPH*3017A**         |               | 1.01     | 1.01  | 1.01           | 0.91  | 315(A-J)AV060110 |       | 1.01     | 0.91  | CSPH*3012A**   |       | 1.03          | 0.93 |
| CNPH*2414A**         |               | 1.00     | 1.00  | 1.01           | 0.92  | 315(A-J)AV060110 |       | 1.01     | 0.92  | CSPH*2412A**   |       | 1.02          | 0.93 |
| CNPH*3012A**         |               | 1.00     | 1.00  | 1.01           | 0.91  | 315(A-J)AV066135 |       | 1.01     | 0.91  | CNPV*3017A**   |       | 1.03          | 0.93 |
| FE4N(B,F)003         |               | 1.02     | 0.92  | 1.01           | 0.91  | 315(A-J)AV066155 |       | 1.01     | 0.91  | CNPV*2417A**   |       | 1.03          | 0.93 |
| FE4NF002             |               | 0.98     | 0.98  | 1.01           | 0.91  | 315(A-J)AV066155 |       | 1.01     | 0.91  | CNPV*2412A**   |       | 1.03          | 0.93 |
| FF1ENP024            |               | 0.98     | 0.98  | 1.01           | 0.92  | 315(A-J)AV066155 |       | 1.01     | 0.92  | CNPV*3012A**   |       | 1.03          | 0.93 |
| FF1ENP030            |               | 1.00     | 1.01  | 1.01           | 0.91  | 315(A-J)AV066155 |       | 1.01     | 0.91  | CNPV*3017A**   |       | 1.03          | 0.93 |
| FV4BN(F)003          |               | 1.02     | 0.92  | 1.02           | 0.92  | 353AAV036040     |       | 1.02     | 0.92  | CAP**2417A**   |       | 1.03          | 0.93 |
| FV4BNF002            |               | 0.98     | 0.90  | 1.03           | 0.93  | 353AAV036040     |       | 1.03     | 0.93  | CAP**3017A**   |       | 1.03          | 0.93 |
| FX4CNF024            |               | 1.01     | 0.95  | 1.01           | 0.92  | 353AAV036040     |       | 1.01     | 0.92  | CNPV*2417A**   |       | 1.03          | 0.93 |
| FX4CNF030            |               | 1.02     | 0.93  | 1.03           | 0.93  | 353AAV036040     |       | 1.03     | 0.93  | CNPV*3017A**   |       | 1.03          | 0.93 |
| FY4ANF024            |               | 1.00     | 1.00  | 1.01           | 0.92  | 353AAV036040     |       | 1.01     | 0.92  | CNPV*2412A**   |       | 1.03          | 0.93 |
| FY4ANF030            |               | 1.01     | 1.01  | 1.03           | 0.93  | 353AAV036040     |       | 1.03     | 0.93  | CNPV*3012A**   |       | 1.03          | 0.93 |
| CAP**2414A**         |               | 0.99     | 0.91  | 1.02           | 0.92  | 353AAV036040     |       | 1.02     | 0.92  | CNPV*2412A**   |       | 1.02          | 0.92 |
| CAP**3014A**         |               | 1.00     | 0.92  | 1.03           | 0.93  | 353AAV036040     |       | 1.03     | 0.93  | CNPV*2417A**   |       | 1.03          | 0.93 |
| CNPH*2417A**         |               | 0.99     | 0.93  | 1.02           | 0.92  | 353AAV036060     |       | 1.02     | 0.92  | CNPV*3017A**   |       | 1.03          | 0.93 |
| CNPH*3017A**         |               | 1.00     | 0.92  | 1.03           | 0.93  | 353AAV036060     |       | 1.03     | 0.93  | CNPV*2412A**   |       | 1.03          | 0.93 |
| CNPH*2414A**         |               | 0.99     | 0.93  | 1.01           | 0.92  | 353AAV036060     |       | 1.01     | 0.92  | CNPV*2417A**   |       | 1.03          | 0.93 |
| CNPH*3014A**         |               | 1.00     | 0.92  | 1.03           | 0.93  | 353AAV036060     |       | 1.03     | 0.93  | CNPV*3012A**   |       | 1.03          | 0.93 |
| CSPH*2412A**         |               | 1.00     | 0.92  | 1.01           | 0.92  | 353AAV036060     |       | 1.01     | 0.92  | CNPV*2412A**   |       | 1.03          | 0.93 |
| CSPH*3012A**         |               | 1.00     | 0.90  | 1.02           | 0.92  | 353AAV036060     |       | 1.02     | 0.92  | CNPV*2417A**   |       | 1.03          | 0.93 |
| CAP**2417A**         |               | 1.01     | 0.91  | 1.03           | 0.93  | 353AAV036060     |       | 1.03     | 0.93  | CNPV*3012A**   |       | 1.03          | 0.93 |
| CAP**3017A**         |               | 1.01     | 0.91  | 1.03           | 0.93  | 353AAV036060     |       | 1.03     | 0.93  | CNPV*2412A**   |       | 1.03          | 0.93 |
| CNPV*2414A**         |               | 1.00     | 0.92  | 1.01           | 0.92  | 353AAV036060     |       | 1.01     | 0.92  | CNPV*2417A**   |       | 1.03          | 0.93 |
| CNPV*3014A**         |               | 1.00     | 0.92  | 1.03           | 0.93  | 353AAV036060     |       | 1.03     | 0.93  | CNPV*3012A**   |       | 1.03          | 0.93 |
| CNPV*2412A**         |               | 1.00     | 0.92  | 1.01           | 0.92  | 353AAV036060     |       | 1.01     | 0.92  | CNPV*2417A**   |       | 1.03          | 0.93 |
| CNPV*3012A**         |               | 1.00     | 0.92  | 1.03           | 0.93  | 353AAV036060     |       | 1.03     | 0.93  | CNPV*3012A**   |       | 1.03          | 0.93 |
| CNPV*2417A**         |               | 1.00     | 0.90  | 1.02           | 0.92  | 353AAV036060     |       | 1.02     | 0.92  | CNPV*2412A**   |       | 1.03          | 0.93 |
| CNPV*3017A**         |               | 1.01     | 0.91  | 1.03           | 0.93  | 353AAV036060     |       | 1.03     | 0.93  | CNPV*2417A**   |       | 1.03          | 0.93 |
| CNPV*2412A**         |               | 1.00     | 0.92  | 1.01           | 0.92  | 353AAV036060     |       | 1.01     | 0.92  | CNPV*3012A**   |       | 1.03          | 0.93 |
| CNPV*2417A**         |               | 1.00     | 0.92  | 1.03           | 0.93  | 353AAV036060     |       | 1.03     | 0.93  | CNPV*2412A**   |       | 1.03          | 0.93 |
| CNPV*3012A**         |               | 1.00     | 0.90  | 1.02           | 0.92  | 353AAV036060     |       | 1.02     | 0.92  | CNPV*2417A**   |       | 1.03          | 0.93 |
| CNPV*3017A**         |               | 1.01     | 0.91  | 1.03           | 0.93  | 353AAV036060     |       | 1.03     | 0.93  | CNPV*3012A**   |       | 1.03          | 0.93 |
| CNPV*2412A**         |               | 1.00     | 0.92  | 1.01           | 0.92  | 353AAV036060     |       | 1.01     | 0.92  | CNPV*2412A**   |       | 1.03          | 0.93 |
| CNPV*2417A**         |               | 1.00     | 0.92  | 1.03           | 0.93  | 353AAV036060     |       | 1.03     | 0.93  | CNPV*2417A**   |       | 1.03          | 0.93 |
| CNPV*3012A**         |               | 1.00     | 0.90  | 1.02           | 0.92  | 353AAV036060     |       | 1.02     | 0.92  | CNPV*3012A**   |       | 1.03          | 0.93 |
| CNPV*3017A**         |               | 1.01     | 0.91  | 1.03           | 0.93  | 353AAV036060     |       | 1.03     | 0.93  | CNPV*2412A**   |       | 1.03          | 0.93 |
| CNPV*2412A**         |               | 1.00     | 0.92  | 1.01           | 0.92  | 353AAV036060     |       | 1.01     | 0.92  | CNPV*2417A**   |       | 1.03          | 0.93 |
| CNPV*2417A**         |               | 1.00     | 0.92  | 1.03           | 0.93  | 353AAV036060     |       | 1.03     | 0.93  | CNPV*3012A**   |       | 1.03          | 0.93 |
| CNPV*3012A**         |               | 1.00     | 0.90  | 1.02           | 0.92  | 353AAV036060     |       | 1.02     | 0.92  | CNPV*2412A**   |       | 1.03          | 0.93 |
| CNPV*3017A**         |               | 1.01     | 0.91  | 1.03           | 0.93  | 353AAV036060     |       | 1.03     | 0.93  | CNPV*2417A**   |       | 1.03          | 0.93 |
| CNPV*2412A**         |               | 1.00     | 0.92  | 1.01           | 0.92  | 353AAV036060     |       | 1.01     | 0.92  | CNPV*3012A**   |       | 1.03          | 0.93 |
| CNPV*2417A**         |               | 1.00     | 0.92  | 1.03           | 0.93  | 353AAV036060     |       | 1.03     | 0.93  | CNPV*2412A**   |       | 1.03          | 0.93 |
| CNPV*3012A**         |               | 1.00     | 0.90  | 1.02           | 0.92  | 353AAV036060     |       | 1.02     | 0.92  | CNPV*2417A**   |       | 1.03          | 0.93 |
| CNPV*3017A**         |               | 1.01     | 0.91  | 1.03           | 0.93  | 353AAV036060     |       | 1.03     | 0.93  | CNPV*3012A**   |       | 1.03          | 0.93 |
| CNPV*2412A**         |               | 1.00     | 0.92  | 1.01           | 0.92  | 353AAV036060     |       | 1.01     | 0.92  | CNPV*2412A**   |       | 1.03          | 0.93 |
| CNPV*2417A**         |               | 1.00     | 0.92  | 1.03           | 0.93  | 353AAV036060     |       | 1.03     | 0.93  | CNPV*2417A**   |       | 1.03          | 0.93 |
| CNPV*3012A**         |               | 1.00     | 0.90  | 1.02           | 0.92  | 353AAV036060     |       | 1.02     | 0.92  | CNPV*3012A**   |       | 1.03          | 0.93 |
| CNPV*3017A**         |               | 1.01     | 0.91  | 1.03           | 0.93  | 353AAV036060     |       | 1.03     | 0.93  | CNPV*2412A**   |       | 1.03          | 0.93 |
| CNPV*2412A**         |               | 1.00     | 0.92  | 1.01           | 0.92  | 353AAV036060     |       | 1.01     | 0.92  | CNPV*2417A**   |       | 1.03          | 0.93 |
| CNPV*2417A**         |               | 1.00     | 0.92  | 1.03           | 0.93  | 353AAV036060     |       | 1.03     | 0.93  | CNPV*3012A**   |       | 1.03          | 0.93 |
| CNPV*3012A**         |               | 1.00     | 0.90  | 1.02           | 0.92  | 353AAV036060     |       | 1.02     | 0.92  | CNPV*2412A**   |       | 1.03          | 0.93 |
| CNPV*3017A**         |               | 1.01     | 0.91  | 1.03           | 0.93  | 353AAV036060     |       | 1.03     | 0.93  | CNPV*2417A**   |       | 1.03          | 0.93 |
| CNPV*2412A**         |               | 1.00     | 0.92  | 1.01           | 0.92  | 353AAV036060     |       | 1.01     | 0.92  | CNPV*3012A**   |       | 1.03          | 0.93 |
| CNPV*2417A**         |               |          |       |                |       |                  |       |          |       |                |       |               |      |



# DETAILED COOLING CAPACITIES# CONTINUED

113A\*AO24 Outdoor Section With CAP\*\*2414A\*\* Indoor Section

| COOLING INDOOR MODEL | CAPACITY | POWER | FURNACE MODEL |
|----------------------|----------|-------|---------------|
| CSPH*2412A**         | 1.01     | 0.92  | 355AAV042040  |
| CSPH*3012A**         | 1.01     | 0.91  | 355AAV042040  |
| CAP**2414A**         | 1.00     | 0.94  | 313*AV024045  |
| CAP**3014A**         | 1.02     | 0.93  | 313*AV024045  |
| CNPH*2417A**         | 1.00     | 0.94  | 313*AV024045  |
| CNPH*3017A**         | 1.02     | 0.93  | 313*AV024045  |
| CNPV*2414A**         | 1.00     | 0.94  | 313*AV024045  |
| CNPV*3014A**         | 1.01     | 0.92  | 313*AV024045  |
| CSPH*2412A**         | 1.01     | 0.92  | 313*AV024045  |
| CSPH*3012A**         | 1.02     | 0.93  | 313*AV024045  |

See notes on page 34

DETAILED COOLING CAPACITIES# CONTINUED

| EVAPORATOR AIR |             | CONDENSER ENTERING AIR TEMPERATURES ° F (° C) |               |                |       |                 |                |       |                 |                |       |                 |                |            |                 |                |       |                 |                |       |                 |                |       |                 |  |
|----------------|-------------|---|---------------|----------------|-------|-----------------|----------------|-------|-----------------|----------------|-------|-----------------|----------------|------------|-----------------|----------------|-------|-----------------|----------------|-------|-----------------|----------------|-------|-----------------|--|
|                |             | 75 (23.9)                                     |               |                |       | 85 (29.4)       |                |       |                 | 95 (35)        |       |                 |                | 105 (40.6) |                 |                |       | 115 (46.1)      |                |       |                 | 125 (51.7)     |       |                 |  |
|                |             | CFM   | EWB ° F (° C) | Capacity MBtuh |       | Total Sys. KW** | Capacity MBtuh |       | Total Sys. KW** | Capacity MBtuh |       | Total Sys. KW** | Capacity MBtuh |            | Total Sys. KW** | Capacity MBtuh |       | Total Sys. KW** | Capacity MBtuh |       | Total Sys. KW** | Capacity MBtuh |       | Total Sys. KW** |  |
| Total          | Sens†       |   |               | Total          | Sens† |                 | Total          | Sens† |                 | Total          | Sens† |                 | Total          | Sens†      |                 | Total          | Sens† |                 | Total          | Sens† |                 | Total          | Sens† |                 |  |
| 875            | 72 (22.2)   | 32.18   | 16.57         | 2.04           | 30.84 | 16.09           | 2.25           | 29.42 | 15.59           | 2.49           | 27.93 | 15.07           | 2.76           | 26.28      | 14.50           | 3.05           | 24.43 | 13.86           | 3.36           |       |                 |                |       |                 |  |
|                | 67 (19.4)   | 29.70   | 20.70         | 2.03           | 28.44 | 20.20           | 2.25           | 27.08 | 19.68           | 2.49           | 25.67 | 19.13           | 2.75           | 24.11      | 18.54           | 3.04           | 22.39 | 17.88           | 3.35           |       |                 |                |       |                 |  |
|                | 63 (17.2)†† | 27.91   | 20.13         | 2.03           | 26.69 | 19.62           | 2.25           | 25.39 | 19.07           | 2.49           | 24.02 | 18.50           | 2.75           | 22.52      | 17.88           | 3.04           | 20.88 | 17.21           | 3.35           |       |                 |                |       |                 |  |
|                | 62 (16.7)   | 27.50   | 24.80         | 2.03           | 26.34 | 24.26           | 2.25           | 25.11 | 23.67           | 2.49           | 23.94 | 23.94           | 2.75           | 22.71      | 22.71           | 3.04           | 21.35 | 21.35           | 3.35           |       |                 |                |       |                 |  |
|                | 57 (13.9)   | 27.10   | 27.10         | 2.03           | 26.12 | 26.12           | 2.25           | 25.05 | 25.05           | 2.49           | 23.94 | 23.94           | 2.75           | 22.71      | 22.71           | 3.04           | 21.35 | 21.35           | 3.35           |       |                 |                |       |                 |  |
| 1000           | 72 (22.2)   | 32.58   | 17.38         | 2.08           | 31.18 | 16.89           | 2.30           | 29.72 | 16.38           | 2.54           | 28.19 | 15.86           | 2.81           | 26.50      | 15.29           | 3.09           | 24.59 | 14.65           | 3.40           |       |                 |                |       |                 |  |
|                | 67 (19.4)   | 30.08   | 22.03         | 2.08           | 28.79 | 21.53           | 2.30           | 27.40 | 21.00           | 2.54           | 25.96 | 20.45           | 2.80           | 24.36      | 19.85           | 3.09           | 22.80 | 19.17           | 3.40           |       |                 |                |       |                 |  |
|                | 63 (17.2)†† | 28.31   | 21.38         | 2.08           | 27.06 | 20.87           | 2.30           | 25.72 | 20.31           | 2.53           | 24.32 | 19.74           | 2.80           | 22.78      | 19.11           | 3.09           | 21.11 | 18.42           | 3.40           |       |                 |                |       |                 |  |
|                | 62 (16.7)   | 28.07   | 27.82         | 2.08           | 27.00 | 27.00           | 2.29           | 25.89 | 25.89           | 2.53           | 24.72 | 24.72           | 2.80           | 23.42      | 23.42           | 3.09           | 21.98 | 21.98           | 3.40           |       |                 |                |       |                 |  |
|                | 57 (13.9)   | 28.04   | 28.04         | 2.08           | 27.01 | 27.01           | 2.29           | 25.89 | 25.89           | 2.53           | 24.72 | 24.72           | 2.80           | 23.42      | 23.42           | 3.09           | 21.98 | 21.98           | 3.40           |       |                 |                |       |                 |  |
| 1125           | 72 (22.2)   | 32.83   | 18.14         | 2.13           | 31.40 | 17.65           | 2.35           | 29.91 | 17.14           | 2.59           | 28.35 | 16.62           | 2.85           | 26.63      | 16.04           | 3.14           | 24.68 | 15.40           | 3.45           |       |                 |                |       |                 |  |
|                | 67 (19.4)   | 30.36   | 23.30         | 2.13           | 29.03 | 22.80           | 2.34           | 27.62 | 22.26           | 2.58           | 26.15 | 21.70           | 2.85           | 24.54      | 21.08           | 3.14           | 22.76 | 20.38           | 3.45           |       |                 |                |       |                 |  |
|                | 63 (17.2)†† | 28.59   | 22.57         | 2.12           | 27.32 | 22.05           | 2.34           | 25.95 | 21.49           | 2.58           | 24.53 | 20.90           | 2.85           | 22.98      | 20.26           | 3.13           | 21.29 | 19.53           | 3.44           |       |                 |                |       |                 |  |
|                | 62 (16.7)   | 28.79   | 28.79         | 2.12           | 27.71 | 27.71           | 2.34           | 26.54 | 26.54           | 2.58           | 25.33 | 25.33           | 2.85           | 23.98      | 23.98           | 3.13           | 22.47 | 22.47           | 3.44           |       |                 |                |       |                 |  |
|                | 57 (13.9)   | 28.79   | 28.79         | 2.12           | 27.71 | 27.71           | 2.34           | 26.55 | 26.55           | 2.58           | 25.33 | 25.33           | 2.85           | 23.98      | 23.98           | 3.13           | 22.47 | 22.47           | 3.44           |       |                 |                |       |                 |  |

113A\* A030 Outdoor Section With CAP\*\*3014A\*\* Indoor Section

| COOLING INDOOR MODEL | FURNACE MODEL | CAPACITY |       | POWER | COOLING INDOOR MODEL | FURNACE MODEL    |       | POWER | CAPACITY | COOLING INDOOR MODEL | FURNACE MODEL    |       | POWER | CAPACITY | COOLING INDOOR MODEL | FURNACE MODEL    |       | POWER | CAPACITY | COOLING INDOOR MODEL | FURNACE MODEL    |       | POWER | CAPACITY |
|----------------------|---------------|----------|-------|-------|----------------------|------------------|-------|-------|----------|----------------------|------------------|-------|-------|----------|----------------------|------------------|-------|-------|----------|----------------------|------------------|-------|-------|----------|
|                      |               | Total    | Sens† |       |                      | Total            | Sens† |       |          |                      | Total            | Sens† |       |          |                      | Total            | Sens† |       |          |                      | Total            | Sens† |       |          |
| *CAP**3014A**        |               | 1.00     | 1.00  | 1.00  | CNPH*3617A**         | 315(A-JAV)048090 | 0.92  | 1.00  | 1.00     | CNPH*3617A**         | 315(A-JAV)048090 | 0.92  | 1.00  | 1.00     | CNPH*3617A**         | 315(A-JAV)048090 | 0.92  | 1.00  | 1.00     | CNPH*3617A**         | 315(A-JAV)048090 | 0.92  | 1.00  | 1.00     |
| CAP**3017A**         |               | 1.00     | 1.00  | 1.00  | CNPH*3017A**         | 315(A-JAV)048090 | 0.92  | 1.00  | 1.00     | CNPH*3017A**         | 315(A-JAV)048090 | 0.92  | 1.00  | 1.00     | CNPH*3017A**         | 315(A-JAV)048090 | 0.92  | 1.00  | 1.00     | CNPH*3017A**         | 315(A-JAV)048090 | 0.92  | 1.00  | 1.00     |
| CAP**3614A**         |               | 1.00     | 1.00  | 1.00  | CNPH*3617A**         | 315(A-JAV)048090 | 0.92  | 1.00  | 1.00     | CNPH*3617A**         | 315(A-JAV)048090 | 0.92  | 1.00  | 1.00     | CNPH*3617A**         | 315(A-JAV)048090 | 0.92  | 1.00  | 1.00     | CNPH*3617A**         | 315(A-JAV)048090 | 0.92  | 1.00  | 1.00     |
| CAP**3617A**         |               | 1.00     | 1.00  | 1.00  | CSPH*3012A**         | 315(A-JAV)048090 | 0.91  | 1.00  | 1.00     | CSPH*3012A**         | 315(A-JAV)048090 | 0.91  | 1.00  | 1.00     | CSPH*3012A**         | 315(A-JAV)048090 | 0.91  | 1.00  | 1.00     | CSPH*3012A**         | 315(A-JAV)048090 | 0.91  | 1.00  | 1.00     |
| CAP**3621A**         |               | 1.00     | 1.00  | 1.00  | CSPH*3612A**         | 315(A-JAV)048090 | 0.91  | 1.00  | 1.00     | CSPH*3612A**         | 315(A-JAV)048090 | 0.91  | 1.00  | 1.00     | CSPH*3612A**         | 315(A-JAV)048090 | 0.91  | 1.00  | 1.00     | CSPH*3612A**         | 315(A-JAV)048090 | 0.91  | 1.00  | 1.00     |
| CNPF*3618A**         |               | 1.00     | 1.00  | 1.00  | CAP**3621A**         | 315(A-JAV)060110 | 0.91  | 1.00  | 1.00     | CAP**3621A**         | 315(A-JAV)060110 | 0.91  | 1.00  | 1.00     | CAP**3621A**         | 315(A-JAV)060110 | 0.91  | 1.00  | 1.00     | CAP**3621A**         | 315(A-JAV)060110 | 0.91  | 1.00  | 1.00     |
| CNPH*3017A**         |               | 1.00     | 1.00  | 1.00  | CNPH*3017A**         | 315(A-JAV)060110 | 0.92  | 1.00  | 1.00     | CNPH*3017A**         | 315(A-JAV)060110 | 0.92  | 1.00  | 1.00     | CNPH*3017A**         | 315(A-JAV)060110 | 0.92  | 1.00  | 1.00     | CNPH*3017A**         | 315(A-JAV)060110 | 0.92  | 1.00  | 1.00     |
| CNPH*3617A**         |               | 1.00     | 1.00  | 1.00  | CNPH*3617A**         | 315(A-JAV)060110 | 0.92  | 1.00  | 1.00     | CNPH*3617A**         | 315(A-JAV)060110 | 0.92  | 1.00  | 1.00     | CNPH*3617A**         | 315(A-JAV)060110 | 0.92  | 1.00  | 1.00     | CNPH*3617A**         | 315(A-JAV)060110 | 0.92  | 1.00  | 1.00     |
| CNPH*3014A**         |               | 1.00     | 1.00  | 1.00  | CNPH*3621A**         | 315(A-JAV)060110 | 0.92  | 1.00  | 1.00     | CNPH*3621A**         | 315(A-JAV)060110 | 0.92  | 1.00  | 1.00     | CNPH*3621A**         | 315(A-JAV)060110 | 0.92  | 1.00  | 1.00     | CNPH*3621A**         | 315(A-JAV)060110 | 0.92  | 1.00  | 1.00     |
| CNPH*3017A**         |               | 1.00     | 1.00  | 1.00  | CSPH*3012A**         | 315(A-JAV)060110 | 0.92  | 1.00  | 1.00     | CSPH*3012A**         | 315(A-JAV)060110 | 0.92  | 1.00  | 1.00     | CSPH*3012A**         | 315(A-JAV)060110 | 0.92  | 1.00  | 1.00     | CSPH*3012A**         | 315(A-JAV)060110 | 0.92  | 1.00  | 1.00     |
| CNPH*3014A**         |               | 1.00     | 1.00  | 1.00  | CSPH*3612A**         | 315(A-JAV)060110 | 0.92  | 1.00  | 1.00     | CSPH*3612A**         | 315(A-JAV)060110 | 0.92  | 1.00  | 1.00     | CSPH*3612A**         | 315(A-JAV)060110 | 0.92  | 1.00  | 1.00     | CSPH*3612A**         | 315(A-JAV)060110 | 0.92  | 1.00  | 1.00     |
| CNPH*3017A**         |               | 1.00     | 1.00  | 1.00  | CNPH*3012A**         | 315(A-JAV)060110 | 0.93  | 1.00  | 1.00     | CNPH*3012A**         | 315(A-JAV)060110 | 0.93  | 1.00  | 1.00     | CNPH*3012A**         | 315(A-JAV)060110 | 0.93  | 1.00  | 1.00     | CNPH*3012A**         | 315(A-JAV)060110 | 0.93  | 1.00  | 1.00     |
| CNPH*3014A**         |               | 1.00     | 1.00  | 1.00  | CNPH*3617A**         | 315(A-JAV)060110 | 0.92  | 1.00  | 1.00     | CNPH*3617A**         | 315(A-JAV)060110 | 0.92  | 1.00  | 1.00     | CNPH*3617A**         | 315(A-JAV)060110 | 0.92  | 1.00  | 1.00     | CNPH*3617A**         | 315(A-JAV)060110 | 0.92  | 1.00  | 1.00     |
| CNPH*3017A**         |               | 1.00     | 1.00  | 1.00  | CSPH*3612A**         | 315(A-JAV)060110 | 0.92  | 1.00  | 1.00     | CSPH*3612A**         | 315(A-JAV)060110 | 0.92  | 1.00  | 1.00     | CSPH*3612A**         | 315(A-JAV)060110 | 0.92  | 1.00  | 1.00     | CSPH*3612A**         | 315(A-JAV)060110 | 0.92  | 1.00  | 1.00     |
| CNPH*3014A**         |               | 1.00     | 1.00  | 1.00  | CNPH*3017A**         | 315(A-JAV)060110 | 0.93  | 1.00  | 1.00     | CNPH*3017A**         | 315(A-JAV)060110 | 0.93  | 1.00  | 1.00     | CNPH*3017A**         | 315(A-JAV)060110 | 0.93  | 1.00  | 1.00     | CNPH*3017A**         | 315(A-JAV)060110 | 0.93  | 1.00  | 1.00     |
| CNPH*3017A**         |               | 1.00     | 1.00  | 1.00  | CNPH*3617A**         | 315(A-JAV)060110 | 0.92  | 1.00  | 1.00     | CNPH*3617A**         | 315(A-JAV)060110 | 0.92  | 1.00  | 1.00     | CNPH*3617A**         | 315(A-JAV)060110 | 0.92  | 1.00  | 1.00     | CNPH*3617A**         | 315(A-JAV)060110 | 0.92  | 1.00  | 1.00     |
| CNPH*3014A**         |               | 1.00     | 1.00  | 1.00  | CSPH*3012A**         | 315(A-JAV)060110 | 0.93  | 1.00  | 1.00     | CSPH*3012A**         | 315(A-JAV)060110 | 0.93  | 1.00  | 1.00     | CSPH*3012A**         | 315(A-JAV)060110 | 0.93  | 1.00  | 1.00     | CSPH*3012A**         | 315(A-JAV)060110 | 0.93  | 1.00  | 1.00     |
| CNPH*3017A**         |               | 1.00     | 1.00  | 1.00  | CSPH*3612A**         | 315(A-JAV)060110 | 0.92  | 1.00  | 1.00     | CSPH*3612A**         | 315(A-JAV)060110 | 0.92  | 1.00  | 1.00     | CSPH*3612A**         | 315(A-JAV)060110 | 0.92  | 1.00  | 1.00     | CSPH*3612A**         | 315(A-JAV)060110 | 0.92  | 1.00  | 1.00     |
| CNPH*3014A**         |               | 1.00     | 1.00  | 1.00  | CNPH*3017A**         | 315(A-JAV)060110 | 0.93  | 1.00  | 1.00     | CNPH*3017A**         | 315(A-JAV)060110 | 0.93  | 1.00  | 1.00     | CNPH*3017A**         | 315(A-JAV)060110 | 0.93  | 1.00  | 1.00     | CNPH*3017A**         | 315(A-JAV)060110 | 0.93  | 1.00  | 1.00     |
| CNPH*3017A**         |               | 1.00     | 1.00  | 1.00  | CNPH*3617A**         | 315(A-JAV)060110 | 0.92  | 1.00  | 1.00     | CNPH*3617A**         | 315(A-JAV)060110 | 0.92  | 1.00  | 1.00     | CNPH*3617A**         | 315(A-JAV)060110 | 0.92  | 1.00  | 1.00     | CNPH*3617A**         | 315(A-JAV)060110 | 0.92  | 1.00  | 1.00     |
| CNPH*3014A**         |               | 1.00     | 1.00  | 1.00  | CSPH*3012A**         | 315(A-JAV)060110 | 0.93  | 1.00  | 1.00     | CSPH*3012A**         | 315(A-JAV)060110 | 0.93  | 1.00  | 1.00     | CSPH*3012A**         | 315(A-JAV)060110 | 0.93  | 1.00  | 1.00     | CSPH*3012A**         | 315(A-JAV)060110 | 0.93  | 1.00  | 1.00     |
| CNPH*3017A**         |               | 1.00     | 1.00  | 1.00  | CSPH*3612A**         | 315(A-JAV)060110 | 0.92  | 1.00  | 1.00     | CSPH*3612A**         | 315(A-JAV)060110 | 0.92  | 1.00  | 1.00     | CSPH*3612A**         | 315(A-JAV)060110 | 0.92  | 1.00  | 1.00     | CSPH*3612A**         | 315(A-JAV)060110 | 0.92  | 1.00  | 1.00     |
| CNPH*3014A**         |               | 1.00     | 1.00  | 1.00  | CNPH*3017A**         | 315(A-JAV)060110 | 0.93  | 1.00  | 1.00     | CNPH*3017A**         | 315(A-JAV)060110 | 0.93  | 1.00  | 1.00     | CNPH*3017A**         | 315(A-JAV)060110 | 0.93  | 1.00  | 1.00     | CNPH*3017A**         | 315(A-JAV)060110 | 0.93  | 1.00  | 1.00     |
| CNPH*3017A**         |               | 1.00     | 1.00  | 1.00  | CNPH*3617A**         | 315(A-JAV)060110 | 0.92  | 1.00  | 1.00     | CNPH*3617A**         | 315(A-JAV)060110 | 0.92  | 1.00  | 1.00     | CNPH*3617A**         | 315(A-JAV)060110 | 0.92  | 1.00  | 1.00     | CNPH*3617A**         | 315(A-JAV)060110 | 0.92  | 1.00  | 1.00     |
| CNPH*3014A**         |               | 1.00     | 1.00  | 1.00  | CSPH*3012A**         | 315(A-JAV)060110 | 0.93  | 1.00  | 1.00     | CSPH*3012A**         | 315(A-JAV)060110 | 0.93  | 1.00  | 1.00     | CSPH*3012A**         | 315(A-JAV)060110 | 0.93  | 1.00  | 1.00     |                      |                  |       |       |          |

# DETAILED COOLING CAPACITIES# CONTINUED

113A\* A090 Outdoor Section With CAP\*\*3014A\*\* Indoor Section

| COOLING INDOOR MODEL | CAPACITY | POWER | FURNACE MODEL    |
|----------------------|----------|-------|------------------|
| CNPV*3617A**         | 1.00     | 0.92  | 355(A,C)AV060080 |
| CNPV*3621A**         | 1.00     | 0.92  | 355(A,C)AV060080 |
| CSPH*3012A**         | 1.00     | 0.92  | 355(A,C)AV060080 |
| CSPH*3612A**         | 1.01     | 0.91  | 355(A,C)AV060080 |
| CAP**3621A**         | 0.99     | 0.92  | 355(A,C)AV060100 |
| CNPV*3017A**         | 0.99     | 0.92  | 355(A,C)AV060100 |
| CNPV*3617A**         | 0.99     | 0.92  | 355(A,C)AV060100 |
| CNPV*3621A**         | 0.99     | 0.92  | 355(A,C)AV060100 |
| CSPH*3012A**         | 0.99     | 0.92  | 355(A,C)AV060100 |
| CSPH*3612A**         | 1.01     | 0.91  | 355(A,C)AV060100 |
| CNPV*3017A**         | 1.00     | 0.90  | 355(A,C)AV060120 |
| CNPV*3617A**         | 1.00     | 0.90  | 355(A,C)AV060120 |
| CSPH*3012A**         | 1.01     | 0.93  | 355(A,C)AV060120 |
| CSPH*3612A**         | 1.02     | 0.92  | 355(A,C)AV060120 |
| CNPV*3017A**         | 1.00     | 0.92  | 355AAV042040     |
| CNPV*3617A**         | 1.00     | 0.92  | 355AAV042040     |
| CSPH*3012A**         | 1.00     | 0.92  | 355AAV042040     |
| CSPH*3612A**         | 1.01     | 0.91  | 355AAV042040     |
| CAP**3017A**         | 1.00     | 0.92  | 313*AV048070     |
| CAP**3617A**         | 1.01     | 0.93  | 313*AV048070     |
| CNPV*3017A**         | 1.00     | 0.94  | 313*AV048070     |
| CNPV*3617A**         | 1.00     | 0.94  | 313*AV048070     |
| CNPV*3017A**         | 1.00     | 0.94  | 313*AV048070     |
| CNPV*3617A**         | 1.00     | 0.94  | 313*AV048070     |
| CSPH*3012A**         | 1.01     | 0.95  | 313*AV048070     |
| CSPH*3612A**         | 1.01     | 0.94  | 313*AV048070     |
| CAP**3621A**         | 1.01     | 0.91  | 313*AV048090     |
| CNPV*3017A**         | 1.01     | 0.93  | 313*AV048090     |
| CNPV*3617A**         | 1.01     | 0.93  | 313*AV048090     |
| CNPV*3621A**         | 1.01     | 0.93  | 313*AV048090     |
| CSPH*3012A**         | 1.01     | 0.93  | 313*AV048090     |
| CSPH*3612A**         | 1.01     | 0.91  | 313*AV048090     |

See notes on page 34

DETAILED COOLING CAPACITIES# CONTINUED

| EVAPORATOR AIR |               | CONDENSER ENTERING AIR TEMPERATURES ° F (° C) |           |                 |                |       |                 |                |       |                 |                |       |                 |                |       |                 |                |       |                 |
|----------------|---------------|---|-----------|-----------------|----------------|-------|-----------------|----------------|-------|-----------------|----------------|-------|-----------------|----------------|-------|-----------------|----------------|-------|-----------------|
|                |               | 75 (23.9)                                     |           |                 | 85 (29.4)      |       |                 | 95 (35)        |       |                 | 105 (40.6)     |       |                 | 115 (46.1)     |       |                 | 125 (51.7)     |       |                 |
|                |               | Capacity MBtuh                                |           | Total Sys. KW** | Capacity MBtuh |       | Total Sys. KW** | Capacity MBtuh |       | Total Sys. KW** | Capacity MBtuh |       | Total Sys. KW** | Capacity MBtuh |       | Total Sys. KW** | Capacity MBtuh |       | Total Sys. KW** |
| CFM            | EWB ° F (° C) | Total   | Sens†     | Total           | Sens†          | Total | Sens†           | Total          | Sens† | Total           | Sens†          | Total | Sens†           | Total          | Sens† | Total           | Sens†          | Total |                 |
|                |               | 1050  | 72 (22.2) | 40.22           | 21.00          | 2.54  | 20.34           | 2.79           | 19.65 | 3.07            | 34.69          | 18.93 | 3.39            | 32.56          | 18.15 | 3.76            | 30.22          | 17.30 | 4.20            |
| 67 (19.4)      | 36.61         |   | 25.73     | 2.51            | 25.05          | 2.76  | 24.35           | 3.04           | 31.46 | 23.60           | 3.36           | 29.49 | 22.81           | 3.74           | 27.34 | 21.95           | 4.18           |       |                 |
| 63 (17.2)††    | 34.02         |   | 24.88     | 2.49            | 24.20          | 2.74  | 23.49           | 3.02           | 30.89 | 22.73           | 3.35           | 27.32 | 21.94           | 3.73           | 25.29 | 21.07           | 4.18           |       |                 |
| 62 (16.7)      | 33.42         |   | 30.44     | 2.49            | 29.75          | 2.74  | 30.45           | 3.02           | 28.86 | 28.20           | 3.35           | 27.29 | 27.29           | 3.73           | 25.64 | 25.64           | 4.18           |       |                 |
| 57 (13.9)      | 32.55         |   | 32.55     | 2.48            | 31.38          | 2.73  | 30.12           | 3.02           | 28.77 | 28.77           | 3.35           | 27.29 | 27.29           | 3.73           | 25.85 | 25.85           | 4.18           |       |                 |
| 1200           | 72 (22.2)     | 40.90   | 21.97     | 2.60            | 21.31          | 2.85  | 20.61           | 3.13           | 35.17 | 19.88           | 3.45           | 32.96 | 19.09           | 3.82           | 30.54 | 18.23           | 4.25           |       |                 |
|                | 67 (19.4)     | 37.25   | 27.30     | 2.57            | 26.61          | 2.82  | 25.90           | 3.10           | 31.91 | 25.15           | 3.42           | 29.88 | 24.35           | 3.80           | 27.67 | 23.48           | 4.24           |       |                 |
|                | 63 (17.2)††   | 34.63   | 26.36     | 2.55            | 33.04          | 2.80  | 31.38           | 3.08           | 29.60 | 24.18           | 3.41           | 27.69 | 23.27           | 3.79           | 25.61 | 22.48           | 4.24           |       |                 |
|                | 62 (16.7)     | 34.19   | 32.60     | 2.55            | 32.73          | 2.80  | 31.24           | 3.08           | 29.83 | 29.83           | 3.41           | 28.26 | 28.26           | 3.79           | 26.52 | 26.52           | 4.24           |       |                 |
|                | 57 (13.9)     | 33.87   | 33.87     | 2.55            | 32.61          | 2.80  | 31.27           | 3.08           | 29.83 | 29.83           | 3.41           | 28.26 | 28.26           | 3.79           | 26.52 | 26.52           | 4.24           |       |                 |
| 1350           | 72 (22.2)     | 41.40   | 22.89     | 2.66            | 22.22          | 2.91  | 21.52           | 3.19           | 35.50 | 20.77           | 3.51           | 33.24 | 19.97           | 3.88           | 30.75 | 19.10           | 4.31           |       |                 |
|                | 67 (19.4)     | 37.72   | 28.79     | 2.63            | 36.00          | 2.88  | 34.19           | 3.16           | 32.26 | 26.63           | 3.48           | 30.19 | 25.81           | 3.86           | 27.93 | 24.92           | 4.30           |       |                 |
|                | 63 (17.2)††   | 35.09   | 27.77     | 2.61            | 33.47          | 2.70  | 31.76           | 26.34          | 3.14  | 29.94           | 25.57          | 3.47  | 27.99           | 24.73          | 3.85  | 25.88           | 23.82          | 4.29  |                 |
|                | 62 (16.7)     | 34.90   | 34.90     | 2.61            | 33.63          | 2.86  | 32.22           | 3.15           | 30.70 | 30.70           | 3.47           | 29.05 | 29.05           | 3.85           | 27.22 | 27.22           | 4.30           |       |                 |
|                | 57 (13.9)     | 34.96   | 34.96     | 2.61            | 33.64          | 2.86  | 32.23           | 3.15           | 30.70 | 30.70           | 3.47           | 29.05 | 29.05           | 3.85           | 27.22 | 27.22           | 4.29           |       |                 |

113A036 Outdoor Section With CAP\*3617A Indoor Section

| Cooling Indoor Model | Furnace Model | Power | Capacity | Cooling Indoor Model | Furnace Model    | Power | Capacity | Cooling Indoor Model | Furnace Model    | Power | Capacity | Cooling Indoor Model | Furnace Model    | Power | Capacity | Cooling Indoor Model | Furnace Model    | Power | Capacity |
|----------------------|---------------|-------|----------|----------------------|------------------|-------|----------|----------------------|------------------|-------|----------|----------------------|------------------|-------|----------|----------------------|------------------|-------|----------|
|                      |               |       |          |                      |                  |       |          |                      |                  |       |          |                      |                  |       |          |                      |                  |       |          |
| *CAP**3617A**        |               | 1.00  | 1.00     | CNPH*3617A**         | 315(A-JAV)048090 | 0.93  | 0.98     | CNPH*3617A**         | 315(A-JAV)048090 | 0.93  | 0.98     | CNPH*3617A**         | 315(A-JAV)048090 | 0.93  | 0.98     | CNPH*3617A**         | 315(A-JAV)048090 | 0.93  | 0.98     |
| CAP**3614A**         |               | 0.97  | 0.97     | CNPH*4221A**         | 315(A-JAV)048090 | 0.93  | 0.99     | CNPH*4221A**         | 315(A-JAV)048090 | 0.93  | 0.99     | CNPH*4221A**         | 315(A-JAV)048090 | 0.93  | 0.99     | CNPH*4221A**         | 315(A-JAV)048090 | 0.93  | 0.99     |
| CAP**3621A**         |               | 1.00  | 1.00     | CNPH*3617A**         | 315(A-JAV)048090 | 0.93  | 0.98     | CNPH*3617A**         | 315(A-JAV)048090 | 0.93  | 0.98     | CNPH*3617A**         | 315(A-JAV)048090 | 0.93  | 0.98     | CNPH*3617A**         | 315(A-JAV)048090 | 0.93  | 0.98     |
| CAP**4221A**         |               | 1.00  | 1.00     | CNPH*4217A**         | 315(A-JAV)048090 | 0.93  | 1.00     | CNPH*4217A**         | 315(A-JAV)048090 | 0.93  | 1.00     | CNPH*4217A**         | 315(A-JAV)048090 | 0.93  | 1.00     | CNPH*4217A**         | 315(A-JAV)048090 | 0.93  | 1.00     |
| CNPF**3618A**        |               | 1.00  | 1.00     | CSPH*3612A**         | 315(A-JAV)048090 | 0.90  | 0.99     | CSPH*3612A**         | 315(A-JAV)048090 | 0.90  | 0.99     | CSPH*3612A**         | 315(A-JAV)048090 | 0.90  | 0.99     | CSPH*3612A**         | 315(A-JAV)048090 | 0.90  | 0.99     |
| CNPH*3617A**         |               | 1.00  | 1.00     | CAP**3621A**         | 315(A-JAV)060110 | 0.92  | 0.99     | CAP**3621A**         | 315(A-JAV)060110 | 0.92  | 0.99     | CAP**3621A**         | 315(A-JAV)060110 | 0.92  | 0.99     | CAP**3621A**         | 315(A-JAV)060110 | 0.92  | 0.99     |
| CNPH*4221A**         |               | 1.01  | 1.01     | CAP**4224A**         | 315(A-JAV)060110 | 0.90  | 0.99     | CAP**4224A**         | 315(A-JAV)060110 | 0.90  | 0.99     | CAP**4224A**         | 315(A-JAV)060110 | 0.90  | 0.99     | CAP**4224A**         | 315(A-JAV)060110 | 0.90  | 0.99     |
| CNPH*3617A**         |               | 1.00  | 1.00     | CNPH*3617A**         | 315(A-JAV)060110 | 0.94  | 0.99     | CNPH*3617A**         | 315(A-JAV)060110 | 0.94  | 0.99     | CNPH*3617A**         | 315(A-JAV)060110 | 0.94  | 0.99     | CNPH*3617A**         | 315(A-JAV)060110 | 0.94  | 0.99     |
| CNPH*3621A**         |               | 1.00  | 1.00     | CNPH*4221A**         | 315(A-JAV)060110 | 0.93  | 1.00     | CNPH*4221A**         | 315(A-JAV)060110 | 0.93  | 1.00     | CNPH*4221A**         | 315(A-JAV)060110 | 0.93  | 1.00     | CNPH*4221A**         | 315(A-JAV)060110 | 0.93  | 1.00     |
| CNPH*4221A**         |               | 1.01  | 1.01     | CNPH*3621A**         | 315(A-JAV)060110 | 0.93  | 1.00     | CNPH*3621A**         | 315(A-JAV)060110 | 0.93  | 1.00     | CNPH*3621A**         | 315(A-JAV)060110 | 0.93  | 1.00     | CNPH*3621A**         | 315(A-JAV)060110 | 0.93  | 1.00     |
| CSPH*3612A**         |               | 1.00  | 1.00     | CNPH*4212A**         | 315(A-JAV)060110 | 0.90  | 0.99     | CNPH*4212A**         | 315(A-JAV)060110 | 0.90  | 0.99     | CNPH*4212A**         | 315(A-JAV)060110 | 0.90  | 0.99     | CNPH*4212A**         | 315(A-JAV)060110 | 0.90  | 0.99     |
| FE4AN(B,F)003        |               | 0.90  | 0.90     | CSPH*3612A**         | 315(A-JAV)060110 | 0.90  | 0.99     | CSPH*3612A**         | 315(A-JAV)060110 | 0.90  | 0.99     | CSPH*3612A**         | 315(A-JAV)060110 | 0.90  | 0.99     | CSPH*3612A**         | 315(A-JAV)060110 | 0.90  | 0.99     |
| FE4AN(B,F)005        |               | 0.94  | 1.03     | CAP**4224A**         | 315(A-JAV)066135 | 0.90  | 0.99     | CAP**4224A**         | 315(A-JAV)066135 | 0.90  | 0.99     | CAP**4224A**         | 315(A-JAV)066135 | 0.90  | 0.99     | CAP**4224A**         | 315(A-JAV)066135 | 0.90  | 0.99     |
| FE4ANB006            |               | 0.95  | 1.04     | CNPH*3617A**         | 315(A-JAV)066135 | 0.90  | 0.99     | CNPH*3617A**         | 315(A-JAV)066135 | 0.90  | 0.99     | CNPH*3617A**         | 315(A-JAV)066135 | 0.90  | 0.99     | CNPH*3617A**         | 315(A-JAV)066135 | 0.90  | 0.99     |
| FE4ANF002            |               | 0.94  | 0.99     | CNPH*4221A**         | 315(A-JAV)066135 | 0.90  | 0.99     | CNPH*4221A**         | 315(A-JAV)066135 | 0.90  | 0.99     | CNPH*4221A**         | 315(A-JAV)066135 | 0.90  | 0.99     | CNPH*4221A**         | 315(A-JAV)066135 | 0.90  | 0.99     |
| FE5ANB004            |               | 0.94  | 1.04     | CSPH*4212A**         | 315(A-JAV)066135 | 0.90  | 0.99     | CSPH*4212A**         | 315(A-JAV)066135 | 0.90  | 0.99     | CSPH*4212A**         | 315(A-JAV)066135 | 0.90  | 0.99     | CSPH*4212A**         | 315(A-JAV)066135 | 0.90  | 0.99     |
| FV4ENP036            |               | 0.99  | 0.99     | CAP**4224A**         | 315(A-JAV)066155 | 0.91  | 1.00     | CAP**4224A**         | 315(A-JAV)066155 | 0.91  | 1.00     | CAP**4224A**         | 315(A-JAV)066155 | 0.91  | 1.00     | CAP**4224A**         | 315(A-JAV)066155 | 0.91  | 1.00     |
| FV4BN(B,F)003        |               | 0.90  | 0.99     | CNPH*3617A**         | 315(A-JAV)066155 | 0.92  | 0.99     | CNPH*3617A**         | 315(A-JAV)066155 | 0.92  | 0.99     | CNPH*3617A**         | 315(A-JAV)066155 | 0.92  | 0.99     | CNPH*3617A**         | 315(A-JAV)066155 | 0.92  | 0.99     |
| FV4BN(B,F)005        |               | 0.94  | 1.03     | CNPH*4221A**         | 315(A-JAV)066155 | 0.91  | 1.00     | CNPH*4221A**         | 315(A-JAV)066155 | 0.91  | 1.00     | CNPH*4221A**         | 315(A-JAV)066155 | 0.91  | 1.00     | CNPH*4221A**         | 315(A-JAV)066155 | 0.91  | 1.00     |
| FV4BNB006            |               | 0.95  | 1.04     | CSPH*3612A**         | 315(A-JAV)066155 | 0.90  | 0.99     | CSPH*3612A**         | 315(A-JAV)066155 | 0.90  | 0.99     | CSPH*3612A**         | 315(A-JAV)066155 | 0.90  | 0.99     | CSPH*3612A**         | 315(A-JAV)066155 | 0.90  | 0.99     |
| FV4BNF002            |               | 0.94  | 0.99     | CSPH*4212A**         | 315(A-JAV)066155 | 0.90  | 0.99     | CSPH*4212A**         | 315(A-JAV)066155 | 0.90  | 0.99     | CSPH*4212A**         | 315(A-JAV)066155 | 0.90  | 0.99     | CSPH*4212A**         | 315(A-JAV)066155 | 0.90  | 0.99     |
| FX4CN(B,F)036        |               | 1.01  | 1.01     | CAP**3617A**         | 353AAV036040     | 0.93  | 0.99     | CAP**3617A**         | 353AAV036040     | 0.93  | 0.99     | CAP**3617A**         | 353AAV036040     | 0.93  | 0.99     | CAP**3617A**         | 353AAV036040     | 0.93  | 0.99     |
| FX4CN(B,F)042        |               | 1.03  | 1.03     | CNPH*3617A**         | 353AAV036040     | 0.92  | 0.99     | CNPH*3617A**         | 353AAV036040     | 0.92  | 0.99     | CNPH*3617A**         | 353AAV036040     | 0.92  | 0.99     | CNPH*3617A**         | 353AAV036040     | 0.92  | 0.99     |
| FY4ANF036            |               | 0.98  | 0.98     | CNPH*4221A**         | 353AAV036040     | 0.92  | 0.99     | CNPH*4221A**         | 353AAV036040     | 0.92  | 0.99     | CNPH*4221A**         | 353AAV036040     | 0.92  | 0.99     | CNPH*4221A**         | 353AAV036040     | 0.92  | 0.99     |
| FY4ANF042            |               | 1.00  | 1.01     | CNPH*3617A**         | 353AAV036040     | 0.92  | 0.99     | CNPH*3617A**         | 353AAV036040     | 0.92  | 0.99     | CNPH*3617A**         | 353AAV036040     | 0.92  | 0.99     | CNPH*3617A**         | 353AAV036040     | 0.92  | 0.99     |
| CAP**3614A**         |               | 0.96  | 0.96     | CNPH*4217A**         | 315(A-JAV)036070 | 0.93  | 0.99     | CNPH*4217A**         | 315(A-JAV)036070 | 0.93  | 0.99     | CNPH*4217A**         | 315(A-JAV)036070 | 0.93  | 0.99     | CNPH*4217A**         | 315(A-JAV)036070 | 0.93  | 0.99     |
| CNPH*3617A**         |               | 0.98  | 0.98     | CSPH*3612A**         | 315(A-JAV)036070 | 0.93  | 0.99     | CSPH*3612A**         | 315(A-JAV)036070 | 0.93  | 0.99     | CSPH*3612A**         | 315(A-JAV)036070 | 0.93  | 0.99     | CSPH*3612A**         | 315(A-JAV)036070 | 0.93  | 0.99     |
| CNPH*4221A**         |               | 0.99  | 0.99     | CNPH*4212A**         | 315(A-JAV)036070 | 0.94  | 0.99     | CNPH*4212A**         | 315(A-JAV)036070 | 0.94  | 0.99     | CNPH*4212A**         | 315(A-JAV)036070 | 0.94  | 0.99     | CNPH*4212A**         | 315(A-JAV)036070 | 0.94  | 0.99     |
| CSPH*3612A**         |               | 0.99  | 0.99     | CAP**3617A**         | 315(A-JAV)036070 | 0.93  | 0.99     | CAP**3617A**         | 315(A-JAV)036070 | 0.93  | 0.99     | CAP**3617A**         | 315(A-JAV)036070 | 0.93  | 0.99     | CAP**3617A**         | 315(A-JAV)036070 | 0.93  | 0.99     |
| CSPH*4212A**         |               | 0.99  | 0.99     | CNPH*3617A**         | 315(A-JAV)036070 | 0.92  | 0.99     | CNPH*3617A**         | 315(A-JAV)036070 | 0.92  | 0.99     | CNPH*3617A**         | 315(A-JAV)036070 | 0.92  | 0.99     | CNPH*3617A**         | 315(A-JAV)036070 | 0.92  | 0.99     |
| CAP**3617A**         |               | 0.99  | 0.99     | CNPH*4221A**         | 315(A-JAV)048090 | 0.92  | 0.99     | CNPH*4221A**         | 315(A-JAV)048090 | 0.92  | 0.99     | CNPH*4221A**         | 315(A-JAV)048090 | 0.92  | 0.99     | CNPH*4221A**         | 315(A-JAV)048090 | 0.92  | 0.99     |

# DETAILED COOLING CAPACITIES# CONTINUED

113A\*AV036 Outdoor Section With CAP\*3617A Indoor Section

| Cooling Indoor Model | Capacity | Power | Furnace Model |
|----------------------|----------|-------|---------------|
| CNPV*3621A**         | 0.99     | 0.93  | 313*AV060110  |
| CNPV*4221A**         | 1.01     | 0.91  | 313*AV060110  |
| CSPH*3612A**         | 1.02     | 0.92  | 313*AV060110  |
| CSPH*4212A**         | 1.03     | 0.94  | 313*AV060110  |

See notes on page 34

| Cooling Indoor Model | Capacity | Power | Furnace Model    |
|----------------------|----------|-------|------------------|
| CAP**3621A**         | 0.99     | 0.94  | 355(A,C)AV042080 |
| CAP**4221A**         | 0.99     | 0.94  | 355(A,C)AV042080 |
| CNPV*3617A**         | 0.98     | 0.93  | 355(A,C)AV042080 |
| CNPV*4221A**         | 0.99     | 0.94  | 355(A,C)AV042080 |
| CNPV*3621A**         | 0.98     | 0.93  | 355(A,C)AV042080 |
| CNPV*4221A**         | 0.99     | 0.94  | 355(A,C)AV042080 |
| CSPH*3612A**         | 0.99     | 0.92  | 355(A,C)AV042080 |
| CSPH*4212A**         | 0.99     | 0.93  | 355(A,C)AV042080 |
| CAP**3621A**         | 0.99     | 0.92  | 355(A,C)AV060080 |
| CAP**4221A**         | 0.99     | 0.93  | 355(A,C)AV060080 |
| CNPV*3617A**         | 0.98     | 0.93  | 355(A,C)AV060080 |
| CNPV*4221A**         | 0.99     | 0.93  | 355(A,C)AV060080 |
| CNPV*3621A**         | 0.98     | 0.93  | 355(A,C)AV060080 |
| CNPV*4221A**         | 0.99     | 0.93  | 355(A,C)AV060080 |
| CSPH*3612A**         | 0.99     | 0.93  | 355(A,C)AV060080 |
| CSPH*4212A**         | 0.99     | 0.90  | 355(A,C)AV060080 |
| CAP**3621A**         | 0.99     | 0.93  | 355(A,C)AV060100 |
| CAP**4221A**         | 1.00     | 0.93  | 355(A,C)AV060100 |
| CNPV*3617A**         | 0.99     | 0.94  | 355(A,C)AV060100 |
| CNPV*4221A**         | 1.00     | 0.93  | 355(A,C)AV060100 |
| CNPV*3621A**         | 0.99     | 0.94  | 355(A,C)AV060100 |
| CNPV*4221A**         | 1.00     | 0.93  | 355(A,C)AV060100 |
| CSPH*3612A**         | 0.99     | 0.94  | 355(A,C)AV060120 |
| CSPH*4212A**         | 0.99     | 0.93  | 355(A,C)AV060120 |
| CAP**3617A**         | 0.99     | 0.90  | 355(A,C)AV060120 |
| CAP**4212A**         | 0.99     | 0.92  | 355(A,C)AV060120 |
| CNPV*3617A**         | 0.98     | 0.93  | 355AAV042040     |
| CNPV*4212A**         | 0.99     | 0.94  | 355AAV042040     |
| CSPH*3612A**         | 0.99     | 0.94  | 355AAV042040     |
| CSPH*4212A**         | 0.99     | 0.93  | 355AAV042040     |
| CAP**3617A**         | 0.99     | 0.96  | 313*AV048070     |
| CAP**4817A**         | 1.02     | 0.95  | 313*AV048070     |
| CNPV*3617A**         | 0.98     | 0.97  | 313*AV048070     |
| CNPV*4221A**         | 0.99     | 0.97  | 313*AV048070     |
| CNPV*3617A**         | 0.98     | 0.96  | 313*AV048070     |
| CNPV*4217A**         | 1.00     | 0.93  | 313*AV048070     |
| CSPH*3612A**         | 1.01     | 0.95  | 313*AV048070     |
| CSPH*4212A**         | 1.02     | 0.95  | 313*AV048070     |
| CAP**3621A**         | 1.00     | 0.91  | 313*AV048090     |
| CAP**4221A**         | 1.01     | 0.91  | 313*AV048090     |
| CNPV*3617A**         | 0.99     | 0.92  | 313*AV048090     |
| CNPV*4221A**         | 1.01     | 0.91  | 313*AV048090     |
| CNPV*3621A**         | 0.99     | 0.92  | 313*AV048090     |
| CNPV*4221A**         | 1.01     | 0.91  | 313*AV048090     |
| CSPH*3612A**         | 1.02     | 0.92  | 313*AV048090     |
| CSPH*4212A**         | 1.02     | 0.93  | 313*AV048090     |
| CAP**3621A**         | 1.01     | 0.91  | 313*AV060110     |
| CAP**4221A**         | 1.01     | 0.92  | 313*AV060110     |
| CNPV*3617A**         | 0.99     | 0.93  | 313*AV060110     |
| CNPV*4221A**         | 1.01     | 0.91  | 313*AV060110     |

DETAILED COOLING CAPACITIES# CONTINUED

| EVAPORATOR AIR |            | CONDENSER ENTERING AIR TEMPERATURES ° F (° C) |               |                |           |                 |                |         |                 |                |            |                 |                |            |                 |                |            |                 |      |
|----------------|------------|---|---------------|----------------|-----------|-----------------|----------------|---------|-----------------|----------------|------------|-----------------|----------------|------------|-----------------|----------------|------------|-----------------|------|
|                |            | 75 (23.9)                                     |               |                | 85 (29.4) |                 |                | 95 (35) |                 |                | 105 (40.6) |                 |                | 115 (46.1) |                 |                | 125 (51.7) |                 |      |
|                |            | CFM   | EWB ° F (° C) | Capacity MBtuh |           | Total Sys. KW** | Capacity MBtuh |         | Total Sys. KW** | Capacity MBtuh |            | Total Sys. KW** | Capacity MBtuh |            | Total Sys. KW** | Capacity MBtuh |            | Total Sys. KW** |      |
| Total          | Sens†      |   |               | Total          | Sens†     |                 | Total          | Sens†   |                 | Total          | Sens†      |                 | Total          | Sens†      |                 |                |            |                 |      |
| 1225           | 72 (22.2)  | 48.49   | 25.49         | 3.39           | 46.39     | 24.89           | 3.73           | 44.18   | 23.85           | 4.11           | 41.83      | 22.97           | 4.52           | 39.28      | 22.03           | 4.98           | 36.45      | 21.00           | 5.47 |
|                | 67 (19.4)  | 44.47   | 31.36         | 3.33           | 42.52     | 30.54           | 3.67           | 40.46   | 29.67           | 4.05           | 38.28      | 28.77           | 4.47           | 35.93      | 27.82           | 4.92           | 33.94      | 26.78           | 5.42 |
|                | 63 (17.2)† | 41.53   | 30.43         | 3.29           | 39.69     | 29.59           | 3.63           | 37.74   | 28.72           | 4.01           | 35.68      | 27.80           | 4.43           | 33.47      | 26.84           | 4.88           | 31.05      | 25.79           | 5.38 |
|                | 62 (16.7)  | 40.83   | 37.19         | 3.28           | 39.07     | 36.35           | 3.63           | 37.22   | 35.45           | 4.00           | 35.29      | 33.48           | 4.42           | 33.32      | 33.32           | 4.88           | 31.36      | 31.36           | 5.38 |
|                | 57 (13.9)  | 39.73   | 38.29         | 3.27           | 38.29     | 36.76           | 3.62           | 36.76   | 36.76           | 4.00           | 35.12      | 35.12           | 4.42           | 33.34      | 33.34           | 4.88           | 31.36      | 31.36           | 5.38 |
| 1400           | 72 (22.2)  | 49.21   | 26.62         | 3.47           | 47.02     | 25.80           | 3.81           | 44.73   | 24.95           | 4.19           | 42.30      | 24.06           | 4.61           | 39.67      | 23.11           | 5.06           | 36.75      | 22.07           | 5.55 |
|                | 67 (19.4)  | 45.16   | 33.20         | 3.42           | 43.14     | 32.37           | 3.76           | 41.00   | 31.49           | 4.13           | 38.75      | 30.59           | 4.55           | 36.34      | 29.63           | 5.01           | 33.67      | 28.57           | 5.50 |
|                | 63 (17.2)† | 42.22   | 32.16         | 3.38           | 40.31     | 31.31           | 3.71           | 38.28   | 30.42           | 4.09           | 36.17      | 29.51           | 4.51           | 33.89      | 28.53           | 4.97           | 31.40      | 27.47           | 5.46 |
|                | 62 (16.7)  | 41.69   | 39.75         | 3.37           | 39.91     | 38.85           | 3.71           | 38.02   | 38.02           | 4.09           | 36.34      | 36.34           | 4.51           | 34.45      | 34.45           | 4.98           | 32.33      | 32.33           | 5.48 |
|                | 57 (13.9)  | 41.25   | 41.25         | 3.37           | 39.72     | 39.72           | 3.71           | 38.08   | 38.08           | 4.09           | 36.34      | 36.34           | 4.51           | 34.45      | 34.45           | 4.98           | 32.33      | 32.33           | 5.48 |
| 1575           | 72 (22.2)  | 49.75   | 27.70         | 3.56           | 47.50     | 26.88           | 3.90           | 45.14   | 26.02           | 4.27           | 42.64      | 25.12           | 4.69           | 39.94      | 24.16           | 5.14           | 36.95      | 23.10           | 5.63 |
|                | 67 (19.4)  | 45.69   | 34.99         | 3.50           | 43.61     | 34.15           | 3.84           | 41.42   | 33.28           | 4.22           | 39.12      | 32.36           | 4.63           | 36.65      | 31.38           | 5.09           | 33.93      | 30.29           | 5.58 |
|                | 63 (17.2)† | 42.52   | 33.85         | 3.46           | 40.79     | 33.00           | 3.80           | 38.72   | 32.11           | 4.17           | 36.55      | 31.18           | 4.59           | 34.23      | 30.18           | 5.05           | 31.68      | 29.07           | 5.54 |
|                | 62 (16.7)  | 42.52   | 42.08         | 3.46           | 40.87     | 40.87           | 3.80           | 39.14   | 39.14           | 4.18           | 37.31      | 37.31           | 4.61           | 35.32      | 35.32           | 5.07           | 33.09      | 33.09           | 5.56 |
|                | 57 (13.9)  | 42.49   | 42.49         | 3.46           | 40.87     | 40.87           | 3.80           | 39.15   | 39.15           | 4.18           | 37.32      | 37.32           | 4.61           | 35.32      | 35.32           | 5.07           | 33.09      | 33.09           | 5.56 |

113A V042 Outdoor Section With 42 Indoor Section

| COOLING INDOOR MODEL | CAPACITY | POWER | FURNACE MODEL | COOLING INDOOR MODEL | CAPACITY | POWER | FURNACE MODEL | COOLING INDOOR MODEL | CAPACITY | POWER | FURNACE MODEL | COOLING INDOOR MODEL | CAPACITY | POWER | FURNACE MODEL    | COOLING INDOOR MODEL | CAPACITY | POWER | FURNACE MODEL    |
|----------------------|----------|-------|---------------|----------------------|----------|-------|---------------|----------------------|----------|-------|---------------|----------------------|----------|-------|------------------|----------------------|----------|-------|------------------|
|                      |          |       |               |                      |          |       |               |                      |          |       |               |                      |          |       |                  |                      |          |       |                  |
| CAP**4224A**         | 1.00     | 1.00  |               | CNP**4221A**         | 0.99     | 0.93  | 353AAV036040  | CNP**4821A**         | 0.99     | 0.93  | 353AAV036040  | CNP**4221A**         | 1.00     | 0.92  | 355(A)CJAV042040 | CNP**4824A**         | 1.00     | 0.92  | 353AAV060120     |
| CAP**4817A**         | 1.01     | 1.01  |               | CNP**4817A**         | 1.00     | 0.94  | 353AAV036040  | CSPH**4212A**        | 1.00     | 0.94  | 353AAV036040  | CSPH**4812A**        | 1.00     | 0.92  | 355(A)CJAV042040 | CSPH**4212A**        | 1.00     | 0.92  | 353AAV060120     |
| CAP**4824A**         | 1.01     | 1.01  |               | CSPH**4212A**        | 1.00     | 0.94  | 353AAV036040  | CAP**4224A**         | 1.00     | 0.94  | 353AAV036040  | CAP**4824A**         | 0.98     | 0.96  | 355(A)CJAV042040 | CAP**4224A**         | 0.98     | 0.96  | 355(A)CJAV042040 |
| CNP**4818A**         | 1.01     | 1.01  |               | CSPH**4812A**        | 1.00     | 0.94  | 353AAV036040  | CNP**4812A**         | 1.00     | 0.94  | 353AAV036040  | CNP**4221A**         | 1.00     | 0.98  | 355(A)CJAV042040 | CNP**4812A**         | 1.00     | 0.98  | 355(A)CJAV042040 |
| CNP**4221A**         | 1.00     | 1.00  |               | CAP**4817A**         | 1.00     | 0.94  | 353AAV036060  | CNP**4221A**         | 1.00     | 0.94  | 353AAV036060  | CNP**4221A**         | 0.98     | 0.96  | 355(A)CJAV042040 | CNP**4221A**         | 0.98     | 0.96  | 355(A)CJAV042040 |
| CNP**4821A**         | 1.01     | 1.01  |               | CNP**4221A**         | 0.99     | 0.94  | 353AAV036060  | CNP**4821A**         | 0.99     | 0.94  | 353AAV036060  | CNP**4821A**         | 1.00     | 0.97  | 355(A)CJAV042040 | CNP**4821A**         | 1.00     | 0.97  | 355(A)CJAV042040 |
| CNP**4221A**         | 1.00     | 1.00  |               | CNP**4821A**         | 1.00     | 0.94  | 353AAV036060  | CNP**4221A**         | 1.00     | 0.94  | 353AAV036060  | CNP**4221A**         | 1.00     | 0.98  | 355(A)CJAV042040 | CNP**4221A**         | 1.00     | 0.98  | 355(A)CJAV042040 |
| CNP**4821A**         | 1.00     | 1.00  |               | CNP**4217A**         | 1.00     | 0.94  | 353AAV036060  | CNP**4821A**         | 1.00     | 0.94  | 353AAV036060  | CNP**4217A**         | 1.00     | 0.96  | 355(A)CJAV042040 | CNP**4821A**         | 1.00     | 0.96  | 355(A)CJAV042040 |
| CNP**4221A**         | 1.00     | 1.00  |               | CSPH**4212A**        | 1.00     | 0.94  | 353AAV036060  | CSPH**4212A**        | 1.00     | 0.94  | 353AAV036060  | CSPH**4212A**        | 1.00     | 0.98  | 355(A)CJAV042040 | CSPH**4212A**        | 1.00     | 0.98  | 355(A)CJAV042040 |
| CNP**4824A**         | 1.01     | 1.01  |               | CSPH**4812A**        | 1.00     | 0.94  | 353AAV036060  | CSPH**4812A**        | 1.00     | 0.94  | 353AAV036060  | CSPH**4812A**        | 1.00     | 0.95  | 355(A)CJAV042040 | CSPH**4812A**        | 1.00     | 0.95  | 355(A)CJAV042040 |
| CSPH**4212A**        | 1.00     | 1.00  |               | CAP**4817A**         | 1.00     | 0.94  | 353AAV036080  | CAP**4817A**         | 1.00     | 0.94  | 353AAV036080  | CAP**4817A**         | 1.00     | 0.96  | 355(A)CJAV042040 | CAP**4817A**         | 1.00     | 0.96  | 355(A)CJAV042040 |
| CSPH**4812A**        | 1.01     | 1.01  |               | CNP**4221A**         | 0.99     | 0.93  | 353AAV036080  | CNP**4221A**         | 0.99     | 0.93  | 353AAV036080  | CNP**4221A**         | 1.00     | 0.98  | 355(A)CJAV042040 | CNP**4221A**         | 1.00     | 0.98  | 355(A)CJAV042040 |
| FV4BN(B,F)003        | 1.01     | 0.94  |               | CNP**4821A**         | 1.00     | 0.94  | 353AAV036080  | CNP**4821A**         | 1.00     | 0.94  | 353AAV036080  | CNP**4821A**         | 1.00     | 0.97  | 355(A)CJAV042040 | CNP**4821A**         | 1.00     | 0.97  | 355(A)CJAV042040 |
| FV4BN(B,F)005        | 1.01     | 0.95  |               | CNP**4217A**         | 1.00     | 0.94  | 353AAV036080  | CNP**4217A**         | 1.00     | 0.94  | 353AAV036080  | CNP**4217A**         | 1.00     | 0.96  | 355(A)CJAV042040 | CNP**4217A**         | 1.00     | 0.96  | 355(A)CJAV042040 |
| FV4BN(B,F)042        | 1.04     | 0.95  |               | CSPH**4212A**        | 1.00     | 0.94  | 353AAV036080  | CSPH**4212A**        | 1.00     | 0.94  | 353AAV036080  | CSPH**4212A**        | 1.00     | 0.99  | 355(A)CJAV042040 | CSPH**4212A**        | 1.00     | 0.99  | 355(A)CJAV042040 |
| FV4BN(B,F)048        | 1.04     | 0.99  |               | CSPH**4812A**        | 1.00     | 0.94  | 353AAV036080  | CSPH**4812A**        | 1.00     | 0.94  | 353AAV036080  | CSPH**4812A**        | 1.00     | 0.96  | 355(A)CJAV042040 | CSPH**4812A**        | 1.00     | 0.96  | 355(A)CJAV042040 |
| FV4ANF042            | 1.00     | 1.00  |               | CAP**4817A**         | 1.00     | 0.94  | 353AAV048080  | CAP**4817A**         | 1.00     | 0.94  | 353AAV048080  | CAP**4817A**         | 1.00     | 0.98  | 355(A)CJAV042040 | CAP**4817A**         | 1.00     | 0.98  | 355(A)CJAV042040 |
| FV4ANF048            | 1.02     | 1.02  |               | CNP**4821A**         | 1.00     | 0.94  | 353AAV048080  | CNP**4821A**         | 1.00     | 0.94  | 353AAV048080  | CNP**4821A**         | 1.00     | 0.99  | 355(A)CJAV042040 | CNP**4821A**         | 1.00     | 0.99  | 355(A)CJAV042040 |
| CNP**4221A**         | 0.99     | 0.97  |               | CNP**4217A**         | 1.00     | 0.94  | 353AAV048080  | CNP**4217A**         | 1.00     | 0.94  | 353AAV048080  | CNP**4217A**         | 1.00     | 0.99  | 355(A)CJAV042040 | CNP**4217A**         | 1.00     | 0.99  | 355(A)CJAV042040 |
| CNP**4821A**         | 1.00     | 0.98  |               | CSPH**4212A**        | 1.00     | 0.94  | 353AAV048080  | CSPH**4212A**        | 1.00     | 0.94  | 353AAV048080  | CSPH**4212A**        | 1.00     | 0.99  | 355(A)CJAV042040 | CSPH**4212A**        | 1.00     | 0.99  | 355(A)CJAV042040 |
| CSPH**4212A**        | 0.99     | 0.97  |               | CAP**4812A**         | 1.00     | 0.94  | 353AAV048080  | CAP**4812A**         | 1.00     | 0.94  | 353AAV048080  | CAP**4812A**         | 1.00     | 0.96  | 355(A)CJAV042040 | CAP**4812A**         | 1.00     | 0.96  | 355(A)CJAV042040 |
| CSPH**4812A**        | 1.00     | 0.98  |               | CAP**4221A**         | 0.99     | 0.93  | 353AAV060100  | CAP**4221A**         | 0.99     | 0.93  | 353AAV060100  | CAP**4221A**         | 1.00     | 0.98  | 355(A)CJAV042040 | CAP**4221A**         | 1.00     | 0.98  | 355(A)CJAV042040 |
| CAP**4817A**         | 0.98     | 0.93  |               | CAP**4821A**         | 1.00     | 0.92  | 353AAV060100  | CAP**4821A**         | 1.00     | 0.92  | 353AAV060100  | CAP**4821A**         | 1.00     | 0.99  | 355(A)CJAV042040 | CAP**4821A**         | 1.00     | 0.99  | 355(A)CJAV042040 |
| CNPV**4217A**        | 0.99     | 0.93  |               | CNP**4221A**         | 0.99     | 0.93  | 353AAV060100  | CNP**4221A**         | 0.99     | 0.93  | 353AAV060100  | CNP**4221A**         | 1.00     | 0.99  | 355(A)CJAV042040 | CNP**4221A**         | 1.00     | 0.99  | 355(A)CJAV042040 |
| CAP**4221A**         | 0.99     | 0.97  |               | CNP**4821A**         | 1.00     | 0.92  | 353AAV060100  | CNP**4821A**         | 1.00     | 0.92  | 353AAV060100  | CNP**4821A**         | 1.00     | 0.99  | 355(A)CJAV042040 | CNP**4821A**         | 1.00     | 0.99  | 355(A)CJAV042040 |
| CAP**4821A**         | 1.00     | 0.96  |               | CNPV**4221A**        | 0.99     | 0.93  | 353AAV060100  | CNPV**4221A**        | 0.99     | 0.93  | 353AAV060100  | CNPV**4221A**        | 1.00     | 0.99  | 355(A)CJAV042040 | CNPV**4221A**        | 1.00     | 0.99  | 355(A)CJAV042040 |
| CNPV**4221A**        | 0.99     | 0.94  |               | CNP**4821A**         | 1.00     | 0.92  | 353AAV060100  | CNP**4821A**         | 1.00     | 0.92  | 353AAV060100  | CNP**4821A**         | 1.00     | 0.99  | 355(A)CJAV042040 | CNP**4821A**         | 1.00     | 0.99  | 355(A)CJAV042040 |
| CNPV**4821A**        | 1.00     | 0.96  |               | CSPH**4212A**        | 1.00     | 0.92  | 353AAV060100  | CSPH**4212A**        | 1.00     | 0.92  | 353AAV060100  | CSPH**4212A**        | 1.00     | 0.99  | 355(A)CJAV042040 | CSPH**4212A**        | 1.00     | 0.99  | 355(A)CJAV042040 |
| CAP**4224A**         | 0.99     | 0.94  |               | CNP**4812A**         | 1.00     | 0.92  | 353AAV060100  | CNP**4812A**         | 1.00     | 0.92  | 353AAV060100  | CNP**4812A**         | 1.00     | 0.99  | 355(A)CJAV042040 | CNP**4812A**         | 1.00     | 0.99  | 355(A)CJAV042040 |
| CAP**4824A**         | 1.00     | 0.94  |               | CSPH**4812A**        | 1.00     | 0.92  | 353AAV060100  | CSPH**4812A**        | 1.00     | 0.92  | 353AAV060100  | CSPH**4812A**        | 1.00     | 0.99  | 355(A)CJAV042040 | CSPH**4812A**        | 1.00     | 0.99  | 355(A)CJAV042040 |
| CNPV**4824A**        | 1.00     | 0.94  |               | CAP**4224A**         | 0.99     | 0.91  | 353AAV060120  | CAP**4224A**         | 0.99     | 0.91  | 353AAV060120  | CAP**4224A**         | 1.00     | 0.99  | 355(A)CJAV042040 | CAP**4224A**         | 1.00     | 0.99  | 355(A)CJAV042040 |
| CNPV**4824A**        | 1.00     |       |               |                      |          |       |               |                      |          |       |               |                      |          |       |                  |                      |          |       |                  |

# DETAILED COOLING CAPACITIES# CONTINUED

113A\*4042 Outdoor Section With 42 Indoor Section

| COOLING INDOOR MODEL | CAPACITY | POWER | FURNACE MODEL |
|----------------------|----------|-------|---------------|
| CNPH*4221A**         | 0.99     | 0.91  | 313*AV060110  |
| CNPH*4821A**         | 1.00     | 0.92  | 313*AV060110  |
| CNPV*4221A**         | 0.99     | 0.91  | 313*AV060110  |
| CNPV*4821A**         | 1.00     | 0.92  | 313*AV060110  |
| CSPH*4212A**         | 0.99     | 0.91  | 313*AV060110  |
| CSPH*4812A**         | 1.00     | 0.92  | 313*AV060110  |
| CAP**4224A**         | 0.99     | 0.91  | 313*AV060135  |
| CAP**4824A**         | 1.00     | 0.92  | 313*AV060135  |
| CNPH*4221A**         | 0.99     | 0.93  | 313*AV060135  |
| CNPH*4821A**         | 1.00     | 0.92  | 313*AV060135  |
| CNPV*4824A**         | 1.00     | 0.92  | 313*AV060135  |
| CSPH*4212A**         | 0.99     | 0.91  | 313*AV060135  |
| CSPH*4812A**         | 1.00     | 0.92  | 313*AV060135  |

See notes on page 34

DETAILED COOLING CAPACITIES# CONTINUED

| EVAPORATOR AIR  |             | CONDENSER ENTERING AIR TEMPERATURES ° F (° C) |                  |                |       |                       |                |                       |                |         |                       |                |                       |                |       |                       |                |                       |                |       |                       |                |                       |       |       |
|---|-------------|---|------------------|----------------|-------|-----------------------|----------------|-----------------------|----------------|---------|-----------------------|----------------|-----------------------|----------------|-------|-----------------------|----------------|-----------------------|----------------|-------|-----------------------|----------------|-----------------------|-------|-------|
|   |             | 75 (23.9)                                     |                  |                |       | 85 (29.4)             |                |                       |                | 95 (35) |                       |                |                       | 105 (40.6)     |       |                       |                | 115 (46.1)            |                |       |                       | 125 (51.7)     |                       |       |       |
|   |             | CFM   | EWB<br>° F (° C) | Capacity MBtuh |       | Total<br>Sys.<br>KW** | Capacity MBtuh | Total<br>Sys.<br>KW** | Capacity MBtuh |         | Total<br>Sys.<br>KW** | Capacity MBtuh | Total<br>Sys.<br>KW** | Capacity MBtuh |       | Total<br>Sys.<br>KW** | Capacity MBtuh | Total<br>Sys.<br>KW** | Capacity MBtuh |       | Total<br>Sys.<br>KW** | Capacity MBtuh | Total<br>Sys.<br>KW** |       |       |
|   |             |   |                  | Total          | Sens† |                       |                |                       | Total          | Sens†   |                       |                |                       | Total          | Sens† |                       |                |                       | Total          | Sens† |                       |                |                       | Total | Sens† |
| 113A* A048 Outdoor Section With CAP**4821A** Indoor Section |             |   |                  |                |       |                       |                |                       |                |         |                       |                |                       |                |       |                       |                |                       |                |       |                       |                |                       |       |       |
|   | 72 (22.2)   | 54.48   | 26.42            | 3.32           | 52.18 | 25.62                 | 3.67           | 49.73                 | 24.77          | 4.05    | 47.13                 | 23.89          | 4.48                  | 44.34          | 22.96 | 4.94                  | 41.30          | 21.95                 | 5.45           |       |                       |                |                       |       |       |
| 1400  | 67 (19.4)   | 49.80   | 32.57            | 3.30           | 47.63 | 31.74                 | 3.64           | 45.34                 | 30.88          | 4.03    | 42.93                 | 29.97          | 4.45                  | 40.34          | 29.02 | 4.92                  | 37.58          | 28.02                 | 5.43           |       |                       |                |                       |       |       |
|   | 63 (17.2)†† | 46.41   | 31.55            | 3.28           | 44.36 | 30.70                 | 3.63           | 42.19                 | 29.82          | 4.01    | 39.89                 | 29.90          | 4.44                  | 37.46          | 27.94 | 4.91                  | 34.91          | 26.94                 | 5.42           |       |                       |                |                       |       |       |
|   | 62 (16.7)   | 45.58   | 38.68            | 3.28           | 43.61 | 37.81                 | 3.62           | 41.55                 | 36.89          | 4.01    | 39.45                 | 39.21          | 4.43                  | 37.47          | 37.47 | 4.91                  | 35.38          | 35.38                 | 5.42           |       |                       |                |                       |       |       |
|   | 57 (13.9)   | 44.55   | 44.55            | 3.27           | 42.94 | 42.94                 | 3.62           | 41.23                 | 41.23          | 4.01    | 39.42                 | 39.42          | 4.43                  | 37.47          | 37.47 | 4.91                  | 35.39          | 35.39                 | 5.42           |       |                       |                |                       |       |       |
| 1600  | 72 (22.2)   | 55.34   | 27.67            | 3.40           | 52.95 | 26.86                 | 3.75           | 50.42                 | 26.01          | 4.13    | 47.73                 | 25.12          | 4.56                  | 44.84          | 24.17 | 5.02                  | 41.69          | 23.15                 | 5.52           |       |                       |                |                       |       |       |
|   | 67 (19.4)   | 50.62   | 34.60            | 3.38           | 48.38 | 33.76                 | 3.72           | 46.00                 | 32.88          | 4.11    | 43.51                 | 31.98          | 4.53                  | 40.84          | 31.01 | 5.00                  | 38.00          | 29.98                 | 5.51           |       |                       |                |                       |       |       |
|   | 63 (17.2)†† | 47.22   | 33.46            | 3.36           | 45.08 | 32.60                 | 3.71           | 42.83                 | 31.74          | 4.09    | 40.47                 | 30.78          | 4.52                  | 37.96          | 29.80 | 4.99                  | 35.33          | 28.77                 | 5.49           |       |                       |                |                       |       |       |
|   | 62 (16.7)   | 46.58   | 41.42            | 3.36           | 44.61 | 44.23                 | 3.70           | 42.74                 | 42.74          | 4.09    | 40.82                 | 40.82          | 4.52                  | 38.75          | 38.75 | 4.99                  | 36.51          | 36.51                 | 5.50           |       |                       |                |                       |       |       |
| 1800  | 72 (22.2)   | 55.96   | 28.85            | 3.48           | 53.51 | 28.03                 | 3.83           | 50.90                 | 27.17          | 4.21    | 48.15                 | 26.28          | 4.64                  | 45.18          | 25.32 | 5.10                  | 41.94          | 24.28                 | 5.60           |       |                       |                |                       |       |       |
|   | 67 (19.4)   | 51.21   | 36.53            | 3.46           | 48.91 | 35.69                 | 3.80           | 46.48                 | 34.81          | 4.19    | 43.93                 | 33.88          | 4.61                  | 41.20          | 32.89 | 5.08                  | 38.30          | 31.83                 | 5.58           |       |                       |                |                       |       |       |
|   | 63 (17.2)†† | 47.80   | 35.26            | 3.44           | 45.61 | 34.40                 | 3.79           | 43.31                 | 33.50          | 4.17    | 40.89                 | 32.56          | 4.60                  | 38.33          | 31.55 | 5.06                  | 35.64          | 30.47                 | 5.57           |       |                       |                |                       |       |       |
|   | 62 (16.7)   | 47.66   | 47.66            | 3.44           | 45.87 | 45.87                 | 3.79           | 43.97                 | 43.97          | 4.17    | 41.94                 | 41.94          | 4.60                  | 39.77          | 39.77 | 5.07                  | 37.41          | 37.41                 | 5.58           |       |                       |                |                       |       |       |
| 57 (13.9)   | 47.67       | 47.67   | 3.44             | 45.88          | 45.88 | 3.79                  | 43.97          | 43.97                 | 4.17           | 41.95   | 41.95                 | 4.60           | 39.77                 | 39.77          | 5.07  | 37.41                 | 37.41          | 5.58                  |                |       |                       |                |                       |       |       |

| Cooling Indoor Model | Capacity | Power | Furnace Model    | Cooling Indoor Model | Capacity | Power | Furnace Model    | Cooling Indoor Model | Capacity | Power | Furnace Model    | Cooling Indoor Model | Capacity | Power | Furnace Model    |
|----------------------|----------|-------|------------------|----------------------|----------|-------|------------------|----------------------|----------|-------|------------------|----------------------|----------|-------|------------------|
|                      |          |       |                  |                      |          |       |                  |                      |          |       |                  |                      |          |       |                  |
| CAP**4817A**         | 0.98     | 0.98  |                  | CNPV*4821A**         | 0.98     | 0.92  | 315(A-J)AV066135 | CNPV*4821A**         | 0.98     | 0.92  | 315(A-J)AV066135 | CNPV*4821A**         | 0.98     | 0.92  | 315(A-J)AV066135 |
| CAP**4824A**         | 0.99     | 0.99  |                  | CNPV*6024A**         | 1.00     | 0.92  | 315(A-J)AV066135 | CNPV*6024A**         | 1.00     | 0.92  | 315(A-J)AV066135 | CNPV*6024A**         | 1.00     | 0.92  | 315(A-J)AV066135 |
| CAP**6021A**         | 1.00     | 0.99  |                  | CNPV*4824A**         | 0.98     | 0.92  | 315(A-J)AV066135 | CNPV*4824A**         | 0.98     | 0.92  | 315(A-J)AV066135 | CNPV*4824A**         | 0.98     | 0.92  | 315(A-J)AV066135 |
| CAP**6024A**         | 1.01     | 0.99  |                  | CSPH*4818A**         | 0.98     | 0.92  | 315(A-J)AV066135 | CSPH*4818A**         | 0.98     | 0.92  | 315(A-J)AV066135 | CSPH*4818A**         | 0.98     | 0.92  | 315(A-J)AV066135 |
| CNPV*4818A**         | 0.98     | 0.98  |                  | CSPH*4812A**         | 0.98     | 0.92  | 315(A-J)AV066135 | CSPH*4812A**         | 0.98     | 0.92  | 315(A-J)AV066135 | CSPH*4812A**         | 0.98     | 0.92  | 315(A-J)AV066135 |
| CNPV*4821A**         | 0.99     | 0.99  |                  | CAP**4824A**         | 0.98     | 0.90  | 315(A-J)AV066155 | CAP**4824A**         | 0.98     | 0.90  | 315(A-J)AV066155 | CAP**4824A**         | 0.98     | 0.90  | 315(A-J)AV066155 |
| CNPV*6024A**         | 1.01     | 0.99  |                  | CNPV*4824A**         | 0.98     | 0.92  | 315(A-J)AV066155 | CNPV*4824A**         | 0.98     | 0.92  | 315(A-J)AV066155 | CNPV*4824A**         | 0.98     | 0.92  | 315(A-J)AV066155 |
| CNPV*4824A**         | 0.99     | 0.99  |                  | CNPV*6024A**         | 1.00     | 0.90  | 315(A-J)AV066155 | CNPV*6024A**         | 1.00     | 0.90  | 315(A-J)AV066155 | CNPV*6024A**         | 1.00     | 0.90  | 315(A-J)AV066155 |
| CNPV*6024A**         | 1.01     | 0.99  |                  | CNPV*4812A**         | 0.98     | 0.90  | 315(A-J)AV066155 | CNPV*4812A**         | 0.98     | 0.90  | 315(A-J)AV066155 | CNPV*4812A**         | 0.98     | 0.90  | 315(A-J)AV066155 |
| CSPH*4812A**         | 1.00     | 1.00  |                  | CSPH*4812A**         | 0.98     | 0.90  | 315(A-J)AV066155 | CSPH*4812A**         | 0.98     | 0.90  | 315(A-J)AV066155 | CSPH*4812A**         | 0.98     | 0.90  | 315(A-J)AV066155 |
| CSPH*6012A**         | 1.01     | 0.99  |                  | CSPH*4812A**         | 0.98     | 0.90  | 315(A-J)AV066155 | CSPH*4812A**         | 0.98     | 0.90  | 315(A-J)AV066155 | CSPH*4812A**         | 0.98     | 0.90  | 315(A-J)AV066155 |
| FE4N(B,F)005         | 1.00     | 0.92  |                  | CSPH*6012A**         | 1.00     | 0.90  | 315(A-J)AV066155 | CSPH*6012A**         | 1.00     | 0.90  | 315(A-J)AV066155 | CSPH*6012A**         | 1.00     | 0.90  | 315(A-J)AV066155 |
| FE4N(B)006           | 1.01     | 0.91  |                  | CAP**4817A**         | 0.98     | 0.98  | 353AAV048080     | CAP**4817A**         | 0.98     | 0.98  | 353AAV048080     | CAP**4817A**         | 0.98     | 0.98  | 353AAV048080     |
| FV4B(N,B,F)005       | 1.00     | 0.92  |                  | CNPV*4821A**         | 0.98     | 0.92  | 353AAV048080     | CNPV*4821A**         | 0.98     | 0.92  | 353AAV048080     | CNPV*4821A**         | 0.98     | 0.92  | 353AAV048080     |
| FV4B(N)006           | 1.01     | 0.91  |                  | CNPV*4821A**         | 0.98     | 0.92  | 353AAV048080     | CNPV*4821A**         | 0.98     | 0.92  | 353AAV048080     | CNPV*4821A**         | 0.98     | 0.92  | 353AAV048080     |
| FX4C(N,B,F)048       | 1.00     | 0.92  |                  | CNPV*6024A**         | 1.00     | 0.90  | 353AAV048080     | CNPV*6024A**         | 1.00     | 0.90  | 353AAV048080     | CNPV*6024A**         | 1.00     | 0.90  | 353AAV048080     |
| FX4C(N,B,F)060       | 1.03     | 0.95  |                  | CNPV*4812A**         | 0.98     | 0.90  | 353AAV048080     | CNPV*4812A**         | 0.98     | 0.90  | 353AAV048080     | CNPV*4812A**         | 0.98     | 0.90  | 353AAV048080     |
| FY4A(N)060           | 1.01     | 0.97  |                  | CSPH*6012A**         | 0.98     | 0.92  | 353AAV048080     | CSPH*6012A**         | 0.98     | 0.92  | 353AAV048080     | CSPH*6012A**         | 0.98     | 0.92  | 353AAV048080     |
| FY4A(N)F048          | 0.99     | 0.99  |                  | CAP**4821A**         | 0.98     | 0.92  | 353AAV060100     | CAP**4821A**         | 0.98     | 0.92  | 353AAV060100     | CAP**4821A**         | 0.98     | 0.92  | 353AAV060100     |
| CAP**4817A**         | 0.98     | 0.94  | 315(A-J)AV048090 | CAP**6021A**         | 0.98     | 0.90  | 353AAV060100     | CAP**6021A**         | 0.98     | 0.90  | 353AAV060100     | CAP**6021A**         | 0.98     | 0.90  | 353AAV060100     |
| CNPV*4821A**         | 0.98     | 0.92  | 315(A-J)AV048090 | CNPV*4821A**         | 0.98     | 0.92  | 353AAV060100     | CNPV*4821A**         | 0.98     | 0.92  | 353AAV060100     | CNPV*4821A**         | 0.98     | 0.92  | 353AAV060100     |
| CNPV*6024A**         | 1.00     | 0.94  | 315(A-J)AV048090 | CNPV*6024A**         | 1.00     | 0.90  | 353AAV060100     | CNPV*6024A**         | 1.00     | 0.90  | 353AAV060100     | CNPV*6024A**         | 1.00     | 0.90  | 353AAV060100     |
| CSPH*4812A**         | 1.01     | 0.93  | 315(A-J)AV048090 | CSPH*4812A**         | 0.98     | 0.92  | 353AAV060100     | CSPH*4812A**         | 0.98     | 0.92  | 353AAV060100     | CSPH*4812A**         | 0.98     | 0.92  | 353AAV060100     |
| CSPH*6012A**         | 1.00     | 0.92  | 315(A-J)AV060110 | CSPH*6012A**         | 0.98     | 0.92  | 353AAV060100     | CSPH*6012A**         | 0.98     | 0.92  | 353AAV060100     | CSPH*6012A**         | 0.98     | 0.92  | 353AAV060100     |
| CAP**4821A**         | 0.98     | 0.92  | 315(A-J)AV060110 | CAP**4824A**         | 0.98     | 0.90  | 353AAV060100     | CAP**4824A**         | 0.98     | 0.90  | 353AAV060100     | CAP**4824A**         | 0.98     | 0.90  | 353AAV060100     |
| CNPV*4821A**         | 0.98     | 0.92  | 315(A-J)AV060110 | CNPV*4824A**         | 0.98     | 0.92  | 353AAV060100     | CNPV*4824A**         | 0.98     | 0.92  | 353AAV060100     | CNPV*4824A**         | 0.98     | 0.92  | 353AAV060100     |
| CNPV*6024A**         | 1.00     | 0.92  | 315(A-J)AV060110 | CNPV*6024A**         | 1.00     | 0.90  | 353AAV060100     | CNPV*6024A**         | 1.00     | 0.90  | 353AAV060100     | CNPV*6024A**         | 1.00     | 0.90  | 353AAV060100     |
| CNPV*4821A**         | 0.98     | 0.92  | 315(A-J)AV060110 | CNPV*4821A**         | 0.98     | 0.92  | 353AAV060100     | CNPV*4821A**         | 0.98     | 0.92  | 353AAV060100     | CNPV*4821A**         | 0.98     | 0.92  | 353AAV060100     |
| CSPH*4812A**         | 0.98     | 0.92  | 315(A-J)AV060110 | CSPH*4812A**         | 0.98     | 0.92  | 353AAV060100     | CSPH*4812A**         | 0.98     | 0.92  | 353AAV060100     | CSPH*4812A**         | 0.98     | 0.92  | 353AAV060100     |
| CSPH*6012A**         | 1.00     | 0.92  | 315(A-J)AV060110 | CSPH*6012A**         | 0.98     | 0.90  | 353AAV060100     | CSPH*6012A**         | 0.98     | 0.90  | 353AAV060100     | CSPH*6012A**         | 0.98     | 0.90  | 353AAV060100     |
| CAP**4824A**         | 0.98     | 0.92  | 315(A-J)AV066135 | CAP**4824A**         | 0.98     | 0.92  | 315(A-J)AV066135 | CAP**4824A**         | 0.98     | 0.92  | 315(A-J)AV066135 | CAP**4824A**         | 0.98     | 0.92  | 315(A-J)AV066135 |



# DETAILED COOLING CAPACITIES# CONTINUED

113A\* A048 Outdoor Section With CAP\*\*4821A\*\* Indoor Section

| Cooling Indoor Model | Capacity | Power | Furnace Model |
|----------------------|----------|-------|---------------|
| CNPV*4821A**         | 0.98     | 0.92  | 313*AV060110  |
| CSPH*4812A**         | 0.98     | 0.92  | 313*AV060110  |
| CSPH*6012A**         | 1.00     | 0.92  | 313*AV060110  |
| CAP**4824A**         | 0.99     | 0.93  | 313*AV060135  |
| CAP**6024A**         | 1.00     | 0.92  | 313*AV060135  |
| CNPV*4821A**         | 0.99     | 0.93  | 313*AV060135  |
| CNPV*6024A**         | 1.00     | 0.92  | 313*AV060135  |
| CNPV*4824A**         | 0.99     | 0.93  | 313*AV060135  |
| CNPV*6024A**         | 1.00     | 0.92  | 313*AV060135  |
| CSPH*4812A**         | 0.99     | 0.93  | 313*AV060135  |
| CSPH*6012A**         | 1.00     | 0.92  | 313*AV060135  |

See notes on page 34

DETAILED COOLING CAPACITIES# CONTINUED

| EVAPORATOR AIR   |             | CONDENSER ENTERING AIR TEMPERATURES ° F (° C) |               |                |       |                 |                |       |                 |                |       |                 |                |            |                 |                |       |                 |                |  |                 |            |  |
|--|-------------|---|---------------|----------------|-------|-----------------|----------------|-------|-----------------|----------------|-------|-----------------|----------------|------------|-----------------|----------------|-------|-----------------|----------------|--|-----------------|------------|--|
|  |             | 75 (23.9)                                     |               |                |       | 85 (29.4)       |                |       |                 | 95 (35)        |       |                 |                | 105 (40.6) |                 |                |       | 115 (46.1)      |                |  |                 | 125 (51.7) |  |
|  |             | CFM   | EWB ° F (° C) | Capacity MBtuh |       | Total Sys. KW** | Capacity MBtuh |       | Total Sys. KW** | Capacity MBtuh |       | Total Sys. KW** | Capacity MBtuh |            | Total Sys. KW** | Capacity MBtuh |       | Total Sys. KW** | Capacity MBtuh |  | Total Sys. KW** |            |  |
| Total  | Sens†       |   |               | Total          | Sens† |                 | Total          | Sens† |                 | Total          | Sens† |                 | Total          | Sens†      |                 | Total          | Sens† |                 |                |  |                 |            |  |
| <b>113A*AV060 Outdoor Section With CAP**6034A** Indoor Section</b> |             |   |               |                |       |                 |                |       |                 |                |       |                 |                |            |                 |                |       |                 |                |  |                 |            |  |
|  | 72 (22.2)   | 67.80   | 34.89         | 4.35           | 64.83 | 33.80           | 4.80           | 61.64 | 32.64           | 5.29           | 58.24 | 31.43           | 5.83           | 54.52      | 30.11           | 6.41           | 50.31 | 28.85           | 7.04           |  |                 |            |  |
|  | 67 (19.4)   | 62.53   | 43.30         | 4.28           | 59.78 | 42.18           | 4.73           | 56.82 | 41.00           | 5.22           | 53.69 | 39.76           | 5.76           | 50.29      | 38.43           | 6.35           | 46.47 | 36.96           | 6.99           |  |                 |            |  |
| 1750   | 63 (17.2)†† | 58.72   | 42.13         | 4.23           | 56.15 | 41.01           | 4.68           | 53.37 | 39.81           | 5.17           | 50.43 | 38.56           | 5.71           | 47.26      | 37.23           | 6.31           | 43.72 | 35.76           | 6.95           |  |                 |            |  |
|  | 62 (16.7)   | 57.74   | 51.63         | 4.22           | 55.26 | 50.49           | 4.66           | 52.60 | 49.24           | 5.16           | 49.85 | 49.43           | 5.71           | 47.17      | 47.17           | 6.31           | 44.20 | 44.20           | 6.96           |  |                 |            |  |
|  | 57 (13.9)   | 56.44   | 56.44         | 4.20           | 54.39 | 54.39           | 4.65           | 52.16 | 52.16           | 5.15           | 49.79 | 49.79           | 5.71           | 47.18      | 47.18           | 6.31           | 44.20 | 44.20           | 6.96           |  |                 |            |  |
|  | 72 (22.2)   | 68.70   | 36.53         | 4.46           | 65.64 | 35.43           | 4.91           | 62.33 | 34.26           | 5.40           | 58.81 | 33.03           | 5.94           | 54.97      | 31.69           | 6.52           | 50.63 | 30.21           | 7.14           |  |                 |            |  |
|  | 67 (19.4)   | 63.42   | 45.98         | 4.39           | 60.56 | 44.86           | 4.83           | 57.50 | 43.66           | 5.33           | 54.27 | 42.41           | 5.87           | 50.76      | 41.06           | 6.46           | 46.84 | 39.55           | 7.09           |  |                 |            |  |
| 2000   | 63 (17.2)†† | 59.63   | 44.67         | 4.34           | 56.94 | 43.52           | 4.78           | 54.07 | 42.32           | 5.28           | 51.04 | 41.05           | 5.82           | 47.76      | 39.69           | 6.41           | 44.11 | 38.17           | 7.06           |  |                 |            |  |
|  | 62 (16.7)   | 58.86   | 55.26         | 4.33           | 56.34 | 55.78           | 4.78           | 53.88 | 53.88           | 5.28           | 51.35 | 51.35           | 5.83           | 48.55      | 48.55           | 6.42           | 45.37 | 45.37           | 7.07           |  |                 |            |  |
|  | 57 (13.9)   | 58.44   | 58.44         | 4.32           | 56.28 | 56.28           | 4.78           | 53.88 | 53.88           | 5.28           | 51.35 | 51.35           | 5.83           | 48.56      | 48.56           | 6.42           | 45.38 | 45.38           | 7.07           |  |                 |            |  |
|  | 72 (22.2)   | 69.36   | 38.09         | 4.57           | 66.19 | 36.98           | 5.01           | 62.79 | 35.79           | 5.50           | 59.18 | 34.55           | 6.04           | 55.24      | 33.21           | 6.62           | 50.79 | 31.71           | 7.24           |  |                 |            |  |
|  | 67 (19.4)   | 64.04   | 48.55         | 4.49           | 61.12 | 47.42           | 4.94           | 57.98 | 46.21           | 5.43           | 54.67 | 44.94           | 5.97           | 51.08      | 43.55           | 6.56           | 47.07 | 41.97           | 7.19           |  |                 |            |  |
| 2250   | 63 (17.2)†† | 60.27   | 47.08         | 4.44           | 57.52 | 45.93           | 4.89           | 54.56 | 44.70           | 5.38           | 51.46 | 42.01           | 5.92           | 48.11      | 42.01           | 6.51           | 44.39 | 40.42           | 7.16           |  |                 |            |  |
|  | 62 (16.7)   | 60.07   | 60.07         | 4.44           | 57.75 | 57.75           | 4.89           | 55.24 | 55.24           | 5.39           | 52.57 | 52.57           | 5.94           | 49.63      | 49.63           | 6.54           | 46.28 | 46.28           | 7.18           |  |                 |            |  |
|  | 57 (13.9)   | 60.07   | 60.07         | 4.44           | 57.75 | 57.75           | 4.89           | 55.25 | 55.25           | 5.39           | 52.58 | 52.58           | 5.94           | 49.64      | 49.64           | 6.54           | 46.28 | 46.28           | 7.18           |  |                 |            |  |

| COOLING INDOOR MODEL | CAPACITY | POWER | FURNACE MODEL | COOLING INDOOR MODEL | CAPACITY | POWER | FURNACE MODEL    | COOLING INDOOR MODEL | CAPACITY | POWER | FURNACE MODEL    | COOLING INDOOR MODEL | CAPACITY | POWER | FURNACE MODEL    |
|----------------------|----------|-------|---------------|----------------------|----------|-------|------------------|----------------------|----------|-------|------------------|----------------------|----------|-------|------------------|
|                      |          |       |               |                      |          |       |                  |                      |          |       |                  |                      |          |       |                  |
| *CAP**6024A**        | 1.00     | 1.00  |               | CSPH*6012A**         | 0.98     | 0.97  | 315(A-J)AV066135 | CAP**6021A**         | 0.97     | 0.99  | 355(A-C)AV060100 | CAP**6021A**         | 0.97     | 0.99  | 355(A-C)AV060100 |
| CAP**6021A**         | 0.98     | 0.98  |               | CAP**6024A**         | 0.98     | 0.97  | 315(A-J)AV066155 | CAP**6024A**         | 0.98     | 0.98  | 355(A-C)AV060120 | CAP**6024A**         | 0.98     | 0.98  | 355(A-C)AV060120 |
| CNPV**6024A**        | 0.99     | 0.99  |               | CNPV**6024A**        | 0.98     | 0.97  | 315(A-J)AV066155 | CNPV**6024A**        | 0.98     | 0.97  | 313*AV048090     | CNPV**6024A**        | 0.97     | 0.97  | 313*AV048090     |
| CSPH*6012A**         | 1.00     | 1.00  |               | CSPH*6012A**         | 0.98     | 0.97  | 315(A-J)AV066155 | CSPH*6012A**         | 0.98     | 0.97  | 313*AV048090     | CSPH*6012A**         | 0.97     | 0.97  | 313*AV048090     |
| FV4BNB006            | 0.99     | 0.97  |               | CAP**6021A**         | 0.98     | 0.98  | 353AAV060100     | CAP**6021A**         | 0.98     | 0.96  | 313*AV060110     | CAP**6021A**         | 0.97     | 0.96  | 313*AV060110     |
| FX4CN(B)060          | 1.01     | 1.01  |               | CNPV**6024A**        | 0.98     | 0.98  | 353AAV060100     | CNPV**6024A**        | 0.98     | 0.98  | 313*AV060110     | CNPV**6024A**        | 0.98     | 0.97  | 313*AV060110     |
| FV4ANB060            | 0.98     | 0.98  |               | CSPH*6012A**         | 0.98     | 0.98  | 353AAV060100     | CSPH*6012A**         | 0.98     | 0.97  | 313*AV060110     | CSPH*6012A**         | 0.98     | 0.97  | 313*AV060110     |
| CAP**6021A**         | 0.97     | 0.97  |               | CAP**6024A**         | 0.98     | 0.98  | 353AAV060120     | CAP**6024A**         | 0.98     | 0.97  | 313*AV060135     | CAP**6024A**         | 0.97     | 0.97  | 313*AV060135     |
| CSPH*6012A**         | 0.98     | 0.98  |               | CNPV**6024A**        | 0.98     | 0.98  | 353AAV060120     | CNPV**6024A**        | 0.98     | 0.97  | 313*AV060135     | CNPV**6024A**        | 0.97     | 0.97  | 313*AV060135     |
| CAP**6024A**         | 0.98     | 0.98  |               | CNPV**6024A**        | 0.98     | 0.98  | 353AAV060120     | CNPV**6024A**        | 0.98     | 0.97  | 313*AV060135     | CNPV**6024A**        | 0.97     | 0.97  | 313*AV060135     |
| CNPV**6024A**        | 0.97     | 0.96  |               | CSPH*6012A**         | 0.98     | 0.98  | 353AAV060120     | CSPH*6012A**         | 0.98     | 0.97  | 313*AV060135     | CSPH*6012A**         | 0.97     | 0.97  | 313*AV060135     |
| CNPV**6024A**        | 0.97     | 0.97  |               | CAP**6021A**         | 0.97     | 1.01  | 355(A-C)AV060080 | CAP**6021A**         | 0.97     | 1.01  | 355(A-C)AV060080 | CAP**6021A**         | 0.97     | 0.97  | 313*AV060135     |

\* Tested combination.  
 † Total and sensible capacities are net capacities. Blower motor heat has been subtracted.  
 ‡ Sensible capacities shown are based on 80°F (27°C) entering air at the indoor coil. For sensible capacities at other than 80°F (27°C), deduct 835 Btuh (245 kW) per 1000 CFM (480 L/S) of indoor coil air for each degree below 80°F (27°C), or add 835 Btuh (245 kW) per 1000 CFM (480 L/S) of indoor coil air per degree above 80°F (27°C).  
 # Detailed cooling capacities are based on indoor and outdoor unit at the same elevation per ARI standard 210/240-94. If additional tubing length and/or indoor unit is located above outdoor unit, a slight variation in capacity may occur.  
 \*\* System kw is total of indoor and outdoor unit kilowatts.  
 †† At TVA rating indoor condition (75°F edb/63°F ewb). All other indoor air temperatures are at 80°F ecb.  
 NOTE: When the required data falls between the published data, interpolation may be performed. Extrapolation is not an acceptable practice.  
 EWB — Entering Wet Bulb  
 NOTE: When the required data fall between the published data, interpolation may be performed. Extrapolation is not an acceptable practice.

# CONDENSER ONLY RATINGS\*

| SST<br>°F (°C)     |     | CONDENSER ENTERING AIR TEMPERATURES °F (°C) |            |            |            |           |             |             |             |
|--------------------|-----|---|------------|------------|------------|-----------|-------------|-------------|-------------|
|                    |     | 55 (12.78)                                  | 65 (18.33) | 75 (23.89) | 85 (29.44) | 95 (35.0) | 105 (40.56) | 115 (46.11) | 125 (51.67) |
| <b>113A*A018-D</b> |     |   |            |            |            |           |             |             |             |
| 30<br>(-1.11)      | TCG | 16.10                                       | 15.20      | 14.20      | 13.30      | 12.30     | 11.30       | 10.20       | 9.10        |
|                    | SDT | 70.80                                       | 80.40      | 89.90      | 99.50      | 109.10    | 118.80      | 128.60      | 138.50      |
|                    | KW  | 0.83  | 0.95       | 1.09       | 1.24       | 1.40      | 1.57        | 1.76        | 1.95        |
| 35<br>(1.67)       | TCG | 17.70                                       | 16.70      | 15.70      | 14.70      | 13.70     | 12.60       | 11.50       | 10.30       |
|                    | SDT | 71.90                                       | 81.40      | 90.90      | 100.40     | 109.90    | 119.60      | 129.40      | 139.10      |
|                    | KW  | 0.83  | 0.95       | 1.09       | 1.24       | 1.40      | 1.58        | 1.77        | 1.97        |
| 40<br>(4.44)       | TCG | 19.50                                       | 18.40      | 17.40      | 16.20      | 15.10     | 14.00       | 12.80       | 11.50       |
|                    | SDT | 73.00                                       | 82.50      | 91.90      | 101.30     | 110.80    | 120.40      | 130.10      | 139.70      |
|                    | KW  | 0.83  | 0.95       | 1.09       | 1.23       | 1.40      | 1.58        | 1.77        | 1.98        |
| 45<br>(7.22)       | TCG | 21.30                                       | 20.20      | 19.00      | 17.90      | 16.70     | 15.40       | 14.20       | 12.80       |
|                    | SDT | 74.20                                       | 83.60      | 93.00      | 102.30     | 111.70    | 121.20      | 130.70      | 140.30      |
|                    | KW  | 0.83  | 0.95       | 1.08       | 1.23       | 1.40      | 1.58        | 1.78        | 1.99        |
| 50<br>(10.0)       | TCG | 23.30                                       | 22.00      | 20.80      | 19.50      | 18.20     | 16.90       | 15.60       | 14.20       |
|                    | SDT | 75.40                                       | 84.80      | 94.10      | 103.40     | 112.60    | 122.00      | 131.40      | 140.90      |
|                    | KW  | 0.82  | 0.95       | 1.08       | 1.23       | 1.40      | 1.58        | 1.78        | 1.99        |
| 55<br>(12.78)      | TCG | 25.20                                       | 23.90      | 22.50      | 21.20      | 19.80     | 18.50       | 17.00       | 15.50       |
|                    | SDT | 76.70                                       | 86.00      | 95.20      | 104.40     | 113.60    | 122.90      | 132.20      | 141.50      |
|                    | KW  | 0.82  | 0.94       | 1.08       | 1.23       | 1.39      | 1.58        | 1.78        | 1.99        |
| <b>113A*A024-D</b> |     |   |            |            |            |           |             |             |             |
| 30<br>(-1.11)      | TCG | 21.30                                       | 20.10      | 18.90      | 17.70      | 16.50     | 15.20       | 14.00       | 12.60       |
|                    | SDT | 73.00                                       | 82.40      | 91.80      | 101.20     | 110.60    | 120.20      | 129.80      | 139.40      |
|                    | KW  | 1.06  | 1.21       | 1.37       | 1.56       | 1.77      | 1.99        | 2.24        | 2.51        |
| 35<br>(1.67)       | TCG | 23.40                                       | 22.10      | 20.90      | 19.60      | 18.20     | 16.90       | 15.50       | 14.10       |
|                    | SDT | 74.40                                       | 83.60      | 93.00      | 102.30     | 111.70    | 121.10      | 130.60      | 140.20      |
|                    | KW  | 1.06  | 1.21       | 1.38       | 1.57       | 1.77      | 2.00        | 2.25        | 2.52        |
| 40<br>(4.44)       | TCG | 25.60                                       | 24.20      | 22.90      | 21.50      | 20.00     | 18.60       | 17.10       | 15.60       |
|                    | SDT | 75.80                                       | 85.00      | 94.20      | 103.50     | 112.70    | 122.10      | 131.50      | 140.90      |
|                    | KW  | 1.07  | 1.22       | 1.39       | 1.58       | 1.78      | 2.01        | 2.26        | 2.53        |
| 45<br>(7.22)       | TCG | 27.90                                       | 26.40      | 24.90      | 23.40      | 21.90     | 20.40       | 18.80       | 17.10       |
|                    | SDT | 77.30                                       | 86.30      | 95.50      | 104.70     | 113.80    | 123.10      | 132.30      | 141.60      |
|                    | KW  | 1.08  | 1.23       | 1.40       | 1.58       | 1.79      | 2.02        | 2.27        | 2.54        |
| 50<br>(10.0)       | TCG | 30.20                                       | 28.60      | 27.00      | 25.40      | 23.70     | 22.10       | 20.40       | 18.60       |
|                    | SDT | 78.80                                       | 87.80      | 96.80      | 105.90     | 114.90    | 124.10      | 133.30      | 142.40      |
|                    | KW  | 1.09  | 1.24       | 1.40       | 1.59       | 1.80      | 2.03        | 2.28        | 2.55        |
| 55<br>(12.78)      | TCG | 32.60                                       | 30.80      | 29.10      | 27.30      | 25.60     | 23.90       | 22.10       | 20.20       |
|                    | SDT | 80.30                                       | 89.20      | 98.20      | 107.10     | 116.10    | 125.20      | 134.20      | 143.10      |
|                    | KW  | 1.09  | 1.25       | 1.41       | 1.60       | 1.81      | 2.03        | 2.28        | 2.55        |
| <b>113A*A030-E</b> |     |   |            |            |            |           |             |             |             |
| 30<br>(-1.11)      | TCG | 25.40                                       | 24.00      | 22.60      | 21.10      | 19.60     | 18.00       | 16.40       | 14.60       |
|                    | SDT | 74.40                                       | 83.60      | 92.90      | 102.10     | 111.40    | 120.80      | 130.20      | 139.60      |
|                    | KW  | 1.35  | 1.52       | 1.70       | 1.91       | 2.13      | 2.37        | 2.63        | 2.89        |
| 35<br>(1.67)       | TCG | 28.00                                       | 26.50      | 24.90      | 23.40      | 21.70     | 20.00       | 18.30       | 16.40       |
|                    | SDT | 75.90                                       | 85.00      | 94.20      | 103.40     | 112.60    | 121.90      | 131.20      | 140.50      |
|                    | KW  | 1.35  | 1.52       | 1.71       | 1.92       | 2.15      | 2.39        | 2.65        | 2.92        |
| 40<br>(4.44)       | TCG | 30.70                                       | 29.10      | 27.40      | 25.70      | 24.00     | 22.20       | 20.30       | 18.40       |
|                    | SDT | 77.40                                       | 86.50      | 95.60      | 104.70     | 113.80    | 123.00      | 132.20      | 141.40      |
|                    | KW  | 1.35  | 1.53       | 1.72       | 1.93       | 2.15      | 2.40        | 2.67        | 2.95        |
| 45<br>(7.22)       | TCG | 33.50                                       | 31.80      | 30.00      | 28.20      | 26.30     | 24.40       | 22.40       | 20.30       |
|                    | SDT | 79.00                                       | 88.00      | 97.00      | 106.10     | 115.10    | 124.20      | 133.30      | 142.30      |
|                    | KW  | 1.36  | 1.53       | 1.72       | 1.93       | 2.16      | 2.42        | 2.69        | 2.97        |
| 50<br>(10.0)       | TCG | 36.50                                       | 34.60      | 32.70      | 30.70      | 28.70     | 26.70       | 24.60       | 22.30       |
|                    | SDT | 80.70                                       | 89.70      | 98.50      | 107.50     | 116.40    | 125.40      | 134.30      | 143.20      |
|                    | KW  | 1.36  | 1.54       | 1.73       | 1.94       | 2.17      | 2.43        | 2.70        | 2.99        |
| 55<br>(12.78)      | TCG | 39.50                                       | 37.40      | 35.30      | 33.20      | 31.10     | 29.00       | 26.70       | 24.30       |
|                    | SDT | 82.40                                       | 91.30      | 100.10     | 108.90     | 117.80    | 126.60      | 135.40      | 144.20      |
|                    | KW  | 1.37  | 1.54       | 1.74       | 1.95       | 2.18      | 2.44        | 2.71        | 3.00        |
| <b>113A*A036-E</b> |     |   |            |            |            |           |             |             |             |
| 30<br>(-1.11)      | TCG | 30.30                                       | 28.80      | 27.20      | 25.50      | 23.80     | 22.00       | 20.00       | 18.00       |
|                    | SDT | 73.20                                       | 82.20      | 91.40      | 100.60     | 109.90    | 119.10      | 128.40      | 137.80      |
|                    | KW  | 1.65  | 1.85       | 2.07       | 2.30       | 2.57      | 2.88        | 3.25        | 3.68        |
| 35<br>(1.67)       | TCG | 33.50                                       | 31.80      | 30.10      | 28.30      | 26.40     | 24.40       | 22.30       | 20.10       |
|                    | SDT | 74.80                                       | 83.80      | 92.80      | 102.00     | 111.10    | 120.30      | 129.50      | 138.70      |
|                    | KW  | 1.66  | 1.87       | 2.08       | 2.32       | 2.59      | 2.90        | 3.26        | 3.69        |
| 40<br>(4.44)       | TCG | 37.00                                       | 35.10      | 33.20      | 31.20      | 29.20     | 27.00       | 24.80       | 22.40       |
|                    | SDT | 76.60                                       | 85.40      | 94.40      | 103.40     | 112.40    | 121.50      | 130.60      | 139.70      |
|                    | KW  | 1.68  | 1.89       | 2.10       | 2.34       | 2.61      | 2.92        | 3.28        | 3.70        |
| 45<br>(7.22)       | TCG | 40.70                                       | 38.60      | 36.50      | 34.30      | 32.10     | 29.80       | 27.40       | 24.80       |
|                    | SDT | 78.50                                       | 87.20      | 96.00      | 104.90     | 113.80    | 122.80      | 131.80      | 140.80      |
|                    | KW  | 1.70  | 1.91       | 2.13       | 2.37       | 2.63      | 2.94        | 3.30        | 3.72        |
| 50<br>(10.0)       | TCG | 44.60                                       | 42.30      | 40.00      | 37.70      | 35.30     | 32.80       | 30.20       | 27.40       |
|                    | SDT | 80.50                                       | 89.10      | 97.80      | 106.50     | 115.30    | 124.20      | 133.00      | 141.90      |
|                    | KW  | 1.73  | 1.94       | 2.16       | 2.40       | 2.66      | 2.97        | 3.32        | 3.73        |
| 55<br>(12.78)      | TCG | 48.80                                       | 46.30      | 43.80      | 41.30      | 38.70     | 36.00       | 33.20       | 30.20       |
|                    | SDT | 82.60                                       | 91.10      | 99.60      | 108.20     | 116.90    | 125.60      | 134.30      | 143.00      |
|                    | KW  | 1.77  | 1.97       | 2.19       | 2.43       | 2.70      | 3.00        | 3.35        | 3.76        |

113A

See notes on page 36

# CONDENSER ONLY RATINGS\* CONTINUED

| SST<br>°F (°C)     |     | CONDENSER ENTERING AIR TEMPERATURES °F (°C) |            |            |            |           |             |             |             |
|--------------------|-----|---|------------|------------|------------|-----------|-------------|-------------|-------------|
|                    |     | 55 (12.78)                                  | 65 (18.33) | 75 (23.89) | 85 (29.44) | 95 (35.0) | 105 (40.56) | 115 (46.11) | 125 (51.67) |
| <b>113A*A042-C</b> |     |   |            |            |            |           |             |             |             |
| 30<br>(-1.11)      | TCG | 38.00                                       | 36.00      | 33.90      | 31.90      | 29.70     | 27.60       | 25.30       | 22.90       |
|                    | SDT | 73.20                                       | 82.30      | 91.40      | 100.60     | 109.80    | 119.10      | 128.40      | 137.70      |
|                    | KW  | 1.95  | 2.20       | 2.48       | 2.80       | 3.14      | 3.53        | 3.95        | 4.41        |
| 35<br>(1.67)       | TCG | 41.90                                       | 39.70      | 37.40      | 35.10      | 32.80     | 30.50       | 28.00       | 25.50       |
|                    | SDT | 74.80                                       | 83.70      | 92.80      | 101.90     | 111.00    | 120.20      | 129.40      | 138.60      |
|                    | KW  | 1.97  | 2.22       | 2.50       | 2.81       | 3.16      | 3.54        | 3.97        | 4.43        |
| 40<br>(4.44)       | TCG | 46.00                                       | 43.60      | 41.10      | 38.70      | 36.20     | 33.60       | 30.90       | 28.10       |
|                    | SDT | 76.40                                       | 85.20      | 94.20      | 103.20     | 112.20    | 121.30      | 130.40      | 139.50      |
|                    | KW  | 1.98  | 2.23       | 2.52       | 2.83       | 3.18      | 3.56        | 3.98        | 4.44        |
| 45<br>(7.22)       | TCG | 50.30                                       | 47.70      | 45.10      | 42.40      | 39.60     | 36.80       | 33.90       | 30.90       |
|                    | SDT | 78.10                                       | 86.90      | 95.70      | 104.60     | 113.50    | 122.50      | 131.40      | 140.40      |
|                    | KW  | 2.01  | 2.26       | 2.54       | 2.85       | 3.19      | 3.58        | 4.00        | 4.45        |
| 50<br>(10.0)       | TCG | 54.90                                       | 52.10      | 49.20      | 46.20      | 43.20     | 40.20       | 37.00       | 33.60       |
|                    | SDT | 80.00                                       | 88.60      | 97.20      | 106.00     | 114.80    | 123.70      | 132.50      | 141.30      |
|                    | KW  | 2.03  | 2.28       | 2.56       | 2.87       | 3.21      | 3.60        | 4.01        | 4.47        |
| 55<br>(12.78)      | TCG | 59.70                                       | 56.60      | 53.40      | 50.20      | 46.90     | 43.50       | 40.10       | 36.40       |
|                    | SDT | 81.90                                       | 90.30      | 98.90      | 107.50     | 116.20    | 124.90      | 133.60      | 142.20      |
|                    | KW  | 2.06  | 2.30       | 2.58       | 2.89       | 3.23      | 3.62        | 4.03        | 4.48        |
| <b>113A*A048-E</b> |     |   |            |            |            |           |             |             |             |
| 30<br>(-1.11)      | TCG | 41.10                                       | 38.90      | 36.70      | 34.40      | 32.10     | 29.70       | 27.20       | 24.50       |
|                    | SDT | 73.80                                       | 83.00      | 92.30      | 101.60     | 111.00    | 120.40      | 129.70      | 139.10      |
|                    | KW  | 2.19  | 2.46       | 2.76       | 3.10       | 3.47      | 3.87        | 4.30        | 4.76        |
| 35<br>(1.67)       | TCG | 45.20                                       | 42.80      | 40.50      | 38.00      | 35.50     | 32.90       | 30.20       | 27.40       |
|                    | SDT | 75.30                                       | 84.40      | 93.70      | 102.90     | 112.20    | 121.50      | 130.80      | 140.00      |
|                    | KW  | 2.22  | 2.49       | 2.79       | 3.13       | 3.50      | 3.90        | 4.34        | 4.81        |
| 40<br>(4.44)       | TCG | 49.60                                       | 47.10      | 44.50      | 41.90      | 39.20     | 36.40       | 33.50       | 30.40       |
|                    | SDT | 76.90                                       | 86.00      | 95.10      | 104.30     | 113.40    | 122.60      | 131.80      | 141.00      |
|                    | KW  | 2.24  | 2.51       | 2.82       | 3.15       | 3.53      | 3.93        | 4.38        | 4.85        |
| 45<br>(7.22)       | TCG | 54.30                                       | 51.60      | 48.80      | 46.00      | 43.10     | 40.10       | 36.90       | 33.60       |
|                    | SDT | 78.50                                       | 87.50      | 96.60      | 105.70     | 114.70    | 123.80      | 132.90      | 142.00      |
|                    | KW  | 2.27  | 2.54       | 2.85       | 3.19       | 3.56      | 3.97        | 4.41        | 4.89        |
| 50<br>(10.0)       | TCG | 59.30                                       | 56.40      | 53.40      | 50.30      | 47.10     | 43.90       | 40.50       | 36.90       |
|                    | SDT | 80.20                                       | 89.20      | 98.10      | 107.10     | 116.10    | 125.10      | 134.10      | 143.00      |
|                    | KW  | 2.30  | 2.58       | 2.88       | 3.22       | 3.59      | 4.00        | 4.45        | 4.92        |
| 55<br>(12.78)      | TCG | 64.60                                       | 61.40      | 58.10      | 54.80      | 51.40     | 47.90       | 44.20       | 40.30       |
|                    | SDT | 82.10                                       | 91.00      | 99.80      | 108.70     | 117.50    | 126.40      | 135.20      | 144.00      |
|                    | KW  | 2.34  | 2.61       | 2.92       | 3.25       | 3.63      | 4.04        | 4.48        | 4.96        |
| <b>113A*A060-F</b> |     |   |            |            |            |           |             |             |             |
| 30<br>(-1.11)      | TCG | 57.30                                       | 54.20      | 51.10      | 47.90      | 44.60     | 41.30       | 37.80       | 34.10       |
|                    | SDT | 77.40                                       | 86.30      | 95.20      | 104.30     | 113.30    | 122.30      | 131.30      | 140.30      |
|                    | KW  | 2.71  | 3.05       | 3.43       | 3.86       | 4.33      | 4.84        | 5.40        | 5.99        |
| 35<br>(1.67)       | TCG | 62.90                                       | 59.50      | 56.10      | 52.60      | 49.00     | 45.40       | 41.60       | 37.50       |
|                    | SDT | 79.30                                       | 88.00      | 96.90      | 105.80     | 114.70    | 123.70      | 132.60      | 141.40      |
|                    | KW  | 2.76  | 3.11       | 3.49       | 3.92       | 4.39      | 4.90        | 5.46        | 6.06        |
| 40<br>(4.44)       | TCG | 68.70                                       | 65.00      | 61.30      | 57.50      | 53.60     | 49.60       | 45.50       | 41.00       |
|                    | SDT | 81.30                                       | 89.90      | 98.70      | 107.50     | 116.20    | 125.00      | 133.80      | 142.50      |
|                    | KW  | 2.83  | 3.17       | 3.56       | 3.98       | 4.45      | 4.96        | 5.52        | 6.12        |
| 45<br>(7.22)       | TCG | 74.80                                       | 70.80      | 66.70      | 62.60      | 58.30     | 54.00       | 49.40       | 44.60       |
|                    | SDT | 83.40                                       | 91.90      | 100.50     | 109.20     | 117.80    | 126.50      | 135.10      | 143.60      |
|                    | KW  | 2.90  | 3.24       | 3.62       | 4.05       | 4.52      | 5.03        | 5.58        | 6.18        |
| 50<br>(10.0)       | TCG | 81.20                                       | 76.80      | 72.30      | 67.80      | 63.10     | 58.40       | 53.40       | 48.10       |
|                    | SDT | 85.60                                       | 94.00      | 102.50     | 111.00     | 119.50    | 128.00      | 136.40      | 144.70      |
|                    | KW  | 2.97  | 3.32       | 3.70       | 4.12       | 4.59      | 5.10        | 5.65        | 6.24        |
| 55<br>(12.78)      | TCG | 87.80                                       | 83.00      | 78.10      | 73.10      | 68.10     | 62.90       | 57.50       | 51.70       |
|                    | SDT | 88.00                                       | 96.20      | 104.40     | 112.80     | 121.10    | 129.50      | 137.70      | 145.80      |
|                    | KW  | 3.05  | 3.40       | 3.78       | 4.20       | 4.66      | 5.17        | 5.72        | 6.30        |

\* ARI listing applies only to systems shown in Combination Ratings table.

**KW** - Outdoor Unit Kilowatts Only.

**SDT** - Saturated Temperature Leaving Compressor (°F/°C)

**SST** - Saturated Temperature Entering Compressor (°F/°C)

**TCG** - Gross Cooling Capacity (1000 Btuh)

113A

# GUIDE SPECIFICATIONS

## GENERAL

### System Description

Outdoor-mounted, air-cooled, split-system air conditioner unit suitable for ground or rooftop installation. Unit consists of a hermetic compressor, an air-cooled coil, propeller-type condenser fan, and a control box. Unit will discharge supply air upward as shown on contract drawings. Unit will be used in a refrigeration circuit to match up to a packaged fan coil or coil unit.

### Quality Assurance

- Unit will be rated in accordance with the latest edition of ARI Standard 210.
- Unit will be certified for capacity and efficiency, and listed in the latest ARI directory.
- Unit construction will comply with latest edition of ANSI/ASHRAE and with NEC.
- Unit will be constructed in accordance with UL standards and will carry the UL label of approval. Unit will have c-UL-us approval.
- Unit cabinet will be capable of withstanding Federal Test Method Standard No. 141 (Method 6061) 500-hr salt spray test.
- Air-cooled condenser coils will be leak tested at 150 psig and pressure tested at 450 psig.
- Unit constructed in ISO9001 approved facility.

### Delivery, Storage, and Handling

- Unit will be shipped as single package only and is stored and handled per unit manufacturer's recommendations.

### Warranty (for inclusion by specifying engineer)

- U.S. and Canada only.

## PRODUCTS

### Equipment

Factory assembled, single piece, air-cooled air conditioner unit. Contained within the unit enclosure is all factory wiring, piping, controls, compressor, refrigerant charge Puron® (R-410A), and special features required prior to field start-up.

#### Unit Cabinet

- Unit cabinet will be constructed of galvanized steel, bonderized, and coated with a powder coat paint.

## AIR-COOLED, SPLIT-SYSTEM AIR CONDITIONER

113A

1-1/2 TO 5 NOMINAL TONS

### Fans

- Condenser fan will be direct-drive propeller type, discharging air upward.
- Condenser fan motors will be totally enclosed, 1-phase type with class B insulation and permanently lubricated bearings. Shafts will be corrosion resistant.
- Fan blades will be statically and dynamically balanced.
- Condenser fan openings will be equipped with coated steel wire safety guards.

### Compressor

- Compressor will be hermetically sealed.
- Compressor will be mounted on rubber vibration isolators.

### Condenser Coil

- Condenser coil will be air cooled.
- Coil will be constructed of aluminum fins mechanically bonded to copper tubes which are then cleaned, dehydrated, and sealed.

### Refrigeration Components

- Refrigeration circuit components will include liquid-line shutoff valve with sweat connections, vapor-line shutoff valve with sweat connections, system charge of Puron® (R-410A) refrigerant, and compressor oil.
- Unit will be equipped with high-pressure switch, low pressure switch and filter drier for Puron refrigerant.

### Operating Characteristics

- The capacity of the unit will meet or exceed \_\_\_\_\_ Btuh at a suction temperature of \_\_\_\_\_ °F/°C. The power consumption at full load will not exceed \_\_\_\_\_ kW.
- Combination of the unit and the evaporator or fan coil unit will have a total net cooling capacity of \_\_\_\_\_ Btuh or greater at conditions of \_\_\_\_\_ CFM entering air temperature at the evaporator at \_\_\_\_\_ °F/°C wet bulb and \_\_\_\_\_ °F/°C dry bulb, and air entering the unit at \_\_\_\_\_ °F/°C.
- The system will have a SEER of \_\_\_\_\_ Btuh/watt or greater at DOE conditions.

### Electrical Requirements

- Nominal unit electrical characteristics will be \_\_\_\_\_ v, single phase, 60 hz. The unit will be capable of satisfactory operation within voltage limits of \_\_\_\_\_ v to \_\_\_\_\_ v.
- Unit electrical power will be single point connection.
- Control circuit will be 24v.

### Special Features

- Refer to section of this literature identifying accessories and descriptions for specific features and available enhancements.



## Free Manuals Download Website

<http://myh66.com>

<http://usermanuals.us>

<http://www.somanuals.com>

<http://www.4manuals.cc>

<http://www.manual-lib.com>

<http://www.404manual.com>

<http://www.luxmanual.com>

<http://aubethermostatmanual.com>

Golf course search by state

<http://golfingnear.com>

Email search by domain

<http://emailbydomain.com>

Auto manuals search

<http://auto.somanuals.com>

TV manuals search

<http://tv.somanuals.com>