

Brookstone®

i-need®

Soothing Foot Massager

ROLLING SHIATSU MASSAGE WITH KNEADING AIR PRESSURE



TABLE OF CONTENTS

Warnings and Cautions	2-6
Location of Parts and Controls	7-8
Operation	9-10
Product Care and Storage	10
Specifications	11
Troubleshooting	12
Warranty	13-14

CAUTION

- TO REDUCE THE RISK OF ELECTRIC SHOCK, DO NOT REMOVE COVER. THERE ARE NO SERVICEABLE PARTS INSIDE.
- TO REDUCE THE RISK OF FIRE OR ELECTRIC SHOCK, DO NOT EXPOSE THIS UNIT TO RAIN OR MOISTURE.



The lightning flash with arrow-head symbol within an equilateral triangle is intended to alert the user to the presence of uninsulated “dangerous voltage” within the unit’s enclosure that may be of sufficient magnitude to constitute a risk of electric shock.



The exclamation point within an equilateral triangle is intended to alert the user to the presence of important operating and maintenance (servicing) instructions in the literature accompanying the unit.

IMPORTANT SAFETY INSTRUCTIONS

All the safety and operating instructions should be read, adhered to and followed before the unit is operated.

SAVE THESE INSTRUCTIONS

DANGER

To reduce the risk of electric shock, burns, fire or injury:

1. Do not use while bathing or in a shower.
2. Do not place or store unit where it can fall or be pulled into a tub or sink.
3. Do not place in, drop or submerge in water or other liquid.
4. Do not reach for unit that has fallen into water. Unplug it immediately.
5. Care should be taken so that objects do not fall and liquids are not spilled onto the unit.

WARNING

1. Close supervision is necessary when this appliance/product is used by or near children or mentally disabled individuals.
2. Use this unit only for its intended use as described in this manual.
3. Unplug this unit during lightning storms or when unused for long periods of time.
4. Never drop or insert an object into any opening of this device.
5. Protect the power cord from being walked on or pinched, particularly at plug outlets, convenience receptacles and the point where it exits the unit.
6. Do not allow cord to touch hot surfaces. Wrap cord loosely around the unit when storing.
7. DO NOT stand up in unit.

8. The unit should be situated away from direct sunlight or heat sources such as radiators, electric heaters, heat registers, stoves, or other units (including amplifiers) that produce heat. Avoid placing on top of stereo equipment that radiates heat.
9. Never block the air openings of the unit with materials such as clothing, plastic bags or papers, or place it on a soft surface such as a bed or couch, where the air openings may be blocked.
10. Do not overload electrical outlet. Use your power source as instructed.
11. Do not carry this unit by cord or use cord as handle.
12. Never operate this unit if it has a damaged cord or plug, if it is not working properly, or if it has been dropped or damaged, or dropped into water. If the unit's power supply cord or plug is damaged, do not attempt to fix it yourself.
13. To avoid the risk of electric shock, do not disassemble or attempt to repair the unit. Incorrect repair can cause risk of electric shock or injury to persons when unit is used.
14. Do not operate in the presence of explosive and/or flammable fumes.
15. Never remove the plug from the socket by pulling the power cord.
16. Do not operate under a blanket or pillow. Excessive heating can occur and cause fire, electric shock, or injury.
17. Use the massager only for its intended use as described in this instruction manual. Do not use attachments not recommended.
18. Do not use outdoors.

19. Do not operate where aerosol spray products are being used or where oxygen is being administered.
20. Do not use in an excessively humid environment such as the bathroom.
21. Do not use on a wet body. This may result in a short circuit or cause electric shock.
22. Do not use if the fabric covers are torn or if parts are missing.
23. Do not stand or sit on the massager.
24. Do not exert pressure when using the massager. This may result in injury.
25. Do not unplug or turn off the unit during use.
26. Do not sleep while using the massager.
27. The suggested usage time is 15 minutes.
28. Turn the unit off and unplug it immediately if:
 - liquid is spilled on it.
 - you feel severe or abnormal pain.
 - you detect any malfunction or any other abnormal condition.
 - there is a power failure or lightning.
29. Do not use the massager if the electrical outlet is excessively loose.
30. You may experience itching on your feet during and after the massage. This is normal and is a result of improved blood circulation.
31. Any individual who is pregnant, has a pacemaker, suffers from diabetes, phlebitis, and/or thrombosis, is at an increased risk of developing blood clots due to recent surgery, or who has pins/screws or anything mechanical in their ankles or feet, should consult his/her physician before using a massaging device designed for home use.

IMPORTANT

This product has a polarized plug (one blade is wider than the other). As a safety feature, this plug will fit in a polarized outlet only one way. If the plug does not fit fully in the outlet, reverse the plug. If it still does not fit, contact a qualified electrician. Do not attempt to bypass this safety feature.

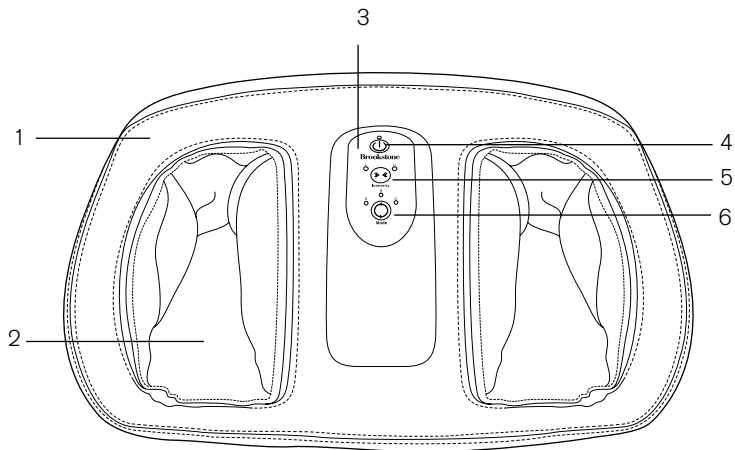
CAUTION

Consult your physician before use if you:

- Have a serious medical condition such as osteoporosis, skin diseases, heart disease, etc.
- Have an electronic medical device in your body, such as a pacemaker.
- May be pregnant.
- Are receiving medical care or are feeling unwell.
- Wish to use the unit on parts of the body which have previously been treated due to injury or sickness, or have eczema.
- Are experiencing undue pain on any part of your body.
- Have joint dysfunction such as rheumatism, hammer toe and gout.

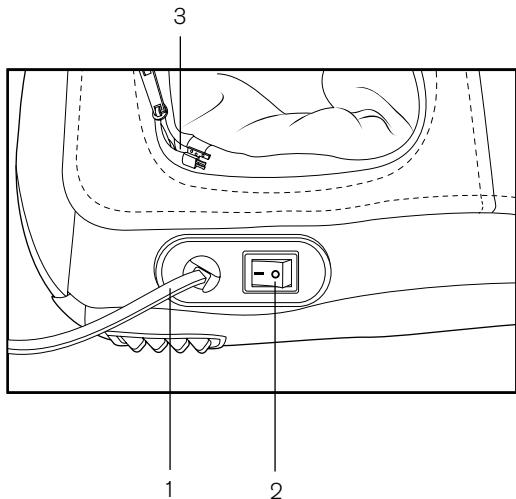
LOCATION OF PARTS AND CONTROLS

1. Main Unit
2. Foot Bed
3. Control Panel
4. Power Button
5. Intensity Button
6. Mode Button



LOCATION OF PARTS AND CONTROLS

1. Power Cord
2. Main Power Switch
3. Foot Bed Liner Zipper



OPERATION

1. Plug the unit into a properly grounded wall outlet.
2. Press the MAIN POWER SWITCH on the back of the unit to ON.
3. Place your feet in the FOOT BEDS.
4. Press the POWER BUTTON on the CONTROL PANEL.
5. Press the INTENSITY BUTTON to control the intensity of the massage.
You have 2 Air Pressure Intensities to choose from:
 - Mild (L)
 - Strong (H)
6. Press the MODE BUTTON to change massage modes.
You have 3 Massage Modes to choose from:
 - Mode A: 1 second roller action cycle with air pressure massage.
 - Mode B: 4 second roller action cycle with air pressure massage.
 - Mode C: Continuous, varied speed roller massage with air pressure.
7. A 15-minute massage is recommended. The unit will automatically turn off if it's run for more than 20 minutes continuously.

Note: The massage may tickle, which is normal and a sign of blood circulation improvement.
8. To turn the unit off, press the POWER BUTTON on the CONTROL PANEL.
If not being used for an extended period of time, press the MAIN POWER SWITCH on the back of the unit.

IMPORTANT: Do not sit on the unit or press hard against the foot beds, as this may cause the motor to labor and overheat, causing a fire or injury to the user.

9. The appliance is intended for household and indoor use.
10. To reduce the risk of electric shock, this appliance has a polarized plug (one blade is wider than the other). This plug will fit into a polarized outlet only one way. If the plug does not fit fully in the outlet, reverse the plug. If it still does not fit, contact a qualified electrician to install the proper outlet. Do not change the plug in any way.

PRODUCT CARE AND STORAGE

- Turn off and unplug the unit before cleaning.
- Do not use volatile liquids such as benzene, thinner or gasoline for cleaning.
- Clean the main unit with a damp cloth or a neutral cleanser and then wipe with a dry cloth.
- Remove the FOOT BED liners from the unit and spot clean with a damp cloth. **IMPORTANT:** Allow FOOT BED liners to dry completely before reattaching to the main unit.
- FOOT BED liners are NOT machine washable.
- If you don't use the unit for a long time, we recommend that you roll up the electric cord and keep the unit away from environments where it's humid and dusty.
- Do not expose the unit to heaters, fires, and direct sunlight.

SPECIFICATIONS

Voltage:..... AC 120/60Hz

Power Consumption:..... 0.6A

Automatic Timer:..... 20 minutes

Length of the Power Cord:..... 5' 9"

Model Number: BR-7100A

SKU Number: 634915

TROUBLESHOOTING GUIDE

ISSUE

POSSIBLE CAUSE/RESOLUTION

Motor sounds occur during operation.

These sounds are normal and not a machine malfunction.

The unit stops during operation.

The 20-minute auto shutoff is engaged.

The thermal resetting protection device is engaged. This is an added safety feature to protect the unit from overheating. If the unit stops and fails to restart as a result of overheating, turn the main power off and do not operate the unit for at least 30 minutes. Failure to turn off the unit may cause it to resume operation unexpectedly when the device is cooled.

The Main Power Switch or the Power Button on the Control Panel was pressed accidentally.

The unit does not start.

Determine if the AC power has been turned off.

Ensure the Power Cord is connected to the electrical outlet.

ONE (1) YEAR LIMITED WARRANTY

Brookstone® warrants this product against defects in materials and/or workmanship under normal use for a period of ONE (1) YEAR from the date of purchase by the original purchaser ("Warranty Period"). If a defect arises and a valid claim is received within the Warranty Period, at its option, Brookstone will either 1) repair the defect at no charge, using new or refurbished replacement parts, or 2) replace the product with a new product that is at least functionally equivalent to the original product, or 3) provide a store credit in the amount of the purchase price of the original product. A replacement product or part, including a user-installable part installed in accordance with instructions provided by Brookstone, assumes the remaining warranty of the original product. When a product or part is exchanged, any replacement item becomes your property and the replaced item becomes Brookstone's property. When a store credit is given, the original product must be returned to Brookstone and becomes Brookstone's property.

Obtaining Service: To obtain warranty service, call Brookstone Limited Warranty Service at 1-800-292-9819. Please be prepared to describe the product that needs service and the nature of the problem. A purchase receipt is required. All repairs and replacements must be authorized in advance. Service options, parts availability and response times will vary. You are responsible for delivery and the cost of delivery of the product or any parts to the authorized service center for replacement, per our instructions.

Limits and Exclusions: Coverage under this Limited Warranty is limited to the United States of America, including the District of Columbia and the U.S. Territories of Guam, Puerto Rico, and the U.S. Virgin Islands. This Limited Warranty applies only to products manufactured for Brookstone that can be identified by the "Brookstone" trademark, trade name, or logo affixed to them or their packaging. The Limited Warranty does not apply to any non-Brookstone products. Manufacturers or suppliers other than Brookstone may provide their own warranties to the purchaser,

but Brookstone, in so far as permitted by law, provides these products "as is." This warranty does not apply to: a) damage caused by failure to follow instructions relating to product's use or the installation of components; b) damage caused by accident, abuse, misuse, fire, floods, earthquake or other external causes; c) damage caused by service performed by anyone who is not a representative of Brookstone; d) accessories used in conjunction with a covered product; e) a product or part that has been modified to alter functionality or capability; f) items intended to be periodically replaced by the purchaser during the normal life of the product including, without limitation, batteries or light bulbs; g) any product sold "as is" including, without limitation, floor demonstration models and refurbished items; or h) a product that is used commercially or for a commercial purpose.

BROOKSTONE SHALL NOT BE LIABLE FOR INCIDENTAL OR CONSEQUENTIAL DAMAGES RESULTING FROM THE USE OF THIS PRODUCT, OR ARISING OUT OF ANY BREACH OF THIS WARRANTY. TO THE EXTENT PERMITTED BY APPLICABLE LAW, BROOKSTONE DISCLAIMS ANY AND ALL STATUTORY OR IMPLIED WARRANTIES, INCLUDING, WITHOUT LIMITATION, WARRANTIES OF MERCHANTABILITY, FITNESS FOR A PARTICULAR PURPOSE AND WARRANTIES AGAINST HIDDEN OR LATENT DEFECTS. IF BROOKSTONE CANNOT LAWFULLY DISCLAIM STATUTORY OR IMPLIED WARRANTIES, THEN TO THE EXTENT PERMITTED BY LAW, ALL SUCH WARRANTIES SHALL BE LIMITED IN DURATION TO THE DURATION OF THIS EXPRESS WARRANTY.

Some states disallow the exclusion or limitation of incidental or consequential damages or how long an implied warranty lasts, so the above exclusions or limitations may not apply to you. This warranty gives you specific legal rights and you may also have other rights, which vary from state to state.

Brookstone®

A WORLD OF INNOVATION

Since 1965, people have come to Brookstone to see what's new, discover smart solutions to everyday problems—and have some fun. At Brookstone, we believe there's always a better way to do things. And we created a world of innovation to prove it.

Merrimack, New Hampshire USA 03054 • 800-846-3000 • www.Brookstone.com

Download from Www.Somanuals.com. All Manuals Search And Download. 634915

Free Manuals Download Website

<http://myh66.com>

<http://usermanuals.us>

<http://www.somanuals.com>

<http://www.4manuals.cc>

<http://www.manual-lib.com>

<http://www.404manual.com>

<http://www.luxmanual.com>

<http://aubethermostatmanual.com>

Golf course search by state

<http://golfingnear.com>

Email search by domain

<http://emailbydomain.com>

Auto manuals search

<http://auto.somanuals.com>

TV manuals search

<http://tv.somanuals.com>