

Brookstone®

Germ-Free Humidifier

UV SANITIZING. PURIFIED WARM MIST.



Model Number BWM-211D

Download from [Www.Somanuals.com](http://www.Somanuals.com). All Manuals Search And Download.

TABLE OF CONTENTS

Warnings and Cautions	2-6
Location of Controls	7-8
Operation	9-10
Filling the Water Tank	11
Using Medication Cup and Grille	11-12
Mineral Absorption Pad	12
Cleaning and Maintenance	13-14
Replacing UV Bulb	15-17
Storage Tips	17
Specifications	18
Troubleshooting	19-20
Warranty	21-22

CAUTION

- TO REDUCE THE RISK OF ELECTRIC SHOCK, DO NOT REMOVE COVER. THERE ARE NO SERVICEABLE PARTS INSIDE.
- TO REDUCE THE RISK OF FIRE OR ELECTRIC SHOCK, DO NOT EXPOSE THIS UNIT TO RAIN OR MOISTURE.



The lightning flash with arrow-head symbol within an equilateral triangle is intended to alert the user to the presence of uninsulated "dangerous voltage" within the unit's enclosure that may be of sufficient magnitude to constitute a risk of electric shock.



The exclamation point within an equilateral triangle is intended to alert the user to the presence of important operating and maintenance (servicing) instructions in the literature accompanying the unit.

IMPORTANT SAFETY INSTRUCTIONS

All the safety and operating instructions should be read, adhered to and followed before the unit is operated.

SAVE THESE INSTRUCTIONS

DANGER

To reduce the risk of electric shock, burns, fire or injury:

1. Do not use while bathing or in a shower.
2. Do not place or store unit where it can fall or be pulled into a tub or sink.
3. Do not place in, drop or submerge in water or other liquid.
4. Do not reach for unit that has fallen into water. Unplug it immediately.
5. Care should be taken so that objects do not fall and liquids are not spilled onto the unit.

WARNING

1. Close supervision is necessary when this appliance/product is used by or near children or mentally disabled individuals.
2. Use this unit only for its intended use as described in this manual.
3. Unplug this unit during lightning storms or when unused for long periods of time.
4. Never drop or insert an object into any opening.
5. Protect the power cord from being walked on or pinched, particularly at plug outlets, convenience receptacles and the point where it exits the unit.
6. Do not allow cord to touch hot surfaces. Wrap cord loosely around the unit when storing.
7. The unit should be situated away from direct sunlight or heat sources such as radiators, electric heaters, heat registers, stoves, or other units (including amplifiers) that produce heat. Avoid placing on top of stereo equipment that radiates heat.

8. Never block the air openings of the unit with materials such as clothing, plastic bags or papers, or place it on a soft surface such as a bed or couch, where the air openings may be blocked.
9. Do not overload electrical outlet. Use only the power source as indicated.
10. Do not carry this unit by cord or use cord as handle.
11. Never operate this unit if it has a damaged cord or plug, if it is not working properly, or if it has been dropped or damaged, or dropped into water. If the unit's power supply cord or plug is damaged, do not attempt to fix it yourself.
12. To avoid the risk of electric shock, do not disassemble or attempt to repair the unit. Incorrect repair can cause risk of electric shock or injury to persons when unit is used.
13. Do not operate in the presence of explosive and/or flammable fumes.
14. Never remove the plug from the socket by pulling the power cord.
15. DO NOT attempt to repair this humidifier yourself. For repairs covered under warranty call Brookstone® Customer Service at 1-800-846-3000.

IMPORTANT SAFEGUARDS

CAUTION: BECAUSE HIGH TEMPERATURES ARE GENERATED IN THIS HUMIDIFIER, BASIC SAFETY PRECAUTIONS SHOULD ALWAYS BE FOLLOWED, ESPECIALLY WHEN CHILDREN ARE PRESENT.

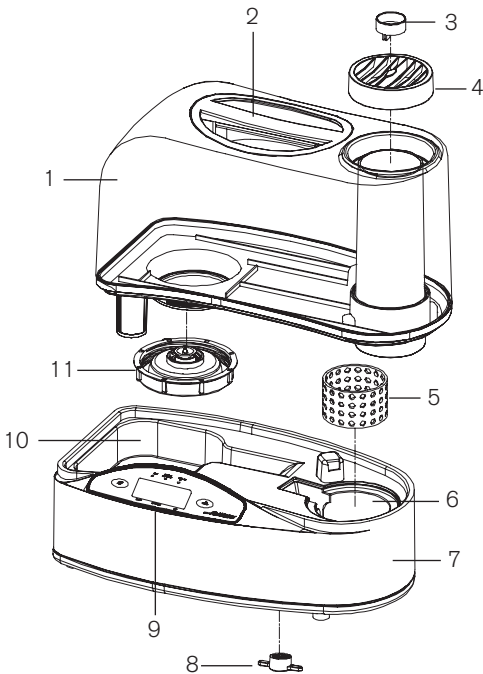
When using electrical appliances, these basic safety precautions must be followed:

1. DO NOT operate the humidifier without the water tank.
2. ALWAYS use clean, cool tap water to fill the water tank.
3. To avoid risk of fire or shock, DO NOT use an extension cord.
4. DO NOT handle the unit with wet hands.
5. NEVER tilt, move, or attempt to empty the unit while it is operating or plugged in. Shut off, unplug and remove water tank before moving unit.
6. DO NOT place the unit close to heated areas, such as near stoves, heaters or in direct sunlight.
7. DO NOT operate OUTDOORS. This humidifier is intended for indoor use only.
8. DO NOT let water get into the air inlets on the bottom of the enclosure or on the cord or plug.
9. DO NOT store or use gasoline or other flammable vapors and liquids near the humidifier.
10. ALWAYS make sure the water tank cap and gasket are firmly in place.
11. DO NOT touch hot surfaces.
12. ALWAYS turn the humidifier off when the water tank is empty or when the unit is not in use. If you turn your unit off for extended periods, ALWAYS disconnect the power cord and empty the water tank and base.

13. ALWAYS place the unit on a firm, flat, level, water-resistant surface and arrange the power cord so that the product is unlikely to be upset.
14. DO NOT clean the product or service the UV bulb without disconnecting the power cord.
15. Before connecting to electric power outlet, check your electrical power supply. It must be 120 volts AC (alternating current). The outlet may be 15 amp or 20 amp. The circuit must be of adequate size and must be protected by fuse or circuit breaker.
16. This item has a polarized plug. As a safety feature, this plug will fit in a polarized electrical receptacle (outlet) only one way. If the plug does not fit fully in the outlet, reverse the plug. If it still does not fit, contact a qualified electrician.
17. DO NOT attempt to remove MIST OUTLET during operation, or within 15 minutes after the humidifier is turned to the "OFF" position and unplugged. Serious injury may result. DO NOT place hands or face directly over MIST OUTLET while unit is in operation.
18. Place unit in an area where it is not accessible to children.
19. Before using the unit, check the power cord for any signs of damage.
20. DO NOT allow the MIST OUTLET to face directly at a wall surface.
Direct mist aimed at wall could cause damage, particularly to wallpaper.
21. This humidifier requires daily and weekly maintenance.
22. Refer to CLEANING AND MAINTENANCE instructions provided.
23. NEVER clean humidifier in any other manner than as instructed by this manual.
24. WARNING—Eye damage may result from directly viewing the light produced by UV Bulb. DO NOT energize unit while Lamp Door is removed.

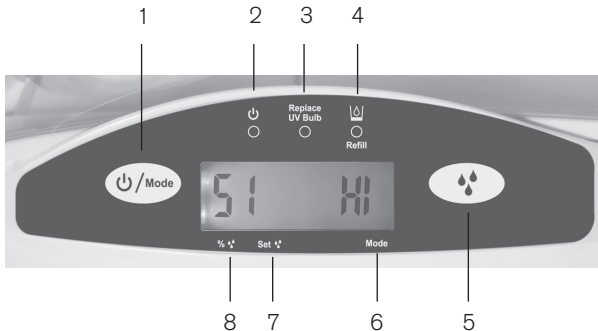
LOCATION OF PARTS AND CONTROLS

1. Water Tank
2. Tank Handle
3. Medication Cup
4. Mist Outlet Grille
5. Mineral Absorption Pad
6. Hot Water Reservoir
7. Base
8. Base Drain Cap & Gasket
9. Digital Control Panel
10. Cold Water Reservoir
11. Tank Cap with Gasket



DIGITAL CONTROL PANEL

1. Power/Mode Button
2. Power Indicator Light
3. Replace UV Bulb Indicator Light
4. Refill Tank Indicator Light
5. Humidity Level Button
6. Mode Screen Indicator
7. Set Humidity Screen Indicator
8. Percent Humidity Screen Indicator



OPERATING INSTRUCTIONS

Carefully unpack humidifier and remove all packing material.

NOTE: When you unpack your humidifier, you may find it has droplets of water on some surfaces. This is normal as every unit is tested prior to shipping.

ABOUT POWER/MODE

POWER/MODE button can be pushed to either OFF, HI or LO mode. On HI, humidifier will operate on maximum power. On LO, humidifier will operate more quietly on reduced power. The mode will be indicated in the MODE window of the digital display.

ABOUT POWER INDICATOR

POWER INDICATOR will be lit to indicate that the POWER/MODE button is in either the HI or LO position. This indicator will not be lit when the POWER/MODE button is in the OFF position.

ABOUT HUMIDITY

The digital display window above HUMIDITY displays the ambient relative humidity as long as the humidifier is plugged into a live electrical outlet.

SET HUMIDITY CONTROL—This controls the humidity level. For humidity desired, the control switch should be continually pressed until the number appears that reflects desired humidity.

OPERATION

1. Place the base of the unit on a firm, flat, level and water-resistant surface.
2. Fill the WATER TANK according to the instructions on the next page and place it on the humidifier base.
3. Plug the power cord firmly and completely into the wall outlet.
4. Push POWER/MODE switch to either the HI or LO position. Push SET HUMIDITY button until desired humidity appears in the SET HUMIDITY window of the digital display. The humidity can be set in 5% increments between 30 and 90% relative humidity. Desired humidity is normally set at 50% or below to avoid over-humidification. The humidifier will produce vapor until the relative humidity (indicated in the HUMIDITY window of digital display) reaches the SET HUMIDITY setting. It will be normal for the humidifier to take 2 minutes to warm up and begin to mist.
5. When the WATER TANK is empty (after approximately 24 hours running time), the REFILL WHEN LIT light will go on, and the unit will stop heating. Refer to the FILLING THE WATER TANK section on the next page.
6. Whenever the water falls below the level of the FLOAT during operation, the heating element will shut off and stop heating.
7. MIST OUTPUT GRILLE may be adjusted manually by pointing in desired direction.

IMPORTANT: NEVER point the MIST OUTLET GRILLE at a wall.

8. For nighttime or other times when quieter operation is desired, push the POWER/MODE switch until LO appears in the MODE window of digital display.

FILLING THE WATER TANK

REFILL WHEN LIT—When illuminated, the water tank needs refilling. "REF" will also be indicated in the MODE window at this time. If still illuminated after full tank is placed on base, see TROUBLESHOOTING section.

1. Before filling the WATER TANK, push POWER/MODE switch until OFF appears in MODE window and unplug unit.
2. Remove WATER TANK from base, turn the tank upside down and remove TANK CAP by turning counterclockwise. Fill tank with clean, cold tap water. Replace the TANK CAP by turning clockwise. Tighten firmly.
3. Carefully pick up tank, since it will be heavy when full, and slippery if wet.
4. Place WATER TANK on base. Make sure tank is properly seated, otherwise the humidifier will not work correctly.

USING THE MEDICATION CUP/MIST OUTLET GRILLE (OPTIONAL)

In order to add a medicated vapor to the mist output:

1. Press POWER/MODE switch to the OFF position and allow the outlet grille to cool.
2. Lift the MEDICATION CUP.
3. Carefully add liquid medication. DO NOT fill the cup more than half full.
4. Carefully replace the MEDICATION CUP.
5. Press POWER/MODE to either the LO or HI position.
6. After use, remove the cup from the unit and clean any residue from the cup with warm water.

WARNING: DO NOT use any liquid medication other than those specifically recommended for use with a steam vaporizer or warm mist humidifier.

DO NOT pour medication directly into the **MIST OUTLET GRILLE** openings nor add it to the water in the tank or tray.

MINERAL ABSORPTION PAD INSTRUCTIONS

Warm mist humidifiers do not spread fine mineral dust into the air that you breathe nor onto your furniture, the way that other types of humidifiers do. The mineral dust remains trapped in the humidifier's hot water reservoir. Use of Mineral Absorption Pads will play a major role in capturing and removing minerals from the hot water reservoir, preventing a stubborn mineral buildup. The unit can run without pads, but more frequent cleaning will be required. The mineral absorption pad for this unit is EMP-17P.

1. Before starting humidifier, place mineral absorption pad in the hot water reservoir. After the humidifier has been operating, the water will become **HOT**, and **CAUTION** should be exercised when handling mineral absorption pad. It is best to allow humidifier water to cool down, and to use tongs or long tweezers when handling pad.
2. The useful life of the mineral absorption pad will vary, depending on the mineral content of the water used. In areas of moderate mineral content, the mineral absorption pad should be changed after approximately (3) weeks of continuous use. If the water is "Hard Water", the pad should be changed more frequently. The best way to tell when the pad should be changed is to examine it **AFTER** the water has cooled down, to see if it is still soft and pliable. When the pad is near the end of its life, it becomes stiff and hard and should be replaced with a new pad. Another sign you need to change the pad is when scale begins to build up on the interior of the hot water reservoir.

CLEANING AND MAINTENANCE

Water contains minerals and other particles. During operation, most of these minerals will remain in the water reservoir. Gradual buildup of deposits will coat the hot water reservoir and reduce its efficiency. The importance of routine cleaning and care cannot be over-emphasized. Hard water contains more minerals and other particles.

If a mineral absorption pad appears to disintegrate (normally due to use of softened water), discontinue use of pads.

CLEANING INSTRUCTIONS

IMPORTANT! Failure to perform the necessary cleaning steps will damage unit.

1. Before cleaning, set CONTROLS to OFF position and unplug unit.
2. Allow at least 15 minutes for the hot water to cool after shutting unit OFF before moving base, or removing mineral absorption pad.
3. Remove water tank from humidifier base, and drain water from tank. To drain water from humidifier base, grasp with both hands and tilt to the side, draining water into the sink.
4. Remove mineral absorption pad from hot water reservoir using tweezers or tongs to prevent burns from hot water.

BE CAREFUL NOT TO HAVE DRAINING WATER FALL INTO CONTROLS OR VENT OPENINGS. DO NOT drain in any manner other than indicated.

WARNING: DO NOT place directly under running faucet. Turn the base upside down and remove the cap by turning it counterclockwise. Clean out any foreign matter that has accumulated inside the fitting from which the cap was removed. After cleaning, replace this cap tightly by hand. Pour a small amount of water into the hot water reservoir and check for leaks from this cap under the base.

5. Pour about 1 cup of white vinegar into either reservoir and allow it to soak for only 20 to 30 minutes.
6. Hold the base of the humidifier over the sink and tilt it on its side to empty the vinegar. Fill the cold and hot water reservoirs with clean, warm water to remove all traces of the vinegar. Remove any buildup of minerals in the hot water reservoir using a small brush, such as a toothbrush. NOTE: The buildup is due to water hardness. The harder your water, the more often this maintenance will be needed. Empty all of this water by turning the unit on its side. DO NOT ALLOW WATER TO ENTER THE BOTTOM OF THE HUMIDIFIER BASE OR ANY OTHER OPENINGS, OR IMMERSE THE CORD AND PLUG.
7. Disinfect the water tank using a solution of one teaspoon of household chlorine bleach in 1 gallon of water. Let the solution sit for 20 minutes, swishing every few minutes to wet all surfaces. Empty the tank completely; rinse thoroughly until all of the bleach smell is gone. Fill the tank with fresh, cool water and replace it onto the humidifier base.
8. NEVER use any metal or hard objects to clean plastic parts—this may cause scratching of the plastic parts. NEVER use gasoline, kerosene, glass cleaner, furniture polish, paint thinner or other household solvents to clean any part of the humidifier.
9. Each day the reservoir and tank should be drained, rinsed and refilled with fresh tap water.
10. To clean exterior surfaces, use a solution of water and mild detergent with a wrung-out damp cloth. Rinse and wring out the cloth and wipe the exterior surfaces again. Finally, wipe with a dry cloth. Allow sufficient time to dry before plugging the electrical cord into the outlet.
11. Replace tank. Replace mineral absorption pad, if using. Plug in the unit and resume normal use.

REPLACING UV BULB

If the REPLACE UV BULB WHEN LIT signal light is illuminated during normal use, the bulb must be replaced with the same special 3.5W bulb, EUV-13B. The UV bulb will operate at maximum output for approximately 2,000 hours. The UV bulb may operate longer than 2,000 hours but at a reduced output. To keep your humidifier operating at maximum efficiency it is recommended that the UV bulb be replaced after 2,000 hours of use.

1. If the REPLACE UV BULB indicator illuminates during normal use, it is time to change the UV bulb, which is a special 3.5W bulb.
2. Press POWER/MODE switch to the OFF position, unplug it and allow it to cool.
3. Remove the WATER TANK from the base of the humidifier.
4. Place the base of the humidifier over the sink and tilt the unit to remove any remaining water.
5. Carefully turn the base of the humidifier over and place it upside down on a flat, level surface. You will see a door that is closed with a screw(s).
6. Using a Phillips head screwdriver, carefully turn the screw(s) counterclockwise until the screw(s) separate from the door.
7. Open the door. The UV lightbulb will be visible.

8. Take a replacement 3.5W UV bulb that you purchased from Kaz Incorporated or another supplier and change the bulb. To prolong the life of the bulb, limit your direct contact with the glass of the bulb by using a cloth or tissue to screw it into place. Mail questions or comments to: Kaz, Incorporated, Consumer Relations Dept., 250 Turnpike Road, Southborough, MA 01772. Please be sure to specify model number. Call toll-free at: 800-477-0457; E-mail: consumerrelations@kaz.com; or visit the website at: www.kaz.com. Purchase replacement mineral absorption pad part number EMP-17P or replacement bulb part number EUV-13B.



Example of replacing the lightbulb.

9. When the new bulb is in place, close the door and replace the screw(s) by using your Phillips-head screwdriver and rotating it clockwise until it is just tight. DO NOT OVER-TIGHTEN.
10. DO NOT turn power on while UV Lamp Door is open, and do not view illuminated bulb directly as it may cause eye damage.
11. Turn the unit upright, place the WATER TANK on top of the base of the humidifier, plug the unit in, and push POWER/MODE switch to either the HI or LO position. The REPLACE UV BULB indicator should no longer be lit.

IMPORTANT NOTE: Even though you will not receive maximum germicidal effects, you can still use your humidifier until the replacement bulb arrives.

NOTE: You may hear a rattling sound and notice a small, round object inside your bulb. This is normal. Your bulb is fully operational.

NOTE: Discard the old UV bulb cartridge at a household hazardous waste collection site. Bulb and bulb housing are not intended for use with any other product or purpose.



Lamp contains mercury. Manage in accordance with disposal laws. See www.lamprecycle.org or call **1-800-895-8842**.

STORAGE TIPS

If you do not plan to use your humidifier for an extended period of time, such as during the summer months, it is important that you follow these instructions to help prevent problems from developing in the unit.

1. Clean your humidifier as instructed in the section entitled Cleaning and Maintenance.
2. Make sure all water is emptied from the tank and the hot and cold water reservoirs.
3. Dry the unit thoroughly.
4. Leave the tank cap off to expose the tank to air.
5. Pack your humidifier in its original carton and store it in a cool, dry place.

SPECIFICATIONS

Output per Day:	2 Gallons
Electrical usage:	260W High, 130W Low
Weight (without water):	6.34 lbs
Water Tank Capacity:	2.1 Gallons
Dimensions (approximately)	8.25" w x 14.25" l x 11.50" h

TROUBLESHOOTING

ISSUE	POSSIBLE CAUSE	SOLUTION
Unit does not mist.	Unit is not plugged in. Power failure.	Plug in unit. Check circuit breaker.
	Water tank is empty.	Remove and refill water.
	Power switch not turned on.	Turn on switch.
	Unit still on REFILL after refilling tank.	Check that there is water in the hot water reservoir.
	Float on bottom of tank "hangs up".	Carefully clean any residue or obstruction.
	Water tank not properly situated on base.	Reposition water tank.
	Humidity level set is achieved.	Turn relative humidity control to higher setting.

TROUBLESHOOTING (Continued)

ISSUE	POSSIBLE CAUSE	SOLUTION
Water leaks from main unit.	Base Drain Cap and Gasket, tank cap or tank cap gasket are missing or improperly positioned.	Tighten cap. Replace or reposition cap gasket.
Moist air output low.	Mineral buildup in hot water reservoir.	Clean unit as per instructions. Check ambient humidity. If humidity is high, output will be low.

ONE (1) YEAR LIMITED WARRANTY

Brookstone® warrants this product against defects in materials and/or workmanship under normal use for a period of ONE (1) YEAR from the date of purchase by the original purchaser ("Warranty Period"). If a defect arises and a valid claim is received within the Warranty Period, at its option, Brookstone will either 1) repair the defect at no charge, using new or refurbished replacement parts, or 2) replace the product with a new product that is at least functionally equivalent to the original product, or 3) provide a store credit in the amount of the purchase price of the original product. A replacement product or part, including a user-installable part installed in accordance with instructions provided by Brookstone, assumes the remaining warranty of the original product. When a product or part is exchanged, any replacement item becomes your property and the replaced item becomes Brookstone's property. When a store credit is given, the original product must be returned to Brookstone and becomes Brookstone's property.

Obtaining Service: To obtain warranty service, call Brookstone Limited Warranty Service at 1-800-292-9819. Please be prepared to describe the product that needs service and the nature of the problem. A purchase receipt is required. All repairs and replacements must be authorized in advance. Service options, parts availability and response times will vary. You are responsible for delivery and the cost of delivery of the product or any parts to the authorized service center for replacement, per our instructions.

Limits and Exclusions: Coverage under this Limited Warranty is limited to the United States of America, including the District of Columbia and the U.S. Territories of Guam, Puerto Rico, and the U.S. Virgin Islands. This Limited Warranty applies only to products manufactured for Brookstone that can be identified by the "Brookstone" trademark, trade name, or logo affixed to them or their packaging. The Limited Warranty does not apply to any non-Brookstone products. Manufacturers or suppliers other than Brookstone may provide their own warranties to the purchaser,

but Brookstone, in so far as permitted by law, provides these products "as is." This warranty does not apply to: a) damage caused by failure to follow instructions relating to product's use or the installation of components; b) damage caused by accident, abuse, misuse, fire, floods, earthquake or other external causes; c) damage caused by service performed by anyone who is not a representative of Brookstone; d) accessories used in conjunction with a covered product; e) a product or part that has been modified to alter functionality or capability; f) items intended to be periodically replaced by the purchaser during the normal life of the product including, without limitation, batteries or light bulbs; g) any product sold "as is" including, without limitation, floor demonstration models and refurbished items; or h) a product that is used commercially or for a commercial purpose.

BROOKSTONE SHALL NOT BE LIABLE FOR INCIDENTAL OR CONSEQUENTIAL DAMAGES RESULTING FROM THE USE OF THIS PRODUCT, OR ARISING OUT OF ANY BREACH OF THIS WARRANTY. TO THE EXTENT PERMITTED BY APPLICABLE LAW, BROOKSTONE DISCLAIMS ANY AND ALL STATUTORY OR IMPLIED WARRANTIES, INCLUDING, WITHOUT LIMITATION, WARRANTIES OF MERCHANTABILITY, FITNESS FOR A PARTICULAR PURPOSE AND WARRANTIES AGAINST HIDDEN OR LATENT DEFECTS. IF BROOKSTONE CANNOT LAWFULLY DISCLAIM STATUTORY OR IMPLIED WARRANTIES, THEN TO THE EXTENT PERMITTED BY LAW, ALL SUCH WARRANTIES SHALL BE LIMITED IN DURATION TO THE DURATION OF THIS EXPRESS WARRANTY.

Some states disallow the exclusion or limitation of incidental or consequential damages or how long an implied warranty lasts, so the above exclusions or limitations may not apply to you. This warranty gives you specific legal rights and you may also have other rights, which vary from state to state.

Brookstone®

A WORLD OF INNOVATION

Since 1965, people have come to Brookstone to see what's new, discover smart solutions to everyday problems—and have some fun. At Brookstone, we believe there's always a better way to do things. And we created a world of innovation to prove it.

Merrimack, New Hampshire USA 03054 • 800-846-3000 • www.Brookstone.com

636126 Rev. 0710
31IM211D192

Download from Www.Somanuals.com. All Manuals Search And Download.

Free Manuals Download Website

<http://myh66.com>

<http://usermanuals.us>

<http://www.somanuals.com>

<http://www.4manuals.cc>

<http://www.manual-lib.com>

<http://www.404manual.com>

<http://www.luxmanual.com>

<http://aubethermostatmanual.com>

Golf course search by state

<http://golfingnear.com>

Email search by domain

<http://emailbydomain.com>

Auto manuals search

<http://auto.somanuals.com>

TV manuals search

<http://tv.somanuals.com>