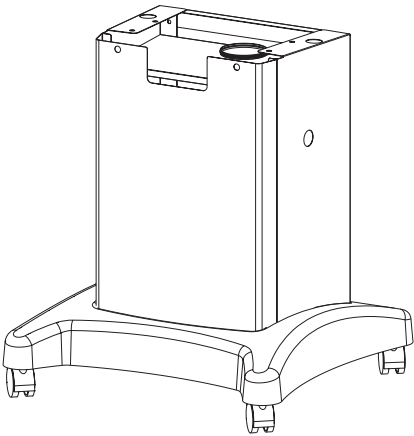
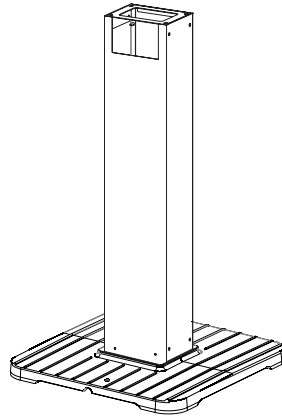


BROILMASTER® PREMIUM GAS GRILLS

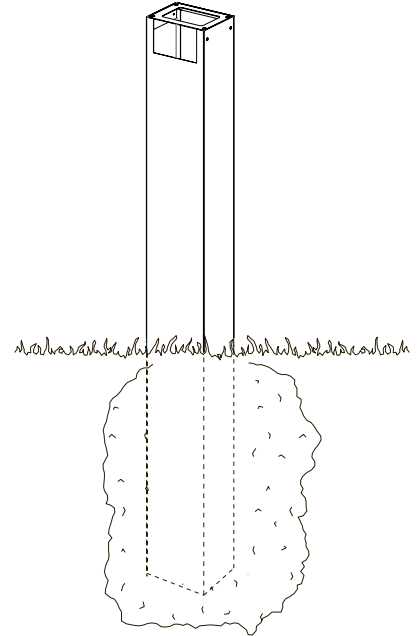
INSTALLATION INSTRUCTIONS



MODELS
PCB1-2
DCB1-2



MODELS
BL26P-1
SS26P-1



MODELS
BL48G-1
SS48G-1
B101652

VERIFY THAT ALL PARTS LISTED ON THE EXPLODED VIEW OF THIS MANUAL HAVE BEEN INCLUDED IN THIS CARTON BEFORE BEGINNING INSTALLATION.

⚠ CAUTION: USE CAUTION WHEN HANDLING PARTS, AS THEY MAY CONTAIN SHARP EDGES. WORK GLOVES ARE RECOMMENDED TO PREVENT INJURY.

KEEP THIS OWNER'S MANUAL FOR FUTURE REFERENCE.

EMPIRE COMFORT SYSTEMS, INC • 918 FREEBURG AVE. • BELLEVILLE, IL 62220

TABLE OF CONTENTS

CONGRATULATIONS!

You have chosen the finest grill for your outdoor cooking pleasure. Please take time to read this entire manual before assembling your Broilmaster® Grill accessory.

| | |
|---|-------|
| Important Information | 4 |
| PCB1-2, DCB1-2 Installation Instructions | 5-10 |
| Cart Exploded View & Parts List | 6 |
| Cart Hardware Package | 7 |
| Cart Assembly | 8-10 |
| BL26P-1, SS26P-1 Patio Base Installation Instructions | 11-16 |
| Patio Base Exploded View & Parts List | 12 |
| Patio Base Hardware Package..... | 13 |
| Patio Base Installation | 14-16 |
| BL48G-1, SS48G-1 In-Ground Post Installation Instructions | 14-22 |
| In-Ground Post Exploded View & Parts List | 18 |
| In-Ground Post Hardware Package..... | 19 |
| In-Ground Post Assembly | 20-22 |
| Template for Mounting Holes | 23 |

THIS GAS ACCESSORY IS DESIGNED FOR OUTDOOR USE ONLY

IMPORTANT:

This manual should be read thoroughly by the person installing the grill mounting and all persons who will use and maintain the grill mounting. The installer should be sure the manual is left in the possession of the user. The user should retain this manual for future reference when using or cleaning the grill mounting and to properly identify any repair parts that may be required.

⚠ WARNING:

Reference this manual for proper installation and maintenance instructions. Improper installation, adjustment, alteration, service or maintenance can cause personal injury or property damage. For assistance or additional information consult a qualified installer, service agency or the gas supplier.

⚠ CAUTION:

The grill and its individual shutoff valve must be disconnected from the gas supply piping system during any pressure testing of that system at test pressures in excess of 1/2 PSIG.

⚠ CAUTION:

The grill must be isolated from the gas supply piping system by closing its individual manual shutoff valve during any pressure testing of the gas supply piping system at test pressures equal to or less than 1/2 PSIG.

⚠ CAUTION:

Parts may have sharp edges. Wear leather work gloves and handle parts carefully during the unpacking, assembly and the installation.

⚠ WARNING:

Do not supply LP gas to a grill designed for natural gas nor natural gas to a grill designed for LP gas.

NOTICE:

Assemble grill mount before assembling grill.

IMPORTANT INFORMATION

Grill Location

Broilmaster® Gas Grills are designed for outdoor use ONLY.

These mounting accessories are designed for use with Broilmaster® gas grills and must not be used with any other grill or for any other purpose.

Never install or operate your grill in any building, garage, or other enclosed area. To do so may result in the possibility of fire, property damage, or personal injury.

For your safety, the grill should not be installed or operated under any combustible materials, such as carports, covered porches, awnings, or overhangs. To do so may result in the possibility of fire, property damage, or personal injury.

Never install or use your grill in or on any recreational vehicle or boat. To do so may result in the possibility of fire, property damage, or personal injury.

▲ CAUTION: THE INSTALLATION AND OPERATION OF THIS GRILL AT CLEARANCES LESS THAN SPECIFIED BELOW MAY LEAD TO THE POSSIBILITY OF FIRE, PROPERTY DAMAGE, OR PERSONAL INJURY.

A minimum clearance of eighteen (18") inches is required from the back of the grill to any combustible material.

Examples of combustible materials are patio furniture, fences, or the wall of your home.

The area surrounding the grill should be clear to ensure proper ventilation. Do not obstruct the flow of combustion and ventilation air in any way. The ventilation openings on the propane cylinder enclosure must also remain free and clear of debris.

▲ WARNING: DO NOT INSTALL OR OPERATE A GAS GRILL WHERE GASOLINE OR OTHER FLAMMABLE MATERIALS ARE USED OR STORED. FAILURE TO COMPLY WITH THIS WARNING COULD RESULT IN EXPLOSION OR FIRE CAUSING PROPERTY DAMAGE OR PERSONAL INJURY.

Gas Types

Never use liquid propane gas with a grill designed for natural gas, or natural gas with a grill designed for liquid propane gas. The type of gas required for your grill is defined on its product identification label. Questions regarding different types of gases should be directed to your gas supplier.

Cleaning

The exterior of your cart or post may be cleaned with hot water and mild detergent as needed.

Touch-up paint is available through your Broilmaster® dealer.

Stainless steel surfaces may be cleaned with a spray-on stainless steel cleaner available at most hardware stores.

Important: Do not use harsh or abrasive cleaners! Your cart or post has a highly polished surface and may be easily scratched.

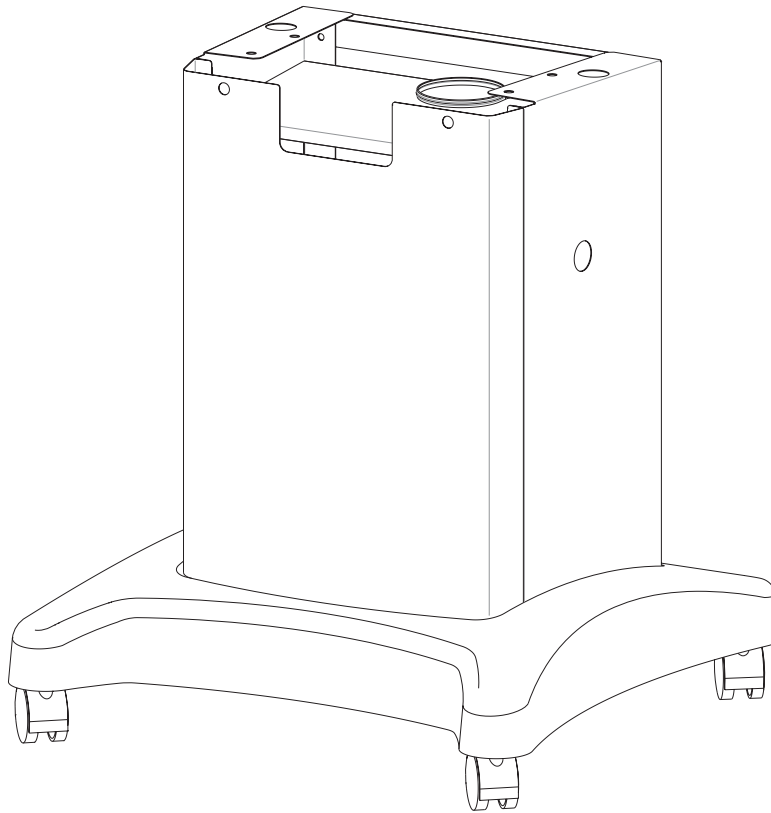
Periodic Inspection and Maintenance

Periodic inspections and maintenance are essential. All Broilmaster® Gas Grill products or mechanical devices eventually begin to wear due to environment, contaminants, corrosion or aging. Inspect all components at least twice per year and replace any that show wear.

If any parts are damaged or missing, you may order parts from your local Broilmaster® dealer. Please refer to the Parts Diagram and Parts List section of this manual for more detailed information.

PCB1-2, DCB1-2

INSTALLATION INSTRUCTIONS



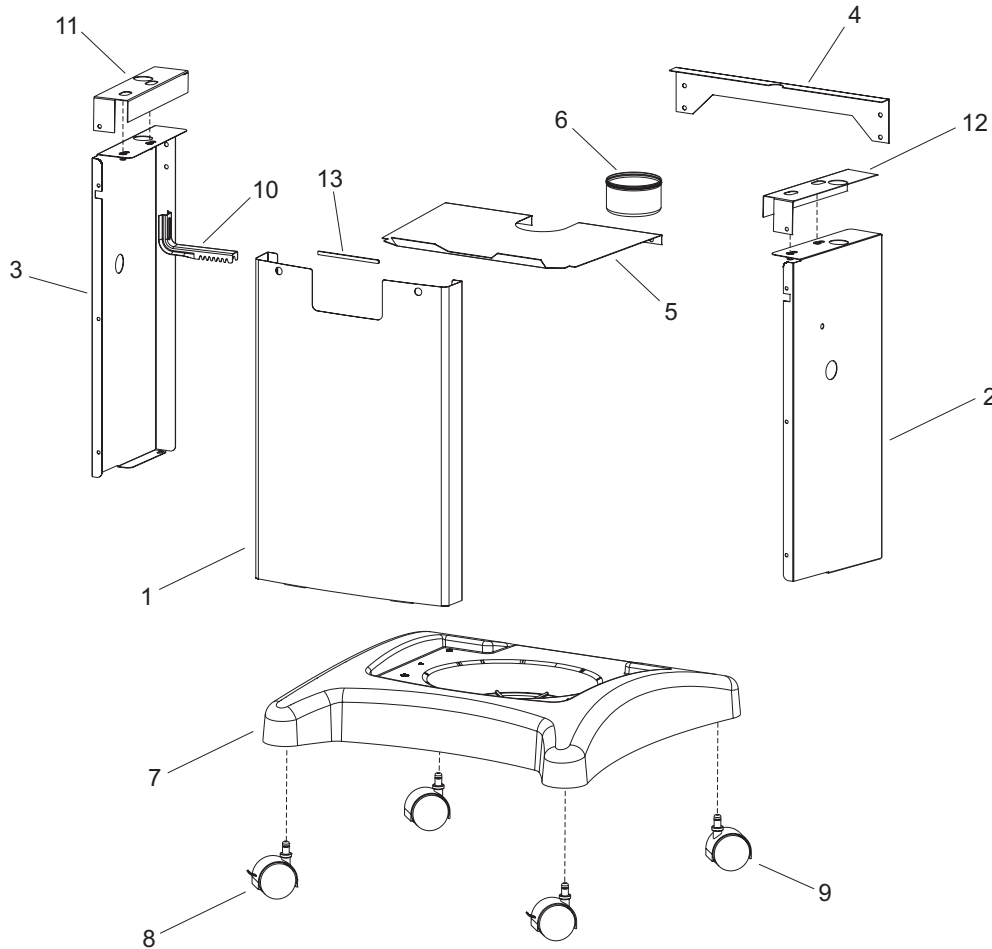
VERIFY THAT ALL PARTS LISTED ON THE EXPLODED VIEW OF THIS MANUAL HAVE BEEN INCLUDED IN THIS CARTON BEFORE BEGINNING INSTALLATION.

⚠ CAUTION: USE CAUTION WHEN HANDLING PARTS, AS THEY MAY CONTAIN SHARP EDGES. WORK GLOVES ARE RECOMMENDED TO PREVENT INJURY.

REMOVE PROTECTIVE COATING AND VERIFY THAT ALL PARTS LISTED ON THE EXPLODED VIEW OF THIS MANUAL HAVE BEEN INCLUDED BEFORE BEGINNING ASSEMBLY.

TOOLS REQUIRED: PHILLIPS SCREW DRIVER (AN ELECTRIC SCREW DRIVER OR DRILL IS RECOMMENDED TO EASE INSTALLATION.)

CART EXPLODED VIEW & PARTS LIST



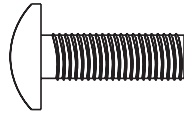
Remove protective coating from stainless steel parts starting at pop rivets and verify that all parts listed in the exploded view on this page have been included before beginning this installation.

⚠ Caution: Use caution when handling parts, as they may contain sharp edges. Work gloves are recommended to prevent injury.

| INDEX NO. | PART NO. | | | DESCRIPTION |
|-----------|----------|---------|---------|------------------------------|
| | PCB1 | DCB1 | H3PK1 | |
| 1 | B101585 | B101584 | B101584 | Front Panel |
| 2 | B101651 | B101642 | B101642 | Right Side Panel Assembly |
| 3 | B101650 | B101641 | B101641 | Left Side Panel Assembly |
| 4 | B101583 | B101582 | B101582 | Rear Brace |
| 5 | B101633 | B101633 | B101633 | Cart shield stainless steel |
| 6 | B101473 | B101473 | B101473 | Grease Cup |
| 7 | B101414 | B101414 | B101415 | Plastic Base |
| 8 | B101416 | B101416 | B101416 | Caster with Brake |
| 9 | B101417 | B101417 | B101417 | Caster without Brake |
| 10 | B064791 | B064791 | B064791 | Cylinder Retainer |
| 11 | B101565 | B101565 | B101565 | Base Support Bracket - Right |
| 12 | B101495 | B101495 | B101495 | Base Support Bracket - Left |
| 13 | B101635 | B101635 | B101635 | Channel, Edge Protector |

All repair part orders should be placed through your local Broilmaster dealer. To locate a dealer in your area, visit www.broilmaster.com and click on the dealer locator. To ensure prompt and accurate service, please provide the following information when placing a repair part order: Model Number, Part Name, Part Number, and Quantity of parts needed.

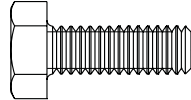
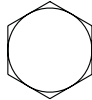
CART HARDWARE PACKAGE



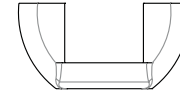
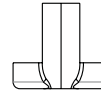
PHILLIPS TRUSS HEAD SCREW 1/4-20 X 3/4



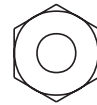
10-24 KEPS NUT



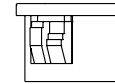
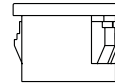
HEX HEAD BOLT 1/4-20 X 3/4



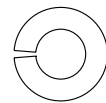
1/4-20 WING NUT



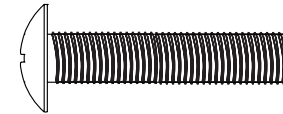
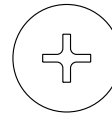
1/4-20 HEX NUT



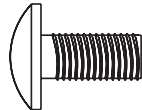
1/2 SNAP BUSHING



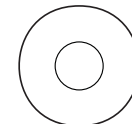
1/4 ID X 1/2 OD LOCK WASHER



PHILLIPS TRUSS HEAD SCREW 1/4-20 X 1 1/4



PHILLIPS SCREW 10-24 X 1/2



1/4 ID X 5/8 OD FLAT WASHER

Note: Hardware shown at actual size where possible.

| Description | Qty Supplied | Description | Qty Supplied |
|--|--------------|--|--------------|
| PHILLIPS TRUSS HEAD SCREW 1/4-20 X 3/4 | 8 | 10-24 KEPS NUT | 6 |
| HEX HEAD BOLT 1/4-20 X 3/4 | 4 | 1/4-20 WING NUT | 1 |
| 1/4-20 HEX NUT | 4 | 1/2 SNAP BUSHING | 1 |
| 1/4 ID X 1/2 OD LOCK WASHER | 1 | PHILLIPS TRUSS HEAD SCREW 1/4-20 X 1 1/4 | 1 |
| PHILLIPS SCREW 10-24 X 1/2 | 6 | 1/4 ID X 5/8 OD FLAT WASHER | 4 |

CART ASSEMBLY

⚠ Caution: Be careful when handling parts, as they may contain sharp edges. Work gloves are recommended to prevent injury. Remove protective plastic covering.

1. **For Stationary Cart Assembly:** Use the template on page 23 to locate and pre-drill the three screw holes into wood or concrete for the cart base. If applicable, drill the 1 1/2" gas line access hole. **DO NOT** secure base with the screws at this time. **For Mobile Cart Assembly:** Flip plastic base and insert casters by inserting the pin provided with the casters in the proper hole. It is recommended that the two casters with brakes should be in the front of the base. See Figure 1.

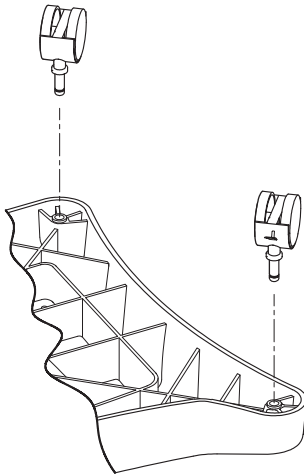


Figure 1

2. Place the base support brackets on the side panels. Slide the short flanges on the brackets between the top and side flanges of the side panels. See Figure 2.

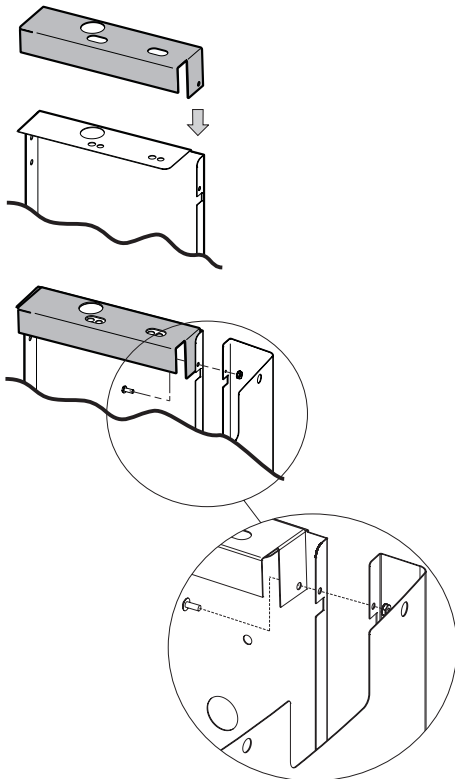


Figure 2

3. Align the holes on the front and side panel assemblies and secure with six #10-24 x 1/2" Phillips screws and 10-24 Keps Nuts provided (3 on each side). Do not tighten these screws until all are installed. Use black screws for black carts and stainless steel screws for stainless steel carts. See Figures 2 and 3.

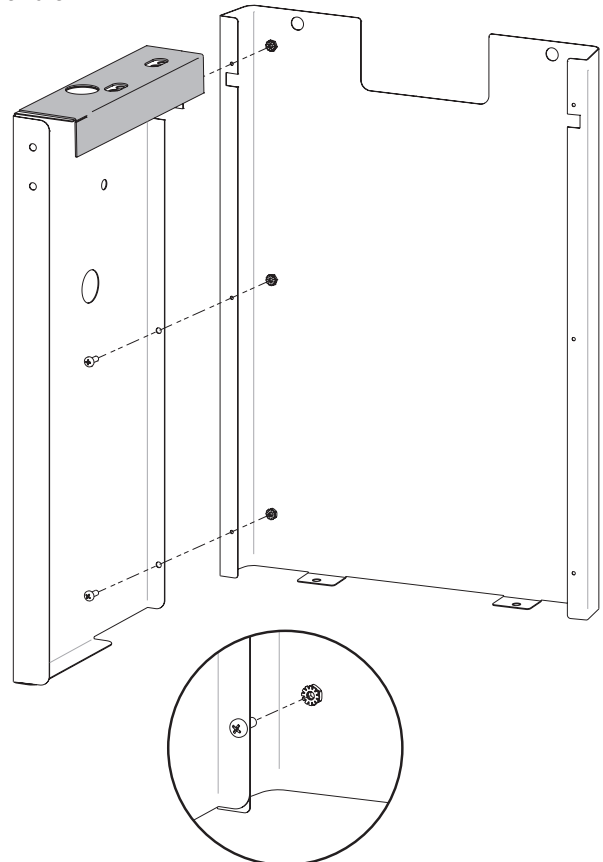


Figure 3

4. Secure the completed assembly to the base with four 1/4-20 x 3/4" Phillips Truss screws. See Figure 4. Note: Plastic base comes with factory installed threaded inserts. Install all four screws before tightening.

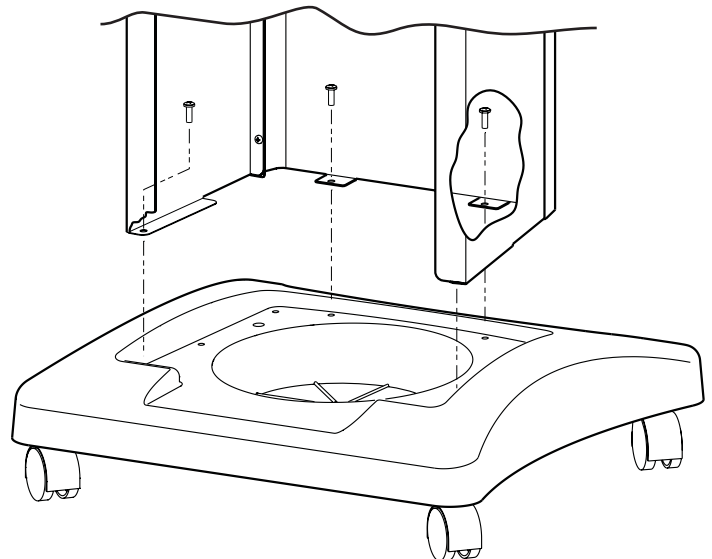


Figure 4

CART ASSEMBLY

5. Attach Rear Brace to the Left and Right Side Assemblies with two 1/4-20 x 3/4" Phillips Truss Head screws and 1/4-20 Hex nuts. See Figure 5. Important: Make sure the brace goes in the cutout of the support bracket.

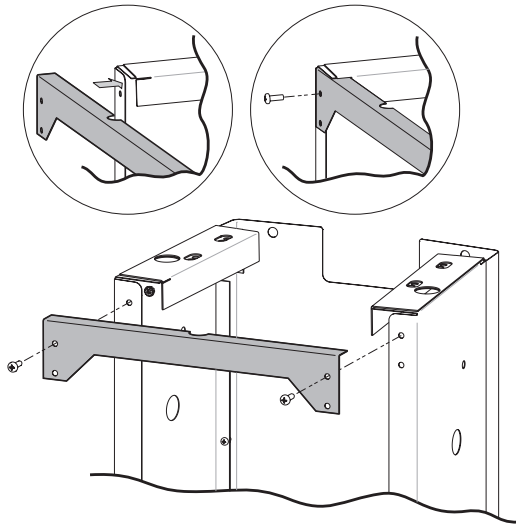


Figure 5

6. Insert bushing in the front panel on the right for P and H series and on the left for R and T series grills. Install rubber guard over cart cut out. See Figure 6.

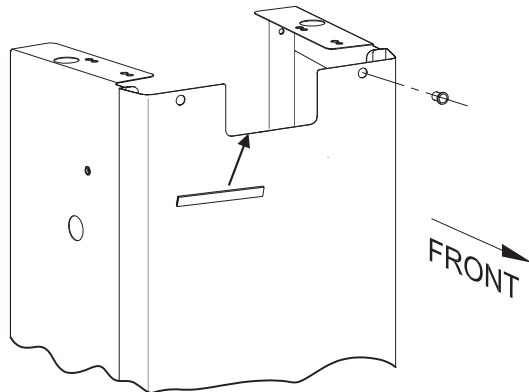


Figure 6

Note: Bushing is used to protect the ignitor wires from rubbing on the front panel when they are in place.

Note: Ignitor wires must go through the bushing before grill head is fully installed.

7. Secure the grill head to the cart using four 1/4-20 x 3/4" Hex Head Bolts and 1/4 x 5/8 Flat Washers. See Figure 7. **Note:** To ease assembly, you may wish to install the ignitor as shown in your Broilmaster® grill manual before attaching the grill to the cart.

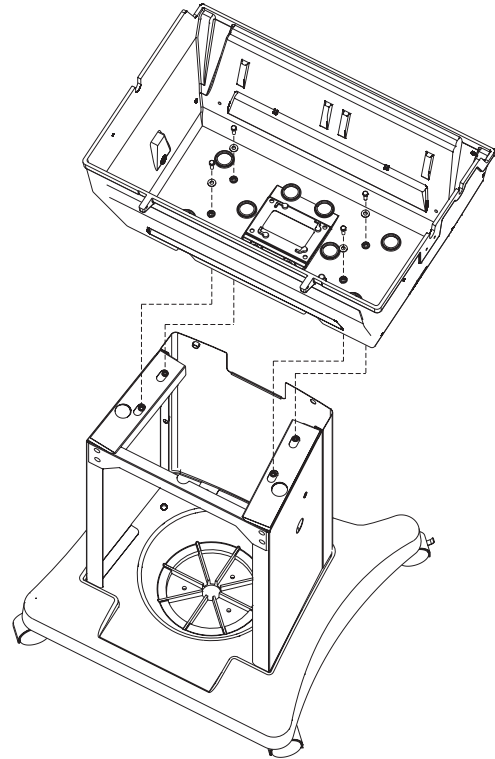


Figure 7

8. Attach the Heat Shield to the Left and Right side assemblies with two 1/4-20 x 3/4 Phillips Truss Head screws and 1/4-20 Hex nuts. Make sure shield is resting on the cutout provided in the side panels before tightening the screws and nuts. See Figures 8 and 9. Note: Grill head removed for clarity.

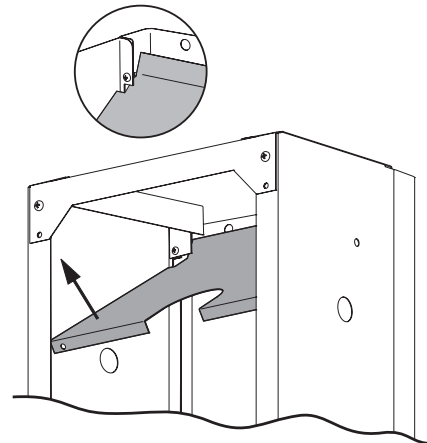


Figure 8

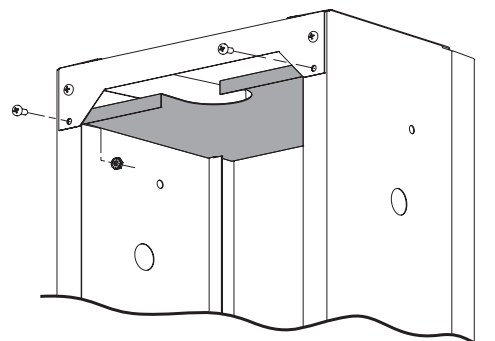


Figure 9

CART ASSEMBLY

9. For Grill Heads other than R3 Series, continue on to Step 10.

For R3 Series Grill Heads: Press in the two sides of the Control Housing (provided with Grill Head) and fit it into the opening under the grill head as shown in Figure 10. Grill Assembly will look like Figure 11.

Note: It may be easier to insert one side of the control housing first, and then press in the other side using the cart as a brace for the inserted side.

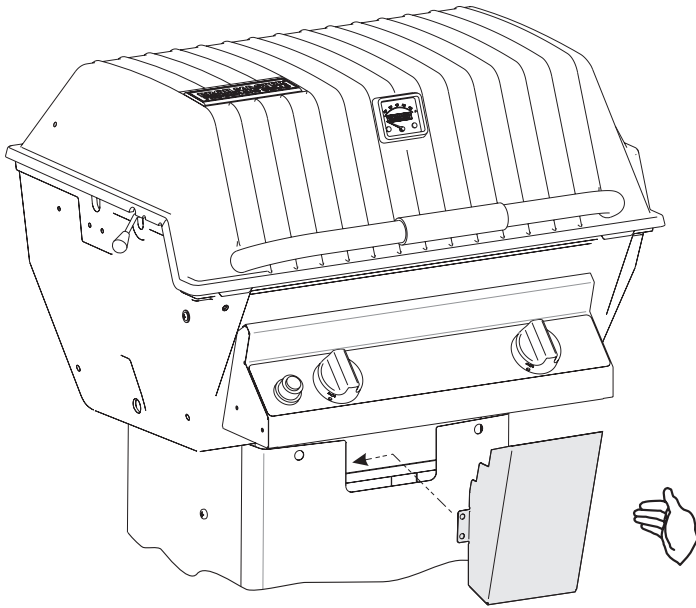


Figure 10

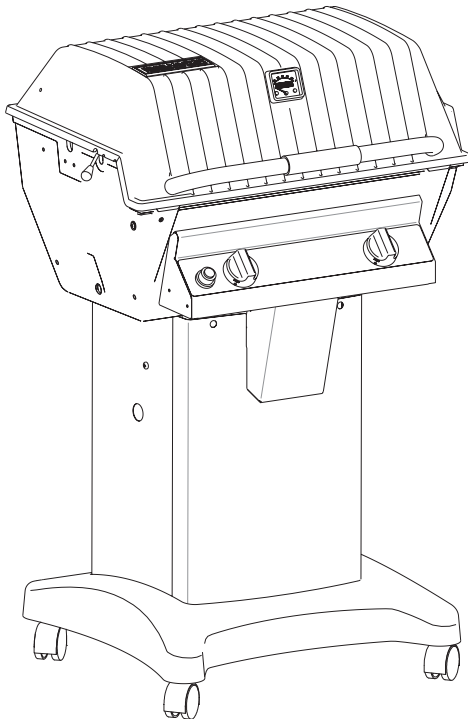


Figure 11

10. Mount the tank retainer to the cart by using 1/4-20 x 1 1/4 Phillips Truss Head screw and 1/4-20 wing nut.

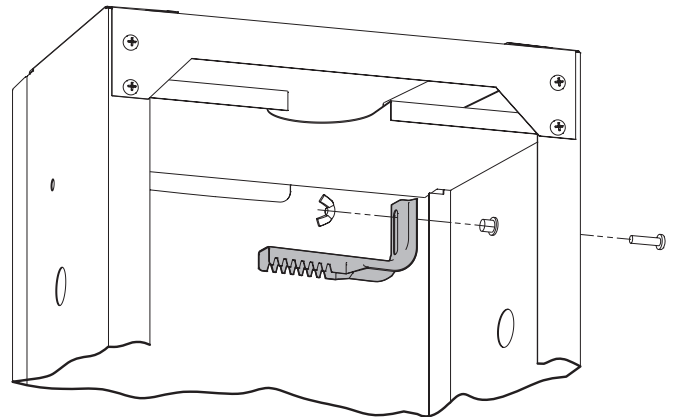


Figure 12

10. Install Grease Cup by sliding it in the cutout provided in the shield.

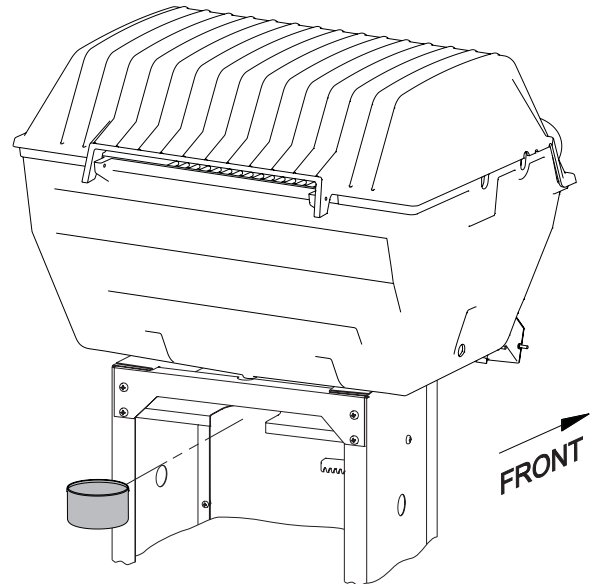
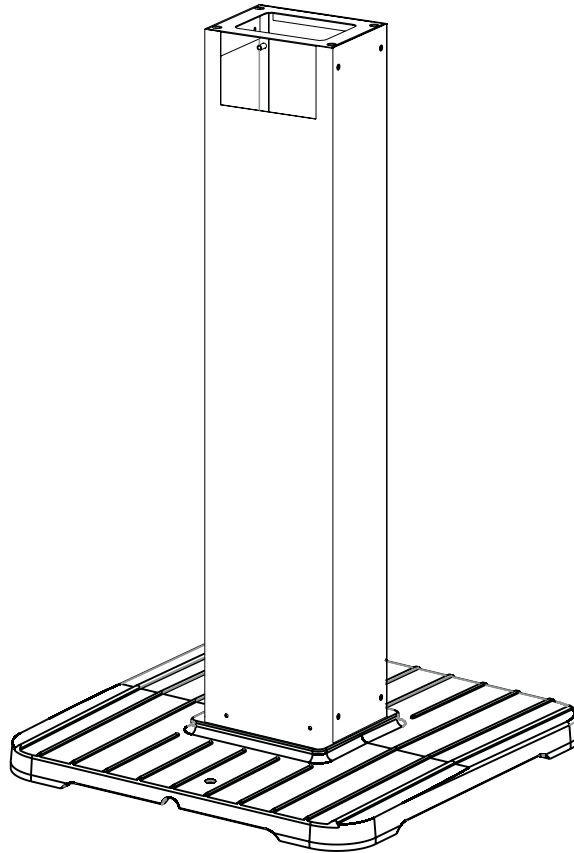


Figure 13

11. For Stationary Cart Assembly: Slide grill assembly into position over holes drilled in Step 1. Secure with three screws (not supplied). If applicable, route the gas line through the hole and attach to the grill.

BL26P-1, SS26P-1 PATIO BASE INSTALLATION INSTRUCTIONS



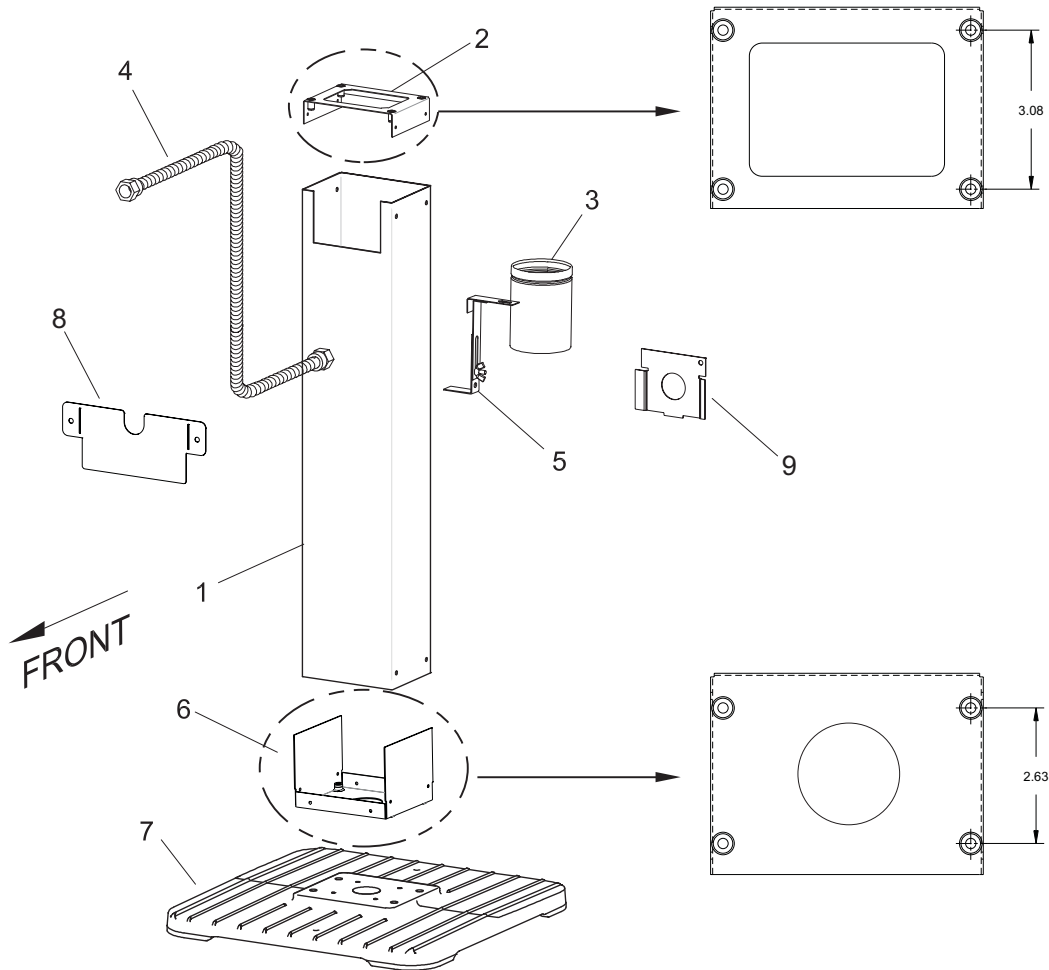
▲ WARNING: THIS PATIO BASE IS NOT DESIGNED FOR USE WITH AN **LP** GAS CYLINDER.

▲ WARNING: SEE YOUR GRILL OWNER'S MANUAL FOR PROPER LOCATION, MINIMUM CLEARANCES, AND OTHER IMPORTANT SAFETY INFORMATION BEFORE PROCEEDING WITH INSTALLATION OF THIS PATIO POST.

VERIFY THAT ALL PARTS LISTED ON THE EXPLODED VIEW OF THIS MANUAL HAVE BEEN INCLUDED IN THIS **CARTON** BEFORE BEGINNING INSTALLATION.

▲ CAUTION: USE CAUTION WHEN HANDLING PARTS, AS THEY MAY CONTAIN SHARP EDGES. **WORK GLOVES** ARE RECOMMENDED TO PREVENT INJURY.

PATIO BASE EXPLODED VIEW & PARTS LIST



Remove protective coating from stainless steel parts starting at pop rivets and verify that all parts listed in the exploded view on this page have been included before beginning this installation.

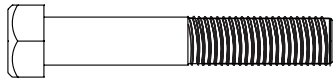
⚠ Caution: Use caution when handling parts, as they may contain sharp edges.
Work gloves are recommended to prevent injury.

| INDEX NO. | PART NO. | | DESCRIPTION |
|-----------|----------|---------|------------------------------------|
| | SS26P | BL26P | |
| 1 | B101660 | B101644 | Post Assembly |
| 2 | B101760 | B101760 | Upper Bracket Assembly |
| 3 | B101634 | B101634 | Grease Cup |
| 4 | B076519 | B076519 | Flex Line |
| 5 | B101628 | B101628 | Grease Cup Holder |
| 6 | B101764 | B101764 | Lower Bracket Assembly |
| 7 | B074604 | B074604 | Cast Base |
| 8* | - | B101596 | Post Cover Plate - Black |
| 8* | B101597 | - | Post Cover Plate - Stainless Steel |
| 9 | B101630 | B101629 | Post Access Door |

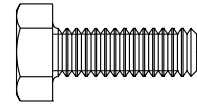
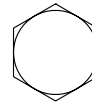
* Post Cover Plate is used only when installing R3 Series grill head onto post.

All repair part orders should be placed through your local Broilmaster dealer. To locate a dealer in your area, visit www.broilmaster.com and click on the dealer locator. To ensure prompt and accurate service, please provide the following information when placing a repair part order: Model Number, Part Name, Part Number, and Quantity of parts needed.

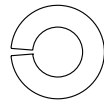
PATIO BASE HARDWARE PACKAGE



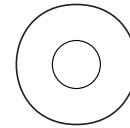
HEX HEAD SCREW 1/4-20 X 1 1/2



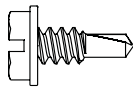
HEX HEAD BOLT 1/4-20 X 3/4



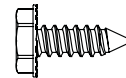
1/4 ID X 1/2 OD LOCK WASHER



1/4 ID X 5/8 OD FLAT WASHER



HEX HEAD SCREW 10 X 1/2 SELF DRILL



HEX HEAD SCREW 10 X 1/2

Note: Hardware shown at actual size where possible.

| Description | Quantity Supplied | Notes |
|------------------------------------|-------------------|---------------------|
| HEX HEAD SCREW 1/4-20 X 1 1/2 | 4 | |
| 1/4 ID X 1/2 OD LOCK WASHER | 4 | |
| HEX HEAD SCREW 10 X 1/2 SELF DRILL | 12 | SS26P-1 Models Only |
| HEX HEAD BOLT 1/4-20 X 3/4 | 4 | |
| 1/4 ID X 5/8 OD FLAT WASHER | 4 | |
| HEX HEAD SCREW 10 X 1/2 | 12 | BL26P-1 Models Only |

PATIO BASE INSTALLATION

NOTICE: Assemble post before assembling grill.

The SS26P and BL26P Patio Bases are only for use with Broilmaster Gas Grills. Before proceeding with installation read your Owner's Manual for the proper location and minimum clearances to combustible materials for your grill and in-ground post.

Verify that all parts listed in the exploded view of this product have been included before beginning this installation.

Recommended Tools:

- Drill/Driver
- Two adjustable wrenches or a socket set
- A medium Phillips screwdriver
- Pipe thread sealer or Teflon tape (for gas connections)
- Soapy water solution (to test for leaks)

1. For Stainless Steel Posts attach lower bracket assembly to post with eight Hex Head #10-1/2" Self Drill screws. For Black Posts, secure lower bracket assembly to post with eight 10 x 1/2 Hex Head screws. See Figure 1. Use black screws for black posts and stainless steel screws for stainless steel posts.

NOTE: The large rectangular cut out is located at the front of the post near the top.

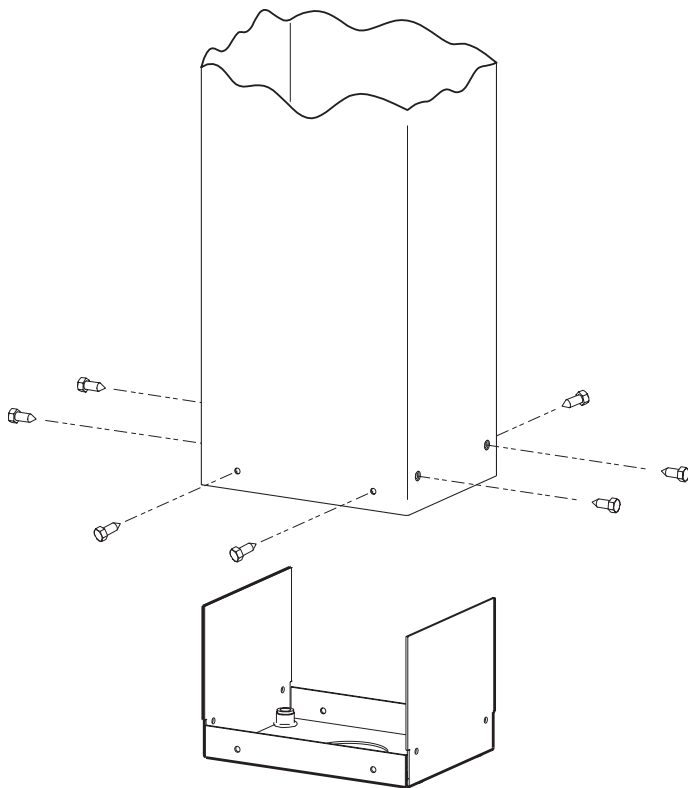


Figure 1

2. Fasten the bottom of the post to the cast base using 1/4 x 1/2 Lock Washers, and 1/4-20 x 1 1/2 Hex Head bolts. See Figure 2. Anchor the cast iron patio base to your patio using the two holes provided in the base. (Hardware not included)
Note: Make sure that the large rectangular cut out is facing in the direction that you want your grill to face.

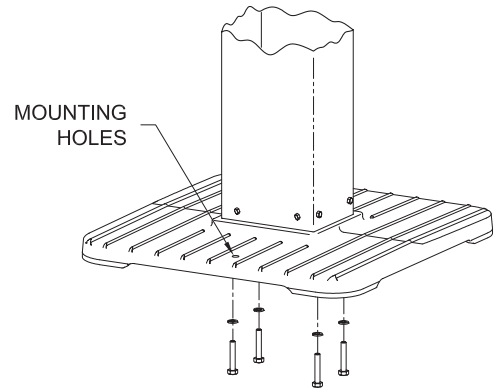


Figure 2

3. Insert the stainless steel flex tube assembly into the post. The inlet side of the gas tubing may protrude from the bottom of the patio base or through the large circular hole in the back of the square post. See Figure 3. Note: Do not attempt to cut or alter the flex tube in any way.

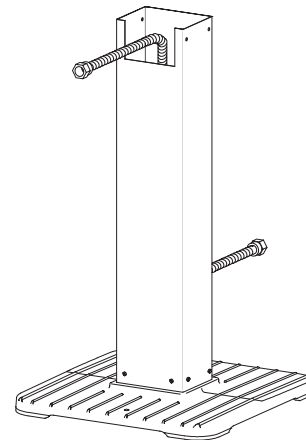


Figure 3

4. Attach the grease cup bracket assembly to the bottom of the grill casting and fasten with #10-24 x 3/4" bolt, 9/32 ID x 5/8 OD washer, and #10-24 wing nut. See Figure 6.

Use only the supplied grease cup or noncombustible containers for the grease cup (aluminum or tin cans). DO NOT use combustible containers such as paper or Styrofoam cups.

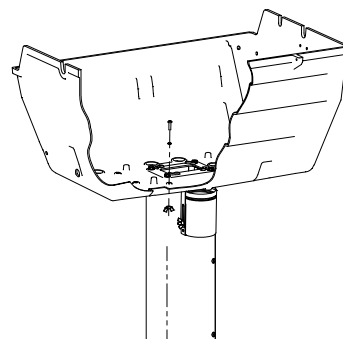


Figure 4

PATIO BASE INSTALLATION

5. **For Grill Heads other than R3 Series, continue on to Step 6.**

For R3 Series Grill Heads: Bend the tabs on the Post Cover Plate to 90° as shown in Figure 5. Two different size cover plates are included with the R3 Series Grill Heads. Choose the plate that will best fit your post.

Note: If using the stainless steel Post Cover Plate, bend the tabs so they face away from the protective film. Remove the protective film after bending the tabs.

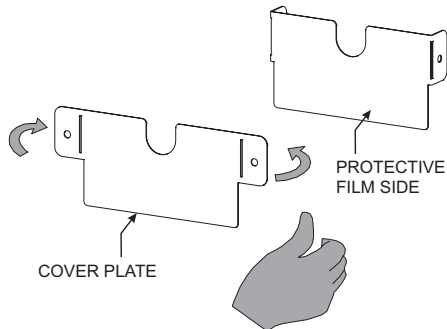


Figure 5

6. **For R3 Series Grill Heads:** Slide the Post Cover Plate onto the front of the post. Slide the Upper Bracket onto the post. Secure the Post Cover Plate and Upper Bracket to the top of the square post using four #10 – 1/2 Self Drill screws for stainless steel posts and 10 x 1/2 Hex Head screws for black posts. See Figures 5 and 6.

For Grill Heads other than R3 Series: Slide the Upper Bracket into the post. Secure the Upper bracket to the top of the square post using four #10 – 1/2 Self Drill screws. See Figure 6.

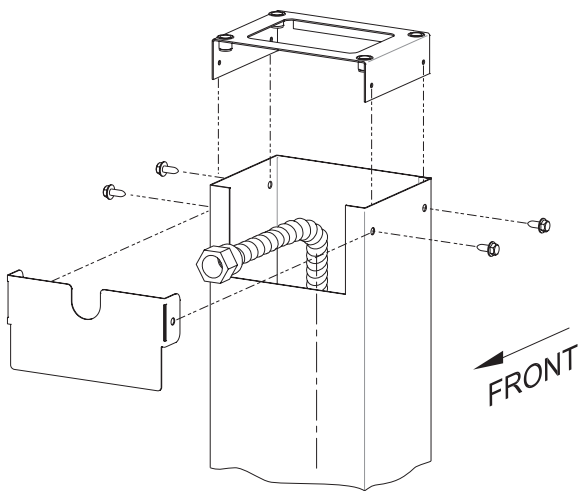


Figure 6

7. Position the grill head onto the post and fasten with 1/4-20 x 3/4 Hex Head Screws and 1/4 x 5/8 Flat Washers. See Figure 7.

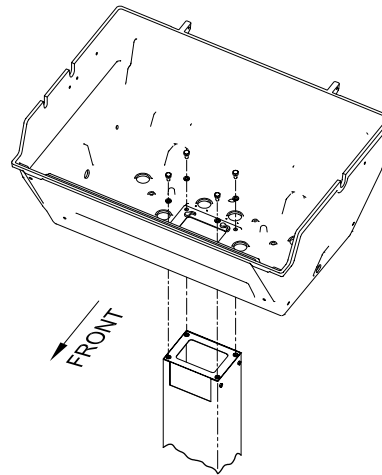


Figure 7

8. Arrange with your local gas company or licensed contractor to have a gas supply line connected to the inlet of the stainless steel flex tube assembly. The gas supply must have a shutoff valve that is close to the post in case of emergency and must be shutoff when the grill is not in use.

Installing old grill head P3 or P4 to new patio post.

A B101668 kit will need to be used to cover the opening in the post. See the instructions with the kit for further installation information.

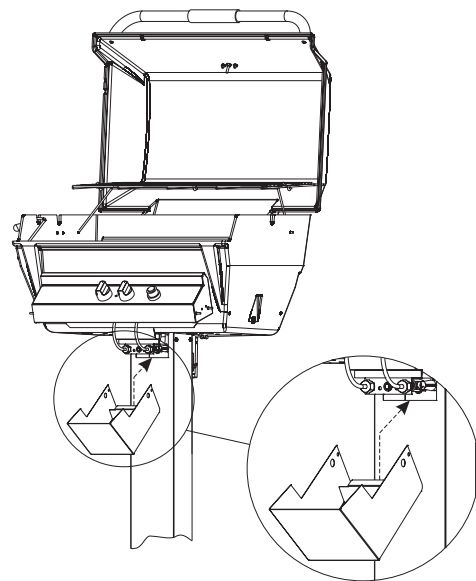


Figure 8

PATIO BASE INSTALLATION

9. Install the post access door and grease cup as shown in Figures 9 and 10.

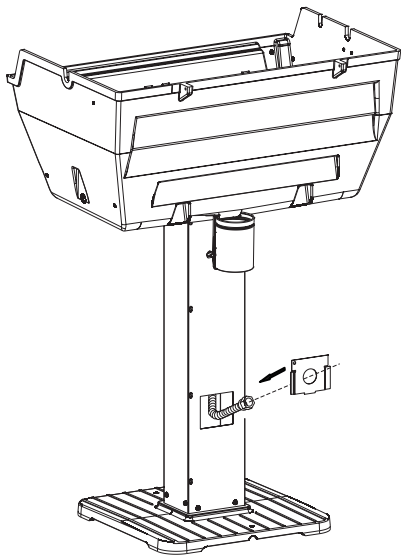
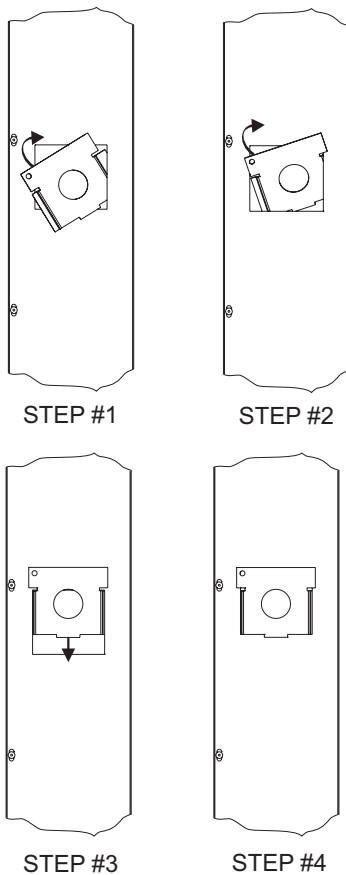


Figure 9

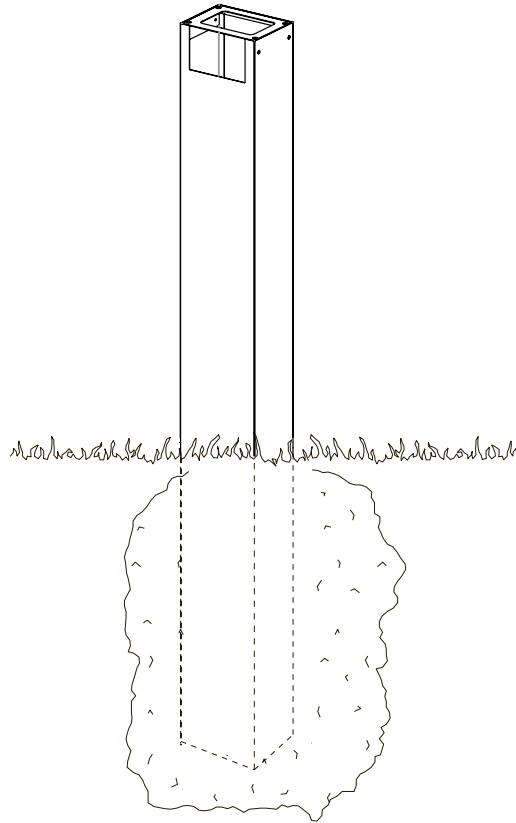


NOTE: GAS LINE REMOVED FOR CLARITY

Figure 10

10. Continue assembly as directed by the Owner's Manual packaged with the grill head.

BL48G-1, SS48G-1 ONE PIECE IN-GROUND POST B101652 TWO PIECE IN-GROUND POST INSTALLATION INSTRUCTIONS



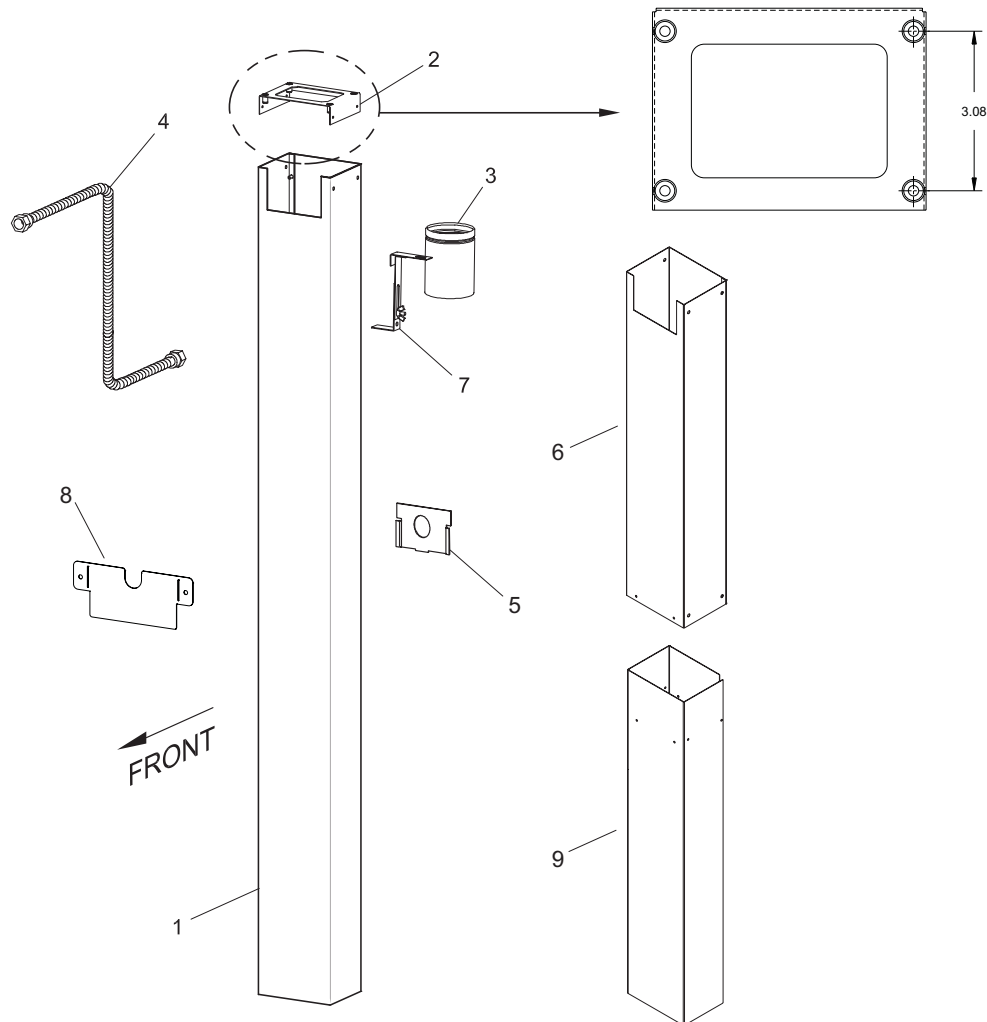
▲ WARNING: THIS IN-GROUND POST IS NOT DESIGNED FOR USE WITH AN LP GAS CYLINDER.

▲ WARNING: SEE YOUR GRILL OWNER'S MANUAL FOR PROPER LOCATION, MINIMUM CLEARANCES, AND OTHER IMPORTANT SAFETY INFORMATION BEFORE PROCEEDING WITH INSTALLATION OF THIS IN-GROUND POST.

VERIFY THAT ALL PARTS LISTED ON THE EXPLODED VIEW OF THIS MANUAL HAVE BEEN INCLUDED IN THIS CARTON BEFORE BEGINNING INSTALLATION.

▲ CAUTION: USE CAUTION WHEN HANDLING PARTS, AS THEY MAY CONTAIN SHARP EDGES. WORK GLOVES ARE RECOMMENDED TO PREVENT INJURY.

IN-GROUND POST EXPLODED VIEW & PARTS LIST



REMOVE PROTECTIVE COATING FROM STAINLESS STEEL PARTS STARTING AT POP RIVETS AND VERIFY THAT ALL PARTS LISTED IN THE EXPLODED VIEW ON THIS PAGE HAVE BEEN INCLUDED BEFORE BEGINNING THIS INSTALLATION.

CAUTION: USE CAUTION WHEN HANDLING PARTS, AS THEY MAY CONTAIN SHARP EDGES.
WORK GLOVES ARE RECOMMENDED TO PREVENT INJURY.

| INDEX NO. | PART NUMBER | | | DESCRIPTION |
|-----------|-------------|---------|---------|------------------------------------|
| | SS48G | B101652 | BL48G | |
| 1 | B101674 | - | B101672 | Post Assembly |
| 2 | B101760 | B101760 | B101760 | Upper Bracket Assembly |
| 3 | B100526 | B101526 | B100526 | Grease Cup |
| 4 | B076519 | B076519 | B076519 | Flex Line |
| 5 | B101630 | B101629 | B101629 | Post Access Door |
| 6 | - | B101644 | - | Post Assembly |
| 7 | B100545 | B100545 | B100545 | Grease Cup Bracket Assembly |
| 8* | - | B101596 | B101596 | Post Cover Plate - Black |
| 8* | B101597 | - | - | Post Cover Plate - Stainless Steel |
| 9 | - | B101654 | - | Post Extension |

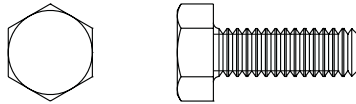
* Post Access Door is used only when installing R3 Series grill head onto post.

All repair part orders should be placed through your local Broilmaster dealer. To locate a dealer in your area, visit www.broilmaster.com and click on the dealer locator. To ensure prompt and accurate service, please provide the following information when placing a repair part order: Model Number, Part Name, Part Number, and Quantity of parts needed.

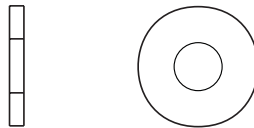
IN-GROUND HARDWARE PACKAGE



HEX HEAD SCREW 10 X 1/2 SELF DRILL



HEX HEAD BOLT 1/4-20 X 3/4



1/4 ID X 5/8 OD FLAT WASHER



HEX HEAD SCREW 10 X 1/2 BLACK

Note: Hardware shown at actual size where possible.

| Description | Quantity Supplied | Notes |
|------------------------------------|-------------------|---------------------|
| HEX HEAD SCREW 10 X 1/2 SELF DRILL | 4 | SS48G-1 Models Only |
| HEX HEAD BOLT 1/4-20 X 3/4 | 4 | |
| 1/4 ID X 5/8 OD FLAT WASHER | 4 | |
| HEX HEAD SCREW 10 X 1/2 BLACK | 4 | BL48G-1 Models Only |

IN-GROUND POST ASSEMBLY

NOTICE: Assemble and install patio base before assembling grill.

The SS48G and BL48G In-Ground Posts are only for use with Broilmaster Gas Grills. Before proceeding with installation read your Owner's Manual for the proper location and minimum clearances to combustible materials for your grill and in-ground post.

Verify that all parts listed in the exploded view of this product have been included before beginning this installation.

Recommended Tools:

- Drill/Driver
- Two adjustable wrenches or a socket set
- A medium Phillips screwdriver
- Pipe thread sealer or Teflon tape (for gas connections)
- Soapy water solution (to test for leaks)

1. For two piece in-ground post using eight 10 x 1/2 Hex Head screws. Use black screws for black posts. For this application, use top set of holes in post assembly. See Figure 1.

NOTE: For SS48G and BL48G models, it is an option to purchase a Post Extension through your Broilmaster Dealer to increase Post Assembly length.

NOTE: The extension is available on the 48" post for applications that may need more height.

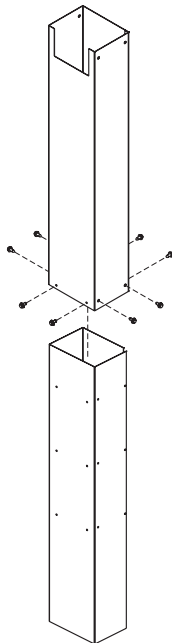


Figure 1

2. Dig a posthole approximately 12" in diameter and 28 3/4" in depth at the desired grill location.

Note: "Normal Installation" height is achieved when the top of the 48" post is 24 3/4" above ground. This height provides a cooking surface height of approximately 34" above ground when grids are placed in the high level.

The gas supply line should be trenched at least 10 inches below the surface of the ground to prevent damage from digging. **CAUTION:** The gas supply line must be regulated (In the case of Natural gas that means connected after your gas meter and regulator) and that you have an easily accessible shut-off valve.

At the access door connect a 3/8" flare coupling (not supplied by Empire) to the gas supply line and stainless steel tubing. Position the tubing in the top notch of the post. Bend the flex tube at the top end to match the Feed Line of the grill valve.

See Figure 2.

Note: Use pipe thread sealant or Teflon tape at the threads of each connection being careful to not allow any of these materials into the flare seat. Test for gas leaks as directed by the grill's Owners Manual

Note: Do not attempt to cut or alter the stainless steel flex tube assembly in any way.

Note: For R Series Grills, a Cover Plate will be supplied, so the Flex Line will have to go through the hole on the cover plate before mounting the Grill bottom.

Carefully lower the in-ground post into the hole using the following guidelines:

- The rectangular cut-out is located near the TOP of the post and should be above ground after installation. See Figure 1.
- The rectangular cut-out must face in the SAME direction as the front of the grill.
- Hole depth and post measurements should be checked to ensure desired height.

Note: Make any adjustments at this time.

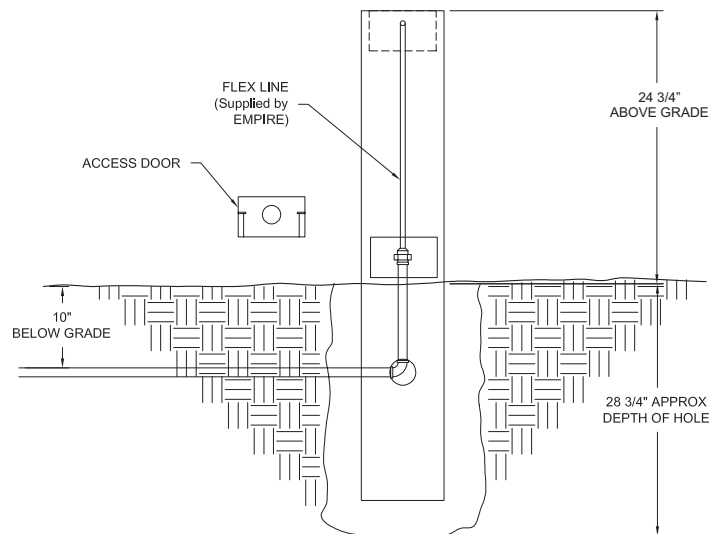


Figure 2

Prepare concrete or a standard pre-mix according to the manufacturer's package directions. Position the 48" post in the center of the hole. A level should be used when aligning the post to achieve precise vertical alignment. Hold the post in place while pouring the concrete mixture into the hole around the post.

IN-GROUND POST ASSEMBLY

- Attach the grease cup bracket assembly to the bottom of the grill casting and fasten with #10-24 x 3/4" bolt, 9/32 ID x 5/8 OD washer, and #10-24 wing nut. See Figure 6.

Use only the supplied grease cup or noncombustible containers for the grease cup (aluminum or tin cans). DO NOT use combustible containers such as paper or Styrofoam cups.

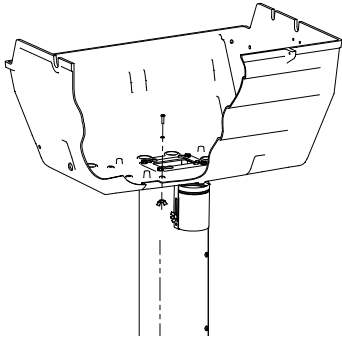


Figure 3

- For Grill Heads other than R3 Series, continue on to Step 5.

For R3 Series Grill Heads: Bend the tabs on the Post Cover Plate to 90° as shown in Figure 4. Two different size cover plates are included with the R3 Series Grill Heads. Choose the plate that will best fit your post.

Note: If using the stainless steel Post Cover Plate, bend the tabs so they face away from the protective film. Remove the protective film after bending the tabs.

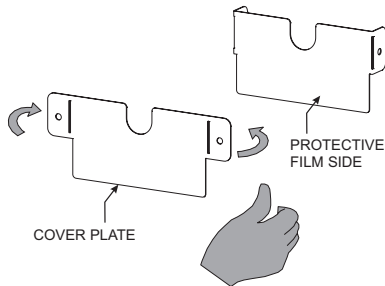


Figure 4

- For R3 Series Grill Heads: Slide the Post Cover Plate onto the front of the post. Slide the Upper Bracket onto the post. Secure the Post Cover Plate and Upper Bracket to the top of the square post using four #10 - 1/2 Hex Head screws. See Figure 5.

For Grill Heads other than R3 Series: Slide the Upper Bracket into the post. Secure the Upper bracket to the top of the square post using four #10 - 1/2 screws. See Figure 5.

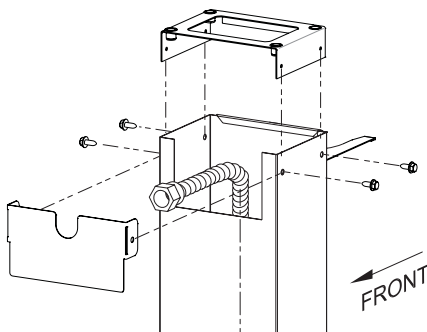


Figure 5

Note: Grill top comes assembled to the bottom. For ease of assembly, remove grill top.

- Place the grill bottom on top of the post and secure the grill bottom to the post by placing four 1/4-20 x 3/4 Hex Head screws and 1/4 x 5/8 Flat Washers in the threaded inserts that are in the upper bracket. See Figure 6.

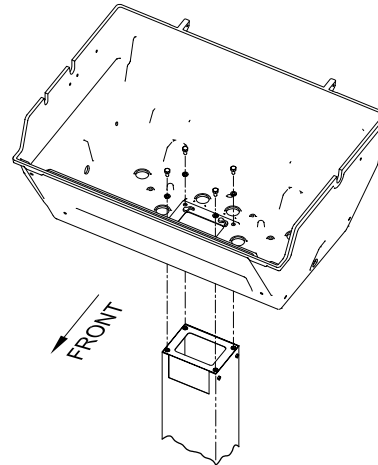


Figure 6

Installing old grill head P3 or P4 to new patio post.

A B101668 kit will need to be used to cover the opening in the post. See the instructions with the kit for further installation information.

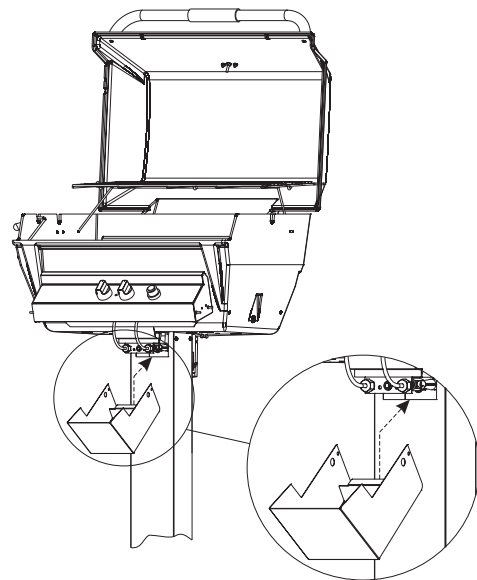


Figure 7

IN-GROUND POST ASSEMBLY

7. Arrange with your local gas company or licensed contractor to have a gas supply line connected to the inlet of the stainless steel flex tube assembly. The gas supply must have a shutoff valve that is close to the post in case of emergency and must be shutoff when the grill is not in use. See Figure 8.

The grill and its individual shutoff valves must be disconnected from the gas supply piping system during any pressure testing of that system at test pressures in excess of 1/2 PSIG. The grill must be isolated from the gas supply piping system by closing its individual manual shutoff valves during any pressure testing of the gas supply piping system at test pressures equal to or less than 1/2 PSIG.

⚠ WARNING: DO NOT SUPPLY LP GAS TO A GRILL DESIGNED FOR NATURAL GAS OR NATURAL GAS TO A GRILL DESIGNED FOR LP GAS.

Gas leak tests should be completed as directed in the grill Owner's Manual.

Completely fill remaining hole with soil.

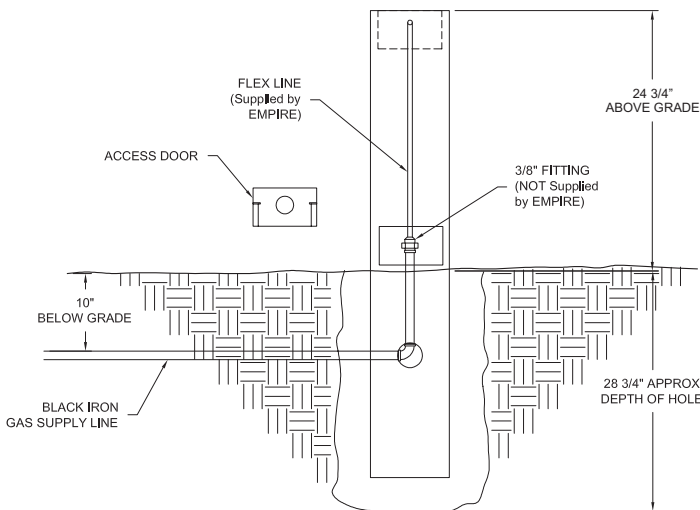


Figure 8

8. Install the post access door and grease cup as shown in Figures 9 and 10.

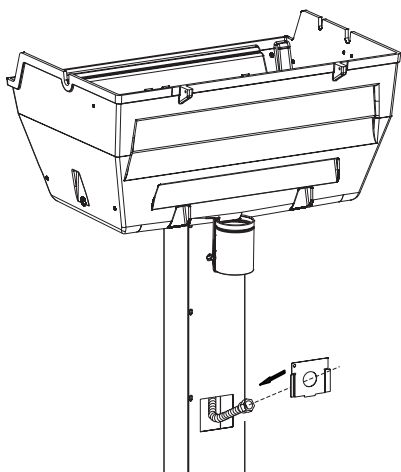
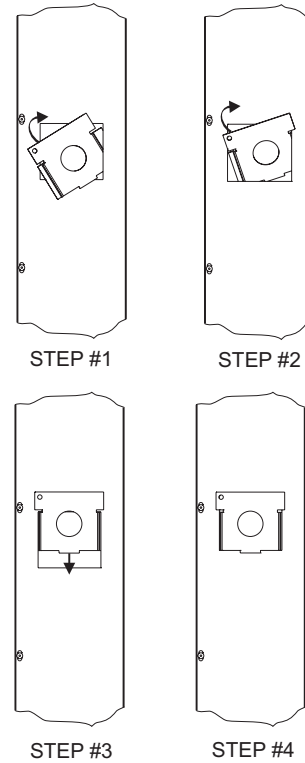


Figure 9



NOTE: GAS LINE REMOVED FOR CLARITY

Figure 10

9. Continue assembly as directed by the Owner's Manual packaged with the grill head.

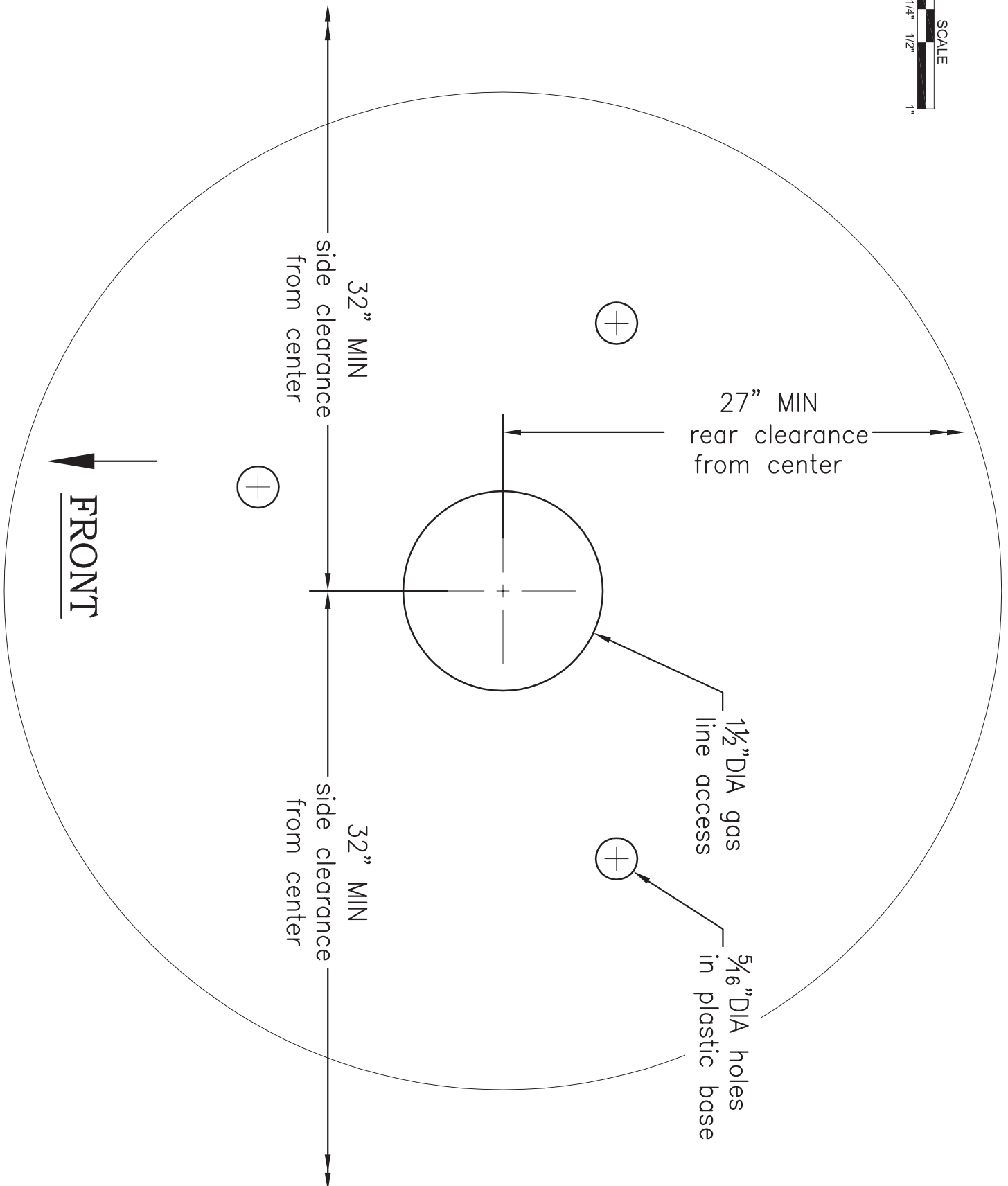
Test for gas leaks as directed by the grill's Owners Manual. The grill and its individual shutoff valves must be disconnected from the gas supply piping system during any pressure testing of that system at test pressures in excess of 1/2 PSIG. The grill must be isolated from the gas supply piping system by closing its individual manual shutoff valves during any pressure testing of the gas supply piping system at test pressures equal to or less than 1/2 PSIG.

⚠ WARNING: DO NOT SUPPLY LP GAS TO A GRILL DESIGNED FOR NATURAL GAS OR NATURAL GAS TO A GRILL DESIGNED FOR LP GAS.

Gas leak tests should be completed as directed in the grill owner's manual.

PCB1-2 / DCB1-2

Template for mounting holes





BROILMASTER®

A Division of Empire Comfort Systems, Inc.

918 Freeburg Ave.

Belleville, Illinois 62220

Phone: 1-800-851-3153

FAX: 1-800-443-8648

VISIT OUR WEB SITE AT www.broilmaster.com

RETAIN OWNER'S MANUAL FOR FUTURE REFERENCE.

Free Manuals Download Website

<http://myh66.com>

<http://usermanuals.us>

<http://www.somanuals.com>

<http://www.4manuals.cc>

<http://www.manual-lib.com>

<http://www.404manual.com>

<http://www.luxmanual.com>

<http://aubethermostatmanual.com>

Golf course search by state

<http://golfingnear.com>

Email search by domain

<http://emailbydomain.com>

Auto manuals search

<http://auto.somanuals.com>

TV manuals search

<http://tv.somanuals.com>