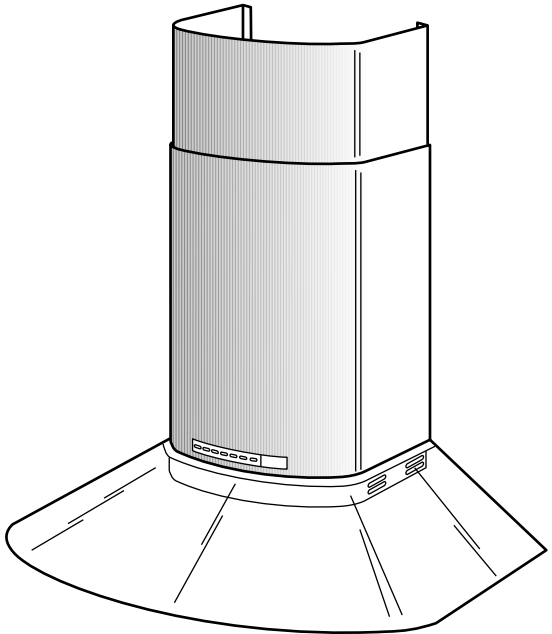




by

RANGEMASTER

Model 629004



BROAN MFG. CO., INC.
926 W. State St. Hartford, WI 53027

04306121
99042528A

READ AND SAVE THESE INSTRUCTIONS

WARNING

TO REDUCE THE RISK OF FIRE, ELECTRICAL SHOCK, OR INJURY TO PERSONS, OBSERVE THE FOLLOWING:

1. Use this unit only in the manner intended by the manufacturer. If you have questions, contact the manufacturer at the address or telephone number listed in the warranty.
2. Before servicing or cleaning unit, switch power off at service panel and lock service panel to prevent power from being switched on accidentally. When the service disconnecting means cannot be locked, securely fasten a prominent warning device, such as a tag, to the service panel.
3. Installation work and electrical wiring must be done by a qualified person(s) in accordance with all applicable codes and standards, including fire-rated construction codes and standards.
4. Sufficient air is needed for proper combustion and exhausting of gases through the flue (chimney) of fuel burning equipment to prevent backdrafting. Follow the heating equipment manufacturer's guidelines and safety standards such as those published by the National Fire Protection Association (NFPA), and the American Society for Heating, Refrigeration and Air Conditioning Engineers (ASHRAE), and the local code authorities.
5. When cutting or drilling into wall or ceiling, do not damage electrical wiring and other hidden utilities.
6. Ducted fans must always be vented to the outdoors.
7. Do not use this unit with any solid-state speed control device.
8. To reduce the risk of fire, use only steel ductwork.
9. This unit must be grounded.

TO REDUCE THE RISK OF A RANGE TOP GREASE FIRE:

1. Keep fan, filters and grease laden surfaces clean.
2. Always turn hood ON when cooking at high heat.
3. Use high range settings on range only when necessary. Heat oil slowly on low to medium setting.
4. Don't leave range unattended when cooking.
5. Always use cookware and utensils appropriate for the type and amount of food being prepared.

WARNING

TO REDUCE THE RISK OF INJURY TO PERSONS IN THE EVENT OF A RANGE TOP GREASE FIRE, OBSERVE THE FOLLOWING:*

1. SMOTHER FLAMES with a close-fitting lid, cookie sheet, or metal tray, then turn off the burner. BE CAREFUL TO PREVENT BURNS. If the flames do not go out immediately, EVACUATE AND CALL THE FIRE DEPARTMENT.
2. NEVER PICK UP A FLAMING PAN - You may be burned.
3. DO NOT USE WATER, including wet dishcloths or towels - violent steam explosion will result.
4. Use an extinguisher ONLY if:
 - A. You know you have a Class ABC extinguisher and you already know how to operate it.
 - B. The fire is small and contained in the area where it started.
 - C. The fire department is being called.
 - D. You can fight the fire with your back to an exit.

* Based on "Kitchen Fire Safety Tips" published by NFPA.

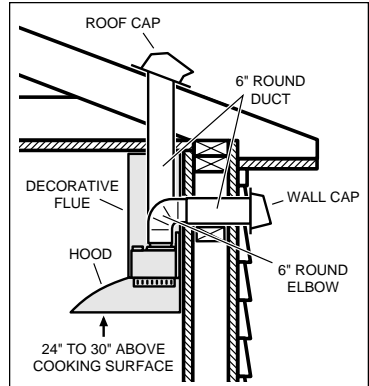
CAUTION

1. For general ventilating use only. Do not use to exhaust hazardous or explosive materials and vapors.
2. To avoid motor bearing damage and noisy and/or unbalanced impellers, keep drywall spray, construction dust, etc. off power unit.
3. Your hood motor has a thermal overload which will automatically shut off the motor if it becomes overheated. The motor will restart when it cools down. If the motor continues to shut off and restart, have the hood serviced.
4. For best capture of cooking impurities, the bottom of the hood should be a minimum of 24" and a maximum of 30" above the cooking surface.
5. Two installers are recommended because of the large size and weight of this hood.
6. Please read specification label on product for further information and requirements.

INSTALL THE DUCTWORK

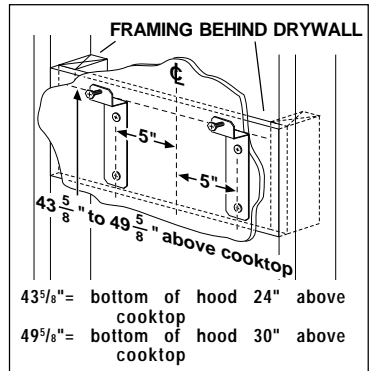
NOTE: To reduce the risk of fire, use only steel ductwork.

1. Decide where the ductwork will run between the hood and the outside.
2. A straight, short duct run will allow the hood to perform most efficiently.
3. Long duct runs, elbows, and transitions will reduce the performance of the hood. Use as few of them as possible.
4. Install a roof or wall cap. Connect 6" round steel ductwork to cap and work back towards hood location. Use duct tape to seal the joints between ductwork sections.



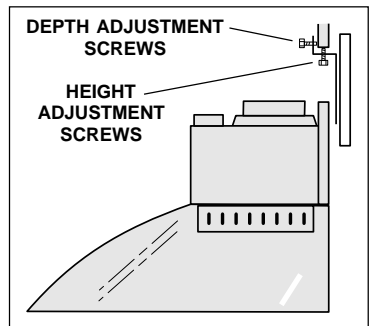
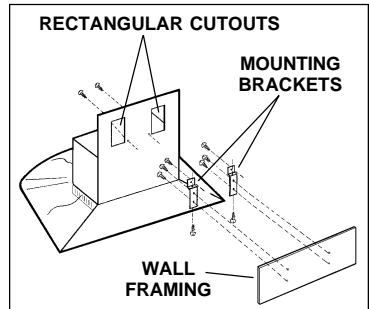
INSTALL MOUNTING BRACKETS

1. Construct wood wall **framing** that is flush with interior surface of wall studs.
Make sure:
 - a) the framing is centered over installation location.
 - b) the height of the framing will allow the **mounting brackets** to be secured to the framing within the dimensions shown.
2. After wall surface is finished, secure mounting brackets to framing at dimensions shown, using screws provided.



INSTALL THE HOOD

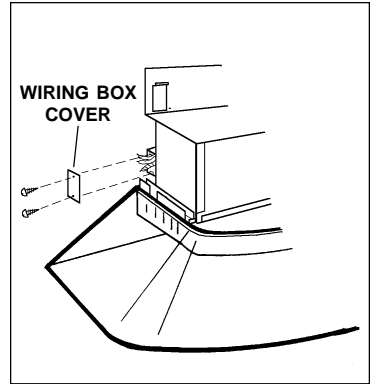
1. Hang the hood from the brackets through the **rectangular cut-outs** on the back of the hood. Cut-outs are larger than the brackets to allow for horizontal adjustment.
The bottom of the hood should be 24" to 30" above the cooking surface.
2. **Height adjustment screws** provide vertical adjustment.
3. **Depth adjustment screws** provide horizontal adjustment.
4. Secure the hood with **additional mounting screws**. Use drywall anchors, provided, if wall studs or framing are not available.



WIRING

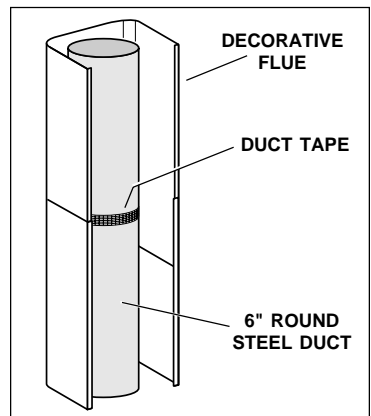
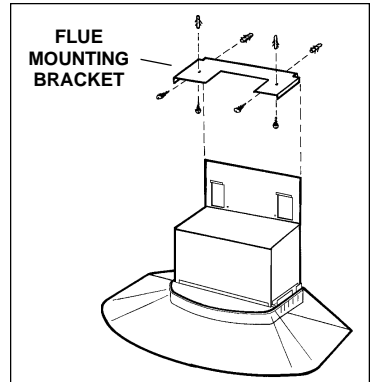
Note: This range hood must be properly grounded. The unit should be installed by a qualified electrician in accordance with all applicable national and local electrical codes.

1. Remove the **wiring box cover**. Remove a knockout from the wiring box.
2. Feed 6" of power cable through the knockout opening and secure cable to the wiring box with an appropriate connector.
3. Make electrical connections. Connect white to white, black to black and green to green.
4. Replace wiring box cover and screws. Make sure that wires are not pinched between cover and box.



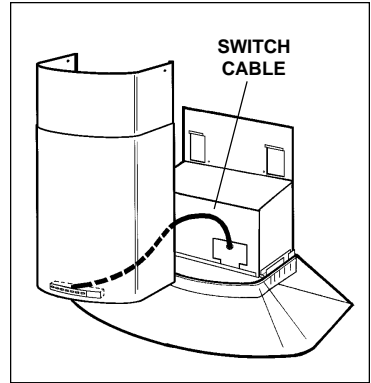
CONNECT DUCTWORK

1. Use screws and wall anchors (provided) to secure **flue mounting bracket** to the ceiling and wall as shown.
2. Use **6" round steel duct** to connect the duct collar on the hood to the ductwork above.
3. Use **duct tape** to make all joints secure and air tight.

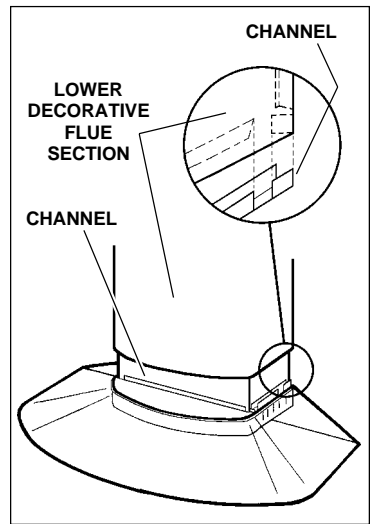


INSTALL DECORATIVE FLUE

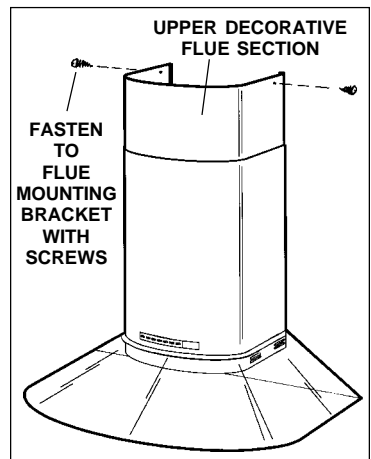
1. Hold the decorative flue near the top of the hood. Connect the **switch cable** from the hood to the decorative flue, as shown.



2. Slide the **lower decorative flue section** downward and into the **channels** on the hood.



3. Raise **upper decorative flue section** and attach it to the **flue mounting bracket** with screws (supplied).

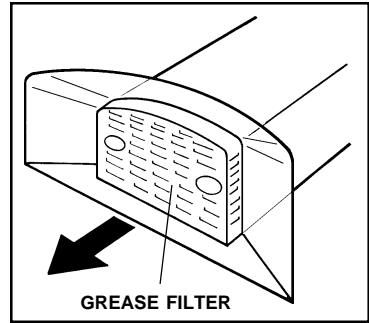


MAINTENANCE

Grease Filter

Clean the **grease filter** frequently.
Remove the grease filter by pulling it downward.
Use a warm detergent solution. Grease filters are dishwasher safe.

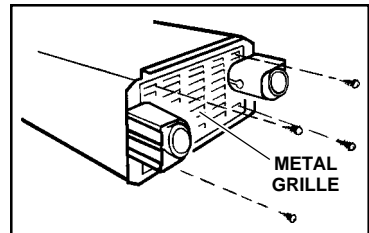
Note: Avoid damage to bulbs by carefully aligning filter openings with bulbs.



Interior Hood Cleaning

DISCONNECT POWER TO HOOD BEFORE CLEANING!

1. Remove the grease filter as shown above.
2. Remove the light bulbs. (See "HALOGEN BULBS" on next page.)
3. Remove the **metal grille** held in place with four (4) screws.
4. Use a soft cloth and mild detergent solution to wipe interior surfaces clean.



Exterior Hood Cleaning

Stainless steel is one of the easiest materials to keep clean. Occasional care will help preserve its fine appearance.

Cleaning tips:

- Hot water with soap or detergent is all that is usually needed.
- Follow all cleaning by rinsing with clear water. Wipe dry with a clean, soft cloth to avoid water marks.
- For discolorations or deposits that persist, use a non-scratching household cleanser or stainless steel polishing powder with a little water and a soft cloth.
- For stubborn cases, use a plastic scouring pad or soft bristle brush together with cleanser and water. Rub lightly in direction of polishing lines or "grain" of the stainless finish. Avoid using too much pressure which may mar the surface.
- **DO NOT** allow deposits to remain for long periods of time.
- **DO NOT** use ordinary steel wool or steel brushes. Small bits of steel may adhere to the surface causing rust.
- **DO NOT** allow salt solutions, disinfectants, bleaches, or cleaning compounds to remain in contact with stainless steel for extended periods. Many of these compounds contain chemicals which may be harmful. Rinse with water after exposure and wipe dry with a clean cloth.

Painted surfaces should be cleaned with warm water and mild detergent only.

Glass Cleaning

Use a soft cloth and a glass cleaning solution only!
DO NOT use abrasive cloths, steel wool, or scouring pads.
DO NOT use strong cleaning solutions or abrasive powders.

OPERATION

Controls

The hood is operated using the (7) push-buttons located at eye-level, on the front of the decorative flue.

The **light switch** turns the halogen lights on and off.

The **blower on-low / off switch** turns the blower on to its previous running speed. The blower must be turned on using this switch. Turn the blower off by pressing this switch a second time.

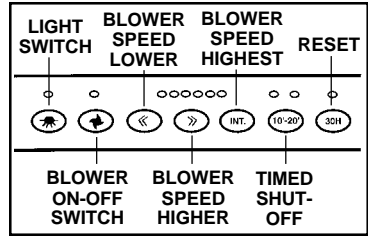
The **blower speed lower** switch lowers the blower's running speed. This switch works only when the blower is already running.

The **blower speed higher** switch raises the blower's running speed. This switch works only if the blower is already running.

The **blower speed highest** switch turns the blower on to its highest running speed. This switch works at any time.

The **timed shut-off** switch allows the blower to run for 10 or 20 minutes before shutting itself off. Push the switch once to set for 10 minutes - twice to set for 20 minutes. This switch works only if the blower is running.

The pilot light above the **reset switch** will light after the blower has run for 30 hours. This is a reminder to clean the grease filter. Once the grease filter has been cleaned and replaced, push the reset switch to turn out the pilot light and start a new 30-hour count.

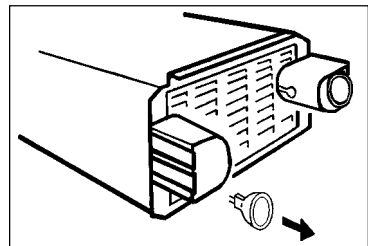


HALOGEN BULBS

This range hood requires two halogen bulbs (Type MR16, 12V, 20W).

To change bulbs:

1. Remove the grease filter.
2. Remove bulbs by pulling them straight downward. Do not rotate bulbs.
3. Replace bulbs by aligning the bulb's pins with the receptacle holes and pushing bulb upward.



WARRANTY

BROAN ONE YEAR LIMITED WARRANTY

Broan warrants to the original consumer purchaser of its products that such products will be free from defects in materials or workmanship for a period of one year from the date of original purchase. THERE ARE NO OTHER WARRANTIES, EXPRESS OR IMPLIED, INCLUDING, BUT NOT LIMITED TO, IMPLIED WARRANTIES OR MERCHANT ABILITY OR FITNESS FOR A PARTICULAR PURPOSE.

During this one-year period, Broan will, at its option, repair or replace, without charge, any product or part which is found to be defective under normal use and service.

THIS WARRANTY DOES NOT EXTEND TO FLUORESCENT LAMP STARTERS AND TUBES. This warranty does not cover (a) normal maintenance and service or (b) any products or parts which have been subject to misuse, negligence, accident, improper maintenance or repair (other than by Broan), faulty installation or installation contrary to recommended installation instructions.

The duration of any implied warranty is limited to the one-year period as specified for the express warranty. Some states do not allow limitation on how long an implied warranty lasts, so the above limitation may not apply to you.

BROAN'S OBLIGATION TO REPAIR OR REPLACE, AT BROAN'S OPTION, SHALL BE THE PURCHASER'S SOLE AND EXCLUSIVE REMEDY UNDER THIS WARRANTY. BROAN SHALL NOT BE LIABLE FOR INCIDENTAL, CONSEQUENTIAL OR SPECIAL DAMAGES ARISING OUT OF OR IN CONNECTION WITH PRODUCT USE OR PERFORMANCE. Some states do not allow the exclusion or limitation of incidental or consequential damages, so the above limitation or exclusion may not apply to you.

This warranty gives you specific legal rights, and you may also have other rights, which vary from state to state. This warranty supersedes all prior warranties.

To qualify for warranty service, you must (a) notify Broan at the address stated below or telephone: 1-800-637-1453, (b) give the model number and part identification and (c) describe the nature of any defect in the product or part. At the time of requesting warranty service, you must present evidence of the original purchase date.

BROAN MFG. CO., INC., 926 West State Street Hartford, WI 53027

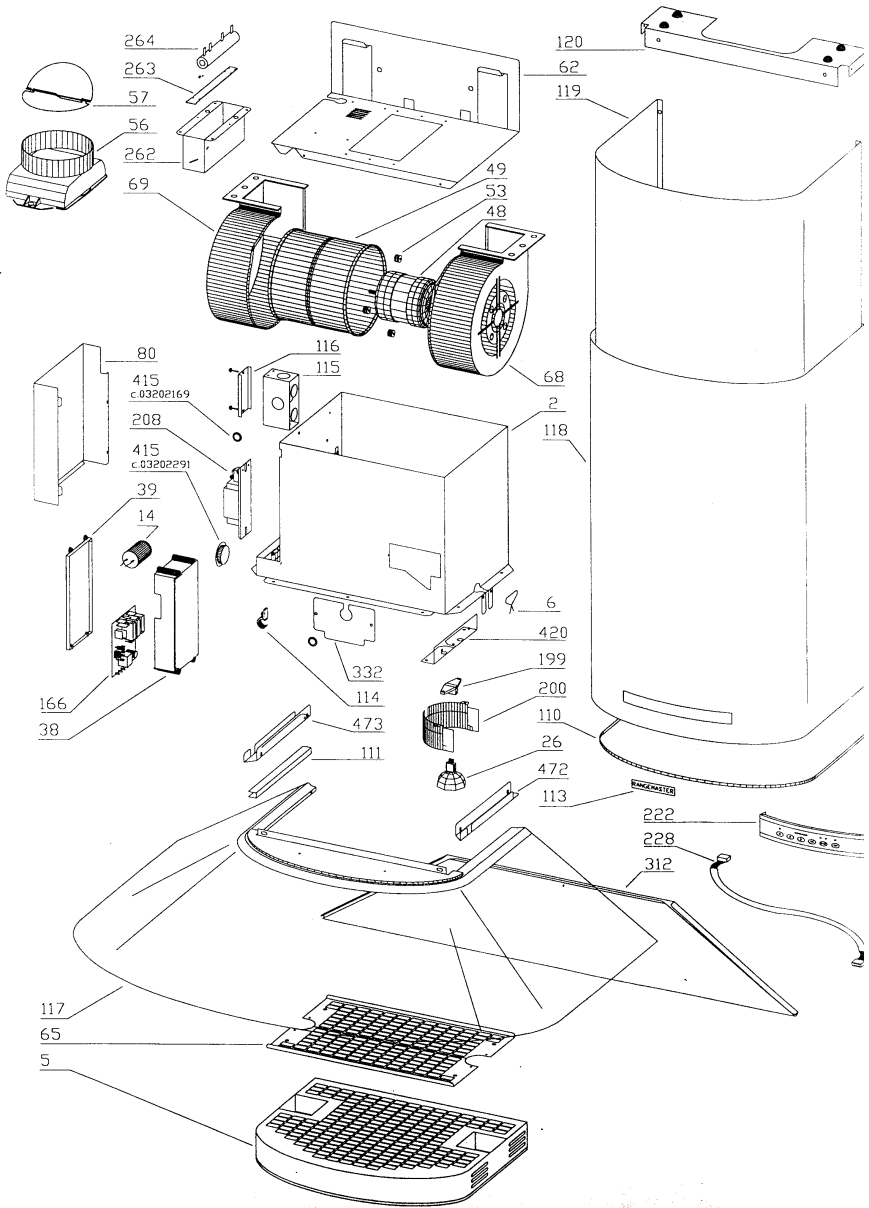
SERVICE PARTS

62000 SERIES RANGE HOOD

KEY NO.	PART NO.	DESCRIPTION
5	BE3401653	Filter Assembly
6	B02002340	Filter Spring
14	B02300730	Motor Capacitor
26	B02300668	Halogen Lamp Bulb
38	B03292344	Control Board Box
39	B03294033	Control Board Cover
48	B082300521	Motor
49	B03295000	Blower Wheel
53	B03202007	Rubber Washer
56	B03292292	Duct Connector
57	B02000756	Damper Flap
68	B02000295	Right Blower Housing
69	B02000296	Left Blower Housing
80	BE3334543	Wiring Cover
110	B03202430	Flue Gasket
113	99090857	Nameplate
115	BE3334250	Wiring Box
116	BE3334252	Wiring Box Cover
117	B08087279	Glass Shelf
118	B003181863	Decorative Flue Bottom
119	BE3400561	Decorative Flue Top
120	BE3334555	Flue Mounting Bracket
166	B08086610	Control Board
199	B02300727	Lamp Socket
200	B03292296	Lamp Shroud
208	B02300717	Transformer
222	B08088319	Switch Assembly
228	B02300206	Switch Cable
312	BE3401651	Back Panel
*	B06001769	Blower Assembly (Includes Key Nos. 48, 49, 53, 68, 69)
*	B06106290	Control Board Assembly (Includes Key Nos. 38, 39, 166)
*	B06106272	Motor Capacitor Assembly w/ Wires (Includes Key No. 14 & Wires)

SERVICE PARTS

62000 SERIES RANGE HOOD



Free Manuals Download Website

<http://myh66.com>

<http://usermanuals.us>

<http://www.somanuals.com>

<http://www.4manuals.cc>

<http://www.manual-lib.com>

<http://www.404manual.com>

<http://www.luxmanual.com>

<http://aubethermostatmanual.com>

Golf course search by state

<http://golfingnear.com>

Email search by domain

<http://emailbydomain.com>

Auto manuals search

<http://auto.somanuals.com>

TV manuals search

<http://tv.somanuals.com>