



EXPERIENCE THE RHYTHM OF YOUR LIFE

BA-650-0W and BA-650-0B Resonate Outdoor Speakers



Owners Manual

Resonate Outdoor Speaker Installation Guide

Congratulations on your purchase of the BreatheAudio Resonate Outdoor Speakers. A durable mineral filled, UV –resistant cabinet and powder –coated aluminum grill are able to withstand the elements and through careful design, are capable of superior audio reproduction. The secret is in a honeycomb pattern molded into the enclosure that provides important rigidity and high quality 12dB crossover that greatly enhances the audio output of the speakers. The result is greatly increased bass and treble response that will heighten any listening experience.

Speaker Placement

Proper placement of the speakers is crucial to enjoying the benefits of the Resonate Outdoor Speakers. Consider the optimal listening area. The speakers should ideally be placed facing that area with 8 – 10 feet of separation or if you are using the stereo speakers try to center it within the space. The on-wall bracket provided with the speakers allows them to be angled ideally at the ear level of the listener.

Properly Mounting the Speakers

Each speaker is shipped with two types of mounts. One is a tripod that allows each speaker to sit on a tabletop or shelf. The other is a U-shaped bracket that is designed for mounting the speakers on a wall.

Tabletop Mount

To use the included tabletop mount, locate the bottom of the speaker. This is the inset mounting screw with a small hole positioned next to it. This is designed to receive the small peg molded on the top of the tripod. The speaker and the tripod also have corresponding bevels that interlock. Line up the peg with the hole and the interlocking bevels on both the stand and speaker and secure the stand to the speaker with the included end cap, fig. 1. Once secured the speaker will stand upright on any level surface.

Wall Mounting

A U-shaped bracket is shipped with each speaker designed for mounting the speaker horizontally on a wall. The beveled surfaces on the inside of the mount and on the exterior ends of the speaker allow the speaker to be tightened and angled appropriately toward the listening area. The end caps provided with the speakers tighten the bracket to the speaker enclosure to hold the speaker at the desired angle, fig. 2.

Fig. 1

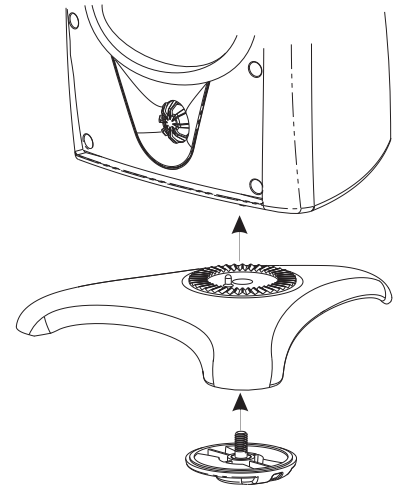
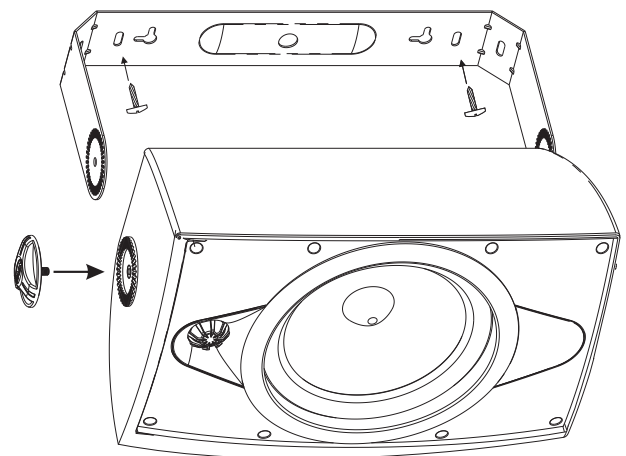


Fig. 2



Corner Mounting

The wall brackets have an angle designed for mounting the speakers across a 90° inside corner. This is very useful within an enclosed patio area or angling the speakers into a room, fig. 3.

Optional Omni Mount (not included)

The top of each speaker cabinet has a pair of inset screws designed for use with the Omni Mount 20.5 ball mount. This is useful for mounting the speakers vertically rather than horizontally. The mount consists of two pieces. One that screws to the speaker enclosure and one that is mounted on the wall. The wall mount has a two-piece mechanism that tightens around a ball on the end of the speaker mount. This allows the speaker to be placed at the appropriate angle and tightened holding its placement, fig. 4.

Making the Connection

Positive and negative spring loaded connection terminals are located on the back of each speaker. Note that the stereo speakers have two pairs of terminals to accept both left and right signals. The terminals are color coded red for the positive signal and black for the negative signal, fig 5. For this purpose, many pairs of speaker wires utilize red and black shielding for easily identifying the positive and negative leads. Other speaker wires use a copper wire for positive and white tinted copper wire for negative.

Once the installation is complete, your speakers should be fully operational. Should you have no audio from the speakers, make sure the speaker wires did not become disconnected from the terminal posts, or that there is not a short in the speaker wire.

Fig. 3

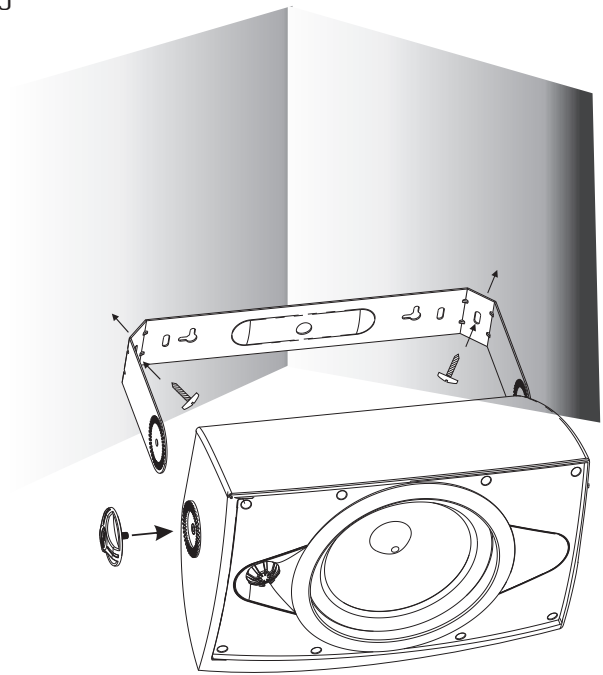


Fig. 4

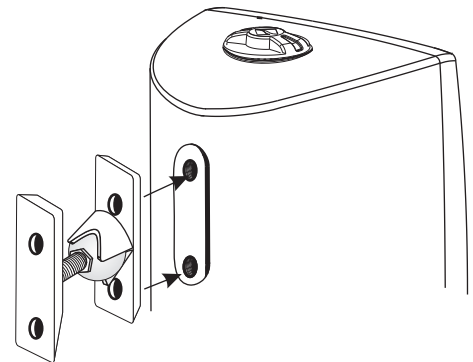
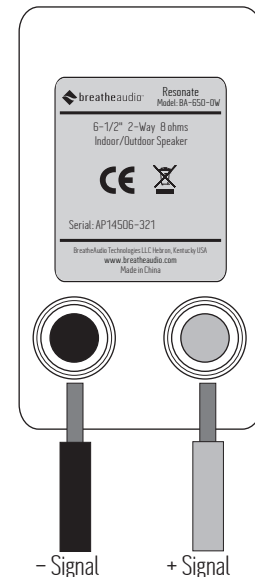


Fig. 5





Specifications

Breatheaudio Outdoor Speaker

SYSTEM	BA-650-0B	BA-650-0W	BA-650-0SB	BA-650-0SW
Description	Resonate 6.5" Black Outdoor Loudspeaker	Resonate 6.5" White Outdoor Loudspeaker	Resonate 6.5" Black Stereo Outdoor Loudspeaker	Resonate 6.5" White Stereo Outdoor Loudspeaker
Power Rating:	50W	50W	40W x 2	40W x 2
Impedance	8 ohm	8 ohm	8 ohm x 2	8 ohm x 2
Efficiency	88dB 1W/1M	88dB 1W/1M	88dB 1W/1M	88dB 1W/1M
Frequency Response	60Hz-20KHz +/-3dB	60Hz-20KHz +/-3dB	60Hz-20KHz +/-3dB	60Hz-20KHz +/-3dB
Tweeter Crossover	12dB	12dB	12dB	12dB
Woofer Crossover	N/A	N/A	N/A	N/A
Cabinet material	Mineral Filled Polyethylene	Mineral Filled Polyethylene	Mineral Filled Polyethylene	Mineral Filled Polyethylene
Grill material	Powder Coated Aluminum	Powder Coated Aluminum	Powder Coated Aluminum	Powder Coated Aluminum
Bracket material	Powder Coated Steel	Powder Coated Steel	Powder Coated Steel	Powder Coated Steel
Dimension:(H*W*D)	13"x7 5/8"x7 1/2" 330mmx193mmx190mm	13"x7 5/8"x7 1/2" 330mmx193mmx190mm	13"x7 5/8"x7 1/2" 330mmx193mmx190mm	13"x7 5/8"x7 1/2" 330mmx193mmx190mm
Depth w/bracket	8" (205mm)	8" (205mm)	8" (205mm)	8" (205mm)
Weight (Unit)	7.50lbs(3.40kg)	7.50lbs(3.40kg)	7.50lbs(3.40kg)	7.50lbs(3.40kg)
WOOFER				
Magnet Structure	Ferrite, 13oz (370g) Flat Back Plate	Ferrite, 13oz (370g) Flat Back Plate	Ferrite, 13oz (370g) Flat Back Plate	Ferrite, 13oz (370g) Flat Back Plate
Voice Coil	1" (25mm) Polyimide Film	1" (25mm) Polyimide Film	1" (25mm) Polyimide Film	1" (25mm) Polyimide Film
Cone	6.5" (165mm) Polypropylene	6.5" (165mm) Polypropylene	6.5" (165mm) Polypropylene	6.5" (165mm) Polypropylene
Surround	Butyl Rubber	Butyl Rubber	Butyl Rubber	Butyl Rubber
Dust Cover	Polypropylene	Polypropylene	Polypropylene	Polypropylene
TWEETER				
Magnet	Neodymium	Neodymium	Neodymium	Neodymium
Dome	PEI (Polyetherimide), 3/4" (19mm)	PEI (Polyetherimide), 3/4" (19mm)	PEI (Polyetherimide), 3/4" (19mm)	PEI (Polyetherimide), 3/4" (19mm)
Type	Fixed Position	Fixed Position	Fixed Position	Fixed Position



2395 Arbor Tech Drive
Hebron, KY 41048 USA
859.817.7200
www.breatheaudio.com

Free Manuals Download Website

<http://myh66.com>

<http://usermanuals.us>

<http://www.somanuals.com>

<http://www.4manuals.cc>

<http://www.manual-lib.com>

<http://www.404manual.com>

<http://www.luxmanual.com>

<http://aubethermostatmanual.com>

Golf course search by state

<http://golfingnear.com>

Email search by domain

<http://emailbydomain.com>

Auto manuals search

<http://auto.somanuals.com>

TV manuals search

<http://tv.somanuals.com>