



Service Manual for:

# NCL Century Series

## Public Use Wheelchair Lifts

### Series 03

#### DOT — Public Use Lift

“DOT — Public Use Lift” verifies that this platform lift meets the “public use lift” requirements of FMVSS No. 403. This lift may be installed on all vehicles appropriate for the size and weight of the lift, but must be installed on buses, school buses, and multi-purpose passenger vehicles other than motor homes with a gross vehicle weight rating (GVWR) that exceeds 4,536 kg (10,000 lb).

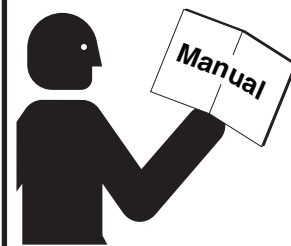


“Providing Access to the World”<sup>®</sup>

International Corporate Hdqrs: P.O. Box 310 Winamac, IN 46996 USA  
1-800-THE LIFT<sup>®</sup> (574) 946-6153 FAX: (574) 946-4670



#### WARNING



Read manual before installing or servicing lift. Failure to do so may result in serious bodily injury and/or property damage.

Braun NCL Series

32221

January

2006

Patent #5,261,779

Patent #6,065,924

Patent #6,238,169

Patent #6,464,447

Patent #6,599,079

Patent #6,692,217

Patent #6,739,824

Patents Pending

## Congratulations

We at The Braun Corporation wish to express our fullest appreciation on your new purchase. With you in mind, our skilled craftsmen have designed and assembled the finest lift available.

This manual provides service-related material. Refer to the FMVSS No. 403 Quick Reference Installation Sheet for installation instructions, operating instructions and maintenance procedures.

Braun Century Series™ lifts are built for dependability and will provide years of pleasure and independence as long as the lift is installed and serviced as specified by a Braun certified technician, and the lift is operated by an instructed person.

Sincerely,  
THE BRAUN CORPORATION

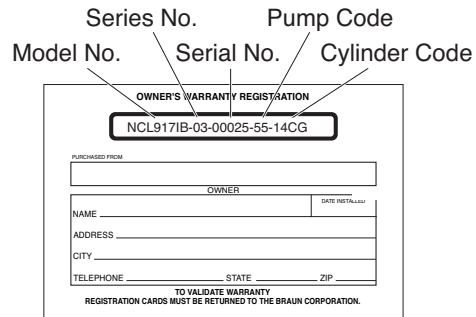


Ralph W. Braun  
Chief Executive Officer

### Warranty and Registration Instructions

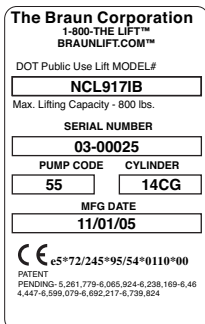
Immediately upon receiving the lift, examine the unit for any damage. Notify the carrier at once with any claims.

Two warranty/registration cards (shown right) are located in the lift-mounted manual storage pouch. The sales representative must process one of the cards. The consumer must fill out the other card and mail it to The Braun Corporation. The warranty is provided on the back cover of this manual. **The warranty cards must be processed to activate the warranty.**



Sample Warranty/Registration Card

Two Braun Serial No./Series No. identification tags (shown below) are posted on the lift. One I.D. tag is posted on the opposite pump side vertical arm. A second I.D. tag is located on the opposite pump side tower. Both I.D. tags provide the product identification information provided on the warranty/registration card. Record the information in the space provided (or document on a copy). **This information must be provided when filing a warranty claim or ordering parts.**



Sample Serial No./Series No. Identification Tag

Model No. \_\_\_\_\_

Series No. \_\_\_\_\_

Serial No. \_\_\_\_\_

Pump Code \_\_\_\_\_

Cylinder Code \_\_\_\_\_

Date of Manufacture \_\_\_\_\_

# Contents

## Troubleshooting

Certification Checklist Diagnostic Procedures .....	2-3
Lift Electrical Schematic .....	4
Lift Wiring Diagram .....	5
Switch and Sensor Locations .....	6
LCD Error Codes .....	7

## Hydraulics

Hydraulic Schematic .....	8
Hydraulics Parts List .....	9
Hydraulics Diagram .....	10

## Repair Parts

### Pump Module

Pump Module Parts List .....	11
Pump Module Diagram .....	12

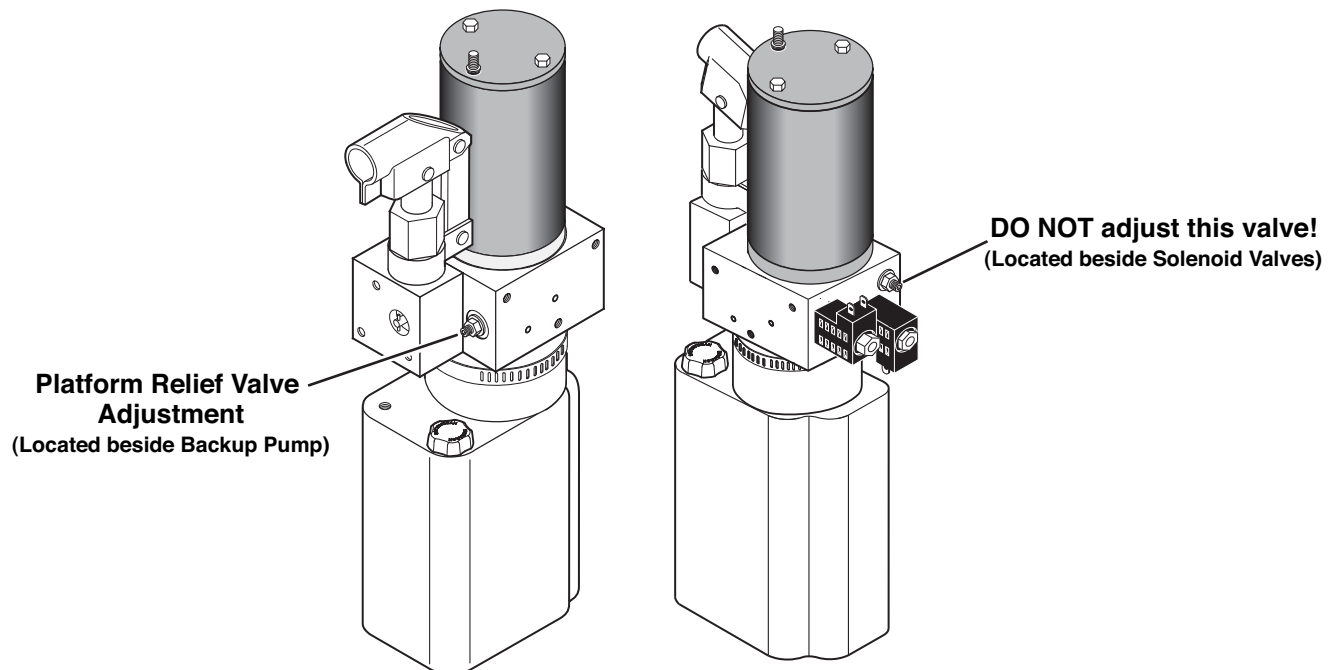
### Lift Exploded View

Repair Parts List .....	13
Exploded View .....	14

## Certification Checklist Diagnostic Procedures

Use the following adjustment procedures should the lift not function as described in the certification checklist. These procedures must be followed in order for the lift to be FMVSS 403/404 compliant.

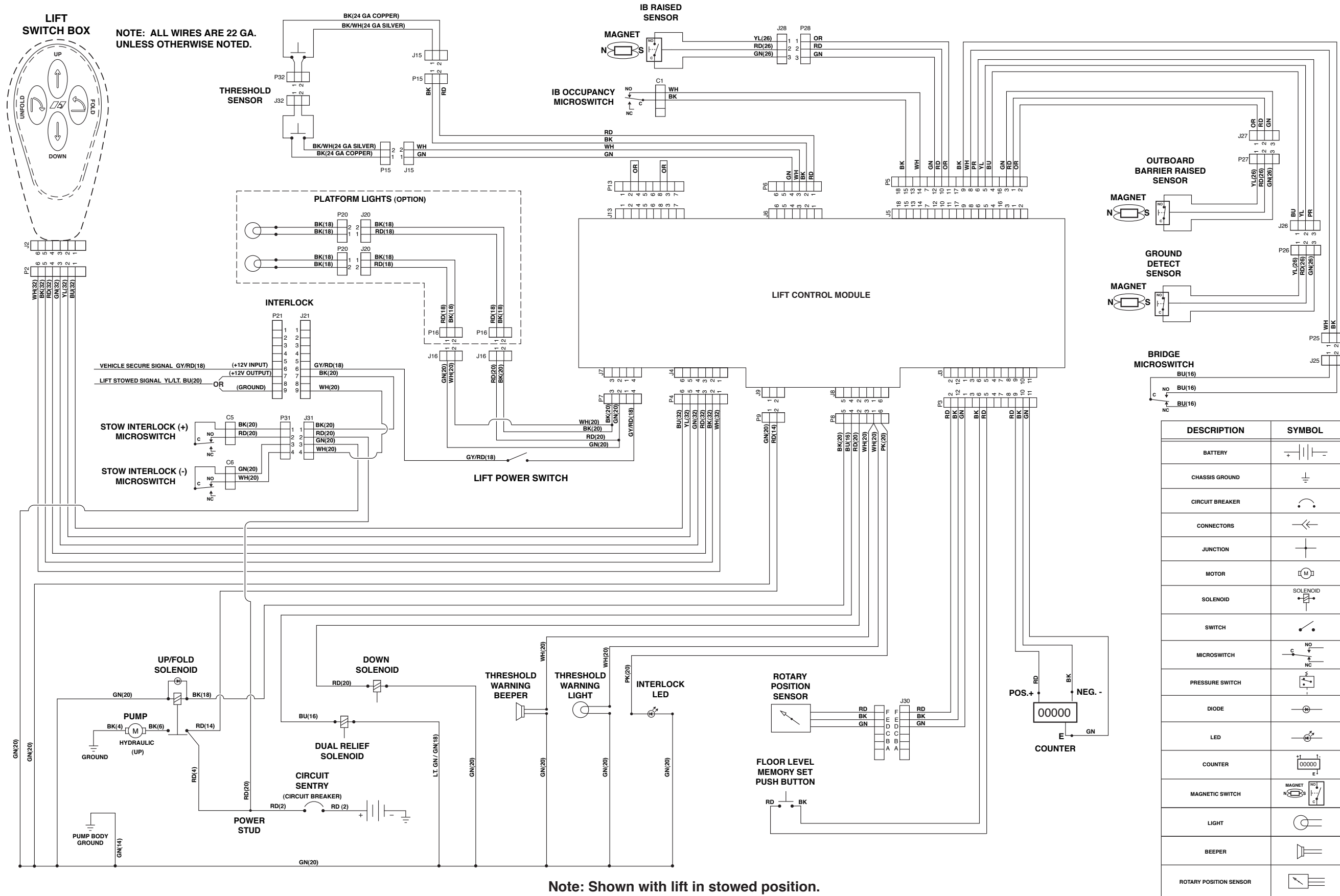
- Vehicle movement is prevented unless the platform is fully stowed.
  1. Verify lift stowed signal - pin 7 on the pump module has a +12 volt output signal from lift OR pin 9 has a ground signal from lift (depends on interlock used).
  2. Refer to the interlock installation instructions.
  
- Lift operation shall be inhibited unless the vehicle is stopped and vehicle movement is prevented.
  1. Verify vehicle secure signal (pin 6) has a +12 volt input signal from interlock.
  2. Refer to the interlock installation instructions.
  
- The platform will not fold/stow when occupied.
  1. Position the platform at the floor level loading position.
  2. Loosen the locknut on the dual relief valve adjustment (do not remove locknut). See illustration below.
  3. Turn the adjustment screw counter clockwise until the platform does not fold when the Fold button is pressed.
  4. Turn the adjustment screw clockwise in 1/4 turn increments and press the Fold button until the platform folds completely (Note: return the platform to floor level position after each attempt to fold the platform).
  5. Turn the adjustment screw an additional 1/8 turn after the platform folds successfully.
  6. Tighten the locknut without moving the adjustment screw.
  7. Verify the platform will not stow while occupied.



## **Certification Checklist Diagnostic Procedures**

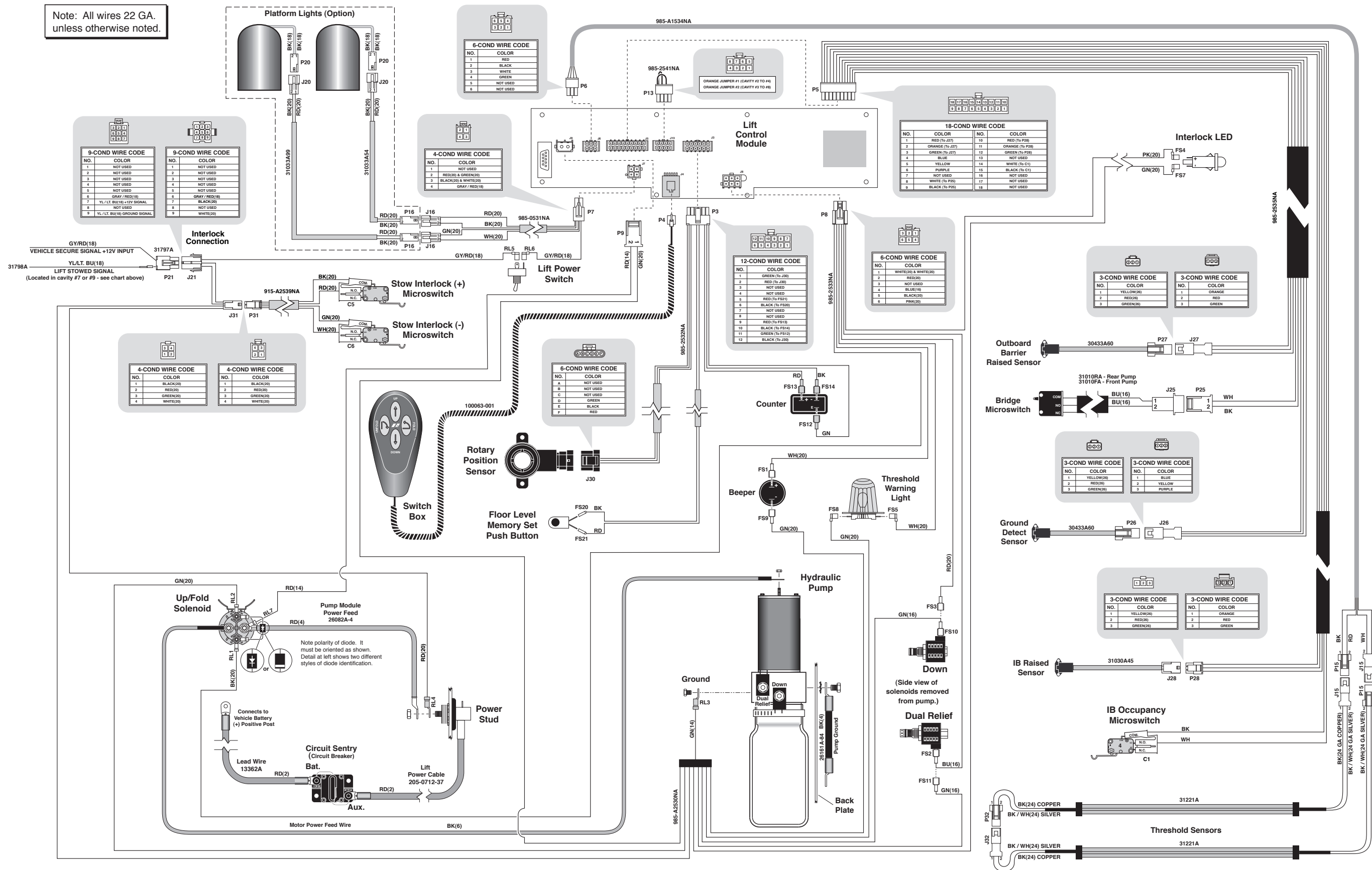
- The inner rollstop will not raise if occupied.
  - Call Product Support
  
- The outer barrier will not raise if occupied.
  - Call Product Support.
  
- Verify platform lighting when lift is deployed.
  1. Replace bulb(s) in the light housing.
  2. Check fuse (5 amp fuse on circuit board; F13)
  
- An audio warning (and visual warning for public lifts) will activate if the threshold area is occupied when the platform is at least 1" below floor level.
  1. Remove the threshold warning plate
  2. Verify the threshold strip switch connectors are connected (see illustration on Page 6)
  3. Replace the threshold strip switch
  4. Reinstall the threshold warning plate
  
- Lowering the platform beyond the inner rollstop locking position is allowed only when the inner rollstop is locked in position.
  - Call Product Support.
  
- Lift platform movement shall be interrupted unless the outer barrier is raised and the outer barrier latch is positively engaged.
  - Call Product Support.

# Lift Electrical Schematic

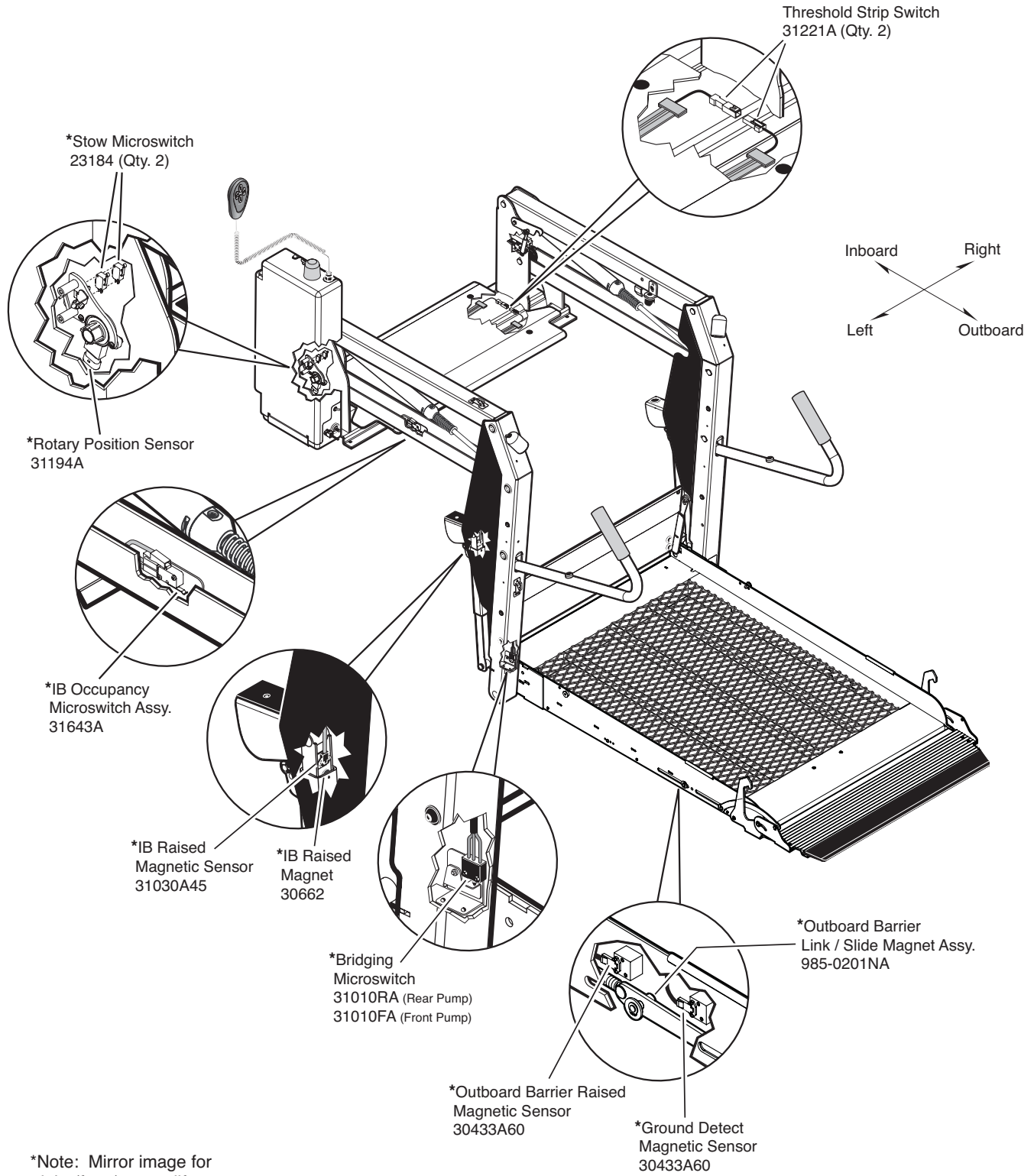


# Lift Wiring Diagram

Note: All wires 22 GA. unless otherwise noted.



# Switch and Sensor Locations





## LCD Lift Codes

Listed below are codes that the lift controller outputs during lift operation. The codes will be displayed on an LCD screen located on the lift control board inside the pump module. See the Manual Operating Instructions in the operator's manual for pump cover removal instructions.

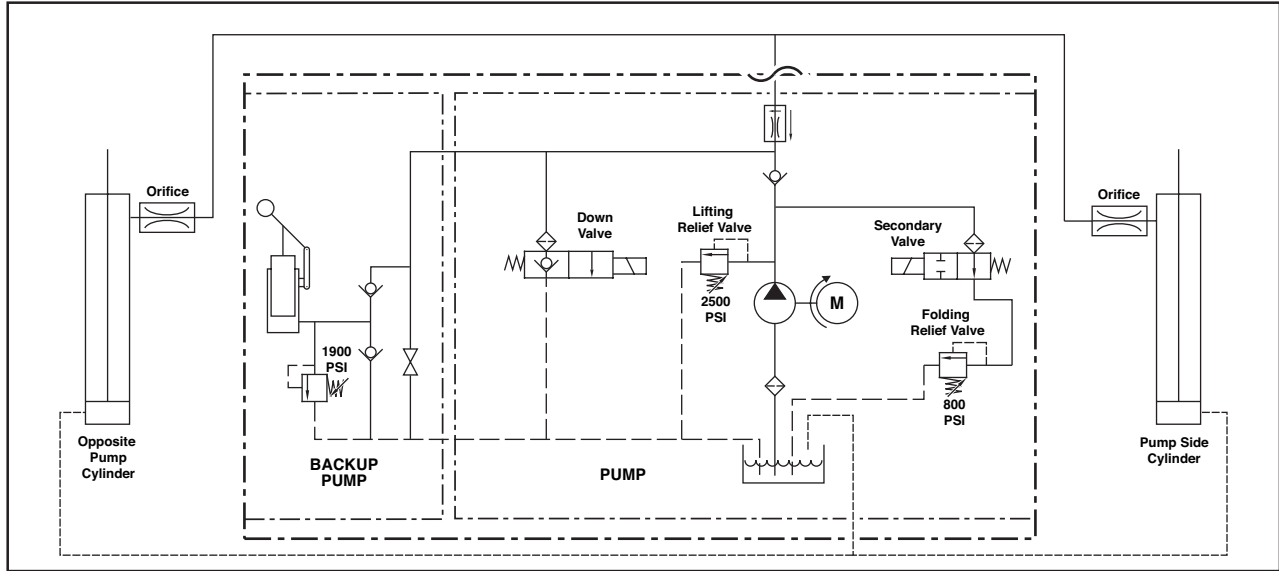
### Non-Flashing Numbers

- 01 – Platform stowed
- 02 – Platform unfolding
- 03 – Platform unfolding paused
- 04 – Platform at floor level
- 05 – Platform beginning to lower
- 06 – Platform lowering (threshold cannot be occupied from this point down)
- 07 – Outer barrier moving to horizontal position
- 08 – Platform at ground level
- 09 – Outer barrier moving to vertical position
- 10 – Platform raising
- 11 – Platform raising paused at floor
- 12 – Platform folding (limited pressure)
- 13 – Platform folding (full pressure)
- 14 – Timed fold (cinching lift title) or (anti-rattle state)
- 15 – Platform folding stopped
- 16 – Paused fold
- 17 – Platform between ground and 3" above ground
- 18 – Platform above 3"
- 19 – Outer barrier moving to horizontal position
- 28 – Illegal function/not defined
- 29 – Interlock fault not recognized (or has been cleared but a motion button is still pressed)
- 30 – Platform location unknown
- 31 – Platform location transition state; attempting to locate position
- 35 – Two or more motion buttons are being pressed
- 36 – The retention belt cannot be buckled while trying to fold or unfold
- 37 – Motion button being pressed is not a valid motion
- 50 – Outer barrier is not up above inboard barrier locked position
- 51 – Threshold is occupied when platform is 1" or more below floor level
- 52 – Inner rollstop is not up and locked below inner rollstop locked position
- 53 – Inner rollstop occupied sensor is not activated between floor and inner rollstop up position
- 54 – Outer barrier is occupied before it is up
- 55 – Outer barrier is not latched when above the inner rollstop locked position (Millennium only)
- 56 – Outer barrier is not up and latched and bridge switch did not deactivate
- 57 – Outer barrier is not up and latched and ground detect switch did not deactivate (Century and Vista only)
- 58 – Outer barrier is not up and latched and the platform is 3" above the ground
- 59 – Outer barrier is not up after pausing platform travel
- 60 – The kickout gas springs are worn, replace before using
- 75 – Low voltage detected; must turn off power switch to reset LCD
- 77 – Vehicle secure interlock has not been activated
- 90 – Position will be set if you keep holding the button until it beeps
- 91 – Position is out of a predetermined acceptable range of floor position
- 92 – Bridge switch is not made, needs adjusting
- 93 – Inner rollstop occupied switch is not made, position needs to be moved or switch should be adjusted
- 94 – Outer barrier is not made, fix and try again
- 95 – Outer barrier latch is not made (check for jumper on Century and Vista lifts, check latch on Millennium lifts)
- 99 – Controller program is not valid; replace controller

### Flashing Numbers

- Flashing 65 – Unfold button is pressed
- Flashing 66 – Fold button is pressed
- Flashing 67 – Down button is pressed
- Flashing 68 – Up button is pressed
- Flashing 69 – Bridge switch is activated
- Flashing 70 – Outer barrier latch switch is activated
- Flashing 71 – Ground detect switch is activated
- Flashing 72 – Outer barrier up switch is activated
- Flashing 73 – Inner rollstop up switch is activated
- Flashing 74 – Inner rollstop occupied switch is activated
- Flashing 76 – Outboard barrier occupied switch is activated
- Flashing 78 – Threshold tape switch "A" is activated
- Flashing 79 – Threshold tape switch "B" is activated
- Flashing 80 – Position set button is pressed

# Hydraulic Schematic



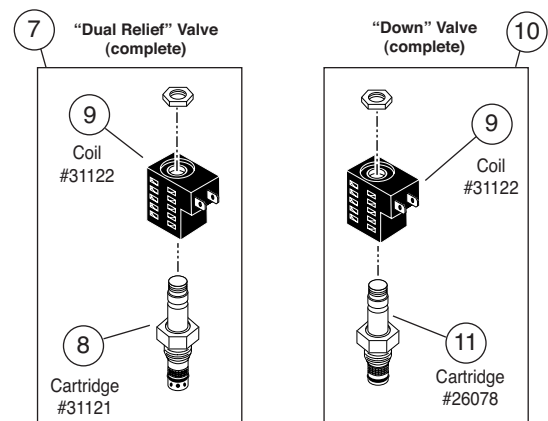
Description	Symbol	Description	Symbol
Fixed Displacement Pump		Hydraulic Port	
Pump Motor		2 Way 2 Position Solenoid Valve	
Backup Pump		Pressure Compensated Flow Control	
Single Acting Cylinder		Relief Valve	
Check Valve		Filter Screen	
Unfold Orifice		Vented Reservoir	
Manual Shutoff Valve			

## Hydraulics Parts List

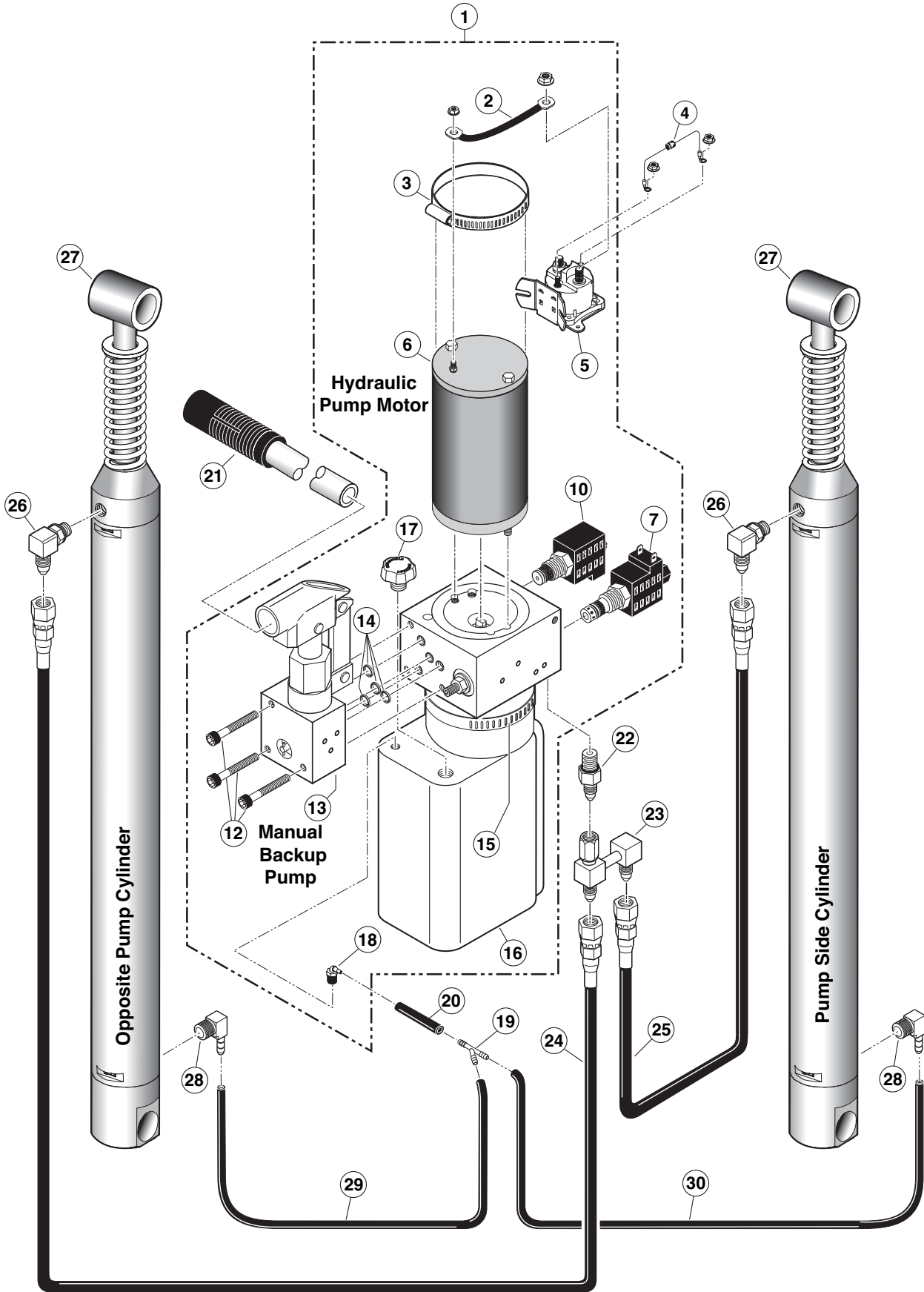
Item	Qty.	Description	Part #
1	1	Pump Assembly (M-268-0112) 120G / 12V / Dual Relief	30915-12V
2	1	Lead Wire Assembly, #6 Gauge	29049
3	1	Clamp, Hose (M258)	29663
4	1	Diode Assembly, Up Solenoid	73906A
5	1	Solenoid, 4-Post - Prestolite	28308
6	1	Motor, Pump - 12 Volt - Low RPM	29690
7	1	Valve Assembly, "Dual Relief" (complete)	31120K
8	1	Cartridge (only), "Dual Relief" Valve - (shown below)	31121
9	2	Coil (only) - (shown below)	31122
10	1	Valve Assembly, "Down" (complete)	31348K
11	1	Cartridge (only), "Down" Valve - (shown below)	26078
12	3	Screw, 1/4-20 x 2-1/4", Allen Head	26080
13	1	Hand Pump (Backup) with O-Rings (Item 11)	26074
14	4	O-Ring (only), Hand Pump Mounting	17351
15	1	Clamp, Reservoir - H-48 (M259)	17069
16	1	Reservoir, Hydraulic Fluid	30160
17	1	Cap, Reservoir Filler - Screw On	30167
18	1	Fitting, 90° - 1/8" NPT x 1/8" Barb - Plastic	87563
19	1	Connector, Plastic "Y", 1/8" O.D.	18877
20	1	Hose, Thermal Plastic - Black, 1/8" I.D.	23742R* (6")
21	1	Handle with Grip	17206A
22	1	Fitting, Male 7-16-20 SAE O-Ring to Male 7/16-20 JIC 37°	24504
23	1	Elbow, 7/16-20 JIC 37 Female Swivel (1) - 7/16-20 JIC 37° Male (2)	26579
24	1	Hose Assembly, 1/8" (Opposite-Pump-Side)	16004A-086
25	1	Hose Assembly, 1/8" (Pump-Side)	16004A-046
26	2	Elbow, 90°, 7/16-20 SAE O-Ring Male - 7/16-20 JIC 37° Male, Orifice	26667
27	2	Cylinder ✓	C1514.3-9408
28	2	Elbow, 90°, 1/4 NPT Male to 1/4" Barbed	15150
29	1	Hose, Thermal Plastic - Black, 1/8" I.D.	23742R* (68")
30	1	Hose, Thermal Plastic - Black, 1/8" I.D.	23742R* (30")

✓ **Seal Kits:** If repairing a cylinder, order Seal Kit #1500-0500P.

\* Raw material items ordered and priced per inch (order specified length).



# Hydraulics Diagram



## Pump Module Parts List

Item	Qty.	Description	Part No.
	1	Pump Module (complete), 12 Volt, Rear	985-A2516RNA
1	1	Pump Assembly (M268-0112) 12V-120G - Dual Relief (Includes Items 2 & 3)	30915-12V
2	1	Power Cable, Up Solenoid to Motor	29049
3	1	Solenoid, Up - 4-Post - Prestolite	28308
4	1	Diode Assembly, Up Solenoid	73906A
5	3	Rivet, Pop, SD43BS - 1/8" - .13"/.19"	12954
6	1	Fitting, Male 7/16-20 O-Ring to Male 7/16-20 JIC 37°	24504
7	1	Elbow, Female Swivel 7/16-20 JIC 37° to (2) Male 7/16-20 JIC 37°	26579
8	1	Control, Hand Pendant Assembly - Standard	100063-001
9	1	Strain Relief - Liquid Tight	30753
10	1	Control Board Assembly	100159-001
11	8	Standoff, Snap-In (2 shown)	31011
12	1	Switch, Push Button	31753
13	1	Diode, Green LED, Panel Mount	29545
14	1	Stud, Power Feed	26084
15	1	Rubber Boot, Red ♦See note below	82046
16	1	Cover, Pump, 2-Piece - Back (Complete Assembly 915-0513RNA Includes Items 16 - 23)	915-0513RN
17	1	Receptacle, Clip On	28803
18	1	Lens, Threshold Warning - Red	30704
19	1	Decal, Warning / Pressure Relief Valve (Not shown - see Decal Section)	22249
20	1	Spacer, Lens - NHTSA	31386
21	1	Metal Ring Base - Lamp	30971
22	1	Socket, Lamp	30703
23	3	Screw, #8-32 x 1/2" Pan Head Phillips - Thread Cut	30974
24	1	Bulb, Light	19841
25	1	Switch, Toggle	31787
26	1	Decal, Lift Power - On/Off (Not shown - see Decal Section)	21494
27	2	Washer, 5/16" Flat	10063
28	2	Bolt, 5/16-18 x 3/4", Nylock, Hex * See note below	29608
29	2	Bolt, 5/16-18 x 1/2", Nylock, Hex * See note below	10012
30	1	Cable, Ground	22166A
31	1	Washer, 5/16" External Tooth	16368
32	1	Beeper, Continuous	30487
33	1	Wire Assembly, Lift Interlock Connection	31797A
34	1	Wire Assembly, Lift Stowed Connection	31798A
35	1	Plate, Backing / Mounting - Rear	985-2501RN
36	1	Pump Handle with Grip	17206A
37	1	Clamp, Hose - Solenoid Mounting	29663
38	1	Clip, Pump Handle - Bottom	915-5518
39	1	Cover, Pump - 2-Piece - Top / Front (Complete Assembly 985-0519RNA Includes Items 39 - 50)	915-0519RN
40	1	Stud, Wing Head - 1/4 Turn	28804
41	1	Retainer, Push On	28805
42	1	Plug, Window - Clear	30443
43	1	Clip, Pump Handle - Top	915-5517
44	1	Washer, Nylon, 1/4" I.D. x 11/16" O.D. x .030"	12690
45	1	Decal, Removal / Installation Pump Handle (Not shown - see Decal Section)	29052
46	1	Decal, Manual Instructions - Public (Not shown - see Decal Section)	31412
47	1	Decal, Removal / Installaton - Pump Cover (Not shown - see Decal Section)	29051
48	1	Decal, Warning - Control Board Damage - ESD (Not shown - see Decal Section)	30787
49	1	Cable, Pump Module Power Hookup (Not shown - see Wiring Diagram)	26082A-4
50	1	Harness, Power (Not shown - see Wiring Diagram)	985-A2530NA
51	1	Harness, Interlock / Lighting (Not shown - see Wiring Diagram)	985-0531NA
52	1	Harness, Up / Down Solenoid (Not shown - see Wiring Diagram)	985-2533NA
53	1	Harness, Extension - Threshold Switch (Not shown - see Wiring Diagram)	985-A1534NA
54	1	Harness, Jumper (Not shown - see Wiring Diagram)	985-2541NA

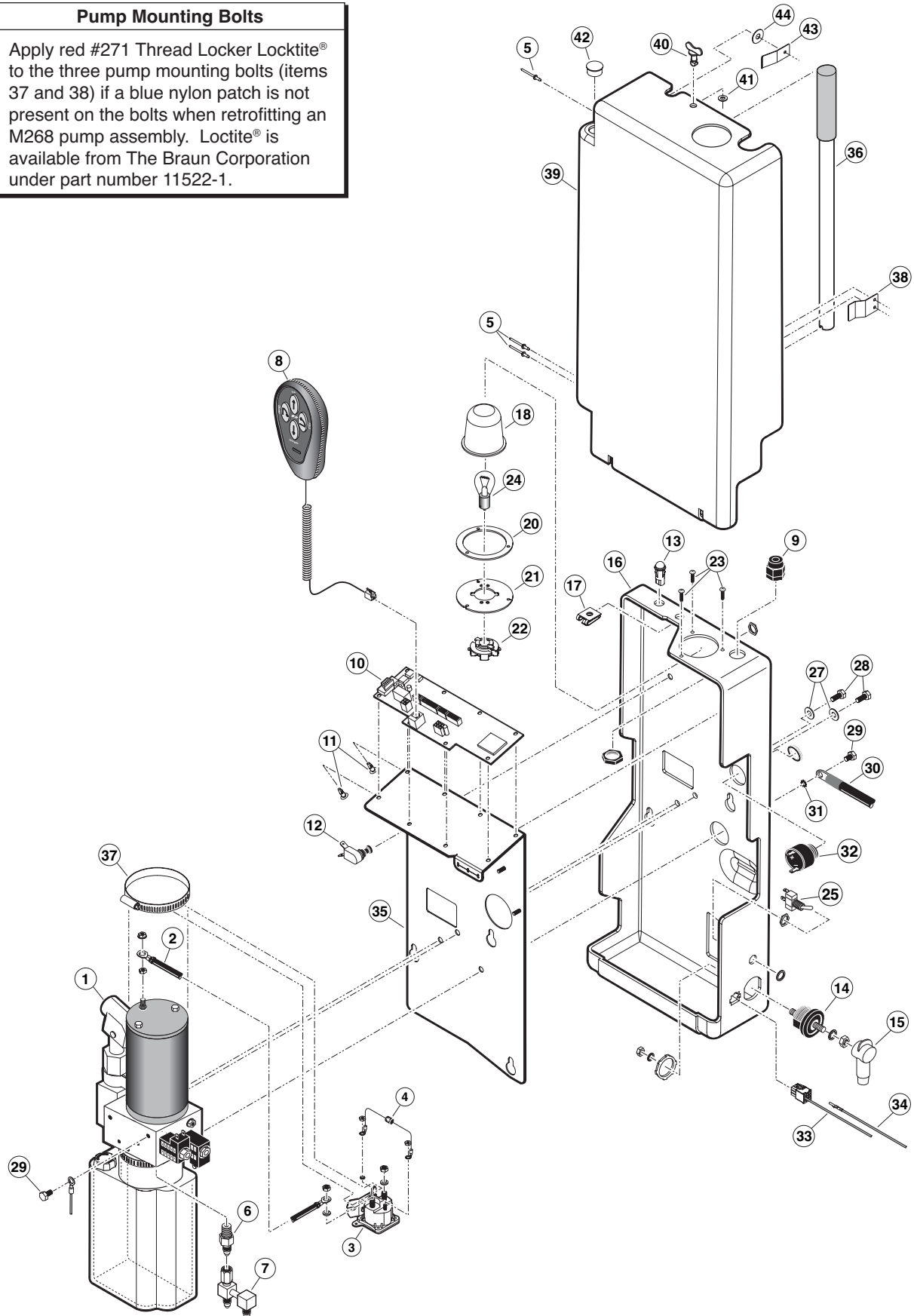
\* Apply red #271 Thread Locker Loctite® to the four hex bolts (items 28 and 29) if a blue nylon patch is not present on the bolts when retrofitting an M268-0112 pump assembly. Loctite® is available from The Braun Corporation under part number 11522.

♦ Indicates items available for replacement part purposes **only**. These items **are not** included with replacement pump modules.

# Pump Module Diagram

## Pump Mounting Bolts

Apply red #271 Thread Locker Loctite® to the three pump mounting bolts (items 37 and 38) if a blue nylon patch is not present on the bolts when retrofitting an M268 pump assembly. Loctite® is available from The Braun Corporation under part number 11522-1.



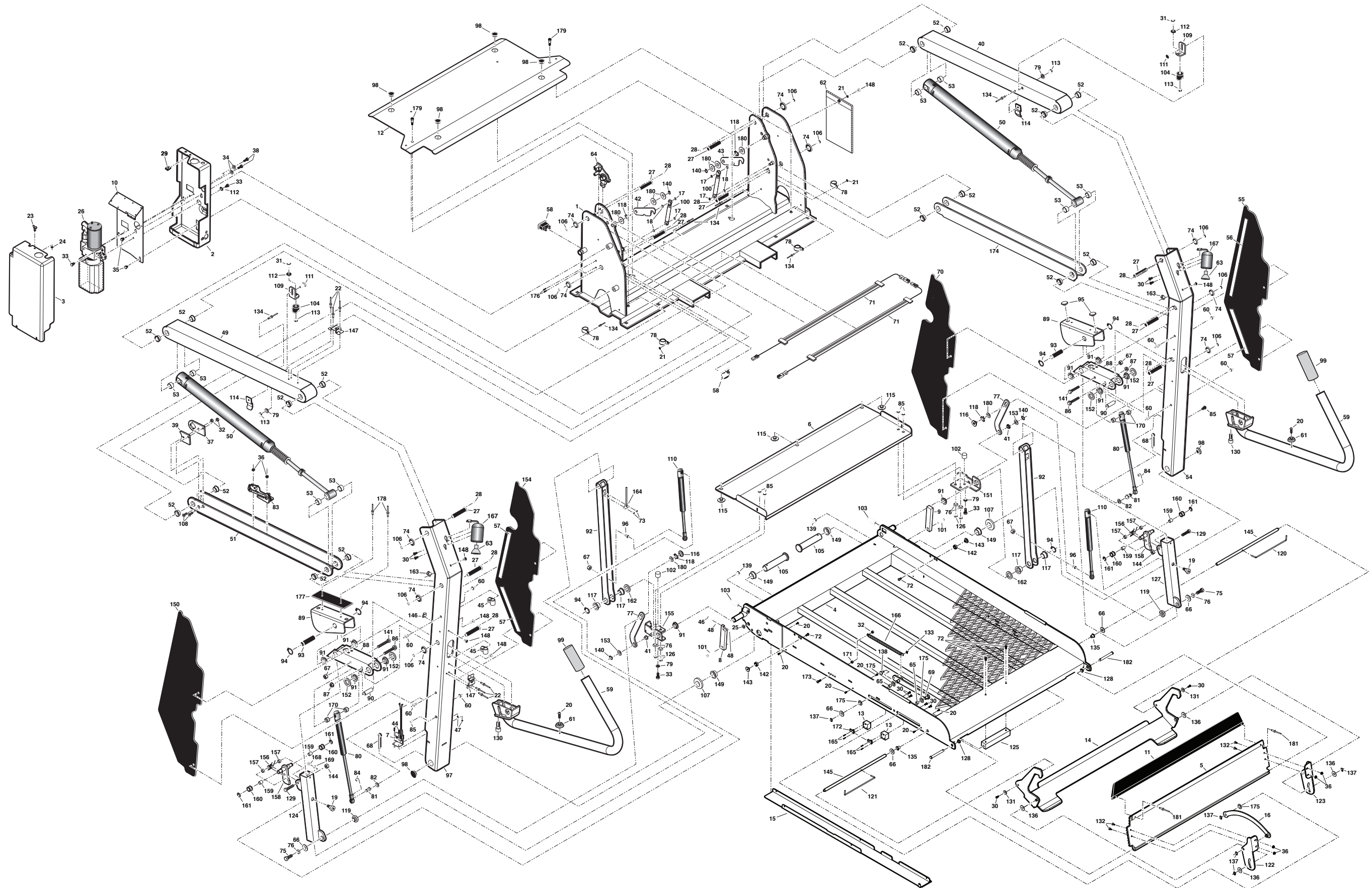
# Repair Parts

Part Numbers of Items Dedicated per Lift Model						
Item	Qty.	Description	NCL917IB	NCL917FIB	NCL919IB	NCL919FIB
1	1	Base Weldment	985R3148NW33	985F3148NW33	985R3148NW34	985F3148NW34
2	1	Cover, Pump, 2-Piece, Back-Bottom	915-0513RBN	915-0513FN	915-0513RN	915-0513FN
3	1	Cover, Pump, 2-Piece, Top-Front Assy.	915-0519RN	915-0519FN	915-0519RN	915-0519FN
4	1	Platform Weldment	985-33350NW	985-33350NW	985-33450NW	985-33450NW
5	1	Outer Barrier	985-2312NY	985-2312NY	985-2312N34Y	985-2312N34Y
6	1	Inner Rollstop	915-0147NWY	915-0147NWY	915-0147NW34Y	915-0147NW34Y
7	1	Bridge Switch Assembly	31010RA	31010FA	31010RA	31010FA
8	1	Block, Platform Stop - Bridging	25778	900-0311	25778	900-0311
9	1	Block, Platform Stop	900-0311	25778	900-0311	25778
10	1	Plate, Backing/Mounting	985-2501RN	985-2501FN	985-2501RN	985-2501FN
11	1	Rubber Nose	24603-33	24603-33	24603-34	24603-34
12	1	Base Cover	975-3148CNA33Y	975-3148CNA33Y	975-3148CNA34Y	975-3148CNA34Y
13	2	Block, Switch Mounting, Adjust	985-0220RN	985-0220FN	985-0220RN	985-0220FN
14	1	Outer Barrier Actuation Foot	985-2204N-33	985-2204N-33	985-2204N-34	985-2204N-34
15	1	Cover, Slide, Angle	985-0218RN	985-0218FN	985-0218RN	985-0218FN
16	1	Weldment, Link Arm, Outer Barrier	985-0210RNW	985-0210FNW	985-0210RNW	985-0210FNW

Part Numbers of Items Identical on All Lift Models							
Item	Qty.	Description	Part No.	Item	Qty.	Description	Part No.
17	4	Snap-Ring 5/16"	24570	106	10	Screw, 5/16-18 x 3/4", SHFS	25527
18	4	O-Ring, 5/16" I.D. x 1/16" O.D.	26614	107	2	Spacer, UHMW, Vertical Channel	25527
19	2	Screw, Socket Head, 3/8-16 x 1/2" with 1/2" Shoulder	25929	108	2	Screw, 1/4-20 x 3/4", Flat Head Countersink	28986
20	8	Screw, #8-18 x 1/2" PH, PN, SD, Auto, Black	13583	109	2	Bracket, Mounting, Quiet Ride	915-0392
21	3	Washer, #10, Flat, Auto BK	11541	110	2	Gas Spring, 12.2" Extended/8.3" Compressed	26698
22	6	Rivet, Pop, 1/8"- .13"/.19"	12954	111	2	Bolt, 5/16-18 x 3/4", Carriage, Black	15858BK
23	1	Stud, Wing Head	28804	112	3	Washer, 5/16", External Tooth	16368
24	1	Retainer, Push-On	28805	113	4	Nut, 5/16-18 Hex	10058
25	1	Grommet, ID .312", FR .250", GD .813" T500"	27726	114	2	Bracket, Inner Side Panel Guide	915-0703
26	1	Pump Assembly, (M268 with Backup Pump)	30915-12V	115	3	Bearing, UHMW, Flat, Thin, Black	915-5406
27	10	Pin, Pivot, Parallel Arm	917-0403	116	2	Pivot, Bridge Plate Lever, Upper, Inside	916-5433
28	10	Screw Drive #8 x 3/16" Long Black	31086BK	117	4	Bearing, Flange - 3/4" x 1/2"	24027
29	1	Receptacle, Clip-On	28803	118	4	Washer, Finger, Disc Spring	27276
30	10	Screw, #10-32 x 1/2" BHSCS, Auto, Black	30375	119	2	Pivot, Inner Roll Stop	915-5434
31	2	Bolt, 5/16-18 x 3/4", BHSC, Auto, Black	24440	120	1	Rod 5/32", Torsion, Spring Bar, Front	28132F
32	3	Nut, 1/4-20 Hex Lock	10775	121	1	Rod 5/32", Torsion, Spring Bar, Rear	28132R
33	4	Bolt, 5/16-18 x 1/2" Nylock, Hex	10012	122	1	Roll Stop, Arm, Rear	985-0202RN
34	2	Washer, 5/16" Flat	10063	123	1	Roll Stop, Arm, Front	985-0202FN
35	2	Bolt, 3/8-16 x 1/2" Nylock, Hex	29729	124	1	Weldment, Tube-IB Fold Arm-Rear	985-0625RNW
36	6	Nut, #10-32 w/Lockwasher	18349	125	1	Block, Foot, Latch, Pivot	985-0215N
37	1	Position Sensor Collet	31093	126	4	Nut, 3/8-16, Hex	10059BK
38	2	Bolt, 5/16-18 x 3/4" Nylock, Hex	29608	127	1	Weldment, Tube-IB Fold Arm-Front	985-0625FNW
39	1	Position Sensor Spacer	31092	128	2	Bearing, Plastic Flange, 3/8 I.D. x 1/4"	24028
40	1	Parallel Arm Assy., Top-Front w/Bearings	915-0437FA	129	2	Bolt, 5/16-18 x 1 1/2" Hex Head, Cap	10014
41	2	Bearing, Flange, 1/2" x 1/4"	24442	130	2	Bolt, 7/16-20 x 1", SHCS, w/Nylock Patch	28474
42	1	Weldment, Latch, Lift/Tite, Rear	27013RW	131	2	Washer, 1/4" Flat, Auto Black	10062
43	1	Weldment, Latch, Lift/Tite, Front	27013FW	132	4	Screw, #10-32 x 1/2, Flat Head-Hex w/Patch	17192P
44	2	Screw, #4-40 x 5/8", Round Head	14819	133	1	Ring, 1/4" External Snap	13710
45	2	Clip, Cable, 5/16", Plastic	28948	134	6	Rivet, Pop, 3/16"- .25"/.38", Black	14993
46	1	Screw, #8-32 x 1", Mach. Truss Head	19912BK	135	2	Bearing, Flange, 10MM x 12MM, FMB1012DU	28128
47	2	Nut, #4-40 w/Lockwasher	19537	136	4	Washer, .390 Nylon	17327
48	2	Nut, #8-32, Hex	10777	137	5	Ring, 3/8" Retaining Snap	13889
49	1	Parallel Arm Assy., Top-Rear w/Bearings	985-0437RNA	138	1	Pin, Spring, Slide, NCL	985-2326N
50	2	Cylinder, 14.625"/29.146" Retracted	C1514.3-9408	139	2	Nut, 5/16-18, Top Lock, Black	28324BK
51	1	Parallel Arm Assy., Bottom w/Bearings and Sensors - Rear	975-0458NA	140	4	Snap-Ring 1/2"	13273
52	16	Bearing, Flange, 3/4" x 3/8"	24011	141	2	Bolt, 3/8-16 x 2", Hex Head, Cap	10027
53	8	Bushing, 3/4" I.D. x 1/2"	900-0456	142	2	Roller Assembly	1000-2395A
54	1	Vertical Channel Weldment, Front, 48"	955-0448FNW	143	2	Roller Retainer	915-5353
55	1	Cover, Plastic, Parallel Arm, O/S Front-w/Tape	915-0704NA	144	2	Nut, 5/16-18 Hex. Lock	11387BK
56	2	Tape, 1" Wide S-Face Foam, x 14" (1 Shown)	82015R014	145	2	Torsion Rod	31432PC
57	6	Tape, 1" Wide S-Face Foam, x 10" (3 Shown)	82015R010	146	1	Clamp, 1/4" I.D. - Nylon Loop	84396
58	1	Cycle Counter-LCD Without Reset	30547	147	2	Clip, Hand Control Hanger	84389
59	2	Handrail Weldment	985-0618NW	148	8	Rivet, Snap, .201" x .256"/.295"	26362
60	8	Rivet, Push In - 8MM	30063	149	4	Bearing, Flange, 1" x 1/2-16FDU08	28031
61	2	Bumper, Rubber, 31/32" O.D.	10950	150	1	Cover, Plastic, Parallel Arm, O/S Rear-w/Tape	915-0702NA
62	1	Bag, Vinyl - 7" x 10"	31174	151	1	Weldment, Bridgeplate Bracket, Front	985-0431FNW
63	2	Bulb, Light 20-W, Halogen Reflector	31060	152	4	Spacer, Handrail, .375" Thk. UHMW	995-0301
64	1	Assembly, Rotary Position Sensor	31094A	153	2	Washer, .516" I.D. x .75" O.D. x .250", Black	25336
65	2	Bearing, Platform Slide	985-2336N	154	1	Cover, Plastic, Parallel Arm, I/S Rear-w/Tape	915-0703NA
66	5	Washer, 3/8" Flat, Black	10064	155	1	Weldment, Bridgeplate Bracket, Rear	985-0431RNW
67	4	Nut, 3/8-16, Hex Lock	13617	156	2	Spring, Torsion - .366 I.D. x .05"	30386
68	2	Cotter Pin, 1/4" x 2", Black	15886BK	157	4	Spacer, IB Lock	30394
69	1	Assembly, Link, Slide, Outer Barrier w/Magnet	985-0201NA	158	2	Weldment, IB Lock	985-0630NW
70	1	Cover, Plastic, Parallel Arm, I/S Front-w/Tape	915-0701NA	159	4	Bearing, 3/8" I.D. x 1/2" Long	84383
71	2	Threshold Strip Switch	30758A	160	4	Roller, 65" O.D. x 1/2" Long	985-0631N
72	4	Bolt, 1/4-20 x 1/2" Button Head Socket	15733	161	4	E-Clip, 3/8" Shaft	84383
73	2	Rivet, Snap, Black, 1587/236 THK	25759	162	2	Spacer, Handrail, .230" Thk. UHMW	911-5301
74	10	Washer, 1/2" Flat Black Zinc	25346	163	2	Clamp, 1/2" I.D. - Nylon Loop	10092
75	2	Bolt, 3/8-16 x 1", Hex	10025	164	1	Harness, Sensor - Magnetic w/Plug - 37"	30433A37
76	6	Washer, 3/8", Lock, Black	10069BK	165	4	Screw, #4-40 x 1/2" RD., HD.	11482
77	2	Lever, Inboard Barrier	985-0404N	166	1	Spring, Extension 1/2" x 8", 2.08	31794
78	4	Clamp, Insulate, 1 3/8" I.D.	29765	167	2	Light Assy, Vertical Channel	31062A
79	4	Washer, 5/16" Lock, Black	10068	168	1	Magnet-Sensor Ring	30662
80	2	Gas Spring, Fold Arm	29186	169	1	Rivet, Snap, Black, .201" Hole x .177"/.217" Thick	30408
81	2	Ball Stud, Gas Spring, 13MM x 3/8-16 F. Thread	29185	170	4	Spacer, UHMW-.75" O.D. x .39" I.D. x .25"	30227
82	2	Washer, 3/8", Lock	10069	171	1	Nut, 1/4-20 Hex	10057
83	1	Assembly, IB Occupied	31643A	172	2	Harness, Sensor, Magnetic w/Plug - 60"	30433A60
84	2	Clip, Safety, 3/8-16 x 3/4", Flange	12608	173	1	Bolt, 1/4-20 x 3/4" BHCS, Nylock, BKZN	25371
85	6	Bolt, 3/8-16 x 3/4", Flange Button Head, Socket Cap	25171	174	1	Parallel Arm Assy., Bottom w/Bearings-Front	917-0457NA
86	2	Bolt, 5/16-18 x 2", Flange, Hex	25130	175	4	Washer, Thrust, .875 O. D., .50 I.D., .0585T	29371
87	2	Nut, 5/16-18, Serrated Flange	25131	176	2	Screw, 1/4-20 x 3/4" BHSCS 18-8 SS	81068-000
88	2	Arm, Slide Support	985-0612N	177	1	Slide, UHMW, Platform Rotate	31677
89	2	Slide, Platform, Rotate, Weldment	985-0606N	178	2	Rivet, Pop, 3/16" - .13/.25" - SD64BS	11513
90	2	Spacer, .5" O.D. x .334" I.D. x 1.515" LG	25132	179	2	Bolt, Shoulder, 5/16" x 5/8" - 1/4-20	31816
91	10	Bearing, Flange, 3/4" x 1/4"	24012	180	8	Washer, .516" I.D. x 1" O.D. x .0269", Auto BK	15328
92	2	Weldment, Platform Pivot Arm - 48"	985-0640NW-BKN	181	2	Rivet, Pop, 3/16" x .06"/.13"	11512
93	2	Pin, Pivot, Lower Arm	900-0413N	182	2	Pin, Clevis 3/8 x 3" EFF, LEN. w/o Hole, Black	24932BK
94	6	Ring, Snap, 3/4", External	18657				
95	2	Bearing, UHMW, Flat, 1.226"	205-1760				
96	2	Ball Stud, 10MM	21301				
97	1	Vertical Channel Weldment, Rear	955-0448RNW				
98	6	Plastic End Cap, 1" I.D. x 1 1/4" O.D.	20474				
99	2	Grip, Handle, Yellow	19074				
100	2	Spring, Dampener, Retract	26963				
101	2	Bolt, 5/16-18 x 1 1/4" Low Socket Hd., Cap, Bk.	26327				
102	2	Bumper, .75" x .625" Long	915-0391				
103	2	Screw, 1/2-20 x 1 1/2" Set Lock, Black	18663				
104	2	Block, Guide-Platform Stow	28593				
105	2	Pin, Platform	975-2325				



# Exploded View





# "Providing Access to the World"®



## **Over 300 Braun Dealers Worldwide**

 **THE BRAUN  
CORPORATION**  
"Providing Access to the World"



International Corporate Hdqrs: P.O. Box 310 Winamac, IN 46996 USA  
1-800-THE LIFT (574) 946-6153 FAX: (574) 946-4670

**Century Series Lift**  
**Braun "Worry-Free"**  
**Five-Year Limited Warranty**

The Braun Corporation of Winamac, Indiana, warrants its wheelchair lift against defects in material and workmanship for up to five years\*, providing the lift is installed, operated and maintained properly and in conformity with this manual. This warranty is limited to the original purchaser and does not cover defects in the motor vehicle on which it is installed, or defects in the lift caused by a defect in any part of the motor vehicle.

This warranty commences on the date the lift is put into service, providing the warranty registration card is completed and received by The Braun Corporation within twenty days of purchase. If no warranty card is received, the warranty will expire three years from the date of manufacture as identified on the lift serial number tag.

This warranty also covers the cost of labor for the repair or replacement of parts for three years when performed by an approved Braun Dealer. (A labor schedule determines cost allowance for repairs, which can be provided upon request by an approved Braun Dealer).

This warranty does not cover normal maintenance, service, or periodic adjustments necessitated by use or wear. The Braun Corporation will not, under any circumstances, pay for loss of use, incidental or consequential damages related to the lift, or vehicle in which it is installed.

This warranty will become null and void if the lift has been damaged through accident, misuse, or neglect, or if the lift has been altered in any respect.

\* The five-year portion of this warranty covers the following lift's power train parts:

- Cable ▪ Cylinder ▪ Flow Control ▪ Gear Box ▪ Motor ▪ Pump ▪ Hydraulic Hose & Fittings
- Solid State Controller

All remaining lift components are covered by a three-year warranty.

**Return Authorization Procedure**

When processing any warranty claims (parts, repairs, etc.), all requests must be processed through The Braun Corporation Product Support Department. Call 1-800-THE LIFT® (extension 3009) during normal working hours. Product Support will issue a Return Material Authorization (RMA) number and detail the procedures required for processing returns and/or authorizing credit.

The lift identification information is provided on the Braun Serial No./Series No. identification tag and the two warranty cards (shown on inside front cover). The lift identification information must be provided when filing a warranty claim or ordering parts.



International Corporate Hdqrs: P.O. Box 310 Winamac, IN 46996 USA  
 1-800-THE LIFT® (574) 946-6153 FAX: (574) 946-4670



## Free Manuals Download Website

<http://myh66.com>

<http://usermanuals.us>

<http://www.somanuals.com>

<http://www.4manuals.cc>

<http://www.manual-lib.com>

<http://www.404manual.com>

<http://www.luxmanual.com>

<http://aubethermostatmanual.com>

Golf course search by state

<http://golfingnear.com>

Email search by domain

<http://emailbydomain.com>

Auto manuals search

<http://auto.somanuals.com>

TV manuals search

<http://tv.somanuals.com>