

IMPORTANT:
Read Before Using

IMPORTANT :
Lire avant usage

IMPORTANTE:
Leer antes de usar

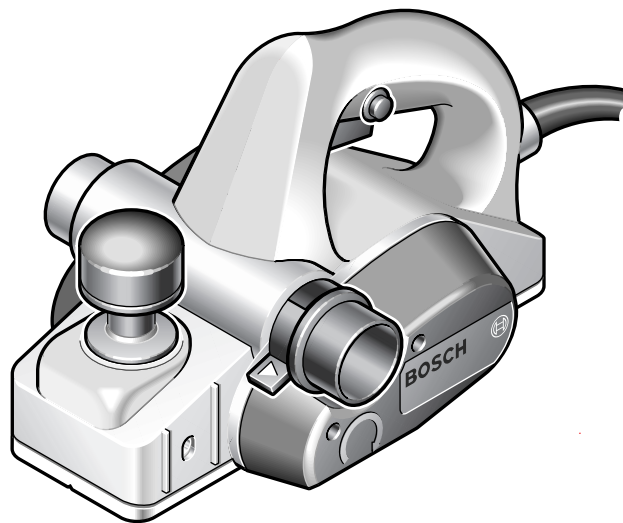


Operating/Safety Instructions

Consignes de fonctionnement/sécurité

Instrucciones de funcionamiento
y seguridad

3365



BOSCH

Consumer Information
Renseignement des consommateurs
Información para el consumidor

Toll Free Number: 1-877-BOSCH99 (1-877-267-2499) <http://www.boschtools.com>
Appel gratuit : Número de teléfono gratuito:

For English
See page 2

Parlez-vous français?
Voir page 11

¿Habla español?
Ver página 20

Power Tool Safety Rules



WARNING

Read and understand all instructions. Failure to follow all instructions listed below, may result in electric shock, fire and/or serious personal injury.

SAVE THESE INSTRUCTIONS

Work Area

Keep your work area clean and well lit. Cluttered benches and dark areas invite accidents.

Do not operate power tools in explosive atmospheres, such as in the presence of flammable liquids, gases, or dust. Power tools create sparks which may ignite the dust or fumes.

Keep by-standers, children, and visitors away while operating a power tool. Distractions can cause you to lose control.

Electrical Safety

Double Insulated tools are equipped with a polarized plug (one blade is wider than the other.) This plug will fit in a polarized outlet only one way. If the plug does not fit fully in the outlet, reverse the plug. If it still does not fit, contact a qualified electrician to install a polarized outlet. Do not change the plug in any way. Double Insulation eliminates the need for the three wire grounded power cord and grounded power supply system. Before plugging in the tool, be certain the outlet voltage supplied is within the voltage marked on the nameplate. Do not use "AC only" rated tools with a DC power supply.

Avoid body contact with grounded surfaces such as pipes, radiators, ranges and refrigerators. There is an increased risk of electric shock if your body is grounded. If operating the power tool in damp locations is unavoidable, a Ground Fault Circuit Interrupter must be used to supply the power to your tool. Electrician's rubber gloves and footwear will further enhance your personal safety.

Don't expose power tools to rain or wet conditions. Water entering a power tool will increase the risk of electric shock.

Do not abuse the cord. Never use the cord to carry the tools or pull the plug from an outlet. Keep cord away from heat, oil, sharp edges or moving parts. Replace damaged cords immediately. Damaged cords increase the risk of electric shock.

When operating a power tool outside, use an outdoor extension cord marked "W-A" or "W." These cords are rated for outdoor use and reduce the risk of electric shock. Refer to "Recommended sizes of Extension Cords" in the Accessory section of this manual.

Personal Safety

Stay alert, watch what you are doing and use common sense when operating a power tool. Do not use tool while tired or under the influence of drugs, alcohol, or medication. A moment of inattention while operating power tools may result in serious personal injury.

Dress properly. Do not wear loose clothing or jewelry. Contain long hair. Keep your hair, clothing, and gloves away from moving parts. Loose clothes, jewelry, or long hair can be caught in moving parts. Keep handles dry, clean and free from oil and grease.

Avoid accidental starting. Be sure switch is "OFF" before plugging in. Carrying tools with your finger on the switch or plugging in tools that have the switch "ON" invites accidents.

Remove adjusting keys or wrenches before turning the tool "ON". A wrench or a key that is left attached to a rotating part of the tool may result in personal injury.

Do not overreach. Keep proper footing and balance at all times. Proper footing and balance enables better control of the tool in unexpected situations.

Use safety equipment. Always wear eye protection. Dust mask, non-skid safety shoes, hard hat, or hearing protection must be used for appropriate conditions.

Tool Use and Care

Use clamps or other practical way to secure and support the workpiece to a stable platform. Holding the work by hand or against your body is unstable and may lead to loss of control.

Do not force tool. Use the correct tool for your application. The correct tool will do the job better and safer at the rate for which it is designed.

Do not use tool if switch does not turn it "ON" or "OFF". Any tool that cannot be controlled with the switch is dangerous and must be repaired.

Disconnect the plug from the power source before making any adjustments, changing accessories, or storing the tool. Such preventive safety measures reduce the risk of starting the tool accidentally.

Store idle tools out of reach of children and other untrained persons. Tools are dangerous in the hands of untrained users.

Maintain tools with care. Keep cutting tools sharp and clean. Properly maintained tools, with sharp cutting edges are less likely to bind and are easier to control. Any alteration or modification is a misuse and may result in a dangerous condition.

Check for misalignment or binding of moving parts, breakage of parts, and any other condition that may affect the tools

operation. If damaged, have the tool serviced before using. Many accidents are caused by poorly maintained tools. Develop a periodic maintenance schedule for your tool.

Use only accessories that are recommended by the manufacturer for your model. Accessories that may be suitable for one tool, may become hazardous when used on another tool.

Service

Tool service must be performed only by qualified repair personnel. Service or maintenance performed by unqualified personnel could result in a risk of injury. For example: internal wires may be misplaced or pinched, safety guard return springs may be improperly mounted.

When servicing a tool, use only identical replacement parts. Follow instructions in the Maintenance section of this manual. Use of unauthorized parts or failure to follow Maintenance Instructions may create a risk of electric shock or injury. Certain cleaning agents such as gasoline, carbon tetrachloride, ammonia, etc. may damage plastic parts.

Safety Rules for Planers

Secure the material being planed. Never hold it in your hand or across legs. Small workpiece must be adequately secured so that the rotating planer blades will not pick it up during forward motion of the planer. Unstable support can cause the blades to bind causing loss of control and injury.

Always start the plane before blade is in contact with the workpiece and allow the blade to come to full speed. Tool can vibrate or chatter if blade speed is too slow at beginning of cut and possibly kickback.

Check the workpiece for nails, if there are nails, either remove or set them well below intended finished surface. If the

planer blades strike objects like nails it may cause the tool to kickback and serious personal injury may result.

Unplug the planer before changing accessories. Before plugging the tool in, check that the trigger lock is "OFF". Accidental start-ups may occur if planer is plugged in while changing an accessory.

After changing blades, rotate the blade cylinder (cutter drum) to make sure blades are not hitting any part of the blade head housing and the blade locking screws are tight. Spinning blades could strike tool housing and damage tool as well as possible injury.

Always hold the tool firmly with both hands for maximum control.

Never pull the plane backward over the workpiece. Loss of control may occur.

Do not put fingers or any objects into the chip ejector or clean out chips while tool is running. Contact with blade drum will cause injury.

Remove plug from power source if it becomes necessary to remove chips. The blades are hidden from view and you may be cut if blade is contacted.

Never place the plane down until the blade is completely at rest. Surface contact with coasting blade drum may cause the plane to walk out of control.




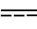
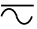




⚠ WARNING Some dust created by power sanding, sawing, grinding, drilling, and other construction activities contains chemicals known to cause cancer, birth defects or other reproductive harm. Some examples of these chemicals are:

- Lead from lead-based paints,
- Crystalline silica from bricks and cement and other masonry products, and
- Arsenic and chromium from chemically-treated lumber.

Your risk from these exposures varies, depending on how often you do this type of work. To reduce your exposure to these chemicals: work in a well ventilated area, and work with approved safety equipment, such as those dust masks that are specially designed to filter out microscopic particles.

Symbols

IMPORTANT: Some of the following symbols may be used on your tool. Please study them and learn their meaning. Proper interpretation of these symbols will allow you to operate the tool better and safer.

Symbol	Name	Designation/Explanation
V	Volts	Voltage (potential)
A	Amperes	Current
Hz	Hertz	Frequency (cycles per second)
W	Watt	Power
kg	Kilograms	Weight
min	Minutes	Time
s	Seconds	Time
∅	Diameter	Size of drill bits, grinding wheels, etc.
n_0	No load speed	Rotational speed, at no load
.../min	Revolutions or reciprocation per minute	Revolutions, strokes, surface speed, orbits etc. per minute
0	Off position	Zero speed, zero torque...
1, 2, 3, ... I, II, III,	Selector settings	Speed, torque or position settings. Higher number means greater speed
	Infinitely variable selector with off	Speed is increasing from 0 setting
	Arrow	Action in the direction of arrow
	Alternating current	Type or a characteristic of current
	Direct current	Type or a characteristic of current
	Alternating or direct current	Type or a characteristic of current
	Class II construction	Designates Double Insulated Construction tools.
	Earthing terminal	Grounding terminal
	Warning symbol	Alerts user to warning messages
	Ni-Cad RBRC seal	Designates Ni-Cad battery recycling program



This symbol designates that this tool is listed by Underwriters Laboratories.



This symbol designates that this tool is listed to Canadian Standards by Underwriters Laboratories.



This symbol designates that this tool complies to NOM Mexican Standards.



This symbol designates that this tool is listed by the Canadian Standards Association.

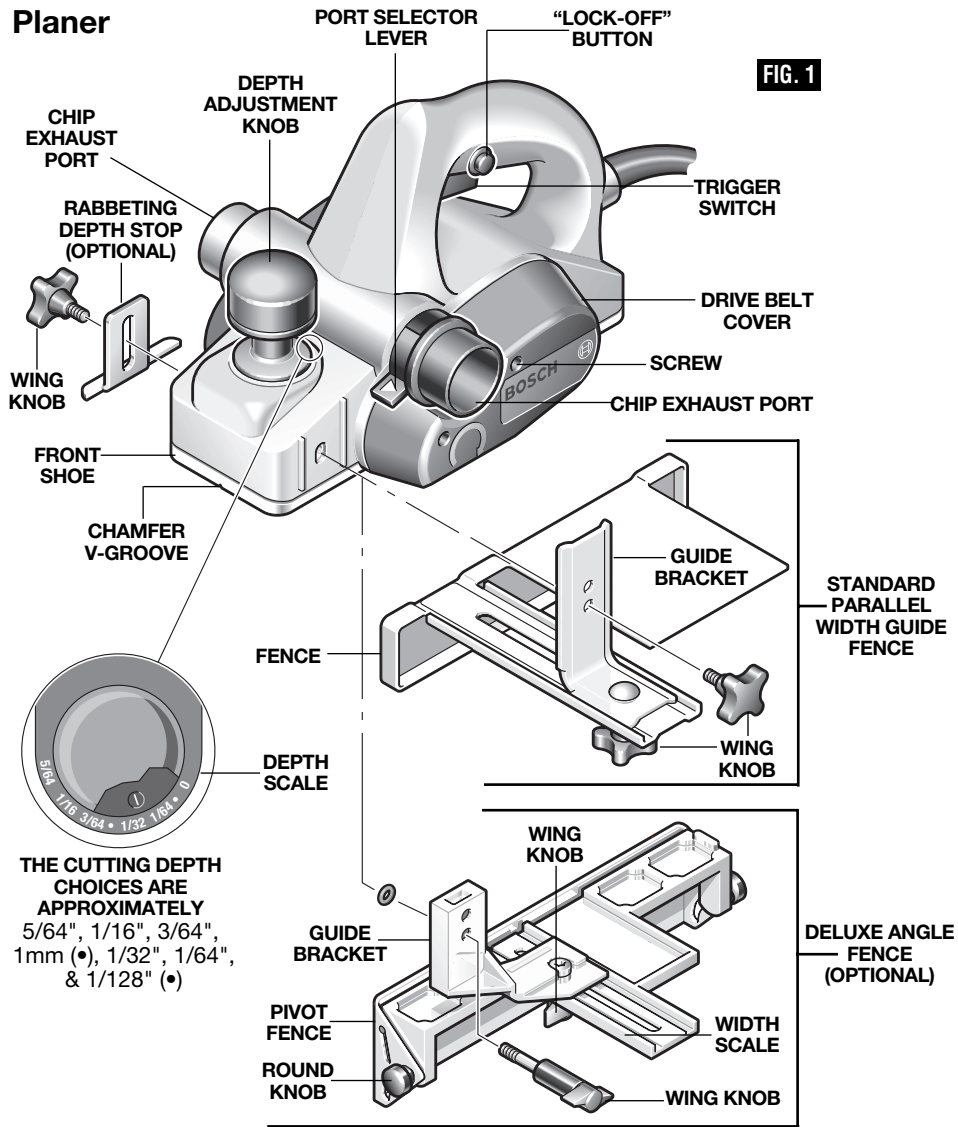


This symbol designates that this tool is listed by Underwriters Laboratories, and listed to Canadian Standards by Underwriters Laboratories.

Functional Description and Specifications

⚠ WARNING Disconnect the plug from the power source before making any assembly, adjustments or changing accessories. Such preventive safety measures reduce the risk of starting the tool accidentally.

Planer



Model number 3365
 Voltage rating 120 V ~ 50 - 60Hz
 Amperage rating 5 A
 No load speed n_0 18,000/min

Maximum Capacities
 Planing depth 0 - 5/64" (0 - 2mm)
 Rabbeting depth 0 - 5/16" (0 - 8mm)
 Cutting width 3-1/4" (82mm)*

Assembly

CHIP EXTRACTION

The planer comes with two chip exhaust ports, which may be used with a chip bag (Fig.2) or a shop vacuum and vacuum connector (Fig.3) to keep your work environment cleaner. The chip bag or vacuum connector may be attached to either end of the exhaust port.

Moving the port selector lever to position 1 (towards front of tool) discharges chips to the left, while position 2 (towards rear of tool) discharges chips to the right (Fig. 1)

PLANER BLADES

⚠ WARNING The planer blades are sharp and fragile and must be handled carefully to avoid injury to the user or damage to the blades.

The planer blades have two cutting edges, and may be reversed when one of the cutting edges becomes dull or chipped.

Do not attempt to sharpen or use resharpened used blades of any kind. Use only blades designated for use with this model, because other blades will cause vibration, decrease performance and may not clamp securely in blade holder.

REVERSING OR REPLACING BLADES

To reverse or replace the blade, loosen the clamping screws with blade wrench. With the screws loosened, slide the blade lengthwise out of the cutter drum, taking care to keep your fingers away from the sharp edges of the blade (Fig. 4).

A piece of wood may be used for this purpose. If the blade is gummed and difficult to remove, you may clean the blade with mineral spirits, lacquer thinner or alcohol.

Clean all surfaces before reinstalling the new blade, as this will ensure an accurate blade setting and proper tool performance.

BLADE ALIGNMENT

To ensure an even cut, it is important that the blade is adjusted so that it aligns with the outside edge of the front and rear shoes. This alignment can be done as follows: place a straight edge or a piece of wood along the outside surface of the front shoe and rear shoe, then slide the planer blade to just contact the straight edge or wood (Fig.5).

Make sure the blade sits correctly in the holder groove of the cutter drum.

You may then tighten the clamping screws which secure the blade and your planer is ready for use.

FIG. 2

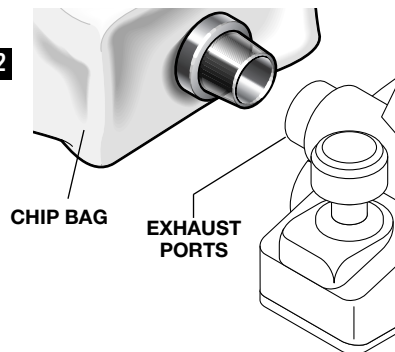


FIG. 3

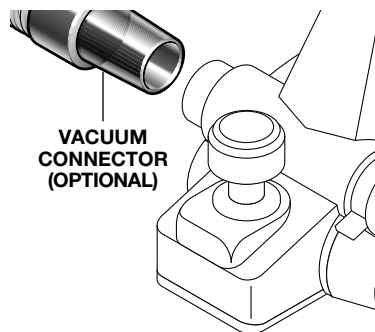


FIG. 4

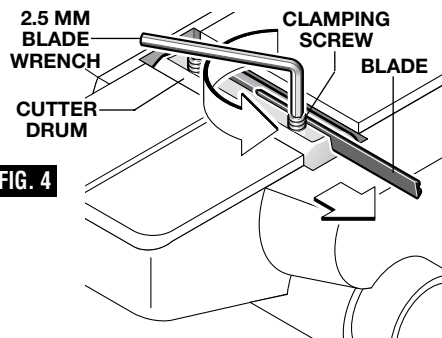
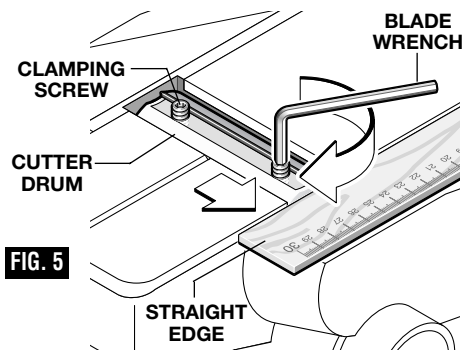


FIG. 5



Operating Instructions

TRIGGER "ON/OFF" SWITCH

⚠ WARNING Hold the tool with both hands while starting the tool, since torque from the motor can cause the tool to twist.

To turn tool "ON", depress the "Lock-OFF" button and squeeze the trigger switch. To turn the tool "OFF", release the trigger switch which is spring loaded and will return to "OFF" position automatically.

To increase switch life, do not turn switch on and off while tool and drum are held against a workpiece.

PLANING ACTION

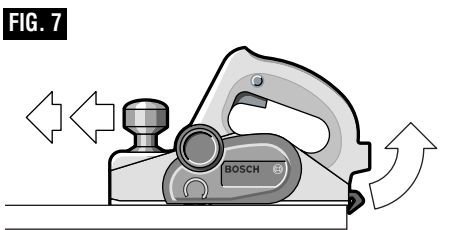
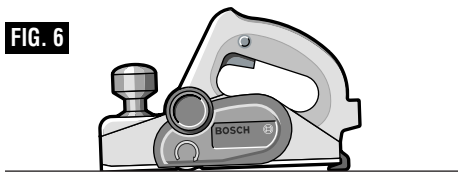
Check that the workpiece is held in place securely on your work surface, and standing comfortably, hold the planer firmly with both hands. With the planer fully adjusted, place the front shoe on the workpiece, (be certain that the cutter drum is not in contact with

the work) and start the planer as described earlier. With pressure on the front shoe, and the fence against the side of the work (to control the width or angle,) feed the planer steadily until the rear shoe fully engages the workpiece. Now gradually transfer pressure to the rear shoe, and continue planing to the end of the cut. Feed the planer at a uniform and reasonable rate, which does not put excessive strain on the motor or blades, (do not pull the planer back over the surface already cut.) Use progressive cuts until you are near the desired depth, and then re-adjust to a light cut for the final pass to obtain a good surface finish.

⚠ CAUTION The motor may stall if improperly used or overloaded. Reduce the pressure (feed rate) or depth of cut to prevent possible damage to the tool if the motor labors.

TOOL PARK REST

The park swings down to help keep the blade from coming in contact with the work surface when plane is not in use (Fig. 6). The tool park rest was designed to swing up and out of the way by itself when the back of the plane crosses the leading edge of the workpiece (Fig. 7).



ADJUSTING DEPTH OF CUT

Proper cutting depth should be determined according to the hardness, gumminess or moisture content of the material being cut,

as well as the feed rate, and is largely a matter of experience. Start with a light cut and increase the depth setting if the plane moves freely through the workpiece with no excessive load on the motor. Do not change depth of cut while planing.

The cutting depth is determined by the difference in height between the adjustable front shoe, and the fixed rear shoe of the planer. As the front shoe is adjusted, it retracts and exposes the blade, which can then remove the desired amount from the workpiece. The cutting depth is graduated from 0 to 5/64 of an inch, and the "0" indicates the blade is fully retracted.

Adjusting depth of cut: Rotate depth adjustment knob until the indicator engages the detent which indicates the desired cutting depth on the depth scale (Fig. 1).

The planer may be set to cut any depth from 0 to 5/64 of an inch.

STANDARD PARALLEL WIDTH GUIDE FENCE

The width guide fence can be used to cut various desired widths (Fig. 1).

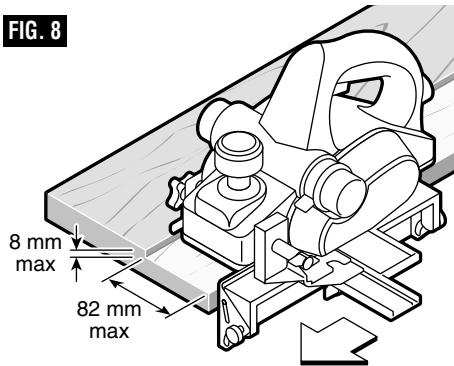
Installing the guide fence: Place the wing knob through the appropriate hole in the guide bracket and screw into the housing. Securely tighten wing knob.

Setting the cutting width: Loosen wing knob and slide the fence along the guide bracket to the desired position. Securely tighten wing knob. Be certain that the flat washer (supplied) is fitted between the bottom of the guide fence and wing knob or the guide fence is likely to slip.

DELUXE ANGLE FENCE

The optional deluxe angle fence (Fig. 8) can be used to cut various desired widths, with the additional capability of guiding the planer on any angle up to 45 degrees, to allow edge chamfering (Fig. 9).

FIG. 8



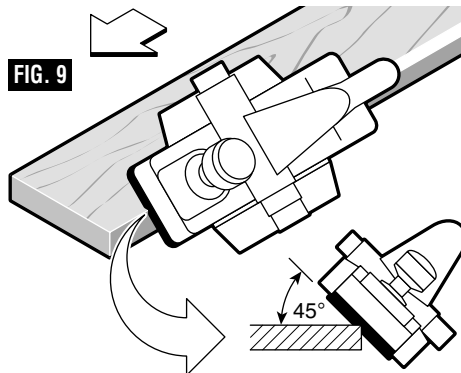
Installing the angle fence: Place the wing knob through the appropriate hole in the guide bracket and screw into the housing. Securely tighten wing knob (Fig. 1).

Setting the cutting width: Loosen wing knob and using the width scale, slide the fence along the guide bracket to the desired position. Securely tighten wing knob (Fig. 1).

Setting the cutting angle: Loosen round

knobs and pivot the fence to the desired position. Securely tighten round knobs (Fig. 1).

Note that the adjustable front shoe contains a chamfer V-groove, which will follow the corner of a workpiece to allow easier handling when using the deluxe angle/width fence (Fig. 9).



RABBETING DEPTH STOP

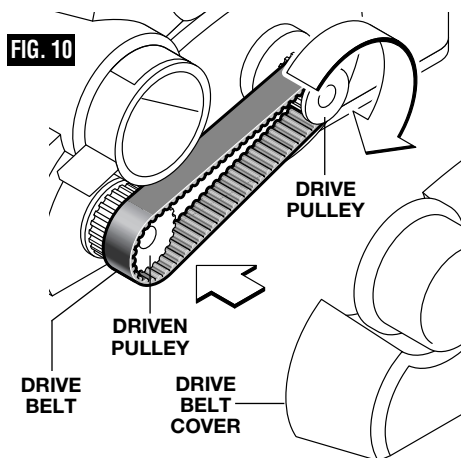
The optional rabbeting depth stop accessory (Fig. 1) allows the user to set any rabbeting depth from 0 to 5/16 inch. For best results, it is important that the blade be properly aligned (See "BLADE ALIGNMENT"). The width of the rabbet is controlled by the width fence. The maximum cutting width is 3-1/4", and the final depth is achieved by repetitive cutting until the rabbeting depth guide contacts the workpiece. The maximum rabbeting depth is 5/16"

Setting the rabbet depth: Loosen wing knob and using the depth scale on the rabbeting depth stop, set the desired rabbet depth. Securely tighten wing knob.

DRIVE BELT

The drive belt is a normal maintenance part and should be inspected periodically for wear. If the drive belt shows signs of drying out, cracking or tearing, it should be replaced. If the drive belt will not track properly or comes off the pulleys, it should be replaced.

Installing new drive belt: Loosen screw and remove the drive belt cover. Cut and remove the worn drive belt. Before installing the new drive belt, clean both pulleys thoroughly. First place the new drive belt onto the drive pulley then rotate clockwise while pushing the belt onto the driven pulley. Reinstall the drive belt cover and securely tighten screw (Fig. 10).



Maintenance

Service

⚠ WARNING Preventive maintenance performed by unauthorized personnel may result in misplacing of internal wires and components which could cause serious hazard. We recommend that all tool service be performed by a Bosch Factory Service Center or Authorized Bosch Service Station.

TOOL LUBRICATION

Your Bosch tool has been properly lubricated and is ready to use. It is recommended that tools with gears be regreased with a special gear lubricant at every brush change.

CARBON BRUSHES

The brushes and commutator in your tool have been engineered for many hours of dependable service. To maintain peak efficiency of the motor, we recommend every two to six months the brushes be examined. Only genuine Bosch replacement brushes specially designed for your tool should be used.

BEARINGS

After about 300-400 hours of operation, or at every second brush change, the bearings

should be replaced at Bosch Factory Service Center or Authorized Bosch Service Station. Bearings which become noisy (due to heavy load or very abrasive material cutting) should be replaced at once to avoid overheating or motor failure.

Cleaning

⚠ WARNING To avoid accidents always disconnect the tool from the power supply before cleaning or performing any maintenance. The tool may be cleaned most effectively with compressed dry air. Always wear safety goggles when cleaning tools with compressed air.

Ventilation openings and switch levers must be kept clean and free of foreign matter. Do not attempt to clean by inserting pointed objects through openings.

⚠ CAUTION Certain cleaning agents and solvents damage plastic parts. Some of these are: gasoline, carbon tetrachloride, chlorinated cleaning solvents, ammonia and household detergents that contain ammonia.

Accessories

⚠ WARNING If an extension cord is necessary, a cord with adequate size conductors that is capable of carrying the current necessary for your tool must be used. This will prevent excessive voltage drop, loss of power or overheating. Grounded tools must use 3-wire extension cords that have 3-prong plugs and receptacles.

NOTE: The smaller the gauge number, the heavier the cord.

RECOMMENDED SIZES OF EXTENSION CORDS 120 VOLT ALTERNATING CURRENT TOOLS

Tool's Ampere Rating	Cord Size in A.W.G.				Wire Sizes in mm ²			
	Cord Length in Feet				Cord Length in Meters			
	25	50	100	150	15	30	60	120
3-6	18	16	16	14	0.75	0.75	1.5	2.5
6-8	18	16	14	12	0.75	1.0	2.5	4.0
8-10	18	16	14	12	0.75	1.0	2.5	4.0
10-12	16	16	14	12	1.0	2.5	4.0	—
12-16	14	12	—	—	—	—	—	—

- * Standard parallel width guide fence
- ** Deluxe angle fence
- ** Rabbeting depth stop
- * Blade wrench 2.5mm
- * Carbide reversible blades (2)
- ** Vacuum connector
- ** Vacuum hose
- * Chip bag

(* = standard equipment)
(** = optional accessories)

Règles de Sécurité Générales

AVERTISSEMENT

Vous devez lire et comprendre toutes les instructions. Le non-respect, même partiel, des instructions ci-après entraîne un risque de choc électrique, d'incendie et/ou de blessures graves.

CONSERVEZ CES INSTRUCTIONS


Aire de travail

Veillez à ce que l'aire de travail soit propre et bien éclairée. Le désordre et le manque de lumière favorisent les accidents.

N'utilisez pas d'outils électriques dans une atmosphère explosive, par exemple en présence de liquides, de gaz ou de poussières inflammables. Les outils électriques créent des étincelles qui pourraient enflammer les poussières ou les vapeurs.

Tenez à distance les curieux, les enfants et les visiteurs pendant que vous travaillez avec un outil électrique. Ils pourraient vous distraire et vous faire faire une fausse manoeuvre.

Sécurité électrique

Les outils à double isolation sont équipés d'une fiche polarisée (une des lames est plus large que l'autre), qui ne peut se brancher que d'une seule façon dans une prise polarisée. Si la fiche n'entre pas parfaitement dans la prise, inversez sa position ; si elle n'entre toujours pas bien, demandez à un électricien qualifié d'installer une prise de courant polarisée. Ne modifiez pas la fiche de l'outil. La double isolation  élimine le besoin d'un cordon d'alimentation à trois fils avec mise à la terre ainsi que d'une prise de courant mise à la terre. *Avant de brancher l'outil, assurez-vous que la tension de la prise correspond, à celle indiquée sur la plaque signalétique. N'utilisez pas d'outils prévus pour courant alternatif seulement avec une source de courant continu.*

Évitez tout contact corporel avec des surfaces mises à la terre (tuyauterie, radiateurs, cuisinières, réfrigérateurs, etc.). Le risque de choc électrique est plus grand si votre corps est en contact avec la terre. Si l'utilisation de l'outil électrique dans un endroit humide est inévitable, un disjoncteur de fuite à la terre doit être utilisé pour alimenter votre outil. Des chaussures et des gants en caoutchouc d'électricien contribueront à accroître davantage votre sécurité personnelle.

N'exposez pas les outils électriques à la pluie ou à l'eau. La présence d'eau dans un outil électrique augmente le risque de choc électrique.

Ne maltraitez pas le cordon. Ne transportez pas l'outil par son cordon et ne débranchez pas la fiche en tirant sur le cordon. N'exposez pas le cordon à la chaleur, à des huiles, à des arêtes vives ou à des pièces en mouvement. Remplacez immédiatement un cordon endommagé. Un cordon endommagé augmente le risque de choc électrique.

Lorsque vous utilisez un outil électrique à l'extérieur, employez un prolongateur pour l'extérieur marqué « W-A » ou « W ». Ces cordons sont faits pour être utilisés à l'extérieur et réduisent le risque de choc électrique. Reportez-vous aux « Dimensions recommandées des cordons de rallonge » dans la section Accessoires de ce manuel.

Sécurité des personnes

Restez alerte, concentrez-vous sur votre travail et faites preuve de jugement. N'utilisez pas un outil électrique si vous êtes fatigué ou sous l'influence de drogues, d'alcool ou de médicaments. Un instant d'inattention suffit pour entraîner des blessures graves.

Habillez-vous convenablement. Ne portez ni vêtements flottants ni bijoux. Confinez les cheveux longs. N'approchez jamais les cheveux, les vêtements ou les gants des pièces en mouvement. Des vêtements flottants, des bijoux ou des cheveux longs risquent d'être happés par des pièces en mouvement. Gardez les poignées sèches, propres et exemptes d'huile et de graisse.

Méfiez-vous d'un démarrage accidentel. Avant de brancher l'outil, assurez-vous que son interrupteur est sur ARRÊT. Le fait de transporter un outil avec le doigt sur la détente ou de brancher un outil dont l'interrupteur est en position MARCHE peut mener tout droit à un accident.

Enlevez les clés de réglage ou de serrage avant de démarrer l'outil. Une clé laissée dans une pièce tournante de l'outil peut provoquer des blessures.

Ne vous penchez pas trop en avant. Maintenez un bon appui et restez en équilibre tout le temps. Une bonne stabilité vous permet de mieux réagir à une situation inattendue.

Utilisez des accessoires de sécurité. Portez toujours des lunettes ou une visière. Selon les conditions, portez aussi un masque antipoussière, des bottes de sécurité antidérapantes, un casque protecteur et/ou un appareil antibruit.

Utilisation et entretien des outils

Immobilisez le matériau sur une surface stable au moyen de brides ou de toute autre façon adéquate. Le fait de tenir la pièce avec la main ou contre votre corps offre une stabilité insuffisante et peut amener un dérapage de l'outil.

Ne forcez pas l'outil. Utilisez l'outil approprié à la tâche. L'outil correct fonctionne mieux et de façon plus sécuritaire. Respectez aussi la vitesse de travail qui lui est propre.

N'utilisez pas un outil si son interrupteur est bloqué. Un outil que vous ne pouvez pas commander par son interrupteur est dangereux et doit être réparé.

Débranchez la fiche de l'outil avant d'effectuer un réglage, de changer d'accessoire ou de ranger l'outil. De telles mesures préventives de sécurité réduisent le risque de démarrage accidentel de l'outil.

Rangez les outils hors de la portée des enfants et d'autres personnes inexpérimentées. Les outils sont dangereux dans les mains d'utilisateurs novices.

Prenez soin de bien entretenir les outils. Les outils de coupe doivent être toujours bien affûtés et propres. Des outils bien entretenus, dont les arêtes sont bien tranchantes, sont moins susceptibles de coincer et plus faciles à diriger. Toute altération ou modification constitue un usage erroné et peut causer un danger.

Soyez attentif à tout désalignement ou coincement des pièces en mouvement, à tout bris ou à toute autre condition préjudiciable au bon fonctionnement de l'outil. Si vous constatez qu'un outil est endommagé,

faites-le réparer avant de vous en servir. De nombreux accidents sont causés par des outils en mauvais état. Élaborez un calendrier d'entretien périodique de votre outil.

N'utilisez que des accessoires que le fabricant recommande pour votre modèle d'outil. Certains accessoires peuvent convenir à un outil, mais être dangereux avec un autre.

Réparation

La réparation des outils électriques doit être confiée à un réparateur qualifié. L'entretien ou la réparation d'un outil électrique par un amateur peut avoir des conséquences graves. Ainsi, des fils internes peuvent être mal placés ou pincés, des ressorts de rappel de protecteur peuvent être montés erronément.

Pour la réparation d'un outil, n'employez que des pièces de rechange d'origine. Suivez les directives données à la section « Réparation » de ce manuel. L'emploi de pièces non autorisées ou le non-respect des instructions d'entretien peut créer un risque de choc électrique ou de blessures. Certains agents nettoyants tels qu'essence, tétrachlorure de carbone, ammoniac, etc., peuvent abîmer les pièces en plastique.

Consignes de sécurité pour les rabots

Fixez la pièce à raboter. Ne la tenez jamais à la main et ne la posez jamais sur vos genoux. Les petites pièces doivent être correctement bridées pour les empêcher d'être happées par la rotation des fers du rabot quand on pousse celui-ci vers l'avant. Si le support est instable, les fers risquent de coincer et de causer une perte de contrôle et des blessures.

Démarrez toujours le rabot et laissez-le monter en régime avant de mettre le fer en contact avec la pièce. L'outil risque de vibrer ou de sursauter si la vitesse du fer est trop faible quand on commence le rabotage et il risque de reculer brutalement.

Vérifiez que la pièce est exempte de clous. S'il y a des clous, enlevez-les ou chassez-les bien en dessous de la dimension souhaitée pour la surface terminée. Si les fers du rabot rencontrent des objets tels que des clous, l'outil risque de reculer brutalement et de causer des blessures corporelles graves.

Débranchez le rabot avant de changer tout accessoire. Avant de brancher l'outil, vérifiez que la gâchette est sur la position « arrêt » (OFF). Si le rabot reste branché quand on change un accessoire, il y a risque de démarrage intempestif.

Après avoir changé les fers, faites tourner le cylindre porte-fers (tambour) pour vérifier que les fers ne touchent aucune partie du carter et que les vis de blocage des fers sont serrées. Les fers en rotation risquent de heurter le carter de l'outil et d'abîmer celui-ci. Ils risquent aussi de causer des blessures.

Tenez toujours l'outil fermement à deux mains pour mieux le maîtriser.

Ne tirez jamais le rabot vers l'arrière sur la surface de la pièce. Vous risquez d'en perdre le contrôle.

Ne mettez pas les doigts ou tout autre objet dans la buse d'évacuation des copeaux. Ne dégagez jamais les copeaux avec l'outil en marche. Vous vous blesseriez si vous touchiez le tambour porte-fers.

Débranchez la prise s'il devenait nécessaire de dégager les copeaux. Les fers sont cachés et ils risquent de vous couper si vous les touchez.

Ne posez jamais le rabot avant que le fer soit à l'arrêt complet. Si le fer touchait une surface lorsque le tambour est en roue libre, vous risqueriez de perdre le contrôle de votre rabot.




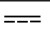
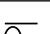
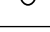

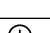

⚠ AVERTISSEMENT Les travaux à la machine tel que ponçage, sciage, meulage, perçage et autres travaux du bâtiment peuvent créer des poussières contenant des produits chimiques qui sont des causes reconnues de cancer, de malformation congénitale ou d'autres problèmes reproductifs. Ces produits chimiques sont, par exemple :

- Le plomb provenant des peintures à base de plomb,
- Les cristaux de silices provenant des briques et du ciment et d'autres produits de maçonnerie, et
- L'arsenic et le chrome provenant des bois traités chimiquement.

Le niveau de risque dû à cette exposition varie avec la fréquence de ces types de travaux. Pour réduire l'exposition à ces produits chimiques, il faut travailler dans un lieu bien ventilé et porter un équipement de sécurité approprié tel que certains masques à poussière conçus spécialement pour filtrer les particules microscopiques.

Symboles

IMPORTANT : Certains des symboles suivants peuvent être utilisés sur votre outil. Veuillez les étudier et apprendre leur signification. Une interprétation appropriée de ces symboles vous permettra d'utiliser l'outil de façon plus efficace et plus sûre.

Symbole	Nom	Désignation/Explication
V	Volts	Tension (potentielle)
A	Ampères	Courant
Hz	Hertz	Fréquence (cycles par seconde)
W	Watt	Puissance
kg	Kilogrammes	Poids
min	Minutes	Temps
s	Secondes	Temps
∅	Diamètre	Taille des mèches de perceuse, meules, etc.
n_0	Vitesse à vide	Vitesse de rotation, à vide
.../min	Tours ou mouvement alternatif par minute	Tours, coups, vitesse en surface, orbites, etc., par minute
0	Position d'arrêt	Vitesse zéro, couple zéro ...
1, 2, 3, ... I, II, III, ...	Réglages du sélecteur	Réglages de vitesse, de couple ou de position. Un nombre plus élevé signifie une vitesse plus grande.
	Sélecteur variable à l'infini avec arrêt	La vitesse augmente depuis le réglage 0
	Flèche	Action dans la direction de la flèche
	Courant alternatif	Type ou caractéristique du courant
	Courant continu	Type ou caractéristique du courant
	Courant alternatif ou continu	Type ou caractéristique du courant
	Construction classe II isolation	Désigne des outils construits avec double
	Borne de terre	Borne de mise à la terre
	Symbole d'avertissement	Alerte l'utilisateur aux messages d'avertissement.
	Sceau Ni-Cad RBRC™	Désigne le programme de recyclage des piles Ni-Cad.



Ce symbole signifie que cet outil est approuvé par Underwriters Laboratories.



Ce symbole signifie que cet outil est approuvé conformément aux normes canadiennes par Underwriters Laboratories.



Ce symbole signifie que cet outil se conforme aux normes mexicaines NOM.



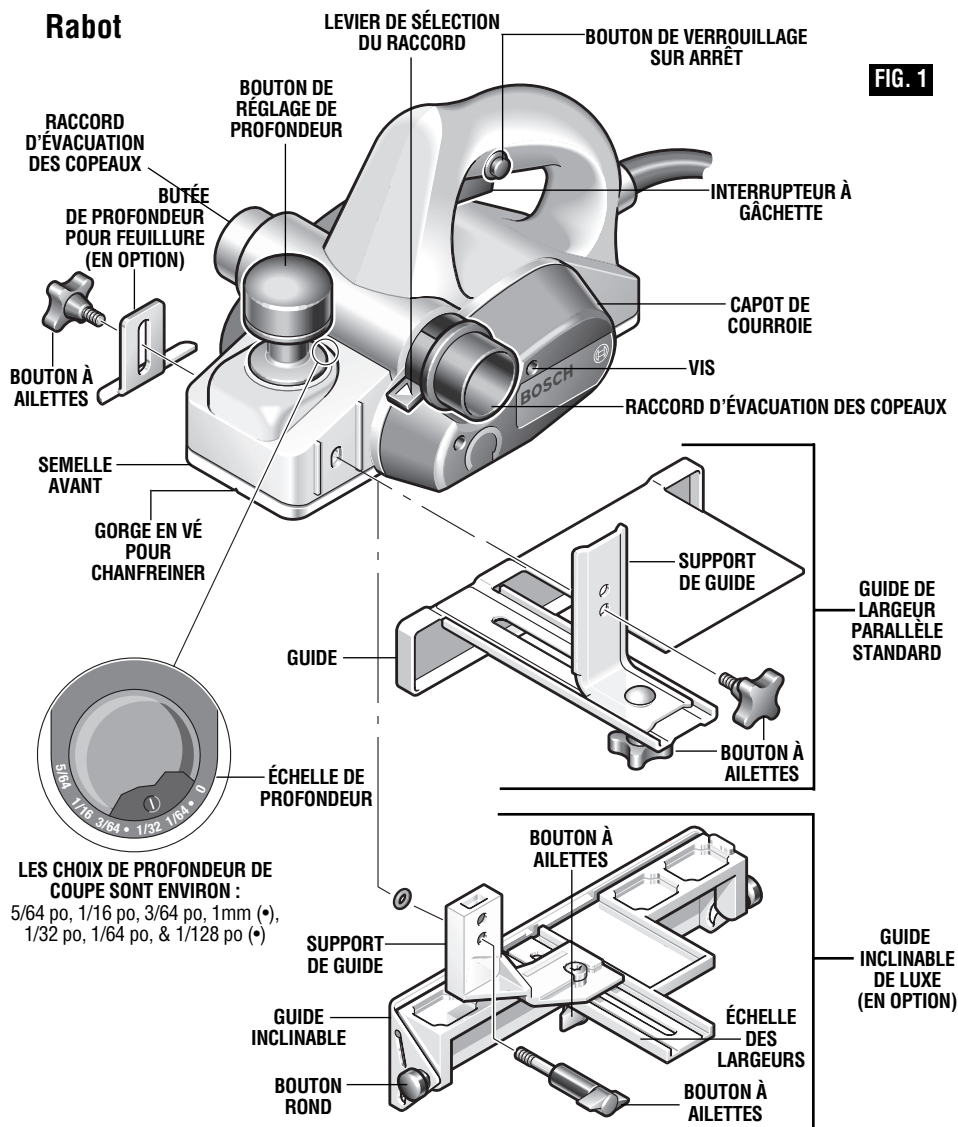
Ce symbole signifie que cet outil est approuvé par l'Association canadienne de normalisation.



Ce symbole signifie que cet outil est approuvé par Underwriters Laboratories et qu'il a été homologué selon les normes canadiennes par Underwriters Laboratories.

Description fonctionnelle et spécifications

⚠ AVERTISSEMENT Débranchez la fiche de la prise de courant avant d'effectuer quelque assemblage ou réglage que ce soit ou de changer les accessoires. Ces mesures de sécurité préventive réduisent le risque d'une mise en marche accidentelle de l'outil.



Numéro de modèle 3365
 Tension nominale 120 V ~ 50 - 60Hz
 Intensité nominale 5 A
 Régime à vide n_0 18,000/min

Capacités maximales
 Profondeur de rabotage 0 à 5/64 po (0 à 2 mm)
 Profondeur des feuillures 0 à 5/16 po (0 à 8 mm)
 Largeur de rabotage 3-1/4 po (82 mm)*

Assemblage

ÉVACUATION DES COPEAUX

Le rabot est muni de deux raccords d'évacuation de copeaux sur lesquels on peut brancher soit un sac à copeaux (Fig. 2) soit un aspirateur d'atelier avec un raccord d'aspiration (Fig. 3) pour améliorer la propreté de votre environnement de travail. Le sac à copeaux ou le raccord d'aspiration peut être branché sur l'un ou l'autre des raccords d'évacuation.

Quand le levier de sélection du raccord est en position 1, (vers l'avant de l'outil), les copeaux sont évacués à gauche. En position 2 (vers l'arrière de l'outil), les copeaux sont évacués à droite (Fig. 1).

FERS DE RABOT

⚠ AVERTISSEMENT Les fers de rabot sont coupants et fragiles. Ils doivent être manipulés avec soin pour éviter de se blesser ou de les abîmer.

Les fers ont deux bords tranchants et ils peuvent être retournés quand un des tranchants est émoussé ou ébréché.

N'essayez pas d'affûter les fers ou d'utiliser des fers ré-affûtés quels qu'ils soient. N'utilisez que des fers conçus pour ce modèle. Toute autre fer risque de causer des vibrations, de réduire la performance de la machine ou d'être mal serrée dans le fer-lame.

RETOURNEMENT OU REMPLACEMENT DES FERS

Pour retourner ou remplacer le fer, desserrer les vis de blocage à l'aide de la clé à fers. Une fois les vis desserrées, faites glisser le fer dans le sens axial pour le sortir du tambour en faisant bien attention d'éloigner les doigts des bords tranchants du fer (Fig. 4).

Vous pouvez utiliser un morceau de bois pour cette opération. Si le fer est encrassé et difficile à enlever, vous pouvez le nettoyer avec du solvant, du diluant à vernis ou de l'alcool.

Nettoyez toutes les surfaces avant de monter le fer neuf. Cela assurera qu'il est positionné précisément et permettra à l'outil de fonctionner correctement.

ALIGNEMENT DU FER

Pour que le rabotage soit régulier, le fer doit être à ras des bords extérieurs des semelles avant et arrière. Pour effectuer l'alignement, placez un règle ou un morceau de bois le long de l'extérieur des semelles avant et arrière, et ensuite enfoncez la lame jusqu'à ce qu'elle touche tout juste le règle ou le morceau de bois (Fig. 5).

Assurez-vous que le fer est bien en place dans la fente du tambour.

Vous pouvez maintenant serrer les vis de blocage qui tiennent le fer en place. Votre rabot est alors prêt à l'emploi.

FIG. 2

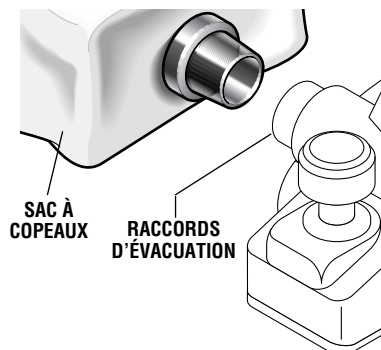


FIG. 3

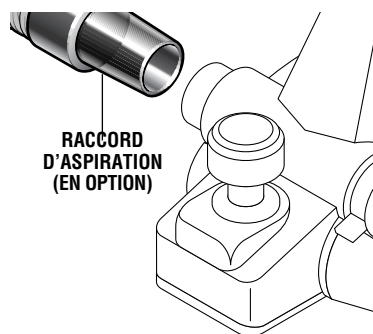


FIG. 4

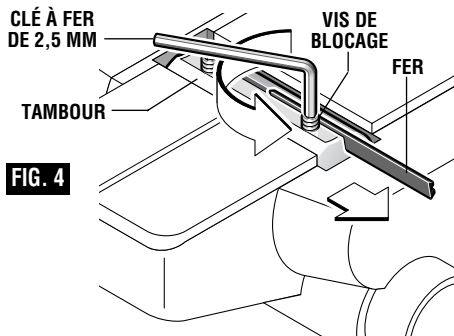
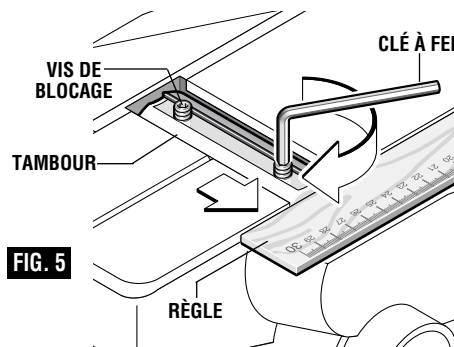


FIG. 5



Consignes de fonctionnement

INTERRUPTEUR MARCHE/ARRÊT À GÂCHETTE

⚠ AVERTISSEMENT Tenez l'outil à deux mains quand vous le démarrez car le couple du moteur risque de le faire pivoter.

Pour mettre l'outil en marche, enfoncez le bouton de verrouillage sur arrêt et appuyez sur l'interrupteur à gâchette. Pour arrêter l'outil, lâchez la gâchette. Elle est rappelée par ressort et reviendra automatiquement à la position arrêt.

Pour allonger la durée de vie de l'interrupteur, ne démarrez pas l'outil ou ne l'arrêtez pas quand celui-ci ou le tambour est appuyé contre la pièce à raboter.

RABOTAGE

Vérifiez que la pièce est bien fixée sur votre surface de travail. Placez-vous debout dans une position confortable et saisissez le rabot fermement avec les deux mains. Avec le rabot bien réglé, posez la semelle avant sur la pièce (en s'assurant que la tambour ne touche pas la pièce) et démarrez le rabot comme

décrit précédemment. Tout en maintenant la pression sur la semelle avant et avec le guide contre le côté de la pièce (pour obtenir la largeur ou l'angle de coupe désiré), faire avancer le rabot régulièrement jusqu'à ce que la semelle arrière repose complètement sur la pièce. Transférez alors graduellement la pression vers la semelle arrière et continuez à raboter jusqu'à la fin de la passe. Faites avancer le rabot à une vitesse régulière et raisonnable pour ne pas placer de contraintes excessives sur le moteur ou les fers, (ne faites pas avancer le rabot en la mauvaise direction). Faites des passes progressives jusqu'à ce que vous soyez près de la profondeur finale. Réglez alors le rabot pour une profondeur de coupe faible qui vous permettra d'obtenir un meilleur fini lors de la dernière passe.

⚠ MISE EN GARDE Il se peut que le moteur cale en cas d'usage incorrect ou de surcharge. Réduire la pression (vitesse d'avance) ou la profondeur de coupe pour éviter d'abîmer l'outil quand le moteur peine.

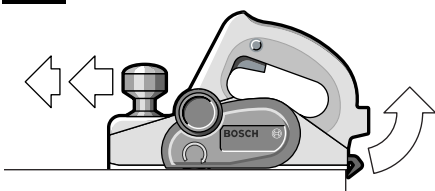
REPOSOIR DE L'OUTIL

Le reposoir pivote vers le bas pour empêcher le fer de toucher la surface de la pièce quand on n'utilise pas le rabot (Fig. 6). Le reposoir de l'outil est conçu pour pivoter vers le haut automatiquement quand l'arrière du rabot passe au niveau de l'extrémité de début de la pièce (Fig. 7).

FIG. 6



FIG. 7



RÉGLAGE DE LA PROFONDEUR DE COUPE

La profondeur de coupe correcte dépend de la dureté du matériau, de son aspect gommeux et de son taux

d'humidité aussi bien que de la vitesse d'avance. Sa détermination requiert de l'expérience. Commencez avec une profondeur faible et augmentez-la si le rabot se déplace facilement sur la pièce sans sollicitation excessive du moteur. Ne changez pas la profondeur de coupe pendant le rabotage.

La profondeur de coupe est déterminée par la différence de hauteur entre la semelle avant réglable et la semelle arrière fixe. Quand on règle la semelle avant, elle se rétracte et fait apparaître le fer, qui peut alors raboter la profondeur désirée sur la pièce. La profondeur de coupe est graduée de 0 à 5/64 po, avec '0' indiquant que le fer est complètement rentré.

Réglage de la profondeur de coupe : Faites tourner le bouton de réglage de la profondeur jusqu'à ce que l'index s'enclenche dans le cran, ce qui indique la profondeur de coupe désirée sur le cadran de profondeur (Fig. 1).

Le rabot peut être réglé pour n'importe quelle profondeur de coupe entre 0 et 5/64 po.

GUIDE DE LARGEUR PARALLÈLE STANDARD

Le guide de largeur peut être utilisé pour raboter des largeurs variées (Fig. 1).

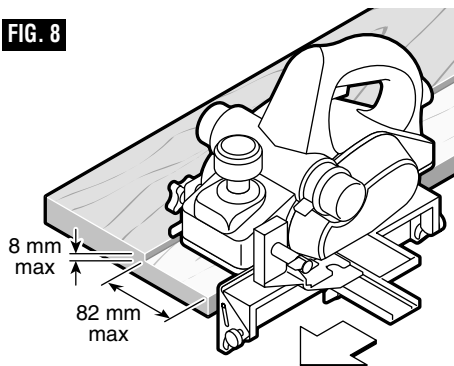
Montage du guide : Enfilez le bouton à ailettes dans le trou du support de guide approprié et vissez-le dans le carter. Serrez fermement le bouton à ailette.

Réglage de la largeur de rabotage : Desserrez le bouton à ailettes et faites coulisser le guide le long de son support pour le mettre à la position souhaitée. Serrez fermement le bouton à ailettes. Assurez-vous que la rondelle plate (fournie) est installée correctement entre le dessous du guide et le bouton à ailettes, sinon, il est probable que le guide se dérèglera.

GUIDE INCLINABLE DE LUXE

Le guide inclinable de luxe en option (Fig. 8) peut être utilisé pour raboter à des largeurs variées et aussi pour raboter des chanfreins à tout angle inférieur ou égal à 45 degrés (Fig. 9).

FIG. 8



Montage du guide inclinable : Enfilez le bouton à ailettes par le trou approprié du support de guide et vissez-le dans le carter. Serrez fermement le bouton à ailettes (Fig. 1).

Réglage de la largeur de coupe : Desserrez le bouton à ailettes et, en vous aidant de l'échelle des largeurs, faites coulisser le guide le long de son support pour le mettre à la position souhaitée. Serrez fermement le bouton à ailettes (Fig. 1).

Réglage de l'angle : Desserrez les boutons ronds et

faites pivoter le guide à la position désirée. Serrez fermement les boutons ronds (Fig. 1).

Remarquez que la semelle avant réglable est munie d'une rainure en V pour chanfreins qui permet de suivre l'arête de la pièce pour faciliter le rabotage quand vous utilisez le guide inclinable de luxe (Fig. 9).

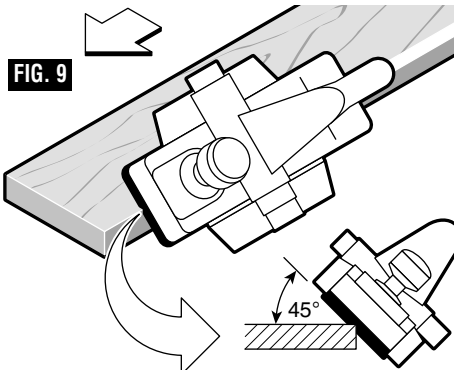


FIG. 9

BUTÉE DE PROFONDEUR POUR FEUILLURES

La butée de profondeur pour feuillures, vendue en option, (Fig. 1) vous permet de régler le rabot pour réaliser des feuillures de profondeur quelconque entre 0 et 5/16 po. Pour obtenir de bons résultats, il faut que le fer soit aligné correctement (voir ALIGNEMENT DU FER). La largeur de la feuillure se règle avec le guide de largeur. Sa largeur maximale est de 3 - 1/4 po. La profondeur finale s'obtient en faisant des passes successives jusqu'à ce que la butée de profondeur pour feuillures touche la surface de la pièce. La profondeur maximale de la feuillure est de 5/16 po.

Réglage de la profondeur de la feuillure : Desserrez le bouton à ailettes et, en vous aidant de l'échelle de profondeur sur la butée de profondeur pour feuillures, réglez à la profondeur désirée. Serrez fermement le bouton à ailettes.

COURROIE DE TRANSMISSION

La courroie de transmission est une pièce d'usure normale. Contrôlez son usure périodiquement. Si elle apparaît se dessécher, se fissurer ou se déchirer, il faut la remplacer. Si elle ne reste pas en ligne ou glisse des poulies, il faut également la remplacer.

Montage d'une courroie neuve : desserrer la vis et enlever le capot de courroie. Coupez et enlevez la courroie usée. Avant de monter la courroie neuve, nettoyez à fond les deux poulies. Commencez par placer la courroie neuve sur la poulie menante, ensuite tournez la courroie en sens horaire tout en la poussant sur la poulie menée. Remontez le capot de courroie et serrez la vis fermement (Fig. 10).

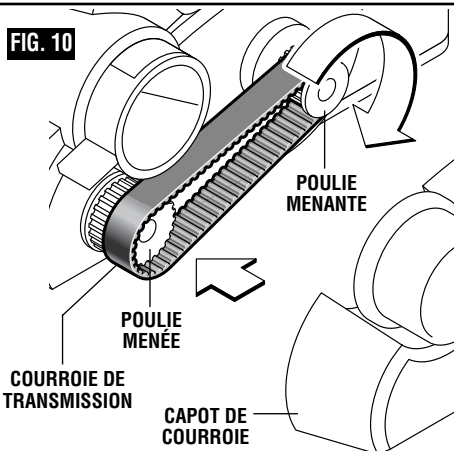


FIG. 10

Entretien

Service

⚠ AVERTISSEMENT Tout entretien préventif effectué par des personnels non autorisés peut résulter en mauvais placement de fils internes ou de pièces, ce qui peut présenter un danger grave. Nous vous conseillons de faire faire tout l'entretien par un centre de service d'usine Bosch ou une station service agréée Bosch.

LUBRIFICATION DE L'OUTIL

Votre outil Bosch a été lubrifié correctement en usine et il est prêt à l'utilisation. Nous vous conseillons de re-graisser les outils qui comportent des engrenages avec un lubrifiant à engrenages spécial à chaque fois que vous changez les balais.

BALAIS OU CHARBONS

Les balais (ou charbons) et le collecteur de votre outil ont été conçus pour apporter de nombreuses heures de fonctionnement fiable. Pour maintenir le rendement du moteur à son maximum, nous vous conseillons de contrôler les balais tous les deux à six mois. Il ne faut utiliser que des balais de rechange Bosch d'origine et conçus pour votre outil.

PALIER

Après environ 300 à 400 heures de fonctionnement ou tous les deux changements de balais, il est conseillé

de faire remplacer les paliers par un centre de service d'usine Bosch ou une station service agréée Bosch. Si les paliers commencent à faire du bruit (à cause de surcharges importantes ou du toupillage de matériaux très abrasifs) il faut les faire remplacer immédiatement pour éviter la surchauffe ou une panne de moteur.

Nettoyage

⚠ AVERTISSEMENT Pour éviter les accidents, il faut toujours débrancher l'outil avant de le nettoyer ou de l'entretenir. Le meilleur moyen de nettoyer l'outil est d'utiliser de l'air comprimé sec. Il faut toujours porter des lunettes de protection quand on utilise de l'air comprimé.

Les ouïes de ventilation et les leviers de l'interrupteur doivent rester propres et exempts de corps étrangers. Ne tentez pas de les nettoyer en enfonçant des objets pointus dans les orifices.

⚠ MISE EN GARDE Certains agents de nettoyages et certains dissolvants abîment les pièces en plastique. Parmi ceux-ci se trouvent: l'essence, le tétrachlorure de carbone, les dissolvants de nettoyage chlorés, l'ammoniaque ainsi que les détergents domestiques qui en contiennent.

Accessoires

⚠ AVERTISSEMENT Si un cordon de rallonge s'avère nécessaire, vous devez utiliser un cordon avec conducteurs de dimension adéquate pouvant porter le courant nécessaire à votre outil. Ceci préviendra une chute excessive de tension, une perte de courant ou une surchauffe. Les outils mis à la terre doivent utiliser des cordons de rallonge trifilaires pourvus de fiches à trois broches ainsi que des prises à trois broches.

REMARQUE : Plus le calibre est petit, plus le fil est gros.

DIMENSIONS DE RALLONGES RECOMMANDÉES OUTILS 120 VOLTS COURANT ALTERNATIF

Intensité nominale de l'outil	Calibre A.W.G.				Calibre en mm ²			
	Longueur en pieds				Longueur en mètres			
	25	50	100	150	15	30	60	120
3-6	18	16	16	14	0,75	0,75	1,5	2,5
6-8	18	16	14	12	0,75	1,0	2,5	4,0
8-10	18	16	14	12	0,75	1,0	2,5	4,0
10-12	16	16	14	12	1,0	2,5	4,0	—
12-16	14	12	—	—	—	—	—	—

- * Guide de largeur parallèle standard
- ** Guide inclinable de luxe
- ** Butée de profondeur pour feuillures
- * Clé à fer de 2,5 mm
- * Fers en carbure réversibles (2)
- ** Raccord d'aspiration
- ** Tuyau d'aspiration
- * Sac à copeaux

- (* = équipement de série)
- (** = accessoires optionnels)

Normas de seguridad para herramientas mecánicas



ADVERTENCIA Lea y entienda todas las instrucciones. El incumplimiento de todas las instrucciones indicadas a continuación puede dar lugar a sacudidas eléctricas, incendios y/o lesiones personales graves.

CONSERVE ESTAS INSTRUCCIONES


Area de trabajo

Mantenga el área de trabajo limpia y bien iluminada. Las mesas desordenadas y las áreas oscuras invitan a que se produzcan accidentes.

No utilice herramientas mecánicas en atmósferas explosivas, tales como las existentes en presencia de líquidos, gases o polvos inflamables. Las herramientas mecánicas generan chispas y éstas pueden dar lugar a la ignición del polvo o los vapores.

Mantenga a las personas que se encuentren presentes, a los niños y a los visitantes alejados al utilizar una herramienta mecánica. Las distracciones pueden hacer que usted pierda el control.

Seguridad eléctrica

Las herramientas con aislamiento doble están equipadas con un enchufe polarizado (un terminal es más ancho que el otro). Este enchufe entrará en un tomacorriente polarizado solamente de una manera. Si el enchufe no entra por completo en el tomacorriente, déle la vuelta. Si sigue sin entrar, póngase en contacto con un electricista competente para instalar un tomacorriente polarizado. No haga ningún tipo de cambio en el enchufe. El aislamiento doble  elimina la necesidad del sistema de cordón de energía de tres hilos conectado a tierra y la fuente de energía conectada a tierra. *Antes de enchufar la herramienta, asegúrese de que la tensión del tomacorriente suministrada se encuentre dentro del margen de la tensión especificada en la placa del fabricante. No utilice herramientas con capacidad nominal "AC solamente" ("AC only") con una fuente de energía DC.*

Evite el contacto del cuerpo con las superficies conectadas a tierra tales como tuberías, radiadores, estufas de cocina y refrigeradores. Hay mayor riesgo de que se produzcan sacudidas eléctricas si su cuerpo está conectado a tierra. Si la utilización de la herramienta mecánica en lugares húmedos es inevitable, se debe usar un interruptor de circuito para fallos a tierra para suministrar la energía a la herramienta. Los guantes de goma para electricista y el calzado antideslizante aumentarán más la seguridad personal.

No exponga las herramientas mecánicas a la lluvia ni a situaciones húmedas. La entrada de agua en una herramienta mecánica aumentará el riesgo de que se produzcan sacudidas eléctricas.

No abuse del cordón. Nunca use el cordón para llevar las herramientas ni para sacar el enchufe de un tomacorriente. Mantenga el cordón alejado del calor, el

aceite, los bordes afilados o las piezas móviles. Cambie los cordones dañados inmediatamente. Los cordones dañados aumentan el riesgo de que se produzcan sacudidas eléctricas.

Al utilizar una herramienta mecánica a la intemperie, utilice un cordón de extensión para intemperie marcado "W-A" o "W". Estos cordones tienen capacidad nominal para uso a la intemperie y reducen el riesgo de que se produzcan sacudidas eléctricas. Consulte "Tamaños recomendados de los cordones de extensión" en la sección Accesorios de este manual.

Seguridad personal

Manténgase alerta, fíjese en lo que está haciendo y use el sentido común cuando utilice una herramienta mecánica. No use la herramienta cuando esté cansado o se encuentre bajo la influencia de drogas, alcohol o medicamentos. Un momento de distracción al utilizar herramientas mecánicas puede dar lugar a lesiones personales graves.

Vístase adecuadamente. No se ponga ropa holgada ni joyas. Sujétese el pelo. Mantenga el pelo, la ropa y los guantes alejados de las piezas móviles. La ropa holgada, las joyas o el pelo largo pueden quedar atrapados en las piezas móviles. Mantenga los mangos secos, limpios y libres de aceite y grasa.

Evite el arranque accidental. Asegúrese de que el interruptor esté en la posición "OFF" (apagado) antes de enchufar la herramienta. El llevar las herramientas con el dedo en el interruptor o el enchufar herramientas que tengan el interruptor en la posición "ON" (encendido) invita a que se produzcan accidentes.

Quite las llaves de ajuste o de tuerca antes de encender la herramienta. Una llave de ajuste o de tuerca que se deje puesta en una pieza giratoria de la herramienta puede ocasionar lesiones personales.

No intente alcanzar demasiado lejos. Mantenga un apoyo de los pies y un equilibrio adecuados en todo momento. El apoyo de los pies y el equilibrio adecuados permiten un mejor control de la herramienta en situaciones inesperadas.

Utilice equipo de seguridad. Use siempre protección de los ojos. Se debe utilizar una máscara antipolvo, zapatos de seguridad antideslizantes, casco o protección de los oídos según lo requieran las condiciones.

Utilización y cuidado de las herramientas
Utilice abrazaderas u otro modo práctico de fijar y soportar la pieza de trabajo a una plataforma estable.

La sujeción de la pieza de trabajo con la mano o contra el cuerpo resulta inestable y puede ocasionar pérdida de control.

No fuerce la herramienta. Use la herramienta correcta para la aplicación que desea. La herramienta correcta hará el trabajo mejor y con más seguridad a la capacidad nominal para la que está diseñada.

No utilice la herramienta si el interruptor no la enciende o apaga. Toda herramienta que no se pueda controlar con el interruptor es peligrosa y debe ser reparada.

Desconecte el enchufe de la fuente de energía antes de hacer cualquier ajuste, cambiar accesorios o guardar la herramienta. Estas medidas de seguridad preventivas reducen el riesgo de arrancar la herramienta accidentalmente.

Guarde las herramientas que no esté usando fuera del alcance de los niños y otras personas no capacitadas. Las herramientas son peligrosas en las manos de los usuarios no capacitados.

Mantenga las herramientas con cuidado. Conserve las herramientas de corte afiladas y limpias. Las herramientas mantenidas adecuadamente, con bordes de corte afilados, tienen menos probabilidades de atascarse y son más fáciles de controlar. Toda alteración o modificación constituye un uso incorrecto y puede tener como resultado una situación peligrosa.

Compruebe la desalineación o el atasco de las piezas móviles, la ruptura de piezas y cualquier otra situación que pueda afectar el funcionamiento de las

herramientas. Si la herramienta está dañada, haga que realicen un servicio de ajustes y reparaciones a la herramienta antes de usarla. Muchos accidentes son causados por herramientas mantenidas deficientemente. Establezca un programa de mantenimiento periódico para la herramienta.

Utilice únicamente accesorios que estén recomendados por el fabricante de su modelo. Los accesorios que pueden ser adecuados para una herramienta pueden volverse peligrosos cuando se utilizan en otra herramienta.

Servicio

El servicio de ajustes y reparaciones de una herramienta debe ser realizado únicamente por personal de reparaciones competente. El servicio o mantenimiento realizado por personal no competente podría ocasionar un peligro de que se produzcan lesiones. Por ejemplo: Los cables internos pueden colocarse mal o pellizcarse, los resortes de retorno de los protectores de seguridad pueden montarse inadecuadamente.

Al realizar servicio de ajustes y reparaciones de una herramienta, utilice únicamente piezas de repuesto idénticas. Siga las instrucciones que aparecen en la sección Mantenimiento de este manual. El uso de piezas no autorizadas o el incumplimiento de las instrucciones de Mantenimiento puede ocasionar un peligro de que se produzcan sacudidas eléctricas o lesiones. Ciertos agentes de limpieza, tales como gasolina, tetracloruro de carbono, amoníaco, etc., pueden dañar las piezas de plástico.

Normas de seguridad para cepillos mecánicos

Fije el material que se vaya a afeitarse. Nunca lo sostenga en la mano ni sobre las piernas. Si la pieza de trabajo es pequeña, debe fijarse adecuadamente para que las cuchillas del cepillo mecánico que giran no la levanten durante el movimiento del cepillo hacia delante. Un soporte inestable puede hacer que las cuchillas se atasquen, causando pérdida de control y lesiones.

Arranque siempre el cepillo mecánico antes de que la cuchilla entre en contacto con la pieza de trabajo y deje que la cuchilla alcance toda su velocidad. La herramienta puede vibrar o chirriar si la velocidad de la cuchilla es demasiado lenta al comienzo del corte y es posible que cause retroceso.

Compruebe si la pieza de trabajo tiene clavos. Si hay clavos, quítelos o clávelos hasta que estén bien por debajo de la superficie acabada que se desea obtener. Si las cuchillas del cepillo mecánico golpean objetos como clavos, pueden hacer que la

herramienta experimente retroceso y el resultado puede ser lesiones personales graves.

Desenchufe el cepillo mecánico antes de cambiar accesorios. Antes de enchufar la herramienta, asegúrese de que el cierre del gatillo esté en la posición de apagado. Pueden ocurrir arranques accidentales si el cepillo mecánico se enchufa mientras se está cambiando un accesorio.

Después de cambiar las cuchillas, gire el cilindro de las cuchillas (tambor de corte) para asegurarse de que las cuchillas no estén golpeando ninguna parte de la carcasa de la cabeza de las cuchillas y de que los tornillos de fijación de las cuchillas estén apretados. Las cuchillas que giran podrían golpear la carcasa de la herramienta y dañar la herramienta, así como causar posibles lesiones.

Sujete siempre firmemente la herramienta con las dos manos para tener un control máximo.

Nunca tire del cepillo mecánico hacia atrás sobre la pieza de trabajo. Podría producirse pérdida de control.

No ponga los dedos ni ningún objeto en el eyector de virutas ni recoja las virutas cortadas mientras la herramienta esté en marcha. El contacto con el tambor de las cuchillas causará lesiones.

Saque el enchufe de la fuente de energía si es necesario quitar las virutas. Las cuchillas están ocultas de la vista y es posible que usted se corte si toca alguna de ellas.

Nunca deje el cepillo mecánico hasta que la cuchilla se haya detenido por completo. El contacto de la superficie con el tambor de las cuchillas cuando éste se está moviendo por inercia hasta detenerse puede hacer que el cepillo mecánico se desplace fuera de control.

⚠ ADVERTENCIA

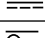
Cierto polvo generado por el lijado, aserrado, amolado y taladrado mecánicos, y por otras actividades de construcción, contiene agentes químicos que se sabe que causan cáncer, defectos de nacimiento u otros daños sobre la reproducción. Algunos ejemplos de estos agentes químicos son:

- Plomo de pinturas a base de plomo,
- Sílice cristalina de ladrillos y cemento y otros productos de mampostería, y
- Arsénico y cromo de madera tratada químicamente.

Su riesgo por causa de estas exposiciones varía, dependiendo de con cuánta frecuencia realice este tipo de trabajo. Para reducir su exposición a estos agentes químicos: trabaje en un área bien ventilada y trabaje con equipo de seguridad aprobado, como por ejemplo máscaras antipolvo que estén diseñadas especialmente para impedir mediante filtración el paso de partículas microscópicas.

Símbolos

IMPORTANTE: Es posible que algunos de los símbolos siguientes se usen en su herramienta. Por favor, estúdielos y aprenda su significado. La interpretación adecuada de estos símbolos le permitirá utilizar la herramienta mejor y con más seguridad.

Símbolo	Nombre	Designación/explicación
V	Volt	Tensión (potencial)
A	Ampere	Corriente
Hz	Hertz	Frecuencia (ciclos por segundo)
W	Watt	Potencia
kg	Kilogramo	Peso
min	Minuto	Tiempo
s	Segundo	Tiempo
∅	Diámetro	Tamaño de las brocas taladradoras, muelas, etc
n_0	Velocidad sin carga	Velocidad rotacional sin carga
.../min	Revoluciones o alternación por minuto	Revoluciones, golpes, velocidad de superficie, órbitas, etc., por minuto
0	Posición "off" (apagado)	Velocidad cero, par motor cero...
1, 2, 3, ... I, II, III,	Graduaciones del selector	Graduaciones de velocidad, par motor o posición. Un número más alto significa mayor velocidad
	Selector infinitamente variable con apagado	La velocidad aumenta desde la graduación de 0
	Flecha	Acción en la dirección de la flecha
	Corriente alterna	Tipo o una característica de corriente
	Corriente continua	Tipo o una característica de corriente
	Corriente alterna o continua	Tipo o una característica de corriente
	Construcción de clase II	Designa las herramientas de construcción con aislamiento doble.
	Terminal de toma de tierra	Terminal de conexión a tierra
	Símbolo de advertencia	Alerta al usuario sobre mensajes de advertencia
	Sello RBRC™ de Ni-Cd	Designa el programa de reciclaje de baterías de Ni-Cd



Este símbolo indica que esta herramienta está catalogada por Underwriters Laboratories.



Este símbolo indica que Underwriters Laboratories ha catalogado esta herramienta indicando que cumple las normas canadienses.



Este símbolo indica que esta herramienta cumple con la norma mexicana oficial (NOM).



Este símbolo indica que esta herramienta está catalogada por la Canadian Standards Association.



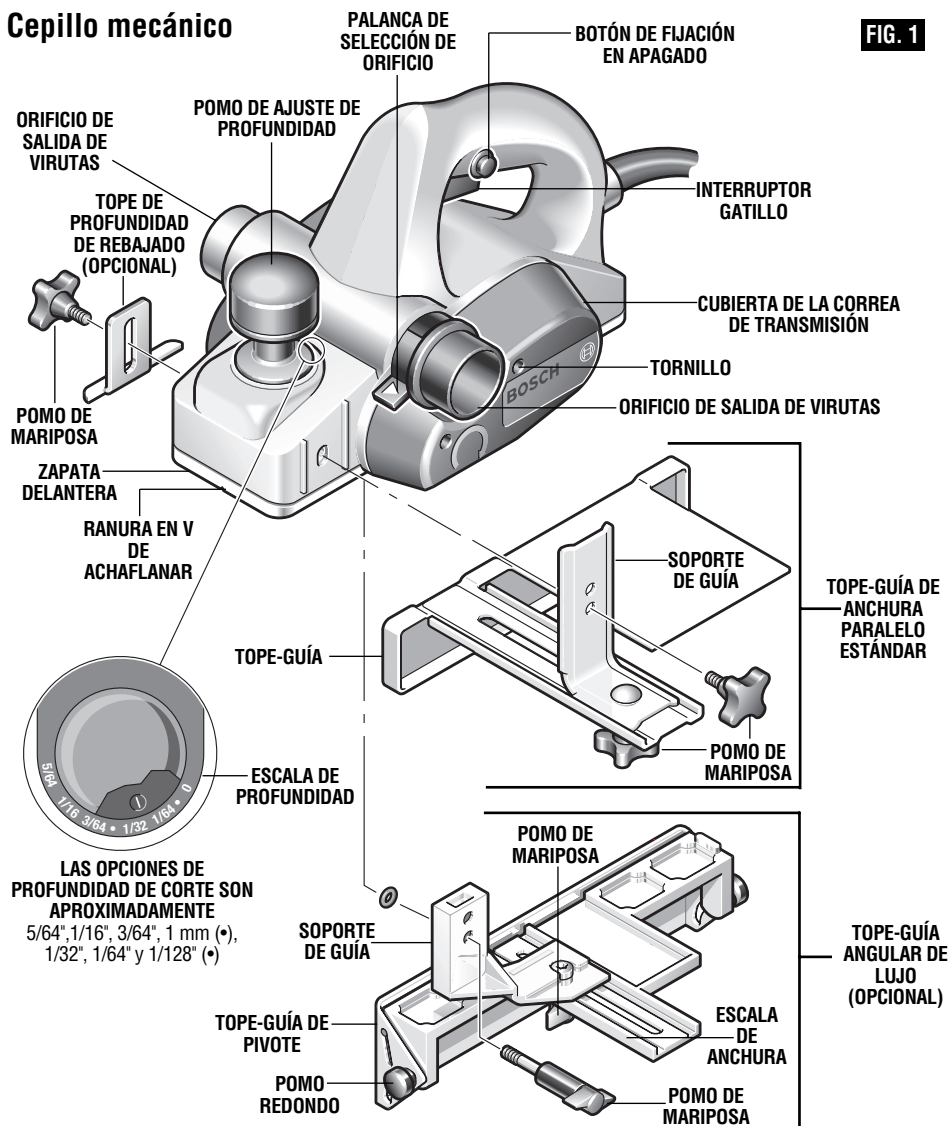
Este símbolo indica que esta herramienta está catalogada por Underwriters Laboratories y que Underwriters Laboratories la ha catalogado según las normas canadienses.

Descripción funcional y especificaciones

⚠ ADVERTENCIA Desconecte el enchufe de la fuente de energía antes de realizar cualquier ensamblaje o ajuste, o cambiar accesorios. Estas medidas de seguridad preventivas reducen el riesgo de arrancar la herramienta accidentalmente.

Cepillo mecánico

FIG. 1



Número de modelo
Tensión nominal
Amperaje nominal
Capacidad sin carga

3365
120 V ~ 50 - 60Hz
5 A
n₀ 18 000/min

Capacidades máximas

Profundidad de acepillad 0 - 5/64" (0 - 2 mm)
Profundidad de rebajado 0 - 5/16" (0 - 8 mm)
Anchura de corte 3-1/4" (82 mm)*

Ensamblaje

EXTRACCIÓN DE VIRUTAS

El cepillo mecánico viene con dos orificios de salida de virutas, que pueden utilizarse con una bolsa para virutas (Fig. 2) o con una aspiradora de taller y un conector de aspiradora (Fig. 3) para mantener más limpio el entorno de trabajo. La bolsa para virutas o el conector de aspiradora pueden acoplarse a cualquiera de los extremos del orificio de salida.

Al mover la palanca selectora de orificio hasta la posición 1 (hacia la parte delantera de la herramienta), las virutas se descargan hacia la izquierda, mientras que al moverla hasta la posición 2 (hacia la parte trasera de la herramienta), las virutas se descargan hacia la derecha (Fig. 1).

CUCHILLAS DEL CEPILLO MECÁNICO

⚠ ADVERTENCIA Las cuchillas del cepillo mecánico están afiladas y son frágiles, y deben manejarse con cuidado para evitar que el usuario sufra lesiones o que las cuchillas se dañen.

Las cuchillas del cepillo mecánico tienen dos filos y pueden invertirse cuando uno de los filos se desafiló o astilló.

No intente afilar ni utilizar cuchillas usadas reafiladas de ninguna clase. Utilice únicamente cuchillas diseñadas para uso con este modelo, porque otras cuchillas causarán vibración y disminución del rendimiento, y es posible que no se sujeten firmemente en el portacuchillas.

INVERSIÓN O CAMBIO DE LAS CUCHILLAS

Para invertir o cambiar la cuchilla, afloje los tornillos de fijación utilizando la llave para cuchillas. Con los tornillos aflojados, deslice longitudinalmente el cepillo hasta sacarlo del tambor de corte, teniendo cuidado de mantener los dedos alejados de los filos afilados de la cuchilla (Fig. 4).

Puede utilizarse un pedazo de madera para este propósito. Si la cuchilla tiene goma y es difícil quitarla, puede limpiar la cuchilla con alcoholes minerales, diluyente de laca o alcohol.

Limpie todas las superficies antes de instalar la cuchilla nueva, ya que esto garantizará un ajuste preciso de la cuchilla y un rendimiento adecuado de la herramienta.

ALINEACIÓN DE LAS CUCHILLAS

Para asegurarse de lograr un corte uniforme, es importante que la cuchilla se ajuste de manera que esté alineada con el borde exterior de las zapatas delantera y trasera. Esta alineación puede realizarse de la manera siguiente: coloque una regla recta o un pedazo de madera a lo largo de la superficie exterior de la zapata delantera y de la zapata trasera, y luego deslice la cuchilla del cepillo mecánico hasta que justo haga contacto con la regla recta o el pedazo de madera (Fig. 5).

Asegúrese de que la cuchilla se asiente correctamente en la ranura del portacuchilla que está en el tambor de corte.

Seguidamente, podrá apretar los tornillos de fijación que sujetan la cuchilla y el cepillo mecánico estará listo para utilizarse.

FIG. 2

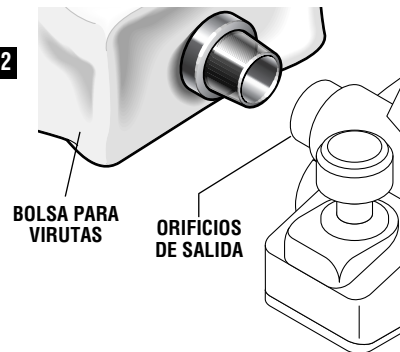


FIG. 3

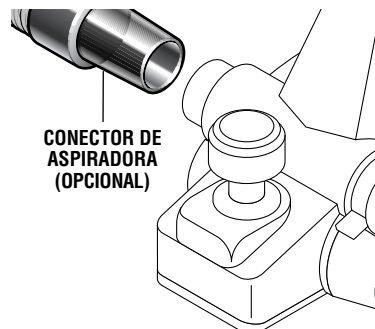


FIG. 4

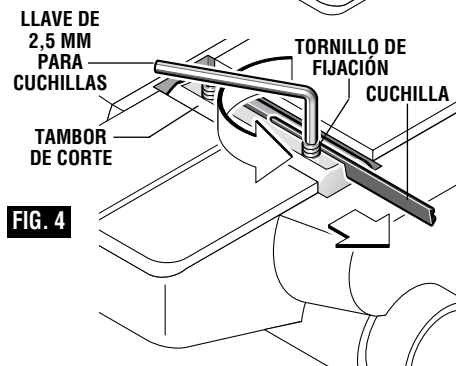
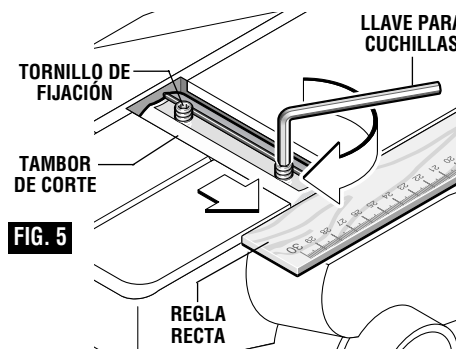


FIG. 5



Instrucciones de funcionamiento

INTERRUPTOR GATILLO DE ENCENDIDO Y APAGADO

⚠ ADVERTENCIA Sostenga la herramienta con las dos manos mientras la arranca, ya que el par del motor puede hacer que la herramienta se tuerza.

Para encender la herramienta, oprima el botón de "Fijación en apagado" y apriete el interruptor gatillo. Para apagar la herramienta, suelte el interruptor gatillo, que está accionado por resorte, y regresará automáticamente a la posición de apagado.

Para prolongar la duración del interruptor, no lo ponga en las posiciones de encendido y apagado mientras la herramienta y el tambor se estén sosteniendo contra una pieza de trabajo.

ACCIÓN DE ACEPTADO

Compruebe si la pieza de trabajo está sujeta firmemente en posición correcta sobre la superficie de trabajo y, ubicándose de manera cómoda, sostenga firmemente el cepillo mecánico con las dos manos. Con el cepillo mecánico completamente ajustado, coloque la zapata delantera sobre la pieza de trabajo (asegúrese de que el tambor de corte no esté en contacto con la pieza de trabajo) y arranque el

cepillo mecánico de la manera que se describió anteriormente. Ejerciendo presión sobre la zapata delantera y con el tope-guía ubicado contra el lado de la pieza de trabajo (para controlar la anchura o el ángulo), haga avanzar firmemente el cepillo mecánico hasta que la zapata trasera se acople completamente en la pieza de trabajo. Seguidamente, transfiera presión gradualmente hacia la zapata trasera y siga aceptando hasta el final del corte. Haga avanzar el cepillo mecánico a una velocidad uniforme y razonable, que no someta a un esfuerzo excesivo ni al motor ni a las cuchillas (no tire del cepillo mecánico hacia atrás sobre la superficie que ya haya cortado). Utilice cortes progresivos hasta que esté cerca de la profundidad deseada y entonces cambie el ajuste a un corte más ligero para que con la pasada final se obtenga un buen acabado de la superficie.

⚠ PRECAUCIÓN El motor puede detenerse si se utiliza incorrectamente o se sobrecarga. Reduzca la presión (la velocidad de avance) o la profundidad de corte para evitar posibles daños a la herramienta si el motor funciona con dificultad.

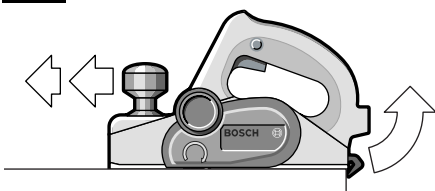
APOYO DE ESTACIONAMIENTO DE LA HERRAMIENTA

El apoyo de estacionamiento de la herramienta oscila hacia abajo para ayudar a evitar que la cuchilla entre en contacto con la superficie de trabajo cuando el cepillo mecánico no se está utilizando (Fig. 6). El apoyo de estacionamiento de la herramienta se diseñó para oscilar por sí mismo hacia arriba y hacia abajo fuera del paso cuando la parte trasera del cepillo mecánico cruza el borde de avance de la pieza de trabajo (Fig. 7).

FIG. 6



FIG. 7



AJUSTE DE LA PROFUNDIDAD DE CORTE

La profundidad de corte adecuada debe determinarse de acuerdo con la dureza, gomosidad o contenido de

humedad del material que se vaya a cortar, así como con la velocidad de avance, y es principalmente una cuestión de experiencia. Comience con un corte ligero y aumente el ajuste de profundidad si el cepillo mecánico se mueve libremente por la pieza de trabajo sin carga excesiva en el motor. No cambie la profundidad de corte mientras esté aceptando.

La profundidad de corte se determina por la diferencia de altura entre la zapata delantera ajustable y la zapata trasera fija del cepillo mecánico. A medida que la zapata delantera se ajusta, se retrae y deja al descubierto la cuchilla, que puede entonces quitar la cantidad deseada de material de la pieza de trabajo. La profundidad de corte está graduada de 0 a 5/64 de pulgada y el "0" indica que la cuchilla está totalmente retraída.

Ajuste de la profundidad de corte: Gire el pomo de ajuste de profundidad hasta que el indicador se acople con el retén que indica la profundidad de corte deseada en la escala de profundidad (Fig. 1).

El cepillo mecánico puede ajustarse para cortar a cualquier profundidad desde 0 hasta 5/64 de pulgada.

TOPE-GUÍA DE ANCHURA PARALELO ESTÁNDAR

El tope-guía de anchura puede utilizarse para cortar diversas anchuras deseadas (Fig. 1).

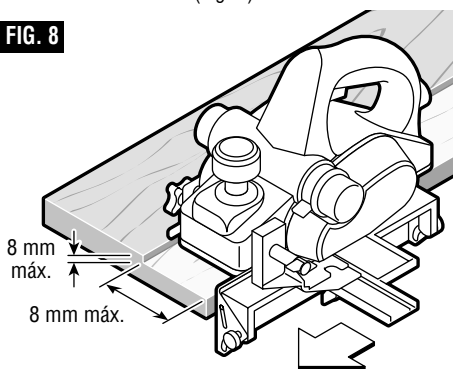
Instalación del tope-guía: Coloque el pomo de mariposa a través del agujero apropiado del soporte de guía y enrósquelo en la carcasa. Apriete firmemente el pomo de mariposa.

Ajuste de la anchura de corte: Afloje el pomo de mariposa y deslice el tope-guía a lo largo del soporte de guía hasta la posición deseada. Apriete firmemente el pomo de mariposa. Asegúrese de que la arandela plana (suministrada) esté ajustada entre la parte inferior del tope-guía y el pomo de mariposa, o es posible que el tope-guía resbale.

TOPE-GUÍA ANGULAR DE LUJO

El tope-guía angular de lujo opcional (Fig. 8) puede utilizarse para cortar diversas anchuras deseadas, con la capacidad adicional de guiar el cepillo mecánico en cualquier ángulo hasta 45 grados para permitir el achaflanado de bordes (Fig. 9).

FIG. 8



Instalación del tope-guía angular: Coloque el pomo de mariposa a través del agujero apropiado del soporte de guía y enrósquelo en la carcasa. Apriete firmemente el pomo de mariposa (Fig. 1).

Ajuste de la anchura de corte: Afloje el pomo de mariposa y, utilizando la escala de anchura, deslice el tope-guía a lo largo del soporte de guía hasta la posición deseada. Apriete firmemente el pomo de mariposa (Fig. 1).

Ajuste del ángulo de corte: Afloje los pomos redondos y pivote el tope-guía hasta la posición deseada. Apriete firmemente los pomos redondos (Fig. 1).

Observe que la zapata delantera ajustable contiene una ranura en V de achaflanar, que seguirá la esquina de una pieza de trabajo para facilitar el manejo cuando se utilice el tope-guía angular de lujo/de anchura (Fig. 9).

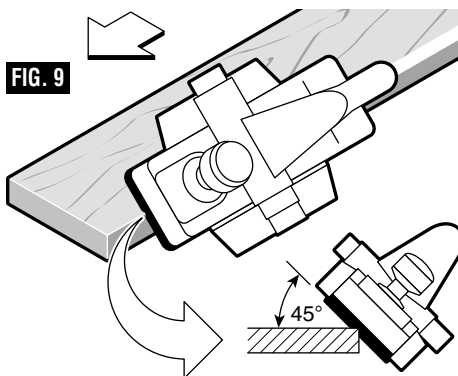


FIG. 9

TOPE DE PROFUNDIDAD DE REBAJADO

El accesorio de tope de profundidad de rebajado opcional (Fig. 1) permite al usuario ajustar cualquier profundidad de rebajado desde 0 hasta 5/16 de pulgada. Para obtener resultados óptimos, es importante que la cuchilla esté alineada adecuadamente (consulte "ALINEACIÓN DE LAS CUCHILLAS"). La anchura de rebajado se controla mediante el tope-guía de anchura. La anchura máxima de corte es de 3-1/4" y la profundidad final se logra realizando cortes repetitivos hasta que la guía de profundidad de rebajado entra en contacto con la pieza de trabajo. La profundidad máxima de rebajado es de 5/16".

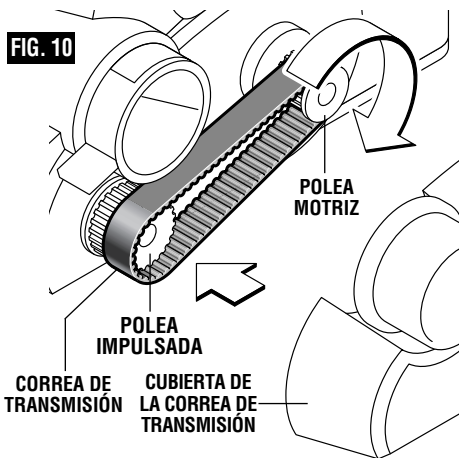
Ajuste de la profundidad de rebajado: Afloje el pomo de mariposa y, utilizando la escala de profundidad que está en el tope de profundidad de rebajado, ajuste la profundidad de rebajado deseada. Apriete firmemente el pomo de mariposa.

CORREA DE TRANSMISIÓN

La correa de transmisión es una pieza que requiere mantenimiento normal y debe inspeccionarse periódicamente para comprobar si está desgastada. Si la correa de transmisión muestra señales de estar secándose, agrietándose o rasgándose, debe cambiarse. Si la correa de transmisión no describe su trayectoria adecuadamente o si se sale de las poleas, debe cambiarse.

Instalación de una correa de transmisión nueva: Afloje el tornillo y quite la cubierta de la correa de transmisión. Corte y quite la correa de transmisión dañada. Antes de instalar la correa de transmisión nueva, limpie a fondo las dos poleas. Coloque primero la correa de transmisión nueva en la polea motriz y luego haga girar dicha polea en el sentido de las agujas del reloj a la vez que empuja la correa sobre la polea impulsada. Vuelva a instalar la cubierta de la correa de transmisión y apriete firmemente el tornillo (Fig. 10).

FIG. 10



Mantenimiento

Servicio

⚠ ADVERTENCIA El mantenimiento preventivo realizado por personal no autorizado puede dar lugar a la colocación incorrecta de cables y componentes internos que podría constituir un peligro serio. Recomendamos que todo el servicio de las herramientas sea realizado por un Centro de servicio de fábrica Bosch o por una Estación de servicio Bosch autorizada.

LUBRICACIÓN DE LAS HERRAMIENTAS

Su herramienta Bosch ha sido lubricada adecuadamente y está lista para la utilización. Se recomienda que las herramientas con engranajes se vuelvan a engrasar con un lubricante especial para engranajes en cada cambio de escobillas.

ESCOBILLAS DE CARBÓN

Las escobillas y el conmutador de la herramienta han sido diseñados para muchas horas de servicio fiable. Para mantener un rendimiento óptimo del motor, recomendamos que cada dos a seis meses se examinen las escobillas. Sólo se deben usar escobillas de repuesto Bosch genuinas diseñadas específicamente para su herramienta.

RODAMIENTOS

Después de 300-400 horas de funcionamiento, o después de cada segundo cambio de escobillas, los

rodamientos deben cambiarse en un Centro de servicio de fábrica Bosch o en una Estación de servicio Bosch autorizada. Los rodamientos que se vuelven ruidosos (debido a la pesada carga o al corte de materiales muy abrasivos) deben ser sustituidos inmediatamente para evitar el sobrecalentamiento o el fallo del motor.

Limpieza

⚠ ADVERTENCIA Para evitar accidentes desconecte siempre la herramienta de la fuente de energía antes de la limpieza o de la realización de cualquier mantenimiento. La herramienta se puede limpiar más eficazmente con aire comprimido seco. Use gafas de seguridad siempre que limpie herramientas con aire comprimido.

Las aberturas de ventilación y las palancas de interruptor deben mantenerse limpias y libres de materias extrañas. No intente limpiar introduciendo objetos puntiagudos a través de las aberturas.

⚠ PRECAUCION Ciertos agentes de limpieza y disolventes dañan las piezas de plástico. Algunos de estos son: gasolina, tetracloruro de carbono, disolventes de limpieza clorados, amoníaco y detergentes domésticos que contienen amoníaco.

Accesorios

⚠ ADVERTENCIA Si es necesario un cordón de extensión, se debe usar un cordón con conductores de tamaño adecuado que sea capaz de transportar la corriente necesaria para la herramienta. Esto evitará caídas de tensión excesivas, pérdida de potencia o recalentamiento. Las herramientas conectadas a tierra deben usar cordones de extensión de 3 hilos que tengan enchufes de 3 terminales y receptáculos para 3 terminales.

NOTA: Cuanto más pequeño es el número de calibre, más grueso es el cordón.

TAMAÑOS RECOMENDADOS DE CORDONES DE EXTENSION HERRAMIENTAS DE 120 V CORRIENTE ALTERNA

Capacidad nominal en amperes de la herramienta	Tamaño del cordón en A.W.G.				Tamaños del cable en mm ²			
	Longitud del cordón en pies				Longitud del cordón en metros			
	25	50	100	150	15	30	60	120
3-6	18	16	16	14	0,75	0,75	1,5	2,5
6-8	18	16	14	12	0,75	1,0	2,5	4,0
8-10	18	16	14	12	0,75	1,0	2,5	4,0
10-12	16	16	14	12	1,0	2,5	4,0	—
12-16	14	12	—	—	—	—	—	—

* Tope-guía de anchura estándar

** Tope-guía angular de lujo

** Tope de profundidad de rebajado

* Llave de 2.5 mm para cuchillas

* Hojas reversibles de carburo (2)

** Conector de aspiradora

** Manguera de aspiración

* Bolsa para virutas

(* = equipo estándar)

(** = accesorios opcionales)

Notes:

Remarques :

Notas:

LIMITED WARRANTY OF BOSCH PORTABLE AND BENCHTOP POWER TOOLS

Robert Bosch Tool Corporation ("Seller") warrants to the original purchaser only, that all BOSCH portable and benchtop power tools will be free from defects in material or workmanship for a period of one year from date of purchase. SELLER'S SOLE OBLIGATION AND YOUR EXCLUSIVE REMEDY under this Limited Warranty and, to the extent permitted by law, any warranty or condition implied by law, shall be the repair or replacement of parts, without charge, which are defective in material or workmanship and which have not been misused, carelessly handled, or misrepaired by persons other than Seller or Authorized Service Station. To make a claim under this Limited Warranty, you must return the complete portable or benchtop power tool product, transportation prepaid, to any BOSCH Factory Service Center or Authorized Service Station. For Authorized BOSCH Power Tool Service Stations, please refer to your phone directory.

THIS LIMITED WARRANTY DOES NOT APPLY TO ACCESSORY ITEMS SUCH AS CIRCULAR SAW BLADES, DRILL BITS, ROUTER BITS, JIGSAW BLADES, SANDING BELTS, GRINDING WHEELS AND OTHER RELATED ITEMS.

ANY IMPLIED WARRANTIES SHALL BE LIMITED IN DURATION TO ONE YEAR FROM DATE OF PURCHASE. SOME STATES IN THE U.S., SOME CANADIAN PROVINCES DO NOT ALLOW LIMITATIONS ON HOW LONG AN IMPLIED WARRANTY LASTS, SO THE ABOVE LIMITATION MAY NOT APPLY TO YOU.

IN NO EVENT SHALL SELLER BE LIABLE FOR ANY INCIDENTAL OR CONSEQUENTIAL DAMAGES (INCLUDING BUT NOT LIMITED TO LIABILITY FOR LOSS OF PROFITS) ARISING FROM THE SALE OR USE OF THIS PRODUCT. SOME STATES IN THE U.S. AND SOME CANADIAN PROVINCES DO NOT ALLOW THE EXCLUSION OR LIMITATION OF INCIDENTAL OR CONSEQUENTIAL DAMAGES, SO THE ABOVE LIMITATION OR EXCLUSION MAY NOT APPLY TO YOU.

THIS LIMITED WARRANTY GIVES YOU SPECIFIC LEGAL RIGHTS, AND YOU MAY ALSO HAVE OTHER RIGHTS WHICH VARY FROM STATE TO STATE IN THE U.S., PROVINCE TO PROVINCE IN CANADA AND FROM COUNTRY TO COUNTRY.

THIS LIMITED WARRANTY APPLIES ONLY TO PORTABLE AND BENCHTOP ELECTRIC TOOLS SOLD WITHIN THE UNITED STATES OF AMERICA, CANADA AND THE COMMONWEALTH OF PUERTO RICO. FOR WARRANTY COVERAGE WITHIN OTHER COUNTRIES, CONTACT YOUR LOCAL BOSCH DEALER OR IMPORTER.

GARANTIE LIMITÉE DES OUTILS ÉLECTRIQUES PORTATIFS ET D'ÉTABLI BOSCH

Robert Bosch Tool Corporation (le « vendeur ») garantit à l'acheteur initial seulement que tous les outils électriques portatifs et d'établi BOSCH seront exempts de vices de matériaux ou d'exécution pendant une période d'un an depuis la date d'achat. LA SEULE OBLIGATION DU VENDEUR ET LE SEUL RECOURS DE L'ACHETEUR sous la présente garantie limitée, et en autant que la loi le permette sous toute garantie ou condition implicite qui en découlerait, sera l'obligation de remplacer ou réparer gratuitement les pièces défectueuses matériellement ou comme fabrication, pourvu que lesdites défectuosités ne soient pas attribuables à un usage abusif ou à quelque réparation bricolée par quelqu'un d'autre que le vendeur ou le personnel d'une station-service agréée. Pour présenter une réclamation en vertu de cette garantie limitée, vous devez renvoyer l'outil électrique portatif ou d'établi complet, port payé, à tout centre de service agréé ou centre de service usine. Veuillez consulter votre annuaire téléphonique pour les adresses.

LA PRÉSENTE GARANTIE NE S'APPLIQUE PAS AUX ACCESSOIRES TELS QUE LAMES DE SCIÉS CIRCULAIRES, MÊCHES DE PERCEUSES, FERS DE TOUPIES, LAMES DE SCIÉS SAUTEUSES, COURROIES DE PONÇAGE, MEULES ET AUTRES ARTICLES DU GENRE.

TOUTE GARANTIE IMPLICITE SERA LIMITÉE COMME DURÉE À UN AN À COMPTER DE LA DATE D'ACHAT. CERTAINS ÉTATS AMÉRICAINS, CERTAINES PROVINCES CANADIENNES N'ADMETTANT PAS LE PRINCIPE DE LA LIMITATION DE LA DURÉE DES GARANTIES IMPLICITES, IL EST POSSIBLE QUE LES LIMITATIONS CI-DESSUS NE S'APPLIQUENT PAS À VOTRE CAS.

EN AUCUN CAS LE VENDEUR NE SAURAIT ÊTRE TENU POUR RESPONSABLE DES INCIDENTS OU DOMMAGES INDIRECTS (INCLUANT, MAIS NE SE LIMITANT PAS AUX PERTES DE PROFITS) CONSÉCUTIFS À LA VENTE OU L'USAGE DE CE PRODUIT. CERTAINS ÉTATS AMÉRICAINS ET CERTAINES PROVINCES CANADIENNES N'ADMETTANT PAS LE PRINCIPE DE LA LIMITATION NI L'EXCLUSION DES DOMMAGES INDIRECTS ET CONSÉQUENTIELS, IL EST POSSIBLE QUE LES LIMITATIONS OU EXCLUSIONS CI-DESSUS NE S'APPLIQUENT PAS À VOTRE CAS.

LA PRÉSENTE GARANTIE VOUS ACCORDE DES DROITS BIEN DÉTERMINÉS, Y COMPRIS POSSIBLEMENT CERTAINS DROITS VARIABLES DANS LES DIFFÉRENTS ÉTATS AMÉRICAINS, PROVINCES CANADIENNES.

CETTE GARANTIE LIMITÉE NE S'APPLIQUE QU'ÀUX OUTILS ÉLECTRIQUES PORTATIFS ET D'ÉTABLI VENDUS AUX ÉTATS-UNIS D'AMÉRIQUE, AU CANADA ET AU COMMONWEALTH DE PORTO RICO. POUR COUVERTURE DE GARANTIE DANS LES AUTRES PAYS, CONTACTEZ VOTRE IMPORTATEUR OU REVENDEUR BOSCH LOCAL.

GARANTIA LIMITADA PARA HERRAMIENTAS MECANICAS PORTATILES Y PARA TABLERO DE BANCO BOSCH

Robert Bosch Tool Corporation ("el Vendedor") garantiza, únicamente al comprador original, que todas las herramientas mecánicas portátiles y para tablero de banco BOSCH estarán libres de defectos de material o de fabricación durante un período de un año a partir de la fecha de compra. LA ÚNICA OBLIGACION DEL VENDEDOR Y EL RECURSO EXCLUSIVO QUE USTED TIENE bajo esta Garantía Limitada y, hasta donde la ley lo permita, bajo cualquier garantía o condición implícita por ley, consistirá en la reparación o sustitución sin costo de las piezas que presenten defectos de material o de fabricación y que no hayan sido utilizadas incorrectamente, manejadas descuidadamente o reparadas incorrectamente por personas que no sean el Vendedor o una Estación de servicio autorizada. Para efectuar una reclamación bajo esta Garantía Limitada, usted debe devolver el producto, que consiste en la herramienta mecánica portátil o para tablero de banco completa, con el transporte pagado, a cualquier Centro de servicio de fábrica o Estación de servicio autorizada. Para Estaciones de servicio autorizadas de herramientas mecánicas BOSCH, por favor, consulte el directorio telefónico.

ESTA GARANTIA LIMITADA NO SE APLICA A ARTICULOS ACCESORIOS TALES COMO HOJAS PARA SIERRAS CIRCULARES, BROCAS PARA TALADROS, BROCAS PARA FRESADORAS, HOJAS PARA SIERRAS DE VAIVEN, CORREAS PARA LIJAR, RUEDAS DE AMOLAR Y OTROS ARTICULOS RELACIONADOS.

TODAS LAS GARANTIAS IMPLICITAS TENDRAN UNA DURACION LIMITADA A UN AÑO A PARTIR DE LA FECHA DE COMPRA. ALGUNOS ESTADOS DE LOS EE.UU., ALGUNAS PROVINCIAS CANADIENSES NO PERMITEN LIMITACIONES EN CUANTO A LA DURACION DE UNA GARANTIA IMPLICITA, POR LO QUE ES POSIBLE QUE LA LIMITACION ANTERIOR NO SEA APLICABLE EN EL CASO DE USTED.

EL VENDEDOR NO SERA RESPONSABLE EN NINGUN CASO DE NINGUN DAÑO INCIDENTAL O EMERGENTE (INCLUYENDO PERO NO LIMITADO A RESPONSABILIDAD POR PERDIDA DE BENEFICIOS) QUE SE PRODUZCA COMO CONSECUENCIA DE LA VENTA O UTILIZACION DE ESTE PRODUCTO. ALGUNOS ESTADOS DE LOS EE.UU. Y ALGUNAS PROVINCIAS CANADIENSES NO PERMITEN LA EXCLUSION O LIMITACION DE LOS DAÑOS INCIDENTALES O EMERGENTES, POR LO QUE ES POSIBLE QUE LA LIMITACION O EXCLUSION ANTERIOR NO SEA APLICABLE EN EL CASO DE USTED.

ESTA GARANTIA LIMITADA LE CONFIERE A USTED DERECHOS LEGALES ESPECIFICOS Y ES POSIBLE QUE USTED TAMBIEN TENGA OTROS DERECHOS QUE VARIAN DE ESTADO A ESTADO EN LOS EE.UU., DE PROVINCIA A PROVINCIA EN CANADA.

ESTA GARANTIA LIMITADA SE APLICA SOLAMENTE A HERRAMIENTAS ELECTRICAS PORTATILES Y PARA TABLERO DE BANCO VENDIDAS EN LOS ESTADOS UNIDOS DE AMERICA, CANADA Y EL ESTADO LIBRE ASOCIADO DE PUERTO RICO. PARA COBERTURA DE GARANTIA EN OTROS PAISES, PONGASE EN CONTACTO CON SU DISTRIBUIDOR O IMPORTADOR LOCAL DE BOSCH.

© Robert Bosch Tool Corporation 1800 W. Central Road Mt. Prospect, IL 60056 -2230

Exportado por: Robert Bosch Tool Corporation Mt. Prospect, IL 60056 -2230, E.U.A.

Importado en México por: Robert Bosch, S.A. de C.V., Calle Robert Bosch No. 405, Zona Industrial, Toluca, Edo. de México, C.P. 50070, Tel. (722) 2792300

Free Manuals Download Website

<http://myh66.com>

<http://usermanuals.us>

<http://www.somanuals.com>

<http://www.4manuals.cc>

<http://www.manual-lib.com>

<http://www.404manual.com>

<http://www.luxmanual.com>

<http://aubethermostatmanual.com>

Golf course search by state

<http://golfingnear.com>

Email search by domain

<http://emailbydomain.com>

Auto manuals search

<http://auto.somanuals.com>

TV manuals search

<http://tv.somanuals.com>