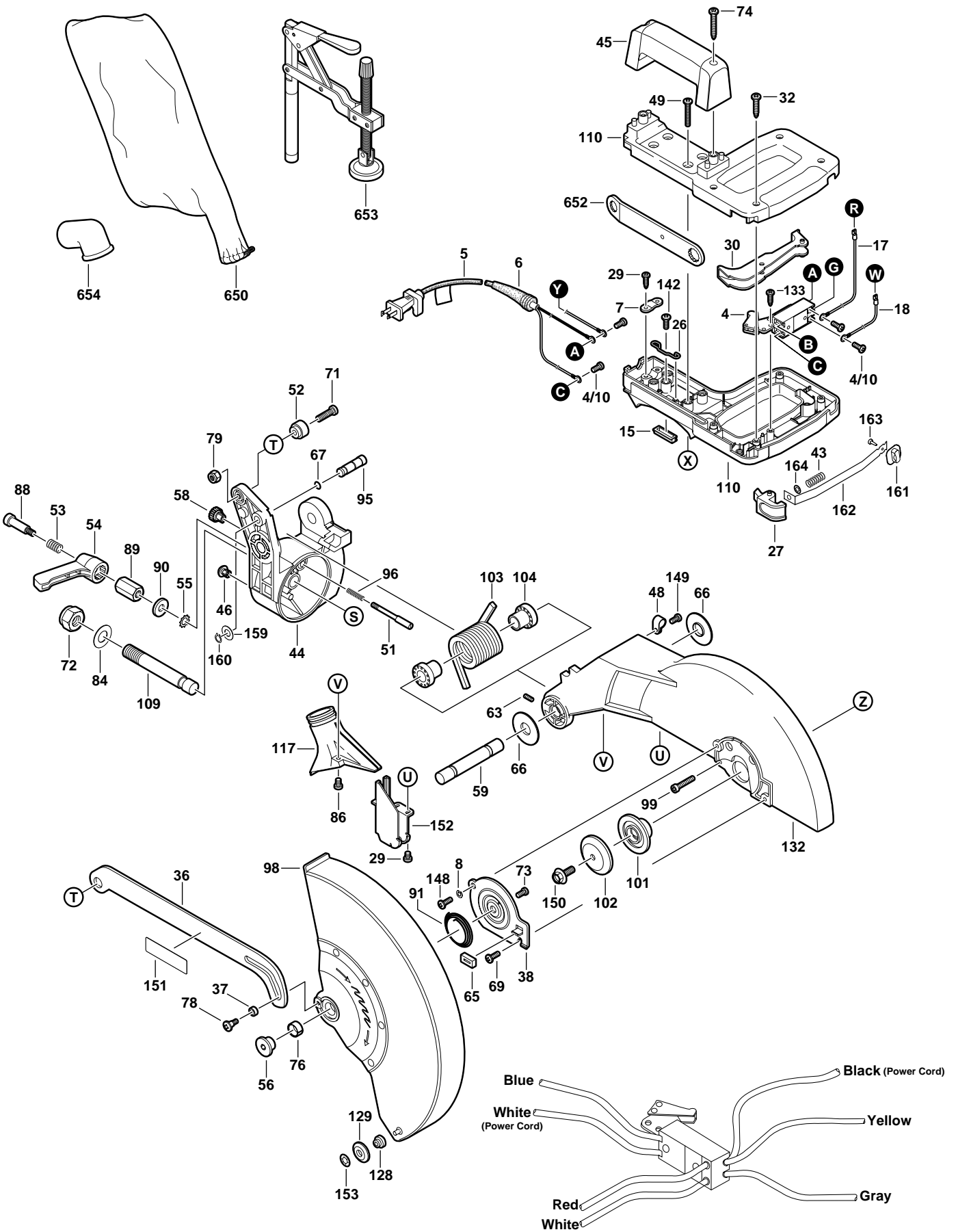
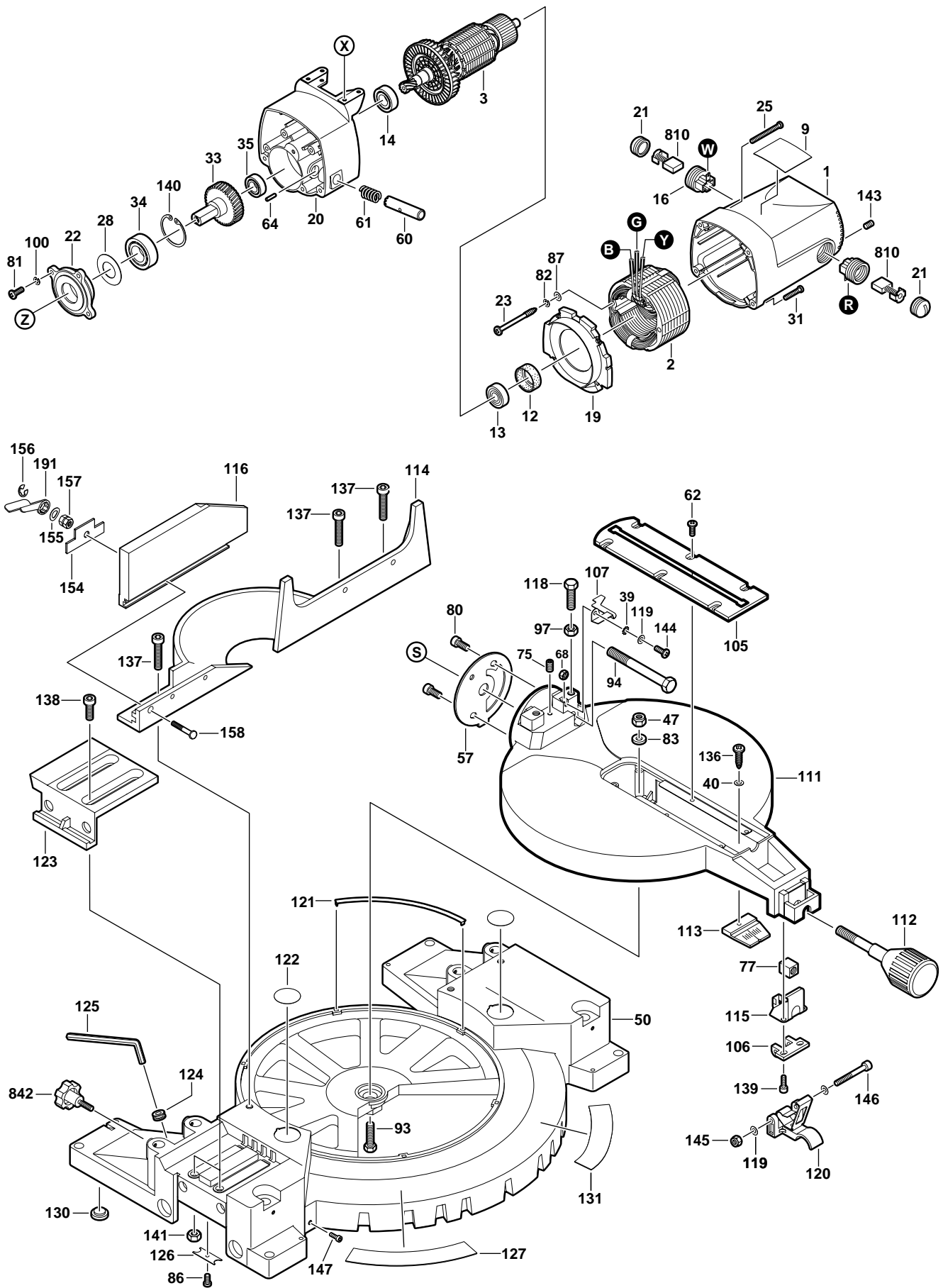


Open for Tool Illustration

Pos.	Part Number	Description {Qty}	F/C	Pos.	Part Number	Description {Qty}	F/C
1	2 610 967 440	Motor Housing	71	52	2 610 910 768	Bushing	82
2	2 610 911 475	Field 120V	22	53	2 610 910 765	Spring	27
3	2 610 911 476	Armature w/Fan 120V	AW	54	2 610 910 838	Lock Lever	64
4	2 610 910 020	Switch On/Off 120V	15	55	2 615 297 329	Washer	65
4/10	2 610 358 901	Screw {6}	89	56	2 610 910 848	Nut	89
5	2 610 911 463	Cord 120V 16/2	11	57	2 610 910 837	Retaining Plate	65
6	2 610 911 464	Strain Relief	11	58	2 610 910 769	Knob	63
7	2 610 910 756	Cord Clamp	89	59	2 610 910 842	Shaft	54
8	2 610 911 450	Washer {2}	65	60	2 610 911 484	Spindle Lock Pin	81
9	2 610 994 137	Nameplate "3912"	9	61	2 610 910 770	Spring	80
12	2 610 911 485	Rubber Bearing Sleeve	82	62	2 610 910 781	Screw {6}	89
13	2 610 042 699	Ball Bearing	60	63	2 610 328 605	Set Screw {2}	89
14	2 610 017 349	Ball Bearing	61	64	2 610 910 796	Roll Pin	66
15	2 610 911 486	Wire Protector	92	65	2 610 910 750	Pad	88
16	2 610 911 488	Brush Holder {2}	25	66	2 610 911 465	Washer {2}	65
17	2 610 910 773	Cable	10	67	2 610 910 788	O-Ring	78
18	2 610 910 780	Cable	10	68	2 610 910 783	Nut	89
19	2 610 911 477	Baffle	24	69	2 615 297 323	Screw	89
20	2 610 911 474	Gear Housing	72	71	2 610 910 790	Screw	89
21	2 610 911 487	Brush Cap {2}	25	72	2 610 910 791	Nut	89
22	2 610 911 479	Bearing Flange	38	73	2 610 911 451	Screw & Washer	89
23	2 610 911 452	Screw {2}	89	74	2 610 911 460	Screw {2}	89
25	2 610 910 785	Screw & Washer {2}	89	75	2 610 910 786	Set Screw	89
26	2 610 910 754	Spring	9	76	2 610 910 751	Spacer	82
27	2 610 967 448	Button	9	77	2 610 910 760	Nut	89
28	2 610 910 046	Washer	65	78	2 610 910 797	Screw	89
29	2 615 296 765	Screw & Washer {3}	89	79	2 610 905 940	Nut	89
30	2 610 910 827	Switch Lever	63	80	2 610 356 707	Screw & Washer {2}	89
31	2 610 355 337	Screw & Washer {2}	89	81	2 610 910 784	Screw {3}	89
32	2 610 911 458	Screw {4}	89	82	2 610 911 455	Lock Washer{2}	65
33	2 610 911 482	Gear Assembly	32	83	2 610 910 779	Washer	65
34	2 610 910 789	Ball Bearing	51	84	2 610 910 792	Washer	65
35	2 610 910 787	Ball Bearing	56	86	2 610 911 466	Screw & Washer {3}	89
36	2 610 990 525	Guard Linkage	62	87	2 610 355 304	Washer {2}	65
37	2 610 910 849	Spacer	82	88	2 610 910 762	Screw	89
38	2 610 910 821	Cover	70	89	2 610 910 766	Nut	89
39	2 610 355 269	Washer {2}	65	90	2 610 355 264	Washer	65
40	2 610 908 270	Washer	65	91	2 610 910 752	Coil Spring	27
43	2 610 992 376	Spring	27	93	2 610 992 377	Bolt	89
44	2 610 967 444	Pivot Bracket	62	94	2 610 910 778	Bolt	89
45	2 610 967 445	Carry Handle	74	95	2 610 967 437	Lock Bolt	86
46	2 610 910 761	Plug {2}	9	96	2 610 910 758	Spring	27
47	2 610 358 172	Nut	89	97	2 610 328 600	Nut {2}	89
48	2 610 990 504	Cord Clamp	89	98	2 610 990 523	Lower Guard	92
49	2 610 355 338	Screw {4}	89	99	2 610 911 461	Screw & Washer {4}	89
50	2 610 967 447	Base	88	100	2 610 990 503	Washer {3}	65
51	2 610 910 757	Detent Pin	81	101	2 610 910 846	Inner Blade Washer	65





Pos.	Part Number	Description {Qty}	F/C	Pos.	Part Number	Description {Qty}	F/C
102	2 610 910 847	Outer Blade Washer	65	139	2 610 911 469	Screw & Washer {2}	89
103	2 610 910 755	Coil Spring	27	140	2 610 355 320	Retaining Ring	89
104	2 610 910 753	Sleeve {2}	82	141	2 610 910 794	Nut {2}	89
105	2 610 990 527	Table Insert	87	142	2 610 320 345	Screw	89
106	2 610 910 833	Plate	65	143	2 610 911 456	Set Screw {2}	89
107	2 610 910 835	Bevel Pointer	9	144	2 610 910 782	Screw	89
109	2 610 910 839	Shaft	54	145	2 610 910 774	Nut	89
110	2 610 992 384	Handle Assembly	74	146	2 610 910 776	Screw	89
111	2 610 967 449	Table	9	147	2 610 910 795	Screw {4}	89
112	2 610 910 822	Knob	63	148	2 610 910 799	Screw	89
113	2 610 910 831	Miter Pointer	9	149	2 610 355 293	Screw	89
114	2 610 967 427	Fence	9	150	2 610 911 467	Blade Bolt	85
115	2 610 910 834	Tension Plate	9	151	2 610 994 140	Label "Warning"	9
116	2 610 967 429	Fence Attachment	9	152	2 610 910 826	Deflector	92
117	2 610 910 820	Dust Collector	9	153	2 610 990 521	Retaining Ring	89
118	2 610 358 055	Bolt {2}	89	154	2 610 967 433	Clamping Plate	80
119	2 610 309 996	Washer {3}	65	155	2 610 358 439	Spring Washer	65
120	2 610 910 775	Lever Assembly	64	156	2 610 967 438	Retaining Ring	89
121	2 610 910 830	Glide Plate {3}	65	157	2 610 967 439	Nut	89
122	2 610 911 658	Label "No Hands" {2}	9	158	2 610 992 372	Bolt	89
123	2 610 967 431	Extension Bracket	62	159	2 610 027 372	Washer	65
124	2 610 911 470	Rubber Bushing	80	160	2 610 992 366	Retaining Ring	89
125	2 610 355 777	Hex Wrench 6mm	9	161	2 610 992 365	Button	9
126	2 610 910 844	Retaining Plate	65	162	2 610 992 364	Linkage	9
127	2 610 994 139	Label LH "Warning"	9	163	2 610 355 300	Screw	89
128	2 610 990 522	Washer	65	164	2 610 992 369	Push Nut	89
129	2 610 990 518	Roller	56	191	2 610 967 432	Lever	64
130	2 610 910 764	Rubber Foot {4}	9	650	2 610 911 939	Dust Bag	9
131	2 610 994 138	Label RH "Warning"	9	654	2 610 910 845	Dust Elbow	9
132	2 610 967 435	Upper Guard	92	652	2 610 910 828	Wrench	9
133	2 610 911 459	Screw	89	653	2 610 992 368	Clamp Assembly	80
136	2 610 910 777	Screw	89	810	2 610 993 231	Brush Set 120V	26
137	2 610 910 793	Screw & Washer {3}	89	842	2 610 910 767	Knob {2}	63
138	2 610 356 733	Screw & Washer {2}	89				

Service Notes:

Free Manuals Download Website

<http://myh66.com>

<http://usermanuals.us>

<http://www.somanuals.com>

<http://www.4manuals.cc>

<http://www.manual-lib.com>

<http://www.404manual.com>

<http://www.luxmanual.com>

<http://aubethermostatmanual.com>

Golf course search by state

<http://golfingnear.com>

Email search by domain

<http://emailbydomain.com>

Auto manuals search

<http://auto.somanuals.com>

TV manuals search

<http://tv.somanuals.com>