

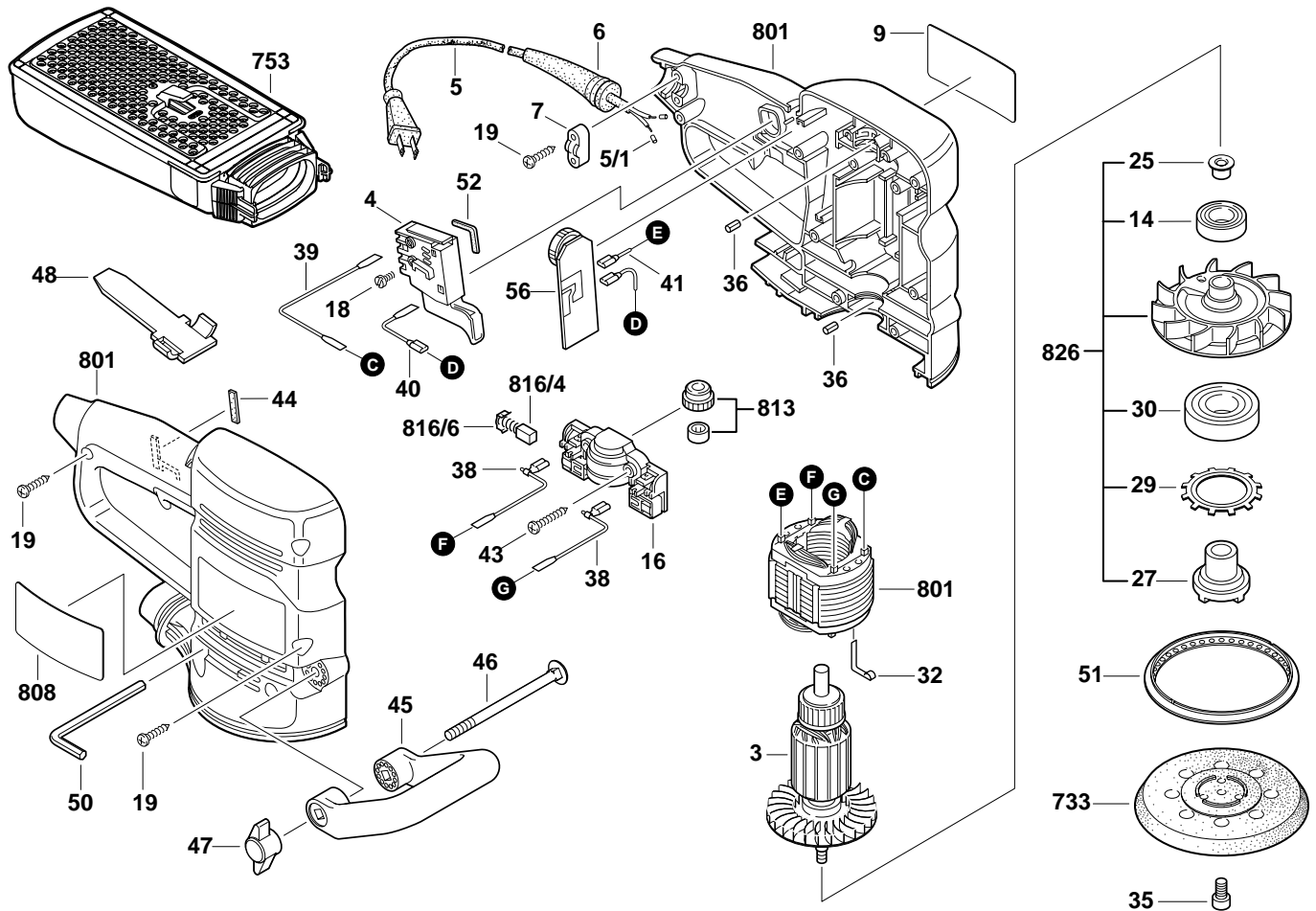
BOSCH

January 2003
INDUSTRIAL

5" RANDOM ORBIT SANDER

Model 0603310639

3107DVS



| Pos. | Part Number | Description {Qty.} | F/C | Pos. | Part Number | Description {Qty.} | F/C |
|------|---------------|---|-----|-------|---------------|---|-----|
| 3 | 2 604 011 264 | Armature w/Fan 120V | AW | 41 | 2 604 448 183 | Cable 83mm | 10 |
| 4 | 2 607 200 260 | Switch On/Off | 15 | 43 | 2 914 201 707 | Screw {2} | 89 |
| 5 | 3 604 460 555 | Cord | 11 | 44 | 2 602 380 003 | Seal Strip | 77 |
| 5/1 | 1 900 452 012 | Terminal Sleeve {2} | 11 | 45 | 2 602 025 068 | Handle | 74 |
| 6 | 2 600 703 018 | Strain Relief | 11 | 46 | 2 910 285 226 | Carriage Bolt | 89 |
| 7 | 2 601 035 001 | Cord Clamp | 89 | 47 | 1 603 339 006 | Wing Nut | 89 |
| 9 | 2 601 117 771 | Label | 9 | 48 | 2 608 005 043 | Bag Support Bar | 9 |
| 14 | 2 600 905 034 | Ball Bearing | 61 | 50 | 1 907 950 006 | Allen Wrench 5mm | 9 |
| 16 | 2 609 992 609 | Brush Holder Assembly w/pos. 816/4, 816/6 | 25 | 51 | 2 600 206 015 | Dampening Ring | 79 |
| 18 | 2 603 410 001 | Screw {2} | 89 | 52 | 2 601 022 000 | Seal Strip | 77 |
| 19 | 2 914 201 705 | Screw {10} | 89 | 56 | 2 607 233 022 | Speed Control | 17 |
| 25 | 2 600 422 004 | Sleeve | 82 | 733 | 2 610 917 407 | Backing Pad - extra soft | 88 |
| 27 | 2 600 328 027 | Drive Coupling | 40 | 733 | 2 610 917 408 | Backing Pad - soft | 88 |
| 29 | 2 600 190 059 | Star Washer | 65 | 733 | 2 610 917 409 | Backing Pad - hard | 88 |
| 30 | 2 600 905 058 | Ball Bearing | 56 | 753 | 2 610 917 259 | Dust Cannister | 9 |
| 32 | 2 601 329 057 | Spring Clip | 27 | 801 | 2 605 104 802 | Housing Assy. w/Field | 71 |
| 35 | 2 603 414 050 | Screw | 85 | 808 | 2 601 117 727 | Nameplate | 9 |
| 36 | 1 603 100 036 | Rubber Buffer {2} | 9 | 813 | 2 605 805 005 | Needle Bearing Assy. | 60 |
| 38 | 2 604 448 180 | Cable 113mm {2} | 10 | 816/4 | 2 604 321 905 | Brush Set | 26 |
| 39 | 2 604 448 181 | Cable 233mm | 10 | 816/6 | 2 601 322 013 | Clip {2} | 9 |
| 40 | 2 604 448 182 | Cable 83mm | 10 | 826 | 2 606 610 901 | Dust Fan/Coupling Assy. w/pos. 14, 25, 27, 29, 30 | 40 |

+ = Not Illustrated * = As Required F/C = Failure Code AW = Refer to AW Labor Time Chart
 Download from www.Somaterials.com. All Manuals Search And Download.

Free Manuals Download Website

<http://myh66.com>

<http://usermanuals.us>

<http://www.somanuals.com>

<http://www.4manuals.cc>

<http://www.manual-lib.com>

<http://www.404manual.com>

<http://www.luxmanual.com>

<http://aubethermostatmanual.com>

Golf course search by state

<http://golfingnear.com>

Email search by domain

<http://emailbydomain.com>

Auto manuals search

<http://auto.somanuals.com>

TV manuals search

<http://tv.somanuals.com>