

Conettix D6600/D6100



EN

Computer Interface Manual
Receiver/Gateway



BOSCH

Trademarks

Microsoft[®], Windows[®], Windows NT[®] are either registered trademarks or trademarks of Microsoft Corporation in the United States and/or other countries.

Contents

1.0	System Connection	7	3.2	SIA Mode Messages	28
1.1	Conettix D6680 Ethernet Network Adapter Connection	7	3.2.1	Acron Super Fast (Message Type 9)	28
1.2	Direct Connection – RS-232	7	3.2.2	Ademco Contact-ID (Message Type a)	29
2.0	Making the Right Connection.....	8	3.2.3	Ademco 4-1 Express (Message Type b)	30
2.1	COM3 DB9 Connector	8	3.2.4	Ademco 4-2 Express (Message Type c).....	31
2.2	Selecting Program Options in the D6600/D6100	8	3.2.5	Ademco High Speed 4-8-1, SCANCOM 4-8-1 (Message Type f)	32
3.0	Computer Communication Protocols.....	9	3.2.6	ADT SIA (Message Type <TAB>)	33
3.1	D6500 Mode Messages	9	3.2.7	Caller ID (Message Type <TAB>)	33
3.1.1	Acron Super Fast (Message Type 9).....	9	3.2.8	CFSK (Message Type I)	34
3.1.2	Ademco 4-1 Express (Message Type b).....	10	3.2.9	Common Formats (Message Type <TAB>) .	34
3.1.3	Ademco 4-2 Express (Message Type c)	10	3.2.10	DNIS/ANI (Message Type N).....	35
3.1.4	Ademco Contact-ID (Message Type a).....	11	3.2.11	DSC 4-3 (Message Type d)	36
3.1.5	Ademco High Speed, 4-8-1 (Message Type f)	11	3.2.12	FBI Super Fast (Message Type F)	37
3.1.6	ADT SIA (Message Type S).....	12	3.2.13	ITI (Message Type I)	38
3.1.7	Caller ID (Message Type e).....	12	3.2.14	Link Test (Message Type <TAB>)	38
3.1.8	CFSK (Message Type i)	13	3.2.15	RB2000 (Message Type R) Description	39
3.1.9	Common Formats (Message Type 1)	13	3.2.16	Robofon (Message Type j)	40
3.1.10	DNIS/ANI (Message Type N)	14	3.2.17	Scancom 4-16-1, 5-16-1, 6-16-1 - Available Upon Request (Message Type g)	40
3.1.11	DSC 4-3 (Message Type d).....	14	3.2.18	Scancom 4-24-1, 5-24-1, 6-24-1 - Available Upon Request (Message Type h)	41
3.1.12	FBI Super Fast (Message Type F)	15	3.2.19	Seriee DTMF (Message Type l).....	42
3.1.13	ITI (Message Type I).....	15	3.2.20	Seriee FSK (Message Type k)	42
3.1.14	Link Test (Message Type 1)	15	3.2.21	Sescoa Super Speed (Message Type 7).....	43
3.1.15	Robofon (Message Type j).....	16	3.2.22	Silent Knight FSK() (Message Type <TAB>).....	44
3.1.16	Sescoa Super Speed (Message Type 7)	17	3.2.23	Silent Knight FSK1 (Message Type m).....	44
3.1.17	Scancom 4-16-1, 5-16-1, 6-16-1 - Available Upon Request (Message Type g)	18	3.2.24	Silent Knight FSK2 (Message Type m).....	46
3.1.18	Scancom 4-24-1, 5-24-1, 6-24-1 - Available Upon Request (Message Type h).....	19	3.2.25	Silent Knight FSK80 (Message Type E)	47
3.1.19	Seriee FSK (Message Type k).....	20	3.2.26	Telim (Message Type n).....	48
3.1.20	Seriee DTMF (Message Type l).....	20	3.2.27	Varitech FSK 4-1 (Message Type <TAB>) .	48
3.1.21	SIA (Message Type S).....	21	3.2.28	Varitech FSK 4-2 (Message Type <TAB>)...	49
3.1.22	Silent Knight FSK0 (Message Type 1)	22	3.2.29	VONK (Message Type V)	49
3.1.23	Silent Knight FSK2 (Message Type m)	24	3.2.30	X-SIA text (Message Type <TAB>)	50
3.1.24	Silent Knight FSK80 D6500 mode (Message Type E)	24	3.2.31	SafeCom (Message Type p)	51
3.1.25	Telim (Message Type n)	25	3.3	Input Command Processing	52
3.1.26	Text Message (Message Type 3).....	25		Appendix A: Contact ID Event Code Classifications	53
3.1.27	Varitech FSK 4-1 (Message Type 1).....	26		Appendix B: Internal Messages.....	58
3.1.28	Varitech FSK 4-2 (Message Type 1).....	26		Appendix C: Modem IIIa² Messages	61
3.1.29	VONK (Message Type V).....	27	C.1	Zonex and Comex Translation	137
3.1.30	X-SIA Text (Message Type S).....	27		Appendix D: Network Messages (D6600 Only) ..	138
3.1.31	SafeCom (Message Type p).....	28		Appendix E: Pulse Output	141
				Appendix F: Format ID (by Message Type) – D6600 Only	146

Appendix G: ADT SIA Report Codes149
Appendix H: D6600 RB2000 Messages151
Appendix I: D6600 SafeCom Messages158

Figures

Figure 1: D6600 System – Standard/Network Automation 7
 Figure 2: D6600 System – Direct Connect 7
 Figure 3: D6100 System – Direct Connect 7
 Figure 4: Null Modem Cable Configuration 8
 Figure 5: Straight-through Modem Cable Configuration 8
 Figure 6: Modem Cable Pin Definitions 8
 Figure 7: Message sent to printer 28
 Figure 8: Message sent to printer 29
 Figure 9: Message sent to printer 30
 Figure 10: Message sent to printer 31
 Figure 11: Message sent to printer 32
 Figure 12: Message sent to printer 34
 Figure 13: Message sent to printer 35
 Figure 14: Message sent to printer 35
 Figure 15: Message sent to printer 36
 Figure 16: Message sent to printer 37
 Figure 17: Single message sent to Printer 39
 Figure 18: Multiple messages sent to printer 39
 Figure 19: Message sent to printer 41
 Figure 20: Message sent to printer 41
 Figure 21: Message sent to printer 43
 Figure 22: Message sent to printer 47
 Figure 23: Message sent to printer 50
 Figure 24: Contact ID format 53
 Figure 25: D6200 Receiver Software Line Card Configuration 141

Tables

Table 1: Recommended Programming Selections.. 8
 Table 2: D6600 Line Number/Group Number Conversion Table 9
 Table 3: Message Type 9 (Acron Super Fast) Byte Description 9
 Table 4: Message Type b (Ademco 4-1 Express) Byte Description 10
 Table 5: Message Type c (Ademco 4-2 Express) Byte Description 10
 Table 6: Message Type a (Ademco Contact ID) Byte Description 11
 Table 7: Message Type f (Ademco High Speed, 4-8-1) Byte Description 11

Table 8: ADT SIA (Message Type S) Byte Description 12
 Table 9: Caller ID (Message Type e) Byte Description 12
 Table 10: CFSK (Message Type i) Byte Description 13
 Table 11: Common Formats (Message Type 1) Byte Description 13
 Table 12: DNIS/ANI (Message Type N) Byte Description 14
 Table 13: DSC-4-3 (Message Type d) Byte Description 14
 Table 14: FBI Super Fast (Message Type F) Byte Description 15
 Table 15: ITI (Message Type I) Byte Description.. 15
 Table 16: Link Test (Message Type 1) Byte Description 16
 Table 17: Robofon (Message Type j) Byte Description 16
 Table 18: Sescoa Super Speed (Message Type 7) Byte Description..... 17
 Table 19: Scancom 4-16-1, 5-16-1, 6-16-1 - Available Upon Request (Message Type g) Byte Description 18
 Table 20: Scancom 4-24-1, 5-24-1, 6-24-1 - Available Upon Request (Message Type h) Byte Description 19
 Table 21: Seriee FSK (Message Type k) Byte Description 20
 Table 22: Seriee DTMF (Message Type l) Byte Description 20
 Table 23: SIA (Message Type S) Byte Description 21
 Table 24: SIA (Message Type S) Byte Description. 21
 Table 25: Silent Knight FSK1 (Message Type m) Byte Description..... 22
 Table 26: Optional Silent Knight SK1 (Message Type m) Byte Description..... 22
 Table 27: Silent Knight Automation Format 23
 Table 28: Silent Knight FSK2 (Message Type m) Byte Description..... 24
 Table 29: Silent Knight FSK80 (Message Type E) Byte Description..... 24
 Table 30: Telim (Message Type n) Byte Description 25
 Table 31: Text Message (Message Type 3) Byte Description 25
 Table 32: Varitech FSK 4-1 (Message Type 1) Byte Description 26
 Table 33: Varitech FSK 4-2 (Message Type 1) Byte Description 26

Table 34: VONK (Message Type V) Byte Description	27	Table 61: ITI (Message Type I) Byte Description..	38
Table 35: X-SIA Text (Message Type S) Byte Description	27	Table 62: Link Test (Message Type <TAB>) Description	38
Table 36: SafeCom (Message Type p) Byte Description	28	Table 63: RB2000 (Message Type R) Byte Description	39
Table 37: Acron Super Fast (Message Type 9) Byte Description	28	Table 64: RB2000 (Message Type R) Printer Output	39
Table 38: Acron Super Fast (Message Type 9) Printer Output.....	28	Table 65: Robofon (Message Type j) Byte Description	40
Table 39: Ademco Contact-ID (Message Type a) Byte Description	29	Table 66: Scancom 4-16-1, 5-16-1, 6-16-1 - Available Upon Request (Message Type g) Byte Description	40
Table 40: Ademco Contact-ID (Message Type a) Printer Output.....	29	Table 67: Scancom 4-16-1, 5-16-1, 6-16-1 - Available Upon Request (Message Type g) Printer Output.....	41
Table 41: Ademco 4-1 Express (Message Type b) Byte Description	30	Table 68: Scancom 4-24-1, 5-24-1, 6-24-1 - Available Upon Request (Message Type h) Byte Description	41
Table 42: Ademco 4-1 Express (Message Type b) Printer Output.....	30	Table 69: Scancom 4-24-1, 5-24-1, 6-24-1 - Available Upon Request (Message Type h) Printer Output.....	41
Table 43: Ademco 4-2 Express (Message Type c) Byte Description	31	Table 70: Seriee DTMF (Message Type l) Byte Description	42
Table 44: Ademco 4-2 Express (Message Type c) Printer Output.....	31	Table 71: Seriee FSK (Message Type k) Byte Description	42
Table 45: Ademco High Speed 4-8-1, SCANCOM 4-8-1 (Message Type F) Byte Description..	32	Table 72: SESCOA Super Speed (Message Type 7) Byte Description.....	43
Table 46: Ademco High Speed, 4-8-1 (Message Type f) Printer Output	32	Table 73: SESCOA Super Speed (Message Type 7) Printer Output	43
Table 47: ADT SIA (Message Type <TAB>) Byte Description	33	Table 74: Silent Knight FSK0 (Message Type <TAB>) Byte Description.....	44
Table 48: Caller ID (Message Type <TAB>) Byte Description	33	Table 75: Silent Knight FSK1 (Message Type m) Byte Description.....	44
Table 49: CFSK (Message Type I) Byte Description	34	Table 76: Optional Silent Knight FSK1 (Message Type m) Byte Description.....	45
Table 50: Common Formats (Message Type <TAB>) Byte Description	34	Table 77: Silent Knight FSK1 Optional Outputs....	45
Table 51: Common Formats (Message Type <TAB>) Byte Description	35	Table 78: Silent Knight FSK2 (Message Type m) Byte Description.....	46
Table 52: DNIS/ANI (Message Type N) Byte Description	35	Table 79: Silent Knight FSK80 (Message Type E) Byte Description.....	47
Table 53: DSC 4-3 (Message Type d) Byte Description	36	Table 80: Silent Knight FSK80 Printer/LCD output	47
Table 54: DSC 4-3 (Message Type d) Printer Output	36	Table 81: Telim (Message Type n) Byte Description	48
Table 55: Event Code Table	36	Table 82: Varitech FSK 4-1 (Message Type <TAB>) Byte Description.....	48
Table 56: Printer Output Codes.....	36	Table 83: Varitech FSK 4-2 (Message Type <TAB>) Byte Description.....	49
Table 57: FBI Super Fast (Message Type F) Byte Description	37	Table 84: VONK (Message Type V) Byte Description	49
Table 58: FBI Super Fast (Message Type F) Printer Output.....	37		
Table 59: Event Code Table	37		
Table 60: Printer Output Codes.....	37		

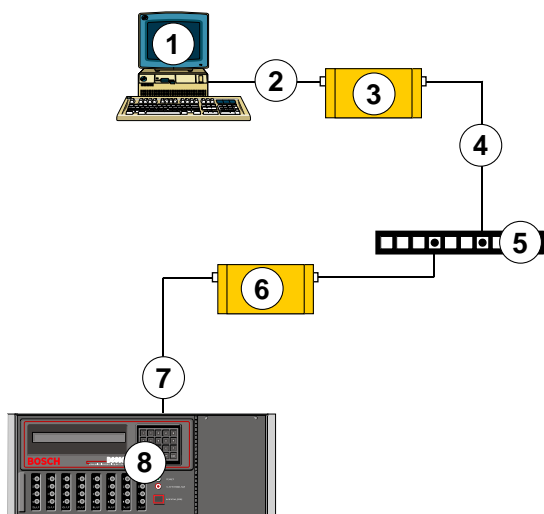
Table 85:	X-SIA text (Message Type <TAB>) Byte Description	50
Table 86:	X-SIA Printer/LCD output	50
Table 87:	SafeCom (Message Type p) Byte Description	51
Table 88:	ASCII Text Message to Automation Port	52
Table 89:	Input Command Output Messages	52
Table 90:	Event Codes	53
Table 91:	Internal Messages	58
Table 92:	Modem IIIa ² Messages	61
Table 93:	Point to Zonex Translation.....	137
Table 94:	User ID to Comex Translation.....	137
Table 95:	Reported Zone/ID to Actual Point/ID .	137
Table 96:	Network Messages.....	138
Table 97:	Pulse 3/1 Format	141
Table 98:	Pulse 3/1E Menu 3.1.3.12 3-1 Extended Format = 1	142
Table 99:	Pulse 3/1E Menu 3.1.3.12 3-1 Extended Format = 2	142
Table 100:	Pulse 3/2.....	143
Table 101:	Pulse 4/1	143
Table 102:	Pulse 4/1E Menu 3.1.3.3 4/1 Extended = 1	144
Table 103:	Pulse 4/1E Menu 3.1.3.3 4/1 Extended = 2	144
Table 104:	Pulse 4/2.....	145
Table 105:	Pulse 4/3	145
Table 106:	Generic Byte Description	146
Table 107:	Generic SIA Byte Description	146
Table 108:	Message Examples	147
Table 109:	ADT SIA Report Codes	149
Table 110:	D6600 RB2000 Messages	151
Table 111:	D6600 Virtual Line Conversion Table .	158
Table 112:	D6600 SafeCom Messages - Line Card or Account Signals	159
Table 113:	D6600 SafeCom Messages - Intercepted Control Panel Signals.....	162
Table 114:	Explanation of Automation Output Items (within Message Body only).....	164
Table 115:	Explanation of Printer Output Items	165
Table 116:	Supported Event Codes.....	166

1.0 System Connection

1.1 Conettix D6680 Ethernet Network Adapter Connection

Use the Conettix D6680 Ethernet Network Adapter to connect a manufacturer's automation software package to the D6600 when the software cannot receive network data (Figure 1). Refer to the *Special Conettix D6600 Applications* in the *Conettix D6600 System Guide* (P/N: 4998122712).

Figure 1: D6600 System – Standard/Network Automation



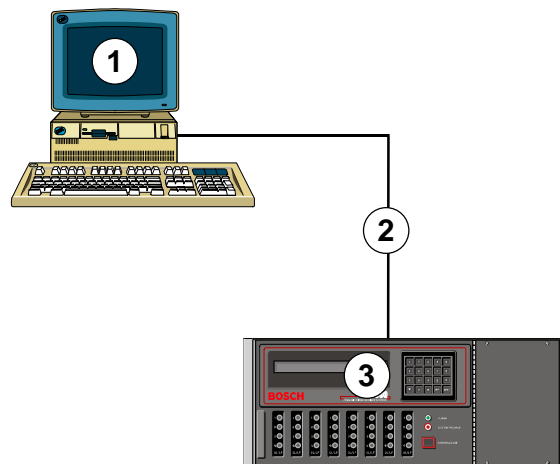
- 1 - Automation PC
- 2 - Connection - PC COM1 to D6680
- 3 - D6680
- 4 - Connection - D6680 to hub
- 5 - Hub
- 6 - Second D6680
- 7 - Connection - D6680 to D6600 COM4
- 8 - D6600

* For automation packages with network capabilities: The packet format received from the D6600 is the same as for RS-232 reporting, except an internet protocol (IP) and user datagram protocol (UDP) header is stamped on the packet as the data transmitted by either standard IP or UDP structure over the network. Automation software can support the network communication easily by calling Socket functions, both provided in Windows and Unix, by using the built-in IP connections (or sockets) available in Windows and Unix.

1.2 Direct Connection – RS-232

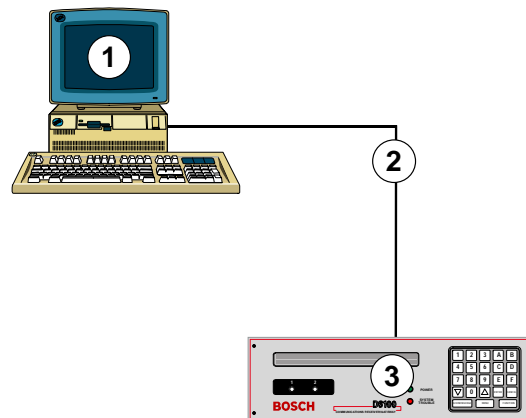
Figure 2 and *Figure 3* show a D6600/D6100 System using any manufacturer's automation software package directly connected to a D6600 or D6100.

Figure 2: D6600 System – Direct Connect



- 1 - Automation PC
- 2 - Connection - Automation PC COM port to D6600 COM3
- 3 - D6600

Figure 3: D6100 System – Direct Connect



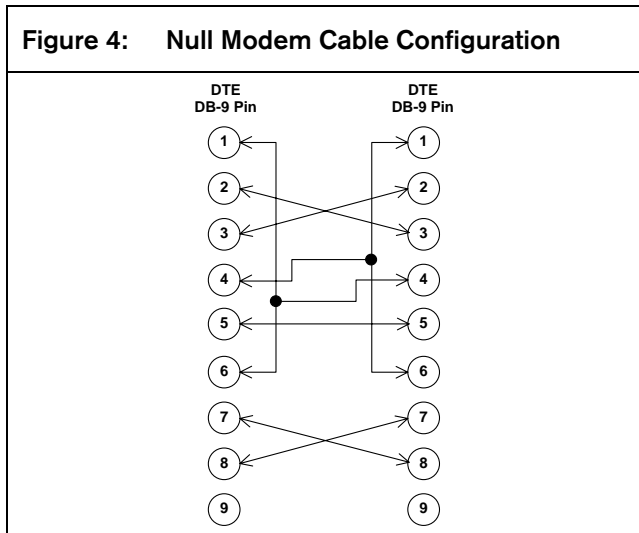
- 1 - Automation PC
- 2 - Connection - Automation PC COM port to D6100 COM3
- 3 - D6100

2.0 Making the Right Connection

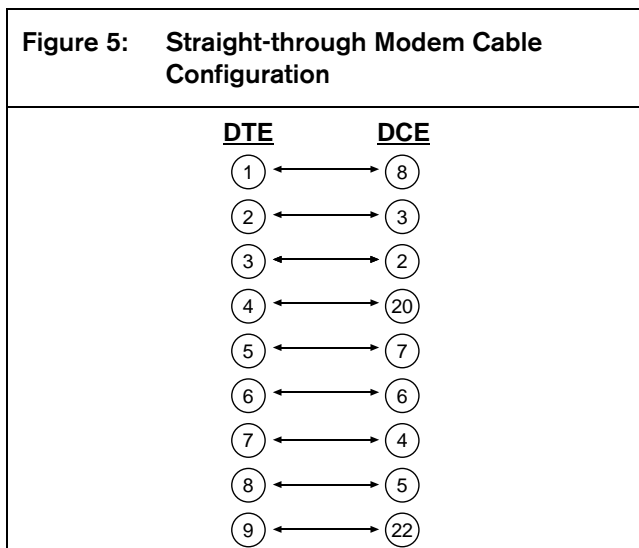
2.1 COM3 DB9 Connector

The COM3 Port uses a standard DB9 female connector. The suggested connection to the computer is shown in *Figure 4* to *Figure 6*.

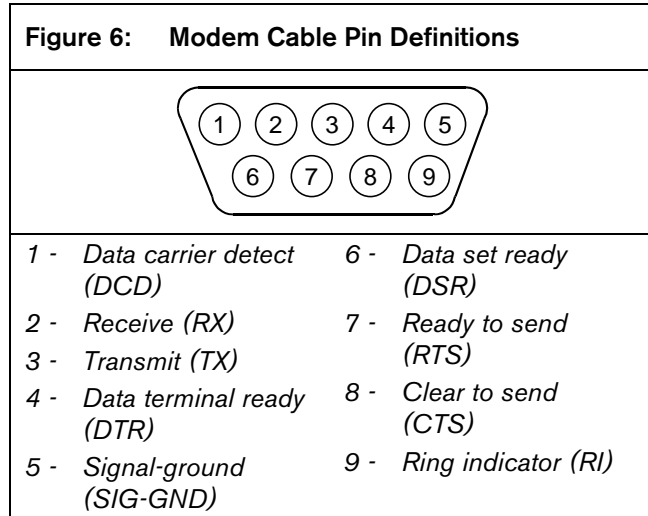
When connecting data terminal equipment (DTE) together (such as a COM1 port to PC serial port), a null-modem cable must be used. One possible configuration for a null-modem cable is shown in *Figure 4*.



When connecting data terminal equipment to data communication equipment (DCE) (such as the D6600/D6100 COM port to a modem), a modem cable should be used (such as a straight-through cable shown in *Figure 5*).



Each pin of the modem cable is defined in *Figure 6*.



2.2 Selecting Program Options in the D6600/D6100

Use the D6600/D6100 keypad or the D6200 Programming Software to program the receivers. Below are the recommended selections for programming when connecting the receivers to an automation system. Additional selections can be found in the *D6600/D6100 Program Entry Guide* (P/N: 4998122702).

Table 1: Recommended Programming Selections

Receiver Gateway Number	Selects a number (01 to 99) that is included in every message to the computer in both D6500 and SIA modes
Output Format	Enable computer output messages in the selected format: SIA computer interface standard format, recommended (expanded reporting capabilities) D6500 21-character format output
Baud Rate	Use maximum speed supported by PC
Link Test	Tests if a supervision signal can be sent and received from the central station by the receiver


3.0 Computer Communication Protocols

3.1 D6500 Mode Messages

In D6500 Mode, the line number/group number sent to the computer is only one digit. Refer to *Table 2*.

Table 2: D6600 Line Number/Group Number Conversion Table

Line# /Group #	Converted to	Line# /Group #	Converted to	Line # /Group #	Converted to	Line # /Group #	Converted to
L01/G01	1	L09/G09	9	L17/G17	H	L25/G25	P
L02/G02	2	L10/G10	A	L18/G18	I	L26/G26	Q
L03/G03	3	L11/G11	B	L19/G19	J	L27/G27	R
L04/G04	4	L12/G12	C	L20/G20	K	L28/G28	S
L05/G05	5	L13/G13	D	L21/G21	L	L29/G29	T
L06/G06	6	L14/G14	E	L22/G22	M	L30/G30	U
L07/G07	7	L15/G15	F	L23/G23	N	L31/G31	V
L08/G08	8	L16/G16	G	L24/G24	O	L32/G32	W

 In D6500 mode, any group that equals 33 is converted to an "X." Any group greater than or equal to 34 is converted to a "Y." For lines that are grouped, Gxx appears instead of Lxx. For networked accounts, Nxx appears instead of Lxx and the line number is identified.

3.1.1 Acron Super Fast (Message Type 9)

Acron Super Fast Example	D6500 Byte Description																					
	1	2	3	4	5	6	7	8	9	10	11	12	13	14	15	16	17	18	19	20	21	22
	h	9	r	r	l	s	s	s	s	a	a	a	a	C	C	C	C	C	C	C	C	t

Table 3: Message Type 9 (Acron Super Fast) Byte Description

#	Title	Description
1	Header Character (h)	Optional. Check with the computer automation software for compatibility.
2	Message Type	9
3-4	Receiver Number	Receiver gateway number from 01 to 99.
5	Line/Group Number	Line number in the receiver gateway that sent the message.
6-9	Spaces	Six spaces.
10-13	Account Number	Account number, four digits.
14-21	Channels	Channels 1 to 8
22	Trailer Character	Typically, this is HEX 14.

3.1.2 Ademco 4-1 Express (Message Type b)

4-1 Express
Example

D6500 Byte Description																					
1	2	3	4	5	6	7	8	9	10	11	12	13	14	15	16	17	18	19	20	21	22
h	b	r	r	l	s	s	s	s	s	s	a	a	a	a	s	E	s	s	s	X	t

Table 4: Message Type b (Ademco 4-1 Express) Byte Description

#	Title	Description
1	Header Character (h)	Optional. Check with the computer automation software for compatibility.
2	Message Type	b
3-4	Receiver Number	Receiver gateway number from 01 to 99.
5	Line/Group Number	Line number in the receiver gateway that sent the message.
6-11	Spaces	Six spaces.
12-15	Account Number	Account number, four digits.
16	Space	One space.
17	E	Event Code, "A" as the default.
18-20	Spaces	Three spaces.
21	X	Zone number.
22	Trailer Character	Typically, this is HEX 14.

3.1.3 Ademco 4-2 Express (Message Type c)

4-2 Express
Example

D6500 Byte Description																					
1	2	3	4	5	6	7	8	9	10	11	12	13	14	15	16	17	18	19	20	21	22
h	c	r	r	l	s	s	s	s	s	s	a	a	a	a	s	E	s	s	X	Y	t

Table 5: Message Type c (Ademco 4-2 Express) Byte Description

#	Title	Description
1	Header Character (h)	Optional. Check with the computer automation software for compatibility.
2	Message Type	c
3-4	Receiver Number	Receiver gateway number from 01 to 99.
5	Line/Group Number	Line number in the receiver gateway that sent the message.
6-11	Spaces	Six spaces.
12-15	Account Number	Account number, four digits.
16	Space	One space.
17	E	Event Code, "A" as the default.
18-19	Spaces	Two spaces.
20-21	XY	Event code and zone number.
22	Trailer Character	Typically, this is HEX 14.

3.1.4 Ademco Contact-ID (Message Type a)

Contact ID Example	D6500 Byte Description																					
	1	2	3	4	5	6	7	8	9	10	11	12	13	14	15	16	17	18	19	20	21	22
	h	a	r	r	l	s	a	a	a	a	l	8	Q	X	Y	Z	G	G	C	C	C	t

Table 6: Message Type a (Ademco Contact ID) Byte Description

#	Title	Description
1	Header Character (h)	Optional. Check with the computer automation software for compatibility.
2	Message Type	a
3-4	Receiver Number	Receiver gateway number from 01 to 99.
5	Line/Group Number	Line number in the receiver gateway that sent the message.
6	Space	One space.
7-10	Account Number	Account number, four digits.
11-12	18	Ademco Contact-ID format number
13	Qualifier	Qualifier, 1=New event or opening, 3=New restore or closing, 6=Previous event.
14-16	XYZ	Class code and event code (see Appendix A).
17-18	GG	Group number.
19-21	CCC	Zone codes or user ID.
22	Trailer Character	Typically, this is HEX 14.

3.1.5 Ademco High Speed, 4-8-1 (Message Type f)



SCANCOM 4-8-1, 5-8-1, 6-8-1 - Available Upon Request

High Speed Example	D6500 Byte Description																							
	1	2	3	4	5	6	7	8	9	10	11	12	13	14	15	16	17	18	19	20	21	22	23	24
	h	f	r	r	l	a	a	a	a	a	a	s	C	C	C	C	s	C	C	C	C	s	C	t

Table 7: Message Type f (Ademco High Speed, 4-8-1) Byte Description

#	Title	Description
1	Header Character (h)	Optional. Check with the computer automation software for compatibility.
2	Message Type	f
3-4	Receiver Number	Receiver gateway number from 01 to 99.
5	Line/Group Number	Line number in the receiver gateway that sent the message.
6-11	Account Number	Account number, up to six digits. Account number less than six characters is right aligned with leading ASCII spaces.
12	Space	One space.
13-16	CCCC	Channels 1 to 4.
17	Space	One space.
18-21	CCCC	Channels 5 to 8.
22	Space	One space.
23	C	Supervisory channel.
24	Trailer Character	Typically, this is HEX 14.

3.1.6 ADT SIA (Message Type S)

ADT SIA Example	D6500 Byte Description																				
	1	2	3	4	5	6	7	8	9	10	11	12	13	14	15	16	17	18	19	20	21
	h	S	r	r	l	[#	a	a	a	a		d	a	m	m	-	d	d	-	y
	22	23	24	25	26	27	28	29	30	31	32	33	34	35	36	37	38	39	40	41	42
	y	t	I	h	h	:	m	m	:	s	s	E	M	M	Z	Z	Z	Z	/	**	t
																				*	

Table 8: ADT SIA (Message Type S) Byte Description

#	Title	Description
1	Header Character (h)	Optional. Check with the computer automation software for compatibility.
2	Message Type	S
3-4	Receiver Number	Receiver gateway number from 01 to 99.
5	Line/Group Number	Line number in the receiver gateway that sent the message.
6	space	One space.
7	#	#
8-11	Account Number	Up to sixteen digits in the account number.
12		Separator. Indicates more data positions after account number.
13-32	Date and Time	Date and time.
33	E	SIA block code.
34-35	Event Code	SIA event code (refer to <i>Appendix G ADT SIA Report Codes</i> on page 149).
36-39	Zone	Zone number.
40	/	Separator.
41	***	Next block of data.
42	Trailer Character	Typically, this is HEX 14.

3.1.7 Caller ID (Message Type e)

Caller ID Example	D6500 Byte Description																					
	1	2	3	4	5	6	7	8	9	10	11	12	13	14	15	16	17	18	19	20	21	22
	h	e	r	r	l	T	T	T	T	T	T	T	T	T	T	T	T	T	T	T	T	T

Table 9: Caller ID (Message Type e) Byte Description

#	Title	Description
1	Header Character (h)	Optional. Check with the computer automation software for compatibility.
2	Message Type	e
3-4	Receiver Number	Receiver gateway Number from 01 to 99.
5	Line/Group Number	Line number in the receiver gateway that sent the message.
6-21	Caller ID	Up to sixteen digits, Caller ID with less than sixteen characters is right aligned with leading ASCII spaces.
22	Trailer Character	Typically, this is HEX 14.

3.1.8 CFSK (Message Type i)

CFSK Example

D6500 Byte Description																					
1	2	3	4	5	6	7	8	9	10	11	12	13	14	15	16	17	18	19	20	21	22
h	i	r	r	l	s	s	s	s	a	a	a	a	a	a	T	T	E	E	s	s	t

Table 10: CFSK (Message Type i) Byte Description

#	Title	Description
1	Header Character (h)	Optional. Check with the computer automation software for compatibility.
2	Message Type	i
3-4	Receiver Number	Receiver gateway number from 01 to 99.
5	Line/Group Number	Line number in the receiver gateway that sent the message.
6-9	Spaces	Four spaces.
10-15	Account Number	Six digit account number.
16-17	TT	Event Code.
18-19	EE	Zone/User ID.
20-21	Spaces	Two spaces.
22	Trailer Character	Typically, this is HEX 14.

3.1.9 Common Formats (Message Type 1)

Type 1 Example

D6500 Byte Description																					
1	2	3	4	5	6	7	8	9	10	11	12	13	14	15	16	17	18	19	20	21	22
h	l	r	r	l	a	a	a	a	a	a	a	a	a	a	E	E	y	y	y	y	t

Table 11: Common Formats (Message Type 1) Byte Description

#	Title	Description
1	Header Character (h)	Optional. Check with the computer automation software for compatibility.
2	Message Type	1
3-4	Receiver Number	Receiver gateway number from 01 to 99.
5	Line Number	Line number in the receiver gateway that sent the message.
6-15	Account Number	Account number, up to ten digits. Account numbers less than ten characters are right aligned with leading ASCII spaces.
16-17	Event Code	Event codes define the type of signal received and interpreted by the D6500 receiver gateway.
18-21	Zone Number	Zone or ID number sent by the communicator. Zone numbers less than four digits are right aligned with leading ASCII spaces.
22	Trailer Character	Typically, this is HEX 14.

The receiver gateway will send the 3-1, 4-1, 4-2, single round, double round, extended pulse formats, BFSK, Modem II or Modem IId messages in either D6500 Mode or SIA Mode, depending on the programmable option selected. The receiver gateway also sends internal and Modem IIIa² messages in either D6500 mode or SIA mode, depending on the option selected. Refer to *Appendix B: Internal Messages* on page 58 and *Appendix C: Modem IIIa² Messages* on page 61 for a list of the messages and their descriptions.

3.1.10 DNIS/ANI (Message Type N)

DNIS/ANI Example	D6500 Byte Description															
	1	2	3	4	5	6	7	8	9	10	11	12	13	14	15	16
	H	N	r	r	l	s	D	d	d	d	d	d	d	d	d	d
	17	18	19	20	21	22	23	24	25	26	27	28	29	30	31	
	d	d	&	a	a	a	a	a	a	a	a	a				

Table 12: DNIS/ANI (Message Type N) Byte Description

#	Title	Description
1	Header Character (H)	Optional. Check with the computer automation software for compatibility.
2	Message Type	N (Capital n).
3-4	Receiver Number	Receiver gateway number from 01 to 99.
5	Line/Group Number	Line number in the receiver gateway that sent the message.
6	Space	One space.
7	DNIS Identifier	DNIS identifier.
8-18	DNIS Number	DNIS number, up to 11 digits.
19	ANI Identifier (&)	ANI identifier.
20-30	ANI Number	ANI number, up to 11 digits.
31	Trailer Character	Typically, this is HEX 14.

3.1.11 DSC 4-3 (Message Type d)

DSC 4-3 Example	D6500 Byte Description																					
	1	2	3	4	5	6	7	8	9	10	11	12	13	14	15	16	17	18	19	20	21	22
	h	d	r	r	l	s	s	s	s	s	s	a	a	a	a	s	E	s	X	Y	Y	t

Table 13: DSC-4-3 (Message Type d) Byte Description

#	Title	Description
1	Header Character (h)	Optional. Check with the computer automation software for compatibility.
2	Message Type	d
3-4	Receiver Number	Receiver gateway number from 01 to 99.
5	Line/Group Number	Line number in the receiver gateway that sent the message.
6-11	Spaces	Six spaces.
12-15	Account Number	Account number, four digits.
16	Space	One space.
17	E	Event Code, "A" as the default.
18	Space	One space.
19	X	Event code number.
20-21	YY	Zone number.
22	Trailer Character	Typically, this is HEX 14.

3.1.12 FBI Super Fast (Message Type F)

FBI Super Fast Example

D6500 Byte Description																					
1	2	3	4	5	6	7	8	9	10	11	12	13	14	15	16	17	18	19	20	21	22
h	F	r	r	l	s	s	s	s	s	s	a	a	a	a	T	Z	Z	E	s	s	t

Table 14: FBI Super Fast (Message Type F) Byte Description

#	Title	Description
1	Header Character (h)	Optional. Check with the computer automation software for compatibility.
2	Message Type	F (Capital f).
3-4	Receiver Number	Receiver gateway number from 01 to 99.
5	Line/Group Number	Line number in the receiver gateway that sent the message.
6-11	Spaces	Six spaces.
12-15	Account Number	Account number, four digits.
16	T	Zone type.
17-18	ZZ	Zone number.
19	E	Event type.
20-21	Spaces	Two spaces.
22	Trailer Character	Typically, this is HEX 14.

3.1.13 ITI (Message Type I)

ITI Example

D6500 Byte Description																					
1	2	3	4	5	6	7	8	9	10	11	12	13	14	15	16	17	18	19	20	21	22
h	I	r	r	l	s	s	s	a	T	a	a	a	a	G	I	Z	Z	E	W	N	t

Table 15: ITI (Message Type I) Byte Description

#	Title	Description
1	Header Character (h)	Optional. Check with the computer automation software for compatibility.
2	Message Type	I (Capital i).
3-4	Receiver Number	Receiver gateway number from 01 to 99.
5	Line/Group Number	Line number in the receiver gateway that sent the message.
6-8	Spaces	Three spaces.
9	Account Number	First digit account number.
10	Panel Type	Control panel Type.
11-14	Account Number	Next four digit account number.
15	G	Group number.
16	I	Open/close (O/C) User ID.
17-18	ZZ	Zone number.
19	E	Condition code.
20	W	Protection level was.
21	N	Protection level is.
22	Trailer Character	Typically, this is HEX 14.

3.1.14 Link Test (Message Type 1)

Link Test Example

D6500 Byte Description																					
1	2	3	4	5	6	7	8	9	10	11	12	13	14	15	16	17	18	19	20	21	22
h	1	r	r	0	s	s	s	s	s	s	s	s	s	s	s	@	s	s	s	s	t

The D6600/D6100 can automatically generate this message at the programmed intervals.

Table 16: Link Test (Message Type 1) Byte Description

#	Title	Description
1	Header Character (h)	Optional. Check with the computer automation software for compatibility.
2	Message Type	1
3-4	Receiver Number	Receiver gateway number from 01 to 99.
5	Line Number	Line number as zero for link test.
6-15	Spaces	Eleven spaces.
16-17	Event Code	Event code is @ for link test.
18-21	Spaces	Four spaces.
22	Trailer Character	Typically, this is HEX 14.

3.1.15 Robofon (Message Type j)

Robofon
Example

D6500 Byte Description																					
1	2	3	4	5	6	7	8	9	10	11	12	13	14	15	16	17	18	19	20	21	22
h	j	r	r	l	s	s	s	s	a	a	a	a	a	a	E	E	s	s	s	s	t

Table 17: Robofon (Message Type j) Byte Description

#	Title	Description
1	Header Character (h)	Optional. Check with the computer automation software for compatibility.
2	Message Type	j
3-4	Receiver Number	Receiver gateway number from 01 to 99.
5	Line/Group Number	Line number in the receiver gateway that sent the message.
6-9	Spaces	Four spaces.
10-15	Account Number	Six digit account number.
16-17	EE	Event code.
18-21	Spaces	Four spaces.
22	Trailer Character	Typically, this is HEX 14.

3.1.16 Sescoa Super Speed (Message Type 7)

Sescoa Super Speed Example

D6500 Byte Description																					
1	2	3	4	5	6	7	8	9	10	11	12	13	14	15	16	17	18	19	20	21	22
h	7	r	r	l	s	s	s	s	s	s	a	a	a	a	s	I	A	A	C	s	t

Table 18: Sescoa Super Speed (Message Type 7) Byte Description

#	Title	Description
1	Header Character (h)	Optional. Check with the computer automation software for compatibility.
2	Message Type	7
3-4	Receiver Number	Receiver gateway number from 01 to 99.
5	Line/Group Number	Line number in the receiver gateway that sent the message.
6-11	Spaces	Six spaces.
12-15	Account Number	Account number, four digits.
16	Space	One space.
17	I	Event code.
18-19	AA	Two digit zone code or the first two digits user code.
20	C	Space if zone report, or the last digit user code.
21	s	One space.
22	Trailer Character	Typically, this is HEX 14.

3.1.17 Scancom 4-16-1, 5-16-1, 6-16-1 - Available Upon Request (Message Type g)

Scancom 4-16-1,
5-16-1, 6-16-1
Example

D6500 Byte Description																
1	2	3	4	5	6	7	8	9	10	11	12	13	14	15	16	17
h	g	r	r	l	a	a	a	a	a	a	s	C	C	C	C	s
18	19	20	21	22	23	24	25	26	27	28	29	30	31	32	33	34
C	C	C	C	s	C	C	C	C	s	C	C	C	C	s	C	t

Table 19: Scancom 4-16-1, 5-16-1, 6-16-1 - Available Upon Request (Message Type g) Byte Description

#	Title	Description
1	Header Character (h)	Optional. Check with the computer automation software for compatibility.
2	Message Type	g
3-4	Receiver Number	Receiver gateway number from 01 to 99.
5	Line/Group Number	Line number in the receiver gateway that sent the message.
6-11	Account Number	Account number up to six digits. Account numbers less than six characters are right aligned with leading ASCII spaces.
12	Space	One space.
13-16	CCCC	Channels 1 to 4.
17	Space	One space.
18-21	CCCC	Channels 5 to 8.
22	Space	One space.
23-26	CCCC	Channels 9 to 12.
27	Space	One space.
28-31	CCCC	Channels 13 to 16.
32	Space	One space.
33	C	Supervisory channel.
34	Trailer Character	Typically, this is HEX 14.

3.1.18 Scancom 4-24-1, 5-24-1, 6-24-1 - Available Upon Request (Message Type h)

Scancom 4-24-1 Example	D6500 Byte Description																					
	1	2	3	4	5	6	7	8	9	10	11	12	13	14	15	16	17	18	19	20	21	22
	h	h	r	r	l	a	a	a	a	a	s	C	C	C	C	s	C	C	C	C	s	
	23	24	25	26	27	28	29	30	31	32	33	34	35	36	37	38	39	40	41	42	43	44
	C	C	C	C	s	C	C	C	C	s	C	C	C	C	s	C	C	C	C	s	C	t

Table 20: Scancom 4-24-1, 5-24-1, 6-24-1 - Available Upon Request (Message Type h) Byte Description

#	Title	Description
1	Header Character (h)	Optional. Check with the computer automation software for compatibility.
2	Message Type	h
3-4	Receiver Number	Receiver gateway number from 01 to 99.
5	Line/Group Number	Line number in the receiver gateway that sent the message.
6-11	Account Number	Account number up to six digits. Account numbers less than six characters are right aligned with leading ASCII spaces.
12	Space	One space.
13-16	CCCC	Channels 1 to 4.
17	Space	One space.
18-21	CCCC	Channels 5 to 8.
22	Space	One space.
23-26	CCCC	Channels 9 to 12.
27	Space	One space.
28-31	CCCC	Channels 13 to 16.
32	Space	One space.
33-36	CCCC	Channels 17 to 20.
37	Space	One space.
38-41	CCCC	Channels 21 to 24.
42	Space	One space.
43	C	Supervisory channel.
44	Trailer Character	Typically, this is HEX 14.

3.1.19 Seriee FSK (Message Type k)

Seriee FSK
Example

D6500 Byte Description																					
1	2	3	4	5	6	7	8	9	10	11	12	13	14	15	16	17	18	19	20	21	22
h	k	r	r	l	s	s	s	s	s	s	a	a	a	a	a	s	E	s	Z	Z	t

Table 21: Seriee FSK (Message Type k) Byte Description

#	Title	Description
1	Header Character (h)	Optional. Check with the computer automation software for compatibility.
2	Message Type	k
3-4	Receiver Number	Receiver gateway number from 01 to 99.
5	Line/Group Number	Line number in the receiver gateway that sent the message.
6-11	Spaces	Six spaces.
12-16	Account Number	Five digit account number.
17	Space	One space.
18	E	Event code.
19	Space	One space.
20 -21	ZZ	Zone number.
22	Trailer Character	Typically, HEX 14.

3.1.20 Seriee DTMF (Message Type l)

Seriee DTMF
Example

D6500 Byte Description																					
1	2	3	4	5	6	7	8	9	10	11	12	13	14	15	16	17	18	19	20	21	22
h	l	r	r	l	L	L	*	a	a	a	a	a	a	*			.	.	.		t

Table 22: Seriee DTMF (Message Type l) Byte Description

#	Title	Description
1	Header Character (h)	Optional. Check with the computer automation software for compatibility.
2	Message Type	l (lowercase L).
3-4	Receiver Number	Receiver gateway number from 01 to 99.
5	Line/Group Number	Line number in the receiver gateway that sent the message.
6-7	LL	Data length.
8	*	Data separator.
9-14	Account number	Four, five or six account numbers.
15	*	Data separator.
16-21	***	DTMF Seriee Data.
22	Trailer Character	Typically, HEX 14.

3.1.21 SIA (Message Type S)

Defined Messages

SIA Example	D6500 Byte Description																					
	1	2	3	4	5	6	7	8	9	10	11	12	13	14	15	16	17	18	19	20	21	22
	h	S	r	r	l	[#	a	a	a	a		E	M	M	Z	Z	Z	Z	/	***]	t

Table 23: SIA (Message Type S) Byte Description

#	Title	Description
1	Header Character (h)	Optional. Check with the computer automation software for compatibility.
2	Message Type	S
3-4	Receiver Number	Receiver gateway number from 01 to 99.
5	Line/Group Number	Line number in the receiver gateway that sent the message.
6	[Open bracket.
7	#	#
8-11	Account Number	Up to sixteen digits may be used in the account number.
12		Separator, indicates more data positions after account number.
13	E	SIA block code.
14-15	Event Code	SIA Event code.
16-19	Zone	Zone number.
20	/	Separator.
21	***]	Next block of data.
22	Trailer Character	Typically, HEX 14.

Undefined Messages

When an SIA message contains unprintable characters (unprintable characters are out of ASCII range 0x32-0x7E) or without an account block:

SIA Example	D6500 Byte Description													
	1	2	3	4	5	6	7	...	N-1	N				
	h	S	r	r	L	[data]	t			

Table 24: SIA (Message Type S) Byte Description

#	Title	Description
1	Header Character (h)	Optional. Check with the computer automation software for compatibility.
2	Message Type	S
3-4	Receiver Number	Receiver gateway number from 01 to 99.
5	Line/Group Number	Line number in the receiver gateway that sent the message.
6	[Open bracket.
7-(N-2)	data	The received SIA message contains hex characters either with or without account portion.
N	Trailer Character	Typically, HEX 14.

3.1.22 Silent Knight FSK0 (Message Type 1)

Silent Knight
FSK0 Example

D6500 Byte Description																					
1	2	3	4	5	6	7	8	9	10	11	12	13	14	15	16	17	18	19	20	21	22
h	l	r	r	l	s	s	s	s	s	s	a	a	a	a	s	E	s	s	s	Z	t

Table 25: Silent Knight FSK1 (Message Type m) Byte Description

#	Title	Description
1	Header Character (h)	Optional. Check with the computer automation software for compatibility.
2	Message Type	1
3-4	Receiver Number	Receiver gateway number from 01 to 99.
5	Line/Group Number	Line number in the receiver gateway that sent the message.
6-11	Spaces	Six spaces.
12-15	Account Number	Four digit account number.
16	Spaces	One space.
17	E	Event code.
18-20	Space	Three spaces.
21	Zone number	Zone number.
22	Trailer Character	Typically, HEX 14.

Optional Silent Knight SK1 (Message Type m):



If Menu Item 2.5.16 in the D6600/D6100 Receiver is equal to 1, the following output is used.

Silent Knight
FSK1 Example

D6500 Byte Description																					
1	2	3	4	5	6	7	8	9	10	11	12	13	14	15	16	17	18	19	20	21	22
h	m	r	r	l	s	a	a	a	a	a	a	a	a	"	Z	Z	"	.	.	.	t

Table 26: Optional Silent Knight SK1 (Message Type m) Byte Description

#	Title	Description
1	Header Character (h)	Optional. Check with the computer automation software for compatibility.
2	Message Type	m
3-4	Receiver Number	Receiver gateway number from 01 to 99.
5	Line/Group Number	Line number in the receiver gateway that sent the message.
6	Spaces	One space.
7-14	Account Number	Maximum eight-digit account code. If the account code is less than eight digits, enter the actual number of digits without a leading space.
15	"	Separator.
16-17	ZZ	First zone number, up to eight reports, one report has two digits.
18	"	Separator.
19	***	More data.
21	Trailer Character	Typically, HEX 14.

Table 27: Silent Knight Automation Format

Report Code	Description	To Automation		Note
		2 5 16=0(EEZZ)	2 5 16=1(ZZ)	
00:	Alarm Panic	PAss	00	
01 to 08:	Alarm 01 to 08	sA0x	01 to 08	x=1 to 8
09:	Holdup	HAss	09	
10 to 19:	Alarm 10 to 19	sA1x	10 to 19	x=0 to 9
20 to 29:	Alarm Restore 10 to 19	sH1x	20 to 29	x=0 to 9
30:	Test Code	sXss	30	
31:	Trouble Line 1	LT01	31	
32:	Trouble Line 2	LT02	32	
33:	Expand Trouble	ETss	33	
34:	Forced Access	DFss	34	
35:	Restore Line 1	LR01	35	
36:	Restore Line 2	LR02	36	
37:	Expand Restore	ERss	37	
38:	Cancel Code	OCss	38	
39:	Data Lost	RTss	39	
40:	Closing	CL00	40	
41 to 49:	Closing 01 to 09	CL0x	41 to 49	x=1 to 9
50 to 59:	Bypass 10 to 19	sB1x	50 to 59	x=0 to 9
60:	Trouble AC	ATss	60	
61 to 68:	Trouble 01 to 08	sT0x	61 to 68	x=1 to 8
69:	Trouble BAT	YTss	69	
70:	Restore AC	ARss	70	
71 to 78:	Restore 01 to 08	sRss	71 to 78	
79:	Restore BAT	YRss	79	
80:	Access	DS00	80	
81 to 89:	Access 01 to 09	DG0x	80 to 89	x=1 to 9
90:	Opening	OP00	90	
91 to 99:	Opening 01 to 09	OP0x	91 to 99	

3.1.23 Silent Knight FSK2 (Message Type m)

Silent Knight FSK2 Example	D6500 Byte Description																					
	1	2	3	4	5	6	7	8	9	10	11	12	13	14	15	16	17	18	19	20	21	22
	h	m	r	r	l	s	a	a	a	a	a	a	a	a	"	E	E	Z	Z	"	*	t
																					*	*

Table 28: Silent Knight FSK2 (Message Type m) Byte Description

#	Title	Description
1	Header Character (h)	Optional. Check with the computer automation software for compatibility.
2	Message Type	m
3-4	Receiver Number	Receiver gateway number from 01 to 99.
5	Line/Group Number	Line number in the receiver gateway that sent the message.
6	Spaces	One space.
7-14	Account Number	Maximum eight-digit account code. If the account code is less than eight digits, enter the actual number of digits without a leading space.
15	"	Separator.
16-19	EEZZ	First event and zone number. If this is the only event, it will be ended with the terminator. Up to eight reports. One report has four digits: one-digit event code, one-digit condition code, two-digit zone code.
20	"	Separator.
21	***	Next data.
22	Trailer Character	Typically, HEX 14.

3.1.24 Silent Knight FSK80 D6500 mode (Message Type E)

Silent Knight FSK80 Example	D6500 Byte Description																					
	1	2	3	4	5	6	7	8	9	10	11	12	13	14	15	16	17	18	19	20	21	22
	h	E	r	r	l	s	s	s	s	s	s	A	A	A	A	s	A	s	s	X	Y	t

Table 29: Silent Knight FSK80 (Message Type E) Byte Description

#	Title	Description
1	Header Character (h)	Optional. Check with the computer automation software for compatibility.
2	Message Type	E
3-4	Receiver Number	Receiver gateway number from 01 to 99.
5	Line/Group Number	Line number in the receiver gateway that sent the message.
6-11	Spaces	
12-15	Account Number	Four-digit account number.
16	Space	
17	Filler character A	Always char "A".
18-19	Spaces	
20-21	XY	Two-digit alarm zone code.
24	Trailer Character	Typically, HEX 14.

3.1.25 Telim (Message Type n)

Telim Example

D6500 Byte Description																
1	2	3	4	5	6	7	8	9	10	11	12	13	14	15	16	17
h	n	R	R	L	s	A	A	A	A	A	A	s	E	T	T	Z
18	19	20	21	22	23	24	25	26	27	28	29	30	31	32	33	
Z	Z	Z	Z	Z	Z	Z	Z	Z	Z	Z	Z	Z	Z	Z	t	Z

Table 30: Telim (Message Type n) Byte Description

#	Title	Description
1	Header Character (h)	Optional. Check with the computer automation software for compatibility.
2	Message Type	n
3-4	Receiver Number	Receiver gateway number from 01 to 99.
5	Line/Group Number	Line number in the receiver gateway that sent the message.
6	Space	One space.
7-12	Account Number	Six digit account number.
13	Space	One space.
14	E	Event code.
15-32	TTZZZZZZZZZZZZ	Input line number.
33	Trailer Character	Typically, HEX 14.

3.1.26 Text Message (Message Type 3)

Type 3 Example

D6500 Byte Description																					
1	2	3	4	5	6	7	8	9	10	11	12	13	14	15	16	17	18	19	20	21	22
h	3	r	r	l	P	R	I	N	T	E	R					v	v	.	v	v	t

Table 31: Text Message (Message Type 3) Byte Description

#	Title	Description
1	Header Character (h)	Optional. Check with the computer automation software for compatibility.
2	Message Type	3
3-4	Receiver Number	Receiver gateway number from 01 to 99.
5	Line Number	Line number fixed at 1.
6-21	Message Text	Sixteen characters in length.
22	Trailer Character	Typically, HEX 14.

3.1.27 Varitech FSK 4-1 (Message Type 1)

Varitech FSK 4-1
Example

D6500 Byte Description																					
1	2	3	4	5	6	7	8	9	10	11	12	13	14	15	16	17	18	19	20	21	22
h	1	r	r	l	s	s	s	s	s	s	a	a	a	a	s	E	s	s	s	X	t

Table 32: Varitech FSK 4-1 (Message Type 1) Byte Description

#	Title	Description
1	Header Character (h)	Optional. Check with the computer automation software for compatibility.
2	Message Type	1
3-4	Receiver Number	Receiver gateway number from 01 to 99.
5	Line/Group Number	Line number in the receiver gateway that sent the message.
6-11	Spaces	Six spaces.
12-15	Account Number	Four digit account number.
16	Space	One space.
17	E	Event code.
18-20	Spaces	Three spaces.
21	X	Zone number.
22	Trailer Character	Typically, HEX 14.

3.1.28 Varitech FSK 4-2 (Message Type 1)

Varitech FSK 4-2
Example

D6500 Byte Description																					
1	2	3	4	5	6	7	8	9	10	11	12	13	14	15	16	17	18	19	20	21	22
h	1	r	r	l	s	s	s	s	s	s	a	a	a	a	s	E	s	s	X	Y	t

Table 33: Varitech FSK 4-2 (Message Type 1) Byte Description

#	Title	Description
1	Header Character (h)	Optional. Check with the computer automation software for compatibility.
2	Message Type	1
3-4	Receiver Number	Receiver gateway number from 01 to 99.
5	Line/Group Number	Line number in the receiver gateway that sent the message.
6-11	Spaces	Six spaces.
12-15	Account Number	Four digit account number.
16	Space	One space.
17	E	Event code.
18-19	Spaces	Two spaces.
20-21	XY	Zone number.
22	Trailer Character	Typically, HEX 14.

3.1.29 VONK (Message Type V)

VONK Example	D6500 Byte Description																							
	1	2	3	4	5	6	7	8	9	10	11	12	13	14	15	16	17	18	19	20	21	22	23	24
	h	V	r	r	l	A	A	1	2	3	4	5	6	7	8	9	A	B	C	D	E	F	G	t

Table 34: VONK (Message Type V) Byte Description

#	Title	Description
1	Header Character (h)	Optional. Check with the computer automation software for compatibility.
2	Message Type	V
3-4	Receiver Number	Receiver gateway number from 01 to 99.
5	Line/Group Number	Line number in the receiver gateway that sent the message.
6-7	Account Number	Two digit account number.
8-23	Zone status	Status of zones 1 to 16. If the zone is Closed, a "."(Period) is in this position. If the zone is Open, 1 to G appears in this position.
24	Trailer Character	Typically, HEX 14

3.1.30 X-SIA Text (Message Type S)

X-SIA Example	D6500 Byte Description																						
	1	2	3	4	5	6	7	8	9	10	11	12	13	14	15	16	17	18	19	20	21	22	
	h	S	r	r	l	[#	a	a	a	a		E	M	M	Z	Z	Z	Z	*	`	T	
	23	24	25	26	27	28	29	30	31	32	33	34	35	36	37	38	39	40	41	42			
	T	T	T	T	T	T	T	T	T	T	T	T	`	N	M	/	*	*	*	t			

Table 35: X-SIA Text (Message Type S) Byte Description

#	Title	Description
1	Header Character (h)	Optional. Check with the computer automation software for compatibility.
2	Message Type	S
3-4	Receiver Number	Receiver gateway number from 01 to 99.
5	Line/Group Number	Line number in the receiver gateway that sent the message.
6	[Open bracket.
7	#	#
8-11	Account Number	Use up to sixteen digits in the account number.
12		Separator. Indicates more data positions after account number.
13	E	SIA block code.
14-15	MM	SIA event code.
16-19	ZZZZ	Zone number.
20	*	Text identifier.
21	'	Quotation mark (single).
22-34	TT...T	13 character text string.
35	'	Quotation mark (single).
36-37	NM	Unit field characters.
38	/	Separator.
39-41	***	Next block of data.
42	Trailer Character	Typically, HEX 14.

3.1.31 SafeCom (Message Type p)

SafeCom Example

D6500 Byte Description																
1	2	3	4	5	6	7	8	9	10	11	12	13	14	...	N-1	N
h	p	r	r	l	A	A	A	A	E	E	E	E	...	data	...	t

Table 36: SafeCom (Message Type p) Byte Description

#	Title	Description
1	Header Character (h)	Optional. Check with the computer automation software for compatibility.
2	Message Type	p
3-4	Receiver Number	Receiver gateway number from 01 to 99.
5	Line Card Number	Line number in the receiver gateway that sent the message.
6-9	Account Number	Four digits.
10-13	Event Code	Four digits.
14-(N-1)	Data	Parameter data for event code.
N	Trailer Character	Typically, HEX 14.

3.2 SIA Mode Messages

Use the SIA mode for central station monitoring.

3.2.1 Acron Super Fast (Message Type 9)

Acron Super Fast Example

SIA Mode Description
<LF><CRC><9><sequence#><receiver#><line#> [#aaaa CCCCCC] <CR>

Table 37: Acron Super Fast (Message Type 9) Byte Description

Title	Description
L	Standard line feed character.
CRC	Cyclical redundancy check number.
Message Type	9
sequence#	The message sequence number. The valid sequence number range is 0001 to 9999.
receiver#	The receiver gateway that sent the message. Valid digits are 01 to 99 for the D6600/D6100.
line# (Line/Group #)	The line number of the line in the receiver gateway that sent the message. Valid digits are 00 to 99. The receiver uses Line 0 (zero) for internal messages.
account#	The communicator's account number has four digits.

Figure 7: Message sent to printer

```
mm/ddshh:mmsLxxsACNsACCTsaaaa+++sACCsa
aaasCCCCsCCCC
```



For lines that are grouped, Gxx appears instead of Lxx.

Table 38: Acron Super Fast (Message Type 9) Printer Output

Characters	Description
ACN	Acron Super Fast format.
Lxx	Line number.
Gxx	Grouped line numbers.

3.2.2 Ademco Contact-ID (Message Type a)

Contact-ID	SIA Mode Description
Example	<LF><CRC><a><sequence#><receiver#><line#> [#aaaa 18QXYZGGCCC] <CR>

Table 39: Ademco Contact-ID (Message Type a) Byte Description

Title	Description
LF	Standard line feed character.
CRC	Cyclical redundancy check number.
Message Type	a
sequence#	The message sequence number. The valid sequence number range is 0001 to 9999.
receiver#	The receiver gateway that sent the message. Valid digits are 01 to 99 for the D6600/D6100.
line# (Line/Group #)	The line number of the line in the receiver gateway that sent the message. Valid digits are 00 to 99. The receiver uses Line 0 (zero) for internal messages.
account#	The communicator's account number has four digits.
18	Ademco Contact-ID format number.
Q	Qualifier, 1 = New event or opening, 3 = New restore or closing, 6 = Previous event.
XYZ	Class code and event code (refer to <i>Appendix A: Contact ID Event Code Classifications</i> on page 53).
GG	Group number.
CCC	Zone codes or User ID.

Figure 8: Message sent to printer

```
mm/ddshh:mmsLxxsCIDsACCTsaaaa+++sACCsa
aaasNNNsEVENT=XYZsG=GGsC=CCC
```



For lines that are grouped, Gxx appears instead of Lxx.

Table 40: Ademco Contact-ID (Message Type a) Printer Output

Characters	Description
CID	Contact-ID format.
Gxx	Grouped Line numbers.
Lxx	Line number.
NNN	If Q = 1, print E/O for new event or opening If Q = 3, print R/C for restore or closing If Q = 6, print "OLD" for old messages and events.

3.2.3 Ademco 4-1 Express (Message Type b)

4-1 Express	SIA Mode Description
Example	<LF><CRC><sequence#><receiver#><line#>[#aaaa X]<CR>

Table 41: Ademco 4-1 Express (Message Type b) Byte Description

Title	Description
LF	Standard line feed character.
CRC	Cyclical redundancy check number.
Message Type	b
sequence#	The message sequence number. The valid sequence number range is 0001 to 9999.
receiver#	The receiver gateway that sent the message. Valid digits are 01 to 99 for the D6600/D6100.
line# (Line/Group #)	The line number of the line in the receiver gateway that sent the message. Valid digits are 00 to 99. The receiver uses Line 0 (zero) for internal messages.
account#	The communicator's account number has four digits.
X	Zone number

Figure 9: Message sent to printer

mm/ddshh:mmsLxxsE41sACCTsaaaasEVENT=X



For lines that are grouped, Gxx appears instead of Lxx.

Table 42: Ademco 4-1 Express (Message Type b) Printer Output

Characters	Description
E41	Ademco 4-1 Express format.
Lxx:	Line number.
Gxx	Grouped line numbers.

3.2.4 Ademco 4-2 Express (Message Type c)

4-2 Express
Example

SIA Mode Description

<LF><CRC><c><sequence#><receiver#><line#>[#aaaa|XY]<CR>

Table 43: Ademco 4-2 Express (Message Type c) Byte Description

Title	Description
LF	Standard line feed character.
CRC	Cyclical redundancy check number.
Message Type	c
sequence#	The message sequence number. The valid sequence number range is 0001 to 9999.
receiver#	The receiver gateway that sent the message. Valid digits are 01 to 99 for the D6600/D6100.
line# (Line/Group #)	The line number of the line in the receiver gateway that sent the message. Valid digits are 00 to 99. The receiver uses Line 0 (zero) for internal messages.
account#	The communicator's account number has four digits.
XY	Event code and Zone number.

Figure 10: Message sent to printer

mm/ddshh:mmsLxxsE42sACCTsaaaaEVENT=XY



For lines that are grouped, Gxx appears instead of Lxx.

Table 44: Ademco 4-2 Express (Message Type c) Printer Output

Characters	Description
E42	Ademco 4-2 Express format.
Lxx:	Line number.
Gxx	Grouped line numbers.

3.2.5 Ademco High Speed 4-8-1, SCANCOM 4-8-1 (Message Type f)



SCANCOM 5-8-1, 6-8-1 - available upon request

High Speed Example

SIA Mode Description

<LF><CRC><f><sequence#><receiver#><line#>[#aaaaaa|CC CCsCCCCsC]<CR>

Table 45: Ademco High Speed 4-8-1, SCANCOM 4-8-1 (Message Type F) Byte Description

Title	Description
LF	Standard line feed character.
CRC	Cyclical redundancy check number.
Message Type	f
sequence#	The message sequence number. The valid sequence number range is 0001 to 9999.
receiver#	The receiver gateway that sent the message. Valid digits are 01 to 99 for the D6600/D6100.
line# (Line/Group #)	The line number of the line in the receiver gateway that sent the message. Valid digits are 00 to 99. The receiver uses Line 0 (zero) for internal messages.
account#	The communicator's account number has up to six digits.
CCCC	Channels 1 to 4.
s	One space.
CCCC	Channels 5 to 8.
s	One space.
C	Supervisory channel.

Figure 11: Message sent to printer

```
mm/ddshh:mmsLxxsHGHSACCTsaaaaa+++sACC
saaaaasCCCCsCCCCsC
```



For lines that are grouped, Gxx appears instead of Lxx.

Table 46: Ademco High Speed, 4-8-1 (Message Type f) Printer Output

Characters	Description
HGH	Ademco High Speed format.
Lxx:	Line number.
Gxx	Grouped line numbers.

3.2.6 ADT SIA (Message Type <TAB>)

ADT SIA Example	SIA Mode Description
	<LF><CRC><TAB><sequence#><receiver#><line#> [#aaaa <E><damm-dd-yytiah:mm:ss>data] <CR>

Table 47: ADT SIA (Message Type <TAB>) Byte Description

Title	Description
LF	Standard line feed character.
CRC	Cyclical redundancy check number.
Message Type	09 hex <TAB>.
sequence#	The message sequence number. The valid sequence number range is 0001 to 9999.
receiver#	The receiver gateway that sent the message. Valid digits are 01 to 99 for D6600/D6100.
line# (Line/Group #)	The line number of the line in the receiver gateway that sent the message. Valid digits are 00 to 99. The receiver uses Line 0 (zero) for internal messages.
account#	The communicator's account number up to sixteen digits.
E	Event Code (refer to <i>Appendix G ADT SIA Report Codes</i> on page 149).
damm-dd-yytiah:mm:ss	Date and time.
Data	This field contains message data codes such as event type, area number, point number, identification number.

3.2.7 Caller ID (Message Type <TAB>)

SIA Example	SIA Mode Description
	<LF><CRC><TAB><sequence#><receiver#><line#> [&TTTTTTTTTTTTTTTT] <CR>

Table 48: Caller ID (Message Type <TAB>) Byte Description

Title	Description
LF	Standard line feed character.
CRC	Cyclical Redundancy Check number.
Message Type	<TAB>
sequence#	The message sequence number. The valid sequence number range is 0001 to 9999.
receiver#	The receiver gateway that sent the message. Valid digits are 01 to 99 for the D6600/D6100.
line# (Line/Group #)	The line number of the line in the receiver gateway that sent the message. Valid digits are 00 to 99. The receiver uses Line 0 (zero) for internal messages.
&	Origin ID Block.
T	Up to 16-digit Caller ID.

3.2.8 CFSK (Message Type I)

CFSK Example	SIA Mode Description
	<LF><CRC><I><sequence#><Receiver#><line#> [#aaaaaa TTEE] <CR>

Table 49: CFSK (Message Type I) Byte Description

Title	Description
LF	Standard line feed character.
CRC	Cyclical redundancy check number.
Message Type	I (Capital I).
sequence#	The message sequence number. The valid sequence number range is 0001 to 9999.
receiver#	The receiver gateway that sent the message. Valid digits are 01 to 99 for the D6600/D6100.
line# (Line/Group #)	The line number of the line in the receiver gateway that sent the message. Valid digits are 00 to 99. The receiver uses Line 0 (zero) for internal messages.
account #	The communicator's account number, up to six digits.
TT	Event code.
EE	Zone/User ID.

3.2.9 Common Formats (Message Type <TAB>)

Defined Messages

SIA Example	SIA Mode Description
	<LF><CRC><TAB><sequence#><receiver#><line#> [#aaaaaaaaaaaaaaaa data] <CR>

Table 50: Common Formats (Message Type <TAB>) Byte Description

Title	Description
LF	Standard line feed character.
CRC	Cyclical Redundancy Check number.
Message Type	09 hex <TAB>
sequence#	The message sequence number. The valid sequence number range is 0001 to 9999.
receiver#	The receiver gateway that sent the message. Valid digits are 01 to 99 for the D6600/D6100.
line# (Line/Group #)	The line number of the line in the receiver gateway that sent the message. Valid digits are 00 to 99. The receiver uses Line 0 (zero) for internal messages.
account#	The communicator's account number up to sixteen digits.
Data	This field contains message data codes such as event type, area number, point number, identification number, and so on.

The receiver gateway sends the 3-1, 4-1, 4-2, single round, double round, extended pulse formats, BFSK, Modem II or Modem IId messages in either D6500 Mode or SIA Mode, depending on the program option selected. The receiver gateway also sends internal and Modem IIIa² messages in either D6500 mode or SIA mode, depending on the programmable option selected. Refer to *Appendix B: Internal Messages* on page 58 and *Appendix C: Modem IIIa2 Messages* on page 61 for a list of the messages and their descriptions.

Figure 12: Message sent to printer

MM/DDsHH:MMsLxxSIA ACCT aaaa +++ TEXT 1 +++ TEXT 2
--

Undefined Messages

When a common format message contains unprintable hex characters (unprintable characters are out of ASCII range 0x32-0x7E) or without an account block:

SIA Example

SIA Mode Description

```
<LF><CRC><TAB><sequence#><receiver#><line#> [data] <CR>
```

Table 51: Common Formats (Message Type <TAB>) Byte Description

Title	Description
LF	Standard line feed character.
CRC	Cyclical Redundancy Check number.
Message Type	09 hex.
sequence#	The message sequence number. The valid sequence number range is 0001 to 9999.
receiver#	The receiver gateway that sent the message. Valid digits are 01 to 99 for the D6600/D6100.
line# (Line/Group #)	The line number of the line in the receiver gateway that sent the message. Valid digits are 00 to 99. The D6600 uses Line 0 (zero) for receiver gateway messages.
Data	The receiver message contains hex characters either with or without account portion.

Figure 13: Message sent to printer

```
MM/DDsHH:MMsLxx [SIA]
+++ TEXT 1
+++ TEXT 2
```

3.2.10 DNIS/ANI (Message Type N)

SIA Example

SIA Mode Description

```
<LF><CRC><N><sequence#><receiver#><line#> [#0000 | Ddddddddddd&aaaaaaaaa]
<CR>
```

Table 52: DNIS/ANI (Message Type N) Byte Description

Title	Description
LF	Standard line feed character.
CRC	Cyclical redundancy check number.
Message Type	N
sequence#	The message sequence number. The valid sequence number range is 0001 to 9999.
receiver#	The receiver gateway that sent the message. Valid digits are 01 to 99 for the D6600/D6100.
line# (Line/Group #)	The line number of the line in the receiver gateway that sent the message. Valid digits are 00 to 99. The receiver uses Line 0 (zero) for internal messages.
account#	Fixed at 0000.
D	DNIS identified.
DNIS number (d)	DNIS number, up to 11 digits.
ANI identifier (&)	ANI identifier.
ANI number (a)	ANI number, up to 11 digit.s

Figure 14: Message sent to printer

```
MM/DDsHH:MMsLxxsDNISsdddddddddd+++sAN
Isaaaaaaaaa
```

3.2.11 DSC 4-3 (Message Type d)

DSC4-3 Example

SIA Mode Description

<LF><CRC><d><sequence#><receiver#><line#>[#aaaa|XYY]<CR>

Table 53: DSC 4-3 (Message Type d) Byte Description

Title	Description
LF	Standard line feed character.
CRC	Cyclical redundancy check number.
Message Type	d
sequence#	The message sequence number. The valid sequence number range is 0001 to 9999.
receiver#	The receiver gateway that sent the message. Valid digits are 01 to 99 for the D6600/D6100.
line# (Line/Group #)	The line number of the line in the receiver gateway that sent the message. Valid digits are 00 to 99. The receiver uses Line 0 (zero) for internal messages.
account#	The communicator's account number has four digits.
X	Event code number.
YY	Zone number.

Figure 15: Message sent to printer

```
mm/ddshh:mmsLxxsDSGsACCTsaaaaEVENT=XY
Y+++sACCsaaaaeEEEEEEesiisnnn
```



For lines that are grouped, Gxx appears instead of Lxx.

Table 54: DSC 4-3 (Message Type d) Printer Output

Characters	Description
DSG	DSC/Sur-Gard 4-3 format.
Lxx:	Line number.
Gxx	Grouped line numbers.

Table 55: Event Code Table

Code Number	Message	Event Characters
1	Alarm	A
2		A
3		A
4	Close	C
5	Open	O
6	Alarm	A
7		A
8		A
9	Restore	R
0	Trouble	T
B	CloseGrp	C
C	OpenGrp	O
D	Bypass	B
E	UnBypass	H
F	Cancel	O

Table 56: Printer Output Codes

Characters	Description
ii	ZN=Zone number - ID=User ID
nnn	Zone/User number.
eeeeeeee	Up to eight-character event type, right justified – ALARM, RESTORE, TROUBLE, OPEN, OPENGRP, CLOSE, CLOSEGRP, BYPASS, UN BYPASS, CANCEL.

3.2.12 FBI Super Fast (Message Type F)

FBI Super Fast Example

SIA Mode Description

<LF><CRC><F><sequence#><receiver#><line#> [#aaaa | TZZE] <CR>

Table 57: FBI Super Fast (Message Type F) Byte Description

Title	Description
LF	Standard line feed character.
CRC	Cyclical redundancy check number.
Message Type	F
sequence#	The message sequence number. The valid sequence number range is 0001 to 9999.
receiver#	The receiver gateway that sent the message. Valid digits are 01 to 99 for the D6600/D6100.
line# (Line/Group #)	The line number of the line in the receiver gateway that sent the message. Valid digits are 00 to 99. The receiver uses Line 0 (zero) for internal messages.
account#	The communicator's account number has four digits.
T	Zone type.
ZZ	Zone number.
E	Event type.

Figure 16: Message sent to printer

```
mm/ddshh:mmsLxxsFBI sACCTsaaaa sTZZE+++s
ACCsaaaasttttttttttseeeeeeesiisnnn
```



For lines that are grouped, Gxx appears instead of Lxx.

Table 58: FBI Super Fast (Message Type F) Printer Output

Characters	Description
FBI	FBI Super Fast format.
Lxx:	Line number.
Gxx	Grouped line numbers.

Table 59: Event Code Table

Code	Zone/Event Type
1	Fire
2	Panic
3	Burglary
4	Medical
5	Auxiliary
6	Bypass
7	Inactive
8	Eight
9	Nine
0	Zero
B	Opening
C	Closing
D	Abort
E	Restore
F	Trouble

Table 60: Printer Output Codes

Characters	Description
ii	ZN=Zone number - ID=User ID
nnn	Zone/User number.
ttttttt	Up to nine-character zone type, right justified FIRE, PANIC, BURGLARY, MEDICAL, AUXILIARY.
eeeeeeee	Up to eight-character event type, left justified ALARM, RESTORE, TROUBLE, OPEN, OPENGRP, CLOSE, CLOSEGRP, BYPASS, UN BYPASS, CANCEL.

3.2.13 ITI (Message Type I)

ITI Example	SIA Mode Description
	<LF><CRC><I><sequence#><receiver#><line#> [#aaaaa GIZZEWN] <CR>

Table 61: ITI (Message Type I) Byte Description

Title	Description
LF	Standard line feed character.
CRC	Cyclical redundancy check number.
Message Type	I (Captial I).
sequence#	The message sequence number. The valid sequence number range is 0001 to 9999.
receiver#	The receiver gateway that sent the message. Valid digits are 01 to 99 for the D6600/D6100.
line# (Line/Group #)	The line number of the line in the receiver gateway that sent the message. Valid digits are 00 to 99. The receiver uses Line 0 (zero) for internal messages.
account#	The communicator's account number has up to six digits.
G	Group number.
I	O/C User ID.
ZZ	Zone number.
E	Condition code.
W	Protection level was.
N	Protection level now.

3.2.14 Link Test (Message Type <TAB>)

Link Test Example	SIA Mode Description
	<LF><CRC><TAB><sequence#><receiver#> [] <CR>

The D6600/D6100 can automatically generate this message at the preprogrammed intervals.

Table 62: Link Test (Message Type <TAB>) Description

Title	Description
LF	Standard line feed character.
CRC	Cyclical redundancy check number.
Message Type	<TAB>
sequence#	The message sequence number. The valid sequence number range is 0001 to 9999.
receiver#	The receiver gateway that sent the message. Valid digits are 01 to 99 for the D6600/D6100.

3.2.15 RB2000 (Message Type R) Description

RB2000 Example

SIA Mode Description

<LF><CRC><R><sequence#><receiver#><line#> [<VDS message>] <CR>

Table 63: RB2000 (Message Type R) Byte Description

Title	Description
LF	Standard line feed character, hex 0A.
CRC	Cyclical redundancy check number.
R	ASCII R, Message Type R for RB2000 format.
sequence#	The message sequence number. The valid sequence number range: 0001 to 9999.
Receiver#	The receiver gateway that sent the message. Valid digits: 01 to 99 for the D6600/D6100.
line#	The line number of the line in the receiver gateway that sent the message. Valid digits: 00 to 99. The receiver uses Line 0 (zero) for internal messages.
<VDS message>	VDS message sent as a hex string, the receiver extracts the alarm type.
CR	Hex 0D

Figure 17: Single message sent to Printer

```
MM/DD HH:MM Lxx RB2 ACCT xxxxxxxxxxxxxx
+++ RB2000_EVENT_RAW_DATA
```

Figure 18: Multiple messages sent to printer

```
MM/DD HH:MM Lxx RB2 ACCT xxxxxxxxxxxxxx
+++ RB2000_EVENT_RAW_DATA 1
+++ RB2000_EVENT_RAW_DATA 2
...
+++ RB2000_EVENT_RAW_DATA n
```

Table 64: RB2000 (Message Type R) Printer Output

Characters	Description
MM/DDsHH:MM	Date and time.
RB2	RB2000 format.
Lxx	Line number.
ACCT xxxxxxxxxxxx	Subscriber number, up to 12 characters(hex).
RB2000_EVENT_RAW_DATA	The raw data of RB2000 event.
RB2000_EVENT_RAW_DATA1	The raw data of RB2000 event 1.
RB2000_EVENT_RAW_DATA 2	The raw data of RB2000 event 2.
RB2000_EVENT_RAW_DATA n	The raw data of RB2000 event n.

3.2.16 Robofon (Message Type j)

Robofon Example	SIA Mode Description
	<LF><CRC><j><sequence#><receiver#><line#> [#aaaaaa EE] <CR>

Table 65: Robofon (Message Type j) Byte Description	
Title	Description
LF	Standard line feed character.
CRC	Cyclical redundancy check number.
Message Type	j
sequence#	The message sequence number. The valid sequence number range is 0001 to 9999.
receiver#	The receiver gateway that sent the message. Valid digits are 01 to 99 for D6600/D6100.
line# (Line/Group #)	The line number of the line in the receiver gateway that sent the message. Valid digits are 00 to 99. The receiver uses Line 0 (zero) for internal messages.
account #	The communicator's account number has up to six digits.
EE	Event code.

3.2.17 Scancom 4-16-1, 5-16-1, 6-16-1 - Available Upon Request (Message Type g)

4-16-1 Example	SIA Mode Description
	<LF><CRC><g><sequence#><receiver#><line#> [#aaaaaa CCCCsCCCCsCCCCsCCCCsC] <CR>

Table 66: Scancom 4-16-1, 5-16-1, 6-16-1 - Available Upon Request (Message Type g) Byte Description	
Title	Description
LF	Standard line feed character.
CRC	Cyclical redundancy check number.
Message Type	g
sequence#	The message sequence number. The valid sequence number range is 0001 to 9999.
receiver#	The receiver gateway that sent the message. Valid digits are 01 to 99 for D6600/D6100.
line# (Line/Group #)	The line number of the line in the receiver gateway that sent the message. Valid digits are 00 to 99. The receiver uses Line 0 (zero) for internal messages.
Account#	The communicator's account number has up to six digits.
CCCC	Channels 1 to 4.
s	One space.
CCCC	Channels 5 to 8.
s	One space.
CCCC	Channels 9 to 12.
s	One space.
CCCC	Channels 13 to 16.
s	One space.
C	Supervisory channel.

Figure 19: Message sent to printer

```
mm/ddshh:mmsLxxsSCNsACCTsaaaaa+++sACC
saaaaasCCCCsCCCCsCCCCsCCCCsC
```



For lines that are grouped, Gxx appears instead of Lxx.

Table 67: Scancom 4-16-1, 5-16-1, 6-16-1 - Available Upon Request (Message Type g) Printer Output

Characters	Description
SCN	Scancom.
Lxx:	Line number.
Gxx	Grouped line numbers.

3.2.18 Scancom 4-24-1, 5-24-1, 6-24-1 - Available Upon Request (Message Type h)

4-24-1 Example

SIA Mode Description

```
<LF><CRC><h><sequence#><receiver#><line#>[#aaaaa|CCCCsCCCCs
CCCCs CCCCsCCCCsCCCCsC]<CR>
```

Table 68: Scancom 4-24-1, 5-24-1, 6-24-1 - Available Upon Request (Message Type h) Byte Description

Title	Description
LF	Standard line feed character.
CRC	Cyclical redundancy check number.
Message Type	h
sequence#	The message sequence number. The valid sequence number range is 0001 to 9999.
receiver#	The receiver gateway that sent the message. Valid digits are 01 to 99 for D6600/D6100.
line# (Line/Group #)	The line number of the line in the receiver gateway that sent the message. Valid digits are 00 to 99. The receiver uses Line 0 (zero) for internal messages.
account#	The communicator's account number, up to six digits.
CCCC	Channels 1 to 4.
s	One space.
CCCC	Channels 5 to 8.
s	One space.
CCCC	Channels 9 to 12.
s	One space.
CCCC	Channels 13 to 16.
s	One space.
CCCC	Channels 17 to 20.
s	One space.
CCCC	Channels 21 to 24.
s	One space.
C	Supervisory channel.

Figure 20: Message sent to printer

```
mm/ddshh:mmsLxxsSCNsACCTsaaaaa
+++sACCsaaaaasCCCCsCCCCsCCCCsCCCC
+++++++CCCCsCCCCsC
```



For lines that are grouped, Gxx appears instead of Lxx.

Table 69: Scancom 4-24-1, 5-24-1, 6-24-1 - Available Upon Request (Message Type h) Printer Output

Characters	Description
SCN	Scancom.
Lxx:	Line number.
Gxx	Grouped line numbers.

3.2.19 Seriee DTMF (Message Type l)

Seriee DTMF	SIA Mode Description
Example	<LF><CRC><l><sequence#><receiver#><line#> [#aaaa *data] <CR>

Table 70: Seriee DTMF (Message Type l) Byte Description

Title	Description
LF	Standard line feed character.
CRC	Cyclical redundancy check number.
Message Type	l (lowercase L).
sequence#	The message sequence number. The valid sequence number range is 0001 to 9999.
receiver#	The receiver gateway that sent the message. Valid digits are 01 to 99 for D6600/D6100.
line# (Line/Group #)	The line number of the line in the receiver gateway that sent the message. Valid digits are 00 to 99. The receiver uses Line 0 (zero) for internal messages.
account #	The communicator's account number has four digits.
*	Data separator.
Data	DTMF Seriee Data.

3.2.20 Seriee FSK (Message Type k)

Seriee FSK	SIA Mode Description
Example	<LF><CRC><k><sequence#><receiver#><line#> [#aaaaa EZZ] <CR>

Table 71: Seriee FSK (Message Type k) Byte Description

Title	Description
LF	Standard line feed character.
CRC	Cyclical redundancy check number.
Message Type	k
sequence#	The message sequence number. The valid sequence number range is 0001 to 9999.
receiver#	The receiver gateway that sent the message. Valid digits are 01 to 99 for D6600/D6100.
line# (Line/Group #)	The line number of the line in the receiver gateway that sent the message. Valid digits are 00 to 99. The receiver uses Line 0 (zero) for internal messages.
Account #	The communicator's account number has up to six digits.
E	Event code.
ZZ	Zone number.

3.2.21 Sescoa Super Speed (Message Type 7)

Sescoa Super Speed Example	SIA Mode Description

Table 72: Sescoa Super Speed (Message Type 7) Byte Description

Title	Description
LF	Standard line feed character.
CRC	Cyclical redundancy check number.
Message Type	7
sequence#	The message sequence number. The valid sequence number range is 0001 to 9999.
receiver#	The receiver gateway that sent the message. Valid digits are 01 to 99 for D6600/D6100.
line# (Line/Group #)	The line number of the line in the receiver gateway that sent the message. Valid digits are 00 to 99. The receiver uses Line 0 (zero) for internal messages.
account#	The communicator's account number has four digits.
I	Event code.
AA	Two- digit zone code or the first two digits user code.
C	Space if zone report, or the last digit user code.

Figure 21: Message sent to printer

```
mm/ddshh : mmsLxxSESsACCTsaaaa
+++sACCsaaaaasEEEseeeeeeeeeeeeeee
```



For lines that are grouped, Gxx appears instead of Lxx.

Table 73: Sescoa Super Speed (Message Type 7) Printer Output

Characters	Description
SES	SESCOA Super Speed format.
Lxx	Line number.
Gxx	Grouped line numbers.
aaaa	Account code.
EEE	SESCOA Super Speed format event.
eeeeeeeeeeeeee	Up to 14-characters of event description.

3.2.22 Silent Knight FSK0 (Message Type <TAB>)

Silent Knight FSK0 Example	SIA Mode Description
	<LF><CRC><TAB><sequence#><receiver#><line#>[#aaaa data]<CR>

Table 74: Silent Knight FSK0 (Message Type <TAB>) Byte Description

Title	Description
LF	Standard line feed character.
CRC	Cyclical redundancy check number.
Message Type	<TAB>
sequence#	The message sequence number. The valid sequence number range is 0001 to 9999.
receiver#	The receiver gateway that sent the message. Valid digits: 01 to 99 for D6600/D6100.
line# (Line/Group #)	The line number of the line in the receiver gateway that sent the message. Valid digits: 00 to 99. The receiver uses Line 0 (zero) for internal messages.
account #	The communicator's account number has four digits.
Data	Data.

3.2.23 Silent Knight FSK1 (Message Type m)

Silent Knight FSK1 Example	SIA Mode Description
	<LF><CRC><m><sequence#><receiver#><line#>[#aaaa EEZZ"ECZZ"EEZZ"EEZZ"EEZZ"EEZZ"EEZZ"EEZZ]<CR>

Table 75: Silent Knight FSK1 (Message Type m) Byte Description

Title	Description
LF	Standard line feed character.
CRC	Cyclical redundancy check number.
Message Type	m
sequence#	The message sequence number. The valid sequence number range is 0001 to 9999.
receiver#	The receiver gateway that sent the message. Valid digits: 01 to 99 for D6600/D6100.
line# (Line/Group #)	The line number of the line in the receiver gateway that sent the message. Valid digits: 00 to 99. The receiver uses Line 0 (zero) for internal messages.
account #	The communicator's account number has four digits.
EEZZ"EEZZ"EEZZ"EEZZ"EEZZ"EEZZ"EEZZ"EEZZ	Up to eight reports. One report has four digits: one-digit event code, one-digit condition code, and two-digit zone code. The quote (") is the separation character.

Optional Silent Knight FSK1 (Message Type m)



If Menu Item 2.5.16 in the D6600/D6100 Receiver is equal to 1, the following output is used.

Silent Knight FSK1 Example

SIA Mode Description

```
<LF><CRC><m><sequence#><receiver#><line#> [#aaaa | ZZ"ZZ"ZZ"ZZ"ZZ"ZZ"ZZ"ZZ] <CR>
```

Table 76: Optional Silent Knight FSK1 (Message Type m) Byte Description

Title	Description
LF	Standard line feed character.
CRC	Cyclical redundancy check number.
Message Type	m
sequence#	The message sequence number. The valid sequence number range is 0001 to 9999.
receiver#	The receiver gateway that sent the message. Valid digits: 01 to 99 for D6600/D6100.
line# (Line/Group #)	The line number of the line in the receiver gateway that sent the message. Valid digits: 00 to 99. The receiver uses Line 0 (zero) for internal messages.
account #	The communicator's account number has four digits.
ZZ"ZZ"ZZ"ZZ"ZZ"ZZ"ZZ"Z	Up to eight reports. One report has two digits. The quote (") is the separate character.

Table 77: Silent Knight FSK1 Optional Outputs

Report Code	Description	To Automation		Note
		2 5 16 = 0(EZZ)	2 5 16 = 1(ZZ)	
00	Alarm Panic	PAss	00	
01 to 08	Alarm 01 to 08	sA0x	01 to 08	x = 1 to 8
09	Holdup	HAss	09	
10 to 19	Alarm 10 to 19	sA1x	10 to 19	x = 0 to 9
20 to 29	Alarm Restore 10 to 19	sH1x	20 to 29	x = 0 to 9
30	Test Code	sXss	30	
31	Trouble Line 1	LT01	31	
32	Trouble Line 2	LT02	32	
33	Expand Trouble	ETss	33	
34	Forced Access	DFss	34	
35	Restore Line 1	LR01	35	
36	Restore Line 2	LR02	36	
37	Expand Restore	ERss	37	
38	Cancel Code	OCss	38	
39	Data Lost	RTss	39	
40	Closing	CL00	40	
41 to 49	Closing 01 to 09	CL0x	41 to 49	x = 1 to 9
50 to 59	Bypass 10 to 19	sB1x	50 to 59	x = 0 to 9
60	Trouble AC	ATss	60	
61 to 68	Trouble 01 to 08	sT0x	61 to 68	x = 1 to 8
69	Trouble BAT	YTss	69	
70	Restore AC	ARss	70	
71 to 78	Restore 01 to 08	sRss	71 to 78	
79	Restore BAT	YRss	79	
80	Access	DS00	80	
81 to 89	Access 01 to 09	DG0x	80 to 89	x = 1 to 9

Table 77: Silent Knight FSK1 Optional Outputs (continued)

Report Code	Description	To Automation		Note
90	Opening	OP00	90	
91 to 99	Opening 01 to 09	OP0x	91 to 99	

3.2.24 Silent Knight FSK2 (Message Type m)

Silent Knight FSK2 Example

SIA Mode Description

```
<LF><CRC><m><sequence#><receiver#><line#>[#aaaaaa |
EEZZ" ECZZ" EEZZ" EEZZ" EEZZ" EEZZ" EEZZ" EEZZ] <CR>
```

Table 78: Silent Knight FSK2 (Message Type m) Byte Description

Title	Description
LF	Standard line feed character.
CRC	Cyclical redundancy check number.
Message Type	m
sequence#	The message sequence number. The valid sequence number range is 0001 to 9999.
receiver#	The receiver gateway that sent the message. Valid digits: 01 to 99 for D6600/D6100.
line# (Line/Group #)	The line number of the line in the receiver gateway that sent the message. Valid digits: 00 to 99. The receiver uses Line 0 (zero) for internal messages.
account #	The communicator's account number has up to six digits.
EEZZ" EEZZ" EEZZ" EEZZ" EEZZ" EEZZ" EEZZ" EEZZ	Up to eight reports. One report has four digits: one-digit event code, one-digit condition code, and two-digit zone code. The quote (") is the separation character.

3.2.25 Silent Knight FSK80 (Message Type E)

Silent Knight FSK80 Example	SIA Mode Description
	<LF><CRC><E><sequence#><receiver#><line#> [#AAAA NBAXY] <CR>

Table 79: Silent Knight FSK80 (Message Type E) Byte Description

Title	Description
LF	Standard line feed character.
CRC	Cyclical redundancy check number.
Message Type	E
sequence#	The message sequence number. The valid sequence number range is 0001 to 9999.
receiver#	The receiver gateway that sent the message. Valid digits: 01 to 99 for D6600/D6100.
line# (Line/Group #)	The line number of the line in the receiver gateway that sent the message. Valid digits: 00 to 99. The receiver uses Line 0 (zero) for internal messages.
account #	The communicator's account number has four digits.
NBA	Alarm event

Figure 22: Message sent to printer

```
MM/DDsHH:MMsLxxsSFKsACCTsAAAA
+++ACCTsAAAAAsALARM_ZNs1
+++ACCTsAAAAAsALARM_ZNs2
+++ACCTsAAAAAsALARM_ZNs3
+++ACCTsAAAAAsALARM_ZNs4
+++ACCTsAAAAAsALARM_ZNs5
+++ACCTsAAAAAsALARM_ZNs7
+++ACCTsAAAAAsALARM_ZNs8
+++ACCTsAAAAAsALARM_ZNs9
```

Table 80: Silent Knight FSK80 Printer/LCD output

Characters	Description
MM/DDsHH:MM	Date and time.
SFK	SFSK80 format.
Lxx	Line number.
AAAA	The communicator's account number has four digits.
s	Space.

3.2.26 Telim (Message Type n)

Telim Example	SIA Mode Description
	<LF><CRC><n><sequence#><receiver#><line#> [#aaaaa EETTZZZZZZZZZZZZZZZZZZZZ] <CR>

Table 81: Telim (Message Type n) Byte Description	
Title	Description
LF	Standard line feed character.
CRC	Cyclical redundancy check number.
Message Type	n
sequence#	The message sequence number. The valid sequence number range is 0001 to 9999.
receiver#	The receiver gateway that sent the message. Valid digits: 01 to 99 for D6600/D6100.
line# (Line/Group #)	The line number of the line in the receiver gateway that sent the message. Valid digits: 00 to 99. The receiver uses Line 0 (zero) for internal messages.
account #	The communicator's account number has up to six digits.
EETTZZZZZZZZZZZZZZZZZZZZ	The event type and input line number.

3.2.27 Varitech FSK 4-1 (Message Type <TAB>)

Varitech FSK 4-1 Example	SIA Mode Description
	<LF><CRC><TAB><sequence#><receiver#><line#> [#aaaa data] <CR>

Table 82: Varitech FSK 4-1 (Message Type <TAB>) Byte Description	
Title	Description
LF	Standard line feed character.
CRC	Cyclical redundancy check number.
Message Type	<TAB>
sequence#	The message sequence number. The valid sequence number range is 0001 to 9999.
receiver#	The receiver gateway that sent the message. Valid digits: 01 to 99 for D6600/D6100.
line# (Line/Group #)	The line number of the line in the receiver gateway that sent the message. Valid digits: 00 to 99. The receiver uses Line 0 (zero) for internal messages.
account#	The communicator's account number has four digits.
data	The event type and 1-digit zone number.

3.2.28 Varitech FSK 4-2 (Message Type <TAB>)

Varitech FSK 4-2

SIA Mode Description

Example

<LF><CRC><TAB><sequence#><receiver#><line#>[#aaaa|data]<CR>

Table 83: Varitech FSK 4-2 (Message Type <TAB>) Byte Description

Title	Description
LF	Standard line feed character.
CRC	Cyclical redundancy check number.
Message	<TAB>
sequence#	The message sequence number. The valid sequence number range is 0001 to 9999.
receiver#	The receiver gateway that sent the message. Valid digits: 01 to 99 for D6600/D6100.
line# (Line/Group #)	The line number of the line in the receiver gateway that sent the message. Valid digits: 00 to 99. The receiver uses Line 0 (zero) for internal messages.
account #	The communicator's account number has four digits.
data	The event type and two-digit zone number.

3.2.29 VONK (Message Type V)

VONK Example

SIA Mode Description

<LF><CRC><V><sequence#><receiver#><line#>[#aa|123456789ABCDEFG] <CR>

Table 84: VONK (Message Type V) Byte Description

Title	Description
LF	Standard line feed character.
CRC	Cyclical redundancy check number.
Message Type	V
sequence#	The message sequence number. The valid sequence number range is 0001 to 9999.
receiver#	The receiver gateway that sent the message. Valid digits: 01 to 99 for D6600/D6100.
line# (Line/Group #)	The line number of the line in the receiver gateway that sent the message. Valid digits: 00 to 99. The receiver uses Line 0 (zero) for internal messages.
account #	The communicator's account number has two digits.
Data	Status of zones 1 to 16. If the zone is closed, a "." (Period) appears in this position. If the zone is open, any digit from 1 to G appears in this position.

3.2.30 X-SIA text (Message Type <TAB>)

X-SIA Example

SIA Mode Description

```
<LF><CRC><TAB><sequence#><receiver#><line#> [#aaaa | EMMZZZ* 'TTTTTTTTTTTTT'
NM/ ***] <CR>
```

Table 85: X-SIA text (Message Type <TAB>) Byte Description

Title	Description
LF	Standard line feed character.
CRC	Cyclical redundancy check number.
Message Type	<TAB>
sequence#	The message sequence number. The valid sequence number range is 0001 to 9999.
receiver#	The receiver gateway that sent the message. Valid digits: 01 to 99 for D6600/D6100.
line# (Line/Group #)	The line number of the line in the receiver gateway that sent the message. Valid digits: 00 to 99. The receiver uses Line 0 (zero) for internal messages.
account #	The communicator's account number has up to 16 digits.
E	SIA block code.
MM	SIA event code.
ZZZZ	Zone number.
*	Text identifier.
'	Single quote.
TT...TTT	13 character text string.
'	Single quote.
NM	Unit field characters.
/	Separator.
***	Next data.

Figure 23: Message sent to printer

```
MM/DDsHH:MMsLxxsSIAsACCTsAAAA+++sEMMZ
ZZ* 'TTTTTTTTTTTTT'NM+++sEMMZ* 'TTTT
TTTTTTTT'NM
```

Table 86: X-SIA Printer/LCD output

Characters	Description
MM/DDsHH:MM	Date and time.
Lxx	Line number.
SIA	SIA format.
AAAA	Account code.
E	SIA block code.
MM	SIA event code.
ZZZZ	Zone number.
*	Text identifier.
'	Single quote.
TTT...T	13 character text string.
'	Single quote.
NM	Unit field characters.

3.2.31 SafeCom (Message Type p)

SafeCom
Example

SIA Mode Description	
	<LF><CRC><p><sequence#><receiver#><line#> [#aaaa EEEEdata] <CR>

Table 87: SafeCom (Message Type p) Byte Description

Title	Description
LF	Standard line feed character.
CRC	Cyclical redundancy check number.
Message	p
sequence#	The message sequence number. The valid sequence number range is 0001 to 9999.
receiver#	The receiver gateway that sent the message. Valid digits: 01 to 99 for D6600.
line#	The line number of the line in the receiver gateway that sent the message. Valid digits: 00 to 99. The receiver uses Line 0 (zero) for internal messages.
account #	The communicator's account number has four digits.
EEEE	Event code, four digits.
data	Event code parameter data.

3.3 Input Command Processing

Input devices, such as automation systems, send the commands described in *Table 88* to the receiver. If the receiver does not recognize a command, it generates a REJECT COMMAND message, prints at connected printers, and sends an ASCII text message to the automation port.



The CPU programming in Menu Item 2.2.4 of the D6600/D6100 Receiver must be set to 1 to use input commands.

Table 88: ASCII Text Message to Automation Port

Set Time	<p>The automation system, or other device, sends the command shown below to set the time at the D6600/D6100 if the D6600/D6100 is programmed to synchronize the time and date with the automation system.</p> <p>D6650 !Thhmm<CR> Mode:</p> <p>SIA <seq><rec><line>[CSThmm] Mode: m] <CR> hh - hours (24 hour format) mm - minutes.</p>
Set Date	<p>The automation system, or other device, sends the command shown below to set the date at the D6600/D6100 if the D6600/D6100 is programmed to synchronize the time and date with the automation system.</p> <p>D6650 !Dmddy<CR> Mode:</p> <p>SIA <seq><rec><line>[CSDmmd Mode: dyy] <CR> mm - month, dd - day, yy - year</p>
Stop Two Way Audio	<p>The automation system, or other device, sends the command shown below to stop a two way audio session on the line specified.</p> <p>D6650 !Kn<CR> Mode:</p> <p>SIA <seq><rec><line>[CLKnn] Mode: <CR> nn - line card number, 01-32.</p>
Reject Command	<p>D6650 h3rrlsREJECTsCOMMANDsst Mode:</p> <p>SIA <LF><CRC><TAB><sequence Mode: #><receiver#><line#>[RE JECT COMMAND] <CR></p>

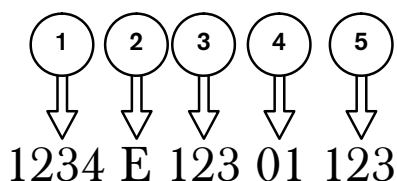
Table 89 shows the D6500 and SIA automation output formats for these input commands.

Table 89: Input Command Output Messages

	D6500 Mode	SIA Mode	Printer Output
Set Time	h1rrsssss sssssXss2 t	[NJT]	TIME SET
Set Date	h1rrsssss sssssXss5 1t	[NJD]	DATE SET
Stop Two Way Audio	h1rrsssss sssssXss5 2t	[CLK]	TWO WAY AUDIO STOP STOP

Appendix A: Contact ID Event Code Classifications

Figure 24: Contact ID format



- 1 - Customer (Subscriber Account Number)
 - 2 - Event Qualifier - E = New Event, R = Restore
 - 3 - Event Code - refer to Section A1 Event Codes
 - 4 - Partition Number, 00 to 08 (always 00 for non-partitioned panels)
 - 5 - Zone ID number* - reporting the alarm (001 to 999) or user number for open or close reports.
- * System status messages, such as AC Loss and Low Battery, are Zone ID 000.

Table 90: Event Codes

#	Event Type	Zone
Medical:		
100	Medical	Emerg-Personal Emergency-#
101	Pendant Transmitter	Emerg-Personal Emergency-#
102	Fail to report in	Emerg-Fail to check in-#
Fire Alarms:		
110	Fire	Fire-Fire Alarm-#
111	Smoke w/Verification	Fire-Fire Alarm-#
112	Combustion	Fire-Combustion-#
113	Waterflow	Fire-Water Flow-#
114	Heat	Fire-Heat Sensor-#
115	Pull Station	Fire-Pull Station-#
116	Duct	Fire-Duct Sensor-#
117	Flame	Fire-Flame Sensor-#
118	Near Alarm	Fire-Near Alarm-#
Panic Alarms:		
120	Panic Alarm	Panic-Panic-#
121	Duress	Panic-Duress-User #
122	Silent	Panic-Silent Panic-#
123	Audible	Panic-Audible Panic-#
124	Duress-Access Granted	Panic-Duress Access Grant-#
125	Duress-Egress Granted	Panic-Duress Egress Grant-#

Table 90: Event Codes (continued)

#	Event Type	Zone
Burglar Alarms:		
130	Burglary	Burg-Burglary-#
131	Perimeter	Burg-Perimeter-#
132	Interior	Burg-Interior-#
133	24 HR Burg (Aux)	Burg-24 Hour-#
134	Entry/Exit	Burg-Entry/Exit-#
135	Day/Night	Burg-Day/Night-#
136	Outdoor	Burg-Outdoor-#
137	Tamper	Burg-Tamper-#
138	Near Alarm	Burg-Near Alarm-#
139	Intrusion Verifier	Burg-Intrusion Verifier-#
General Alarms:		
140	General Alarm	Alarm-General Alarm-#
141	Polling Loop Open	Alarm-Polling Loop Open
142	Polling Loop Short (AL)	Alarm-Polling Loop Short
143	Expansion Mod Failure	Alarm-Exp. Module Tamper-#
144	Sensor Tamper	Alarm-Sensor Tamper-#
145	Expansion Module Tamper	Alarm-Exp. Module Tamper-#
146	Silent Burg	Alarm-Silent Burglary-#

Table 90: Event Codes (continued)		
#	Event Type	Zone
24 Hour Non-Burglary:		
150	24 Hour (Auxiliary)	Alarm-24 Hr. Non-Burg-#
151	Gas Detected	Alarm-Gas Detected-#
152	Refrigeration	Alarm-Refrigeration-#
153	Loss of Heat	Alarm-Heating System-#
154	Water Leakage	Alarm-Water Leakage-#
155	Foil Break	Trouble-Foil Break-#
156	Day Trouble	Trouble-Day Zone-#
157	Low Bottled Gas Level	Alarm-Low Gas Level-#
158	High Temp	Alarm-High Temperature-#
159	Low Temp	Alarm-Low Temperature-#
161	Loss of Air Flow	Alarm-Air Flow-#
162	Carbon Monoxide Detected	Alarm-Carbon Monoxide-#
163	Tank Level	Trouble-Tank Level-#
Fire Supervisory:		
200	Fire Supervisory	Super.-Fire Supervisory-#
201	Low Water Pressure	Super.-Low Water Pressure-#
202	Low CO2	Super.-Low CO2-#
203	Gate Valve Sensor	Super.-Gate Valve-#
204	Low Water Level	Super.-Low Water Level-#
205	Pump Activated	Super.-Pump Activation-#
206	Pump Failure	Super.-Pump Failure-#
System Troubles:		
300	System Trouble	Trouble-System Trouble
301	AC Loss	Trouble-AC Power
302	Low System Batt	Trouble-Low Battery
303	RAM Checksum Bad	Trouble-Bad RAM Checksum (Restore not applicable)
304	ROM Checksum Bad	Trouble-Bad ROM Checksum (Restore not applicable)
305	System Reset	Trouble-System Reset (Restore not applicable)
306	Panel Prog Change	Trouble-Programming Changed (Restore not applicable)
307	Self-Test Failure	Trouble-Self Test Failure
308	System Shutdown	Trouble-System Shutdown
309	Battery Test Fail	Trouble-Battery Test Failure
310	Ground Fault	Trouble-Ground Fault-#
311	Battery Missing	Trouble-Battery Missing
312	Power Supply Overcurrent	Trouble-Pwr. Supp. Overcur.-#
313	Engineer Reset	Status-Engineer Reset-User # (Restore not applicable)

Table 90: Event Codes (continued)		
#	Event Type	Zone
Sounder/Relay Troubles:		
320	Sounder/Relay	Trouble-Sounder/Relay-#
321	BELL 1	Trouble-Bell/Siren #1
322	BELL 2	Trouble-Bell/Siren #2
323	Alarm Relay	Trouble-Alarm Relay
324	Trouble Relay	Trouble-Trouble Relay
325	Reversing Relay	Trouble-Reversing Relay
326	Notification Appliance CKT. #3	Trouble-Notification Appl. Ckt#3
327	Notification Appliance CKT. #4	Trouble-Notification Appl. Ckt#4
System Peripheral Troubles:		
330	System Peripheral	Trouble-Sys. Peripheral-#
331	Polling Loop Open	Trouble-Polling Loop Open
332	Polling Loop Short	Trouble-Polling Loop Short
333	Exp. Module Failure	Trouble-Exp. Module Fail-#
334	Repeater Failure	Trouble-Repeater Failure-#
335	Local Printer Paper Out	Trouble-Printer Paper Out
336	Local Printer Failure	Trouble-Local Printer
337	Exp. Mod. DC Loss	Trouble-Exp. Mod. DC Loss-#
338	Exp. Mod. Low bat	Trouble-Exp. Mod. Low Batt-#
339	Exp. Mod. Reset	Trouble-Exp. Mod. Reset-#
341	Exp. Mod. Tamper	Trouble-Exp. Mod. Tamper-#
342	Exp. Module AC Loss	Trouble-Exp. Module AC Loss-#
343	Exp. Module Self Test Fail	Trouble-Exp. Self-Test Fail-#
344	RF Rcvr Jam Detect #	Trouble-RF Rcvr Jam Detect-#
Communication Troubles:		
350	Communication	Trouble-Communication Failure
351	Telco 1 Fault	Trouble-Phone line #1
352	Telco 2 Fault	Trouble-Phone line #2
353	LR Radio Xmitter Fault	Trouble-Radio Transmitter
354	Failure To Communicate	Trouble-Fail to Communicate
355	Loss of Radion Super.	Trouble-Radio Supervision
356	Loss of Central Polling	Trouble-Central Radion Polling
357	LRR XMTR. VSWR	Trouble-Radio Xmitter. VSWR-#

Table 90: Event Codes (continued)		
#	Event Type	Zone
Protection Loop:		
370	Protection Loop	Trouble-Protection Loop-#
371	Protection Loop Open	Trouble-Prot. Loop Open-#
372	Protection Loop Short	Trouble-Prot. Loop Short-#
373	Fire Trouble	Trouble-Fire Loop-#
374	Exit Error (By User)	Alarm-Exit Error-#
375	Panic Zone Trouble	Trouble-PA Trouble-#
376	Hold-Up Zone Trouble	Trouble-Hold-Up Trouble-#
Sensor:		
380	Sensor TRBL-Global	Trouble-Sensor Trouble-#
381	Loss Of Supervision	Trouble-RF Sensor Super.-#
382	Loss Of Supervisn	Trouble-RPM Sensor Super.-#
383	Sensor Tamper	Trouble-Sensor Tamper-#
384	RF Low Battery	Trouble-RF Sensor Battery-#
385	Smoke Hi Sens.	Trouble-Smoke Hi Sens.-#
386	Smoke lo sens.	Trouble-Smoke Lo Sens.-#
387	Intrusion hi sens.	Trouble-Intrusion Hi Sens.-#
388	Intrusion lo sens.	Trouble-Intrusion Lo Sens.-#
389	Det. Self test fail	Trouble-Sensor Test Fail-#
391	Sensor Watch Failure	Trouble-Sensor Watch Fail-#
392	Drift Comp. Error	Trouble-Drift Comp. Error-#
393	Maintenance Alert	Trouble-Maintenance Alert-#

Table 90: Event Codes (continued)		
#	Event Type	Zone
Open/Close:		
400	Open/Close	Opening/Closing
401	Open/Close By User	Opening-User #/Closing-User #
402	Group O/C	Closing-Group User #
403	Automatic Open/Close	Opening-Automatic/Closing-Automatic
404	Late to O/C	Opening-Late/Closing-Late
405	Deferred O/C	Event & Restore Not Applicable
406	Cancel (By User)	Opening-Cancel
407	Remote Arm/Disarm	Opening-Remote/Closing-Remote
408	Quick Arm	Event not applicable for opening/closing-Quick Arm
409	Keyswitch Open/Close	Opening-Keyswitch/Closing-Keyswitch
441	Armed Stay	Opening-Armed Stay/Closing-Armed Stay
442	Keyswitch Armed Stay	Opening-Keysw. Arm Stay/Opening-Keysw. Arm Stay
450	Exception O/C	Opening-Exception/Closing-Exception
451	Early O/C	Opening-Early/Closing-Early-User #
452	Late O/C	Opening-Late/Closing-Late-User #
153	Failed to Open	Trouble-Fail to open (Restore not applicable)
454	Failed to Close	Trouble-Fail to Close (Restore not applicable)
455	Auto-Arm Failed	Trouble-Auto Arm Failed (Restore not applicable)
456	Partial Arm	Closing-Partial arm-User #
457	Exit Error (User)	Closing-Exit Error-User #
458	User on Premises	Opening-User on Prem. -User #
459	Recent Close	Trouble-Recent Close-User # (Restore not applicable)
461	Wrong Code Entry	Access-Wrong Code entry (Restore not applicable)
462	Legal Code Entry	Access-Legal Code entry-user # (Restore not applicable)
463	Re-arm after Alarm	Status-Re Arm After Alarm-User # (restore not applicable)

Table 90: Event Codes (continued)		
#	Event Type	Zone
Open/Close:		
464	Auto Arm Time Extended	Status-Auto Arm Time Ext.- User # (Restore not applicable)
465	Panic Alarm Reset	Status-PA Reset (Restore not applicable)
Remote Access:		
411	Callback Requested	Remote-Callback Requested (Restore not applicable)
412	Success-Download/access	Remote-Successful Access (Restore not applicable)
413	Unsuccessful Access	Remote-Unsuccessful Access (Restore not applicable)
414	System Shutdown	Remote-System Shutdown
415	Dialer Shutdown	Remote-Dialer Shutdown
416	Successful Upload	Remote-Successful Upload (Restore not applicable)
Access Control:		
421	Access Denied	Access-Access Denied-User # (Restore not applicable)
422	Access Report by User	Access-Access Gained-User # (Restore not applicable)
423	Forced Access	Panic-Forced Access-#
424	Egress Denied	Access-Egress Denied (Restore not applicable)
425	Egress Granted	Access-Egress Granted (Restore not applicable)
426	Access Door Propped Open	Access-Door Propped Open-#
427	Access Point DSM Trouble	Access-ACS Point DSM Trbl.-#
428	Access Point RTE Trouble	Access-ACS Point RTE Trbl.-#
429	Access Program Mode Entry	Access-ACS Prog. Entry-User # (Restore not applicable)
430	Access Program Mode Exit	Access-ACS Prog. Exit-User # (Restore not applicable)
431	Access Threat Level Change	Access-ACS Threat Level Chg.
432	Access Relay/Trigger Fail	Access-ACS Relay/Trig. Fail-#
433	Access RTE Shunt	Access-ACS RTE Shunt-#
434	Access DSM Shunt	Access-ACS DSM Shunt-#
System Disables:		
501	Access Reader Disable	Disable-Access Rdr. Disable-#

Table 90: Event Codes (continued)		
#	Event Type	Zone
Sounder/Relay Disables:		
520	Sounder/Relay Disable	Disable-Sounder/Relay-#
521	Bell 1 Disable	Disable-Bell/Siren #1
522	Bell 2 Disable	Disable-Bell/Siren #2
523	Alarm Relay Disable	Disable-Alarm Relay
524	Trouble Relay Disable	Disable-Trouble Relay
525	Reversing Relay Disable	Disable-Reversing Relay
526	Notification Appliance Ckt #3	Disable-Notification Appl. Ckt #3
527	Notification Appliance Ckt #4	Disable-Notification Appl. Ckt #4
System Peripheral Disables:		
531	Module Added	Super.-Module Added (Restore not applicable)
532	Module Removed	Super.-Module Removed (Restore not applicable)
Communication Disables:		
551	Dialer Disabled	Disable-Dialer Disable
552	Radio Xmitter Disabled	Disable-Radio Disable
553	Remote Upload/Download	Disable-Rem. Up/Download Disable
Bypasses:		
570	Zone/Sensor Bypass	Bypass-Zone Bypass-#
571	Fire Bypass	Bypass-Fire Bypass-#
572	24 Hour Zone Bypass	Bypass-24 Hour Bypass-#
573	Burg. Bypass	Bypass-Burg. Bypass-#
574	Group Bypass	Bypass-Group Bypass-User #
575	Swinger Bypass	Bypass-Swinger Bypass-#
576	Access Zone Shunt	Access-ACS Zone Shunt-#
577	Access Point Bypass	Access-ACS Point Bypass-#

Table 90: Event Codes (continued)		
#	Event Type	Zone
Test/Misc.:		
601	Manual Test	Test-Manually Triggered (Restore not applicable)
602	Periodic Test	Test-Periodic (Restore not applicable)
603	Periodic RF Xmission	Test-Periodic Radio (Restore not applicable)
604	Fire Test	Test-Fire Walk Test-User #
605	Status Report To Follow	Test-Fire Walk-User #
606	Listen-In To Follow	Listen-Listen-In Active (Restore not applicable)
607	Walk-Test Mode	Test-Walk Test Mode-User #
608	System Trouble Present	Test-System Trouble Present (Restore not applicable)
609	Video XMTR Active	Listen-Video Xmitter Active (Restore not applicable)
611	Point Tested OK	Test-Point Tested OK-# (Restore not applicable)
612	Point Not Tested	Test-Point Not Tested-# (Restore not applicable)
613	Intrusion Zone Walk Tested	Test-Intrn Zone Walk Test-# (Restore not applicable)
614	Fire Zone Walk Tested	Test-Fire Zone Walk Test-# (Restore not applicable)
615	Panic Zone Walk Tested	Test-PA Zone Walk Test (Restore not applicable)
616	Service Request	Trouble-Service Request
Event Log:		
621	Event Log Reset	Trouble-Event Log Reset (Restore not applicable)
622	Event Log 50% Full	Trouble-Event Log 50% Full (Restore not applicable)
623	Event Log 90% Full	Trouble-Event Log 90% Full (Restore not applicable)
624	Event Log Overflow	Trouble-Event Log Overflow (Restore not applicable)
625	Time/Date Reset	Trouble-Time/Date Reset-User # (Restore not applicable)
626	Time/Date Inaccurate	Trouble-Time/Date Invalid
627	Program Mode Entry	Trouble-Program Mode Entry (Restore not applicable)
628	Program Mode Exit	Trouble-Program Mode Exit (Restore not applicable)

Table 90: Event Codes (continued)		
#	Event Type	Zone
Scheduling:		
630	Schedule Change	Trouble-Schedule Changed (Restore not applicable)
631	Exception Sched. Change	Trouble-Esc. Sched. Changed (Restore not applicable)
632	Access Schedule Changes	Trouble-Access Sched. Changed (Restore not applicable)
Personnel Monitoring:		
641	Senior Watch Trouble	Trouble-Senior Watch Trouble
642	Latch-key Supervision	Status-Latch-key Super-User # (Restore not applicable)
Special Codes:		
750-789	These codes are used only by Protection and can be assigned any unique non-standard Event code that Pro 1 tracks.	

Appendix B: Internal Messages

Table 91: Internal Messages

#	Internal Messages	D6500 Output ²	SIA Output ²	Printer Output
1.	Acknowledge			Acknowledge
2.	Keypad Operation ¹	X 0	[NYZ]	OPERATOR KEYPAD OPERATION
3.	Service Required ¹	X 1	[NYX]	SERVICE REQUIRED
4.	Set Time	X 2	[NJT]	TIME SET
5.	Battery Missing	X 9	[NYM]	BATTERY MISSING
6.	Battery Present ¹	X 10	[NYR]	BATTERY PRESENT
7.	Battery Bad	X 11	[NYT]	BATTERY BAD
8.	Battery Restore	X 12	[NYR]	BATTERY RESTORE
9.	AC Fail	X 13	[NAT]	AC FAIL
10.	AC Restore	X 14	[NAR]	AC RESTORE
11.	Paper In ¹	X 15	[NVI]	PAPER IN
12.	Paper Out ¹	X 16	[NVO]	PAPER OUT
13.	Local Parameter Program In ¹	X 17	[NLB]	LOCAL PARM PROGRAM IN
14.	Local Parameter Program Successful ¹	X 18	[NLS]	LOCAL PARM PROGRAM SUCCESSFUL
15.	Local Software Program In ¹	X 41	[NLB]	LOCAL SOFTWARE PROGRAM IN
16.	Local Software Program Successful ¹	X 42	[NLS]	LOCAL SOFTWARE PROGRAM SUCCESS
17.	Local Program Failure ¹	X 43	[NLU]	LOCAL PROGRAM FAILURE
18.	Local Program Denied ¹	X 44	[NLD]	LOCAL PROGRAM DENIED
19.	Remote Parameter Program In	X 45	[NRB]	REMOTE PARM PROGRAM IN
20.	Remote Parameter Program Successful	X 46	[NRS]	REMOTE PARM PROGRAM OK
21.	Remote Software Program In	X 47	[NRB]	REMOTE SOFTWARE PROGRAM IN
22.	Remote Software Program Successful	X 48	[NRS]	REMOTE SOFTWARE PROGRAM SUCCESS
23.	Remote Program Failure	X 49	[NRU]	REMOTE PROGRAM FAILURE
24.	Remote Program Denied ¹	X 50	[NRD]	REMOTE PROGRAM DENIED
25.	Printer On Line ¹	X 19	[NVY]	PRINTER ON LINE
26.	Printer Off Line ¹	X 20	[NVZ]	PRINTER OFF LINE
27.	External PRT Error	X 21	[NVT]	EXTERNAL PRINTER ERROR
28.	External PRT Restore	X 22	[NVR]	EXTERNAL PRINTER RESTORE
29.	Internal PRT Error ¹	X 21	[NVT]	INTERNAL PRINTER ERROR
30.	Internal PRT Restore ¹	X 22	[NVR]	INTERNAL PRINTER RESTORE
31.	Busy Seconds	bbb B	[NYBbbb]	BUSY SECONDS bbb%
32.	COM3 Error	X 30	[NYC]	COMPUTER ERROR
33.	COM3 Trouble	X 31	[NYS]	COMPUTER TROUBLE
34.	COM3 Restore	X 32	[NYK]	COMPUTER RESTORE
35.	UPS AC Fail	X 33	[NUA01]	UPS AC FAIL
36.	UPS AC Restore	X 34	[NUR01]	UPS AC RESTORE
37.	UPS Battery Low	X 35	[NUA02]	UPS BATTERY LOW
38.	UPS Battery Restore	X 36	[NUR02]	UPS BATTERY RESTORE

¹ Internal message is not implemented.

² Output messages are abbreviated.

Table 91: Internal Messages (continued)

#	Internal Messages	D6500 Output ²	SIA Output ²	Printer Output
39.	System Reset	X 37	[NYW01]	SYSTEM RESET
40.	System Default ¹	X 38	[NYG]	SYSTEM DEFAULT
41.	System Temperature High	X 39	[NKA]	SYSTEM TEMPERATURE HIGH
42.	System Temperature Restore	X 40	[NKR]	SYSTEM TEMPERATURE RESTORE
43.	Slotx/Linex (Lxx) Line Fault	X 5	[NLT]	PHONE LINE FAULT
44.	Slotx/Linex (Lxx) Line Restore	X 6	[NLR]	PHONE LINE RESTORE
45.	Slotx/Linex (Lxx) Line Card Trouble	X 7	[NYD]	LINE CARD TROUBLE
46.	Slotx/Linex (Lxx) Line Card Restore	X 8	[NYE]	LINE CARD RESTORE
47.	Slotx/Linex (Lxx) Audio In	*	[NLF]	AUDIO IN
48.	Slotx/Linex (Lxx) Audio Done	L	[NLE]	AUDIO DONE
49.	Slotx/Linex (Lxx) Communication Error ¹	X 60	[NUA03]	COMMUNICATION ERROR
50.	Slotx/Linex (Lxx) Communication Restr ¹	X 61	[NUR03]	COMMUNICATION RESTR
51.	Slotx/Linex (Lxx) Data Error	X 62	[NYN]	DATA ERROR
52.	Slotx/Linex (Lxx) No Data Received	X 63	[NUT04]	NO DATA RECEIVED
53.	Slotx/Linex (Lxx) Reset	X 64	[NYW02]	RESET
54.	Slotx/Linex (Lxx) Codec Error ¹	X 65	[NUT05]	CODEC ERROR
55.	Slotx/Linex (Lxx) Private Call	P	[NUT06]	PRIVATE CALL
56.	Slotx/Linex (Lxx) No Call Number	N	[NUT07]	NO CALL NUMBER
57.	Slotx/Linex (Lxx) Caller Unknown	U	[NUT08]	CALLER UNKNOWN
58.	Set Date	X 51	[NJD]	DATE SET
59.	Stop Two Way Audio	X 52	[CLK]	TWO WAY AUDIO STOP
60.	CPU Data Error ¹	X 53	[NYN01]	CPU DATA ERROR
61.	Network Error ¹	X 54	[NNT]	NETWORK TROUBLE
62.	Network Restore ¹	X 55	[NNR]	NETWORK RESTORE
63.	Account Status Failure	T B02	[NYC]	COMMUNICATIONS FAILURE
64.	Account Status Restore	N B02	[NYK]	COMMUNICATIONS RESTORED
65.	Supervision Rate Changed	X 66	[NCO0001]	SUPERVISION RATE CHANGED
66.	Switch To Intercept Mode	X 88	[NCO0002]	SWITCH TO INTERCEPT MODE
67.	Switch to Fallback Mode	X 81	[NCO0003]	SWITCH TO FALLBACK MODE
68.	Diable Intercept Mode	X 83	[NCO0004]	DISABLE INTERCEPT MODE
69.	Activate Output	X 84	[NCO0005]	ACTIVATE OUTPUT
70.	Deactivate Output	X 86	[NCO0006]	DEACTIVATE OUTPUT
71.	C900 Reboot	X 59	[NSC0001]	C900 REBOOT
72.	C900 Battery Low	X 58	[NSC0002]	C900 BATTERY LOW
73.	C900 Battery Restore	X 68	[NSC0003]	C900 BATTERY RESTORE
74.	C900 Switched to Intercept	X 87	[NSC0004]	C900 SWITCHED TO INTERCEPT
75.	C900 Switched to Fallback	X 82	[NSC0005]	C900 SWITCHED TO FALLBACK
76.	C900 Output Activated	X 85	[NSC0006]	C900 OUTPUT ACTIVATED

¹ Internal message is not implemented.

² Output messages are abbreviated.

Table 91: Internal Messages (continued)

#	Internal Messages	D6500 Output ²	SIA Output ²	Printer Output
77.	C900 Output Deactivated	X 94	[NSC0007]	C900 OUTPUT DEACTIVATED
78.	C900 Input Shorted	X 89	[NSC0008]	C900 INPUT SHORTED
79.	C900 Input Open	X 90	[NSC0009]	C900 INPUT OPEN
80.	C900 Input Restored	X 91	[NSC0010]	C900 INPUT RESTORED
81.	C900 Intercept Enabled	X 92	[NSC0011]	C900 INTERCEPT ENABLED
82.	C900 Intercept Disabled	X 93	[NSC0012]	C900 INTERCEPT DISABLED
83.	No Acknowledgement Received	X 71	[NYU0001]	NO ACKNOWLEDGEMENT RECEIVED
84.	Not Dialing	X 72	[NYU0002]	NOT DIALING
85.	Dialing Error	X 73	[NYU0003]	DIALING ERROR
86.	No Response to Handshake	X 74	[NYU0004]	NO RESPONSE TO HANDSHAKE
87.	No Response to Acknowledgement	X 75	[NYU0005]	NO RESPONSE TO ACK
88.	Message Unknown	X 76	[NYU0006]	MESSAGE UNKNOWN
89.	Invalid Message	X 77	[NYU0007]	INVALID MESSAGE
90.	30 Minutes Since Fallback Command	X 95	[NMI0001]	30 MIN SINCE FALLBACK CMD
91.	Invalid Message	X 77	[NYU0007]	INVALID MESSAGE
92.	30 Minutes Since Fallback Command	X 95	[NMI0001]	30 MIN SINCE FALLBACK CMD
97.	Incompatible	X 99	[NIVn]	INCOMPATIBLE FIRMWARE
98.	Incompatible	X 100	[NIUn]	INCOMPATIBLE HARDWARE

¹ Internal message is not implemented.

² Output messages are abbreviated.

Appendix C: Modem IIIa² Messages



For lines that are grouped, Gxx appears instead of Lxx.

Table 92: Modem IIIa² Messages

	Event	Device/Mode	Display	Explanation	Refer to Section C.1 Zonex and Comex Translation on page 137.
1.	Abort (User not identified)	Printer: D6500 Mode: SIA Mode:	dd/dd tt:tt Lxx ACC aaaa ABORT BY USER +++ACC aaaa AREA=a hlrrlssssssaaaaaIsD41t <header>[#aaaa NriaAB]		
2.	Abort (users < 255)	Printer: D6500 Mode: SIA Mode:	dd/dd tt:tt Lxx ACC aaaa ABORT BY USER +++ACC aaaa AREA=a ID=iii hlrrlssssssaaaaaIsiiii <header>[#aaaa Nria/idiiiAB]		
3.	Abort (users > 254)	Printer: D6500 Mode: SIA Mode:	dd/dd tt:tt Lxx ACC aaaa ABORT BY USER +++ACC aaaa AREA=aa ID=iiii hlrrlssssssaaaaaIiiii <header>[#aaaa Nria/idiiiiAB]		
4.	<u>Access Granted</u>	Printer: D6500 Mode: SIA Mode:	dd/dd tt:tt Lxx ACC aaaa ACCESS GRANTED +++ ACC aaaa AREA=a CRD=iii-x POINT=ppp hlrrlssssssaaaaaAGpppt <header>[#aaaa Nria/idiiiDGppp] or <header>[#aaaa Nria/idiii/ssxDGppp]		
5.	Access Granted (point < 255, user > 254)	Printer: D6500 Mode: SIA Mode:	dd/dd tt:tt Lxx ACC aaaa ACCESS GRANTED +++ACC aaaa AREA=aa CRD=iiii POINT=ppp hlrrlssssssaaaaaAGpppt <header>[#aaaa Nria/idiiiiDGppp]		
6.	Access Granted (point > 254, user < 255)	Printer: D6500 Mode: SIA Mode:	dd/dd tt:tt Lxx ACC aaaa ACCESS GRANTED +++ACC aaaa AREA=aa CRD=iii-x POINT=pppp hlrrlssssssaaaaaAGpppt <header>[#aaaa Nriaa/idiiiDGpppp] or <header>[#aaaa Nriaa/idiii/ssxDGpppp]		
7.	Access Granted (point > 254, user > 255)	Printer: D6500 Mode: SIA Mode:	dd/dd tt:tt Lxx ACC aaaa ACCESS GRANTED +++ACC aaaa AREA=aa CRD=iiii POINT=pppp hlrrlssssssaaaaaAGpppt <header>[#aaaa Nriaa/idiiiiDGpppp]		
8.	AC Fail (Area reported)	Printer: D6500 Mode: SIA Mode:	dd/dd tt:tt Lxx ACC aaaa AC FAILURE +++ACC aaaa AREA=aa hlrrlssssssaaaaaPsssst <header>[#aaaa NriaaAT]		
9.	AC Fail	Printer: D6500 Mode: SIA Mode:	dd/dd tt:tt Lxx ACC aaaa AC FAILURE hlrrlssssssaaaaaPsssst <header>[#aaaa NAT]	No AC power. Control panel is running on battery power only. You can program the control panel to defer this report.	
10.	AC Fail	Printer: D6500 Mode: SIA Mode:	dd/dd tt:tt Lxx ACC aaa TROUBLE ZN z hlrrlssssssaaaaaTssszt <header>[#aaaa NATO]		2, z = 0
11.	AC Fail (as a rider)	Printer: D6500 Mode: SIA Mode:	dd/dd tt:tt Lxx ACC aaa AC FAILED hlrrlssssssaaaaaPsssst <header>[#aaaa NAT]	No AC power. Control panel is running on battery power only. This report is sent along with the next report transmitted - it is not transmitted independently.	2, D9112

Table 92: Modem IIIa² Messages (continued)

	Event	Device/Mode	Display	Explanation	Refer to Section C.1 Zonex and Comex Translation on page 137.
12.	AC Fail Since Last Call	Printer: D6500 Mode: SIA Mode:	+++ ACC aaaa AC FAILURE hlrrlssssssaaaaSPsssst <header>[#aaaa OAT]	No AC power. Control panel is running on battery power only. You can program the control panel to defer this report.	5.
13.	AC Restoral (Area reported)	Printer: D6500 Mode: SIA Mode:	dd/dd tt:tt Lxx ACC aaaa AC RESTORAL +++ACC aaaa AREA=aa hlrrlssssssaaaaasRsss0t <header>[#aaaa NriaaAR]		
14.	AC Restoral	Printer: D6500 Mode: SIA Mode:	dd/dd tt:tt Lxx ACC aaaa AC RESTORAL hlrrlssssssaaaaasRsss0t <header>[#aaaa NAR]	AC power restored.	D7112
15.	AC Restoral	Printer: D6500 Mode: SIA Mode:	dd/dd tt:tt Lxx ACC aaa RESTORAL ZN z hlrrlssssssaaaaasRssszt <header>[#aaaa NURO]		2, z = 0
16.	AC Restored	Printer: D6500 Mode: SIA Mode:	dd/dd tt:tt AC RESTORED RCVR rr hlrrssssssssssXss14t <header>[NAR]		
17.	AC Troubled	Printer: D6500 Mode: SIA Mode:	dd/dd tt:tt AC TROUBLED RCVR rr hlrrssssssssssXss13t <header>[NAT]		
18.	Alarm	Printer: D6500 Mode: SIA Mode:	dd/dd tt:tt Lxx ACC aaaa ALARM REPORT hlrrlssssssaaaaasAsssst <header>[#aaaa NBA]	Unexpanded alarm report. Alarm report from the POINT in the AREA specified in the second line of the report.	1,10
19.	Alarm	Printer: D6500 Mode: SIA Mode:	dd/dd tt:tt Lxx ACC aaaa ALARM ZN z hlrrlssssssaaaaasAssszzt <header>[#aaaa NBaz]		2,9
20.	Alarm	Printer: D6500 Mode: SIA Mode:	dd/dd tt:tt Lxx ACC aaaa ALARM ZN zyy hlrrlssssssaaaaasAszyyt <header>[#aaaa NBazyy]		
21.	Alarm	Printer: D6500 Mode: SIA Mode:	dd/dd tt:tt Lxx ACC aaaa ALARM ZN zxx hlrrlssssssaaaaasAssxxt <header>[#aaaa NBaxx]		
22.	Alarm	Printer: D6500 Mode: SIA Mode:	dd/dd tt:tt Lxx ACC aaaa ALARM ZN 16 hlrrlssssssaaaaasAss16t <header>[#aaaa NBA16]	Alarm condition on the zone number shown.	
23.	Alarm (points > 254)	Printer: D6500 Mode: SIA Mode:	dd/dd tt:tt Lxx ACC aaaa ALARM REPORT +++ACC aaaa AREA=aa POINT=pppp hlrrlssssssaaaaasAppppt <header>[#aaaa NriaaBApppp]		
24.	Alarm (with Ground Fault) (points > 254)	Printer: D6500 Mode: SIA Mode:	dd/dd tt:tt Lxx ACC aaaa ALARM REPORT +++ACC aaaa GROUND FAULT +++ACC aaaa AREA=aa POINT=pppp hlrrlssssssaaaaasAppppt <header>[#aaaa NriaaBApppp]		
25.	Alarm (Area Not Reported)	Printer: D6500 Mode: SIA Mode:	dd/dd tt:tt Lxx ACC aaaa ALARM REPORT +++ ACC aaaa POINT=ppp +++ ACC aaaa ID=iii POINT=ppp hlrrlssssssaaaaasAppppt <header>[#aaaa NBAppp]	Unexpanded alarm report. Alarm report from the POINT in the AREA specified in the second line of the report.	

Table 92: Modem IIIa² Messages (continued)

	Event	Device/Mode	Display	Explanation	Refer to Section C.1 Zonex and Comex Translation on page 137.
26.	Alarm (points < 255)	Printer: D6500 Mode: SIA Mode:	dd/dd tt:tt Lxx ACC aaaa ALARM REPORT +++ACC aaaa AREA=a POINT=ppp hlrrlssssssaaaaasAspppt <header>[#aaaa NriaBAppp]		
27.	Alarm with Recent Closing Created due to alarm within 2 min of close (points < 255)	Printer: D6500 Mode: SIA Mode:	dd/dd tt:tt Lxx ACC aaaa ALARM REPORT +++ACC aaaa RECENT CLOSING +++ACC aaaa AREA=a ID=iii POINT=ppp hlrrlssssssaaaaasAspppt <header>[#aaaa Nria/idiicRppp]		
28.	Alarm with Recent Closing Created due to alarm within 2 min of close (points > 254, user < 255)	Printer: D6500 Mode: SIA Mode:	dd/dd tt:tt Lxx ACC aaaa ALARM REPORT +++ACC aaaa RECENT CLOSING +++ACC aaaa AREA=aa ID=iii POINT=pppp hlrrlssssssaaaaasAppppt <header>[#aaaa Nriaa/idiicRpppp]		
29.	Alarm with Recent Closing Created due to alarm within 2 min of close (points > 254, user > 254)	Printer: D6500 Mode: SIA Mode:	dd/dd tt:tt Lxx ACC aaaa ALARM REPORT +++ACC aaaa RECENT CLOSING +++ACC aaaa AREA=aa ID=iiii POINT=pppp hlrrlssssssaaaaasAppppt <header>[#aaaa Nriaa/idiicRpppp]		
30.	Alarm with Recent Closing Created due to alarm within 5 min of close (with Ground Fault) (points > 254, user < 255)	Printer: D6500 Mode: SIA Mode:	dd/dd tt:tt Lxx ACC aaaa ALARM REPORT +++ACC aaaa RECENT CLOSING +++ACC aaaa GROUND FAULT +++ACC aaaa AREA=aa ID=iii POINT=pppp hlrrlssssssaaaaasAppppt <header>[#aaaa Nriaa/idiicRpppp]		
31.	Alarm with Recent Closing Created due to alarm within 5 min of close (with Ground Fault) (points > 254, user > 254)	Printer: D6500 Mode: SIA Mode:	dd/dd tt:tt Lxx ACC aaaa ALARM REPORT +++ACC aaaa RECENT CLOSING +++ACC aaaa GROUND FAULT +++ACC aaaa AREA=aa ID=iiii POINT=pppp hlrrlssssssaaaaasAsppppt <header>[#aaaa Nriaa/idiicRpppp]		
32.	Alarm Cross Point (points < 255)	Printer: D6500 Mode: SIA Mode:	dd/dd tt:tt Lxx ACC aaaa ALARM REPORT +++ACC aaaa CROSS POINT +++ACC aaaa AREA=a CG=gg POINT=ppp hlrrlssssssaaaaasAspppt <header>[#aaaa NriaBMppp]		
33.	Alarm Cross Point (Area Not Reported)	Printer: D6500 Mode: SIA Mode:	dd/dd tt:tt Lxx ACC aaaa ALARM REPORT +++ ACC aaaa CROSS POINT +++ ACC aaaa POINT=ppp hlrrlssssssaaaaasAspppt <header>[#aaaa NBMppp]	Unexpanded alarm report. Alarm report from the POINT in the AREA specified in the second line of the report.	
34.	Alarm Cross Point (points > 254)	Printer: D6500 Mode: SIA Mode:	dd/dd tt:tt Lxx ACC aaaa ALARM REPORT +++ACC aaaa CROSS POINT +++ACC aaaa AREA=aa CG=gg POINT=pppp hlrrlssssssaaaaasAppppt <header>[#aaaa NriaaBMpppp]		
35.	Alarm Cross Point (with Ground Fault) (points > 254)	Printer: D6500 Mode: SIA Mode:	dd/dd tt:tt Lxx ACC aaaa ALARM REPORT +++ACC aaaa CROSS POINT, GROUND FAULT +++ACC aaaa AREA=aa CG=gg POINT=pppp hlrrlssssssaaaaasAppppt <header>[#aaaa NriaaBMpppp]		

Table 92: Modem IIIa² Messages (continued)

	Event	Device/Mode	Display	Explanation	Refer to Section C.1 Zonex and Comex Translation on page 137.
36.	Alarm Door Forced (points > 254)	Printer: D6500 Mode: SIA Mode:	dd/dd tt:tt Lxx ACC aaaa ALARM REPORT +++ACC aaaa DOOR FORCED +++ACC aaaa AREA=aa POINT=pppp hlrrlssssssaaaaasAppppt <header>[#aaaa NriaaDFpppp]		
37.	Alarm Exit Error (Area Not Reported)	Printer: D6500 Mode: SIA Mode:	dd/dd tt:tt Lxx ACC aaaa ALARM REPORT +++ ACC aaaa EXIT ERROR hlrrlssssssaaaaasAppppt <header>[#aaaa NidiiiEApp]	Unexpanded alarm report. Alarm report from the POINT in the AREA specified in the second line of the report.	
38.	Alarm Exit Error (points < 255)	Printer: D6500 Mode: SIA Mode:	dd/dd tt:tt Lxx ACC aaaa ALARM REPORT +++ACC aaaa EXIT ERROR +++ACC aaaa AREA=a ID=iii POINT=ppp hlrrlssssssaaaaasAppppt <header>[#aaaa Nria/idiiiEApp]		
39.	Alarm Exit Error (points > 254, user < 255)	Printer: D6500 Mode: SIA Mode:	dd/dd tt:tt Lxx ACC aaaa ALARM REPORT +++ACC aaaa EXIT ERROR +++ACC aaaa AREA=aa ID=iii POINT=pppp hlrrlssssssaaaaasAppppt <header>[#aaaa Nriaa/idiiiEApppp]		
40.	Alarm Exit Error (points > 254, user > 254)	Printer: D6500 Mode: SIA Mode:	dd/dd tt:tt Lxx ACC aaaa ALARM REPORT +++ACC aaaa EXIT ERROR +++ACC aaaa AREA=aa ID=iiii POINT=pppp hlrrlssssssaaaaasAppppt <header>[#aaaa Nriaa/idiiiiEApppp]		
41.	Alarm Exit Error (with Ground Fault) (points > 254, user < 255)	Printer: D6500 Mode: SIA Mode:	dd/dd tt:tt Lxx ACC aaaa ALARM REPORT +++ACC aaaa EXIT ERROR, GROUND FAULT +++ACC aaaa AREA=aa ID=iii POINT=pppp hlrrlssssssaaaaasAppppt <header>[#aaaa Nriaa/idiiiEApppp]		
42.	Alarm Exit Error (with Ground Fault) (points > 254, user > 254)	Printer: D6500 Mode: SIA Mode:	dd/dd tt:tt Lxx ACC aaaa ALARM REPORT +++ACC aaaa EXIT ERROR, GROUND FAULT +++ACC aaaa AREA=aa ID=iiii POINT=pppp hlrrlssssssaaaaasAppppt <header>[#aaaa Nriaa/idiiiiEApppp]		
43.	Alarm Fire	Printer: D6500 Mode: SIA Mode:	dd/dd tt:tt Lxx ACC aaaa FIRE FR z hlrrlssssssaaaaasFssszt <header>[#aaaa NFAz]		
44.	Alarm Silenced	Printer: D6500 Mode: SIA Mode:	dd/dd tt:tt Lxx ACC aaaa ALARM SILENCED +++ACC aaaa AREA=aa POINT=pppp hlrrlssssssaaaaasFSpppt <header>[#aaaa NriaaFLpppp]		
45.	All Points Tested	Printer: D6500 Mode: SIA Mode:	dd/dd tt:tt Lxx ACC aaaa ALL PTS TESTED hlrrlssssssaaaaasRsssFt <header>[#aaaa NTC]		
46.	Analog Restoral (points < 255)	Printer: D6500 Mode: SIA Mode:	dd/dd tt:tt Lxx ACC aaaa ANALOG RESTORE +++ACC aaaa AREA=a POINT=ppp hlrrlssssssaaaaasRsppt <header>[#aaaa NriaANppp]		
47.	Analog Restoral (points < 255)	Printer: D6500 Mode: SIA Mode:	dd/dd tt:tt Lxx ACC aaaa ANALOG RESTORE +++ACC aaaa SENSOR DIRTY +++ACC aaaa AREA=a POINT=ppp hlrrlssssssaaaaasRsppt <header>[#aaaa NriaANppp]		

Table 92: Modem IIIa² Messages (continued)

	Event	Device/Mode	Display	Explanation	Refer to Section C.1 Zonex and Comex Translation on page 137.
48.	Analog Restoral (points > 254)	Printer: D6500 Mode: SIA Mode:	dd/dd tt:tt Lxx ACC aaaa ANALOG RESTORE +++ACC aaaa AREA=aa POINT=pppp hlrrlssssssaaaaasRsppppt <header>[#aaaa NriaaANpppp]		
49.	Analog Restoral (points > 254)	Printer: D6500 Mode: SIA Mode:	dd/dd tt:tt Lxx ACC aaaa ANALOG RESTORE +++ACC aaaa SENSOR DIRTY +++ACC aaaa AREA=aa POINT=pppp hlrrlssssssaaaaasRsppppt <header>[#aaaa NriaaANpppp]		
50.	Analog Service (points < 255)	Printer: D6500 Mode: SIA Mode:	dd/dd tt:tt Lxx ACC aaaa ANALOG SERVICE +++ACC aaaa SENSOR DIRTY +++ACC aaaa AREA=a POINT=ppp hlrrlssssssaaaaasTsppt <header>[#aaaa NriaASppp]		
51.	Analog Service (points > 254)	Printer: D6500 Mode: SIA Mode:	dd/dd tt:tt Lxx ACC aaaa ANALOG SERVICE +++ACC aaaa AREA=aa POINT=pppp hlrrlssssssaaaaasTsppt <header>[#aaaa NriaaASpppp]		
52.	Analog Service (points > 254)	Printer: D6500 Mode: SIA Mode:	dd/dd tt:tt Lxx ACC aaaa ANALOG SERVICE +++ACC aaaa SENSOR DIRTY +++ACC aaaa AREA=aa POINT=pppp hlrrlssssssaaaaasTsppt <header>[#aaaa NriaaASpppp]		
53.	Analog Service (points > 254) (Level and Value Reported)	Printer: D6500 Mode: SIA Mode:	dd/dd tt:tt Lxx ACC aaaa ANALOG SERVICE +++ACC aaaa AREA=aa POINT=pppp +++ACC aaaa LEVEL=lll VALUE=vvv hlrrlssssssaaaaasTsppt <header>[#aaaa Nriaa/lvlll/vavvASpppp]		
54.	Area Watch	Printer: D6500 Mode: SIA Mode:	dd/dd tt:tt Lxx ACC aaaa AREA WATCH +++ ACC aaaa AREA=a ID=iii hlrrlssssssaaaaasNsD51t <header>[#aaaa Nria/idiiiTW]		
55.	Area Watch (Watch mode ended) (users > 254)	Printer: D6500 Mode: SIA Mode:	dd/dd tt:tt Lxx ACC aaaa WATCH MODE END +++ACC aaaa AREA=aa ID=iiii hlrrlssssssaaaaasNsD52t <header>[#aaaa Nriaa/idiiiTZ]		
56.	Area Watch (Watch mode started) (users > 254)	Printer: D6500 Mode: SIA Mode:	dd/dd tt:tt Lxx ACC aaaa WATCH START +++ACC aaaa AREA=aa ID=iiii hlrrlssssssaaaaasNsD51t <header>[#aaaa Nriaa/idiiiTW]		
57.	Audio Done	Printer: D6500 Mode: SIA Mode:	dd/dd tt:tt Lxx AUDIO DONE hlrrlssssssssssLsssst <header>[NLE]		
58.	Audio In	Printer: D6500 Mode: SIA Mode:	dd/dd tt:tt Lxx AUDIO IN hlrrlssssssssss*sssst <header>[NLF]		
59.	Battery Low	Printer: D6500 Mode: SIA Mode:	dd/dd tt:tt Lxx ACC aaaa BATTERY LOW hlrrlssssssaaaaasTsss9t <header>[#aaaa NYT]	The control panel battery discharged to 11.8 VDC or less.	
60.	Battery Low	Printer: D6500 Mode: SIA Mode:	dd/dd tt:tt Lxx ACC aaa TROUBLE ZN z hlrrlssssssaaaaasTssszt <header>[#aaaa NBT9]		2, z = 9
61.	Battery Low (Area reported)	Printer: D6500 Mode: SIA Mode:	dd/dd tt:tt Lxx ACC aaaa BATTERY LOW +++ACC aaaa AREA=aa hlrrlssssssaaaaasTsss9t <header>[#aaaa NriaaYT]		

Table 92: Modem IIIa² Messages (continued)

	Event	Device/Mode	Display	Explanation	Refer to Section C.1 Zonex and Comex Translation on page 137.
63.	Battery Low Since Last Call	Printer: D6500 Mode: SIA Mode:	+++ ACC aaaa BATTERY LOW hlrrlssssssaaaaSTsssst <header>[#aaaa OYT]	The control panel battery discharged to 11.8 VDC or less.	5.
64.	Battery Missing Since Last Call	Printer: D6500 Mode: SIA Mode:	+++ ACC aaaa BATTERY MISSING hlrrlssssssaaaaSTsssst <header>[#aaaa OYM]	The control panel battery is connected incorrectly, disconnected, or completely discharged.	5.
65.	Battery Restoral (Area reported)	Printer: D6500 Mode: SIA Mode:	dd/dd tt:tt Lxx ACC aaaa BATTERY RESTORE +++ACC aaaa AREA=aa hlrrlssssssaaaaasRsss9t <header>[#aaaa NriaaYR]		
66.	Battery Missing	Printer: D6500 Mode: SIA Mode:	dd/dd tt:tt Lxx ACC aaaa BATTERY MISSING hlrrlssssssaaaaasTsss9t <header>[#aaaa NYM]	The control panel battery is connected incorrectly, disconnected, or completely discharged.	
67.	Battery Missing	Printer: D6500 Mode: SIA Mode:	dd/dd tt:tt Lxx ACC aaa TROUBLE ZN z hlrrlssssssaaaaasTssszt <header>[#aaaa NET9]		2, z = 9
68.	Battery Missing	Printer: D6500 Mode: SIA Mode:	dd/dd tt:tt BATTERY MISSING RCVR rr hlrrssssssssssssXsss9t <header>[NYM]		
69.	Battery Present	Printer: D6500 Mode: SIA Mode:	dd/dd tt:tt BATTERY PRESENT RCVR rr hlrrssssssssssssXsss10t <header>[NYR]		
70.	Battery Restoral	Printer: D6500 Mode: SIA Mode:	dd/dd tt:tt Lxx ACC aaaa BATTERY RESTORE hlrrlssssssaaaaasRsss9t <header>[#aaaa NYR]	The control panel battery charged to 13.2 VDC after a BATTERY LOW was reported (the battery is fully charged at 13.8 VDC).	
71.	Battery Restoral	Printer: D6500 Mode: SIA Mode:	dd/dd tt:tt Lxx ACC aaa RESTORAL ZN z hlrrlssssssaaaaasRssszt <header>[#aaaa NUR9]		2, z = 9
72.	Battery Restoral	Printer: D6500 Mode: SIA Mode:	dd/dd tt:tt BATTERY RESTORED RCVR rr hlrrssssssssssssXsss12t <header>[NYR]		
73.	Blank Line	Printer: D6500 Mode: SIA Mode:	print blank line (CR and LF)		
74.	Busy Seconds	Printer: D6500 Mode: SIA Mode:	dd/dd tt:tt Lxx BUSY SECONDS bbb% RCVR rr hlrrlssssssbbbsBsssst <header>[NYBbbb]		
75.	Bypass, Command	Printer: D6500 Mode: SIA Mode:	dd/dd tt:tt Lxx ACC aaaa COMMAND BYPASS +++ ACC aaaa AREA=a ID=iii POINT=ppp hlrrlssssssaaaaasNspppt <header>[#aaaa Nria/idiiiUBppp]		
76.	Bypass, Programmer	Printer: D6500 Mode: SIA Mode:	dd/dd tt:tt Lxx ACC aaaa PROGRAMR BYPASS +++ ACC aaaa AREA=a POINT=ppp SDI=ddd hlrrlssssssaaaaasNspppt <header>[#aaaa Nria/pidddUBppp]	The POINT in the AREA in the second line of the report is faulted, and was bypassed by a programmer with the specified serial device number when the system was armed.	

Table 92: Modem IIIa² Messages (continued)

	Event	Device/Mode	Display	Explanation	Refer to Section C.1 Zonex and Comex Translation on page 137.
77.	Bypass, Remote (Call back)	Printer: D6500 Mode: SIA Mode:	dd/dd tt:tt Lxx ACC aaaa RAM BYPASS +++ ACC aaaa AREA=a POINT=ppp PH#=h hlrrlssssssaaaaasNsppt <header>[#aaaa Nria/phhUBppp]	The POINT in the AREA specified in the second line of the report is faulted, and was bypassed by a RAM through the specified phone line.	
78.	Bypass, Remote (No Call back)	Printer: D6500 Mode: SIA Mode:	dd/dd tt:tt Lxx ACC aaaa RAM BYPASS +++ ACC aaaa AREA=a POINT=ppp hlrrlssssssaaaaasNsppt <header>[#aaaa NriaUBppp]	The POINT in the AREA specified in the second line of the report is faulted, and was bypassed by a RAM through the specified phone line.	
79.	Bypass Restore	Printer: D6500 Mode: SIA Mode:	dd/dd tt:tt Lxx ACC aaaa BYPASS RESTORE +++ACC aaaa POINT=ppp hlrrlssssssaaaaaRBsppt <header>[#aaaa NUUppp]		
80.	Bypass Restore (points < 255)	Printer: D6500 Mode: SIA Mode:	dd/dd tt:tt Lxx ACC aaaa BYPASS RESTORE +++ACC aaaa AREA=a POINT=ppp hlrrlssssssaaaaaRBsppt <header>[#aaaa NriaUUppp]		
81.	Bypass Restore (point < 255) (Fire point)	Printer: D6500 Mode: SIA Mode:	dd/dd tt:tt Lxx ACC aaaa BYPASS RESTORE +++ACC aaaa FIRE POINT +++ACC aaaa AREA=a POINT=ppp hlrrlssssssaaaaaRBsppt <header>[#aaaa NriaFUppp]		
82.	Bypass Restore (points < 255) (Supervisory point)	Printer: D6500 Mode: SIA Mode:	dd/dd tt:tt Lxx ACC aaaa BYPASS RESTORE +++ACC aaaa SUPERVISORY POINT +++ACC aaaa AREA=a POINT=ppp hlrrlssssssaaaaaRBsppt <header>[#aaaa NriaSUppp]		
83.	Bypass Restore (points < 255) (Waterflow point)	Printer: D6500 Mode: SIA Mode:	dd/dd tt:tt Lxx ACC aaaa BYPASS RESTORE +++ACC aaaa WATERFLOW POINT +++ACC aaaa AREA=a POINT=ppp hlrrlssssssaaaaaRBsppt <header>[#aaaa NriaWUppp]		
84.	Bypass Restore (point > 254)	Printer: D6500 Mode: SIA Mode:	dd/dd tt:tt Lxx ACC aaaa BYPASS RESTORE +++ACC aaaa AREA=aa POINT=pppp hlrrlssssssaaaaaRBppppt <header>[#aaaa NriaaUUpppp]		
85.	Bypass Restore (point > 254) (Fire point)	Printer: D6500 Mode: SIA Mode:	dd/dd tt:tt Lxx ACC aaaa BYPASS RESTORE +++ACC aaaa FIRE POINT +++ACC aaaa AREA=aa POINT=pppp hlrrlssssssaaaaaRBppppt <header>[#aaaa NriaaFUpppp]		
86.	Bypass Restore (point > 254) (Supervisory point)	Printer: D6500 Mode: SIA Mode:	dd/dd tt:tt Lxx ACC aaaa BYPASS RESTORE +++ACC aaaa SUPERVISORY POINT +++ACC aaaa AREA=aa POINT=pppp hlrrlssssssaaaaaRBppppt <header>[#aaaa NriaaSUpppp]		
87.	Bypass Restore (point > 254) (Waterflow point)	Printer: D6500 Mode: SIA Mode:	dd/dd tt:tt Lxx ACC aaaa BYPASS RESTORE +++ACC aaaa WATERFLOW POINT +++ACC aaaa AREA=aa POINT=pppp hlrrlssssssaaaaaRBppppt <header>[#aaaa NriaaWUpppp]		

Table 92: Modem IIIa² Messages (continued)

	Event	Device/Mode	Display	Explanation	Refer to Section C.1 Zonex and Comex Translation on page 137.
88.	Bypass, Sked	Printer: D6500 Mode: SIA Mode:	dd/dd tt:tt Lxx ACC aaaa SKED BYPASS +++ ACC aaaa AREA=a POINT=ppp SKED=kk hrrrlssssssaaaaasNsppt <header>[#aaaa Nria/aikkUBppp]	The POINT in the AREA in the second line of the report is faulted, and was bypassed when the system was armed by the specified Sked.	
89.	Bypass, Swinger	Printer: D6500 Mode: SIA Mode:	dd/dd tt:tt Lxx ACC aaaa SWINGER BYPASS +++ ACC aaaa AREA=a POINT=ppp hrrrlssssssaaaaasNsppt <header>[#aaaa NriaUBppp]	The POINT in the AREA in the second line of the report (that was programmed for swinger bypass) is faulted, and was bypassed while the system was armed. If the point restores while the system is armed, it returns to the system, and is ready to detect faults.	
90.	Cancel	Printer: D6500 Mode: SIA Mode:	dd/dd tt:tt Lxx ACC aaaa CANCEL REPORT hrrrlssssssaaaaas\sssst <header>[#aaaa NOC]	A system in alarm was disarmed before the bell time expired. The specified point sends a Cancel Report for the alarmed area.	
91.	Cancel	Printer: D6500 Mode: SIA Mode:	dd/dd tt:tt Lxx ACC aaaa CANCEL ID i hrrrlssssssaaaaas\sssit <header>[#aaaa NOCi]		
92.	Cancel	Printer: D6500 Mode: SIA Mode:	dd/dd tt:tt Lxx ACC aaaa CANCEL ID iyy hrrrlssssssaaaaas\siyyt <header>[#aaaa NOCiyy]		
93.	Cancel Alarm	Printer: D6500 Mode: SIA Mode:	dd/dd tt:tt Lxx ACC aaaa CANCEL ALARM +++ ACC aaaa AREA=a ID=iii hrrrlssssssaaaaas\sssst <header>[#aaaa Nria/idiiiBC]	The system armed or disarmed with a passcode or COMMAND 1 reporting no User ID.	1.
94.	Cancel Alarm (Area Not Reported)	Printer: D6500 Mode: SIA Mode:	dd/dd tt:tt Lxx ACC aaaa CANCEL ALARM +++ ACC aaaa ID=iii hrrrlssssssaaaaas\sssst <header>[#aaaa NidiiiBC]	The system armed or disarmed with a passcode or COMMAND 1 reporting no User ID.	
95.	Cancel Alarm (Non-Fire)	Printer: D6500 Mode: SIA Mode:	dd/dd tt:tt Lxx ACC aaaa CANCEL ALARM +++ ACC aaaa AREA=a ID=iii hrrrlssssssaaaaas\siit <header>[#aaaa Nria/idiiiBC]	The system armed or disarmed with a passcode or COMMAND 1 reporting no User ID.	
96.	Cancel Alarm (Non-Fire)	Printer: D6500 Mode: SIA Mode:	dd/dd tt:tt Lxx ACC aaaa CANCEL ALARM +++ACC aaaa AREA=a hrrrlssssssaaaaas\sssst <header>[#aaaa NriaBC]		
97.	Cancel Alarm (Non-Fire) (users > 254)	Printer: D6500 Mode: SIA Mode:	dd/dd tt:tt Lxx ACC aaaa CANCEL ALARM +++ACC aaaa AREA=aa ID=iiii hrrrlssssssaaaaas\iiit <header>[#aaaa Nriaa/idiiiBC]		

Table 92: Modem IIIa² Messages (continued)

	Event	Device/Mode	Display	Explanation	Refer to Section C.1 Zonex and Comex Translation on page 137.
98.	Cancel Alarm by Area	Printer: D6500 Mode: SIA Mode:	dd/dd tt:tt Lxx ACC aaa CANCEL REPORT hlrrlssssssaaaaas\sssst <header>[#aaaa NOC]	A system in alarm was disarmed before the bell time expired. The specified point sends a Cancel Report for the alarmed area.	2, 9
99.	Cancel, Fire Alarm	Printer: D6500 Mode: SIA Mode:	dd/dd tt:tt Lxx ACC aaaa FIRE CANCEL +++ ACC aaaa AREA=a ID=iii hlrrlssssssaaaaas\siit <header>[#aaaa Nria/idiiiFC]		
100.	Card Assigned (By Programmer)	Printer: D6500 Mode: SIA Mode:	dd/dd tt:tt Lxx ACC aaaa CARD ASSIGNED +++ ACC aaaa BY PROGRAMMER +++ ACC aaaa CRD=iii-x SDI=ddd hlrrlssssssaaaaasNsD30t <header>[#aaaa NpiddDAiii] or <header>[#aaaa Npidd/ssxDAiii]		
101.	Card Assigned (By Programmer) (users > 254)	Printer: D6500 Mode: SIA Mode:	dd/dd tt:tt Lxx ACC aaaa CARD ASSIGNED +++ACC aaaa BY PROGRAMMER +++ACC aaaa CRD=iiii SDI=ddd hlrrlssssssaaaaasNsD30t <header>[#aaaa Npidd/DAiii]		
102.	Card Assigned (By Remote)	Printer: D6500 Mode: SIA Mode:	dd/dd tt:tt Lxx ACC aaaa CARD ASSIGNED +++ ACC aaaa BY REMOTE +++ ACC aaaa CRD=iii-x hlrrlssssssaaaaasNsD30t <header>[#aaaa NDAiii] or <header>[#aaaa NssxDAiii]		
103.	Card Assigned (By Remote) (users > 254)	Printer: D6500 Mode: SIA Mode:	dd/dd tt:tt Lxx ACC aaaa CARD ASSIGNED +++ACC aaaa BY REMOTE +++ACC aaaa CRD=iiii hlrrlssssssaaaaasNsD30t <header>[#aaaa NDAiii]		
104.	Card Assigned (By User)	Printer: D6500 Mode: SIA Mode:	dd/dd tt:tt Lxx ACC aaaa CARD ASSIGNED +++ ACC aaaa BY USER +++ ACC aaaa CRD=iii-x ID=iii hlrrlssssssaaaaasNsD30t <header>[#aaaa NidiiiDAiii] or <header>[#aaaa Nidiii/ssxDAiii]		
105.	Card Assigned (By User, User not identified)	Printer: D6500 Mode: SIA Mode:	dd/dd tt:tt Lxx ACC aaaa CARD ASSIGNED +++ACC aaaa BY USER hlrrlssssssaaaaasNsD30t <header>[#aaaa NDA]		
106.	Card Assigned (By User) (users > 254)	Printer: D6500 Mode: SIA Mode:	dd/dd tt:tt Lxx ACC aaaa CARD ASSIGNED +++ACC aaaa BY USER +++ACC aaaa CRD=iiii ID=iiii hlrrlssssssaaaaasNsD30t <header>[#aaaa NidiiiDAiii]		
107.	Card Deleted (By User, User not identified)	Printer: D6500 Mode: SIA Mode:	dd/dd tt:tt Lxx ACC aaaa CARD DELETED +++ACC aaaa BY USER hlrrlssssssaaaaasNsD31t <header>[#aaaa NDB]		
108.	Card Deleted (By User) (users > 254)	Printer: D6500 Mode: SIA Mode:	dd/dd tt:tt Lxx ACC aaaa CARD DELETED +++ACC aaaa BY USER +++ACC aaaa CRD=iiii ID=iiii hlrrlssssssaaaaasNsD31t <header>[#aaaa NidiiiDBiii]		

Table 92: Modem IIIa² Messages (continued)

	Event	Device/Mode	Display	Explanation	Refer to Section C.1 Zonex and Comex Translation on page 137.
109.	Card Deleted (By Programmer) (users > 254)	Printer: D6500 Mode: SIA Mode:	dd/dd tt:tt Lxx ACC aaaa CARD DELETED +++ACC aaaa BY PROGRAMMER +++ACC aaaa CRD=iiii SDI=ddd hlrrlssssssaaaaasNsD3lt <header>[#aaaa NpidddDBiiii]		
110.	Card Deleted (By Remote) (users > 254)	Printer: D6500 Mode: SIA Mode:	dd/dd tt:tt Lxx ACC aaaa CARD DELETED +++ACC aaaa BY REMOTE +++ACC aaaa CRD=iiii hlrrlssssssaaaaasNsD3lt <header>[#aaaa NDBiiii]		
111.	Card Restored	Printer: D6500 Mode: SIA Mode:	dd/dd tt:tt Lxx CARD RESTORED RCVR rr hlrrlssssssssssXsss8t <header>[NYE]		
112.	Card Troubled	Printer: D6500 Mode: SIA Mode:	dd/dd tt:tt Lxx CARD TROUBLED RCVR rr hlrrlssssssssssXsss7t <header>[NYD]		
113.	Change Of Status (C900 Battery Low)	Printer: D6500 Mode: SIA Mode:	dd/dd tt:tt Nll ACC aaaa STATUS CHANGED +++ aaaa C900 BATTERY LOW hlrrlssssssaaaaasXsss58t <header>[#aaaa NSC0002]		
114.	Checksum Fail	Printer: D6500 Mode: SIA Mode:	dd/dd tt:tt Lxx ACC aaaa CHECKSUM FAIL hlrrlssssssaaaaasAsD12t <header>[#aaaa NYX]	The program in the control panel is corrupt. Send service immediately.	
115.	Checksum Fail (SDI Device and Point reported)	Printer: D6500 Mode: SIA Mode:	dd/dd tt:tt Lxx ACC aaaa CHECKSUM FAIL +++ ACC aaaa POINT=ppp SDI=ddd hlrrlssssssaaaaasAspppt <header>[#aaaa NpidddYXppp]	The program in the control panel is corrupt. Send service immediately.	
116.	Closing	Printer: D6500 Mode: SIA Mode:	dd/dd tt:tt Lxx ACC aaaa CLOSING REPORT hlrrlssssssaaaaasCsssst <header>[#aaaa NCL]	The system armed or disarmed with a passcode or COMMAND 1 reporting no User ID.	
117.	Closing	Printer: D6500 Mode: SIA Mode:	dd/dd tt:tt Lxx ACC aaaa CLOSING ZN i hlrrlssssssaaaaasCsssit <header>[#aaaa NCLi]		
118.	Closing	Printer: D6500 Mode: SIA Mode:	dd/dd tt:tt Lxx ACC aaaa CLOSING ID i hlrrlssssssaaaaasCsssit <header>[#aaaa NCLi]		
119.	Closing	Printer: D6500 Mode: SIA Mode:	dd/dd tt:tt Lxx ACC aaaa CLOSING ID iyy hlrrlssssssaaaaasCsiyyt <header>[#aaaa NCLiyy]		
120.	Closing by Account	Printer: D6500 Mode: SIA Mode:	dd/dd tt:tt Lxx ACC aaaa CLOSING REPORT +++ ACC aaaa ID=iii hlrrlssssssaaaaasCsiit <header>[#aaaa NidiiiCL]	The system armed or disarmed with a passcode or COMMAND 1 reporting no User ID.	
121.	Closing by Account (area not reported)	Printer: D6500 Mode: SIA Mode:	dd/dd tt:tt Lxx ACC aaa CLOSING ZN i hlrrlssssssaaaaasCsssit <header>[#aaaa NCLi]		2, i = user id.
122.	Closing by Account	Printer: D6500 Mode: SIA Mode:	dd/dd tt:tt Lxx ACC aaaa CLOSING REPORT +++ ACC aaaa ID=iii hlrrlssssssaaaaasCsiit <header>[#aaaa NidiiiCL]	The system armed or disarmed with a passcode or COMMAND 1 reporting no User ID.	

Table 92: Modem IIIa² Messages (continued)

	Event	Device/Mode	Display	Explanation	Refer to Section C.1 Zonex and Comex Translation on page 137.
123.	Closing by Account (ID not reported) (area not reported)	Printer: D6500 Mode: SIA Mode:	dd/dd tt:tt Lxx ACC aaaa CLOSING REPORT hlrrlssssssaaaaaCcssst <header>[#aaaa NCL]	The system armed or disarmed with a passcode or COMMAND 1 reporting no User ID.	1, D7112
124.	Closing by Account (ID not reported)	Printer: D6500 Mode: SIA Mode:	dd/dd tt:tt Lxx ACC aaa CLOSING REPORT hlrrlssssssaaaaaCcssst <header>[#aaaa NCL]	The system armed or disarmed with a passcode or COMMAND 1 reporting no User ID.	2, D7112
125.	Closing by Area	Printer: D6500 Mode: SIA Mode:	dd/dd tt:tt Lxx ACC aaaa CLOSING REPORT +++ ACC aaaa AREA=a ID=iii hlrrlssssssaaaaaCsiiit <header>[#aaaa Nria/idiicL]	The system armed or disarmed with a passcode or COMMAND 1 reporting no User ID.	1.
126.	Closing by Area	Printer: D6500 Mode: SIA Mode:	dd/dd tt:tt Lxx ACC aaa CLOSING ZN z hlrrlssssssaaaaaCcsszt <header>[#aaaa NCLz]		2, z = area number
127.	Closing by Area	Printer: D6500 Mode: SIA Mode:	dd/dd tt:tt Lxx ACC aaaa CLOSING REPORT +++ACC aaaa AREA=a hlrrlssssssaaaaaCcssst <header>[#aaaa NriaCL]		
128.	Closing by Area (users > 254)	Printer: D6500 Mode: SIA Mode:	dd/dd tt:tt Lxx ACC aaaa CLOSING REPORT +++ACC aaaa AREA=aa ID=iii hlrrlssssssaaaaaCsiiit <header>[#aaaa Nriaa/idiicL]		
129.	Closing by Area (ID not reported)	Printer: D6500 Mode: SIA Mode:	dd/dd tt:tt Lxx ACC aaaa CLOSING REPORT +++ ACC aaaa AREA=a hlrrlssssssaaaaaCcssst <header>[#aaaa NriaCL]	The system armed or disarmed with a passcode or COMMAND 1 reporting no User ID.	1, D7112
130.	Closing Early By Account	Printer: D6500 Mode: SIA Mode:	dd/dd tt:tt Lxx ACC aaaa CLOSING EARLY +++ ACC aaaa ID=iii hlrrlssssssaaaaaCsiiit <header>[#aaaa NidiiicK]	A user with the ID in the second line of the report armed the AREA before the programmed closing time window.	1, D7112
131.	Closing Early by Account	Printer: D6500 Mode: SIA Mode:	dd/dd tt:tt Lxx ACC aaa CLOSING ZN i hlrrlssssssaaaaaCcssit <header>[#aaaa NCLi]		2, i = user id.
132.	Closing Early By Account (ID not reported)	Printer: D6500 Mode: SIA Mode:	dd/dd tt:tt Lxx ACC aaaa CLOSING EARLY hlrrlssssssaaaaaCcssst <header>[#aaaa NCK]	A user with the ID in the second line of the report armed the AREA before the programmed closing time window.	1, D7112
133.	Closing Early by Account (ID not reported)	Printer: D6500 Mode: SIA Mode:	dd/dd tt:tt Lxx ACC aaa CLOSING REPORT hlrrlssssssaaaaaCcssst <header>[#aaaa NCL]	The system armed or disarmed with a passcode or COMMAND 1 reporting no User ID.	2, D7112
134.	Closing Early By Area	Printer: D6500 Mode: SIA Mode:	dd/dd tt:tt Lxx ACC aaaa CLOSING EARLY +++ ACC aaaa AREA=a ID=iii hlrrlssssssaaaaaCsiiit <header>[#aaaa Nria/idiicK]	A user with the ID in the second line of the report has armed the AREA before the programmed closing time window.	1.

Table 92: Modem IIIa² Messages (continued)

	Event	Device/Mode	Display	Explanation	Refer to Section C.1 Zonex and Comex Translation on page 137.
135.	Closing Early By Area	Printer: D6500 Mode: SIA Mode:	dd/dd tt:tt Lxx ACC aaaa CLOSING EARLY +++ACC aaaa AREA=a hlrrlssssssaaaaasCsssst <header>[#aaaa NriaCK]		
136.	Closing Early by Area	Printer: D6500 Mode: SIA Mode:	dd/dd tt:tt Lxx ACC aaa CLOSING ZN z hlrrlssssssaaaaasCssszt <header>[#aaaa NCLz]		2, z = area number
137.	Closing Early By Area (ID not reported)	Printer: D6500 Mode: SIA Mode:	dd/dd tt:tt Lxx ACC aaaa CLOSING EARLY +++ ACC aaaa AREA=a hlrrlssssssaaaaasCsssst <area not reported> <header>[#aaaa NriaCK]	A user with the ID in the second line of the report armed the AREA before the programmed closing time window.	1, D7112
138.	Closing Early By Area (users > 254)	Printer: D6500 Mode: SIA Mode:	dd/dd tt:tt Lxx ACC aaaa CLOSING EARLY +++ACC aaaa AREA=aa ID=iiii hlrrlssssssaaaaasCiiiiit <header>[#aaaa Nriaa/idiiiiCK]		
139.	Closing Late by Account (area not reported)	Printer: D6500 Mode: SIA Mode:	dd/dd tt:tt Lxx ACC aaaa CLOSING LATE +++ ACC aaaa ID=iii hlrrlssssssaaaaasCsiiit <header>[#aaaa NidiiiCJ]	A user with the ID in the second line of the report armed the AREA after the programmed closing time window.	1, D7112
140.	Closing Late by Account	Printer: D6500 Mode: SIA Mode:	dd/dd tt:tt Lxx ACC aaa CLOSING ZN i hlrrlssssssaaaaasCsssit <header>[#aaaa NCLi]		2, i = user id
141.	Closing Late by Account (ID not reported)	Printer: D6500 Mode: SIA Mode:	dd/dd tt:tt Lxx ACC aaaa CLOSING LATE hlrrlssssssaaaaasCsssst <header>[#aaaa NCJ]	A user with the ID in the second line of the report armed the AREA after the programmed closing time window.	1, D7112
142.	Closing Late by Account (ID not reported)	Printer: D6500 Mode: SIA Mode:	dd/dd tt:tt Lxx ACC aaa CLOSING REPORT hlrrlssssssaaaaasCsssst <header>[#aaaa NCL]	The system armed or disarmed with a passcode or COMMAND 1 reporting no User ID.	2, D7112
143.	Closing Late by Area	Printer: D6500 Mode: SIA Mode:	dd/dd tt:tt Lxx ACC aaaa CLOSING LATE +++ ACC aaaa AREA=a ID=iii hlrrlssssssaaaaasCsiiit <header>[#aaaa Nria/idiiiiCJ]	A user with the ID in the second line of the report armed the AREA after the programmed closing time window.	1.
144.	Closing Late by Area	Printer: D6500 Mode: SIA Mode:	dd/dd tt:tt Lxx ACC aaa CLOSING ZN z hlrrlssssssaaaaasCssszt <header>[#aaaa NCLz]		2, z = area number
145.	Closing Late by Area	Printer: D6500 Mode: SIA Mode:	dd/dd tt:tt Lxx ACC aaaa CLOSING LATE +++ACC aaaa AREA=a hlrrlssssssaaaaasCsssst <header>[#aaaa NriaCJ]		
146.	Closing Late by Area (users > 254)	Printer: D6500 Mode: SIA Mode:	dd/dd tt:tt Lxx ACC aaaa CLOSING LATE +++ACC aaaa AREA=aa ID=iiii hlrrlssssssaaaaasCiiiiit <header>[#aaaa Nriaa/idiiiiCJ]		

Table 92: Modem IIIa² Messages (continued)

	Event	Device/Mode	Display	Explanation	Refer to Section C.1 Zonex and Comex Translation on page 137.
147.	Closing Late by Area (ID not reported)	Printer: D6500 Mode: SIA Mode:	dd/dd tt:tt Lxx ACC aaaa CLOSING LATE +++ ACC aaaa AREA=a hlrrlssssssaaaaaCsst <header>[#aaaa NriaCJ]	A user with the ID in the second line of the report armed the AREA after the programmed closing time window.	1, D7112
148.	Command Bypass	Printer: D6500 Mode: SIA Mode:	dd/dd tt:tt Lxx ACC aaaa COMMAND BYPASS +++ ACC aaaa AREA=a POINT=ppp ID=iii hlrrlssssssaaaaaNsppt <header>[#aaaa Nria/idiiiUBppp]		1.
149.	Command Bypass	Printer: D6500 Mode: SIA Mode:	dd/dd tt:tt Lxx ACC aaa TROUBLE ZN z hlrrlssssssaaaaaTsst <header>[#aaaa NBTz]		9, D9112
150.	Command Bypass (point < 255, user > 254)	Printer: D6500 Mode: SIA Mode:	dd/dd tt:tt Lxx ACC aaaa COMMAND BYPASS +++ACC aaaa AREA=a ID=iiii POINT=ppp hlrrlssssssaaaaaNsppt <header>[#aaaa Nria/idiiiUBppp]		
151.	Command Bypass (point > 254, user < 255)	Printer: D6500 Mode: SIA Mode:	dd/dd tt:tt Lxx ACC aaaa COMMAND BYPASS +++ACC aaaa AREA=aa ID=iii POINT=pppp hlrrlssssssaaaaaNsppt <header>[#aaaa Nria/idiiiUBpppp]		
152.	Comm Fail	Printer: D6500 Mode: SIA Mode:	dd/dd tt:tt Lxx ACC aaaa COMM FAIL +++ ACC aaaa PHONE#=h hlrrlssssssaaaaaTsB0lt <header>[#aaaa NphhYC]		
153.	Comm Fail (SDI Device not reported)	Printer: D6500 Mode: SIA Mode:	dd/dd tt:tt Lxx ACC aaaa COMM FAIL +++ ACC aaaa RG=g hlrrlssssssaaaaaTsB0lt <header>[#aaaa NrggYC]		
154.	Comm Restoral	Printer: D6500 Mode: SIA Mode:	dd/dd tt:tt Lxx ACC aaaa COMM RESTORAL +++ ACC aaaa PHONE#=h hlrrlssssssaaaaaNsB0lt <header>[#aaaa NphhYK]	The PHONE# specified in the second line of the report was restored.	
155.	Comm Restoral (SDI Device not reported)	Printer: D6500 Mode: SIA Mode:	dd/dd tt:tt Lxx ACC aaaa COMM RESTORAL +++ ACC aaaa RG=g hlrrlssssssaaaaaNsB0lt <header>[#aaaa NrggYK]	The PHONE# specified in the second line of the report was restored.	
156.	Communications Fail (2212/9112)	Printer: D6500 Mode: SIA Mode:	dd/dd tt:tt Lxx ACC aaaa COMM FAIL +++ACC aaaa PH#=hh hlrrlssssssaaaaaTsB0lt <header>[#aaaa NphhhYC]		
157.	Communications Trouble	Printer: D6500 Mode: SIA Mode:	dd/dd tt:tt Lxx ACC aaaa COMM TROUBLE +++ACC aaaa PH#=hh hlrrlssssssaaaaaTsB0lt <header>[#aaaa NphhhYS]		
158.	Communications Trouble (Route Group and SDI Device# reported)	Printer: D6500 Mode: SIA Mode:	dd/dd tt:tt Lxx ACC aaaa COMM TROUBLE +++ACC aaaa RG=g SDI=ddd hlrrlssssssaaaaaTsB0lt <header>[#aaaa Nrgg/pidddYS]		
159.	Communications Trouble Restoral	Printer: D6500 Mode: SIA Mode:	dd/dd tt:tt Lxx ACC aaaa COMM TRBL RESTR +++ACC aaaa PH#=hh hlrrlssssssaaaaaNsB0lt <header>[#aaaa NphhhYK]		

Table 92: Modem IIIa² Messages (continued)

	Event	Device/Mode	Display	Explanation	Refer to Section C.1 Zonex and Comex Translation on page 137.
160.	Communications Trouble Restoral (Route Group and SDI Device# reported)	Printer: D6500 Mode: SIA Mode:	dd/dd tt:tt Lxx ACC aaaa COMM TRBL RESTR +++ACC aaaa RG=g SDI=ddd hlrrlssssssaaaaasNsB01t <header>[#aaaa Nrgg/pidddYK]		
161.	Computer Error	Printer: D6500 Mode: SIA Mode:	dd/dd tt:tt Lxx COMPUTER ERROR hlrr0ssssssssssXss30t <header>[NYC]	Indicates a complete loss of communication between receiver and automation system.	
162.	Computer Restore	Printer: D6500 Mode: SIA Mode:	dd/dd tt:tt Lxx COMPUTER RESTORE hlrr0ssssssssssXss32t <header>[NYK]	Indicates that communication between the receiver and the automation system was restored.	
163.	Computer Trouble	Printer: D6500 Mode: SIA Mode:	dd/dd tt:tt Lxx COMPUTER TROUBLE hlrr0ssssssssssXss31t <header>[NYS]	Indicates that an automation message was rejected by the automation software.	
164.	Create Status Report	Printer: D6500 Mode: SIA Mode:	dd/dd tt:tt Lxx ACC aaaa STATUS REPORT hlrrlssssssaaaaasSsssst <header>[#aaaa NYY]	Indicates that the next report is an Account Status Report.	
165.	Custom Function (Custom Function Initiated)	Printer: D6500 Mode: SIA Mode:	dd/dd tt:tt Lxx ACC aaaa CUSTOM FUNCTION +++ACC aaaa BY CUSTOM FUNCTION +++ACC aaaa CUST.FX=fff AREA=aa ICF=fff hlrrlssssssaaaaasNsD39t <header>[#aaaa Nriaa/cffffCXfff]		
166.	Custom Function (Sked Initiated)	Printer: D6500 Mode: SIA Mode:	dd/dd tt:tt Lxx ACC aaaa CUSTOM FUNCTION +++ACC aaaa BY SKED +++ACC aaaa CUST.FX=fff AREA=aa SKED=kkk hlrrlssssssaaaaasNsD39t <header>[#aaaa Nriaa/aikkkCXfff]		
167.	Custom Function (users < 255) (User Initiated)	Printer: D6500 Mode: SIA Mode:	dd/dd tt:tt Lxx ACC aaaa CUSTOM FUNCTION +++ACC aaaa BY USER +++ACC aaaa CUST.FX=fff AREA=aa ID=iii hlrrlssssssaaaaasNsD39t <header>[#aaaa Nriaa/idiiiCXfff]		
168.	Custom Function (users > 254) (User Initiated)	Printer: D6500 Mode: SIA Mode:	dd/dd tt:tt Lxx ACC aaaa CUSTOM FUNCTION +++ACC aaaa BY USER +++ACC aaaa CUST.FX=fff AREA=aa ID=iiii hlrrlssssssaaaaasNsD39t <header>[#aaaa Nriaa/idiiiiCXfff]		
169.	Custom Function (User Initiated, User not identified)	Printer: D6500 Mode: SIA Mode:	dd/dd tt:tt Lxx ACC aaaa CUSTOM FUNCTION +++ACC aaaa BY USER +++ACC aaaa CUST.FX=fff AREA=aa hlrrlssssssaaaaasNsD39t <header>[#aaaa NriaaCXfff]		
170.	Date Changed	Printer: D6500 Mode: SIA Mode:	dd/dd tt:tt Lxx ACC aaaa DATE CHANGED +++ ACC aaaa ID= iii hlrrlssssssaaaaasNsD07t <header>[#aaaa NidiiiJD]	The user changed the control panel date or time with the ID specified in the second line of the report.	D9112
171.	Date Changed	Printer: D6500 Mode: SIA Mode:	dd/dd tt:tt Lxx ACC aaaa DATE CHANGED +++ ACC aaaa ID=iii hlrrlssssssaaaaasNsD07t <header>[#aaaa NidiiiJD]	The user changed the control panel date or time with the ID specified in the second line of the report.	

Table 92: Modem IIIa² Messages (continued)

	Event	Device/Mode	Display	Explanation	Refer to Section C.1 Zonex and Comex Translation on page 137.
172.	Date Changed	Printer: D6500 Mode: SIA Mode:	dd/dd tt:tt Lxx ACC aaaa DATE CHANGED hlrrlssssssaaaaasNsD07t <header>[#aaaa NJD]		
173.	Date Changed (users > 254)	Printer: D6500 Mode: SIA Mode:	dd/dd tt:tt Lxx ACC aaaa DATE CHANGED +++ACC aaaa ID=iiii hlrrlssssssaaaaasNsD07t <header>[#aaaa NidiiiiJD]		
174.	Diagnostic	Printer: D6500 Mode: SIA Mode:	dd/dd tt:tt Lxx ACC aaaa DIAG REPORT hlrrlssssssaaaaasYsssst <header>[#aaaa NYX]	A Command 42 was entered at a keypad to send a diagnostic report. No service conditions in trouble memory to report.	
175.	Diagnostic	Printer: D6500 Mode: SIA Mode:	dd/dd tt:tt Lxx ACC aaaa DIAG ZN z hlrrlssssssaaaaasYssszt <header>[#aaaa NYXz]		
176.	Door Closed, Restoral	Printer: D6500 Mode: SIA Mode:	dd/dd tt:tt Lxx ACC aaaa REST-DR CLOSED +++ ACC aaaa AREA=a POINT=ppp hlrrlssssssaaaaasRsppt <header>[#aaaa NriaDHppp]		
177.	Door Cycled	Printer: D6500 Mode: SIA Mode:	dd/dd tt:tt Lxx ACC aaaa DOOR CYCLED +++ ACC aaaa AREA=a POINT=ppp hlrrlssssssaaaaaAGsppt <header>[#aaaa NriaDGppp]		
178.	Door Cycled (By User)	Printer: D6500 Mode: SIA Mode:	dd/dd tt:tt Lxx ACC aaaa DOOR CYCLED +++ ACC aaaa BY USER +++ ACC aaaa AREA=a ID=iii POINT=ppp hlrrlssssssaaaaaAGsppt <header>[#aaaa Nria/idiiiDGppp]		
179.	Door Cycled (By Programmer) (points > 254)	Printer: D6500 Mode: SIA Mode:	dd/dd tt:tt Lxx ACC aaaa DOOR CYCLED +++ACC aaaa BY PROGRAMMER +++ACC aaaa AREA=aa POINT=pppp SDI=ddd hlrrlssssssaaaaaAGpppt <header>[#aaaa Nriaa/piddDGppp]		
180.	Door Cycled (By Remote) (points > 254)	Printer: D6500 Mode: SIA Mode:	dd/dd tt:tt Lxx ACC aaaa DOOR CYCLED +++ACC aaaa BY REMOTE +++ACC aaaa AREA=aa POINT=pppp hlrrlssssssaaaaaAGpppt <header>[#aaaa NriaaDGpppp]		
181.	Door Cycled (By User) (points < 255, users > 254)	Printer: D6500 Mode: SIA Mode:	dd/dd tt:tt Lxx ACC aaaa DOOR CYCLED +++ACC aaaa BY USER +++ACC aaaa AREA=a ID=iiii POINT=ppp hlrrlssssssaaaaaAGsppt <header>[#aaaa Nria/idiiiDGppp]		The Modifier “/ssx” refers to the Data Type Address, not the Modifiers “idiii,” or “pidd”
182.	Door Cycled (By User) (points > 254, users < 255)	Printer: D6500 Mode: SIA Mode:	dd/dd tt:tt Lxx ACC aaaa DOOR CYCLED +++ACC aaaa BY USER +++ACC aaaa AREA=aa ID=iii POINT=pppp hlrrlssssssaaaaaAGpppt <header>[#aaaa Nriaa/idiiiDGpppp]		
183.	Door Cycled (By User) (points > 254, users > 254)	Printer: D6500 Mode: SIA Mode:	dd/dd tt:tt Lxx ACC aaaa DOOR CYCLED +++ACC aaaa BY USER +++ACC aaaa AREA=aa ID=iiii POINT=pppp hlrrlssssssaaaaaAGppptv <header>[#aaaa Nriaa/idiiiDGpppp]		
184.	Door Cycled (By User, User not identified) (points < 255)	Printer: D6500 Mode: SIA Mode:	dd/dd tt:tt Lxx ACC aaaa DOOR CYCLED +++ACC aaaa BY USER +++ACC aaaa AREA=a POINT=ppp hlrrlssssssaaaaaAGsppt <header>[#aaaa NriaDGppp]		

Table 92: Modem IIIa² Messages (continued)

	Event	Device/Mode	Display	Explanation	Refer to Section C.1 Zonex and Comex Translation on page 137.
185.	Door Cycled (By User, User not identified) (points > 254)	Printer: D6500 Mode: SIA Mode:	dd/dd tt:tt Lxx ACC aaaa DOOR CYCLED +++ACC aaaa BY USER +++ACC aaaa AREA=aa POINT=pppp hlrrlssssssaaaaAGppppt <header>[#aaaa NriaaDGpppp]		
186.	Door Cycled (points > 254)	Printer: D6500 Mode: SIA Mode:	dd/dd tt:tt Lxx ACC aaaa DOOR CYCLED +++ACC aaaa AREA=aa POINT=pppp hlrrlssssssaaaaAGppppt <header>[#aaaa NriaaDGpppp]		
187.	Door Left Open	Printer: D6500 Mode: SIA Mode:	dd/dd tt:tt Lxx ACC aaaa DOOR LFT OPN +++ ACC aaaa AREA=a POINT=ppp hlrrlssssssaaaaAOspppt <header>[#aaaa NriadNppp]		
188.	Door Left Open (points > 254)	Printer: D6500 Mode: SIA Mode:	dd/dd tt:tt Lxx ACC aaaa DOOR LEFT OPEN +++ACC aaaa AREA=aa POINT=pppp hlrrlssssssaaaaAOppppt <header>[#aaaa NriadNpppp]		
189.	Door Left Open (Point text reported)	Printer: D6500 Mode: SIA Mode:	dd/dd tt:tt Lxx ACC aaaa DOOR LFT OPN +++ ACC aaaa AREA=a POINT=ppp +++ ACC aaaa (ptext) hlrrlssssssaaaaAOspppt <header>[#aaaa NriadNppp]		
190.	Door Left Open, Alarm	Printer: D6500 Mode: SIA Mode:	dd/dd tt:tt Lxx ACC aaaa ALRM-DR LFT OPN +++ ACC aaaa AREA=a POINT=ppp hlrrlssssssaaaaAspppt <header>[#aaaa NriadLppp]		
191.	Door Left Open, Alarm (points > 254)	Printer: D6500 Mode: SIA Mode:	dd/dd tt:tt Lxx ACC aaaa ALRM-DR LFT OPN +++ACC aaaa AREA=aa POINT=pppp hlrrlssssssaaaaAspppt <header>[#aaaa NriadLpppp]		
192.	Door Left Open, Alarm (Text reported)	Printer: D6500 Mode: SIA Mode:	dd/dd tt:tt Lxx ACC aaaa ALRM-DR LFT OPN +++ ACC aaaa AREA=a POINT=ppp +++ ACC aaaa (text) hlrrlssssssaaaaAspppt <header>[#aaaa NriadLppp]		
193.	Door Left Open, Alarm (Point text and User Name reported)	Printer: D6500 Mode: SIA Mode:	dd/dd tt:tt Lxx ACC aaaa ALRM-DR LFT OPN +++ ACC aaaa AREA=a POINT=ppp +++ ACC aaaa (ptext) +++ ACC aaaa (uname) hlrrlssssssaaaaAspppt <header>[#aaaa NriadLppp]		
194.	Door Left Open, Trouble	Printer: D6500 Mode: SIA Mode:	dd/dd tt:tt Lxx ACC aaaa TRBL-DR LFT OPN +++ ACC aaaa AREA=a POINT=ppp hlrrlssssssaaaaasTspppt <header>[#aaaa NriadLppp]		
195.	Door Left Open, Trouble (Text reported)	Printer: D6500 Mode: SIA Mode:	dd/dd tt:tt Lxx ACC aaaa TRBL-DR LFT OPN +++ ACC aaaa AREA=a POINT=ppp +++ ACC aaaa (text) hlrrlssssssaaaaasTspppt <header>[#aaaa NriadMppp]		
196.	Door Left Open, Trouble (Point text and User name reported)	Printer: D6500 Mode: SIA Mode:	dd/dd tt:tt Lxx ACC aaaa TRBL-DR LFT OPN +++ ACC aaaa AREA=a POINT=ppp +++ ACC aaaa (text) +++ ACC aaaa (uname) hlrrlssssssaaaaasTspppt <header>[#aaaa NriadMppp]		

Table 92: Modem IIIa² Messages (continued)

	Event	Device/Mode	Display	Explanation	Refer to Section C.1 Zonex and Comex Translation on page 137.
197.	Door Locked	Printer: D6500 Mode: SIA Mode:	dd/dd tt:tt Lxx ACC aaaa DOOR LOCKED +++ ACC aaaa AREA=a POINT=ppp hlrrlssssssaaaaALppp <header>[#aaaa NriADYLpp]		
198.	Door Locked (Automatic)	Printer: D6500 Mode: SIA Mode:	dd/dd tt:tt Lxx ACC aaaa DOOR LOCKED +++ ACC aaaa AUTOMATIC +++ ACC aaaa AREA=a POINT=ppp hlrrlssssssaaaaALppp <header>[#aaaa NriADYppp]		
199.	Door Locked (Automatic) (points > 254)	Printer: D6500 Mode: SIA Mode:	dd/dd tt:tt Lxx ACC aaaa DOOR LOCKED +++ACC aaaa AUTOMATIC +++ACC aaaa AREA=aa POINT=pppp hlrrlssssssaaaaALppp <header>[#aaaa NriADYpppp]		
200.	Door Locked (By Programmer) (points > 254)	Printer: D6500 Mode: SIA Mode:	dd/dd tt:tt Lxx ACC aaaa DOOR LOCKED +++ACC aaaa BY PROGRAMMER +++ACC aaaa AREA=aa POINT=pppp SDI=ddd hlrrlssssssaaaaALppp <header>[#aaaa Nriaa/piddDYpppp]		
201.	Door Locked (By Remote) (points > 254)	Printer: D6500 Mode: SIA Mode:	dd/dd tt:tt Lxx ACC aaaa DOOR LOCKED +++ACC aaaa BY REMOTE +++ACC aaaa AREA=aa POINT=pppp hlrrlssssssaaaaALppp <header>[#aaaa NriADYpppp]		
202.	Door Locked (By Sked) (points > 254)	Printer: D6500 Mode: SIA Mode:	dd/dd tt:tt Lxx ACC aaaa DOOR LOCKED +++ACC aaaa BY SKED +++ACC aaaa AREA=aa POINT=pppp SKED=kkk hlrrlssssssaaaaALppp <header>[#aaaa Nriaa/aikkDYpppp]		
203.	Door Locked (By User)	Printer: D6500 Mode: SIA Mode:	dd/dd tt:tt Lxx ACC aaaa DOOR LOCKED +++ ACC aaaa BY USER +++ ACC aaaa AREA=a ID=iii POINT=ppp hlrrlssssssaaaaALppp <header>[#aaaa Nria/idiiiDYppp]		
204.	Door Locked (By User) (points > 254, users < 255)	Printer: D6500 Mode: SIA Mode:	dd/dd tt:tt Lxx ACC aaaa DOOR LOCKED +++ACC aaaa BY USER +++ACC aaaa AREA=aa ID=iii POINT=pppp hlrrlssssssaaaaALppp <header>[#aaaa Nriaa/idiiiDYpppp]		
205.	Door Locked (By User) (points > 254, users > 254)	Printer: D6500 Mode: SIA Mode:	dd/dd tt:tt Lxx ACC aaaa DOOR LOCKED +++ACC aaaa BY USER +++ACC aaaa AREA=aa ID=iii POINT=pppp hlrrlssssssaaaaALppp <header>[#aaaa Nriaa/idiiiDYpppp]		
206.	Door Locked (By User, User not identified) (points < 255)	Printer: D6500 Mode: SIA Mode:	dd/dd tt:tt Lxx ACC aaaa DOOR LOCKED +++ACC aaaa BY USER +++ACC aaaa AREA=a POINT=ppp hlrrlssssssaaaaALppp <header>[#aaaa NriADYppp]		
207.	Door Locked (By User, User not identified) (points > 254)	Printer: D6500 Mode: SIA Mode:	dd/dd tt:tt Lxx ACC aaaa DOOR LOCKED +++ACC aaaa BY USER +++ACC aaaa AREA=aa POINT=pppp hlrrlssssssaaaaALppp <header>[#aaaa NriADYpppp]		
208.	Door Locked (points > 254)	Printer: D6500 Mode: SIA Mode:	dd/dd tt:tt Lxx ACC aaaa DOOR LOCKED +++ACC aaaa AREA=aa POINT=pppp hlrrlssssssaaaaALppp <header>[#aaaa NriADYpppp]		

Table 92: Modem IIIa² Messages (continued)

	Event	Device/Mode	Display	Explanation	Refer to Section C.1 Zonex and Comex Translation on page 137.
209.	Door Request (Request to Enter) (points > 254)	Printer: D6500 Mode: SIA Mode:	dd/dd tt:tt Lxx ACC aaaa REQUEST TO ENTR +++ACC aaaa AREA=aa POINT=pppp h1rrlssssssaaaaAGppppt <header>[#aaaa NriaaDEpppp]		
210.	Door Request (Request to Exit) (points > 254)	Printer: D6500 Mode: SIA Mode:	dd/dd tt:tt Lxx ACC aaaa REQUEST TO EXIT +++ACC aaaa AREA=aa POINT=pppp h1rrlssssssaaaaAGppppt <header>[#aaaa NriaaDXpppp]		
211.	Door Request (REX)	Printer: D6500 Mode: SIA Mode:	dd/dd tt:tt Lxx ACC aaaa REQUEST TO EXIT +++ ACC aaaa AREA=a POINT=ppp h1rrlssssssaaaaAGsppt <header>[#aaaa NriADXppp]		
212.	Door Request (REX, Denied) (Interlock Deny)	Printer: D6500 Mode: SIA Mode:	dd/dd tt:tt Lxx ACC aaaa REQUEST TO EXIT +++ ACC aaaa DENIED-INTERLOCK +++ ACC aaaa AREA=a POINT=ppp h1rrlssssssaaaaADsppt <header>[#aaaa NriADKppp]		
213.	Door Request (REX, Denied) (Door Secured)	Printer: D6500 Mode: SIA Mode:	dd/dd tt:tt Lxx ACC aaaa REQUEST TO EXIT +++ ACC aaaa DENIED-DOOR SECURED +++ ACC aaaa AREA=a POINT=ppp h1rrlssssssaaaaADsppt <header>[#aaaa NriADKppp]		
214.	Door Request (RTE)	Printer: D6500 Mode: SIA Mode:	dd/dd tt:tt Lxx ACC aaaa REQUEST TO ENTR +++ ACC aaaa AREA=a POINT=ppp h1rrlssssssaaaaAGsppt <header>[#aaaa NriADEppp]		
215.	Door Request (RTE, Denied) (Door Secured) (points > 254)	Printer: D6500 Mode: SIA Mode:	dd/dd tt:tt Lxx ACC aaaa REQUEST TO ENTR +++ACC aaaa DENIED-DOOR SECURED +++ACC aaaa AREA=aa POINT=pppp h1rrlssssssaaaaADppppt <header>[#aaaa NriaaDKpppp]		
216.	Door Request (RTE, Denied) (Interlock Deny) (points > 254)	Printer: D6500 Mode: SIA Mode:	dd/dd tt:tt Lxx ACC aaaa REQUEST TO ENTR +++ACC aaaa DENIED-INTERLOCK +++ACC aaaa AREA=aa POINT=pppp h1rrlssssssaaaaADppppt <header>[#aaaa NriaaDKpppp]		
217.	Door Request (RTX, Denied) (Door Secured) (points > 254)	Printer: D6500 Mode: SIA Mode:	dd/dd tt:tt Lxx ACC aaaa REQUEST TO EXIT +++ACC aaaa DENIED-DOOR SECURED +++ACC aaaa AREA=aa POINT=pppp h1rrlssssssaaaaADppppt <header>[#aaaa NriaaDKpppp]		
218.	Door Request (RTX, Denied) (Interlock Deny) (points > 254)	Printer: D6500 Mode: SIA Mode:	dd/dd tt:tt Lxx ACC aaaa REQUEST TO EXIT +++ACC aaaa DENIED-INTERLOCK +++ACC aaaa AREA=aa POINT=pppp h1rrlssssssaaaaADppppt <header>[#aaaa NriaaDKpppp]		
219.	Door Secured	Printer: D6500 Mode: SIA Mode:	dd/dd tt:tt Lxx ACC aaaa DOOR SECURED +++ ACC aaaa AREA=a POINT=ppp h1rrlssssssaaaaASppppt <header>[#aaaa NriADCppp]		
220.	Door Secured (Automatic)	Printer: D6500 Mode: SIA Mode:	dd/dd tt:tt Lxx ACC aaaa DOOR SECURED +++ ACC aaaa AUTOMATIC +++ ACC aaaa AREA=a POINT=ppp h1rrlssssssaaaaASppppt <header>[#aaaa NriADCppp]		

Table 92: Modem IIIa² Messages (continued)

	Event	Device/Mode	Display	Explanation	Refer to Section C.1 Zonex and Comex Translation on page 137.
221.	Door Secured (Automatic) (points > 254)	Printer: D6500 Mode: SIA Mode:	dd/dd tt:tt Lxx ACC aaaa DOOR SECURED +++ACC aaaa AUTOMATIC +++ACC aaaa AREA=aa POINT=pppp hlrrlssssssaaaaASppppt <header>[#aaaa NriaaDCpppp]		
222.	Door Secured (By Programmer) (points > 254)	Printer: D6500 Mode: SIA Mode:	dd/dd tt:tt Lxx ACC aaaa DOOR SECURED +++ACC aaaa BY PROGRAMMER +++ACC aaaa AREA=aa POINT=pppp SDI=ddd hlrrlssssssaaaaASppppt <header>[#aaaa Nriaa/piddDCpppp]		
223.	Door Secured (By Remote) (points > 254)	Printer: D6500 Mode: SIA Mode:	dd/dd tt:tt Lxx ACC aaaa DOOR SECURED +++ACC aaaa BY REMOTE +++ACC aaaa AREA=aa POINT=pppp hlrrlssssssaaaaASppppt <header>[#aaaa NriaaDCpppp]		
224.	Door Secured (By Sked) (points > 254)	Printer: D6500 Mode: SIA Mode:	dd/dd tt:tt Lxx ACC aaaa DOOR SECURED +++ACC aaaa BY SKED +++ACC aaaa AREA=aa POINT=pppp SKED=kkk hlrrlssssssaaaaASppppt <header>[#aaaa Nriaa/aikkkDCpppp]		
225.	Door Secured (By User)	Printer: D6500 Mode: SIA Mode:	dd/dd tt:tt Lxx ACC aaaa DOOR SECURED +++ ACC aaaa BY USER +++ ACC aaaa AREA=a ID-iii POINT=ppp hlrrlssssssaaaaASppppt <header>[#aaaa Nria/idiiiDCppp]		
226.	Door Secured (By User) (points <255, users > 254)	Printer: D6500 Mode: SIA Mode:	dd/dd tt:tt Lxx ACC aaaa DOOR SECURED +++ACC aaaa BY USER +++ACC aaaa AREA=a ID=iiii POINT=ppp hlrrlssssssaaaaASppppt <header>[#aaaa Nria/idiiiiDCppp]		
227.	Door Secured (By User) (points > 254, users < 255)	Printer: D6500 Mode: SIA Mode:	dd/dd tt:tt Lxx ACC aaaa DOOR SECURED +++ACC aaaa BY USER +++ACC aaaa AREA=a ID=iii POINT=pppp hlrrlssssssaaaaASppppt <header>[#aaaa Nriaa/idiiiDCpppp]		
228.	Door Secured (By User) (points > 254, users > 254)	Printer: D6500 Mode: SIA Mode:	dd/dd tt:tt Lxx ACC aaaa DOOR SECURED +++ACC aaaa BY USER +++ACC aaaa AREA=a ID=iiii POINT=pppp hlrrlssssssaaaaASppppt <header>[#aaaa Nriaa/idiiiiDCpppp]		
229.	Door Secured (By User, User not identified) (points < 255)	Printer: D6500 Mode: SIA Mode:	dd/dd tt:tt Lxx ACC aaaa DOOR SECURED +++ACC aaaa BY USER +++ACC aaaa AREA=a POINT=ppp hlrrlssssssaaaaASppppt <header>[#aaaa NriaDCppp]		
230.	Door Secured (By User, User not identified) (points > 254)	Printer: D6500 Mode: SIA Mode:	dd/dd tt:tt Lxx ACC aaaa DOOR SECURED +++ACC aaaa BY USER +++ACC aaaa AREA=aa POINT=pppp hlrrlssssssaaaaASppppt <header>[#aaaa NriaaDCpppp]		
231.	Door Secured (points > 254)	Printer: D6500 Mode: SIA Mode:	dd/dd tt:tt Lxx ACC aaaa DOOR SECURED +++ACC aaaa AREA=aa POINT=pppp hlrrlssssssaaaaASppppt <header>[#aaaa NriaaDCpppp]		
232.	Door Unlocked	Printer: D6500 Mode: SIA Mode:	dd/dd tt:tt Lxx ACC aaaa DOOR UNLOCKED +++ ACC aaaa AREA=a POINT=ppp hlrrlssssssaaaaAUsppt <header>[#aaaa NriaDQppp]		

Table 92: Modem IIIa² Messages (continued)

	Event	Device/Mode	Display	Explanation	Refer to Section C.1 Zonex and Comex Translation on page 137.
233.	Door Unlocked (Automatic)	Printer: D6500 Mode: SIA Mode:	dd/dd tt:tt Lxx ACC aaaa DOOR UNLOCKED +++ ACC aaaa AUTOMATIC +++ ACC aaaa AREA=a POINT=ppp hlrrlssssssaaaaAUsppt <header>[#aaaa NriaDOppp]		
234.	Door Unlocked (By User)	Printer: D6500 Mode: SIA Mode:	dd/dd tt:tt Lxx ACC aaaa DOOR UNLOCKED +++ ACC aaaa BY USER +++ ACC aaaa AREA=a ID=iii POINT=ppp hlrrlssssssaaaaAUsppt <header>[#aaaa Nria/idiiiDOppp]		
235.	Door Unlocked (Automatic) (points > 254)	Printer: D6500 Mode: SIA Mode:	dd/dd tt:tt Lxx ACC aaaa DOOR UNLOCKED +++ACC aaaa AUTOMATIC +++ACC aaaa AREA=aa POINT=pppp hlrrlssssssaaaaAUppppt <header>[#aaaa NriaaDOpppp]		
236.	Door Unlocked (By Programmer) (points > 254)	Printer: D6500 Mode: SIA Mode:	dd/dd tt:tt Lxx ACC aaaa DOOR UNLOCKED +++ACC aaaa BY PROGRAMMER +++ACC aaaa AREA=aa POINT=pppp SDI=ddd hlrrlssssssaaaaAUppppt <header>[#aaaa Nriaa/pidddOpppp]		
237.	Door Unlocked (By Remote) (points > 254)	Printer: D6500 Mode: SIA Mode:	dd/dd tt:tt Lxx ACC aaaa DOOR UNLOCKED +++ACC aaaa BY REMOTE +++ACC aaaa AREA=aa POINT=pppp hlrrlssssssaaaaAUppppt <header>[#aaaa NriaaDOpppp]		
238.	Door Unlocked (By Sked) (points > 254)	Printer: D6500 Mode: SIA Mode:	dd/dd tt:tt Lxx ACC aaaa DOOR UNLOCKED +++ACC aaaa BY SKED +++ACC aaaa AREA=aa POINT=pppp SKED=kkk hlrrlssssssaaaaAUppppt <header>[#aaaa Nriaa/aikkDOpppp]		
239.	Door Unlocked (By User) (points < 255, users > 254)	Printer: D6500 Mode: SIA Mode:	dd/dd tt:tt Lxx ACC aaaa DOOR UNLOCKED +++ACC aaaa BY USER +++ACC aaaa AREA=a ID=iiii POINT=ppp hlrrlssssssaaaaAUsppt <header>[#aaaa Nria/idiiiDOppp]		
240.	Door Unlocked (By User) (points > 254, users < 255)	Printer: D6500 Mode: SIA Mode:	dd/dd tt:tt Lxx ACC aaaa DOOR UNLOCKED +++ACC aaaa BY USER +++ACC aaaa AREA=aa ID=iii POINT=pppp hlrrlssssssaaaaAUppppt <header>[#aaaa Nriaa/idiiiDOpppp]		
241.	Door Unlocked (By User) (points > 254, users > 254)	Printer: D6500 Mode: SIA Mode:	dd/dd tt:tt Lxx ACC aaaa DOOR UNLOCKED +++ACC aaaa BY USER +++ACC aaaa AREA=aa ID=iiii POINT=pppp hlrrlssssssaaaaAUppppt <header>[#aaaa Nriaa/idiiiDOpppp]		
242.	Door Unlocked (By User, User not identified) (points > 254)	Printer: D6500 Mode: SIA Mode:	dd/dd tt:tt Lxx ACC aaaa DOOR UNLOCKED +++ACC aaaa BY USER +++ACC aaaa AREA=aa POINT=pppp hlrrlssssssaaaaAUppppt <header>[#aaaa NriaaDOpppp]		
243.	Door Unlocked (By User) (points > 254)	Printer: D6500 Mode: SIA Mode:	dd/dd tt:tt Lxx ACC aaaa DOOR UNLOCKED +++ACC aaaa AREA=aa POINT=pppp hlrrlssssssaaaaAUppppt <header>[#aaaa NriaaDOpppp]		

Table 92: Modem IIIa² Messages (continued)

	Event	Device/Mode	Display	Explanation	Refer to Section C.1 Zonex and Comex Translation on page 137.
244.	Duress	Printer: D6500 Mode: SIA Mode:	dd/dd tt:tt Lxx ACC aaaa DURESS +++ ACC aaaa AREA=a ID=iii hlrrlssssssaaaaasDsiiit <header>[#aaaa Nria/idiiiHA]	A user with the ID in the second line of the report initiated a duress from a keypad located in the AREA in the second line of the report.	1.
245.	Duress	Printer: D6500 Mode: SIA Mode:	dd/dd tt:tt Lxx ACC aaa ALARM ZN z hlrrlssssssaaaaasAssst <header>[#aaaa NBaz]		2, D7112: z=0. D9112: z= as programmed in BFSK Duress Code
246.	Duress	Printer: D6500 Mode: SIA Mode:	dd/dd tt:tt Lxx ACC aaaa DURESS ID z hlrrlssssssaaaaasDssst <header>[#aaaa NHaz]		
247.	Duress (Area Not Reported)	Printer: D6500 Mode: SIA Mode:	dd/dd tt:tt Lxx ACC aaaa DURESS +++ ACC aaaa ID=iii hlrrlssssssaaaaasDsiiit <header>[#aaaa NidiiiHA]	A user with the ID in the second line of the report initiated a duress from a keypad located in the AREA in the second line of the report.	
248.	Duress	Printer: D6500 Mode: SIA Mode:	dd/dd tt:tt Lxx ACC aaaa DURESS +++ ACC aaaa ID=iii hlrrlssssssaaaaasDsiiit <header>[#aaaa Nria/idiiiHA]	A user with the ID in the second line of the report initiated a duress from a keypad located in the AREA in the second line of the report.	
249.	Duress (user > 254)	Printer: D6500 Mode: SIA Mode:	dd/dd tt:tt Lxx ACC aaaa DURESS +++ACC aaaa AREA=aa ID=iiii hlrrlssssssaaaaasDiiit <header>[#aaaa Nriaa/idiiiHA]		
250.	Early Open By Account	Printer: D6500 Mode: SIA Mode:	dd/dd tt:tt Lxx ACC aaaa EARLY TO OPEN +++ ACC aaaa ID=iii hlrrlssssssaaaaasOsiiit <header>[#aaaa NidiiiOK]	A user with the ID in the second line of the report disarmed the AREA before the programmed opening time window.	1, D7112
251.	Early Open By Account (ID not reported)	Printer: D6500 Mode: SIA Mode:	dd/dd tt:tt Lxx ACC aaaa EARLY TO OPEN hlrrlssssssaaaaasOsssst <header>[#aaaa NOK]	A user with the ID in the second line of the report disarmed the AREA before the programmed opening time window.	1, D7112
252.	Early Open By Account	Printer: D6500 Mode: SIA Mode:	dd/dd tt:tt Lxx ACC aaaa OPENING Zn I hlrrlssssssaaaaasOssst <header>[#aaaa NOPi]		2, 9.
253.	Early Open By Account (ID not reported)	Printer: D6500 Mode: SIA Mode:	dd/dd tt:tt Lxx ACC aaaa OPENING REPORT hlrrlssssssaaaaasOsssst <header>[#aaaa NOP]	System disarmed. A user with the ID in the second line of the report disarmed the AREA.	2, 9. D7112

Table 92: Modem IIIa² Messages (continued)

	Event	Device/Mode	Display	Explanation	Refer to Section C.1 Zonex and Comex Translation on page 137.
254.	Early Open By Area (ID not reported)	Printer: D6500 Mode: SIA Mode:	dd/dd tt:tt Lxx ACC aaaa EARLY TO OPEN +++ ACC aaaa AREA=a hlrrlssssssaaaaaOsssst <header>[#aaaa NriaOK]	A user with the ID in the second line of the report disarmed the AREA before the programmed opening time window.	1, D7112
255.	Early Open By Area	Printer: D6500 Mode: SIA Mode:	dd/dd tt:tt Lxx ACC aaaa EARLY TO OPEN +++ ACC aaaa AREA=a ID=iii hlrrlssssssaaaaaOsiit <header>[#aaaa Nria/idiiiOK]	A user with the ID in the second line of the report disarmed the AREA before the programmed opening time window.	1.
256.	Early Open By Area	Printer: D6500 Mode: SIA Mode:	dd/dd tt:tt Lxx ACC aaaa OPENING ZN z hlrrlssssssaaaaaOsssst <header>[#aaaa NOPz]		2, z = area number
257.	Early To Close (7112 Only)	Printer: D6500 Mode: SIA Mode:	dd/dd tt:tt Lxx ACC aaaa CLOSING EARLY hlrrlssssssaaaaaCsssst <header>[#aaaa NCK]		
258.	Early To Open (7112 Only)	Printer: D6500 Mode: SIA Mode:	dd/dd tt:tt Lxx ACC aaaa EARLY TO OPEN hlrrlssssssaaaaaOsssst <header>[#aaaa NOK]		
259.	Equipment Fail (Report from UPLINK router indicating "Transceiver Trouble Condition")	Printer: D6500 Mode: SIA Mode:	dd/dd tt:tt Lxx ACC aaaa EQUIPMENT FAIL +++ ACC aaaa SDI=255 COND=001 +++ ACC aaaa UPLINK. hlrrlssssssaaaaaTsD29t <header>[#aaaa Npi255IA001]		
260.	Error	Printer: D6500 Mode: SIA Mode:	dd/dd tt:tt Lxx ACC aaaa [ERROR] ZN hlrrlssssssaaaaa[sssst <header>[#aaaa NRT]		
261.	Error	Printer: D6500 Mode: SIA Mode:	dd/dd tt:tt Lxx ACC aaaa [ERROR] ZN z hlrrlssssssaaaaa[sssst <header>[#aaaa NRTz]		
262.	Error	Printer: D6500 Mode: SIA Mode:	dd/dd tt:tt Lxx ACC aaaa [ERROR] ZN zz hlrrlssssssaaaaa[sszst <header>[#aaaa NRTzz]		
263.	Error	Printer: D6500 Mode: SIA Mode:	dd/dd tt:tt Lxx ACC aaaa [ERROR] ZN zzz hlrrlssssssaaaaa[szzst <header>[#aaaa NRTzzz]		
264.	Extend Close Time by Area	Printer: D6500 Mode: SIA Mode:	dd/dd tt:tt Lxx ACC aaaa EXTN CLOSE TIME +++ ACC aaaa AREA=a ID=iii TIME=hh:mm hlrrlssssssaaaaaTsD26t <header>[#aaaa Nria/idiii/tihhmmCE]	A user with the ID in the second line of the report extended the closing time of the AREA to the TIME printed.	1.
265.	Extend Close Time by Area	Printer: D6500 Mode: SIA Mode:	dd/dd tt:tt Lxx ACC aaaa EXTN CLOSE TIME +++ACC aaaa AREA=a TIME=hh:mm hlrrlssssssaaaaaTsD26t <header>[#aaaa Nria/tihhmmCE]		
266.	Extend Close Time by Area (ID not reported)	Printer: D6500 Mode: SIA Mode:	dd/dd tt:tt Lxx ACC aaaa EXTN CLOSE TIME +++ ACC aaaa AREA=a TIME=hh:mm hlrrlssssssaaaaaTsD26t <header>[#aaaa Nria/tihhmmCE]	A user with the ID in the second line of the report extended the closing time of the AREA to the TIME printed.	1, D7112

Table 92: Modem IIIa² Messages (continued)

	Event	Device/Mode	Display	Explanation	Refer to Section C.1 Zonex and Comex Translation on page 137.
267.	Extend Close Time by Area (users < 255)	Printer: D6500 Mode: SIA Mode:	dd/dd tt:tt Lxx ACC aaaa EXTN CLOSE TIME +++ACC aaaa AREA=a ID=iiii TIME=hh:mm hlrrlssssssaaaaasTsD26t <header>[#aaaa Nriaa/idiiii/tihhmmCE]		
268.	Extend Close Time by Area (users > 254)	Printer: D6500 Mode: SIA Mode:	dd/dd tt:tt Lxx ACC aaaa EXTN CLOSE TIME +++ACC aaaa AREA=aa ID=iiii TIME=hh:mm hlrrlssssssaaaaasTsD26t <header>[#aaaa Nriaa/idiiii/tihhmmCE]		
269.	Extra Point	Printer: D6500 Mode: SIA Mode:	dd/dd tt:tt Lxx ACC aaaa EXTRA POINT +++ ACC aaaa AREA=a POINT=ppp hlrrlssssssaaaaasTspppt <header>[#aaaa NriaXEppp]		
270.	Extra Point (points > 254)	Printer: D6500 Mode: SIA Mode:	dd/dd tt:tt Lxx ACC aaaa EXTRA POINT +++ACC aaaa AREA=aa POINT=pppp hlrrlssssssaaaaasTppppt <header>[#aaaa NriaXEpppp]		
271.	Extra RF Point	Printer: D6500 Mode: SIA Mode:	dd/dd tt:tt Lxx ACC aaaa EXTRA RF POINT +++ACC aaaa SDI=ddd hlrrlssssssaaaaasTsD16t <header>[#aaaa NpidddXF]		
272.	Extra RF Point Detected	Printer: D6500 Mode: SIA Mode:	dd/dd tt:tt Lxx ACC aaaa EXTRA RF POINT hlrrlssssssaaaaasTsD16t <header>[#aaaa NriaXF]	An extra RF POINT in the AREA in the second line of the report was detected.	1, D7112
273.	Fail To Call RAM	Printer: D6500 Mode: SIA Mode:	dd/dd tt:tt Lxx ACC aaa TROUBLE ZN F hlrrlssssssaaaaasTsssFt <header>[#aaaa NBTF]	Abnormal RAM session termination or beginning of the Command 58 Fire Test.	2.
274.	Fail To Call RAM	Printer: D6500 Mode: SIA Mode:	dd/dd tt:tt Lxx ACC aaaa BAD CALL TO RAM hlrrlssssssaaaaasTsF02t <header>[#aaaa NRA]	Control panel attempted to call RAM and was unsuccessful.	
275.	Fail To Close by Area	Printer: D6500 Mode: SIA Mode:	dd/dd tt:tt Lxx ACC aaaa FAIL TO CLOSE +++ ACC aaaa AREA=a hlrrlssssssaaaaasTsssEt <header>[#aaaa NriaCI]	The AREA in the second line of the report was not armed before the programmed closing time.	
276.	Fail To Close by Area	Printer: D6500 Mode: SIA Mode:	dd/dd tt:tt Lxx ACC aaaa FAIL TO CLOSE +++ ACC aaaa AREA=a hlrrlssssssaaaaasTsssEt <header>[#aaaa NriaCI]	The AREA in the second line of the report was not armed before the programmed closing time.	
277.	Fail To Close, Delinquent	Printer: D6500 Mode: SIA Mode:	dd/dd tt:tt Lxx ACC aaaa DELNQNT CLOSING +++ACC aaaa AREA=a hlrrlssssssaaaaasTsssEt <header>[#aaaa NriaCD]		
278.	Fail To Execute (Door Unlocked-Interlock)	Printer: D6500 Mode: SIA Mode:	dd/dd tt:tt Lxx ACC aaaa FAIL TO EXECUTE +++ ACC aaaa DOOR UNLOCKED-INTERLOCK +++ ACC aaaa AREA=a POINT=ppp hlrrlssssssaaaaasNsD35t <header>[#aaaa NriaDKppp]		

Table 92: Modem IIIa² Messages (continued)

	Event	Device/Mode	Display	Explanation	Refer to Section C.1 Zonex and Comex Translation on page 137.
279.	Fail to Execute (Door Unlocked-Interlock) (points > 254)	Printer: D6500 Mode: SIA Mode:	dd/dd tt:tt Lxx ACC aaaa FAIL TO EXECUTE +++ACC aaaa DOOR UNLOCKED-INTERLOCK +++ACC aaaa AREA=aa POINT=pppp hlrrlssssssaaaaasNsD35t <header>[#aaaa NriadKpppp]		
280.	Fail To Execute (Door Unlocked-Door Secured)	Printer: D6500 Mode: SIA Mode:	dd/dd tt:tt Lxx ACC aaaa FAIL TO EXECUTE +++ ACC aaaa DOOR UNLOCKED-DOOR SECURED +++ ACC aaaa AREA=a POINT=ppp hlrrlssssssaaaaasNsD35t <header>[#aaaa NriadKppp]		
281.	Fail To Execute (Door Unlocked-Door Secured) (points > 254)	Printer: D6500 Mode: SIA Mode:	dd/dd tt:tt Lxx ACC aaaa FAIL TO EXECUTE +++ACC aaaa DOOR UNLOCKED-DOOR SECURE +++ACC aaaa AREA=aa POINT=pppp hlrrlssssssaaaaasNsD35t <header>[#aaaa NriadKpppp]		
282.	Fail To Execute (Door Unlocked-Door Secured) (points > 254)	Printer: D6500 Mode: SIA Mode:	dd/dd tt:tt Lxx ACC aaaa FAIL TO EXECUTE +++ACC aaaa DOOR CYCLED-DOOR SECURED +++ACC aaaa AREA=aa POINT=pppp hlrrlssssssaaaaADppppt <header>[#aaaa NriadKpppp]		
283.	Fail To Execute (Door Unlocked-Door Secured) (points < 255)	Printer: D6500 Mode: SIA Mode:	dd/dd tt:tt Lxx ACC aaaa FAIL TO EXECUTE +++ACC aaaa DOOR CYCLED-DOOR SECURE +++ACC aaaa AREA=aa POINT=ppp hlrrlssssssaaaaasNsD35t <header>[#aaaa NriadKppp]		
284.	Fail To Execute (Door Cycled-Interlock)	Printer: D6500 Mode: SIA Mode:	dd/dd tt:tt Lxx ACC aaaa FAIL TO EXECUTE +++ ACC aaaa DOOR CYCLED-INTERLOCK +++ ACC aaaa AREA=a POINT=ppp hlrrlssssssaaaaADppppt <header>[#aaaa NriadKppp]		
285.	Fail To Execute (Door Cycled-Interlock) (points > 254)	Printer: D6500 Mode: SIA Mode:	dd/dd tt:tt Lxx ACC aaaa FAIL TO EXECUTE +++ACC aaaa DOOR CYCLED-INTERLOCK +++ACC aaaa AREA=aa POINT=pppp hlrrlssssssaaaaADppppt <header>[#aaaa NriadKpppp]		
286.	Fail To Execute (Door Cycled-Door Secured)	Printer: D6500 Mode: SIA Mode:	dd/dd tt:tt Lxx ACC aaaa FAIL TO EXECUTE +++ ACC aaaa DOOR CYCLED-DOOR SECURED +++ ACC aaaa AREA=a POINT=ppp hlrrlssssssaaaaADppppt <header>[#aaaa NriadKppp]		
287.	Fail To Execute (SDI Device, Incorrect Response)	Printer: D6500 Mode: SIA Mode:	dd/dd tt:tt Lxx ACC aaaa FAIL TO EXECUTE +++ ACC aaaa INCORRECT RESPONSE +++ ACC aaaa SDI=ddd hlrrlssssssaaaaasNsD34t <header>[#aaaa NpidddYX]		
288.	Fail To Execute (SDI Device, No Response)	Printer: D6500 Mode: SIA Mode:	dd/dd tt:tt Lxx ACC aaaa FAIL TO EXECUTE +++ ACC aaaa NO RESPONSE +++ ACC aaaa SDI=ddd hlrrlssssssaaaaasNsD34t <header>[#aaaa NpidddYX]		
289.	Fail To Open by Area	Printer: D6500 Mode: SIA Mode:	dd/dd tt:tt Lxx ACC aaaa FAIL TO OPEN +++ ACC aaaa AREA=a hlrrlssssssaaaaasTsssEt <header>[#aaaa NriaOI]	The AREA in the second line of the report was not disarmed during the programmed opening time window.	

Table 92: Modem IIIa² Messages (continued)

	Event	Device/Mode	Display	Explanation	Refer to Section C.1 Zonex and Comex Translation on page 137.
290.	Fail To Call RAM	Printer: D6500 Mode: SIA Mode:	dd/dd tt:tt Lxx ACC aaaa BAD CALL TO RAM hlrrlssssssaaaaTsF02t <header>[#aaaa NRA]	Control panel attempted to call RAM and was unsuccessful.	
291.	Fire Alarm	Printer: D6500 Mode: SIA Mode:	dd/dd tt:tt Lxx ACC aaaa FIRE ALARM +++ ACC aaaa AREA=a POINT=ppp hlrrlssssssaaaaasFsppt <header>[#aaaa NriaFAppp]	Alarm signal from the POINT (programmed with a Fire Point code) and the AREA in the second line of the report.	1, 10.
292.	Fire Alarm	Printer: D6500 Mode: SIA Mode:	dd/dd tt:tt Lxx ACC aaa FIRE FR z hlrrlssssssaaaaasFssstz <header>[#aaaa NFAz]		2, 3, 9.
293.	Fire Alarm (Area Not Reported)	Printer: D6500 Mode: SIA Mode:	dd/dd tt:tt Lxx ACC aaaa FIRE ALARM +++ ACC aaaa POINT=ppp hlrrlssssssaaaaasFsppt <header>[#aaaa NFAppp]	Alarm signal from the POINT (programmed with a Fire Point code) and the AREA in the second line of the report.	
294.	Fire Alarm (point < 255)	Printer: D6500 Mode: SIA Mode:	dd/dd tt:tt Lxx ACC aaaa FIRE ALARM +++ACC aaaa CROSS POINT +++ACC aaaa AREA=a POINT=ppp hlrrlssssssaaaaasFsppt <header>[#aaaa NriaFMppp]		
295.	Fire Alarm (point < 255)	Printer: D6500 Mode: SIA Mode:	dd/dd tt:tt Lxx ACC aaaa FIRE ALARM +++ACC aaaa SMOKE DETECTED +++ACC aaaa AREA=a POINT=ppp hlrrlssssssaaaaasFsppt <header>[#aaaa NriaFAppp]		
296.	Fire Alarm (point < 255)	Printer: D6500 Mode: SIA Mode:	dd/dd tt:tt Lxx ACC aaaa FIRE ALARM +++ACC aaaa HIGH TEMPERATURE DETECTED +++ACC aaaa AREA=a POINT=ppp hlrrlssssssaaaaasFsppt <header>[#aaaa NriaKAppp]		
297.	Fire Alarm (point < 255)	Printer: D6500 Mode: SIA Mode:	dd/dd tt:tt Lxx ACC aaaa FIRE ALARM +++ACC aaaa WATER FLOW DETECTED +++ACC aaaa AREA=a POINT=ppp hlrrlssssssaaaaasFsppt <header>[#aaaa NriaSAppp]		
298.	Fire Alarm (point < 255)	Printer: D6500 Mode: SIA Mode:	dd/dd tt:tt Lxx ACC aaaa FIRE ALARM +++ACC aaaa AREA=aa POINT=pppp hlrrlssssssaaaaasFpppt <header>[#aaaa NriaFApppp]		
299.	Fire Alarm Cross point (point > 254)	Printer: D6500 Mode: SIA Mode:	dd/dd tt:tt Lxx ACC aaaa FIRE ALARM +++ACC aaaa CROSS POINT +++ACC aaaa AREA=aa POINT=pppp hlrrlssssssaaaaasFpppt <header>[#aaaa NriaFMpppp]		
300.	Fire Alarm Crossed Point (Area Not Reported)	Printer: D6500 Mode: SIA Mode:	dd/dd tt:tt Lxx ACC aaaa FIRE ALARM +++ ACC aaaa CROSS POINT +++ ACC aaaa POINT=ppp hlrrlssssssaaaaasFsppt <header>[#aaaa NFMppp]	Alarm signal from the POINT (programmed with a Fire Point code) and the AREA in the second line of the report.	
301.	Fire Alarm Smoke (point > 254)	Printer: D6500 Mode: SIA Mode:	dd/dd tt:tt Lxx ACC aaaa FIRE ALARM +++ACC aaaa SMOKE DETECTED +++ACC aaaa AREA=aa POINT=pppp hlrrlssssssaaaaasFpppt <header>[#aaaa NriaFApppp]		

Table 92: Modem IIIa² Messages (continued)

	Event	Device/Mode	Display	Explanation	Refer to Section C.1 Zonex and Comex Translation on page 137.
302.	Fire Alarm (point > 254)	Printer: D6500 Mode: SIA Mode:	dd/dd tt:tt Lxx ACC aaaa FIRE ALARM +++ACC aaaa HIGH TEMPERATURE DETECTED +++ACC aaaa AREA=aa POINT=pppp hlrrlssssssaaaaaFppppt <header>[#aaaa NriaaKApppp]		
303.	Fire Alarm (point > 254)	Printer: D6500 Mode: SIA Mode:	dd/dd tt:tt Lxx ACC aaaa FIRE ALARM +++ACC aaaa WATER FLOW SENSOR +++ACC aaaa WATER FLOW DETECTED +++ACC aaaa AREA=aa POINT=pppp hlrrlssssssaaaaaFppppt <header>[#aaaa NriaaSApppp]		
304.	Fire Cancel (users > 254)	Printer: D6500 Mode: SIA Mode:	dd/dd tt:tt Lxx ACC aaaa FIRE CANCEL +++ACC aaaa AREA=aa ID=iiii hlrrlssssssaaaaa\iiiiit <header>[#aaaa Nriaa/idiiiiFC]		
305.	Fire Missing	Printer: D6500 Mode: SIA Mode:	dd/dd tt:tt Lxx ACC aaaa MISSING FIRE +++ ACC aaaa AREA=a POINT=ppp hlrrlssssssaaaaaMppppt <header>[#aaaa NriaFYppp]	The POINT (programmed with a Fire Point code) in the AREA in the second line of the report is missing.	1, 10.
306.	Fire Missing	Printer: D6500 Mode: SIA Mode:	dd/dd tt:tt Lxx ACC aaa TROUBL FR z hlrrlssssssaaaaaGsssszt <header>[#aaaa NFTz]		2, 3, 9.
307.	Fire Missing (points > 254)	Printer: D6500 Mode: SIA Mode:	dd/dd tt:tt Lxx ACC aaaa MISSING FIRE +++ACC aaaa AREA=aa POINT=pppp hlrrlssssssaaaaaMppppt <header>[#aaaa NriaFYpppp]		
308.	Fire Restoral (from Fire Alarm)	Printer: D6500 Mode: SIA Mode:	dd/dd tt:tt Lxx ACC aaaa FIRE ALM RESTOR +++ ACC aaaa AREA=a POINT=ppp hlrrlssssssaaaaaHsspppt <header>[#aaaa NriaFHppp]		
309.	Fire Restoral(from Trouble/Missing/Supervision)	Printer: D6500 Mode: SIA Mode:	dd/dd tt:tt Lxx ACC aaaa FIRE ALM RESTOR +++ ACC aaaa AREA=a POINT=ppp hlrrlssssssaaaaaHsspppt <header>[#aaaa NriaFJppp]		
310.	Fire Restoral after Alarm	Printer: D6500 Mode: SIA Mode:	dd/dd tt:tt Lxx ACC aaa RESTORAL FR z hlrrlssssssaaaaaHsssszt <header>[#aaaa NFRz]		2, 3, 9.
311.	Fire Restoral after Alarm	Printer: D6500 Mode: SIA Mode:	dd/dd tt:tt Lxx ACC aaaa FIRE RESTORAL +++ ACC aaaa AREA=a POINT=ppp hlrrlssssssaaaaaHsspppt <area not reported> <header>[#aaaa NriaFRppp]	The POINT (programmed with a Fire Point code) in the AREA specified in the second line of the report was restored after an alarm, trouble, or missing condition.	1, 10.
312.	Fire Restore after Trouble/Missing	Printer: D6500 Mode: SIA Mode:	dd/dd tt:tt Lxx ACC aaaa FIRE RESTORAL +++ ACC aaaa AREA=a POINT=ppp hlrrlssssssaaaaaHsspppt <header>[#aaaa NriaFRppp]	The POINT (programmed with a Fire Point code) in the AREA specified in the second line of the report was restored after an alarm, trouble, or missing condition.	1, 10.

Table 92: Modem IIIa² Messages (continued)

	Event	Device/Mode	Display	Explanation	Refer to Section C.1 Zonex and Comex Translation on page 137.
313.	Fire Restore after Trouble/Missing	Printer: D6500 Mode: SIA Mode:	dd/dd tt:tt Lxx ACC aaa RESTORALFR z hlrrlssssssaaaaHsssst <header>[#aaaa NFRz]		2, 3, 9.
314.	Fire Restoral From Fire Alarm (no area)	Printer: D6500 Mode: SIA Mode:	dd/dd tt:tt Lxx ACC aaaa FIRE ALM RESTOR +++ACC aaaa POINT=ppp hlrrlssssssaaaaHsspppt <header>[#aaaa NFHppp]		
315.	Fire Restoral From Fire Alarm (points > 254)	Printer: D6500 Mode: SIA Mode:	dd/dd tt:tt Lxx ACC aaaa FIRE ALM RESTOR +++ACC aaaa AREA=aa POINT=pppp hlrrlssssssaaaaHsppppt <header>[#aaaa NriaaFHpppp]		
316.	Fire Restoral From Trouble/Missing/Supervision	Printer: D6500 Mode: SIA Mode:	dd/dd tt:tt Lxx ACC aaaa FIRE TBL RESTOR +++ACC aaaa AREA=aa POINT=pppp hlrrlssssssaaaaHsppppt <header>[#aaaa NriaaFJpppp]		
317.	Fire Supervision	Printer: D6500 Mode: SIA Mode:	dd/dd tt:tt Lxx ACC aaaa FIRE SUPRVISION +++ ACC aaaa AREA=a POINT=ppp hlrrlssssssaaaaasEsppt <header>[#aaaa NriafSppp]		
318.	Fire Supervision (points < 255)	Printer: D6500 Mode: SIA Mode:	dd/dd tt:tt Lxx ACC aaaa FIRE SUPRVISION +++ACC aaaa AREA=aa POINT=pppp hlrrlssssssaaaaasEppppt <header>[#aaaa NriafSpppp]		
319.	Fire Supervision (points > 254)	Printer: D6500 Mode: SIA Mode:	dd/dd tt:tt Lxx ACC aaaa FIRE SUPRVISION +++ACC aaaa WATER FLOW SENSOR +++ACC aaaa AREA=aa POINT=pppp hlrrlssssssaaaaasEppppt <header>[#aaaa NriafSpppp]		
320.	Fire Supervision (Water Flow) (points < 255)	Printer: D6500 Mode: SIA Mode:	dd/dd tt:tt Lxx ACC aaaa FIRE SUPRVISION +++ACC aaaa WATER FLOW SENSOR +++ACC aaaa AREA=a POINT=ppp hlrrlssssssaaaaasEsppt <header>[#aaaa NriafSppp]		
321.	Fire Supervision (Water Flow) (points > 254)	Printer: D6500 Mode: SIA Mode:	dd/dd tt:tt Lxx ACC aaaa FIRE SUPRV TRBL +++ACC aaaa AREA=a POINT=ppp hlrrlssssssaaaaGsspppt <header>[#aaaa NriafWppp]		
322.	Fire Supervision Restore (points < 255)	Printer: D6500 Mode: SIA Mode:	dd/dd tt:tt Lxx ACC aaaa FIRE SUPRV REST +++ACC aaaa AREA=a POINT=ppp hlrrlssssssaaaaasEsppt <header>[#aaaa NriafVppp]		
323.	Fire Supervision Restore (points > 254)	Printer: D6500 Mode: SIA Mode:	dd/dd tt:tt Lxx ACC aaaa FIRE SUPRV REST +++ACC aaaa AREA=aa POINT=pppp hlrrlssssssaaaaasEppppt <header>[#aaaa NriafVpppp]		
324.	Fire Supervision Restore (Water Flow) (points < 255)	Printer: D6500 Mode: SIA Mode:	dd/dd tt:tt Lxx ACC aaaa FIRE SUPRV REST +++ACC aaaa WATER FLOW SENSOR +++ACC aaaa AREA=a POINT=ppp hlrrlssssssaaaaasEsppt <header>[#aaaa NriafVppp]		
325.	Fire Supervision Restore (Water Flow) (points > 254)	Printer: D6500 Mode: SIA Mode:	dd/dd tt:tt Lxx ACC aaaa FIRE SUPRV REST +++ACC aaaa WATER FLOW SENSOR +++ACC aaaa AREA=aa POINT=pppp hlrrlssssssaaaaasEppppt <header>[#aaaa NriafVpppp]		

Table 92: Modem IIIa² Messages (continued)

	Event	Device/Mode	Display	Explanation	Refer to Section C.1 Zonex and Comex Translation on page 137.
326.	Fire Supervision Trouble (points < 255)	Printer: D6500 Mode: SIA Mode:	dd/dd tt:tt Lxx ACC aaaa FIRE SUPRV TRBL +++ACC aaaa WATER FLOW SENSOR +++ACC aaaa AREA=a POINT=ppp hlrrlssssssaaaaGsspppt <header>[#aaaa NriaFWppp]		
327.	Fire Supervision Trouble (points > 254)	Printer: D6500 Mode: SIA Mode:	dd/dd tt:tt Lxx ACC aaaa FIRE SUPRV TRBL +++ACC aaaa AREA=aa POINT=pppp hlrrlssssssaaaaGsspppt <header>[#aaaa NriaFWpppp]		
328.	Fire Supervision Trouble (Water Flow) (points < 255)	Printer: D6500 Mode: SIA Mode:	dd/dd tt:tt Lxx ACC aaaa FIRE SUPRV TRBL +++ACC aaaa AREA=aa POINT=pppp hlrrlssssssaaaaGsspppt <header>[#aaaa NriaFWpppp]		
329.	Fire Supervision Trouble (Water Flow) (points > 254)	Printer: D6500 Mode: SIA Mode:	dd/dd tt:tt Lxx ACC aaaa FIRE SUPRV TRBL +++ACC aaaa WATER FLOW SENSOR +++ACC aaaa AREA=aa POINT=pppp hlrrlssssssaaaaGsspppt <header>[#aaaa NriaFWpppp]		
330.	Fire Supervision Trouble Restore (points < 255)	Printer: D6500 Mode: SIA Mode:	dd/dd tt:tt Lxx ACC aaaa FIR SUPR TR RES +++ACC aaaa AREA=a POINT=ppp hlrrlssssssaaaaHsspppt <header>[#aaaa NriaFQppp]		
331.	Fire Supervision Trouble Restore (points > 254)	Printer: D6500 Mode: SIA Mode:	dd/dd tt:tt Lxx ACC aaaa FIR SUPR TR RES +++ACC aaaa AREA=aa POINT=pppp hlrrlssssssaaaaHsspppt <header>[#aaaa NriaFQpppp]		
332.	Fire Supervision Trouble Restore (Water Flow) (points < 255)	Printer: D6500 Mode: SIA Mode:	dd/dd tt:tt Lxx ACC aaaa FIR SUPR TR RES +++ACC aaaa WATER FLOW SENSOR +++ACC aaaa AREA=a POINT=ppp hlrrlssssssaaaaHsspppt <header>[#aaaa NriaFQppp]		
333.	Fire Supervision Trouble Restore (Water Flow) (points > 254)	Printer: D6500 Mode: SIA Mode:	dd/dd tt:tt Lxx ACC aaaa FIR SUPR TR RES +++ACC aaaa WATER FLOW SENSOR +++ACC aaaa AREA=aa POINT=pppp hlrrlssssssaaaaHsspppt <header>[#aaaa NriaFQpppp]		
334.	Fire Trouble	Printer: D6500 Mode: SIA Mode:	dd/dd tt:tt Lxx ACC aaaa FIRE TROUBLE +++ ACC aaaa AREA=a POINT=ppp hlrrlssssssaaaaGsspppt <header>[#aaaa NriaFTppp]	Trouble condition from the POINT (programmed with a Fire Point code) in the AREA in the second line of the report.	1, 10.
335.	Fire Restoral	Printer: D6500 Mode: SIA Mode:	dd/dd tt:tt Lxx ACC aaa RESTORAL FR z hlrrlssssssaaaaHsssszt <header>[#aaaa NFRz]		2, 3, 9.
336.	Fire Trouble (point < 255)	Printer: D6500 Mode: SIA Mode:	dd/dd tt:tt Lxx ACC aaaa FIRE TROUBLE +++ACC aaaa SMOKE DETECTOR +++ACC aaaa AREA=a POINT=ppp hlrrlssssssaaaaGsspppt <header>[#aaaa NriaFTppp]		
337.	Fire Trouble (point < 255)	Printer: D6500 Mode: SIA Mode:	dd/dd tt:tt Lxx ACC aaaa FIRE TROUBLE +++ACC aaaa HIGH TEMPERATURE DETECTOR +++ACC aaaa AREA=a POINT=ppp hlrrlssssssaaaaGsspppt <header>[#aaaa NriaKTppp]		

Table 92: Modem IIIa² Messages (continued)

	Event	Device/Mode	Display	Explanation	Refer to Section C.1 Zonex and Comex Translation on page 137.
338.	Fire Trouble (point < 255)	Printer: D6500 Mode: SIA Mode:	dd/dd tt:tt Lxx ACC aaaa FIRE TROUBLE +++ACC aaaa WATER FLOW DETECTOR +++ACC aaaa AREA=a POINT=ppp hlrrlssssssaaaaGsspppt <header>[#aaaa NriaSTppp]		
339.	Fire Trouble (point < 254)	Printer: D6500 Mode: SIA Mode:	dd/dd tt:tt Lxx ACC aaaa FIRE TROUBLE +++ACC aaaa AREA=aa POINT=pppp hlrrlssssssaaaaGsspppt <header>[#aaaa NriaFTpppp]		
340.	Fire Trouble (with Ground Fault) (point > 254)	Printer: D6500 Mode: SIA Mode:	dd/dd tt:tt Lxx ACC aaaa FIRE TROUBLE +++ACC aaaa GROUND FAULT +++ACC aaaa AREA=aa POINT=pppp hlrrlssssssaaaaGsspppt <header>[#aaaa NriaFTpppp]		
341.	Fire Trouble (point > 254)	Printer: D6500 Mode: SIA Mode:	dd/dd tt:tt Lxx ACC aaaa FIRE TROUBLE +++ACC aaaa SMOKE DETECTOR +++ACC aaaa AREA=aa POINT=pppp hlrrlssssssaaaaGsspppt <header>[#aaaa NriaFTpppp]		
342.	Fire Trouble (point > 254)	Printer: D6500 Mode: SIA Mode:	dd/dd tt:tt Lxx ACC aaaa FIRE TROUBLE +++ACC aaaa HIGH TEMPERATURE DETECTOR +++ACC aaaa AREA=aa POINT=pppp hlrrlssssssaaaaGsspppt <header>[#aaaa NriaKTpppp]		
343.	Fire Trouble (point > 254)	Printer: D6500 Mode: SIA Mode:	dd/dd tt:tt Lxx ACC aaaa FIRE TROUBLE +++ACC aaaa WATER FLOW DETECTOR +++ACC aaaa AREA=aa POINT=pppp hlrrlssssssaaaaGsspppt <header>[#aaaa NriaSTpppp]		
344.	Fire Walk End	Printer: D6500 Mode: SIA Mode:	dd/dd tt:tt Lxx ACC aaaa FIRE WALK END +++ ACC aaaa AREA=a hlrrlssssssaaaaaRsssFt <header>[#aaaa NriaFK]	Fire Walk Test ended.	
345.	Fire Walk End	Printer: D6500 Mode: SIA Mode:	dd/dd tt:tt Lxx ACC aaa RESTORAL ZN F hlrrlssssssaaaaaRsssFt <header>[#aaaa NURF]		D9112
346.	Fire Walk Start	Printer: D6500 Mode: SIA Mode:	dd/dd tt:tt Lxx ACC aaaa FIRE WALK START +++ ACC aaaa AREA=a ID=iii hlrrlssssssaaaaaTsssFt <header>[#aaaa Nria/idiiiFI]	Fire Walk Test begun.	D9112
347.	Fire Walk Start	Printer: D6500 Mode: SIA Mode:	dd/dd tt:tt Lxx ACC aaa TROUBLE ZN F hlrrlssssssaaaaaTsssFt <header>[#aaaa NBTF]	Abnormal RAM session termination or beginning of the Command 58 Fire Test.	D9112
348.	Fire Walk Start	Printer: D6500 Mode: SIA Mode:	dd/dd tt:tt Lxx ACC aaaa FIRE WALK START +++ ACC aaaa AREA=a ID=iii hlrrlssssssaaaaaTsssFt <header>[#aaaa Nria/idiiiFI]	Fire Walk Test begun.	
349.	Fire Walk Start (no user)	Printer: D6500 Mode: SIA Mode:	dd/dd tt:tt Lxx ACC aaaa FIRE WALK START +++ACC aaaa AREA=a hlrrlssssssaaaaaTsssFt <header>[#aaaa NriaFI]		
350.	Fire Walk Start (users > 254)	Printer: D6500 Mode: SIA Mode:	dd/dd tt:tt Lxx ACC aaaa FIRE WALK START +++ACC aaaa AREA=aa ID=iiii hlrrlssssssaaaaaTsssFt <header>[#aaaa Nria/idiiiFI]		

Table 92: Modem IIIa² Messages (continued)

	Event	Device/Mode	Display	Explanation	Refer to Section C.1 Zonex and Comex Translation on page 137.
351.	Fire Walk End (no users)	Printer: D6500 Mode: SIA Mode:	dd/dd tt:tt Lxx ACC aaaa FIRE WALK END +++ACC aaaa AREA=a hlrrlssssssaaaaasRsssFt <header>[#aaaa NriaFK]		
352.	Fire Walk End (users > 254)	Printer: D6500 Mode: SIA Mode:	dd/dd tt:tt Lxx ACC aaaa FIRE WALK END +++ACC aaaa AREA=aa ID=iiii hlrrlssssssaaaaasRsssFt <header>[#aaaa Nriaa/idiiiiFK]		
353.	Force Armed	Printer: D6500 Mode: SIA Mode:	dd/dd tt:tt Lxx ACC aaaa WAS FORCE ARMED hlrrlssssssaaaaasWsssst <header>[#aaaa NCW]	Account armed with zones or points faulted. The faulted zones or POPITs were not armed. Zones, areas, or points that were not armed are indicated by a TROUBLE or SHUNTED report.	
354.	Force Close by Account	Printer: D6500 Mode: SIA Mode:	dd/dd tt:tt Lxx ACC aaaa FORCED CLOSE +++ ACC aaaa ID=iii hlrrlssssssaaaaasCsiit <header>[#aaaa NidiiiCF]	A user with the ID in the second line of the report armed the AREA while points in the AREA were faulted. Faulted points were not armed.	1, D7112
355.	Force Close by Account (ID not reported)	Printer: D6500 Mode: SIA Mode:	dd/dd tt:tt Lxx ACC aaaa FORCED CLOSE hlrrlssssssaaaaasCsssst <header>[#aaaa NCF]	A user with the ID in the second line of the report armed the AREA while points in the AREA were faulted. Faulted points were not armed.	1, D7112
356.	Force Close by Area	Printer: D6500 Mode: SIA Mode:	dd/dd tt:tt Lxx ACC aaaa FORCED CLOSE hlrrlssssssaaaaasCsiit <header>[#aaaa Nria/idiiiiCF]	A user with the ID in the second line of the report armed the AREA while points in the AREA were faulted. Faulted points were not armed.	1.
357.	Force Close Early by Account	Printer: D6500 Mode: SIA Mode:	dd/dd tt:tt Lxx ACC aaa CLOSING ZN I dd/dd tt:tt Lxx ACC aaa WAS FORCE ARMED hlrrlssssssaaaaasCsssst hlrrlssssssaaaaasWsssst <header>[#aaaa NCLi] <header>[#aaaa NCW]	Account armed with zones or points faulted. The faulted zones or POPITs were not armed. Zones, areas, or points which were not armed are indicated by a TROUBLE or SHUNTED report.	2, I = user id.
358.	Force Close Early by Account	Printer: D6500 Mode: SIA Mode:	dd/dd tt:tt Lxx ACC aaaa F CLOSE EARLY +++ ACC aaaa AREA=a ID=iii hlrrlssssssaaaaasCsiit <header>[#aaaa Nria/idiiiiCF]	A user with the ID in the second line of the report armed the AREA in the second line of the report after the programmed closing time while points in the AREA were faulted. Faulted points were not armed.	1.

Table 92: Modem IIIa² Messages (continued)

	Event	Device/Mode	Display	Explanation	Refer to Section C.1 Zonex and Comex Translation on page 137.
359.	Force Close Early by Account (ID not reported)	Printer: D6500 Mode: SIA Mode:	dd/dd tt:tt Lxx ACC aaaa F CLOSE EARLY +++ ACC aaaa AREA=a hlrrlssssssaaaaaCssts <header>[#aaaa NriaCF]	A user with the ID in the second line of the report armed the AREA in the second line of the report after the programmed closing time while points in the AREA were faulted. Faulted points were not armed.	1, D7112
360.	Force Close Early by Account	Printer: D6500 Mode: SIA Mode:	dd/dd tt:tt Lxx ACC aaaa F CLOSE EARLY +++ ACC aaaa ID=iii hlrrlssssssaaaaaCsiiit <header>[#aaaa NidiiiCF]	A user with the ID in the second line of the report armed the AREA in the second line of the report after the programmed closing time while points in the AREA were faulted. Faulted points were not armed.	1, D7112 by Account
361.	Force Close Early by Account (ID not reported)	Printer: D6500 Mode: SIA Mode:	dd/dd tt:tt Lxx ACC aaa CLOSING REPORT dd/dd tt:tt Lxx ACC aaa WAS FORCE ARMED hlrrlssssssaaaaaCssts hlrrlssssssaaaaaWsssst <header>[#aaaa NCL] <header>[#aaaa NCW]	The system armed/disarmed with a passcode or COMMAND 1 reporting no User ID (D8112G2 excluded). AREA armed by user with the ID in the second line of the report Account armed with zones or points faulted. The faulted zones or POPITs were not armed. Zones, areas, or points that were not armed are indicated by a TROUBLE or SHUNTED report.	2, D7112
362.	Force Close Early by Account (ID not reported)	Printer: D6500 Mode: SIA Mode:	dd/dd tt:tt Lxx ACC aaaa F CLOSE EARLY hlrrlssssssaaaaaCssts <header>[#aaaa NCF]	A user with the ID in the second line of the report armed the AREA in the second line of the report after the programmed closing time while points in the AREA were faulted. Faulted points were not armed.	1, D7112
363.	Forced Close Early by Area	Printer: D6500 Mode: SIA Mode:	dd/dd tt:tt Lxx ACC aaaa F CLOSE LATE +++ ACC aaaa AREA=a ID=iii hlrrlssssssaaaaaCsiiit <header>[#aaaa Nria/idiiiCF]	A user with the ID in the second line of the report armed the AREA in the second line of the report after the programmed closing time while points in the AREA were faulted. Faulted points were not armed.	1,

Table 92: Modem IIIa² Messages (continued)

	Event	Device/Mode	Display	Explanation	Refer to Section C.1 Zonex and Comex Translation on page 137.
364.	Forced Close Early by Area (ID not reported)	Printer: D6500 Mode: SIA Mode:	dd/dd tt:tt Lxx ACC aaaa F CLOSE EARLY +++ ACC aaaa AREA=a hlrrlssssssaaaaaCsstsst <header>[#aaaa NriaCF]	A user with the ID in the second line of the report armed the AREA before the programmed closing time while points in the AREA were faulted. Faulted points were not armed.	1, D7112
365.	Forced Close Early by Area	Printer: D6500 Mode: SIA Mode:	dd/dd tt:tt Lxx ACC aaaa FRC CLOSE EARLY +++ ACC aaaa AREA=a ID=iii hlrrlssssssaaaaaCsiiit <header>[#aaaa Nria/idiicf]	A user with the ID in the second line of the report armed the AREA before the programmed closing time while points in the AREA were faulted. Faulted points were not armed.	
366.	Force Close Late by Account	Printer: D6500 Mode: SIA Mode:	dd/dd tt:tt Lxx ACC aaa CLOSING ZN I dd/dd tt:tt Lxx ACC aaa WAS FORCE ARMED hlrrlssssssaaaaaCsstsst hlrrlssssssaaaaaWsssst <header>[#aaaa NCLi] <header>[#aaaa NCW]	Account armed with zones or points faulted. The faulted zones or POPITs were not armed. Zones, areas, or points that were not armed are indicated by a TROUBLE or SHUNTED report.	2, i = user id.
367.	Force Close Late by Account (ID not reported)	Printer: D6500 Mode: SIA Mode:	dd/dd tt:tt Lxx ACC aaaa F CLOSE LATE hlrrlssssssaaaaaCsstsst <header>[#aaaa NCF]	A user with the ID in the second line of the report armed the AREA in the second line of the report after the programmed closing time while points in the AREA were faulted. Faulted points were not armed.	1, D7112
368.	Force Close Late by Account	Printer: D6500 Mode: SIA Mode:	dd/dd tt:tt Lxx ACC aaaa F CLOSE LATE +++ ACC aaaa ID=iii hlrrlssssssaaaaaCsiiit <header>[#aaaa Nidiicf]	A user with the ID in the second line of the report armed the AREA in the second line of the report after the programmed closing time while points in the AREA were faulted. Faulted points were not armed.	1, D7112
369.	Force Close Late by Account (ID not reported)	Printer: D6500 Mode: SIA Mode:	dd/dd tt:tt Lxx ACC aaa CLOSING REPORT dd/dd tt:tt Lxx ACC aaa WAS FORCE ARMED hlrrlssssssaaaaaCsstsst hlrrlssssssaaaaaWsssst <header>[#aaaa NCL] <header>[#aaaa NCW]	Unexpanded reporting, system armed by arm/disarm passcode or COMMAND 1 (D8112G2 excluded). Unexpanded reporting, system armed by arm/disarm passcode or CMD 1. AREA armed by user with the ID in the second line of the report Account armed with zones or points faulted. The faulted zones or POPITs were not armed. Zones, areas, or points that were not armed are indicated by a TROUBLE or SHUNTED report.	2, D7112
370.	Forced Close Early by Area (users > 254)	Printer: D6500 Mode: SIA Mode:	dd/dd tt:tt Lxx ACC aaaa FRC CLOSE EARLY +++ACC aaaa AREA=aa ID=iiii hlrrlssssssaaaaaCsiiit <header>[#aaaa Nriaa/idiicf]		
371.	Force Close Early (7112 Only)	Printer: D6500 Mode: SIA Mode:	dd/dd tt:tt Lxx ACC aaaa FRC CLOSE EARLY hlrrlssssssaaaaaCsstsst <header>[#aaaa NCF]		

Table 92: Modem IIIa² Messages (continued)

	Event	Device/Mode	Display	Explanation	Refer to Section C.1 Zonex and Comex Translation on page 137.
372.	Force Close Late (7112 Only)	Printer: D6500 Mode: SIA Mode:	dd/dd tt:tt Lxx ACC aaaa FORC CLOSE LATE hlrrlssssssaaaaasCcssst <header>[#aaaa NCF]		
373.	Forced Close Late by Area	Printer: D6500 Mode: SIA Mode:	dd/dd tt:tt Lxx ACC aaaa FORC CLOSE LATE +++ ACC aaaa AREA=a ID=iii hlrrlssssssaaaaasCsiit <header>[#aaaa Nria/idiiiCF]	A user with the ID in the second line of the report armed the AREA in the second line of the report after the programmed closing time while points in the AREA were faulted. Faulted points were not armed.	
374.	Forced Close Late by Area (users > 254)	Printer: D6500 Mode: SIA Mode:	dd/dd tt:tt Lxx ACC aaaa FORC CLOSE LATE +++ACC aaaa AREA=aa ID=iiii hlrrlssssssaaaaasCiiit <header>[#aaaa Nriaa/idiiiCF]		
375.	Forced Close Perimeter Delay by Area (ID not reported)	Printer: D6500 Mode: SIA Mode:	dd/dd tt:tt Lxx ACC aaaa F CLOSE PR DLAY +++ ACC aaaa AREA=a hlrrlssssssaaaaasCcssst <header>[#aaaa NriaNF]	A user with the ID in the second line of the report has delay armed the perimeter of the AREA while points in the AREA were faulted. Faulted points were not armed.	1, D7112
376.	Forced Close Perimeter Delay by Area (ID not reported)	Printer: D6500 Mode: SIA Mode:	dd/dd tt:tt Lxx ACC aaaa F CLOSE PR DLAY +++ ACC aaaa AREA=a hlrrlssssssaaaaasCcssst <header>[#aaaa NriaNF]	A user with the ID in the second line of the report armed the perimeter of the AREA while points in the AREA were faulted. Faulted points were not armed.	
377.	Forced Close Perimeter Delay by Area (User ID# > 254 reported)	Printer: D6500 Mode: SIA Mode:	dd/dd tt:tt Lxx ACC aaaa F CLOSE PR DLAY +++ACC aaaa AREA=aa ID=iiii hlrrlssssssaaaaasCiiit <header>[#aaaa Nriaa/idiiiNF]		
378.	Forced Close Perimeter instant by Area	Printer: D6500 Mode: SIA Mode:	dd/dd tt:tt Lxx ACC aaaa F CLOSE PR INST hlrrlssssssaaaaasCsiit <header>[#aaaa Nria/idiiiNF]	A user with the ID in the second line of the report armed the perimeter of the AREA while points in the AREA were faulted. Faulted points were not armed.	1, D7112
379.	Forced Close Perimeter instant by Area (ID not reported)	Printer: D6500 Mode: SIA Mode:	dd/dd tt:tt Lxx ACC aaaa F CLOSE PR INST hlrrlssssssaaaaasCcssst <header>[#aaaa NriaNF]	A user with the ID in the second line of the report armed the perimeter of the AREA while points in the AREA were faulted. Faulted points were not armed.	1.
380.	Forced Close Perimeter Instant by Area (User ID# > 254 reported)	Printer: D6500 Mode: SIA Mode:	dd/dd tt:tt Lxx ACC aaaa F CLOSE PR INST +++ACC aaaa AREA=aa ID=iiii hlrrlssssssaaaaasCiiit <header>[#aaaa Nriaa/idiiiNF]		

Table 92: Modem IIIa² Messages (continued)

	Event	Device/Mode	Display	Explanation	Refer to Section C.1 Zonex and Comex Translation on page 137.
381.	Force Closing by Account	Printer: D6500 Mode: SIA Mode:	dd/dd tt:tt Lxx ACC aaa CLOSING ZN I dd/dd tt:tt Lxx ACC aaa WAS FORCE ARMED h1rrlssssssaaaaaCsst h1rrlssssssaaaaaWssst <header>[#aaaa NCLi] <header>[#aaaa NCW]	Account armed with zones or points faulted. The faulted zones or POPITs were not armed. Zones, areas, or points that were not armed are indicated by a TROUBLE or SHUNTED report.	2, I = user id.
382.	Force Closing by Account (ID not reported)	Printer: D6500 Mode: SIA Mode:	dd/dd tt:tt Lxx ACC aaa CLOSING REPORT dd/dd tt:tt Lxx ACC aaa WAS FORCE ARMED h1rrlssssssaaaaaCsst h1rrlssssssaaaaaWssst <header>[#aaaa NCL] <header>[#aaaa NCW]	The system armed/disarmed with a passcode or COMMAND 1 reporting no User ID (D8112G2 excluded). AREA armed by user with the ID in the second line of the report Account armed with zones or points faulted. The faulted zones or POPITs were not armed. Zones, areas, or points that were not armed are indicated by a TROUBLE or SHUNTED report.	2, D7112
383.	Forced Closing by Area	Printer: D6500 Mode: SIA Mode:	dd/dd tt:tt Lxx ACC aaaa FORCED CLOSE +++ ACC aaaa AREA=a ID=iii h1rrlssssssaaaaaCsst <header>[#aaaa Nria/idiif]	A user with the ID in the second line of the report armed the AREA while points in the AREA were faulted. Faulted points were not armed.	
384.	Forced Closing by Area	Printer: D6500 Mode: SIA Mode:	dd/dd tt:tt Lxx ACC aaa CLOSING ZN z dd/dd tt:tt Lxx ACC aaa WAS FORCE ARMED h1rrlssssssaaaaaCsst h1rrlssssssaaaaaWssst <header>[#aaaa NCLz] <header>[#aaaa NCW]	Account armed with zones or points faulted. The faulted zones or POPITs were not armed. Zones, areas, or points that were not armed are indicated by a TROUBLE or SHUNTED report.	2, z = area number
385.	Forced Closing by Area (no area) (users <255)	Printer: D6500 Mode: SIA Mode:	dd/dd tt:tt Lxx ACC aaaa FORCED CLOSE +++ACC aaaa ID=iii h1rrlssssssaaaaaCsst <header>[#aaaa Nidif]		
386.	Forced Closing by Area (users > 254)	Printer: D6500 Mode: SIA Mode:	dd/dd tt:tt Lxx ACC aaaa FORCED CLOSE +++ACC aaaa AREA=aa ID=iiii h1rrlssssssaaaaaCsst <header>[#aaaa Nria/idiif]		
387.	Forced Point	Printer: D6500 Mode: SIA Mode:	dd/dd tt:tt Lxx ACC aaaa FORCED POINT +++ ACC aaaa AREA=a POINT=ppp ID=iii h1rrlssssssaaaaaTsppt <header>[#aaaa Nria/idiifWppp]	The POINT in the AREA in the second line of the report was faulted and bypassed when the system was armed.	10, D7112

Table 92: Modem IIIa² Messages (continued)

	Event	Device/Mode	Display	Explanation	Refer to Section C.1 Zonex and Comex Translation on page 137.
388.	Forced Point	Printer: D6500 Mode: SIA Mode:	dd/dd tt:tt Lxx ACC aaaa FORCED POINT +++ ACC aaaa AREA=a POINT=ppp hlrrlssssssaaaaaTspppt <header>[#aaaa NriaXWppp]	The POINT in the AREA in the second line of the report was faulted and bypassed when the system was armed.	1, 6, D9112
389.	Forced Point (ID not reported)	Printer: D6500 Mode: SIA Mode:	dd/dd tt:tt Lxx ACC aaaa FORCED POINT +++ ACC aaaa AREA=a POINT=ppp hlrrlssssssaaaaaTspppt <header>[#aaaa NriaXWppp]	The POINT in the AREA in the second line of the report was faulted and bypassed when the system was armed.	1, 6, D7112
390.	Forced Point	Printer: D6500 Mode: SIA Mode:	dd/dd tt:tt Lxx ACC aaa TROUBLE ZN z hlrrlssssssaaaaaTssst <header>[#aaaa NBTz]		9.
391.	Forced Point (point > 254)	Printer: D6500 Mode: SIA Mode:	dd/dd tt:tt Lxx ACC aaaa FORCED POINT +++ACC aaaa AREA=aa POINT=pppp hlrrlssssssaaaaaTppppt <header>[#aaaa NriaaXWpppp]		
392.	Invalid Local Access	Printer: D6500 Mode: SIA Mode:	dd/dd tt:tt Lxx ACC aaaa PROG ACCESS BAD +++ ACC aaaa SDI=ddd hlrrlssssssaaaaaTsF01t <header>[#aaaa NpiddLU]	An unsuccessful attempt was made to locally access the account through the supervised keypad or other serial device specified in the second line of the report.	D9112
393.	Invalid Remote Access	Printer: D6500 Mode: SIA Mode:	dd/dd tt:tt Lxx ACC aaa TROUBLE ZN F hlrrlssssssaaaaaTssst <header>[#aaaa NBTF]	Abnormal RAM session termination or beginning of the Command 58 Fire Test.	2.
394.	Invalid Remote Access (phone not reported)	Printer: D6500 Mode: SIA Mode:	dd/dd tt:tt Lxx ACC aaaa RAM ACCESS FAIL +++ ACC aaaa PHONE#=5 hlrrlssssssaaaaaTssst <header>[#aaaa Nph5RU]	An unsuccessful attempt was made by a RAM to contact the account on the PHONE# specified in the second line of the report.	D9112
395.	Invalid Remote Access (from Call Back)	Printer: D6500 Mode: SIA Mode:	dd/dd tt:tt Lxx ACC aaaa RAM ACCESS FAIL +++ACC aaaa PH#=hh hlrrlssssssaaaaaTssst <header>[#aaaa NphhhRU]		
396.	Invalid Remote Access (no call back)	Printer: D6500 Mode: SIA Mode:	dd/dd tt:tt Lxx ACC aaaa RAM ACCESS FAIL hlrrlssssssaaaaaTssst <header>[#aaaa NpRU]	An unsuccessful attempt was made by a RAM to contact the account on the PHONE# specified in the second line of the report.	D9112
397.	Invalid Remote Access	Printer: D6500 Mode: SIA Mode:	dd/dd tt:tt Lxx ACC aaaa RAM ACCESS FAIL hlrrlssssssaaaaaTssst <header>[#aaaa NphhRU]	An unsuccessful attempt was made by a RAM to contact the account on the PHONE# specified in the second line of the report.	D7112
398.	Invalid Remote Access	Printer: D6500 Mode: SIA Mode:	dd/dd tt:tt Lxx ACC aaaa RAM ACCESS FAIL hlrrlssssssaaaaaTssst <header>[#aaaa NRU]	An unsuccessful attempt was made by a RAM to contact the account on the PHONE# specified in the second line of the report.	
399.	Invalid Report	Printer: D6500 Mode: SIA Mode:	dd/dd tt:tt Lxx ACC aaaa INVALID REPORT hlrrlssssssssssXss26t <header>[#aaaa NYN]		

Table 92: Modem IIIa² Messages (continued)

	Event	Device/Mode	Display	Explanation	Refer to Section C.1 Zonex and Comex Translation on page 137.
400.	Late Opening By Account	Printer: D6500 Mode: SIA Mode:	dd/dd tt:tt Lxx ACC aaaa LATE TO OPEN +++ ACC aaaa ID=iii h1rrlssssssaaaaaOsiiit <header>[#aaaa NidiiiOJ]	A user with the ID in the second line of the report disarmed the AREA after the programmed opening time window.	1.
401.	Late Opening By Account (ID not reported)	Printer: D6500 Mode: SIA Mode:	dd/dd tt:tt Lxx ACC aaaa LATE TO OPEN h1rrlssssssaaaaaOssts <header>[#aaaa NOJ]	A user with the ID in the second line of the report disarmed the AREA after the programmed opening time window.	1, D7112
402.	Late Opening By Area	Printer: D6500 Mode: SIA Mode:	dd/dd tt:tt Lxx ACC aaaa LATE TO OPEN +++ ACC aaaa AREA=a ID=iii h1rrlssssssaaaaaOsiiit <header>[#aaaa Nria/idiiiOJ]	A user with the ID in the second line of the report disarmed the AREA after the programmed opening time window.	1, D7112
403.	Late Opening By Area (ID not reported)	Printer: D6500 Mode: SIA Mode:	dd/dd tt:tt Lxx ACC aaaa LATE TO OPEN +++ ACC aaaa AREA=a h1rrlssssssaaaaaOssts <header>[#aaaa NriaOJ]	A user with the ID in the second line of the report disarmed the AREA after the programmed opening time window.	1, D7112
404.	Late To Close (7112 Only)	Printer: D6500 Mode: SIA Mode:	dd/dd tt:tt Lxx ACC aaaa CLOSING LATE h1rrlssssssaaaaaCssts <header>[#aaaa NCJ]		
405.	Late To Open (7112 Only)	Printer: D6500 Mode: SIA Mode:	dd/dd tt:tt Lxx ACC aaaa LATE TO OPEN h1rrlssssssaaaaaOssts <header>[#aaaa NOJ]		
406.	Listen In	Printer: D6500 Mode: SIA Mode:	dd/dd tt:tt Lxx ACC aaaa LISTEN IN h1rrlssssssaaaaa*sssst <header>[#aaaa NLF]		
407.	Listen In	Printer: D6500 Mode: SIA Mode:	dd/dd tt:tt Lxx ACC aaaa LISTEN jj h1rrlssssssaaaaa*sssst <header>[#aaaa NLF]		
408.	Log Threshold	Printer: D6500 Mode: SIA Mode:	dd/dd tt:tt Lxx ACC aaaa LOG THRESHOLD h1rrlssssssaaaaaTsD01t <header>[#aaaa NJL]	The log in the control panel reached the programmed percent full point programmed in item Log % Full (default Log Full = 85%).	
409.	Log Overflow	Printer: D6500 Mode: SIA Mode:	dd/dd tt:tt Lxx ACC aaaa LOG OVERFLOW h1rrlssssssaaaaaAsD01t <header>[#aaaa NJO]		
410.	Log Overflow Since Last Call	Printer: D6500 Mode: SIA Mode:	+++ ACC aaaa LOG OVERFLOW h1rrlssssssaaaaaSLssts <header>[#aaaa OJO]	The log in the control panel reached the programmed percent full point programmed in item Log % Full (default Log Full = 85%).	5.
411.	Log Threshold Since Last Call	Printer: D6500 Mode: SIA Mode:	+++ ACC aaaa LOG THRESHOLD h1rrlssssssaaaaaSBssts <header>[#aaaa OJL]		5.

Table 92: Modem IIIa² Messages (continued)

	Event	Device/Mode	Display	Explanation	Refer to Section C.1 Zonex and Comex Translation on page 137.
412.	Low Battery	Printer: D6500 Mode: SIA Mode:	dd/dd tt:tt LOW BATTERY RCVR rr hlrrssssssssssXssllt <header>[NYT]		
413.	Low Temperature (points < 255)	Printer: D6500 Mode: SIA Mode:	dd/dd tt:tt Lxx ACC aaaa LOW TEMPERATURE +++ACC aaaa AREA=a POINT=ppp hlrrlssssssaaaaLspppt <header>[#aaaa NriaZApp]		
414.	Low Temperature (points > 254)	Printer: D6500 Mode: SIA Mode:	dd/dd tt:tt Lxx ACC aaaa LOW TEMPERATURE +++ACC aaaa AREA=aa POINT=pppp hlrrlssssssaaaaLspppt <header>[#aaaa NriaZApp]		
415.	Low Temperature Restore (points < 255)	Printer: D6500 Mode: SIA Mode:	dd/dd tt:tt Lxx ACC aaaa LOW TEMP RESTOR +++ACC aaaa AREA=a POINT=ppp hlrrlssssssaaaaRLspppt <header>[#aaaa NriaZRp]		
416.	Low Temperature Restore (points > 254)	Printer: D6500 Mode: SIA Mode:	dd/dd tt:tt Lxx ACC aaaa LOW TEMP RESTOR +++ACC aaaa AREA=aa POINT=pppp hlrrlssssssaaaaRLspppt <header>[#aaaa NriaZRpp]		
417.	Missing Alarm	Printer: D6500 Mode: SIA Mode:	dd/dd tt:tt Lxx ACC aaaa MISSING ALARM +++ ACC aaaa AREA=a POINT=ppp hlrrlssssssaaaaMspppt <header>[#aaaa NriaUZpp]	The POINT in the AREA specified in the second line of the report is missing.	1, 10.
418.	Missing Alarm	Printer: D6500 Mode: SIA Mode:	dd/dd tt:tt Lxx ACC aaa ALARM ZN z hlrrlssssssaaaaAsstz <header>[#aaaa NBaz]		2, 9.
419.	Missing Alarm (Area Not Reported)	Printer: D6500 Mode: SIA Mode:	dd/dd tt:tt Lxx ACC aaaa MISSING ALARM +++ ACC aaaa POINT=ppp hlrrlssssssaaaaMspppt <header>[#aaaa NUZpp]	The POINT in the AREA specified in the second line of the report is missing.	
420.	Missing Alarm	Printer: D6500 Mode: SIA Mode:	dd/dd tt:tt Lxx ACC aaaa MISSING ALARM +++ ACC aaaa AREA=a POINT=ppp hlrrlssssssaaaaMspppt <header>[#aaaa NriaUZpp]	The POINT in the AREA specified in the second line of the report is missing.	
421.	Missing Alarm (points > 254)	Printer: D6500 Mode: SIA Mode:	dd/dd tt:tt Lxx ACC aaaa MISSING ALARM +++ACC aaaa AREA=aa POINT=pppp hlrrlssssssaaaaMppp <header>[#aaaa NriaUZpppp]		
422.	Missing Alarm - Cross Point (points < 255)	Printer: D6500 Mode: SIA Mode:	dd/dd tt:tt Lxx ACC aaaa MISSING ALARM +++ACC aaaa CROSS POINT +++ACC aaaa AREA=a CG=gg POINT=ppp hlrrlssssssaaaaMspppt <header>[#aaaa NriaXMpp]		
423.	Missing Alarm - Cross Point (points > 254)	Printer: D6500 Mode: SIA Mode:	dd/dd tt:tt Lxx ACC aaaa MISSING ALARM +++ACC aaaa CROSS POINT +++ACC aaaa AREA=aa CG=gg POINT=pppp hlrrlssssssaaaaMppp <header>[#aaaa NriaXMpppp]		
424.	Missing Alarm with Recent Closing Created due to alarm within 5 min of close (points > 254, users < 255)	Printer: D6500 Mode: SIA Mode:	dd/dd tt:tt Lxx ACC aaaa MISSING ALARM +++ACC aaaa RECENT CLOSING +++ACC aaaa AREA=aa ID=iii POINT=pppp hlrrlssssssaaaaMspppt <header>[#aaaa Nria/idiiCMpppp]		

Table 92: Modem IIIa² Messages (continued)

	Event	Device/Mode	Display	Explanation	Refer to Section C.1 Zonex and Comex Translation on page 137.
425.	Missing Alarm with Recent Closing Created due to alarm within 5 min of close (points > 254, users >254)	Printer: D6500 Mode: SIA Mode:	dd/dd tt:tt Lxx ACC aaaa MISSING ALARM +++ACC aaaa RECENT CLOSING +++ACC aaaa AREA=aa ID=iiii POINT=pppp hlrrlssssssaaaaasMppppt <header>[#aaaa Nriaa/idiiiiCmpppp]		
426.	Missing Alarm - Exit Error (points > 254, users < 255)	Printer: D6500 Mode: SIA Mode:	dd/dd tt:tt Lxx ACC aaaa MISSING ALARM +++ACC aaaa EXIT ERROR +++ACC aaaa AREA=aa ID=iii POINT=pppp hlrrlssssssaaaaasMppppt <header>[#aaaa Nriaa/idiiiiEZpppp]		
427.	Missing Alarm - Exit Error (points > 254, users > 254)	Printer: D6500 Mode: SIA Mode:	dd/dd tt:tt Lxx ACC aaaa MISSING ALARM +++ACC aaaa EXIT ERROR +++ACC aaaa AREA=aa ID=iiii POINT=pppp hlrrlssssssaaaaasMppppt <header>[#aaaa Nriaa/idiiiiEZpppp]		
428.	Missing Fire Supervision	Printer: D6500 Mode: SIA Mode:	dd/dd tt:tt Lxx ACC aaaa MISS FIR SUPRVN +++ ACC aaaa AREA=a POINT=ppp hlrrlssssssaaaaaGMppppt <header>[#aaaa NriaFZppp]		
429.	Missing Fire Supervision (points < 255)	Printer: D6500 Mode: SIA Mode:	dd/dd tt:tt Lxx ACC aaaa MISS FIR SUPRVN +++ACC aaaa WATER FLOW SENSOR +++ACC aaaa AREA=a POINT=ppp hlrrlssssssaaaaaGMppppt <header>[#aaaa NriaFZppp]		
430.	Missing Fire Supervision (points > 254)	Printer: D6500 Mode: SIA Mode:	dd/dd tt:tt Lxx ACC aaaa MISS FIR SUPRVN +++ACC aaaa AREA=aa POINT=pppp hlrrlssssssaaaaaGMppppt <header>[#aaaa NriaaFZpppp]		
431.	Missing Fire Supervision (points > 254)	Printer: D6500 Mode: SIA Mode:	dd/dd tt:tt Lxx ACC aaaa MISS FIR SUPRVN +++ACC aaaa WATER FLOW SENSOR +++ACC aaaa AREA=aa POINT=pppp hlrrlssssssaaaaaGMppppt <header>[#aaaa NriaaFZpppp]		
432.	Missing Supervision	Printer: D6500 Mode: SIA Mode:	dd/dd tt:tt Lxx ACC aaaa MISSING SUPRVSN +++ ACC aaaa AREA=a POINT=ppp hlrrlssssssaaaaaMTppppt <header>[#aaaa NriaBZppp]		
433.	Missing Supervision (points > 254)	Printer: D6500 Mode: SIA Mode:	dd/dd tt:tt Lxx ACC aaaa MISSING SUPRVSN +++ACC aaaa AREA=aa POINT=pppp hlrrlssssssaaaaaMTppppt <header>[#aaaa NriaaBZpppp]		
434.	Missing Tbl	Printer: D6500 Mode: SIA Mode:	dd/dd tt:tt Lxx ACC aaaa TROUBLE* ZN zyy hlrrlssssssaaaaasVszyyt <header>[#aaaa NUYzyy]		
435.	Missing Trouble	Printer: D6500 Mode: SIA Mode:	dd/dd tt:tt Lxx ACC aaa TROUBLE ZN z hlrrlssssssaaaaasTssst <header>[#aaaa NETz]		2.
436.	Missing Trouble	Printer: D6500 Mode: SIA Mode:	dd/dd tt:tt Lxx ACC aaaa MISSING TROUBLE +++ ACC aaaa AREA=a POINT=ppp hlrrlssssssaaaaasVspppt <header>[#aaaa NriaUYppp]	Trouble condition received from the POINT (programmed with a Fire Point code) in the AREA in the second line of the report.	1, 10.

Table 92: Modem IIIa² Messages (continued)

	Event	Device/Mode	Display	Explanation	Refer to Section C.1 Zonex and Comex Translation on page 137.
437.	Missing Trouble (Area Not Reported)	Printer: D6500 Mode: SIA Mode:	dd/dd tt:tt Lxx ACC aaaa MISSING TROUBLE +++ ACC aaaa POINT=ppp hlrrlssssssaaaaasVsppt <header>[#aaaa NUYppp]	Trouble condition received from the POINT (programmed with a Fire Point code) in the AREA in the second line of the report.	
438.	Missing Trouble (for use with Keyfob device) (points < 255)	Printer: D6500 Mode: SIA Mode:	dd/dd tt:tt Lxx ACC aaaa MISSING TROUBLE +++ACC aaaa KEYFOB +++ACC aaaa ID=iii hlrrlssssssaaaaasVsD10t <header>[#aaaa NidiiiUY]		
439.	Missing Trouble (points < 255)	Printer: D6500 Mode: SIA Mode:	dd/dd tt:tt Lxx ACC aaaa MISSING TROUBLE +++ACC aaaa AREA=a POINT=ppp hlrrlssssssaaaaasVsppt <header>[#aaaa NriaUYppp]		
440.	Missing Trouble (for use with Keyfob device) (points > 254)	Printer: D6500 Mode: SIA Mode:	dd/dd tt:tt Lxx ACC aaaa MISSING TROUBLE +++ACC aaaa AREA=a POINT=ppp hlrrlssssssaaaaasVsppt <header>[#aaaa NriaUYppp]		
441.	Missing Trouble (points > 254)	Printer: D6500 Mode: SIA Mode:	dd/dd tt:tt Lxx ACC aaaa MISSING TROUBLE +++ACC aaaa AREA=aa POINT=pppp hlrrlssssssaaaaasVpppt <header>[#aaaa NriaaUYpppp]		
442.	MPU Version	Printer: D6500 Mode: SIA Mode:	dd/dd tt:tt 6500 MPU vv.vv RCVR rr h3rrs 6500 MPU vv.vvt <header>[A6500 MPU vv.vv]		
443.	No Entry (Door Secured)	Printer: D6500 Mode: SIA Mode:	dd/dd tt:tt Lxx ACC aaaa NO ENTRY-SECURE +++ ACC aaaa AREA=a CRD=iii-x POINT=ppp hlrrlssssssaaaaADsppt <header>[#aaaa Nria/idiiiDZppp] or <header>[#aaaa Nria/idiii/ssxDZppp]		
444.	No Entry (Interlock Deny)	Printer: D6500 Mode: SIA Mode:	dd/dd tt:tt Lxx ACC aaaa NO ENTRY-INTRLK +++ ACC aaaa AREA=a CRD=iii-x POINT=ppp hlrrlssssssaaaaADsppt <header>[#aaaa Nria/idiiiDWppp] or <header>[#aaaa Nria/idiii/ssxDWppp]		
445.	No Entry (points < 255, user < 255) (Anti-Passback)	Printer: D6500 Mode: SIA Mode:	dd/dd tt:tt Lxx ACC aaaa NO ENTRY-PASSBK +++ACC aaaa AREA=a CRD=iii-x POINT=ppp hlrrlssssssaaaaADsppt <header>[#aaaa Nria/idiiiDlppp] or <header>[#aaaa Nria/idii/ssxDlppp]		
446.	No Entry (points > 254, users < 254) (Wrong Arming State)	Printer: D6500 Mode: SIA Mode:	dd/dd tt:tt Lxx ACC aaaa NO ENTRY-ARMED +++ACC aaaa AREA=aa CRD=iiii POINT=pppp hlrrlssssssaaaaADpppt <header>[#aaaa Nriaa/idiiiDQpppp]		
447.	No Entry (point > 254, users < 255) (Anti-Passback)	Printer: D6500 Mode: SIA Mode:	dd/dd tt:tt Lxx ACC aaaa NO ENTRY-PASSBK +++ACC aaaa AREA=aa CRD=iii-x POINT=pppp hlrrlssssssaaaaADpppt <header>[#aaaa Nriaa/idiiiDlppp] or <header>[#aaaa Nriaa/idiii/ssxDlppp]		The Modifier "/ssx" refers to the Data Type Address, not the Modifiers "idiii," or "piddd"
448.	No Entry (points > 254, users < 255) (Door Secured)	Printer: D6500 Mode: SIA Mode:	dd/dd tt:tt Lxx ACC aaaa NO ENTRY-SECURE +++ACC aaaa AREA=aa CRD=iii-x POINT=pppp hlrrlssssssaaaaADpppt <header>[#aaaa Nriaa/idiiiDZpppp] or <header>[#aaaa Nriaa/idiii/ssxDZpppp]		

Table 92: Modem IIIa² Messages (continued)

	Event	Device/Mode	Display	Explanation	Refer to Section C.1 Zonex and Comex Translation on page 137.
449.	No Entry (points > 254, users < 255) (Interlock Deny)	Printer: D6500 Mode: SIA Mode:	dd/dd tt:tt Lxx ACC aaaa NO ENTRY-INTRLK +++ACC aaaa AREA=aa CRD=iii-x POINT=pppp hlrrlssssssaaaaADppppt <header>[#aaaa Nriaa/idiidWpppp] or <header>[#aaaa Nriaa/idiid/ssxDWpppp]		
450.	No Entry (points > 254, users < 255) (No Rights in Area)	Printer: D6500 Mode: SIA Mode:	dd/dd tt:tt Lxx ACC aaaa NO ENTRY-LEVEL +++ACC aaaa AREA=aa CRD=iiii POINT=pppp hlrrlssssssaaaaADppppt <header>[#aaaa Nriaa/idiidVpppp]		
451.	No Entry (points > 254, users < 255) (Outside Time Window)	Printer: D6500 Mode: SIA Mode:	dd/dd tt:tt Lxx ACC aaaa NO ENTRY-TIME +++ACC aaaa AREA=aa CRD=iii-x POINT=pppp hlrrlssssssaaaaADppppt <header>[#aaaa Nriaa/idiidPpppp] or <header>[#aaaa Nriaa/idiid/ssxDPpppp]		
452.	No Entry (points > 254, users > 254) (Anti-Passback)	Printer: D6500 Mode: SIA Mode:	dd/dd tt:tt Lxx ACC aaaa NO ENTRY-PASSBK +++ACC aaaa AREA=aa CRD=iii-x POINT=pppp hlrrlssssssaaaaADppppt <header>[#aaaa Nriaa/idiidIpppp] or <header>[#aaaa Nriaa/idiid/ssxDIpppp]		
453.	No Entry (points > 254, users > 254) (Door Secured)	Printer: D6500 Mode: SIA Mode:	dd/dd tt:tt Lxx ACC aaaa NO ENTRY-SECURE +++ACC aaaa AREA=aa CRD=iiii POINT=pppp hlrrlssssssaaaaADppppt <header>[#aaaa Nriaa/idiidZpppp]		
454.	No Entry (points > 254, users > 254) (Interlock Deny)	Printer: D6500 Mode: SIA Mode:	dd/dd tt:tt Lxx ACC aaaa NO ENTRY-INTRLK +++ACC aaaa AREA=aa CRD=iiii POINT=pppp hlrrlssssssaaaaADppppt <header>[#aaaa Nriaa/idiidWpppp]		
455.	No Entry (points > 254, users > 254) (No Rights in Area)	Printer: D6500 Mode: SIA Mode:	dd/dd tt:tt Lxx ACC aaaa NO ENTRY-LEVEL +++ACC aaaa AREA=aa CRD=iiii POINT=pppp hlrrlssssssaaaaADppppt <header>[#aaaa Nriaa/idiidVpppp]		
456.	No Entry (points > 254, users > 254) (Wrong Arming State)	Printer: D6500 Mode: SIA Mode:	dd/dd tt:tt Lxx ACC aaaa NO ENTRY-ARMED +++ACC aaaa AREA=aa CRD=iii-x POINT=pppp hlrrlssssssaaaaADppppt <header>[#aaaa Nriaa/idiidQpppp] or <header>[#aaaa Nriaa/idiid/ssxDQpppp]		
457.	No Entry (points > 254, users > 254) (Outside Time Window)	Printer: D6500 Mode: SIA Mode:	dd/dd tt:tt Lxx ACC aaaa NO ENTRY-TIME +++ACC aaaa AREA=aa CRD=iiii POINT=pppp hlrrlssssssaaaaADppppt <header>[#aaaa Nriaa/idiidPpppp]		
458.	No Entry (No Rights in Area)	Printer: D6500 Mode: SIA Mode:	dd/dd tt:tt Lxx ACC aaaa NO ENTRY-LEVEL +++ ACC aaaa AREA=a CRD=iii-x POINT=ppp hlrrlssssssaaaaADsppt <header>[#aaaa Nria/idiidVppp] or <header>[#aaaa Nria/idiid/ssxDVppp]		
459.	No Entry (Outside Time Window)	Printer: D6500 Mode: SIA Mode:	dd/dd tt:tt Lxx ACC aaaa NO ENTRY-TIME +++ ACC aaaa AREA=a CRD=iii-x POINT=ppp hlrrlssssssaaaaADsppt <header>[#aaaa Nria/idiidPppp] or <header>[#aaaa Nria/idiid/ssxDPppp]		
460.	No Entry (Unknown ID)	Printer: D6500 Mode: SIA Mode:	dd/dd tt:tt Lxx ACC aaaa NO ENTRY-UNK ID +++ ACC aaaa AREA=a CRD=iii-x POINT=ppp hlrrlssssssaaaaADsppt <header>[#aaaa Nria/idiidDppp] or <header>[#aaaa Nria/idiid/ssxDDppp]		

Table 92: Modem IIIa² Messages (continued)

	Event	Device/Mode	Display	Explanation	Refer to Section C.1 Zonex and Comex Translation on page 137.
461.	No Entry (Wrong Arming State)	Printer: D6500 Mode: SIA Mode:	dd/dd tt:tt Lxx ACC aaaa NO ENTRY-ARMED +++ ACC aaaa AREA=a CRD=iii-x POINT=ppp hlrrlssssssaaaaADspppt <header>[#aaaa Nria/idiiiDQppp] or <header>[#aaaa Nria/idiii/ssxDQppp]		
462.	Opening	Printer: D6500 Mode: SIA Mode:	dd/dd tt:tt Lxx ACC aaaa OPENING REPORT hlrrlssssssaaaaaOsssst <header>[#aaaa NOP]	System disarmed. A user with the ID in the second line of the report disarmed the AREA.	
463.	Opening	Printer: D6500 Mode: SIA Mode:	dd/dd tt:tt Lxx ACC aaaa OPENING ZN I hlrrlssssssaaaaaOsssst <header>[#aaaa NOPI]		
464.	Opening	Printer: D6500 Mode: SIA Mode:	dd/dd tt:tt Lxx ACC aaaa OPENING ID I hlrrlssssssaaaaaOsssst <header>[#aaaa NOPI]		
465.	Opening	Printer: D6500 Mode: SIA Mode:	dd/dd tt:tt Lxx ACC aaaa OPENING ID iyy hlrrlssssssaaaaaOsiiyyt <header>[#aaaa NOPIyy]		
466.	Opening By Account	Printer: D6500 Mode: SIA Mode:	dd/dd tt:tt Lxx ACC aaaa OPENING REPORT hlrrlssssssaaaaaOsiiit <header>[#aaaa NidiiiOP]	System disarmed. A user with the ID in the second line of the report disarmed the AREA.	1.
467.	Opening By Account	Printer: D6500 Mode: SIA Mode:	dd/dd tt:tt Lxx ACC aaa OPENING REPORT hlrrlssssssaaaaaOsssst <header>[#aaaa NOP]	System disarmed. A user with the ID in the second line of the report disarmed the AREA.	1, D7112
468.	Opening By Account (ID not reported)	Printer: D6500 Mode: SIA Mode:	dd/dd tt:tt Lxx ACC aaa OPENING REPORT hlrrlssssssaaaaaOsssst <header>[#aaaa NOP]	System disarmed. A user with the ID in the second line of the report disarmed the AREA.	2, 9, D7112
469.	Opening By Account	Printer: D6500 Mode: SIA Mode:	dd/dd tt:tt Lxx ACC aaa OPENING ZN I hlrrlssssssaaaaaOsssst <header>[#aaaa NOPI]		2, 9.
470.	Opening By Account	Printer: D6500 Mode: SIA Mode:	dd/dd tt:tt Lxx ACC aaaa OPENING REPORT +++ ACC aaaa ID=iii hlrrlssssssaaaaaOsiiit <header>[#aaaa NidiiiOP]	System disarmed. A user with the ID in the second line of the report disarmed the AREA.	
471.	Opening by Account from Alarm	Printer: D6500 Mode: SIA Mode:	dd/dd tt:tt Lxx ACC aaaa OPEN FROM ALARM +++ ACC aaaa ID=iii hlrrlssssssaaaaaOsiiit <header>[#aaaa NidiiiOR]		
472.	Opening By Area	Printer: D6500 Mode: SIA Mode:	dd/dd tt:tt Lxx ACC aaaa OPENING REPORT +++ ACC aaaa AREA=a ID=iii hlrrlssssssaaaaaOsiiit <header>[#aaaa Nria/idiiiOP]	System disarmed. A user with the ID in the second line of the report disarmed the AREA.	
473.	Opening By Area	Printer: D6500 Mode: SIA Mode:	dd/dd tt:tt Lxx ACC aaaa OPENING REPORT +++ ACC aaaa AREA=a ID=iii hlrrlssssssaaaaaOsiiit <header>[#aaaa Nria/idiiiOP]	System disarmed. A user with the ID in the second line of the report disarmed the AREA.	1.

Table 92: Modem IIIa² Messages (continued)

	Event	Device/Mode	Display	Explanation	Refer to Section C.1 Zonex and Comex Translation on page 137.
474.	Opening by Area	Printer: D6500 Mode: SIA Mode:	dd/dd tt:tt Lxx ACC aaaa OPENING REPORT +++ACC aaaa AREA=a hlrrlssssssaaaaasOsssst <header>[#aaaa NriaOP]		
475.	Opening By Area (ID not reported)	Printer: D6500 Mode: SIA Mode:	dd/dd tt:tt Lxx ACC aaaa OPENING REPORT +++ ACC aaaa AREA=a hlrrlssssssaaaaasOsssst <header>[#aaaa NriaOP]	System disarmed. A user with the ID in the second line of the report disarmed the AREA.	1, D7112.
476.	Opening by Area (users > 254)	Printer: D6500 Mode: SIA Mode:	dd/dd tt:tt Lxx ACC aaaa OPENING REPORT +++ACC aaaa AREA=aa ID=iiii hlrrlssssssaaaaasOiiiiit <header>[#aaaa Nriaa/idiiiiOP]		
477.	Opening by Area (users < 255)	Printer: D6500 Mode: SIA Mode:	dd/dd tt:tt Lxx ACC aaaa OPENING REPORT +++ACC aaaa AREA=aa ID=iii hlrrlssssssaaaaasOiiiiit <header>[#aaaa Nriaa/idiiiiOP]		
478.	Opening by Area from Alarm	Printer: D6500 Mode: SIA Mode:	dd/dd tt:tt Lxx ACC aaaa OPEN FROM ALARM +++ACC aaaa AREA=a hlrrlssssssaaaaasOsssst <header>[#aaaa NriaOR]		
479.	Opening by Area from Alarm (users > 254)	Printer: D6500 Mode: SIA Mode:	dd/dd tt:tt Lxx ACC aaaa OPEN FROM ALARM +++ACC aaaa AREA=aa ID=iiii hlrrlssssssaaaaasOiiiiit <header>[#aaaa Nriaa/idiiiiOR]		
480.	Opening Early by Area	Printer: D6500 Mode: SIA Mode:	dd/dd tt:tt Lxx ACC aaaa EARLY TO OPEN +++ ACC aaaa AREA=a ID=iii hlrrlssssssaaaaasOiiiiit <header>[#aaaa Nria/idiiiiOK]	A user with the ID in the second line of the report disarmed the AREA before the programmed opening time window.	
481.	Opening Early by Area	Printer: D6500 Mode: SIA Mode:	dd/dd tt:tt Lxx ACC aaaa EARLY TO OPEN +++ACC aaaa AREA=a hlrrlssssssaaaaasOsssst <header>[#aaaa NriaOK]		
482.	Opening Early by Area (users > 254)	Printer: D6500 Mode: SIA Mode:	dd/dd tt:tt Lxx ACC aaaa EARLY TO OPEN +++ACC aaaa AREA=aa ID=iiii hlrrlssssssaaaaasOiiiiit <header>[#aaaa Nriaa/idiiiiOK]		
483.	Opening Early by Area from Alarm	Printer: D6500 Mode: SIA Mode:	dd/dd tt:tt Lxx ACC aaaa OP ERLY FRM-ALM +++ACC aaaa AREA=a hlrrlssssssaaaaasOsssst <header>[#aaaa NriaOH]		
484.	Opening Early by Area from Alarm (users > 254)	Printer: D6500 Mode: SIA Mode:	dd/dd tt:tt Lxx ACC aaaa OP ERLY FRM-ALM +++ACC aaaa AREA=aa ID=iiii hlrrlssssssaaaaasOiiiiit <header>[#aaaa Nriaa/idiiiiOH]		
485.	Opening Late by Area	Printer: D6500 Mode: SIA Mode:	dd/dd tt:tt Lxx ACC aaaa LATE TO OPEN +++ ACC aaaa AREA=a ID=iii hlrrlssssssaaaaasOiiiiit <header>[#aaaa Nria/idiiiiOJ]	A user with the ID in the second line of the report disarmed the AREA after the programmed opening time window.	
486.	Opening Late by Area	Printer: D6500 Mode: SIA Mode:	dd/dd tt:tt Lxx ACC aaaa LATE TO OPEN +++ACC aaaa AREA=a hlrrlssssssaaaaasOsssst <header>[#aaaa NriaOJ]		

Table 92: Modem IIIa² Messages (continued)

	Event	Device/Mode	Display	Explanation	Refer to Section C.1 Zonex and Comex Translation on page 137.
487.	Opening Late by Area (users > 254)	Printer: D6500 Mode: SIA Mode:	dd/dd tt:tt Lxx ACC aaaa LATE TO OPEN +++ACC aaaa AREA=aa ID=iiii hlrrlssssssaaaaasOiiiiit <header>[#aaaa Nriaa/idiiiiOJ]		
488.	Opening Late by Area from Alarm	Printer: D6500 Mode: SIA Mode:	dd/dd tt:tt Lxx ACC aaaa OP LATE FRM-ALM +++ACC aaaa AREA=a hlrrlssssssaaaaasOsssst <header>[#aaaa NriaOL]		
489.	Opening Late by Area from Alarm (users > 254)	Printer: D6500 Mode: SIA Mode:	dd/dd tt:tt Lxx ACC aaaa OP LATE FRM-ALM +++ACC aaaa AREA=aa ID=iiii hlrrlssssssaaaaasOiiiiit <header>[#aaaa Nriaa/idiiiiOL]		
490.	Output State (outputs < 255)	Printer: D6500 Mode: SIA Mode:	dd/dd tt:tt Lxx ACC aaaa OUTPUT-TROUBLE +++ACC aaaa OUTPUT=uuu hlrrlssssssaaaaasTsD47t <header>[#aaaa NOUuuu]		
491.	Output State (outputs > 254)	Printer: D6500 Mode: SIA Mode:	dd/dd tt:tt Lxx ACC aaaa OUTPUT-TROUBLE +++ACC aaaa OUTPUT=uuuu hlrrlssssssaaaaasTsD47t <header>[#aaaa NOUuuuu]		
492.	Output State Restore (outputs < 255)	Printer: D6500 Mode: SIA Mode:	dd/dd tt:tt Lxx ACC aaaa OUTPUT-TRBL RST +++ACC aaaa OUTPUT=uuu hlrrlssssssaaaaasRsD47t <header>[#aaaa NOVuuu]		
493.	Output State Restore (outputs > 254)	Printer: D6500 Mode: SIA Mode:	dd/dd tt:tt Lxx ACC aaaa OUTPUT-TRBL RST +++ACC aaaa OUTPUT=uuuu hlrrlssssssaaaaasRsD47t <header>[#aaaa NOVuuuu]		
494.	Paper In	Printer: D6500 Mode: SIA Mode:	dd/dd tt:tt PAPER IN RCVR rr hlrrssssssssssXss15t <header>[NVI]		
495.	Paper Out	Printer: D6500 Mode: SIA Mode:	dd/dd tt:tt PAPER OUT RCVR rr hlrrssssssssssXss16t <header>[NVO]		
496.	Parameters Changed	Printer: D6500 Mode: SIA Mode:	dd/dd tt:tt Lxx ACC aaaa PARAMS CHANGED hlrrlssssssaaaaasNsD02t <header>[#aaaa NYG]		
497.	Parameter Checksum Fail	Printer: D6500 Mode: SIA Mode:	dd/dd tt:tt Lxx ACC aaaa PARM CKSUM FAIL hlrrlssssssaaaaasTsD15t <header>[#aaaa NYF]	The program in the control panel parameters is corrupt. Send service immediately.	D9112
498.	Parameter Checksum Fail	Printer: D6500 Mode: SIA Mode:	dd/dd tt:tt Lxx ACC aaaa PARMS BAD CKSUM hlrrlssssssaaaaasTsD15t <header>[#aaaa NYF]		
499.	Parameter Checksum Fail (SDI Device and Point reported)	Printer: D6500 Mode: SIA Mode:	dd/dd tt:tt Lxx ACC aaaa PARMS BAD CKSUM +++ ACC aaaa POINT=ppp SDI=ddd hlrrlssssssaaaaasTsppt <header>[#aaaa NpiddYFppp]		
500.	Parameters Checksum Fail Since Last Call	Printer: D6500 Mode: SIA Mode:	+++ ACC aaaa PARAMS BAD CKSM hlrrlssssssaaaaasSMsssst <header>[#aaaa OYF]		5.
501.	Perimeter Delay (Area Not Reported)	Printer: D6500 Mode: SIA Mode:	dd/dd tt:tt Lxx ACC aaaa PERM DLAY ARMED +++ ACC aaaa ID=iii hlrrlssssssaaaaasCsiit <header>[#aaaa NidiiiNL]	A user with the ID in the second line of the report delay armed the perimeter of the AREA.	

Table 92: Modem IIIa² Messages (continued)

	Event	Device/Mode	Display	Explanation	Refer to Section C.1 Zonex and Comex Translation on page 137.
502.	Perimeter Delay by Area	Printer: D6500 Mode: SIA Mode:	dd/dd tt:tt Lxx ACC aaaa PERM DLAY ARMED +++ ACC aaaa AREA=a ID=iii hlrrlsssssaaaaasCsiit <header>[#aaaa Nria/idiiiNL]	A user with the ID in the second line of the report delay armed the perimeter of the AREA.	1.
503.	Perimeter Delay by Area (ID not reported)	Printer: D6500 Mode: SIA Mode:	dd/dd tt:tt Lxx ACC aaaa PERM DLAY ARMED +++ ACC aaaa AREA=a hlrrlsssssaaaaasCsssst <header>[#aaaa NriaNL]	A user with the ID in the second line of the report delay armed the perimeter of the AREA.	1, D7112
504.	Perimeter Delay by Area (User ID# > 254 reported)	Printer: D6500 Mode: SIA Mode:	dd/dd tt:tt Lxx ACC aaaa PERM DLAY ARMED +++ACC aaaa AREA=aa ID=iiii hlrrlsssssaaaaasCiiit <header>[#aaaa Nriaa/idiiiiNL]		
505.	Perimeter Delay by Area, User Defined (User Defined ID# > 254 reported)	Printer: D6500 Mode: SIA Mode:	dd/dd tt:tt Lxx ACC aaaa PERM DLAY ARMED +++ACC aaaa USER DEFINED +++ACC aaaa AREA=aa ID=iiii hlrrlsssssaaaaasCiiit <header>[#aaaa Nriaa/idiiiiNM]		
506.	Perimeter Instant (Area Not Reported)	Printer: D6500 Mode: SIA Mode:	dd/dd tt:tt Lxx ACC aaaa PERM INST ARMED +++ ACC aaaa ID=iii hlrrlsssssaaaaasCsiit <header>[#aaaa NidiiiNL]	A user with the ID in the second line of the report armed the perimeter of the AREA.	
507.	Perimeter Instant by Area	Printer: D6500 Mode: SIA Mode:	dd/dd tt:tt Lxx ACC aaaa PERM INST ARMED +++ ACC aaaa AREA=a ID=iii hlrrlsssssaaaaasCsiit <header>[#aaaa Nria/idiiiNL]	A user with the ID in the second line of the report armed the perimeter of the AREA.	1.
508.	Perimeter Instant by Area (ID not reported)	Printer: D6500 Mode: SIA Mode:	dd/dd tt:tt Lxx ACC aaaa PERM INST ARMED +++ ACC aaaa ID=ii hlrrlsssssaaaaasCsssst <header>[#aaaa NriaNL]	A user with the ID in the second line of the report armed the perimeter of the AREA.	1, D7112
509.	Perimeter Instant by Area (ID not reported)	Printer: D6500 Mode: SIA Mode:	dd/dd tt:tt Lxx ACC aaaa PERM INST ARMED +++ ACC aaaa AREA=a hlrrlsssssaaaaasCsssst <header>[#aaaa NriaNL]	A user with the ID in the second line of the report armed the perimeter of the AREA.	
510.	Perimeter Instant by Area (User ID# > 254 reported)	Printer: D6500 Mode: SIA Mode:	dd/dd tt:tt Lxx ACC aaaa PERM INST ARMED +++ACC aaaa AREA=aa ID=iiii hlrrlsssssaaaaasCiiit <header>[#aaaa Nriaa/idiiiiNL]		
511.	Perimeter Instant by Area, User Defined (User ID# > 254 reported)	Printer: D6500 Mode: SIA Mode:	dd/dd tt:tt Lxx ACC aaaa PERM INST ARMED +++ACC aaaa USER DEFINED +++ACC aaaa AREA=aa ID=iiii hlrrlsssssaaaaasCiiit <header>[#aaaa Nriaa/idiiiiNM]		
512.	Phone Line Fail (Line 1)	Printer: D6500 Mode: SIA Mode:	dd/dd tt:tt Lxx ACC aaaa PHONE LINE FAIL +++ ACC aaaa PHONE LINE=1 hlrrlsssssaaaaasTsssBt <header>[#aaaa NLT1]	The premises phone line in the second line of the report does not operate.	D7112
513.	Phone Line 1 Fail	Printer: D6500 Mode: SIA Mode:	dd/dd tt:tt Lxx ACC aaa TROUBLE ZN B hlrrlsssssaaaaasTsssBt <header>[#aaaa NBTB]	Primary Phone Line failure (two-line system).	2.

Table 92: Modem IIIa² Messages (continued)

	Event	Device/Mode	Display	Explanation	Refer to Section C.1 Zonex and Comex Translation on page 137.
514.	Phone Line 2 Fail	Printer: D6500 Mode: SIA Mode:	dd/dd tt:tt Lxx ACC aaa TROUBLE ZN C hlrrlssssssaaaaaTsssCt <header>[#aaaa NBTC]	Secondary Phone Line failure (two-line system).	2.
515.	Phone Line Fail (Line 2)	Printer: D6500 Mode: SIA Mode:	dd/dd tt:tt Lxx ACC aaaa PHONE LINE FAIL +++ ACC aaaa PHONE LINE=2 hlrrlssssssaaaaaTsssCt <header>[#aaaa NLT2]	The premises phone line in the second line of the report does not operate.	D7112
516.	Phone Line 1 Restoral	Printer: D6500 Mode: SIA Mode:	dd/dd tt:tt Lxx ACC aaa RESTORAL ZN B hlrrlssssssaaaaaRsssBt <header>[#aaaa NURB]	Primary Phone Line is restored (two line system).	2.
517.	Phone Line Restoral (Line 1)	Printer: D6500 Mode: SIA Mode:	dd/dd tt:tt Lxx ACC aaaa PHONE RESTORAL +++ ACC aaaa PHONE LINE=1 hlrrlssssssaaaaaRsssBt <header>[#aaaa NLR1]	The premises line in the second line of the report is restored.	D7112
518.	Phone Line 2 Restoral	Printer: D6500 Mode: SIA Mode:	dd/dd tt:tt Lxx ACC aaa RESTORAL ZN C hlrrlssssssaaaaaRsssCt <header>[#aaaa NURC]	Secondary Phone Line is restored (two line system).	2.
519.	Phone Line 2 Restoral (Line2)	Printer: D6500 Mode: SIA Mode:	dd/dd tt:tt Lxx ACC aaaa PHONE RESTORAL +++ ACC aaaa PHONE LINE=2 hlrrlssssssaaaaaRsssCt <header>[#aaaa NLR2]	The premises line in the second line of the report is restored.	D7112
520.	Phone Restored	Printer: D6500 Mode: SIA Mode:	dd/dd tt:tt Lxx PHONE RESTORED RCVR rr hlrrlssssssssssXsss6t <header>[NLR		
521.	Phone Troubled	Printer: D6500 Mode: SIA Mode:	dd/dd tt:tt Lxx PHONE TROUBLED RCVR rr hlrrlssssssssssXsss5t <header>[NLT]		
522.	Point Bus Fail	Printer: D6500 Mode: SIA Mode:	dd/dd tt:tt Lxx ACC aaaa PT BUS TROUBLE hlrrlssssssaaaaaTsssDt <header>[#aaaa NET]	Trouble on the data line for the points or keypads.	
523.	Point Bus Fail	Printer: D6500 Mode: SIA Mode:	dd/dd tt:tt Lxx ACC aaa TROUBLE ZN D hlrrlssssssaaaaaTsssDt <header>[#aaaa NBTD]	Zonex service required message: indicates a trouble condition on the data lines wiring from the POPEX Module to the POPITs. Trouble on wiring connecting control panel and keypads. Point bus, supervised keypad, printer, or other serial device trouble.	2.
524.	Point Bus Fail (area reported)	Printer: D6500 Mode: SIA Mode:	dd/dd tt:tt Lxx ACC aaaa PT BUS TROUBLE +++ACC aaaa AREA=aa hlrrlssssssaaaaaTsssDt <header>[#aaaa NriaaET]		
525.	Point Bus Fail Since Last Call	Printer: D6500 Mode: SIA Mode:	+++ ACC aaaa PT BUS TROUBLE hlrrlssssssaaaaaTsssst <header>[#aaaa OET]	Trouble on the data line for the points or keypads.	5.
526.	Point Bus Restoral	Printer: D6500 Mode: SIA Mode:	dd/dd tt:tt Lxx ACC aaaa PT BUS RESTORAL hlrrlssssssaaaaaRsssDt <header>[#aaaa NER]	Data line for the points or keypads restored.	

Table 92: Modem IIIa² Messages (continued)

	Event	Device/Mode	Display	Explanation	Refer to Section C.1 Zonex and Comex Translation on page 137.
527.	Point Bus Restoral	Printer: D6500 Mode: SIA Mode:	dd/dd tt:tt Lxx ACC aaa RESTORAL ZN D hlrrlssssssaaaaasRsssDt <header>[#aaaa NURD]	Zonex restoral message: indicates a trouble condition on the wiring from the POPEX Module to the POPITs was cleared. Wiring connecting the control panel and keypads restored. Point bus, supervised keypad, printer, or other serial device was restored.	2.
528.	Point Bus Restoral (area reported)	Printer: D6500 Mode: SIA Mode:	dd/dd tt:tt Lxx ACC aaaa PT BUS RESTORAL +++ACC aaaa AREA=aa hlrrlssssssaaaaasRsssDt <header>[#aaaa NriaaER]		
529.	Point Bypass	Printer: D6500 Mode: SIA Mode:	dd/dd tt:tt Lxx ACC aaaa POINT BYPASS +++ ACC aaaa AREA=a POINT=ppp ID=iii hlrrlssssssaaaaasNpppt <header>[#aaaa Nria/idiiiUBppp]	The POINT in the AREA specified in the second line of the report is faulted, and was bypassed by the user with the specified ID.	1, D7112
530.	Point Bypass	Printer: D6500 Mode: SIA Mode:	dd/dd tt:tt Lxx ACC aaa TROUBLE ZN z hlrrlssssssaaaaasTssszt <header>[#aaaa NBZ]		9, D7112
531.	Point Bypass (Area and ID Not Reported)	Printer: D6500 Mode: SIA Mode:	dd/dd tt:tt Lxx ACC aaaa POINT BYPASS +++ ACC aaaa POINT=ppp hlrrlssssssaaaaasNpppt <header>[#aaaa NUBppp]	The POINT in the AREA specified in the second line of the report is faulted, and was bypassed by the user with the specified ID.	
532.	Point Bypass (ID not reported)	Printer: D6500 Mode: SIA Mode:	dd/dd tt:tt Lxx ACC aaaa POINT BYPASS +++ ACC aaaa AREA=a POINT=ppp hlrrlssssssaaaaasNpppt <header>[#aaaa NriaUBppp]	The POINT in the AREA specified in the second line of the report is faulted, and was bypassed by the user with the specified ID.	1, D7112
533.	Point Bypass (point < 255)	Printer: D6500 Mode: SIA Mode:	dd/dd tt:tt Lxx ACC aaaa POINT BYPASS +++ACC aaaa AREA=a POINT=ppp hlrrlssssssaaaaasNpppt <header>[#aaaa NriaUBppp]		
534.	Point Bypass (point < 255) (fire point)	Printer: D6500 Mode: SIA Mode:	dd/dd tt:tt Lxx ACC aaaa POINT BYPASS +++ACC aaaa FIRE POINT +++ACC aaaa AREA=a POINT=ppp hlrrlssssssaaaaasNpppt <header>[#aaaa NriaFBppp]		
535.	Point Bypass (point > 254) (fire point)	Printer: D6500 Mode: SIA Mode:	dd/dd tt:tt Lxx ACC aaaa POINT BYPASS +++ACC aaaa FIRE POINT +++ACC aaaa AREA=a POINT=pppp hlrrlssssssaaaaasNpppt <header>[#aaaa NriaaFBpppp]		
536.	Point Bypass (point < 255) (supervisory point)	Printer: D6500 Mode: SIA Mode:	dd/dd tt:tt Lxx ACC aaaa POINT BYPASS +++ACC aaaa SUPERVISORY POINT +++ACC aaaa AREA=a POINT=ppp hlrrlssssssaaaaasNpppt <header>[#aaaa NriaSBppp]		

Table 92: Modem IIIa² Messages (continued)

	Event	Device/Mode	Display	Explanation	Refer to Section C.1 Zonex and Comex Translation on page 137.
537.	Point Bypass (point > 254) (supervisory point)	Printer: D6500 Mode: SIA Mode:	dd/dd tt:tt Lxx ACC aaaa POINT BYPASS +++ACC aaaa SUPERVISORY POINT +++ACC aaaa AREA=a POINT=pppp hlrrlssssssaaaaasNppppt <header>[#aaaa NriaasBpppp]		
538.	Point Bypass (point < 255) (waterflow point)	Printer: D6500 Mode: SIA Mode:	dd/dd tt:tt Lxx ACC aaaa POINT BYPASS +++ACC aaaa WATERFLOW POINT +++ACC aaaa AREA=a POINT=ppp hlrrlssssssaaaaasNppppt <header>[#aaaa NriaaWBppp]		
539.	Point Bypass (point > 254) (waterflow point)	Printer: D6500 Mode: SIA Mode:	dd/dd tt:tt Lxx ACC aaaa POINT BYPASS +++ACC aaaa WATERFLOW POINT +++ACC aaaa AREA=a POINT=pppp hlrrlssssssaaaaasNppppt <header>[#aaaa NriaaWBpppp]		
540.	Point Bypass (point > 254)	Printer: D6500 Mode: SIA Mode:	dd/dd tt:tt Lxx ACC aaaa POINT BYPASS +++ACC aaaa AREA=aa POINT=pppp hlrrlssssssaaaaasNppppt <header>[#aaaa NriaaUBpppp]		
541.	Point Closing	Printer: D6500 Mode: SIA Mode:	dd/dd tt:tt Lxx ACC aaaa POINT CLOSING +++ ACC aaaa AREA=a POINT=ppp hlrrlssssssaaaaasCsppt <header>[#aaaa NriaaCZppp]	The POINT in the AREA in the second line of the report was armed.	1, 10.
542.	Point Closing (points > 254)	Printer: D6500 Mode: SIA Mode:	dd/dd tt:tt Lxx ACC aaaa POINT CLOSING +++ACC aaaa AREA=aa POINT=pppp hlrrlssssssaaaaasCppppt <header>[#aaaa NriaaCZpppp]		
543.	Point Opening	Printer: D6500 Mode: SIA Mode:	dd/dd tt:tt Lxx ACC aaaa POINT OPENING +++ ACC aaaa AREA=a POINT=ppp hlrrlssssssaaaaasOsppt <header>[#aaaa NriaaOZppp]	The POINT in the AREA in the second line of the report was armed.	1, 10.
544.	Point Opening (points > 254)	Printer: D6500 Mode: SIA Mode:	dd/dd tt:tt Lxx ACC aaaa POINT OPENING +++ACC aaaa AREA=aa POINT=pppp hlrrlssssssaaaaasOppppt <header>[#aaaa NriaaOZpppp]		
545.	Point Text	Printer: D6500 Mode: SIA Mode:	+++ ACC aaaa (point text) no message no message		D9112
546.	Power Fail	Printer: D6500 Mode: SIA Mode:	dd/dd tt:tt Lxx ACC aaaa AC FAILED hlrrlssssssaaaaasPssst <header>[#aaaa NAT]	No AC power. Control panel is running on battery power only. This report is sent along with the next report transmitted. It is not transmitted independently.	
547.	Programmer Bypass	Printer: D6500 Mode: SIA Mode:	dd/dd tt:tt Lxx ACC aaaa PROGRAMR BYPASS +++ ACC aaaa AREA=a POINT=ppp SDI=ddd hlrrlssssssaaaaasNsppt <header>[#aaaa Nria/piddUBppp]	The POINT in the AREA in the second line of the report is faulted, and was bypassed by a programmer with the specified serial device number when the system was armed.	1, D9112

Table 92: Modem IIIa² Messages (continued)

	Event	Device/Mode	Display	Explanation	Refer to Section C.1 Zonex and Comex Translation on page 137.
548.	Programmer Bypass	Printer: D6500 Mode: SIA Mode:	dd/dd tt:tt Lxx ACC aaa TROUBLE ZN z hlrrlssssssaaaaaSTsszt <header>[#aaaa NBTz]		9, D9112
549.	Printer Off Line	Printer: D6500 Mode: SIA Mode:	dd/dd tt:tt PRINTER OFFLINE RCVR rr hlrrssssssssssXss20t <header>[NVZ]		
550.	Printer On Line	Printer: D6500 Mode: SIA Mode:	dd/dd tt:tt PRINTER ONLINE RCVR rr hlrrssssssssssXss19t <header>[NVY]		
551.	Printer Restoral	Printer: D6500 Mode: SIA Mode:	dd/dd tt:tt PRINTER RESTORAL RCVR rr hlrrssssssssssXss22t <header>[NVR]		
552.	Printer Status - Off Line	Printer: D6500 Mode: SIA Mode:	dd/dd tt:tt Lxx ACC aaaa PRINTR-OFF LINE +++ACC aaaa SDI=ddd hlrrlssssssaaaaaSTssst <header>[#aaaa NpiddVZ]		
553.	Printer Status - On Line	Printer: D6500 Mode: SIA Mode:	dd/dd tt:tt Lxx ACC aaaa PRINTER-ON LINE +++ACC aaaa SDI=ddd hlrrlssssssaaaaaSTssst <header>[#aaaa NpiddVY]		
554.	Printer - Paper In	Printer: D6500 Mode: SIA Mode:	dd/dd tt:tt Lxx ACC aaaa PRINTR-PAPER IN +++ACC aaaa SDI=ddd hlrrlssssssaaaaaSTssst <header>[#aaaa NpiddVI]		
555.	Printer - Paper Out	Printer: D6500 Mode: SIA Mode:	dd/dd tt:tt Lxx ACC aaaa PRINTR-PAPER OUT +++ACC aaaa SDI=ddd hlrrlssssssaaaaaSTssst <header>[#aaaa NpiddVO]		
556.	Printer Trouble	Printer: D6500 Mode: SIA Mode:	dd/dd tt:tt PRINTER TROUBLE RCVR rr hlrrssssssssssXss21t <header>[NVT]		
557.	Printer Version	Printer: D6500 Mode: SIA Mode:	dd/dd tt:tt PRINTER vv.vv RCVR rr h3rrs PRINTER vv.vvt <header>[APRINTER vv.vv]		
558.	Programmer Bypass (point > 254)	Printer: D6500 Mode: SIA Mode:	dd/dd tt:tt Lxx ACC aaaa PROGRAMR BYPASS +++ACC aaaa AREA=aa POINT=pppp SDI=ddd hlrrlssssssaaaaaNppppt <header>[#aaaa Nriaa/piddUBpppp]		
559.	Programmer In	Printer: D6500 Mode: SIA Mode:	dd/dd tt:tt PROGRAM MODE IN RCVR rr hlrrssssssssssXss17t <header>[NLB]		
560.	Programmer Out	Printer: D6500 Mode: SIA Mode:	dd/dd tt:tt PROGRAM MODE OUT RCVR rr hlrrssssssssssXss18t <header>[NLD]		
561.	Pulse Error	Printer: D6500 Mode: SIA Mode:	dd/dd tt:tt Lxx PULSE ERROR # ## RCVR rr h3rrlPULSE ERROR # ##t <header>[APULSE ERROR # ##]		
562.	RAM Access Fail (Call Back)	Printer: D6500 Mode: SIA Mode:	dd/dd tt:tt Lxx ACC aaaa RAM ACCESS FAIL hlrrlssssssaaaaaSTssFt <header>[#aaaa NRU]	An unsuccessful attempt was made by a RAM to contact the account on the PHONE# specified in the second line of the report.	

Table 92: Modem IIIa² Messages (continued)

	Event	Device/Mode	Display	Explanation	Refer to Section C.1 Zonex and Comex Translation on page 137.
563.	RAM Access Fail (No Call Back)	Printer: D6500 Mode: SIA Mode:	dd/dd tt:tt Lxx ACC aaaa RAM ACCESS FAIL +++ ACC aaaa PHONE#=h hlrrlssssssaaaaasTsssFt <header>[#aaaa NphhRU]	An unsuccessful attempt was made by a RAM to contact the account on the PHONE# specified in the second line of the report.	
564.	RAM Access OK (from Call Back)	Printer: D6500 Mode: SIA Mode:	dd/dd tt:tt Lxx ACC aaaa RAM ACCESS OK +++ ACC aaaa PHONE#=h hlrrlssssssaaaaasRsssFt <header>[#aaaa NphhRS]	The account was contacted by a RAM on the PHONE# specified in the second line of the report.	
565.	RAM Access OK (via Phone Line)	Printer: D6500 Mode: SIA Mode:	dd/dd tt:tt Lxx ACC aaaa RAM ACCESS OK hlrrlssssssaaaaasRsssFt <header>[#aaaa NRS]	The account was contacted by a RAM on the PHONE# specified in the second line of the report.	
566.	Re-Boot	Printer: D6500 Mode: SIA Mode:	dd/dd tt:tt Lxx ACC aaaa RE-BOOT hlrrlssssssaaaaasNsD14t <header>[#aaaa NRR]	The control panel was reset.	
567.	Re-Boot	Printer: D6500 Mode: SIA Mode:	dd/dd tt:tt Lxx ACC aaa RESTORAL ZN 9 hlrrlssssssaaaaasRsss9t <header>[#aaaa NUR9]	Battery restoral report, control panel reboot, watchdog reset, power reset, or ResetBye with RAM. Control panel reboot, watchdog reset, power reset, or ResetBye with RAM (can also be Battery Restoral Report for D7112).	2, D9112
568.	Re-Boot (SDI Device and Point reported)	Printer: D6500 Mode: SIA Mode:	dd/dd tt:tt Lxx ACC aaaa RE-BOOT +++ ACC aaaa POINT=ppp SDI=ddd hlrrlssssssaaaaasNsppt <header>[#aaaa NpiddRRppp]	The control panel was reset.	
569.	Reject Command	Printer: D6500 Mode: SIA Mode:	dd/dd tt:tt REJECT COMMAND RCVR rr h3rrsREJECT COMMANDsst <LF><CR><TAB><seq#><rec#><line#>[REJECT COMMAND]<CR>		
570.	Relay Reset (by Programmer)	Printer: D6500 Mode: SIA Mode:	dd/dd tt:tt Lxx ACC aaaa RELAY RESET +++ ACC aaaa BY PROGRAMMER +++ ACC aaaa RELAY#=rrr SDI=ddd hlrrlssssssaaaaasNsD22t <header>[#aaaa NpiddRORrr]	The RELAY specified in the second line of the report was reset.	
571.	Relay Reset (by RAM)	Printer: D6500 Mode: SIA Mode:	dd/dd tt:tt Lxx ACC aaaa RELAY RESET +++ ACC aaaa BY REMOTE +++ ACC aaaa RELAY#=rrr hlrrlssssssaaaaasNsD24t <header>[#aaaa NROrrr]	The RELAY specified in the second line of the report was reset.	
572.	Relay Reset (by SKED)	Printer: D6500 Mode: SIA Mode:	dd/dd tt:tt Lxx ACC aaaa RELAY RESET +++ ACC aaaa BY SKED +++ ACC aaaa RELAY#=rrr SKED=kk hlrrlssssssaaaaasNsD20t <header>[#aaaa NaikkROrrr]	The RELAY specified in the second line of the report was reset.	

Table 92: Modem IIIa² Messages (continued)

	Event	Device/Mode	Display	Explanation	Refer to Section C.1 Zonex and Comex Translation on page 137.
573.	Relay Reset (by USER)	Printer: D6500 Mode: SIA Mode:	dd/dd tt:tt Lxx ACC aaaa RELAY RESET +++ ACC aaaa BY USER +++ ACC aaaa ID=iii RELAY#=rrr hlrrlssssssaaaaasNsD18t <header>[#aaaa NidiiiROrrr]	The RELAY specified in the second line of the report was reset.	
574.	Relay Reset (relay <255, user > 254) (by USER)	Printer: D6500 Mode: SIA Mode:	dd/dd tt:tt Lxx ACC aaaa RELAY RESET +++ACC aaaa BY USER +++ACC aaaa ID=iiii RELAY#=rrr hlrrlssssssaaaaasNsD18t <header>[#aaaa NidiiiiROrrr]		
575.	Relay Reset (relay > 254) (by SKED)	Printer: D6500 Mode: SIA Mode:	dd/dd tt:tt Lxx ACC aaaa RELAY RESET +++ACC aaaa BY SKED +++ACC aaaa RELAY#=rrrr SKED=kkk hlrrlssssssaaaaasNsD20t <header>[#aaaa NaikkkROrrrr]		
576.	Relay Reset (relay > 254) (by Programmer)	Printer: D6500 Mode: SIA Mode:	dd/dd tt:tt Lxx ACC aaaa RELAY RESET +++ACC aaaa BY PROGRAMMER +++ACC aaaa RELAY#=rrrr SDI=ddd hlrrlssssssaaaaasNsD22t <header>[#aaaa NpidddROrrrr]		
577.	Relay Reset (relay > 254) (by RAM)	Printer: D6500 Mode: SIA Mode:	dd/dd tt:tt Lxx ACC aaaa RELAY RESET +++ACC aaaa BY REMOTE +++ACC aaaa RELAY#=rrrr hlrrlssssssaaaaasNsD24t <header>[#aaaa NROrrrr]		
578.	Relay Reset (relay >254, user < 255) (by USER)	Printer: D6500 Mode: SIA Mode:	dd/dd tt:tt Lxx ACC aaaa RELAY RESET +++ACC aaaa BY USER +++ACC aaaa ID=iii RELAY#=rrrr hlrrlssssssaaaaasNsD18t <header>[#aaaa NidiiiROrrrr]		
579.	Relay Reset (relay >254, user > 254) (by USER)	Printer: D6500 Mode: SIA Mode:	dd/dd tt:tt Lxx ACC aaaa RELAY RESET +++ACC aaaa BY USER +++ACC aaaa ID=iiii RELAY#=rrrr hlrrlssssssaaaaasNsD18t <header>[#aaaa NidiiiiROrrrr]		
580.	Relay Reset by Sked	Printer: D6500 Mode: SIA Mode:	dd/dd tt:tt Lxx ACC aaaa RELAY RESET +++ ACC aaaa RELAY#=rrr SKED=kk hlrrlssssssaaaaasNsD20t <header>[#aaaa NaikrORrr]	The RELAY specified in the second line of the report was reset.	7, D9112
581.	Relay Reset by User	Printer: D6500 Mode: SIA Mode:	dd/dd tt:tt Lxx ACC aaaa RELAY RESET +++ ACC aaaa ID=iii RELAY#=rrr hlrrlssssssaaaaasNsD18t <header>[#aaaa NidiiiROrrr]	The RELAY specified in the second line of the report was reset.	1, 7, D9112
582.	Relay Set (by Programmer)	Printer: D6500 Mode: SIA Mode:	dd/dd tt:tt Lxx ACC aaaa RELAY SET +++ ACC aaaa BY PROGRAMMER +++ ACC aaaa RELAY#=rrr SDI=ddd hlrrlssssssaaaaasNsD21t <header>[#aaaa NpidddRCrrr]	The RELAY specified in the second line of the report was set.	
583.	Relay Set (by RAM)	Printer: D6500 Mode: SIA Mode:	dd/dd tt:tt Lxx ACC aaaa RELAY SET +++ ACC aaaa BY REMOTE +++ ACC aaaa RELAY#=rrrr hlrrlssssssaaaaasNsD23t <header>[#aaaa NRCrrr]	The RELAY specified in the second line of the report was set.	
584.	Relay Set (by SKED)	Printer: D6500 Mode: SIA Mode:	dd/dd tt:tt Lxx ACC aaaa RELAY SET +++ ACC aaaa BY SKED +++ ACC aaaa RELAY#=rrr SKED=kk hlrrlssssssaaaaasNsD19t <header>[#aaaa NaikrCrrr]	The RELAY specified in the second line of the report was set.	

Table 92: Modem IIIa² Messages (continued)

	Event	Device/Mode	Display	Explanation	Refer to Section C.1 Zonex and Comex Translation on page 137.
585.	Relay Set (by USER)	Printer: D6500 Mode: SIA Mode:	dd/dd tt:tt Lxx ACC aaaa RELAY SET +++ ACC aaaa BY USER +++ ACC aaaa ID=iii RELAY#=rrr hlrrlssssssaaaaasNsD28t <header>[#aaaa NidiiiRCrrr]	The RELAY specified in the second line of the report was set.	
586.	Relay Set (relay <255, user > 254) (by USER)	Printer: D6500 Mode: SIA Mode:	dd/dd tt:tt Lxx ACC aaaa RELAY SET +++ACC aaaa BY USER +++ACC aaaa ID=iiii RELAY#=rrr hlrrlssssssaaaaasNsD28t <header>[#aaaa NidiiiiRCrrr]		
587.	Relay Set (relay > 254) (by Programmer)	Printer: D6500 Mode: SIA Mode:	dd/dd tt:tt Lxx ACC aaaa RELAY SET +++ACC aaaa BY PROGRAMMER +++ACC aaaa RELAY#=rrrr SDI=ddd hlrrlssssssaaaaasNsD21t <header>[#aaaa NpidddRCrrrr]		
588.	Relay Set (relay > 254) (by RAM)	Printer: D6500 Mode: SIA Mode:	dd/dd tt:tt Lxx ACC aaaa RELAY SET +++ACC aaaa BY REMOTE +++ACC aaaa RELAY#=rrrr hlrrlssssssaaaaasNsD23t <header>[#aaaa NRCrrrr]		
589.	Relay Set (relay > 254) (by SKED)	Printer: D6500 Mode: SIA Mode:	dd/dd tt:tt Lxx ACC aaaa RELAY SET +++ACC aaaa BY SKED +++ACC aaaa RELAY#=rrrr SKED=kkk hlrrlssssssaaaaasNsD19t <header>[#aaaa NaikkRCrrrr]		
590.	Relay Set (relay >254, user < 255) (by USER)	Printer: D6500 Mode: SIA Mode:	dd/dd tt:tt Lxx ACC aaaa RELAY SET +++ACC aaaa BY USER +++ACC aaaa ID=iii RELAY#=rrrr hlrrlssssssaaaaasNsD28t <header>[#aaaa NidiiiRCrrrr]		
591.	Relay Set (relay >254, user > 254) (by USER)	Printer: D6500 Mode: SIA Mode:	dd/dd tt:tt Lxx ACC aaaa RELAY SET +++ACC aaaa BY USER +++ACC aaaa ID=iii RELAY#=rrrr hlrrlssssssaaaaasNsD28t <header>[#aaaa NidiiiRCrrrr]		
592.	Relay Set by Sked	Printer: D6500 Mode: SIA Mode:	dd/dd tt:tt Lxx ACC aaaa RELAY SET +++ ACC aaaa RELAY#=rrr SKED=kk hlrrlssssssaaaaasNsD19t <header>[#aaaa NaikkRCrrr]	The RELAY specified in the second line of the report was set.	7, D9112
593.	Relay Set by User	Printer: D6500 Mode: SIA Mode:	dd/dd tt:tt Lxx ACC aaaa RELAY SET +++ ACC aaaa ID=iii RELAY#=rrr hlrrlssssssaaaaasNsD28t <header>[#aaaa NidiiiRCrrr]	The RELAY specified in the second line of the report was set.	1, 7, D9112
594.	Remote Bypass	Printer: D6500 Mode: SIA Mode:	dd/dd tt:tt Lxx ACC aaaa RAM BYPASS +++ ACC aaaa AREA=a POINT=ppp PHONE#=h hlrrlssssssaaaaasNspppt <header>[#aaaa Nria/phhUBppp]	The POINT in the AREA specified in the second line of the report is faulted, and was bypassed by a RAM through through the specified phone line.	1, D9112
595.	Remote Bypass	Printer: D6500 Mode: SIA Mode:	dd/dd tt:tt Lxx ACC aaa TROUBLE ZN z hlrrlssssssaaaaasTssst <header>[#aaaa NBZ]		9, D9112
596.	Remote Bypass (Call back) (point > 254)	Printer: D6500 Mode: SIA Mode:	dd/dd tt:tt Lxx ACC aaaa RAM BYPASS +++ACC aaaa AREA=aa POINT=pppp PH#=hh hlrrlssssssaaaaasNpppt <header>[#aaaa Nriaa/phhhUBpppp]		

Table 92: Modem IIIa² Messages (continued)

	Event	Device/Mode	Display	Explanation	Refer to Section C.1 Zonex and Comex Translation on page 137.
597.	Remote Bypass (No Call back) (point > 254)	Printer: D6500 Mode: SIA Mode:	dd/dd tt:tt Lxx ACC aaaa RAM BYPASS +++ACC aaaa AREA=aa POINT=pppp hlrrlssssssaaaaasNppppt <header>[#aaaa NriaaUBpppp]		
598.	Remote Reset	Printer: D6500 Mode: SIA Mode:	dd/dd tt:tt Lxx ACC aaaa REMOTE RESET hlrrlssssssaaaaasNsD11t <header>[#aaaa NRN]	The control panel power was reset using RAM.	D9112
599.	Remote Reset	Printer: D6500 Mode: SIA Mode:	dd/dd tt:tt Lxx ACC aaa RESTORAL ZN 9 hlrrlssssssaaaaasRsss9t <header>[#aaaa NUR9]	Battery restoral report, control panel reboot, watchdog reset, power reset, or ResetBye with RAM, control panel reboot, watchdog reset, power reset, or ResetBye with RAM (can also be battery restoral report for D7112).	D9112
600.	Restoral	Printer: D6500 Mode: SIA Mode:	dd/dd tt:tt Lxx ACC aaaa RESTORAL REPORT hlrrlssssssaaaaasRsssst <header>[#aaaa NUR]	Unexpanded restoral report. Command 41. The POINT in the AREA in the second line of the report was restored.	
601.	Restoral	Printer: D6500 Mode: SIA Mode:	dd/dd tt:tt Lxx ACC aaaa RESTORAL ZN z hlrrlssssssaaaaasRssszt <header>[#aaaa NURz]		2, 9.
602.	Restoral	Printer: D6500 Mode: SIA Mode:	dd/dd tt:tt Lxx ACC aaaa RESTORAL ZN zyy hlrrlssssssaaaaasRszyyt <header>[#aaaa NURzyy]		
603.	Restoral	Printer: D6500 Mode: SIA Mode:	dd/dd tt:tt Lxx ACC aaaa RESTORAL ZN xx hlrrlssssssaaaaasRssxxt <header>[#aaaa NURxx]		
604.	Restoral	Printer: D6500 Mode: SIA Mode:	dd/dd tt:tt Lxx ACC aaaa RESTORAL ZN 16 hlrrlssssssaaaaasRss16t <header>[#aaaa NUR16]		
605.	Restoral (Area Not Reported)	Printer: D6500 Mode: SIA Mode:	dd/dd tt:tt Lxx ACC aaaa RESTORAL REPORT +++ ACC aaaa POINT=ppp hlrrlssssssaaaaasRsppt <header>[#aaaa NBRppp]	Unexpanded restoral report. Command 41. The POINT in the AREA in the second line of the report was restored.	
606.	Restoral (From Trouble, Missing, Non-Fire Supervision)	Printer: D6500 Mode: SIA Mode:	dd/dd tt:tt Lxx ACC aaaa RESTORAL REPORT +++ ACC aaaa AREA=a POINT=ppp hlrrlssssssaaaaasRsppt <header>[#aaaa NriaBRppp]	Unexpanded restoral report. Command 41. The POINT in the AREA in the second line of the report was restored.	
607.	Restoral Fire	Printer: D6500 Mode: SIA Mode:	dd/dd tt:tt Lxx ACC aaaa RESTORAL FR z hlrrlssssssaaaaasHssszt <header>[#aaaa NFRz]		
608.	Restoral from Alarm	Printer: D6500 Mode: SIA Mode:	dd/dd tt:tt Lxx ACC aaaa RESTORE FRM ALM +++ ACC aaaa AREA=a POINT=ppp hlrrlssssssaaaaasRsppt <header>[#aaaa NriaBHppp]		

Table 92: Modem IIIa² Messages (continued)

	Event	Device/Mode	Display	Explanation	Refer to Section C.1 Zonex and Comex Translation on page 137.
609.	Restoral from Alarm (no area)	Printer: D6500 Mode: SIA Mode:	dd/dd tt:tt Lxx ACC aaaa RESTORE FRM ALM +++ACC aaaa POINT=ppp hlrrlssssssaaaaasRsppt <header>[#aaaa NBHppp]		
610.	Restoral from Alarm (points > 254)	Printer: D6500 Mode: SIA Mode:	dd/dd tt:tt Lxx ACC aaaa RESTORE FRM ALM +++ACC aaaa AREA=aa POINT=pppp hlrrlssssssaaaaasRpppt <header>[#aaaa NriaaBHpppp]		
611.	Restoral (user < 255) (for use with Keyfob device) (from trouble, missing, non-fire supervision)	Printer: D6500 Mode: SIA Mode:	dd/dd tt:tt Lxx ACC aaaa RESTORAL REPORT +++ACC aaaa KEYFOB +++ACC aaaa ID=iii hlrrlssssssaaaaasRsD10t <header>[#aaaa NidiiiUR]		
612.	Restoral (points > 254) (from trouble, missing, non-fire supervision)	Printer: D6500 Mode: SIA Mode:	dd/dd tt:tt Lxx ACC aaaa RESTORAL REPORT +++ACC aaaa AREA=aa POINT=pppp hlrrlssssssaaaaasRpppt <header>[#aaaa NriaaBRpppp]		
613.	RF Battery Restore (Area Not Reported)	Printer: D6500 Mode: SIA Mode:	dd/dd tt:tt Lxx ACC aaaa RF BATT RESTORE +++ ACC aaaa POINT=ppp hlrrlssssssaaaaasRsppt <header>[#aaaa NXRppp]	The RF POINT transmitter in the AREA in the second line of the report was restored from a low battery	
614.	RF Interference	Printer: D6500 Mode: SIA Mode:	dd/dd tt:tt Lxx ACC aaaa RF INTERFERENCE hlrrlssssssaaaaasTsD08t <header>[#aaaa NET]	RF interference was detected in premises RF system.	D7112
615.	RF Low Battery (Area Not Reported)	Printer: D6500 Mode: SIA Mode:	dd/dd tt:tt Lxx ACC aaaa RF BATTERY LOW +++ ACC aaaa POINT=ppp hlrrlssssssaaaaasTspppt <header>[#aaaa NXTppp]	The RF POINT transmitter in the AREA in the second line of the report has a low battery.	
616.	RF Receiver Restoral	Printer: D6500 Mode: SIA Mode:	dd/dd tt:tt Lxx ACC aaaa RF RCVR RESTORE hlrrlssssssaaaaasRsD17t <header>[#aaaa NER]	The premises RF receiver was restored from a trouble condition.	D7112
617.	RF Receiver Restoral from Trouble	Printer: D6500 Mode: SIA Mode:	dd/dd tt:tt Lxx ACC aaaa RCVR TBL RESTOR +++ ACC aaaa SDI=ddd hlrrlssssssaaaaasRsD17t <header>[#aaaa NpidddER]		
618.	RF Receiver Tamper	Printer: D6500 Mode: SIA Mode:	dd/dd tt:tt Lxx ACC aaaa RCVR TAMPER +++ ACC aaaa SDI=ddd hlrrlssssssaaaaasXss35t <header>[#aaaa NpidddXS]		
619.	RF Receiver Tamper Restore	Printer: D6500 Mode: SIA Mode:	dd/dd tt:tt Lxx ACC aaaa RCVR TAMPR REST +++ ACC aaaa SDI=ddd hlrrlssssssaaaaasXss36t <header>[#aaaa NpidddXJ]		
620.	RF Receiver Trouble	Printer: D6500 Mode: SIA Mode:	dd/dd tt:tt Lxx ACC aaaa RF RCVR TROUBLE hlrrlssssssaaaaasTsD17t <header>[#aaaa NET]	The premises RF receiver is in a trouble condition.	D7112

Table 92: Modem IIIa² Messages (continued)

	Event	Device/Mode	Display	Explanation	Refer to Section C.1 Zonex and Comex Translation on page 137.
621.	RF Receiver Trouble	Printer: D6500 Mode: SIA Mode:	dd/dd tt:tt Lxx ACC aaaa RCVR TROUBLE +++ ACC aaaa SDI=ddd hlrrlssssssaaaaasTsD17t <header>[#aaaa NpidddET]		
622.	RF Receiver Trouble Since Last Call	Printer: D6500 Mode: SIA Mode:	+++ ACC aaaa RF RCVR TROUBLE hlrrlssssssaaaaasTsD17t <header>[#aaaa OET]	The premises RF receiver is in a trouble condition	5.
623.	RF Tamper Trouble (Area Not Reported)	Printer: D6500 Mode: SIA Mode:	dd/dd tt:tt Lxx ACC aaaa RF TMPR TROUBLE +++ ACC aaaa POINT=ppp hlrrlssssssaaaaasTspppt <header>[#aaaa NTTppp]		
624.	RF Transmitter Battery Restore	Printer: D6500 Mode: SIA Mode:	dd/dd tt:tt Lxx ACC aaaa RF BATT RESTORE +++ACC aaaa SDI=ddd hlrrlssssssaaaaasRsD10t <header>[#aaaa NpidddXR]		
625.	RF Transmitter Battery Restore (for use with Keyfob device) (user < 255)	Printer: D6500 Mode: SIA Mode:	dd/dd tt:tt Lxx ACC aaaa RF BATT RESTORE +++ACC aaaa KEYFOB +++ACC aaaa ID=iii hlrrlssssssaaaaasRsD10t <header>[#aaaa NpidddXR]		
626.	RF Transmitter Battery Restore (for use with Keyfob device) (user > 254)	Printer: D6500 Mode: SIA Mode:	dd/dd tt:tt Lxx ACC aaaa RF BATT RESTORE +++ACC aaaa KEYFOB +++ACC aaaa ID=iiii hlrrlssssssaaaaasRsD10t <header>[#aaaa NidiiiiXR]		
627.	RF Transmitter Battery Restore (points > 254)	Printer: D6500 Mode: SIA Mode:	dd/dd tt:tt Lxx ACC aaaa RF BATT RESTORE +++ACC aaaa AREA=aa POINT=pppp hlrrlssssssaaaaasRppppt <header>[#aaaa NriaaXRpppp]		
628.	RF Transmitter Low Battery	Printer: D6500 Mode: SIA Mode:	dd/dd tt:tt Lxx ACC aaaa RF BATTERY LOW +++ACC aaaa SDI=ddd hlrrlssssssaaaaasTsD10t <header>[#aaaa NpidddXT]		
629.	RF Transmitter Low Battery (points > 254)	Printer: D6500 Mode: SIA Mode:	dd/dd tt:tt Lxx ACC aaaa RF BATTERY LOW +++ACC aaaa AREA=aa POINT=pppp hlrrlssssssaaaaasTppppt <header>[#aaaa NriaaXTpppp]		
630.	RF Transmitter Low Battery (for use with Keyfob device) (user < 255)	Printer: D6500 Mode: SIA Mode:	dd/dd tt:tt Lxx ACC aaaa RF BATTERY LOW +++ACC aaaa KEYFOB +++ACC aaaa ID=iii hlrrlssssssaaaaasTsD10t <header>[#aaaa NidiiiXT]		
631.	RF Transmitter Low Battery (for use with Keyfob device) (user > 254)	Printer: D6500 Mode: SIA Mode:	dd/dd tt:tt Lxx ACC aaaa RF BATTERY LOW +++ACC aaaa KEYFOB +++ACC aaaa ID=iiii hlrrlssssssaaaaasTsD10t <header>[#aaaa NidiiiiXT]		
632.	RF Transmitter Tamper Alarm (points > 254)	Printer: D6500 Mode: SIA Mode:	dd/dd tt:tt Lxx ACC aaaa RF TAMPER ALARM +++ACC aaaa AREA=aa POINT=pppp hlrrlssssssaaaaasAppppt <header>[#aaaa NriaaTApppp]		

Table 92: Modem IIIa² Messages (continued)

	Event	Device/Mode	Display	Explanation	Refer to Section C.1 Zonex and Comex Translation on page 137.
633.	RF Transmitter Tamper Restoral (Area Not Reported)	Printer: D6500 Mode: SIA Mode:	dd/dd tt:tt Lxx ACC aaaa RF TMPR RSTORAL +++ ACC aaaa POINT=ppp hlrrlssssssaaaaasRsppt <header>[#aaaa NTRppp]		
634.	RF Transmitter Tamper Restoral (points > 254)	Printer: D6500 Mode: SIA Mode:	dd/dd tt:tt Lxx ACC aaaa RF TMPR RSTORAL +++ACC aaaa AREA=aa POINT=pppp hlrrlssssssaaaaasRpppt <header>[#aaaa NriaaTRpppp]		
635.	RF Transmitter Tamper Trouble (points > 254)	Printer: D6500 Mode: SIA Mode:	dd/dd tt:tt Lxx ACC aaaa RF TMPR TROUBLE +++ACC aaaa AREA=aa POINT=pppp hlrrlssssssaaaaasTpppt <header>[#aaaa NriaaTTpppp]		
636.	SDI Bus Restore (Ground Fault)	Printer: D6500 Mode: SIA Mode:	dd/dd tt:tt Lxx ACC aaaa SDI RESTORAL +++ACC aaaa GROUND FAULT +++ACC aaaa SDI=ddd hlrrlssssssaaaaasRsssDt <header>[#aaaa NpidddER]		
637.	SDI Bus Restore (used by pre-OMNI panels)	Printer: D6500 Mode: SIA Mode:	dd/dd tt:tt Lxx ACC aaaa SDI RESTORAL +++ACC aaaa SDI=ddd hlrrlssssssaaaaasRsssDt <header>[#aaaa NpidddER]		
638.	SDI Device AC Failure (used by post-OMNI panels)	Printer: D6500 Mode: SIA Mode:	dd/dd tt:tt Lxx ACC aaaa DEVICE AC FAIL +++ACC aaaa SDI=ddd hlrrlssssssaaaaasTsssDt <header>[#aaaa NpidddEP]		
639.	SDI Device AC Restore (used by post-OMNI panels)	Printer: D6500 Mode: SIA Mode:	dd/dd tt:tt Lxx ACC aaaa DEV AC RESTORE +++ACC aaaa SDI=ddd hlrrlssssssaaaaasRsssDt <header>[#aaaa NpidddEQ]		
640.	SDI Device Battery Trouble (used by post-OMNI panels)	Printer: D6500 Mode: SIA Mode:	dd/dd tt:tt Lxx ACC aaaa DEVICE BAT TRBL +++ACC aaaa SDI=ddd hlrrlssssssaaaaasTsssDt <header>[#aaaa NpidddEB]		
641.	SDI Device Missing (used by post-OMNI panels)	Printer: D6500 Mode: SIA Mode:	dd/dd tt:tt Lxx ACC aaaa DEVICE MISSING +++ACC aaaa SDI=ddd hlrrlssssssaaaaasTsssDt <header>[#aaaa NpidddEM]		
642.	SDI Device Low Battery (used by post-OMNI panels)	Printer: D6500 Mode: SIA Mode:	dd/dd tt:tt Lxx ACC aaaa DEV BAT RESTORE +++ACC aaaa SDI=ddd hlrrlssssssaaaaasRsssDt <header>[#aaaa NpidddEV]		
643.	SDI Device Missing Restore (used by post-OMNI panels)	Printer: D6500 Mode: SIA Mode:	dd/dd tt:tt Lxx ACC aaaa DEV MISSING RST +++ACC aaaa SDI=ddd hlrrlssssssaaaaasRsssDt <header>[#aaaa NpidddEN]		
644.	SDI Device Overcurrent (used by post-OMNI panels)	Printer: D6500 Mode: SIA Mode:	dd/dd tt:tt Lxx ACC aaaa DEV OVERCURRENT +++ACC aaaa SDI=ddd hlrrlssssssaaaaasTsssDt <header>[#aaaa NpidddyI]		
645.	SDI Device Overcurrent Restore (used by post-OMNI panels)	Printer: D6500 Mode: SIA Mode:	dd/dd tt:tt Lxx ACC aaaa DEV OVERCUR RST +++ACC aaaa SDI=ddd hlrrlssssssaaaaasRsssDt <header>[#aaaa NpidddyJ]		

Table 92: Modem IIIa² Messages (continued)

	Event	Device/Mode	Display	Explanation	Refer to Section C.1 Zonex and Comex Translation on page 137.
646.	SDI Device Tamper (used by post-OMNI panels)	Printer: D6500 Mode: SIA Mode:	dd/dd tt:tt Lxx ACC aaaa DEVICE TAMPER +++ACC aaaa SDI=ddd hlrrlssssssaaaaasTsssDt <header>[#aaaa NpiddES]		
647.	SDI Device Tamper Restore (used by post-OMNI panels)	Printer: D6500 Mode: SIA Mode:	dd/dd tt:tt Lxx ACC aaaa DEV TAMPER REST +++ACC aaaa SDI=ddd hlrrlssssssaaaaasRsssDt <header>[#aaaa NpiddEJ]		
648.	SDI Device Trouble (used by post-OMNI panels)	Printer: D6500 Mode: SIA Mode:	dd/dd tt:tt Lxx ACC aaaa DEVICE TROUBLE +++ACC aaaa SDI=ddd hlrrlssssssaaaaasTsssDt <header>[#aaaa NpiddET]		
649.	SDI Device Trouble Restore (used by post-OMNI panels)	Printer: D6500 Mode: SIA Mode:	dd/dd tt:tt Lxx ACC aaaa DEV TROUBLE RST +++ACC aaaa SDI=ddd hlrrlssssssaaaaasRsssDt <header>[#aaaa NpiddER]		
650.	SDI Fail	Printer: D6500 Mode: SIA Mode:	dd/dd tt:tt Lxx ACC aaaa SDI FAILURE +++ ACC aaaa SDI=ddd hlrrlssssssaaaaasTsssDt <header>[#aaaa NpiddET]	A supervised keypad, printer, or other serial device listed in the second line of the report does not operate.	
651.	SDI Fail	Printer: D6500 Mode: SIA Mode:	dd/dd tt:tt Lxx ACC aaa TROUBLE ZN D hlrrlssssssaaaaasTsssDt <header>[#aaaa NBTD]	Zonex service required message: indicates a trouble condition on the data lines wiring from the POPEX Module to the POPITs. Trouble on wiring connecting control panel and keypads. Point bus, supervised keypad, printer, or other serial device trouble.	2.
652.	SDI Fail (Point reported)	Printer: D6500 Mode: SIA Mode:	dd/dd tt:tt Lxx ACC aaaa SDI FAILURE +++ ACC aaaa POINT=ppp SDI=ddd hlrrlssssssaaaaasTsppt <header>[#aaaa NpiddETppp]	A supervised keypad, printer, or other serial device listed in the second line of the report does not operate.	
653.	SDI Fail Since Last Call	Printer: D6500 Mode: SIA Mode:	+++ ACC aaaa SDI FAILURE hlrrlssssssaaaaasDsssDt <header>[#aaaa OET]		5.
654.	SDI Restoral	Printer: D6500 Mode: SIA Mode:	dd/dd tt:tt Lxx ACC aaaa SDI RESTORAL +++ ACC aaaa SDI=ddd hlrrlssssssaaaaasRsssDt <header>[#aaaa NpiddER]	The supervised keypad, printer, or other serial device listed in the second line of the report was restored.	

Table 92: Modem IIIa² Messages (continued)

	Event	Device/Mode	Display	Explanation	Refer to Section C.1 Zonex and Comex Translation on page 137.
655.	SDI Restoral	Printer: D6500 Mode: SIA Mode:	dd/dd tt:tt Lxx ACC aaa RESTORAL ZN D hlrrlssssssaaaaasRsssDt <header>[#aaaa NURD]	Zonex restoral message: indicates a trouble condition on the wiring from the POPEX Module to the POPITs was cleared. Wiring connecting the control panel and keypads restored. Point bus, supervised keypad, printer, or other serial device was restored.	2.
656.	SDI Restoral	Printer: D6500 Mode: SIA Mode:	dd/dd tt:tt Lxx ACC aaaa SDI RESTORAL +++ ACC aaaa SDI=ddd hlrrlssssssaaaaasRsssDt <header>[#aaaa NpiddER]	The supervised keypad, printer, or other serial device listed in the second line of the report was restored.	
657.	SDI Restoral (Point reported)	Printer: D6500 Mode: SIA Mode:	dd/dd tt:tt Lxx ACC aaaa SDI RESTORAL +++ ACC aaaa POINT=ppp SDI=ddd hlrrlssssssaaaaasRsppt <header>[#aaaa NpiddERppp]	The supervised keypad, printer, or other serial device listed in the second line of the report was restored.	
658.	Sensor Reset	Printer: D6500 Mode: SIA Mode:	dd/dd tt:tt Lxx ACC aaaa SENSOR RESET +++ ACC aaaa AREA=a ID=iii RELAY#=rrr hlrrlssssssaaaaasNsD27t <header>[#aaaa Nria/idiixIrrr]	The sensor specified in the second line of the report (labeled "RELAY") located in the specified AREA was reset by a user with the ID shown.	1, 7, 8.
659.	Sensor Reset (ID not reported)	Printer: D6500 Mode: SIA Mode:	dd/dd tt:tt Lxx ACC aaaa SENSOR RESET +++ ACC aaaa AREA=a RELAY#=rrr hlrrlssssssaaaaasNsD27t <header>[#aaaa NriaXIrrr]	The sensor specified in the second line of the report (labeled "RELAY") located in the specified AREA was reset by a user with the ID shown.	1, 7, 8, D7112
660.	Sensor Reset (ID/relay not reported)	Printer: D6500 Mode: SIA Mode:	dd/dd tt:tt Lxx ACC aaaa SENSOR RESET +++ ACC aaaa AREA=a hlrrlssssssaaaaasNsD27t <header>[#aaaa NriaXI]	The sensor specified in the second line of the report (labeled "RELAY") located in the specified AREA was reset by a user with the ID shown.	1, 7, 8, D7112
661.	Sensor Reset (relay > 254, user < 255)	Printer: D6500 Mode: SIA Mode:	dd/dd tt:tt Lxx ACC aaaa SENSOR RESET +++ACC aaaa AREA=aa ID=iii RELAY#=rrrr hlrrlssssssaaaaasNsD27t <header>[#aaaa Nriaa/idiixIrrrr]		
662.	Sensor Reset (relay > 254, user > 254)	Printer: D6500 Mode: SIA Mode:	dd/dd tt:tt Lxx ACC aaaa SENSOR RESET +++ACC aaaa AREA=a ID=iii RELAY#=rrrr hlrrlssssssaaaaasNsD27t <header>[#aaaa Nria/idiixIrrrr]		
663.	Sensor Reset (relay < 255, user < 255) (OMNI)	Printer: D6500 Mode: SIA Mode:	dd/dd tt:tt Lxx ACC aaaa SENSOR RESET +++ACC aaaa AREA=aa ID=iii RELAY#=rrr hlrrlssssssaaaaasNsD27t <header>[#aaaa Nria/idiixIrrr]		

Table 92: Modem IIIa² Messages (continued)

	Event	Device/Mode	Display	Explanation	Refer to Section C.1 Zonex and Comex Translation on page 137.
664.	Sensor Reset (relay < 255, user > 254) (OMNI)	Printer: D6500 Mode: SIA Mode:	dd/dd tt:tt Lxx ACC aaaa SENSOR RESET +++ACC aaaa AREA=a ID=iiii RELAY#=rrr hlrrlssssssaaaaasNsD27t <header>[#aaaa Nria/idiixIrrr]		
665.	Sensor Reset (relay not reported)	Printer: D6500 Mode: SIA Mode:	dd/dd tt:tt Lxx ACC aaaa SENSOR RESET +++ ACC aaaa AREA=a ID=iii hlrrlssssssaaaaasNsD27t <header>[#aaaa Nria/idiixI]	The sensor specified in the second line of the report (labeled "RELAY") located in the specified AREA was reset by a user with the ID shown.	1, 7, 8, D7112
666.	Sensor Restore (points < 255)	Printer: D6500 Mode: SIA Mode:	dd/dd tt:tt Lxx ACC aaaa SENSOR RESTORE +++ACC aaaa AREA=a POINT=ppp hlrrlssssssaaaaaRQsppt <header>[#aaaa OriaXNppp]		
667.	Sensor Restore (points > 254)	Printer: D6500 Mode: SIA Mode:	dd/dd tt:tt Lxx ACC aaaa SENSOR RESTORE +++ACC aaaa AREA=a POINT=pppp hlrrlssssssaaaaaRQsppt <header>[#aaaa OriaXNppp]		
668.	Sensor Trouble (points < 255)	Printer: D6500 Mode: SIA Mode:	dd/dd tt:tt Lxx ACC aaaa SENSOR TROUBLE +++ACC aaaa AREA=a POINT=ppp hlrrlssssssaaaaasQsppt <header>[#aaaa OriaXKppp]		
669.	Sensor Trouble (points > 254)	Printer: D6500 Mode: SIA Mode:	dd/dd tt:tt Lxx ACC aaaa SENSOR TROUBLE +++ACC aaaa AREA=aa POINT=pppp hlrrlssssssaaaaasQpppt <header>[#aaaa OriaaXKpppp]		
670.	Service End	Printer: D6500 Mode: SIA Mode:	dd/dd tt:tt Lxx ACC aaaa SERVICE END hlrrlssssssaaaaasRsssFt <header>[#aaaa NTE]		
671.	Service End	Printer: D6500 Mode: SIA Mode:	dd/dd tt:tt Lxx ACC aaaa SERVICE END +++ ACC aaaa AREA=a hlrrlssssssaaaaasRsssFt <header>[#aaaa NriaTE]		
672.	Service End	Printer: D6500 Mode: SIA Mode:	dd/dd tt:tt Lxx ACC aaaa SERVICE END +++ACC aaaa ID=iii hlrrlssssssaaaaasRsssFt <header>[#aaaa NidiiiTE]		
673.	Service Req'd	Printer: D6500 Mode: SIA Mode:	dd/dd tt:tt Lxx SERVICE REQUIRED RCVR rr hlrrlssssssssssXsss1t <header>[NYX]		
674.	Service Request	Printer: D6500 Mode: SIA Mode:	dd/dd tt:tt Lxx ACC aaaa SERVICE REQUEST hlrrlssssssaaaaasNsD45t <header>[#aaaa NYX]		
675.	Service Start	Printer: D6500 Mode: SIA Mode:	dd/dd tt:tt Lxx ACC aaaa SERVICE START hlrrlssssssaaaaasTsssFt <header>[#aaaa NTS]		
676.	Service Start	Printer: D6500 Mode: SIA Mode:	dd/dd tt:tt Lxx ACC aaaa SERVICE START +++ ACC aaaa AREA=a ID=iii hlrrlssssssaaaaasTsssFt <header>[#aaaa Nria/idiixITS]		
677.	Service Start	Printer: D6500 Mode: SIA Mode:	dd/dd tt:tt Lxx ACC aaaa SERVICE START +++ACC aaaa AREA=a hlrrlssssssaaaaasTsssFt <header>[#aaaa NriaITS]		

Table 92: Modem IIIa² Messages (continued)

	Event	Device/Mode	Display	Explanation	Refer to Section C.1 Zonex and Comex Translation on page 137.
678.	Service Start (no area)	Printer: D6500 Mode: SIA Mode:	dd/dd tt:tt Lxx ACC aaaa SERVICE START +++ACC aaaa ID=iii hlrrlssssssaaaaasTsssFt <header>[#aaaa NidiiiTS]		
679.	Service Start (users > 254)	Printer: D6500 Mode: SIA Mode:	dd/dd tt:tt Lxx ACC aaaa SERVICE START +++ACC aaaa AREA=aa ID=iiii hlrrlssssssaaaaasTsssFt <header>[#aaaa Nriiaa/idiiiTS]		
680.	Set Time	Printer: D6500 Mode: SIA Mode:	dd/dd tt:tt TIME SET RCVR rr hlrrlssssssssssXsss2t <header>[NJT]		
681.	Shunted	Printer: D6500 Mode: SIA Mode:	dd/dd tt:tt Lxx ACC aaaa SHUNTED ZN z hlrrlssssssaaaaasNssszt <header>[#aaaa NXWz]		
682.	Shunted	Printer: D6500 Mode: SIA Mode:	dd/dd tt:tt Lxx ACC aaaa SHUNTED ZN zyy hlrrlssssssaaaaasNszyyt <header>[#aaaa NXWzyy]		
683.	Sked Bypass	Printer: D6500 Mode: SIA Mode:	dd/dd tt:tt Lxx ACC aaaa SKED BYPASS +++ ACC aaaa AREA=a POINT=ppp SKED=kk hlrrlssssssaaaaasNsppt <header>[#aaaa Nriaa/aikkUBppp]	The POINT in the AREA in the second line of the report is faulted, and was bypassed when the system was armed by the specified Sked.	1, D9112
684.	Sked Bypass	Printer: D6500 Mode: SIA Mode:	dd/dd tt:tt Lxx ACC aaa TROUBLE ZN z hlrrlssssssaaaaasTssszt <header>[#aaaa NBTz]		9, D9112
685.	Sked Bypass (point > 254)	Printer: D6500 Mode: SIA Mode:	dd/dd tt:tt Lxx ACC aaaa SKED BYPASS +++ACC aaaa AREA=aa POINT=pppp SKED=kkk hlrrlssssssaaaaasNpppt <header>[#aaaa Nriiaa/aikkUBpppp]		
686.	Sked Changed	Printer: D6500 Mode: SIA Mode:	dd/dd tt:tt Lxx ACC aaaa SKED CHANGED +++ACC aaaa SKED=kkk hlrrlssssssaaaaasNsD06t <header>[#aaaa NaikkJS]		
687.	Sked Changed (users > 254)	Printer: D6500 Mode: SIA Mode:	dd/dd tt:tt Lxx ACC aaaa SKED CHANGED +++ACC aaaa ID=iiii SKED=kkk hlrrlssssssaaaaasNsD06t <header>[#aaaa Nidiii/aikkJS]		
688.	Skeds Changed	Printer: D6500 Mode: SIA Mode:	dd/dd tt:tt Lxx ACC aaaa SKED CHANGED +++ ACC aaaa ID= iii SKED=kk hlrrlssssssaaaaasNsD06t <header>[#aaaa Nidiii/aikkJS]	The Sked in the second line of the report was changed by the user with the specified ID.	D9112
689.	Sked Changed	Printer: D6500 Mode: SIA Mode:	dd/dd tt:tt Lxx ACC aaaa SKED CHANGED +++ ACC aaaa ID=iii SKED=kk hlrrlssssssaaaaasNsD06t <header>[#aaaa Nidiii/aikkJS]	The Sked in the second line of the report was changed by the user with the specified ID.	
690.	Sked Executed	Printer: D6500 Mode: SIA Mode:	dd/dd tt:tt Lxx ACC aaa SKED EXECUTED hlrrlssssssaaaaasNsD25 <header>[#aaaa NJR]		

Table 92: Modem IIIa² Messages (continued)

	Event	Device/Mode	Display	Explanation	Refer to Section C.1 Zonex and Comex Translation on page 137.
691.	Status: Alarm	Printer: D6500 Mode: SIA Mode:	dd/dd tt:tt Lxx ACC aaaa S: ALARM +++ ACC aaaa AREA=a POINT=ppp hlrrlssssssaaaaSAspppt <header>[#aaaa OriaBAppp]	Status report initiated by Skeds or by a user. The POINT in the AREA in the second line of the report is in alarm.	1.
692.	Status: Alarm	Printer: D6500 Mode: SIA Mode:	dd/dd tt:tt Lxx ACC aaa STATUS REPORT hlrrlssssssaaaaSsssst <header>[#aaaa NYY]	Indicates that the next report is an account status report.	
693.	Status: Alarm	Printer: D6500 Mode: SIA Mode:	dd/dd tt:tt Lxx ACC aaa ALARM ZN z hlrrlssssssaaaaSAssszt <header>[#aaaa OBAz]		9, D9112
694.	Status: Alarm (point > 254)	Printer: D6500 Mode: SIA Mode:	dd/dd tt:tt Lxx ACC aaaa S:ALARM +++ACC aaaa AREA=aa POINT=pppp hlrrlssssssaaaaSAppppt <header>[#aaaa OriaaBApppp]		
695.	Status: Analog Service (points > 254)	Printer: D6500 Mode: SIA Mode:	dd/dd tt:tt Lxx ACC aaaa S:ANALOG SERVICE +++ACC aaaa AREA=aa POINT=pppp hlrrlssssssaaaaSTppppt <header>[#aaaa OriaaASpppp]		
696.	Status: Analog Service (points > 254) (Level and Value reported)	Printer: D6500 Mode: SIA Mode:	dd/dd tt:tt Lxx ACC aaaa S:ANALOG SERVICE +++ACC aaaa AREA=aa POINT=pppp +++ACC aaaa LEVEL=lll VALUE=vvv hlrrlssssssaaaaSTppppt <header>[#aaaa Oriaa/lvlll/vavvvASpppp]		
697.	Status: Close by Area	Printer: D6500 Mode: SIA Mode:	dd/dd tt:tt Lxx ACC aaaa S: CLOSING +++ ACC aaaa AREA=a hlrrlssssssaaaaSCsssst <area not reported> <header>[#aaaa OriaCL]	Status report initiated by Skeds or by a user. The AREA in the second line of the report is armed.	
698.	Status: Close by Area	Printer: D6500 Mode: SIA Mode:	dd/dd tt:tt Lxx ACC aaa STATUS REPORT hlrrlssssssaaaaSsssst <header>[#aaaa NYY]	Indicates that the next report is an account status report.	
699.	Status: Close by Area	Printer: D6500 Mode: SIA Mode:	dd/dd tt:tt Lxx ACC aaa CLOSING ZN z hlrrlssssssaaaaSCssszt <header>[#aaaa OCLz]		z = area number
700.	Status: Close by Area	Printer: D6500 Mode: SIA Mode:	dd/dd tt:tt Lxx ACC aaaa S:CLOSING +++ ACC aaaa AREA=a hlrrlssssssaaaaSCsssst <header>[#aaaa OriaCL]	Status report initiated by Skeds or by a user. The AREA in the second line of the report is armed.	
701.	Status: Door Forced (points > 254)	Printer: D6500 Mode: SIA Mode:	dd/dd tt:tt Lxx ACC aaaa S:DOOR FORCED +++ACC aaaa AREA=aa POINT=pppp hlrrlssssssaaaaSAppppt <header>[#aaaa OriaaDFpppp]		
702.	Status: Door Left Open	Printer: D6500 Mode: SIA Mode:	dd/dd tt:tt Lxx ACC aaaa S:DR LEFT OPEN +++ ACC aaaa AREA=a POINT=ppp hlrrlssssssaaaaSIppppt <header>[#aaaa OriaDNppp]		
703.	Status: Door Left Open (points > 254)	Printer: D6500 Mode: SIA Mode:	dd/dd tt:tt Lxx ACC aaaa S:DR LEFT OPEN +++ACC aaaa AREA=aa POINT=pppp hlrrlssssssaaaaSIppppt <header>[#aaaa OriaaDNpppp]		
704.	Status: Fire Alarm	Printer: D6500 Mode: SIA Mode:	dd/dd tt:tt Lxx ACC aaaa S:FIRE ALARM +++ ACC aaaa AREA=a POINT=ppp hlrrlssssssaaaaSFppppt <header>[#aaaa OriaFAppp]		

Table 92: Modem IIIa² Messages (continued)

	Event	Device/Mode	Display	Explanation	Refer to Section C.1 Zonex and Comex Translation on page 137.
705.	Status: Fire Alarm (points < 255)	Printer: D6500 Mode: SIA Mode:	dd/dd tt:tt Lxx ACC aaaa S:FIRE ALARM +++ACC aaaa CROSS POINT +++ACC aaaa AREA=a POINT=ppp hlrrlssssssaaaaSFsppt <header>[#aaaa OriaFAppp]		
706.	Status: Fire Alarm (points < 255)	Printer: D6500 Mode: SIA Mode:	dd/dd tt:tt Lxx ACC aaaa S:FIRE ALARM +++ACC aaaa SMOKE DETECTOR +++ACC aaaa AREA=a POINT=ppp hlrrlssssssaaaaSFsppt <header>[#aaaa OriaFAppp]		
707.	Status: Fire Alarm (points < 255)	Printer: D6500 Mode: SIA Mode:	dd/dd tt:tt Lxx ACC aaaa S:FIRE ALARM +++ACC aaaa HIGH TEMPERATURE SENSOR +++ACC aaaa AREA=a POINT=ppp hlrrlssssssaaaaSFsppt <header>[#aaaa OriaFAppp]		
708.	Status: Fire Alarm (points < 255)	Printer: D6500 Mode: SIA Mode:	dd/dd tt:tt Lxx ACC aaaa S:FIRE ALARM +++ACC aaaa WATER FLOW SENSOR +++ACC aaaa AREA=a POINT=ppp hlrrlssssssaaaaSFsppt <header>[#aaaa OriaFAppp]		
709.	Status: Fire Alarm (points > 254)	Printer: D6500 Mode: SIA Mode:	dd/dd tt:tt Lxx ACC aaaa S:FIRE ALARM +++ACC aaaa AREA=aa POINT=pppp hlrrlssssssaaaaSFpppt <header>[#aaaa OriaFApppp]		
710.	Status: Fire Alarm (points > 254)	Printer: D6500 Mode: SIA Mode:	dd/dd tt:tt Lxx ACC aaaa S:FIRE ALARM +++ACC aaaa CROSS POINT +++ACC aaaa AREA=aa POINT=pppp hlrrlssssssaaaaSFpppt <header>[#aaaa OriaFApppp]		
711.	Status: Fire Alarm (points > 254)	Printer: D6500 Mode: SIA Mode:	dd/dd tt:tt Lxx ACC aaaa S:FIRE ALARM +++ACC aaaa SMOKE DETECTOR +++ACC aaaa AREA=aa POINT=pppp hlrrlssssssaaaaSFpppt <header>[#aaaa OriaFApppp]		
712.	Status: Fire Alarm (points > 254)	Printer: D6500 Mode: SIA Mode:	dd/dd tt:tt Lxx ACC aaaa S:FIRE ALARM +++ACC aaaa HIGH TEMPERATURE SENSOR +++ACC aaaa AREA=aa POINT=pppp hlrrlssssssaaaaSFpppt <header>[#aaaa OriaFApppp]		
713.	Status: Fire Alarm (points > 254)	Printer: D6500 Mode: SIA Mode:	dd/dd tt:tt Lxx ACC aaaa S:FIRE ALARM +++ACC aaaa WATER FLOW SENSOR +++ACC aaaa AREA=aa POINT=pppp hlrrlssssssaaaaSFpppt <header>[#aaaa OriaFApppp]		
714.	Status: Fire Missing	Printer: D6500 Mode: SIA Mode:	dd/dd tt:tt Lxx ACC aaaa S:FIRE MISSING +++ ACC aaaa AREA=a POINT=ppp hlrrlssssssaaaaSZsppt <header>[#aaaa OriaFYppp]		
715.	Status: Fire Missing (points > 254)	Printer: D6500 Mode: SIA Mode:	dd/dd tt:tt Lxx ACC aaaa S:FIRE MISSING +++ACC aaaa AREA=aa POINT=pppp hlrrlssssssaaaaSZpppt <header>[#aaaa OriaFYpppp]		
716.	Status: Fire Supervision	Printer: D6500 Mode: SIA Mode:	dd/dd tt:tt Lxx ACC aaaa S:FIRE SUPRVISN +++ ACC aaaa AREA=a POINT=ppp hlrrlssssssaaaaSEsppt <header>[#aaaa OriaFSppp]		
717.	Status: Fire Supervision (points < 255)	Printer: D6500 Mode: SIA Mode:	dd/dd tt:tt Lxx ACC aaaa S:FIRE SUPRVISN +++ACC aaaa AREA=aa POINT=pppp hlrrlssssssaaaaSEpppt <header>[#aaaa OriaFSpppp]		

Table 92: Modem IIIa² Messages (continued)

	Event	Device/Mode	Display	Explanation	Refer to Section C.1 Zonex and Comex Translation on page 137.
718.	Status: Fire Supervision (Water Flow) (point < 255)	Printer: D6500 Mode: SIA Mode:	dd/dd tt:tt Lxx ACC aaaa S:FIRE SUPRVISN +++ACC aaaa WATER FLOW SENSOR +++ACC aaaa AREA=a POINT=ppp hlrrlssssssaaaaSEppp <header>[#aaaa OriaFSppp]		
719.	Status: Fire Supervision (Water Flow) (point > 254)	Printer: D6500 Mode: SIA Mode:	dd/dd tt:tt Lxx ACC aaaa S:FIRE SUPRVISN +++ACC aaaa WATER FLOW SENSOR +++ACC aaaa AREA=aa POINT=pppp hlrrlssssssaaaaSEppp <header>[#aaaa OriaaFSpppp]		
720.	Status: Fire Trouble	Printer: D6500 Mode: SIA Mode:	dd/dd tt:tt Lxx ACC aaaa S:FIRE TROUBLE +++ ACC aaaa AREA=a POINT=ppp hlrrlssssssaaaaSGppp <header>[#aaaa OriaFTppp]		
721.	Status: Fire Trouble (points < 255)	Printer: D6500 Mode: SIA Mode:	dd/dd tt:tt Lxx ACC aaaa S:FIRE TROUBLE +++ACC aaaa SMOKE DETECTOR +++ACC aaaa AREA=a POINT=ppp hlrrlssssssaaaaSGppp <header>[#aaaa OriaFTppp]		
722.	Status: Fire Trouble (points < 255)	Printer: D6500 Mode: SIA Mode:	dd/dd tt:tt Lxx ACC aaaa S:FIRE TROUBLE +++ACC aaaa HIGH TEMPERATURE SENSOR +++ACC aaaa AREA=a POINT=ppp hlrrlssssssaaaaSGppp <header>[#aaaa OriaFTppp]		
723.	Status: Fire Trouble (points < 255)	Printer: D6500 Mode: SIA Mode:	dd/dd tt:tt Lxx ACC aaaa S:FIRE TROUBLE +++ACC aaaa WATER FLOW SENSOR +++ACC aaaa AREA=a POINT=ppp hlrrlssssssaaaaSGppp <header>[#aaaa OriaFTppp]		
724.	Status: Fire Trouble (points > 254)	Printer: D6500 Mode: SIA Mode:	dd/dd tt:tt Lxx ACC aaaa S:FIRE TROUBLE +++ACC aaaa AREA=aa POINT=pppp hlrrlssssssaaaaSGppp <header>[#aaaa OriaaFTpppp]		
725.	Status: Fire Trouble (points > 254)	Printer: D6500 Mode: SIA Mode:	dd/dd tt:tt Lxx ACC aaaa S:FIRE TROUBLE +++ACC aaaa SMOKE DETECTOR +++ACC aaaa AREA=aa POINT=pppp hlrrlssssssaaaaSGppp <header>[#aaaa OriaaFTpppp]		
726.	Status: Fire Trouble (points > 254)	Printer: D6500 Mode: SIA Mode:	dd/dd tt:tt Lxx ACC aaaa S:FIRE TROUBLE +++ACC aaaa HIGH TEMPERATURE SENSOR +++ACC aaaa AREA=aa POINT=pppp hlrrlssssssaaaaSGppp <header>[#aaaa OriaaFTpppp]		
727.	Status: Fire Trouble (points > 254)	Printer: D6500 Mode: SIA Mode:	dd/dd tt:tt Lxx ACC aaaa S:FIRE TROUBLE +++ACC aaaa WATER FLOW SENSOR +++ACC aaaa AREA=aa POINT=pppp hlrrlssssssaaaaSGppp <header>[#aaaa OriaaFTpppp]		
728.	Status: Missing Alarm	Printer: D6500 Mode: SIA Mode:	dd/dd tt:tt Lxx ACC aaaa S:MISSING ALARM +++ ACC aaaa AREA=a POINT=ppp hlrrlssssssaaaaSZppp <header>[#aaaa OriaUZppp]		
729.	Status: Missing Alarm (points > 254)	Printer: D6500 Mode: SIA Mode:	dd/dd tt:tt Lxx ACC aaaa S:MISSING ALARM +++ACC aaaa AREA=aa POINT=pppp hlrrlssssssaaaaSZppp <header>[#aaaa OriaaUZpppp]		
730.	Status: Missing Fire Supervision	Printer: D6500 Mode: SIA Mode:	dd/dd tt:tt Lxx ACC aaaa S:MIS FIR SUPRV +++ ACC aaaa AREA=a POINT=ppp hlrrlssssssaaaaSYppp <header>[#aaaa OriaFZppp]		

Table 92: Modem IIIa² Messages (continued)

	Event	Device/Mode	Display	Explanation	Refer to Section C.1 Zonex and Comex Translation on page 137.
731.	Status: Missing Fire Supervision (points < 255)	Printer: D6500 Mode: SIA Mode:	dd/dd tt:tt Lxx ACC aaaa S:MIS FIR SUPRV +++ACC aaaa WATER FLOW SENSOR +++ACC aaaa AREA=a POINT=ppp hlrrlssssssaaaaSYpppt <header>[#aaaa OriaFZppp]		
732.	Status: Missing Fire Supervision (points > 254)	Printer: D6500 Mode: SIA Mode:	dd/dd tt:tt Lxx ACC aaaa S:MIS FIR SUPRV +++ACC aaaa AREA=aa POINT=pppp hlrrlssssssaaaaSYpppt <header>[#aaaa OriaaFZpppp]		
733.	Status: Missing Fire Supervision (points > 254)	Printer: D6500 Mode: SIA Mode:	dd/dd tt:tt Lxx ACC aaaa S:MIS FIR SUPRV +++ACC aaaa WATER FLOW SENSOR +++ACC aaaa AREA=aa POINT=pppp hlrrlssssssaaaaSYpppt <header>[#aaaa OriaaFZpppp]		
734.	Status: Missing Supervision	Printer: D6500 Mode: SIA Mode:	dd/dd tt:tt Lxx ACC aaaa S:MIS SUPRVISN +++ ACC aaaa AREA=a POINT=ppp hlrrlssssssaaaaSYpppt <header>[#aaaa OriaBZppp]		
735.	Status: Missing Supervision (points > 254)	Printer: D6500 Mode: SIA Mode:	dd/dd tt:tt Lxx ACC aaaa S:MISS SUPRVISN +++ACC aaaa AREA=aa POINT=pppp hlrrlssssssaaaaSYpppt <header>[#aaaa OriaaBZpppp]		
736.	Status: Missing Trouble	Printer: D6500 Mode: SIA Mode:	dd/dd tt:tt Lxx ACC aaaa S:MISSING TRBL +++ ACC aaaa AREA=a POINT=ppp hlrrlssssssaaaaSVpppt <header>[#aaaa OriaUYppp]		
737.	Status: Missing Trouble (points > 254)	Printer: D6500 Mode: SIA Mode:	dd/dd tt:tt Lxx ACC aaaa S:MISSING TRBL +++ACC aaaa AREA=aa POINT=pppp hlrrlssssssaaaaSVpppt <header>[#aaaa OriaaUYpppp]		
738.	Status: Open by Area	Printer: D6500 Mode: SIA Mode:	dd/dd tt:tt Lxx ACC aaaa S: OPENING +++ ACC aaaa AREA=a hlrrlssssssaaaaS0sssst <header>[#aaaa OriaOP]	Status report initiated by Skeds or by a user from a keypad: the AREA specified in the second line of the report is disarmed.	
739.	Status: Open by Area	Printer: D6500 Mode: SIA Mode:	dd/dd tt:tt Lxx ACC aaa STATUS REPORT hlrrlssssssaaaaSsssst <header>[#aaaa NYY]	Indicates that the next report is an Account Status Report.	
740.	Status: Open by Area	Printer: D6500 Mode: SIA Mode:	dd/dd tt:tt Lxx ACC aaa OPENING ZN z hlrrlssssssaaaaS0ssszt <header>[#aaaa OOPz]		z = area number
741.	Status:Perimeter Delay by Area	Printer: D6500 Mode: SIA Mode:	dd/dd tt:tt Lxx ACC aaa STATUS REPORT hlrrlssssssaaaaSsssst <header>[#aaaa NYY]	Indicates that the next report is an Account Status Report.	
742.	Status:Perimeter Delay by Area	Printer: D6500 Mode: SIA Mode:	dd/dd tt:tt Lxx ACC aaa OPENING ZN z hlrrlssssssaaaaS0ssszt <header>[#aaaa OOPz]		z = area number
743.	Status:Perimeter Delay by Area	Printer: D6500 Mode: SIA Mode:	dd/dd tt:tt Lxx ACC aaaa S:PERIM DELAY +++ ACC aaaa AREA=a hlrrlssssssaaaaSCsssst <header>[#aaaa OriaNL]	Status report initiated by Skeds or by a user. The perimeter of the AREA in the second line of the report was delay armed.	

Table 92: Modem IIIa² Messages (continued)

	Event	Device/Mode	Display	Explanation	Refer to Section C.1 Zonex and Comex Translation on page 137.
744.	Status:Perimeter Instant by Area	Printer: D6500 Mode: SIA Mode:	dd/dd tt:tt Lxx ACC aaaa S:PERIM INSTANT +++ ACC aaaa AREA=a h1rrlssssssaaaaaSCsssst <header>[#aaaa OriaNl]	Status report initiated by Skeds or by a user. The perimeter of the AREA in the second line of the report is armed.	
745.	Status:Perimeter Instant by Area	Printer: D6500 Mode: SIA Mode:	dd/dd tt:tt Lxx ACC aaa STATUS REPORT h1rrlssssssaaaaaSSsssst <header>[#aaaa NYY]	Indicates that the next report is an Account Status Report.	
746.	Status:Perimeter Instant by Area	Printer: D6500 Mode: SIA Mode:	dd/dd tt:tt Lxx ACC aaa OPENING ZN z h1rrlssssssaaaaaSOsssst <header>[#aaaa OOPz]		z = area number
747.	Status:Perimeter Instant by Area	Printer: D6500 Mode: SIA Mode:	dd/dd tt:tt Lxx ACC aaaa S:PERIM INSTANT +++ ACC aaaa AREA=a h1rrlssssssaaaaaSCsssst <header>[#aaaa OriaNl]	Status report initiated by Skeds or by a user. The perimeter of the AREA in the second line of the report is armed.	
748.	Status Report	Printer: D6500 Mode: SIA Mode:	dd/dd tt:tt Lxx ACC aaaa STATUS REPORT h1rrlssssssaaaaaSSsssst <header>[#aaaa NYY]	Indicates that the next report is an Account Status Report.	
749.	Status: RF Transmitter Low Battery (points > 254)	Printer: D6500 Mode: SIA Mode:	dd/dd tt:tt Lxx ACC aaaa S:RF BATTERY LOW +++ACC aaaa AREA=aa POINT=pppp h1rrlssssssaaaaaSTppppt <header>[#aaaa OriaaXTpppp]		
750.	Status: RF Transmitter Tamper Alarm (points > 254)	Printer: D6500 Mode: SIA Mode:	dd/dd tt:tt Lxx ACC aaaa S:RF TMPR-ALARM +++ACC aaaa AREA=aa POINT=pppp h1rrlssssssaaaaaSAppppt <header>[#aaaa OriaaTApppp]		
751.	Status: RF Transmitter Tamper Alarm (points > 254)	Printer: D6500 Mode: SIA Mode:	dd/dd tt:tt Lxx ACC aaaa S:RF TMPR-TRBL +++ACC aaaa AREA=aa POINT=pppp h1rrlssssssaaaaaSTppppt <header>[#aaaa OriaaTApppp]		
752.	Status Rpt/Alarm	Printer: D6500 Mode: SIA Mode:	dd/dd tt:tt Lxx ACC aaaa ALARM ZN z h1rrlssssssaaaaaSAsssst <header>[#aaaa OBAz]		
753.	Status Rpt/Closing	Printer: D6500 Mode: SIA Mode:	dd/dd tt:tt Lxx ACC aaaa CLOSING REPORT h1rrlssssssaaaaaSCsssst <header>[#aaaa OCL]	Unexpanded reporting, system armed by arm/disarm passcode or COMMAND 1 (D8112G2 excluded). Unexpanded reporting, system armed by arm/disarm passcode or CMD 1. AREA armed by user with the ID in the second line of the report.	
754.	Status Rpt/Closing	Printer: D6500 Mode: SIA Mode:	dd/dd tt:tt Lxx ACC aaaa CLOSING ID I h1rrlssssssaaaaaSCsssst <header>[#aaaa OCLi]		
755.	Status Rpt/Opening	Printer: D6500 Mode: SIA Mode:	dd/dd tt:tt Lxx ACC aaaa OPENING ID I h1rrlssssssaaaaaSOsssst <header>[#aaaa OOPi]		

Table 92: Modem IIIa² Messages (continued)

	Event	Device/Mode	Display	Explanation	Refer to Section C.1 Zonex and Comex Translation on page 137.
756.	Status Rpt/Opening	Printer: D6500 Mode: SIA Mode:	dd/dd tt:tt Lxx ACC aaaa OPENING REPORT hlrrlssssssaaaaaSOsssst <header>[#aaaa OOP]	System disarmed. A user with the ID in the second line of the report disarmed the AREA.	
757.	Status Rpt/Power Fail	Printer: D6500 Mode: SIA Mode:	dd/dd tt:tt Lxx ACC aaaa AC FAILED hlrrlssssssaaaaaSPsssst <header>[#aaaa OAT]	No AC power. Control panel is running on battery power only. This report is sent along with the next report transmitted. It is not transmitted independently.	
758.	Status Rpt/Restoral	Printer: D6500 Mode: SIA Mode:	dd/dd tt:tt Lxx ACC aaaa RESTORAL REPORT hlrrlssssssaaaaaSRsssst <header>[#aaaa OUR]	Unexpanded Restoral Report. Command 41. The POINT in the AREA in the second line of the report was restored.	
759.	Status Rpt/Restoral	Printer: D6500 Mode: SIA Mode:	dd/dd tt:tt Lxx ACC aaaa RESTORAL ZN z hlrrlssssssaaaaaSRsssst <header>[#aaaa OURz]		
760.	Status Rpt/Trouble	Printer: D6500 Mode: SIA Mode:	dd/dd tt:tt Lxx ACC aaaa TROUBLE ZN z hlrrlssssssaaaaaSTsssst <header>[#aaaa OBTz]		
761.	Status: Supervision	Printer: D6500 Mode: SIA Mode:	dd/dd tt:tt Lxx ACC aaaa S: SUPERVISION +++ ACC aaaa AREA=a POINT=ppp hlrrlssssssaaaaaSTsppt <header>[#aaaa OriaBSppp]		
762.	Status: Supervision (points > 254)	Printer: D6500 Mode: SIA Mode:	dd/dd tt:tt Lxx ACC aaaa S: SUPERVISION +++ACC aaaa AREA=aa POINT=pppp hlrrlssssssaaaaaSTppppt <header>[#aaaa OriaBSpppp]		
763.	Status: Transmitter Low Battery	Printer: D6500 Mode: SIA Mode:	dd/dd tt:tt Lxx ACC aaaa S: RF BATT LOW +++ ACC aaaa AREA=a RF POINT =ppp hlrrlssssssaaaaaSVsppt <header>[#aaaa OriaXTppp]	Status report. The transmitter at the POINT in the AREA in the second line of the report has a low battery.	
764.	Status: Trouble	Printer: D6500 Mode: SIA Mode:	dd/dd tt:tt Lxx ACC aaa STATUS REPORT hlrrlssssssaaaaaSsssst <header>[#aaaa NYY]	Indicates that the next report is an Account Status Report.	
765.	Status: Trouble	Printer: D6500 Mode: SIA Mode:	dd/dd tt:tt Lxx ACC aaaa S: TROUBLE +++ ACC aaaa AREA=a POINT=ppp hlrrlssssssaaaaaSTsppt <header>[#aaaa OriaBTppp]	Status report initiated by Skeds or by a user. The POINT in the AREA in the second line of the report is in a trouble condition.	1.
766.	Status: Trouble	Printer: D6500 Mode: SIA Mode:	dd/dd tt:tt Lxx ACC aaa TROUBLE ZN z hlrrlssssssaaaaaSTsssst <header>[#aaaa OBTz]		9, D9112
767.	Status: Trouble	Printer: D6500 Mode: SIA Mode:	dd/dd tt:tt Lxx ACC aaaa S: TROUBLE +++ ACC aaaa AREA=a POINT=ppp hlrrlssssssaaaaaSTsppt <header>[#aaaa OriaBTppp]	Status report initiated by Skeds or by a user. The POINT in the AREA in the second line of the report is in a trouble condition.	

Table 92: Modem IIIa² Messages (continued)

	Event	Device/Mode	Display	Explanation	Refer to Section C.1 Zonex and Comex Translation on page 137.
768.	Status: Trouble (point > 254)	Printer: D6500 Mode: SIA Mode:	dd/dd tt:tt Lxx ACC aaaa S:TROUBLE +++ACC aaaa AREA=aa POINT=pppp hlrrlssssssaaaaSTppppt <header>[#aaaa OriaaBTpppp]		
769.	Supervision (Non-Fire)	Printer: D6500 Mode: SIA Mode:	dd/dd tt:tt Lxx ACC aaaa SUPERVISION +++ ACC aaaa AREA=a POINT=ppp hlrrlssssssaaaaasJsppt <header>[#aaaa NriaBSppp]		
770.	Supervision (Non-Fire) (points > 254)	Printer: D6500 Mode: SIA Mode:	dd/dd tt:tt Lxx ACC aaaa SUPERVISION +++ACC aaaa AREA=aa POINT=pppp hlrrlssssssaaaaasJppppt <header>[#aaaa NriaaBSpppp]		
771.	Supervision (Non-Fire) (points > 254) (Ground Fault)	Printer: D6500 Mode: SIA Mode:	dd/dd tt:tt Lxx ACC aaaa SUPERVISION +++ACC aaaa GROUND FAULT +++ACC aaaa AREA=aa POINT=pppp hlrrlssssssaaaaasJppppt <header>[#aaaa NriaaBSpppp]		
772.	Swinger Bypass	Printer: D6500 Mode: SIA Mode:	dd/dd tt:tt Lxx ACC aaaa SWINGER BYPASS +++ ACC aaaa AREA=a POINT=ppp hlrrlssssssaaaaasNsppt <header>[#aaaa NriaUBppp]	The POINT in the AREA in the second line of the report (that was programmed for swinger bypass) is faulted, and was bypassed while the system was armed. If the point is restored while the system is armed, it returns to the system and is ready to detect faults.	1.
773.	Swinger Bypass (Area and ID Not Reported)	Printer: D6500 Mode: SIA Mode:	dd/dd tt:tt Lxx ACC aaaa SWINGER BYPASS +++ ACC aaaa POINT=ppp hlrrlssssssaaaaasNsppt <header>[#aaaa NUBppp]	The POINT in the AREA in the second line of the report (that was programmed for swinger bypass) is faulted, and was bypassed while the system was armed. If the point is restored while the system is armed, it returns to the system, and is ready to detect faults.	
774.	Swinger Bypass	Printer: D6500 Mode: SIA Mode:	dd/dd tt:tt Lxx ACC aaa TROUBLE ZN z hlrrlssssssaaaaasTssszt <header>[#aaaa NBTz]		2, 9.
775.	Swinger Bypass (point > 254)	Printer: D6500 Mode: SIA Mode:	dd/dd tt:tt Lxx ACC aaaa SWINGER BYPASS +++ACC aaaa AREA=aa POINT=pppp hlrrlssssssaaaaasNppppt <header>[#aaaa NriaaUBpppp]		
776.	Swinger Bypass (7112 Only)	Printer: D6500 Mode: SIA Mode:	dd/dd tt:tt Lxx ACC aaaa SWINGER BYPASS hlrrlssssssaaaaasNsssst <header>[#aaaa NUB]		
777.	Test Failed (Report from UPLINK router indicating "Transceiver Test Failure")	Printer: D6500 Mode: SIA Mode:	dd/dd tt:tt Lxx ACC aaaa TEST FAILED +++ ACC aaaa PATH=001 COND=001 +++ ACC aaaa UPLINK. hlrrlssssssaaaaasTsD49t <header>[#aaaa Npt001XX001]		

Table 92: Modem IIIa² Messages (continued)

	Event	Device/Mode	Display	Explanation	Refer to Section C.1 Zonex and Comex Translation on page 137.
	Test-Off Normal Expanded	SIA Mode:	<header>[#aaaa NRY] <header>[#aaaa OJL] <header>[#aaaa OJO] <header>[#aaaa OET] <header>[#aaaa OLS] <header>[#aaaa OET] <header>[#aaaa ORA] <header>[#aaaa OJA] <header>[#aaaa OET] <header>[#aaaa OYC] <header>[#aaaa OIA] <header>[#aaaa OAT] <header>[#aaaa OYM] <header>[#aaaa OYT] <header>[#aaaa OYF] <header>[#aaaa OLT] <header>[#aaaa OXF] <header>[#aaaa OXQ] <header>[#aaaa OFS] <header>[#aaaa OAS] <header>[#aaaa OFT] <header>[#aaaa OBT] <header>[#aaaa OBT] <header>[#aaaa ONT] <header>[#aaaa OXS]		
779.	Test Report Non- Expanded	Printer: D6500 Mode: SIA Mode:	dd/dd tt:tt Lxx ACC aaaa TEST REPORT hlrrlssssssaaaaasRsssEt <header>[#aaaa NRP]	Test Report	
780.	Time Changed	Printer: D6500 Mode: SIA Mode:	dd/dd tt:tt Lxx ACC aaaa TIME CHANGED +++ ACC aaaa ID= iii hlrrlssssssaaaaasNsD07t <header>[#aaaa NidiiiJT]		D9112
781.	Time Changed	Printer: D6500 Mode: SIA Mode:	dd/dd tt:tt Lxx ACC aaaa TIME CHANGED hlrrlssssssaaaaasNsD07t <header>[#aaaa NJT]		
782.	Time Changed (users > 254)	Printer: D6500 Mode: SIA Mode:	dd/dd tt:tt Lxx ACC aaaa TIME CHANGED +++ACC aaaa ID=iiii hlrrlssssssaaaaasNsD07t <header>[#aaaa NidiiiJT]		
783.	Transmitter Battery Restoral	Printer: D6500 Mode: SIA Mode:	dd/dd tt:tt Lxx ACC aaa RESTORAL ZN z hlrrlssssssaaaaasRssszt <header>[#aaaa NURz]		D7112
784.	Transmitter Battery Restoral	Printer: D6500 Mode: SIA Mode:	dd/dd tt:tt Lxx ACC aaaa RF BATT RESTORE +++ ACC aaaa AREA=a RF POINT=ppp hlrrlssssssaaaaasRspppt <header>[#aaaa NriaXRppp]	The RF POINT transmitter in the AREA in the second line of the report was restored from a low battery.	1, D7112
785.	Transmitter Low Battery	Printer: D6500 Mode: SIA Mode:	dd/dd tt:tt Lxx ACC aaa TROUBLE ZN z hlrrlssssssaaaaasTssszt <header>[#aaaa NBTz]		D7112
786.	Transmitter Low Battery	Printer: D6500 Mode: SIA Mode:	dd/dd tt:tt Lxx ACC aaaa RF BATTERY LOW +++ ACC aaaa AREA=a RF POINT=ppp hlrrlssssssaaaaasTspppt <header>[#aaaa NriaXTppp]	The RF POINT transmitter in the AREA in the second line of the report has a low battery.	1, D7112

Table 92: Modem IIIa² Messages (continued)

	Event	Device/Mode	Display	Explanation	Refer to Section C.1 Zonex and Comex Translation on page 137.
787.	Transmitter Tamper Alarm	Printer: D6500 Mode: SIA Mode:	dd/dd tt:tt Lxx ACC aaaa TAMPER ALARM +++ ACC aaaa AREA=a RF POINT=ppp hlrrlssssssaaaaaspppt <header>[#aaaa NriaTApp]	Tamper alarm at the RF POINT in the AREA in the second line of the report.	1, D7112
788.	Transmitter Tamper Alarm	Printer: D6500 Mode: SIA Mode:	dd/dd tt:tt Lxx ACC aaa ALARM ZN z hlrrlssssssaaaaasAsszt <header>[#aaaa NBaz]		D7112
789.	Transmitter Tamper Restoral	Printer: D6500 Mode: SIA Mode:	dd/dd tt:tt Lxx ACC aaa RESTORAL ZN z hlrrlssssssaaaaasRsszt <header>[#aaaa NURZ]		D7112
790.	Transmitter Tamper Restoral	Printer: D6500 Mode: SIA Mode:	dd/dd tt:tt Lxx ACC aaaa TAMPER RESTORAL +++ ACC aaaa AREA=a RF POINT=ppp hlrrlssssssaaaaasRpppt <header>[#aaaa NriaTRpp]	The tamper alarm at the RF POINT in the AREA in the second line of the report was restored.	1, D7112
791.	Transmitter Tamper Trouble	Printer: D6500 Mode: SIA Mode:	dd/dd tt:tt Lxx ACC aaaa TAMPER TROUBLE +++ ACC aaaa AREA=a RF POINT=ppp hlrrlssssssaaaaasTpppt <header>[#aaaa NriaTTpp]	Tamper trouble at the RF POINT in the AREA in the second line of the report.	1, D7112
792.	Transmitter Tamper Trouble	Printer: D6500 Mode: SIA Mode:	dd/dd tt:tt Lxx ACC aaa TROUBLE ZN z hlrrlssssssaaaaasTsszt <header>[#aaaa NBTz]		2, 9.
793.	Trouble	Printer: D6500 Mode: SIA Mode:	dd/dd tt:tt Lxx ACC aaaa TROUBLE REPORT +++ ACC aaaa AREA=a POINT=ppp hlrrlssssssaaaaasTpppt <area not reported> <header>[#aaaa NriaBTpp]	Unexpanded trouble report. The POINT in the AREA in the second line of the report is in a trouble condition.	1, 10.
794.	Trouble	Printer: D6500 Mode: SIA Mode:	dd/dd tt:tt Lxx ACC aaaa TROUBLE REPORT hlrrlssssssaaaaasTssst <header>[#aaaa NBT]	Unexpanded trouble report. The POINT in the AREA in the second line of the report is in a trouble condition.	
795.	Trouble	Printer: D6500 Mode: SIA Mode:	dd/dd tt:tt Lxx ACC aaaa TROUBLE ZN z hlrrlssssssaaaaasTsszt <header>[#aaaa NBTz]		
796.	Trouble	Printer: D6500 Mode: SIA Mode:	dd/dd tt:tt Lxx ACC aaaa TROUBLE ZN zyy hlrrlssssssaaaaasTzzyt <header>[#aaaa NBTzyy]		
797.	Trouble	Printer: D6500 Mode: SIA Mode:	dd/dd tt:tt Lxx ACC aaaa TROUBLE ZN xx hlrrlssssssaaaaasTssxt <header>[#aaaa NBTxx]		
798.	Trouble	Printer: D6500 Mode: SIA Mode:	dd/dd tt:tt Lxx ACC aaaa TROUBLE ZN 16 hlrrlssssssaaaaasTss16t <header>[#aaaa NBT16]	The zone number shown (1 to 8) reports a trouble condition.	
799.	Trouble	Printer: D6500 Mode: SIA Mode:	dd/dd tt:tt Lxx ACC aaaa TROUBLE REPORT +++ ACC aaaa AREA=a POINT=ppp hlrrlssssssaaaaasTpppt <header>[#aaaa NriaBTpp]	Unexpanded trouble report. The POINT in the AREA in the second line of the report is in a trouble condition.	
800.	Trouble (Area Not Reported)	Printer: D6500 Mode: SIA Mode:	dd/dd tt:tt Lxx ACC aaaa TROUBLE REPORT +++ ACC aaaa POINT=ppp hlrrlssssssaaaaasTpppt <header>[#aaaa NBTpp]	Unexpanded trouble report. The POINT in the AREA in the second line of the report is in a trouble condition.	

Table 92: Modem IIIa² Messages (continued)

	Event	Device/Mode	Display	Explanation	Refer to Section C.1 Zonex and Comex Translation on page 137.
801.	Trouble (with Ground Fault) (point > 254)	Printer: D6500 Mode: SIA Mode:	dd/dd tt:tt Lxx ACC aaaa TROUBLE REPORT +++ACC aaaa GROUND FAULT +++ACC aaaa AREA=aa POINT=pppp hlrrlssssssaaaaaSTppppt <header> [#aaaa NriaaBTpppp]		
802.	Trouble Door Forced (point > 254)	Printer: D6500 Mode: SIA Mode:	dd/dd tt:tt Lxx ACC aaaa TROUBLE REPORT +++ACC aaaa DOOR FORCED +++ACC aaaa AREA=aa POINT=pppp hlrrlssssssaaaaaSTppppt <header> [#aaaa NriaaJpppp]		
803.	Trouble (point > 254)	Printer: D6500 Mode: SIA Mode:	dd/dd tt:tt Lxx ACC aaaa TROUBLE REPORT +++ACC aaaa AREA=aa POINT=pppp hlrrlssssssaaaaaSTppppt <header> [#aaaa NriaaBTpppp]		
804.	Trouble Fire	Printer: D6500 Mode: SIA Mode:	dd/dd tt:tt Lxx ACC aaaa TROUBLE FR z hlrrlssssssaaaaaGsssszt <header> [#aaaa NFTz]		
805.	Unknown Message	Printer: D6500 Mode: SIA Mode:	dd/dd tt:tt Lxx UNKNOWN RCVR rr hlrrlssssssssssXss25t <header> [NYO]		
806.	Unverified Events (points < 255)	Printer: D6500 Mode: SIA Mode:	dd/dd tt:tt Lxx ACC aaaa UNVRFD EVT-BURG +++ACC aaaa AREA=a POINT=ppp hlrrlssssssaaaaaSKppppt <header> [#aaaa NriaBGppp]		
807.	Unverified Events (points < 255)	Printer: D6500 Mode: SIA Mode:	dd/dd tt:tt Lxx ACC aaaa UNVRFD EVT-FIRE +++ACC aaaa AREA=a POINT=ppp hlrrlssssssaaaaaSKppppt <header> [#aaaa NriaFGppp]		
808.	Unverified Events (points < 255)	Printer: D6500 Mode: SIA Mode:	dd/dd tt:tt Lxx ACC aaaa UNVRFD EVT-BURG +++ACC aaaa AREA=a CG=gg POINT=ppp hlrrlssssssaaaaaSKppppt <header> [#aaaa NriaBGppp]		
809.	Unverified Events (points < 255)	Printer: D6500 Mode: SIA Mode:	dd/dd tt:tt Lxx ACC aaaa UNVRFD EVT-FIRE +++ACC aaaa AREA=a CG=gg POINT=ppp hlrrlssssssaaaaaSKppppt <header> [#aaaa NriaFGppp]		
810.	Unverified Events (points < 255)	Printer: D6500 Mode: SIA Mode:	dd/dd tt:tt Lxx ACC aaaa UNVERIFIED EVENT +++ACC aaaa AREA=a CG=gg POINT=ppp hlrrlssssssaaaaaSKppppt <header> [#aaaa NriaUGppp]		
811.	Unverified Events (points > 254)	Printer: D6500 Mode: SIA Mode:	dd/dd tt:tt Lxx ACC aaaa UNVRFD EVT-BURG +++ACC aaaa AREA=aa POINT=pppp hlrrlssssssaaaaaSKppppt <header> [#aaaa NriaaBGpppp]		
812.	Unverified Events (points > 254)	Printer: D6500 Mode: SIA Mode:	dd/dd tt:tt Lxx ACC aaaa UNVRFD EVT-FIRE +++ACC aaaa AREA=aa POINT=pppp hlrrlssssssaaaaaSKppppt <header> [#aaaa NriaaFGpppp]		
813.	Unverified Events (points > 254)	Printer: D6500 Mode: SIA Mode:	dd/dd tt:tt Lxx ACC aaaa UNVRFD EVT-BURG +++ACC aaaa AREA=aa CG=gg POINT=pppp hlrrlssssssaaaaaSKppppt <header> [#aaaa NriaaBGpppp]		
814.	Unverified Events (points > 254)	Printer: D6500 Mode: SIA Mode:	dd/dd tt:tt Lxx ACC aaaa UNVRFD EVT-FIRE +++ACC aaaa AREA=aa CG=gg POINT=pppp hlrrlssssssaaaaaSKppppt <header> [#aaaa NriaaFGpppp]		
815.	User Alarm	Printer: D6500 Mode: SIA Mode:	dd/dd tt:tt Lxx ACC aaaa USR ALRM ZN z hlrrlssssssaaaaaUsssszt <header> [#aaaa NPAz]		

Table 92: Modem IIIa² Messages (continued)

	Event	Device/Mode	Display	Explanation	Refer to Section C.1 Zonex and Comex Translation on page 137.
816.	User Alarm 7	Printer: D6500 Mode: SIA Mode:	dd/dd tt:tt Lxx ACC aaaa USER ALARM CMD7 +++ ACC aaaa AREA=a ID=iii hlrrlssssssaaaaasUsss7t <header>[#aaaa Nria/idiiiUA]	A user with the ID in the second line of the report initiated a CMD 7 in the AREA.	1.
817.	User Alarm 7 (ID not reported)	Printer: D6500 Mode: SIA Mode:	dd/dd tt:tt Lxx ACC aaaa USER ALARM CMD7 +++ ACC aaaa AREA=a hlrrlssssssaaaaasUsss7t <header>[#aaaa NriaUA]	A user with the ID in the second line of the report initiated a CMD 7 in the AREA.	1, D7112
818.	User Alarm 7	Printer: D6500 Mode: SIA Mode:	dd/dd tt:tt Lxx ACC aaa ALARM ZN z hlrrlssssssaaaaasAssst <header>[#aaaa NBaz]		2, D7112: z=7 D9112: z= as programmed for point (<i>Point Code Digit One</i> =4)
819.	User Alarm 7 (area only)	Printer: D6500 Mode: SIA Mode:	dd/dd tt:tt Lxx ACC aaaa USER ALARM CMD7 +++ACC aaaa AREA=a hlrrlssssssaaaaasUsss7t <header>[#aaaa NriaUA]		
820.	User Alarm 7 (user > 254)	Printer: D6500 Mode: SIA Mode:	dd/dd tt:tt Lxx ACC aaaa USER ALARM CMD7 +++ACC aaaa AREA=aa ID=iiii hlrrlssssssaaaaasUsss7t <header>[#aaaa Nriaa/idiiiiUA]		
821.	User Alarm 9	Printer: D6500 Mode: SIA Mode:	dd/dd tt:tt Lxx ACC aaa ALARM ZN z hlrrlssssssaaaaasAssst <header>[#aaaa NBaz]		2, D7112: z=9 D9112: z= as programmed for point (<i>Point Code Digit One</i> =5)
822.	User Alarm 9	Printer: D6500 Mode: SIA Mode:	dd/dd tt:tt Lxx ACC aaaa USER ALARM CMD9 +++ ACC aaaa AREA=a ID=iii hlrrlssssssaaaaasUsss9t <header>[#aaaa Nria/idiiiPA]	A user with the ID in the second line of the report initiated a CMD 9 in the specified AREA.	1.
823.	User Alarm 9 (ID not reported)	Printer: D6500 Mode: SIA Mode:	dd/dd tt:tt Lxx ACC aaaa USER ALARM CMD9 +++ ACC aaaa AREA=a hlrrlssssssaaaaasUsss9t <header>[#aaaa NriaPA]	A user with the ID in the second line of the report initiated a CMD 9 in the specified AREA.	1, D7112
824.	User Alarm 9 (area only)	Printer: D6500 Mode: SIA Mode:	dd/dd tt:tt Lxx ACC aaaa USER ALARM CMD9 +++ACC aaaa AREA=a hlrrlssssssaaaaasUsss9t <header>[#aaaa NriaPA]		
825.	User Alarm 9 (user > 254)	Printer: D6500 Mode: SIA Mode:	dd/dd tt:tt Lxx ACC aaaa USER ALARM CMD9 +++ACC aaaa AREA=aa ID=iiii hlrrlssssssaaaaasUsss9t <header>[#aaaa Nriaa/idiiiiPA]		
826.	User Code Added	Printer: D6500 Mode: SIA Mode:	dd/dd tt:tt Lxx ACC aaaa USER CODE ADDED +++ ACC aaaa CODE ID=ccc ID=iii hlrrlssssssaaaaasNsD38t <header>[#aaaa NidiiiJYccc]		
827.	User Code Added (users > 254, code > 254)	Printer: D6500 Mode: SIA Mode:	dd/dd tt:tt Lxx ACC aaaa USER CODE ADDED +++ACC aaaa CODE ID=cccc ID=iiii hlrrlssssssaaaaasNsD38t <header>[#aaaa NidiiiiJYcccc]		

Table 92: Modem IIIa² Messages (continued)

	Event	Device/Mode	Display	Explanation	Refer to Section C.1 Zonex and Comex Translation on page 137.
828.	User Code Changed	Printer: D6500 Mode: SIA Mode:	dd/dd tt:tt Lxx ACC aaaa USR CODE CHANGE +++ ACC aaaa CODE ID=ccc ID=iii hlrrlssssssaaaaasNsD04t <header>[#aaaa NidiiiJVccc]	The passcode user ID in the second line of the report was changed by the operator with the specified OPER ID.	
829.	User Code Changed	Printer: D6500 Mode: SIA Mode:	dd/dd tt:tt Lxx ACC aaaa USR CODE CHANGE +++ ACC aaaa AREA=a CODE ID=ccc ID=iii hlrrlssssssaaaaasNsD04t <header>[#aaaa Nria/idiijVccc]	The passcode user ID in the second line of the report was changed by the operator with the specified OPER ID.	D7112
830.	User Code Changed (operator ID not reported)	Printer: D6500 Mode: SIA Mode:	dd/dd tt:tt Lxx ACC aaaa USR CODE CHANGE +++ ACC aaaa AREA=a CODE ID=ccc hlrrlssssssaaaaasNsD04t <header>[#aaaa NriaJVccc]	The passcode user ID in the second line of the report was changed by the operator with the specified OPER ID.	D7112
831.	User Code Changed (users > 254)	Printer: D6500 Mode: SIA Mode:	dd/dd tt:tt Lxx ACC aaaa USR CODE CHANGE +++ACC aaaa CODE ID=cccc ID=iiii hlrrlssssssaaaaasNsD04t <header>[#aaaa NidiiiJVcccc]		
832.	User Code Deleted	Printer: D6500 Mode: SIA Mode:	dd/dd tt:tt Lxx ACC aaaa USR CODE DELETE +++ ACC aaaa CODE ID=ccc ID=iii hlrrlssssssaaaaasNsD05t <header>[#aaaa NidiiiJXccc]	The user ID specified in the second line of the report was deleted by the operator with the OPER ID shown.	D9112
833.	User Code Deleted	Printer: D6500 Mode: SIA Mode:	dd/dd tt:tt Lxx ACC aaaa USR CODE DELETE +++ ACC aaaa AREA= a CODE ID=ccc ID=iii hlrrlssssssaaaaasNsD05t <header>[#aaaa Nria/idiijXccc]	The user ID specified in the second line of the report was deleted by the operator with the OPER ID shown.	D7112
834.	User Code Deleted	Printer: D6500 Mode: SIA Mode:	dd/dd tt:tt Lxx ACC aaaa USR CODE DELETE +++ACC aaaa CODE ID=cccc hlrrlssssssaaaaasNsD05t <header>[#aaaa NJXcccc]		
835.	User Code Deleted (operator ID not reported)	Printer: D6500 Mode: SIA Mode:	dd/dd tt:tt Lxx ACC aaaa USR CODE DELETE +++ ACC aaaa AREA= a CODE ID=ccc hlrrlssssssaaaaasNsD05t <header>[#aaaa NriaJXccc]	The user ID specified in the second line of the report was deleted by the operator with the OPER ID shown.	D7112
836.	User Code Deleted (User ID# > 254 reported)	Printer: D6500 Mode: SIA Mode:	dd/dd tt:tt Lxx ACC aaaa USR CODE DELETE +++ACC aaaa CODE ID=cccc ID=iiii hlrrlssssssaaaaasNsD05t <header>[#aaaa NidiiiJXcccc]		
837.	User Code Tamper	Printer: D6500 Mode: SIA Mode:	dd/dd tt:tt Lxx ACC aaaa USR CODE TAMPE +++ ACC aaaa AREA=a ID=iii hlrrlssssssaaaaasNsD03t <header>[#aaaa Nria/idiijJA]	Five attempts were made in 5 min to access the AREA in the second line of the report with the invalid user ID shown.	1, D9112
838.	User Code Tamper	Printer: D6500 Mode: SIA Mode:	dd/dd tt:tt Lxx ACC aaaa USR CODE TAMPER +++ ACC aaaa AREA=a hlrrlssssssaaaaasNsD03t <header>[#aaaa NriaJA]	Five attempts were made in 5 min to access the AREA in the second line of the report with the invalid user ID shown.	1, D7112

Table 92: Modem IIIa² Messages (continued)

	Event	Device/Mode	Display	Explanation	Refer to Section C.1 Zonex and Comex Translation on page 137.
839.	User Code Tamper (Area and ID Not Reported)	Printer: D6500 Mode: SIA Mode:	dd/dd tt:tt Lxx ACC aaaa USR CODE TAMPER hlrrlssssssaaaaasNsD03t <header>[#aaaa NJA]	Five attempts were made in 5 min to access the AREA in the second line of the report with the invalid user ID shown.	
840.	User Level Set	Printer: D6500 Mode: SIA Mode:	dd/dd tt:tt Lxx ACC aaaa USER LEVEL SET +++ ACC aaaa CODE ID=ccc ID=iii hlrrlssssssaaaaasNsD40t <header>[#aaaa NidiiiJZccc]		
841.	User Level Set (modified user only)	Printer: D6500 Mode: SIA Mode:	dd/dd tt:tt Lxx ACC aaaa USER LEVEL SET +++ACC aaaa CODE ID=cccc hlrrlssssssaaaaasNsD40t <header>[#aaaa NJZcccc]		
842.	User Level Set (users > 254)	Printer: D6500 Mode: SIA Mode:	dd/dd tt:tt Lxx ACC aaaa USER LEVEL SET +++ACC aaaa CODE ID=cccc ID=iiii hlrrlssssssaaaaasNsD40t <header>[#aaaa NidiiiJZcccc]		
843.	User Tamper Since Last Call	Printer: D6500 Mode: SIA Mode:	+++ ACC aaaa USER TAMPER hlrrlssssssaaaaasSUsst <header>[#aaaa OJA]	A supervised keypad, printer, or other serial device listed in the second line of the report does not operate.	5.
844.	[User Text]	Printer: D6500 Mode: SIA Mode:	+++ ACC aaaa (user text) no message no message		
845.	Valid Access	Printer: D6500 Mode: SIA Mode:	dd/dd tt:tt Lxx ACC aaaa PROG ACCESS OK hlrrlssssssaaaaasRsF01t <header>[#aaaa NLS]		
846.	Valid Access (via SDI Device or D5360)	Printer: D6500 Mode: SIA Mode:	dd/dd tt:tt Lxx ACC aaaa PROG ACCESS OK +++ACC aaaa SDI=ddd hlrrlssssssaaaaasRsF01t <header>[#aaaa NpidddLS]		
847.	Valid Local Access	Printer: D6500 Mode: SIA Mode:	dd/dd tt:tt Lxx ACC aaaa PROG ACCESS OK hlrrlssssssaaaaasRsF01t <header>[#aaaa NpidddLS]	The account was locally accessed through the supervised keypad or other serial device specified in the second line of the report.	D7112
848.	Valid Local Access Since Last Call	Printer: D6500 Mode: SIA Mode:	+++ ACC aaaa PROG ACCESS OK hlrrlssssssaaaaasSRsst <header>[#aaaa OLS]	The account was locally accessed through the supervised keypad or other serial device specified in the second line of the report.	5.
849.	Valid Remote Access (phone not reported)	Printer: D6500 Mode: SIA Mode:	dd/dd tt:tt Lxx ACC aaaa RAM ACCESS OK +++ ACC aaaa PHONE#=5 hlrrlssssssaaaaasRssst <header>[#aaaa Nph5RS]	The account was contacted by a RAM on the PHONE# specified in the second line of the report.	D9112
850.	Valid Remote Access	Printer: D6500 Mode: SIA Mode:	dd/dd tt:tt Lxx ACC aaaa RAM ACCESS OK hlrrlssssssaaaaasRssst <header>[#aaaa NphhRS]	The account was contacted by a RAM on the PHONE# specified in the second line of the report.	D7112

Table 92: Modem IIIa² Messages (continued)

	Event	Device/Mode	Display	Explanation	Refer to Section C.1 Zonex and Comex Translation on page 137.
851.	Valid Remote Access	Printer: D6500 Mode: SIA Mode:	dd/dd tt:tt Lxx ACC aaa RESTORAL ZN F hlrrlssssssaaaaasRsssFt <header>[#aaaa NURF]		2.
852.	Valid Remote Access (2112, 9112)	Printer: D6500 Mode: SIA Mode:	dd/dd tt:tt Lxx ACC aaaa RAM ACCESS OK hlrrlssssssaaaaasRsssFt <header>[#aaaa NRS]		
853.	Valid Remote Access (from Call Back)	Printer: D6500 Mode: SIA Mode:	dd/dd tt:tt Lxx ACC aaaa RAM ACCESS OK +++ACC aaaa PH#=hh hlrrlssssssaaaaasRsssFt <header>[#aaaa NphhRS]		
854.	Valid Remote Access (no call back)	Printer: D6500 Mode: SIA Mode:	dd/dd tt:tt Lxx ACC aaaa RAM ACCESS OK hlrrlssssssaaaaasRsssFt <header>[#aaaa NRS]	The account was contacted by a RAM on the PHONE# specified in the second line of the report.	D9112
855.	Variable Text	Printer: D6500 Mode: SIA Mode:	dd/dd tt:tt Lxx text as received RCVR rr h3rrltext as receivedt <header>[Atext as rcvd]		
856.	Walk Test End	Printer: D6500 Mode: SIA Mode:	dd/dd tt:tt Lxx ACC aaaa WALK TEST END +++ ACC aaaa AREA=a hlrrlssssssaaaaasRsssFt <header>[#aaaa NriaTE]		
857.	Walk Test End (Invisible Points) (users < 255)	Printer: D6500 Mode: SIA Mode:	dd/dd tt:tt Lxx ACC aaaa WALK TEST END +++ACC aaaa INVISIBLE POINTS +++ACC aaaa AREA=a ID=iii hlrrlssssssaaaaasRsssFt <header>[#aaaa Nria/idiitiTE]		
858.	Walk Test End (Invisible Points) (users > 254)	Printer: D6500 Mode: SIA Mode:	dd/dd tt:tt Lxx ACC aaaa WALK TEST END +++ACC aaaa INVISIBLE POINTS +++ACC aaaa AREA=aa ID=iiii hlrrlssssssaaaaasRsssFt <header>[#aaaa Nriaa/idiitiTE]		
859.	Walk Test End (no user)	Printer: D6500 Mode: SIA Mode:	dd/dd tt:tt Lxx ACC aaaa WALK TEST END +++ACC aaaa AREA=a hlrrlssssssaaaaasRsssFt <header>[#aaaa NriaTE]		
860.	Walk Test End (users > 254)	Printer: D6500 Mode: SIA Mode:	dd/dd tt:tt Lxx ACC aaaa WALK TEST END +++ACC aaaa AREA=aa ID=iiii hlrrlssssssaaaaasRsssFt <header>[#aaaa Nriaa/idiitiTE]		
861.	Walk Test Point (points > 254)	Printer: D6500 Mode: SIA Mode:	dd/dd tt:tt Lxx ACC aaaa WALK TEST PT +++ACC aaaa AREA=aa POINT=pppp hlrrlssssssaaaaasZppppt <header>[#aaaa NriaaBXpppp]		
862.	Walk Test Point - Fire (points > 254)	Printer: D6500 Mode: SIA Mode:	dd/dd tt:tt Lxx ACC aaaa WALK TST PT-FIR +++ACC aaaa AREA=aa POINT=pppp hlrrlssssssaaaaasZppppt <header>[#aaaa NriaaFXpppp]		
863.	Walk Test Start	Printer: D6500 Mode: SIA Mode:	dd/dd tt:tt Lxx ACC aaaa WALK TEST START +++ ACC aaaa AREA=a ID=iii hlrrlssssssaaaaasTsssFt <header>[#aaaa Nria/idiitiTS]		
864.	Walk Test Start (Invisible Points) (users < 255)	Printer: D6500 Mode: SIA Mode:	dd/dd tt:tt Lxx ACC aaaa WALK TEST START +++ACC aaaa INVISIBLE POINTS +++ACC aaaa AREA=a ID=iii hlrrlssssssaaaaasTsssFt <header>[#aaaa Nria/idiitiTS]		

Table 92: Modem IIIa² Messages (continued)

	Event	Device/Mode	Display	Explanation	Refer to Section C.1 Zonex and Comex Translation on page 137.
865.	Walk Test Start (Invisible Points) (users > 254)	Printer: D6500 Mode: SIA Mode:	dd/dd tt:tt Lxx ACC aaaa WALK TEST START +++ACC aaaa INVISIBLE POINTS +++ACC aaaa AREA=aa ID=iiii hlrrlssssssaaaaasTsssFt <header>[#aaaa Nriaa/idiiiiTS]		
866.	Walk Test Start (no user)	Printer: D6500 Mode: SIA Mode:	dd/dd tt:tt Lxx ACC aaaa WALK TEST START +++ACC aaaa AREA=a hlrrlssssssaaaaasTsssFt <header>[#aaaa NriaTS]		
867.	Walk Test Start (users > 254)	Printer: D6500 Mode: SIA Mode:	dd/dd tt:tt Lxx ACC aaaa WALK TEST START +++ACC aaaa AREA=a ID=iiii hlrrlssssssaaaaasTsssFt <header>[#aaaa Nria/idiiiiTS]		
868.	Was Force Armed	Printer: D6500 Mode: SIA Mode:	dd/dd tt:tt Lxx ACC aaaa WAS FORCE ARMED hlrrlssssssaaaaasWsssT <header>[#aaaa NCW]	Account armed with zones or points faulted. The faulted zones or POPITs were not armed. Zones, areas, or points that were not armed are indicated by a TROUBLE or SHUNTED report.	
869.	Watchdog Reset	Printer: D6500 Mode: SIA Mode:	dd/dd tt:tt Lxx ACC aaa RESTORAL ZN 9 hlrrlssssssaaaaasRsss9t <header>[#aaaa NUR9]	Battery restoral report, control panel reboot, watchdog reset, power reset, or ResetBye with RAM. Control panel reboot, watchdog reset, power reset, or ResetBye with RAM (can also be battery restoral report for D7112).	
870.	Watchdog Reset	Printer: D6500 Mode: SIA Mode:	dd/dd tt:tt Lxx ACC aaaa WATCHDOG RESET hlrrlssssssaaaaasNsD09t <header>[#aaaa NYW]	The control panel's watchdog reset. This is a non-emergency troubleshooting message. If it is followed by SDI ##, call Bosch Security Systems Technical Support during normal business hours for help in interpreting the message.	
871.	Watchdog Reset (SDI Device and Point reported)	Printer: D6500 Mode: SIA Mode:	dd/dd tt:tt Lxx ACC aaaa WATCHDOG RESET +++ ACC aaaa POINT=ppp SDI=ddd hlrrlssssssaaaaasNspppt <header>[#aaaa NpidddYWppp]	The control panel's watchdog reset. This is a non-emergency troubleshooting message. If it is followed by SDI ##, call Bosch Security Systems Technical Support during normal business hours for help in interpreting the message.	
872.	+5V Restored	Printer: D6500 Mode: SIA Mode:	dd/dd tt:tt +5 RESTORED RCVR rr hlrrssssssssssXsss4t <header>[NYQ]		

Table 92: Modem IIIa² Messages (continued)

	Event	Device/Mode	Display	Explanation	Refer to Section C.1 Zonex and Comex Translation on page 137.
873.	+5V Troubled	Printer: D6500 Mode: SIA Mode:	dd/dd tt:tt +5 TROUBLED RCVR rr hlrrssssssssssXsss3t <header> [NYP]		
874.	+12V Restoral	Printer: D6500 Mode: SIA Mode:	dd/dd tt:tt +12 RESTORED RCVR rr hlrrssssssssssXsss4t <header> [NYQ]		
875.	+12V Trouble	Printer: D6500 Mode: SIA Mode:	dd/dd tt:tt +12 TROUBLED RCVR rr hlrrssssssssssXsss3t <header> [NYP]		
876.	-12V Restoral	Printer: D6500 Mode: SIA Mode:	dd/dd tt:tt -12 RESTORED RCVR rr hlrrssssssssssXsss4t <header> [NYQ]		
877.	-12V Trouble	Printer: D6500 Mode: SIA Mode:	dd/dd tt:tt -12 TROUBLED RCVR rr hlrrssssssssssXsss3t <header> [NYP]		

C.1 Zonex and Comex Translation

These numbered items correspond to the number in the last column in *Table 92* starting on page 61.

1. The D7112/D9112 verifies the user identification and point data formats and sends them to the automation system. If the control panel requests a translation, the D6600/D6100 converts point data to Zonex format and user IDs to Comex format. If there is no request for translation, points and IDs are sent to the automation PC and print on the connected printer with no conversion. *Table 94* shows the translation of User IDs and *Table 93* shows the translation of point data.

Point	ZONEX
001-008	100-800
009-024	101-116
025-040	201-216
041-056	301-316
057-072	401-416
073-088	501-516
089-104	601-616
105-120	701-716
121-136	801-816
137-152	117-132
153-168	217-232
169-184	317-332
185-200	417-432
201-216	517-532
217-232	617-632
233-247	717-731

ID	COMEX
0	0
1-5	001-005
0-13	601-608
14-21	701-708
22-29	801-808
30-37	B01-B08
38-45	C01-C08
46-53	D01-D08
54-61	E01-E08
62-69	F01-F08
70-249	000

2. A D7112 using the Modem II format can transmit these messages.
3. Not used.

4. When the D7112 is transmitting a test report in Modem II format, the area number is sent to the automation system if the output format is in SIA communications mode.

Example 1: Log Threshold Since Last Call

```
<header>[#aaaa|Oria]L
```

5. When transmitted by a D7112, the identification number, if any, also prints. Refer to *Forced Point* in the *D9112B Program Entry Guide* (P/N: 74-06145-000-D).
6. Not entering a phone number turns off these messages for the event class. All messages in this class exist in a unique event class.
7. For these events, the area denotes the location of the keypad used to initiate the event (see Sensor Reset).
8. BFSK Format: For the D9112, unless otherwise specified, the zone digit “z” uses the “BFSK Zone Code” as a base for a given point. This code is programmed in the control panel by point. The zone digit “i” indicates the most significant digit of the user ID.
9. For the D7112, unless otherwise specified, *Table 95* is the basis for the zone digit “z” and ID translation; however, actual IDs only go up to 25.

Table 95: Reported Zone/ID to Actual Point/ID

	Reported Zone/ID							
	1	2	3	4	5	6	7	8
Actual Point/ID	1	2	3	4	5	6	7	8
	9	10	11	12	13	14	15	16
	17	18	19	20	21	22	23	24
	25	26	27	28	29	30	31	32
	33	34	35	36	37	38	39	40
	41	42	43	44	45	46	47	48

10. This message reports from a D7112 RF point. The internal or external printer prints the label “RF POINT=” instead of “POINT=” in the second line (Example 2).

Example 2: Label RF Point

```
dd/dd tt:tt ql ACC aaaa FIRE ALARM
+++ ACC aaaa AREA=a RF POINT=ppp
```

Appendix D: Network Messages (D6600 Only)



For networked accounts, Nxx appears instead of Lxx in the line number.

Table 96: Network Messages

	Event	Device/Mode	Display	Explanation
1	Alarm-Panel Substitution	Printer: D6500 Mode: SIA Mode:	dd/dd tt:tt Nxx ACC aaaa ALARM-PNL SUBST +++ ACC aaaa PATH=003 COND=007 hlrrlssssssaaaaAsD53t <header>[#aaaa Npt003AA007]	Condition 007 = Substitution/ Replay
2	Change Of Status (C900 Voltage Low)	Printer: D6500 Mode: SIA Mode:	dd/dd tt:tt Nxx ACC aaaa STATUS CHANGED +++ aaaa C900 VOLTAGE LOW hlrrlssssssaaaaasXss58t <header>[#aaaa NSC0002]	
3	Change Of Status (C900 Voltage Restore)	Printer: D6500 Mode: SIA Mode:	dd/dd tt:tt Nxx ACC aaaa STATUS CHANGED +++ aaaa C900 VOLTAGE RESTORE hlrrlssssssaaaaasXss68t <header>[#aaaa NSC0003]	
4	Change Of Status (C900 Input Restored)	Printer: D6500 Mode: SIA Mode:	dd/dd tt:tt Nxx ACC aaaa STATUS CHANGED +++ aaaa C900 INPUT RESTORED hlrrlssssssaaaaasXss91t <header>[#aaaa NSC0010]	
5	Change Of Status (C900 Input Shorted)	Printer: D6500 Mode: SIA Mode:	dd/dd tt:tt Nxx ACC aaaa STATUS CHANGED +++ aaaa C900 INPUT SHORTED hlrrlssssssaaaaasXss89t <header>[#aaaa NSC0008]	
6	Change Of Status (C900 Intercept Disabled)	Printer: D6500 Mode: SIA Mode:	dd/dd tt:tt Nxx ACC aaaa STATUS CHANGED +++ aaaa C900 INTERCEPT DISABLED hlrrlssssssaaaaasXss93t <header>[#aaaa NSC0012]	
7	Change Of Status (C900 Intercept Enabled)	Printer: D6500 Mode: SIA Mode:	dd/dd tt:tt Nxx ACC aaaa STATUS CHANGED +++ aaaa C900 INTERCEPT ENABLED hlrrlssssssaaaaasXss92t <header>[#aaaa NSC0011]	
8	Change Of Status (C900 Output Activated)	Printer: D6500 Mode: SIA Mode:	dd/dd tt:tt Nxx ACC aaaa STATUS CHANGED +++ aaaa C900 OUTPUT ACTIVATED hlrrlssssssaaaaasXss85t <header>[#aaaa NSC0006]	
9	Change Of Status (C900 Output Deactivated)	Printer: D6500 Mode: SIA Mode:	dd/dd tt:tt Nxx ACC aaaa STATUS CHANGED +++ aaaa C900 OUTPUT DEACTIVATED hlrrlssssssaaaaasXss94t <header>[#aaaa NSC0007]	
10	Change Of Status (C900 Input Open)	Printer: D6500 Mode: SIA Mode:	dd/dd tt:tt Nxx ACC aaaa STATUS CHANGED +++ aaaa C900 INPUT OPEN HlrrlssssssaaaaasXss90t <header>[#aaaa NSC0009]	

Table 96: Network Messages (continued)

	Event	Device/Mode	Display	Explanation
11	Change Of Status (C900 Reboot)	Printer: D6500 Mode: SIA Mode:	dd/dd tt:tt Nxx ACC aaaa STATUS CHANGED +++ aaaa C900 REBOOT hlrrlssssssaaaaasXss59t <header>[#aaaa NSC0001]	
12	Change Of Status (C900 Switched to Fallback)	Printer: D6500 Mode: SIA Mode:	dd/dd tt:tt Nxx ACC aaaa STATUS CHANGED +++ aaaa C900 SWITCHED TO FALLBACK hlrrlssssssaaaaasXss82t <header>[#aaaa NSC0005]	
13	Change Of Status (C900 Switched To Intercept)	Printer: D6500 Mode: SIA Mode:	dd/dd tt:tt Nxx ACC aaaa STATUS CHANGED +++ aaaa C900 SWITCHED TO INTERCPT hlrrlssssssaaaaasXss87t <header>[#aaaa NSC0004]	
14	Command Sent (Activate Output)	Printer: D6500 Mode: SIA Mode:	dd/dd tt:tt Nxx ACC aaaa COMMAND SENT +++ aaaa ACTIVATE OUTPUT hlrrlssssssaaaaasXss84t <header>[#aaaa NCO0005]	
15	Command Sent (Deactivate Output)	Printer: D6500 Mode: SIA Mode:	dd/dd tt:tt Nxx ACC aaaa COMMAND SENT +++ aaaa DEACTIVATE OUTPUT hlrrlssssssaaaaasXss86t <header>[#aaaa NCO0006]	
16	Command Sent (Disable Intercept Mode)	Printer: D6500 Mode: SIA Mode:	dd/dd tt:tt Nxx ACC aaaa COMMAND SENT +++ aaaa DISABLE INTERCEPT MODE hlrrlssssssaaaaasXss83t <header>[#aaaa NCO0004]	
17	Command Sent (Switch To Fallback Mode)	Printer: D6500 Mode: SIA Mode:	dd/dd tt:tt Nxx ACC aaaa COMMAND SENT +++ aaaa SWITCH TO FALLBACK MODE hlrrlssssssaaaaasXss81t <header>[#aaaa NCO0003]	
18	Command Sent (Switch To Intercept Mode)	Printer: D6500 Mode: SIA Mode:	dd/dd tt:tt Nxx ACC aaaa COMMAND SENT +++ aaaa SWITCH TO INTERCEPT MODE hlrrlssssssaaaaasXss88t <header>[#aaaa NCO0002]	
19	Command Sent (Supervision Rate Changed)	Printer: D6500 Mode: SIA Mode:	dd/dd tt:tt Nxx ACC aaaa COMMAND SENT +++ aaaa SUPERVISION RATE CHANGED hlrrlssssssaaaaasXss66t <header>[#aaaa NCO0001]	
20	Communications Fail (Account Disabled By Attack)	Printer: D6500 Mode: SIA Mode:	dd/dd tt:tt Nxx ACC aaaa COMM FAIL +++ ACC aaaa ACCOUNT DISABLED BY ATTACK +++ ACC aaaa PATH=003 COND=008 hlrrlssssssaaaaasTsB03t <header>[#aaaa Npt003YC008]	Condition 008 = Attack
21	Communications Fail (Polling Lost)	Printer: D6500 Mode: SIA Mode:	dd/dd tt:tt Nxx ACC aaaa COMM FAIL +++ ACC aaaa PATH=003 COND=009 hlrrlssssssaaaaasTsB02t <header>[#aaaa Npt003YC009]	Condition 009 = Polling Monitor

Table 96: Network Messages (continued)

	Event	Device/Mode	Display	Explanation
22	Communications Fail Restore (Poll Restore)	Printer: D6500 Mode: SIA Mode:	dd/dd tt:tt Nxx ACC aaaa COMM FAIL RESTR +++ ACC aaaa PATH=003 COND=009 hlrrlssssssaaaaasNsB02t <header> [#aaaa Npt003YK009]	Condition 009 = Polling Monitor
23	Dialer Error (Dialing Error)	Printer: D6500 Mode: SIA Mode:	dd/dd tt:tt Nxx ACC aaaa DIALER ERROR +++ aaaa DIALING ERROR hlrrlssssssaaaaasXss73t <header> [#aaaa NYU0003]	
24	Dialer Error (Invalid Message)	Printer: D6500 Mode: SIA Mode:	dd/dd tt:tt Nxx ACC aaaa DIALER ERROR +++ aaaa INVALID MESSAGE hlrrlssssssaaaaasXss77t <header> [#aaaa NYU0007]	
25	Dialer Error (Message Unknown)	Printer: D6500 Mode: SIA Mode:	dd/dd tt:tt Nxx ACC aaaa DIALER ERROR +++ aaaa MESSAGE UNKNOWN hlrrlssssssaaaaasXss76t <header> [#aaaa NYU0006]	
26	Dialer Error (No Acknowledgement Received)	Printer: D6500 Mode: SIA Mode:	dd/dd tt:tt Nxx ACC aaaa DIALER ERROR +++ aaaa NO ACKNOWLEDGMNT RECEIVED hlrrlssssssaaaaasXss71t <header> [#aaaa NYU0001]	
27	Dialer Error (Not Dialing)	Printer: D6500 Mode: SIA Mode:	dd/dd tt:tt Nxx ACC aaaa DIALER ERROR +++ aaaa NOT DIALING hlrrlssssssaaaaasXss72t <header> [#aaaa NYU0002]	
28	Dialer Error (No Response to Acknowledgement)	Printer: D6500 Mode: SIA Mode:	dd/dd tt:tt Nxx ACC aaaa DIALER ERROR +++ aaaa NO RESPONSE TO ACK hlrrlssssssaaaaasXss75t <header> [#aaaa NYU0005]	
29	Dialer Error (No Response to Handshake)	Printer: D6500 Mode: SIA Mode:	dd/dd tt:tt Nxx ACC aaaa DIALER ERROR +++ aaaa NO RESPONSE TO HANDSHAKE hlrrlssssssaaaaasXss74t <header> [#aaaa NYU0004]	
30	Miscellaneous Message (30 Minutes Since Fallback Command)	Printer: D6500 Mode: SIA Mode:	dd/dd tt:tt Nxx ACC aaaa MESSAGE +++ aaaa 30 MIN SINCE FALLBACK CMD hlrrlssssssaaaaasXss95t <header> [#aaaa NMI0001]	

Appendix E: Pulse Output



Table 97 to Table 105 (on page 145) vary depending on the account number specified and the digit parameter programmed using the drop-down menus in *Menu Item 3.1.7 Event 3/1 or 4/1* (Figure 25).

The output of the receiver depends on the reporting digit. Use the settings in *Figure 25* that can be changed by the user:

- Reporting digits 0 to 9 and A are alarms
- Reporting digit B is an opening
- Reporting digit C is a closing
- Reporting digit D is a cancel
- Reporting digit E is a restore

Figure 25: D6200 Receiver Software Line Card Configuration

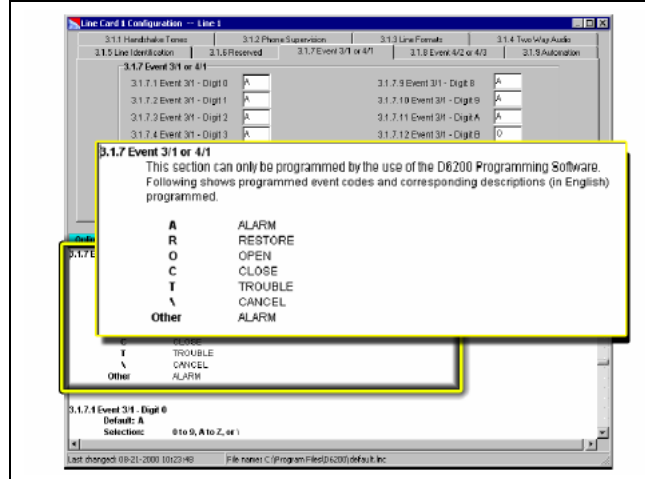


Table 97: Pulse 3/1 Format

#	Event	Account Number	Reporting Digit	Device/Mode	Displays
1.	ALARM	123	4	Printer: D6500 Mode: SIA Mode:	DD/DD TT:TT L01 ACCT 123 ALARM_ZN 4 [10] 1011sssssss123sAss4 [13] [10] 602415 [9] 00030101 [#s123 NBA4] [13]
2.	OPENING	123	B	Printer: D6500 Mode: SIA Mode:	DD/DD TT:TT L01 ACCT 123 OPENING [10] 1011sssssss123sOssss [13] [10] AA4214 [9] 00040101 [#s123 NOP] [13]
3.	CLOSING	123	C	Printer: D6500 Mode: SIA Mode:	DD/DD TT:TT L01 ACCT 123 CLOSING [10] 1011sssssss123sCssss [13] [10] F94B14 [9] 00050101 [#s123 NCL] [13]
4.	CANCEL	123	D	Printer: D6500 Mode: SIA Mode:	DD/DD TT:TT L01 ACCT 123 CANCEL [10] 1011sssssss123s\ssss [13] [10] FBCE14 [9] 00060101 [#s123 NOC] [13]
5.	RESTORE	123	E	Printer: D6500 Mode: SIA Mode:	DD/DD TT:TT L01 ACCT 123 RESTORE [10] 1011sssssss123sRssss [13] [10] FC2214 [9] 00070101 [#s123 NUR] [13]
6.	TROUBLE	123	F	Printer: D6500 Mode: SIA Mode:	DD/DD TT:TT L01 ACCT 123 TROUBLE [10] 1011sssssss123sTssss [13] [10] ACD414 [9] 00080101 [#s123 NBT] [13]

Table 98: Pulse 3/1E Menu 3.1.3.12 3-1 Extended Format = 1

#	Event	Account Number	Reporting Digit	Device/Mode	Displays
7.	ALARM	123	45	Printer: D6500 Mode: SIA Mode:	DD/DD TT:TT L01 ACCT 123 ALARM_ZN 45 [10]1011sssssss123sAss45[13] [10]720816[9]00090101[#s123 NBA45][13]
8.	OPENING	123	B5	Printer: D6500 Mode: SIA Mode:	DD/DD TT:TT L01 ACCT 123 OPENING ZN 5 [10]1011sssssss123sOsss5[13] [10]B0B115[9]00100101[#s123 NOP5][13]
9.	CLOSING	123	C5	Printer: D6500 Mode: SIA Mode:	DD/DD TT:TT L01 ACCT 123 CLOSING ZN 5 [10]1011sssssss123sCsss5[13] [10]B62215[9]00110101[#s123 NCL5][13]
10.	CANCEL	123	D5	Printer: D6500 Mode: SIA Mode:	DD/DD TT:TT L01 ACCT 123 CANCEL ZN 5 [10]1011sssssss123s\sss5[13] [10]15E115[9]00120101[#s123 NOC5][13]
11.	RESTORE	123	E5	Printer: D6500 Mode: SIA Mode:	DD/DD TT:TT L01 ACCT 123 RESTORE ZN 5 [10]1011sssssss123sRsss5[13] [10]98E715[9]00130101[#s123 NUR5][13]
12.	TROUBLE	123	F5	Printer: D6500 Mode: SIA Mode:	DD/DD TT:TT L01 ACCT 123 TROUBLE ZN 5 [10]1011sssssss123sTsss5[13] [10]1CB015[9]00140101[#s123 NBT5][13]

Table 99: Pulse 3/1E Menu 3.1.3.12 3-1 Extended Format = 2

#	Event	Account Number	Reporting Digit	Device/Mode	Displays
13.	ALARM	123	45	Printer: D6500 Mode: SIA Mode:	DD/DD TT:TT L01 ACCT 123 ALARM_ZN 45 [10]1011sssssss123sAss45[13] [10]210D16[9]00450102[#s123 NBA45][13]
14.	OPENING	123	B5	Printer: D6500 Mode: SIA Mode:	DD/DD TT:TT L01 ACCT 123 OPENING ZN B5 [10]1011sssssss123sOssB5[13] [10]829516[9]00460102[#s123 NOPB5][13]
15.	CLOSING	123	C5	Printer: D6500 Mode: SIA Mode:	DD/DD TT:TT L01 ACCT 123 CLOSING ZN C5 [10]1011sssssss123sCssC5[13] [10]2F8216[9]00470102[#s123 NCLC5][13]
16.	CANCEL	123	D5	Printer: D6500 Mode: SIA Mode:	DD/DD TT:TT L01 ACCT 123 CANCEL ZN D5 [10]1011sssssss123s\ssD5[13] [10]EC1316[9]00480102[#s123 NOCD5][13]
17.	RESTORE	123	E5	Printer: D6500 Mode: SIA Mode:	DD/DD TT:TT L01 ACCT 123 RESTORE ZN E5 [10]1011sssssss123sRssE5[13] [10]2E4F16[9]00490102[#s123 NURE5][13]
18.	TROUBLE	123	F5	Printer: D6500 Mode: SIA Mode:	DD/DD TT:TT L01 ACCT 123 TROUBLE ZN F5 [10]1011sssssss123sTssF5[13] [10]C72516[9]00500102[#s123 NBTF5][13]

Table 100: Pulse 3/2

#	Event	Account Number	Reporting Digit	Device/Mode	Displays
19.	ALARM	123	45	Printer: D6500 Mode: SIA Mode:	DD/DD TT:TT L01 ACCT 123 ALARM_ZN 45 [10]1011sssssss123sAss45[13] [10]446B16[9]00150101[#s123 NBA45][13]
20.	OPENING	123	B5	Printer: D6500 Mode: SIA Mode:	DD/DD TT:TT L01 ACCT 123 OPENING B5 [10]1011sssssss123sOssB5[13] [10]17F616[9]00160101[#s123 NOPB5][13]
21.	CLOSING	123	C5	Printer: D6500 Mode: SIA Mode:	DD/DD TT:TT L01 ACCT 123 CLOSING B5 [10]1011sssssss123sCssC5[13] [10]BAE116[9]00170101[#s123 NCLC5][13]
22.	CANCEL	123	D5	Printer: D6500 Mode: SIA Mode:	DD/DD TT:TT L01 ACCT 123 CANCEL B5 [10]1011sssssss123s\ssD5[13] [10]797016[9]00180101[#s123 NOCD5][13]
23.	RESTORE	123	E5	Printer: D6500 Mode: SIA Mode:	DD/DD TT:TT L01 ACCT 123 RESTORE B5 [10]1011sssssss123sRssE5[13] [10]BB2C16[9]00190101[#s123 NURE5][13]
24.	TROUBLE	123	F5	Printer: D6500 Mode: SIA Mode:	DD/DD TT:TT L01 ACCT 123 TROUBLE B5 [10]1011sssssss123sTssF5[13] [10]EA3F16[9]00200101[#s123 NBTF5][13]

Table 101: Pulse 4/1

#	Event	Account Number	Reporting Digit	Device/Mode	Displays
25.	ALARM	1234	5	Printer: D6500 Mode: SIA Mode:	DD/DD TT:TT L01 ACCT 1234 ALARM_ZN 5 [10]1011sssssss1234sAsss5[13] [10]97CE15[9]00210101[#1234 NBA5][13]
26.	OPENING	1234	B	Printer: D6500 Mode: SIA Mode:	DD/DD TT:TT L01 ACCT 1234 OPENING [10]1011sssssss1234sOssss[13] [10]020A14[9]00220101[#1234 NOP][13]
27.	CLOSING	1234	C	Printer: D6500 Mode: SIA Mode:	DD/DD TT:TT L01 ACCT 1234 CLOSING [10]1011sssssss1234sCssss[13] [10]510314[9]00230101[#1234 NCL][13]
28.	CANCEL	1234	D	Printer: D6500 Mode: SIA Mode:	DD/DD TT:TT L01 ACCT 1234 CANCEL [10]1011sssssss1234s\ssss[13] [10]908414[9]00240101[#1234 NOC][13]
29.	RESTORE	1234	E	Printer: D6500 Mode: SIA Mode:	DD/DD TT:TT L01 ACCT 1234 RESTORE [10]1011sssssss1234sRssss[13] [10]976814[9]00250101[#1234 NUR][13]
30.	TROUBLE	1234	F	Printer: D6500 Mode: SIA Mode:	DD/DD TT:TT L01 ACCT 1234 TROUBLE [10]1011sssssss1234sTssss[13] [10]C29B14[9]00260101[#1234 NBT][13]

Table 102: Pulse 4/1E Menu 3.1.3.3 4/1 Extended = 1

#	Event	Account Number	Reporting Digit	Device/Mode	Displays
31.	ALARM	1234	45	Printer: D6500 Mode: SIA Mode:	DD/DD TT:TT L01 ACCT 1234 ALARM_ZN 45 [10]1011sssssss1234sAss45[13] [10]418416[9]00270101[#1234 NBA45][13]
32.	OPENING	1234	B5	Printer: D6500 Mode: SIA Mode:	DD/DD TT:TT L01 ACCT 1234 OPENING ZN 5 [10]1011sssssss1234sOsss5[13] [10]C5C215[9]00280101[#1234 NOP5][13]
33.	CLOSING	1234	C5	Printer: D6500 Mode: SIA Mode:	DD/DD TT:TT L01 ACCT 1234 CLOSING ZN 5 [10]1011sssssss1234sCsss5[13] [10]C35115[9]00290101[#1234 NCL5][13]
34.	CANCEL	1234	D5	Printer: D6500 Mode: SIA Mode:	DD/DD TT:TT L01 ACCT 1234 CANCEL ZN 5 [10]1011sssssss1234s\sss5[13] [10]3EE515[9]00300101[#1234 NOC5][13]
35.	RESTORE	1234	E5	Printer: D6500 Mode: SIA Mode:	DD/DD TT:TT L01 ACCT 1234 RESTORE ZN 5 [10]1011sssssss1234sRsss5[13] [10]B3E315[9]00310101[#1234 NUR5][13]
36.	TROUBLE	1234	F5	Printer: D6500 Mode: SIA Mode:	DD/DD TT:TT L01 ACCT 1234 TROUBLE ZN 5 [10]1011sssssss1234sTsss5[13] [10]F6F615[9]00320101[#1234 NBT5][13]

Table 103: Pulse 4/1E Menu 3.1.3.3 4/1 Extended = 2

#	Event	Account Number	Reporting Digit	Device/Mode	Displays
37.	ALARM	1234	45	Printer: D6500 Mode: SIA Mode:	DD/DD TT:TT L01 ACCT 1234 ALARM_ZN 45 [10]1011sssssss1234sAss45[13] [10]599816[9]00510102[#1234 NBA45][13]
38.	OPENING	1234	B5	Printer: D6500 Mode: SIA Mode:	DD/DD TT:TT L01 ACCT 1234 OPENING ZN B5 [10]1011sssssss1234sOssB5[13] [10]FA0016[9]00520102[#1234 NOPB5][13]
39.	CLOSING	1234	C5	Printer: D6500 Mode: SIA Mode:	DD/DD TT:TT L01 ACCT 1234 CLOSING ZN C5 [10]1011sssssss1234sCssC5[13] [10]571716[9]00530102[#1234 NCLC5][13]
40.	CANCEL	1234	D5	Printer: D6500 Mode: SIA Mode:	DD/DD TT:TT L01 ACCT 1234 CANCEL ZN D5 [10]1011sssssss1234s\ssD5[13] [10]F60416[9]00540102[#1234 NOC5][13]
41.	RESTORE	1234	E5	Printer: D6500 Mode: SIA Mode:	DD/DD TT:TT L01 ACCT 1234 RESTORE ZN E5 [10]1011sssssss1234sRssE5[13] [10]345816[9]00550102[#1234 NURE5][13]
42.	TROUBLE	1234	F5	Printer: D6500 Mode: SIA Mode:	DD/DD TT:TT L01 ACCT 1234 TROUBLE ZN F5 [10]1011sssssss1234sTssF5[13] [10]FB2C16[9]00560102[#1234 NBT5][13]

Table 104: Pulse 4/2

#	Event	Account Number	Reporting Digit	Device/Mode	Displays
43.	ALARM	1234	45	Printer: D6500 Mode: SIA Mode:	DD/DD TT:TT L01 ACCT 1234 ALARM_ZN 45 [10]1011sssssss1234sAss45[13] [10]220516[9]00330101[#1234 NBA45][13]
44.	OPENING	1234	B5	Printer: D6500 Mode: SIA Mode:	DD/DD TT:TT L01 ACCT 1234 OPENING B5 [10]1011sssssss1234sOssB5[13] [10]708D16[9]00340101[#1234 NOPB5][13]
45.	CLOSING	1234	C5	Printer: D6500 Mode: SIA Mode:	DD/DD TT:TT L01 ACCT 1234 CLOSING C5 [10]1011sssssss1234sCssC5[13] [10]DD9A16[9]00350101[#1234 NCLC5][13]
46.	CANCEL	1234	D5	Printer: D6500 Mode: SIA Mode:	DD/DD TT:TT L01 ACCT 1234 CANCEL D5 [10]1011sssssss1234s\ssD5[13] [10]4DC816[9]00360101[#1234 NOCD5][13]
47.	RESTORE	1234	E5	Printer: D6500 Mode: SIA Mode:	DD/DD TT:TT L01 ACCT 1234 RESTORE E5 [10]1011sssssss1234sRssE5[13] [10]8F9416[9]00370101[#1234 NURE5][13]
48.	TROUBLE	1234	F5	Printer: D6500 Mode: SIA Mode:	DD/DD TT:TT L01 ACCT 1234 TROUBLE F5 [10]1011sssssss1234sTssF5[13] [10]132316[9]00380101[#1234 NBTF5][13]

Table 105: Pulse 4/3

#	Event	Account Number	Reporting Digit	Device/Mode	Displays
49.	ALARM	1234	456	Printer: D6500 Mode: SIA Mode:	DD/DD TT:TT L01 ACCT 1234 ALARM_ZN 456 [10]1011sssssss1234sAs456[13] [10]D5C017[9]00390101[#1234 NBA456][13]
50.	OPENING	1234	B45	Printer: D6500 Mode: SIA Mode:	DD/DD TT:TT L01 ACCT 1234 OPENING B45 [10]1011sssssss1234sOsB45[13] [10]114C17[9]00400101[#1234 NOPB45][13]
51.	CLOSING	1234	C45	Printer: D6500 Mode: SIA Mode:	DD/DD TT:TT L01 ACCT 1234 CLOSING C45 [10]1011sssssss1234sCsC45[13] [10]1FA117[9]00410101[#1234 NCLC45][13]
52.	CANCEL	1234	D45	Printer: D6500 Mode: SIA Mode:	DD/DD TT:TT L01 ACCT 1234 CANCEL D45 [10]1011sssssss1234s\SD45[13] [10]E2B017[9]00420101[#1234 NOCD45][13]
53.	RESTORE	1234	E45	Printer: D6500 Mode: SIA Mode:	DD/DD TT:TT L01 ACCT 1234 RESTORE E45 [10]1011sssssss1234sRsE45[13] [10]DB7217[9]00430101[#1234 NURE45][13]
54.	TROUBLE	1234	F45	Printer: D6500 Mode: SIA Mode:	DD/DD TT:TT L01 ACCT 1234 TROUBLE F45 [10]1011sssssss1234sTsF45[13] [10]CC4C17[9]00440101[#1234 NBTF45][13]

Appendix F: Format ID (by Message Type) – D6600 Only



If D6600 Menu Item 2.5.17 equals 1, the following outputs apply.

Generic Example

D6500 Byte Description																					
1	2	3	4	5	6	7	8	9	10	11	12	13	14	15	16	17	18	19	20	21	22
h	9	r	r	l	s	s	s	s	a	a	a	a	C	C	C	C	C	C	C	C	t

Table 106: Generic Byte Description

#	Title	Description
1	Header Character (h)	Optional, check with the computer automation software for compatibility
2	Message Type	9
3-4	Receiver Number	Receiver gateway number from 01 to 99
5	Line/Group Number	Line number in the receiver gateway that sent the message
6-9	Spaces	Six spaces
10-13	Account Number	Account number, four digits
14-21	Channels	Channels 1 to 8
22	Trailer Character	Typically, this is HEX 14

Generic Example

SIA Mode Description

<LF><CRC><9><sequence#><receiver#><line#>[#aaaa|CCCCCCC]<CR>

Table 107: Generic SIA Byte Description

Title	Description
L	Standard line feed character
CRC	Cyclical redundancy check number
Message Type	9
sequence#	The message sequence number, the valid sequence number range is 0001 to 9999
receiver#	The receiver gateway that sent the message, valid digits are 01 to 99
line# (Line/Group #)	The line number of the line in the receiver gateway that sent the message. Valid digits are 00 to 99. The receiver uses Line 0 (zero) for internal messages.
account#	The communicator's account number, four digits.
CCCCCCC	Channel 1 to 8



The heavier outlined row in *Table 106* and *Table 107* indicate the meaning of the shaded digit in the D6500 Byte Description, SIA Mode Description Generic Examples, and *Table 108* on page 147.

Table 108 show examples for each format that the receiver supports. If Menu Item 2.5.17 = 1, the following message type follows a specific format ID. If Menu Item 2.5.17 = 0, the output to automation follows the standard message type ID.

Table 108: Message Examples				
#	Communication Format	Mode	Message	
1.	Acron Super Fast	SIA: D6500:	[10]146D18900120101[#123 45678912] [13] [10]9011sssss12345678912 [14]	
2.	Ademco Contact-ID	SIA: D6500:	[10]6A721Ca00140101[#7401 18113003003] [13] [10]a011s740118113003003 [14]	
3.	Ademco 4-1 Express	SIA: D6500:	[10]1FDC12b00150101[#1234 7] [13] [10]b011sssss1234sAss7 [14]	
4.	Ademco 4-2 Express	SIA: D6500:	[10]9D2F13c00160101[#1234 55] [13] [10]c011sssss1234sAss55 [14]	
5.	Ademco High Speed/Scancom	4-8-1	SIA: D6500:	[10]C3651Cf00180101[#1234 5678s9123s4] [13] [10]f011ss1234s5678s9123s4 [14]
		5-8-1	SIA: D6500:	[10]69311Df00190101[#12345 6789s1234s5] [13] [10]f011s12345s6789s1234s5 [14]
		6-8-1	SIA: D6500:	[10]42CD1Ef00200101[#123456 7891s2345s6] [13] [10]f011123456s7891s2345s6 [14]
6.	ADT SIA	SIA: D6500:	[10]0BB619G00480101[#0308 Nid390P2] [13] [10]G011[#0308 Nid390P2] [14]	
7.	Caller ID	SIA: D6500:	[10]257B1Ce00570101[#0000 &9569688558] [13] [10]e011sssss9569688558 [14]	
8.	CFSK	SIA: D6500:	[10]BDAE17d00270101[#123ABC 0108] [13] [10]d011ssss123ABC0108ss [14]	
9.	DSC/Sur-Gard 4-3	SIA: D6500:	[10]99EA17d00170101[#1234 NBA567] [13] [10]d011sssss1234sAs567 [14]	
10.	DTMF 4-1	SIA: D6500:	[10]02A215t00400101[#1234 NBA5] [13] [10]t011sssss1234sAss5 [14]	
11.	DTMF 4-2	SIA: D6500:	[10]40EC16u00410101[#1234 NBA56] [13] [10]u011sssss1234sAss56 [14]	
12.	FBI Super Fast	SIA: D6500:	[10]921C15F00470101[#1234 5678] [13] [10]F011sssss12345678ss [14]	
13.	Internal Message	SIA: D500:	[10]5FB90EZ00090124 [NLT] [13] [10]Z010ssssssssssXss51 [14]	
14.	ITI	SIA: D6500:	[10]ABFB19T00490101[#MMTST g090A31] [13] [10]T011sssMvMTSTg090A31 [14]	
15.	Link Test	SIA: D6500:	[10]2D270B[9]00920100 [] [13] [10]l010ssssssssss@s [14]	
16.	Pulse	3-1	SIA: D6500:	[10]827316p00340101[#s123 NBA12] [13] [10]p011sssss123sAss12 [14]
		3-1E	SIA: D6500:	[10]16A815p00330101[#s706 NBA1] [13] [10]p011sssss706sAss1 [14]
17.	Pulse 3-2	SIA: D6500:	[10]C37A16q00350101[#s706 NBA61] [13] [10]q011sssss706sAss61 [14]	
18.	Pulse	4-1	SIA: D6500:	[10]608F15r00360101[#7066 NBA0] [13] [10]r011sssss7066sAss0 [14]
		4-1E	SIA: D6500:	[10]5ACC16r00370101[#1234 NBA12] [13] [10]r011sssss1234sAss12 [14]
19.	Pulse	4-2	SIA: D6500:	[10]8A7F16s00380101[#7066 NBA02] [13] [10]s011sssss7066sAss02 [14]
		4-2E	SIA: D6500:	[10]185317s00390101[#1234 NBA566] [13] [10]s011sssss1234sAs566 [14]
20.	Modem IIIa ² or Modem IId	SIA: D6500:	[10]8B9C1AA00440101[#1234 Nti1158LF] [13] [10]A011sssss1234s*ssss [14]	
21.	Modem II	SIA: D6500:	[10]942B15B00450101[#1481 NUR2] [13] [10]B011sssss1481sRsss2 [14]	
22.	BFSK	SIA: D6500:	[10]FFF115C00460101[#s2B2 NBA3] [13] [10]C011sssss2B2sAss3 [14]	

Table 108: Message Examples (continued)			
#	Communication Format	Mode	Message
23.	Robofon	SIA: D6500:	[10]2D3B15j00280101[#123ABC 12] [13] [10]j011sssss123ABC12ssss [14]
24.	Scancom	4-16-1	SIA: D6500:
		5-16-1	SIA: D6500:
		6-16-1	SIA: D6500:
25.	Scancom	4-24-1	SIA: D6500:
		5-24-1	SIA: D6500:
		6-24-1	SIA: D6500:
26.	Series DTMF	SIA: D6500:	[10]61F619k00900101[#7080]*#000*** [13] [10]k01113*7080*#000*** [14]
27.	Series FSK	SIA: D6500:	[10]352815k00290101[#123AB 101] [13] [10]k011sssssss123ABs1s01 [14]
28.	Sescoa Super Speed	SIA: D6500:	[10]787215700110101[#0258 A56s] [13] [10]7011sssssss0258sA56ss [14]
29.	SIA	SIA: D6500:	[10]86E416[9]00500101[#7080 NBA01] [13] [10]s011[#7080 NBA01] [14]
30.	Silent Knight	FSK 0	SIA: D6500:
		FSK80	SIA: D6500:
31.	Silent Knight	FSK1	SIA: D6500:
		FSK2	SIA: D6500:
32.	Telim	SIA: D6500:	[10]C2EB26h00320101[#000257 1090000000110000000] [13] [10]h011s000257s1s090000000110000000 [14]
33.	Varitech FSK 4-1,Varitech FSK 4-2	VFSK 4-2	SIA: D6500:
		VFSK 4-1	SIA: D6500:
34.	VONK	SIA: D6500:	[10]802515v00450101[#55 123456789ABCDEFG] [13] [10]v01155123456789ABCDEFG [14]
35.	X-SIA	SIA: D6500:	[10]86E416[9]01430101[#1234 6011100*'THISISATEST'12] [13] [10]s011[#1234 6011100*'THISISATEST'12] [14]

Appendix G: ADT SIA Report Codes

Table 109: ADT SIA Report Codes

Description	ADT SIA
System Event	
System Reset	
Reset Memory	
AC Fail	AA
AC Restore	AH
AC Fail 4 hour	AT
AC Fail 4 hour Restore	AJ
TELCO Line Trouble (Line 1 or Line 2)	LT
TELCO Line Trouble Restore (Line 1 or Line 2)	LR
Low Battery System	YT
Low Battery Restore	YR
Change Date	

Description	ADT SIA
Expansion Module	
Interactive Keypad Tamper	IA
Interactive Keypad Trouble – Supervision	IT
Interactive Keypad Restore	IR
Cardreader Alarm	DA
Cardreader Trouble	DT
Cardreader Restore	DR
Point Gateway Tamper Alarm	EA
Point Gateway Tamper – Supervision	ET
Point Gateway Restore	ER
Printer Tamper Alarm	PA
Printer Trouble – Supervision	PT
Printer Restore	PR

Description	ADT SIA
Downloading	
DLL Aborted	RA
Start DLL	RB
DLL Interrupted	RI
End DLL Altered	RS
DLL Comm Fail	RT
End DLL Not Altered	RG

Description	ADT SIA
Burglary	
BA Burg Alarm	BA
BA PT Bypass	BB
BA Restore	BR
BA Trouble	BT
BA PT Unbypass	BU

Description	ADT SIA
Open/Close	
BA Auto Close	CA
BA Auto Close with Bypass – within Group	CB
BA Trouble Closing (closed with burg during exit)	CF
BA Bypass Closing – within Group	CG
BA Closing	CL
BA Auto Open	OA
BA Irregular Opening	OI
BA Opening	OP
BA No Close – Sched close time expire	OT
BA Exit Fail, exit error (user)	EF

Description	ADT SIA
Fire	
Fire Alarm	FA
Fire Trouble	FT
Fire Restore	FR
Fire Alarm Silence	
Fire Point Bypass	FB
Fire Alarm Point Unbypass	FU
Supervisory Alarm	SS
Supervisory Trouble	ST
Supervisory Restore	SR
Supervisory Point Bypass	SB
Supervisory Unbypass	SU

Description	ADT SIA
Panic	
Hold-Up Alarm	HA
Hold-Up Point Trouble (sensor trouble)	HT
Hold-Up Restore	HR
Hold-Up Point Bypass	HB
Hold-Up Point Unbypass	HU
Hostage Alarm (Duress)	HH
Hostage Restore	HR
Medical Alarm	MA
Medical Restore	MR

Description	ADT SIA
Scheduling	
BA Change Close Time	
Change Auto On Level	
Change Close Time Print Only	

Table 109: ADT SIA Report Codes (Continued)

Description	ADT SIA
Other	
Supervised Bell Alarm	UA
Supervised Bell Trouble	UT
Supervised Bell Restore	UR
Remote Power Supply Alarm	UA
Remote Power Supply Trouble	UT
Remote Power Supply Restore	UR
Keyswitch Alarm	UA
Keyswitch Trouble	UT
Keyswitch Restore	UR
Janitor Keyswitch Alarm	UA
Janitor Keyswitch Trouble	UT
Janitor Keyswitch Restore	UR
Janitor On Premises (user on premises)	Jl
Janitor Off Premises (user on premises restore)	JO
ADT On Premises	SI
ADT Off Premises	SO
Tamper Alarm	TA
Tamper Restore	TR
VVS Bypass	VB
VVS Unbypass	VU
Keypad Active	AC
Audible Walk Test	AT
Change Code	
Change Early Open	
Change Holiday	
Change Latest Close (sent to CMC only if Closing sched is altered)	CL
Change Open Time, schedule change	
Change Time, time/date reset	

Description	ADT SIA
System Test	
Walk Test, walk test mode	WT
Bell Test	BT
Hold-Up Test Alarm (sent to printer)	
Hold-Up Test Restore (sent to printer)	
Start FA Test, fire test	FM
End FA Test, fire test restore	FK
Start BA Test	BN
End BA Test	BK
Start Supervision Test	SM
End Supervision Test	SK
Start Hold-Up Test	HM
End Hold-Up Test	HK
Long Print	
Short Print	
Supervisory Test Print, manual trigger test report	ST
Supervisory Test Restore	ST
Fire Test Alarm Print, fire test	FA
Fire Test Restore Print, fire test restore	FR
BA Point Test Print	BT
BA Point Test Restore Print	BT
Hold-Up Suspicion Print	HS
Keypad No Access	NA
Untyped Bypass	UB
Untyped Unbypass	UU
Tamper Bypass	TB
Tamper Unbypass	TU
BA Diagnostics	BW
FA Diagnostics	FW
Output Trouble	UT
Output Restore	UR
Point Trouble	UT
Point Alarm, general alarm	UA

Description	ADT SIA
Point Restore, general alarm restore	UR
Untyped Diagnostics	UW
BA Weak Battery	BL
FA Weak Battery	FL
HA Weak Battery	HL
SA Weak Battery	SL
UA Weak Battery	UL

Description	ADT SIA
Access	
2 Man 2 nd Person	
Keypad Lockout	
Cardreader Irregular Access	DI
Manual PB Access, remote arm/disarm opening	MP
Access Denied Code Known, access denied	DK
Access Denied Code Unknown, access denied	DD

Description	ADT SIA
Dialer Test Report	
Dialer Test Report	RP1
Dialer Test Report with System Trouble	RP5

Appendix H: D6600 RB2000 Messages



For lines that are grouped, Gxx appears instead of Lxx.

Table 110: D6600 RB2000 Messages

#	Event	Device/ Mode	Display
1.	Mains Power Failure	SIA Printer	<header> [<VDS message>] <CR> MM/DD HH:MM Lxx RB2 ACCT xxxxxxxxxxxxxx +++ 0E 00 00 00 32
2.		SIA Printer	<header> [<VDS message>] <CR> MM/DD HH:MM Lxx RB2 ACCT xxxxxxxxxxxxxx +++ 0E 00 00 00 34
3.	Mains Power Return	SIA Printer	<header> [<VDS message>] <CR> MM/DD HH:MM Lxx RB2 ACCT xxxxxxxxxxxxxx +++ 0E 00 00 00 B2
4.		SIA Printer	<header> [<VDS message>] <CR> MM/DD HH:MM Lxx RB2 ACCT xxxxxxxxxxxxxx +++ 0E 00 00 00 B4
5.	Battery Broken	SIA Printer	<header> [<VDS message>] <CR> MM/DD HH:MM Lxx RB2 ACCT xxxxxxxxxxxxxx +++ 0E 00 00 00 33
6.	RF Y Battery Empty	SIA Printer	<header> [<VDS message>] <CR> MM/DD HH:MM Lxx RB2 ACCT xxxxxxxxxxxxxx +++ 0E 00 02 XY 33
7.	RF Y Battery Full	SIA Printer	<header> [<VDS message>] <CR> MM/DD HH:MM Lxx RB2 ACCT xxxxxxxxxxxxxx +++ 0E 00 00 00 B7
8.	HTS Battery Empty	SIA Printer	<header> [<VDS message>] <CR> MM/DD HH:MM Lxx RB2 ACCT xxxxxxxxxxxxxx +++ 0E 00 00 00 37
9.	HTS Battery Full	SIA Printer	<header> [<VDS message>] <CR> MM/DD HH:MM Lxx RB2 ACCT xxxxxxxxxxxxxx +++ 0E 00 00 00 B7
10.	Sensor Battery	SIA Printer	<header> [<VDS message>] <CR> MM/DD HH:MM Lxx RB2 ACCT xxxxxxxxxxxxxx +++ 0E 00 00 00 38
11.		SIA Printer	<header> [<VDS message>] <CR> MM/DD HH:MM Lxx RB2 ACCT xxxxxxxxxxxxxx +++ 0E 00 00 00 B8
12.	Technical Alarm	SIA Printer	<header> [<VDS message>] <CR> MM/DD HH:MM Lxx RB2 ACCT xxxxxxxxxxxxxx +++ 0E 00 00 00 41
13.	Technical Alarm Confirmed	SIA Printer	<header> [<VDS message>] <CR> MM/DD HH:MM Lxx RB2 ACCT xxxxxxxxxxxxxx +++ 0E 00 00 00 C1

Table 110: D6600 RB2000 Messages (continued)

#	Event	Device/ Mode	Display
14.	PRO 100 Transmitter	SIA Printer	<header> [<VDS message>] <CR> MM/DD HH:MM Lxx RB2 ACCT xxxxxxxxxxxxxxxx +++ 0E 00 00 00 42
15.		SIA Printer	<header> [<VDS message>] <CR> MM/DD HH:MM Lxx RB2 ACCT xxxxxxxxxxxxxxxx +++ 0E 00 00 00 C2
16.	PRO 100 Pull Cord	SIA Printer	<header> [<VDS message>] <CR> MM/DD HH:MM Lxx RB2 ACCT xxxxxxxxxxxxxxxx +++ 0E 00 00 00 43
17.		SIA Printer	<header> [<VDS message>] <CR> MM/DD HH:MM Lxx RB2 ACCT xxxxxxxxxxxxxxxx +++ 0E 00 00 00 C3
18.	PRO 100 Situation Alarm	SIA Printer	<header> [<VDS message>] <CR> MM/DD HH:MM Lxx RB2 ACCT xxxxxxxxxxxxxxxx +++ 0E 00 00 00 44
19.		SIA Printer	<header> [<VDS message>] <CR> MM/DD HH:MM Lxx RB2 ACCT xxxxxxxxxxxxxxxx +++ 0E 00 00 00 C4
20.	Pull Switch	SIA Printer	<header> [<VDS message>] <CR> MM/DD HH:MM Lxx RB2 ACCT xxxxxxxxxxxxxxxx +++ 0E 00 00 00 46
21.		SIA Printer	<header> [<VDS message>] <CR> MM/DD HH:MM Lxx RB2 ACCT xxxxxxxxxxxxxxxx +++ 0E 00 00 00 C6
22.	Confirmation at Local Unit	SIA Printer	<header> [<VDS message>] <CR> MM/DD HH:MM Lxx RB2 ACCT xxxxxxxxxxxxxxxx +++ 0E 00 00 00 47
23.		SIA Printer	<header> [<VDS message>] <CR> MM/DD HH:MM Lxx RB2 ACCT xxxxxxxxxxxxxxxx +++ 0E 00 00 00 C7
24.	Hand Transmitter/Button	SIA Printer	<header> [<VDS message>] <CR> MM/DD HH:MM Lxx RB2 ACCT xxxxxxxxxxxxxxxx +++ 0E 00 00 00 48
25.		SIA Printer	<header> [<VDS message>] <CR> MM/DD HH:MM Lxx RB2 ACCT xxxxxxxxxxxxxxxx +++ 0E 00 00 00 C8
26.	Emergency Button	SIA Printer	<header> [<VDS message>] <CR> MM/DD HH:MM Lxx RB2 ACCT xxxxxxxxxxxxxxxx +++ 0E 00 00 00 49
27.		SIA Printer	<header> [<VDS message>] <CR> MM/DD HH:MM Lxx RB2 ACCT xxxxxxxxxxxxxxxx +++ 0E 00 00 00 C9
28.	External Input X	SIA Printer	<header> [<VDS message>] <CR> MM/DD HH:MM Lxx RB2 ACCT xxxxxxxxxxxxxxxx +++ 0E 00 01 XX 49
29.		SIA Printer	<header> [<VDS message>] <CR> MM/DD HH:MM Lxx RB2 ACCT xxxxxxxxxxxxxxxx +++ 0E 00 01 XX C9

Table 110: D6600 RB2000 Messages (continued)

#	Event	Device/ Mode	Display
30.	RF Y - Alarm	SIA Printer	<header> [<VDS message>] <CR> MM/DD HH:MM Lxx RB2 ACCT xxxxxxxxxxxxxxx +++ 0E 00 02 XY 49
31.		SIA Printer	<header> [<VDS message>] <CR> MM/DD HH:MM Lxx RB2 ACCT xxxxxxxxxxxxxxx +++ 0E 00 02 XY C9
32.	Activity Monitor	SIA Printer	<header> [<VDS message>] <CR> MM/DD HH:MM Lxx RB2 ACCT xxxxxxxxxxxxxxx +++ 0E 00 00 00 4A
33.		SIA Printer	<header> [<VDS message>] <CR> MM/DD HH:MM Lxx RB2 ACCT xxxxxxxxxxxxxxx +++ 0E 00 00 00 CA
34.	Fire Alarm	SIA Printer	<header> [<VDS message>] <CR> MM/DD HH:MM Lxx RB2 ACCT xxxxxxxxxxxxxxx +++ 0E 00 00 00 4B
35.		SIA Printer	<header> [<VDS message>] <CR> MM/DD HH:MM Lxx RB2 ACCT xxxxxxxxxxxxxxx +++ 0E 00 00 00 CB
36.	Fire Alarm from Ext Input X	SIA Printer	<header> [<VDS message>] <CR> MM/DD HH:MM Lxx RB2 ACCT xxxxxxxxxxxxxxx +++ 0E 00 01 XX 4B
37.	Intrusion	SIA Printer	<header> [<VDS message>] <CR> MM/DD HH:MM Lxx RB2 ACCT xxxxxxxxxxxxxxx +++ 0E 00 00 00 4C
38.		SIA Printer	<header> [<VDS message>] <CR> MM/DD HH:MM Lxx RB2 ACCT xxxxxxxxxxxxxxx +++ 0E 00 00 00 CC
39.	Intrusion from Ext Input X	SIA Printer	<header> [<VDS message>] <CR> MM/DD HH:MM Lxx RB2 ACCT xxxxxxxxxxxxxxx +++ 0E 00 01 XX 4C
40.	Intrusion from RF X	SIA Printer	<header> [<VDS message>] <CR> MM/DD HH:MM Lxx RB2 ACCT xxxxxxxxxxxxxxx +++ 0E 00 01 XX 4C
41.	External Alarm Button	SIA Printer	<header> [<VDS message>] <CR> MM/DD HH:MM Lxx RB2 ACCT xxxxxxxxxxxxxxx +++ 0E 00 00 00 4D
42.		SIA Printer	<header> [<VDS message>] <CR> MM/DD HH:MM Lxx RB2 ACCT xxxxxxxxxxxxxxx +++ 0E 00 00 00 CD
43.	Protocol Error	SIA Printer	<header> [<VDS message>] <CR> MM/DD HH:MM Lxx RB2 ACCT xxxxxxxxxxxxxxx +++ 0E 00 00 00 4E
44.		SIA Printer	<header> [<VDS message>] <CR> MM/DD HH:MM Lxx RB2 ACCT xxxxxxxxxxxxxxx +++ 0E 00 00 00 CE
45.	RF Y Error	SIA Printer	<header> [<VDS message>] <CR> MM/DD HH:MM Lxx RB2 ACCT xxxxxxxxxxxxxxx +++ 0E 00 02 XY 51
46.		SIA Printer	<header> [<VDS message>] <CR> MM/DD HH:MM Lxx RB2 ACCT xxxxxxxxxxxxxxx +++ 0E 00 02 XY D1

Table 110: D6600 RB2000 Messages (continued)

#	Event	Device/ Mode	Display
47.	RF Y Maintenance	SIA Printer	<header> [<VDS message>] <CR> MM/DD HH:MM Lxx RB2 ACCT xxxxxxxxxxxxxx +++ 0E 00 02 XY 52
48.		SIA Printer	<header> [<VDS message>] <CR> MM/DD HH:MM Lxx RB2 ACCT xxxxxxxxxxxxxx +++ 0E 00 02 XY D2
49.	RF Y Start	SIA Printer	<header> [<VDS message>] <CR> MM/DD HH:MM Lxx RB2 ACCT xxxxxxxxxxxxxx +++ 0E 00 02 XY 53
50.		SIA Printer	<header> [<VDS message>] <CR> MM/DD HH:MM Lxx RB2 ACCT xxxxxxxxxxxxxx +++ 0E 00 02 XY D3
51.	RF Y Disassembly	SIA Printer	<header> [<VDS message>] <CR> MM/DD HH:MM Lxx RB2 ACCT xxxxxxxxxxxxxx +++ 0E 00 02 XY 54
52.		SIA Printer	<header> [<VDS message>] <CR> MM/DD HH:MM Lxx RB2 ACCT xxxxxxxxxxxxxx +++ 0E 00 02 XY D4
53.	RF Y Test OK	SIA Printer	<header> [<VDS message>] <CR> MM/DD HH:MM Lxx RB2 ACCT xxxxxxxxxxxxxx +++ 0E 00 02 XY 55
54.		SIA Printer	<header> [<VDS message>] <CR> MM/DD HH:MM Lxx RB2 ACCT xxxxxxxxxxxxxx +++ 0E 00 02 XY D5
55.	RF Y Test NOK	SIA Printer	<header> [<VDS message>] <CR> MM/DD HH:MM Lxx RB2 ACCT xxxxxxxxxxxxxx +++ 0E 00 02 XY 56
56.		SIA Printer	<header> [<VDS message>] <CR> MM/DD HH:MM Lxx RB2 ACCT xxxxxxxxxxxxxx +++ 0E 00 02 XY D6
57.	RF Y Plug	SIA Printer	<header> [<VDS message>] <CR> MM/DD HH:MM Lxx RB2 ACCT xxxxxxxxxxxxxx +++ 0E 00 02 XY 57
58.		SIA Printer	<header> [<VDS message>] <CR> MM/DD HH:MM Lxx RB2 ACCT xxxxxxxxxxxxxx +++ 0E 00 02 XY D7
59.	RF Y Test	SIA Printer	<header> [<VDS message>] <CR> MM/DD HH:MM Lxx RB2 ACCT xxxxxxxxxxxxxx +++ 0E 00 02 XY 58
60.		SIA Printer	<header> [<VDS message>] <CR> MM/DD HH:MM Lxx RB2 ACCT xxxxxxxxxxxxxx +++ 0E 00 02 XY D8
61.	Outgoing Call HNZ	SIA Printer	<header> [<VDS message>] <CR> MM/DD HH:MM Lxx RB2 ACCT xxxxxxxxxxxxxx +++ 0E 00 00 00 60
62.	Resetting	SIA Printer	<header> [<VDS message>] <CR> MM/DD HH:MM Lxx RB2 ACCT xxxxxxxxxxxxxx +++ 0E 00 00 00 61
63.	Personal Sign In	SIA Printer	<header> [<VDS message>] <CR> MM/DD HH:MM Lxx RB2 ACCT xxxxxxxxxxxxxx+++ 0E 00 00 00 62

Table 110: D6600 RB2000 Messages (continued)

#	Event	Device/ Mode	Display
64.	Personal Sign Out	SIA Printer	<header> [<VDS message>] <CR> MM/DD HH:MM Lxx RB2 ACCT xxxxxxxxxxxxxx +++ 0E 00 00 00 63
65.	Door Alarm	SIA Printer	<header> [<VDS message>] <CR> MM/DD HH:MM Lxx RB2 ACCT xxxxxxxxxxxxxx +++ 0E 00 00 00 64
66.	Bed Alarm	SIA Printer	<header> [<VDS message>] <CR> MM/DD HH:MM Lxx RB2 ACCT xxxxxxxxxxxxxx +++ 0E 00 00 00 65
67.	Medical Remind	SIA Printer	<header> [<VDS message>] <CR> MM/DD HH:MM Lxx RB2 ACCT xxxxxxxxxxxxxx +++ 0E 00 00 00 66
68.	Message 1	SIA Printer	<header> [<VDS message>] <CR> MM/DD HH:MM Lxx RB2 ACCT xxxxxxxxxxxxxx +++ 0E 00 00 00 67
69.	Message 2	SIA Printer	<header> [<VDS message>] <CR> MM/DD HH:MM Lxx RB2 ACCT xxxxxxxxxxxxxx +++ 0E 00 00 00 68
70.	Message 3	SIA Printer	<header> [<VDS message>] <CR> MM/DD HH:MM Lxx RB2 ACCT xxxxxxxxxxxxxx +++ 0E 00 00 00 69
71.	Sign Out	SIA Printer	<header> [<VDS message>] <CR> MM/DD HH:MM Lxx RB2 ACCT xxxxxxxxxxxxxx +++ 0E 00 00 00 71
72.		SIA Printer	<header> [<VDS message>] <CR> MM/DD HH:MM Lxx RB2 ACCT xxxxxxxxxxxxxx +++ 0E 00 00 00 78
73.	Sign In	SIA Printer	<header> [<VDS message>] <CR> MM/DD HH:MM Lxx RB2 ACCT xxxxxxxxxxxxxx +++ 0E 00 00 00 F1
74.		SIA Printer	<header> [<VDS message>] <CR> MM/DD HH:MM Lxx RB2 ACCT xxxxxxxxxxxxxx +++ 0E 00 00 00 F8
75.	Service Call	SIA Printer	<header> [<VDS message>] <CR> MM/DD HH:MM Lxx RB2 ACCT xxxxxxxxxxxxxx +++ 0E 00 00 00 72
76.		SIA Printer	<header> [<VDS message>] <CR> MM/DD HH:MM Lxx RB2 ACCT xxxxxxxxxxxxxx +++ 0E 00 00 00 F2
77.	Repeated Call	SIA Printer	<header> [<VDS message>] <CR> MM/DD HH:MM Lxx RB2 ACCT xxxxxxxxxxxxxx +++ 0E 00 00 00 73
78.	Confirmation Call	SIA Printer	<header> [<VDS message>] <CR> MM/DD HH:MM Lxx RB2 ACCT xxxxxxxxxxxxxx +++ 0E 00 00 00 F3
79.	Pager Call Activated	SIA Printer	<header> [<VDS message>] <CR> MM/DD HH:MM Lxx RB2 ACCT xxxxxxxxxxxxxx +++ 0E 00 00 00 74
80.	Full Duplex Communication	SIA Printer	<header> [<VDS message>] <CR> MM/DD HH:MM Lxx RB2 ACCT xxxxxxxxxxxxxx +++ 0E 00 00 00 75

Table 110: D6600 RB2000 Messages (continued)

#	Event	Device/ Mode	Display
81.	Test Call	SIA Printer	<header> [<VDS message>] <CR> MM/DD HH:MM Lxx RB2 ACCT xxxxxxxxxxxxxx +++ 0E 00 00 00 79
82.		SIA Printer	<header> [<VDS message>] <CR> MM/DD HH:MM Lxx RB2 ACCT xxxxxxxxxxxxxx +++ 0E 00 00 00 F9
83.	RF Jamming	SIA Printer	<header> [<VDS message>] <CR> MM/DD HH:MM Lxx RB2 ACCT xxxxxxxxxxxxxx +++ 0E 00 00 00 7A
84.		SIA Printer	<header> [<VDS message>] <CR> MM/DD HH:MM Lxx RB2 ACCT xxxxxxxxxxxxxx +++ 0E 00 00 00 FA
85.	RF Y No Alive	SIA Printer	<header> [<VDS message>] <CR> MM/DD HH:MM Lxx RB2 ACCT xxxxxxxxxxxxxx +++ 0E 00 02 XY 7B
86.		SIA Printer	<header> [<VDS message>] <CR> MM/DD HH:MM Lxx RB2 ACCT xxxxxxxxxxxxxx +++ 0E 00 02 XY FB
87.	Call for Assistance	SIA Printer	<header> [<VDS message>] <CR> MM/DD HH:MM Lxx RB2 ACCT xxxxxxxxxxxxxx +++ 0E 00 00 00 7C
88.		SIA Printer	<header> [<VDS message>] <CR> MM/DD HH:MM Lxx RB2 ACCT xxxxxxxxxxxxxx +++ 0E 00 00 00 FC
89.	Registration Call	SIA Printer	<header> [<VDS message>] <CR> MM/DD HH:MM Lxx RB2 ACCT xxxxxxxxxxxxxx +++ 0E 00 00 00 7D
90.		SIA Printer	<header> [<VDS message>] <CR> MM/DD HH:MM Lxx RB2 ACCT xxxxxxxxxxxxxx +++ 0E 00 00 00 FD
91.	Manual Test Call	SIA Printer	<header> [<VDS message>] <CR> MM/DD HH:MM Lxx RB2 ACCT xxxxxxxxxxxxxx +++ 0E 00 00 00 7E
92.		SIA Printer	<header> [<VDS message>] <CR> MM/DD HH:MM Lxx RB2 ACCT xxxxxxxxxxxxxx +++ 0E 00 00 00 FE
93.	Release Code XX XX	SIA Printer	<header> [<VDS message>] <CR> MM/DD HH:MM Lxx RB2 ACCT xxxxxxxxxxxxxx +++ 0E 00 XX XX FF
94.	Error Message HNZ2001	SIA Printer	<header> [<VDS message>] <CR> MM/DD HH:MM Lxx RB2 ACCT xxxxxxxxxxxxxx +++ 0E 01 YY XX 42
95.	Error Ended HNZ2001	SIA Printer	<header> [<VDS message>] <CR> MM/DD HH:MM Lxx RB2 ACCT xxxxxxxxxxxxxx +++ 0E 01 YY XX C2
96.	Status: Mains Power Failure	SIA Printer	<header> [<VDS message>] <CR> MM/DD HH:MM Lxx RB2 ACCT xxxxxxxxxxxxxx +++ A2 00 00 00 32
97.	Status: Battery Broken	SIA Printer	<header> [<VDS message>] <CR> MM/DD HH:MM Lxx RB2 ACCT xxxxxxxxxxxxxx +++ A2 00 00 00 33

Table 110: D6600 RB2000 Messages (continued)

#	Event	Device/ Mode	Display
98.	Status: Battery Empty	SIA Printer	<header> [<VDS message>] <CR> MM/DD HH:MM Lxx RB2 ACCT xxxxxxxxxxxxxx +++ A2 00 00 00 37
99.	Status: Signed Out	SIA Printer	<header> [<VDS message>] <CR> MM/DD HH:MM Lxx RB2 ACCT xxxxxxxxxxxxxx +++ A2 00 00 00 71
100.	Remote Programming Request	SIA Printer	<header> [<VDS message>] <CR> MM/DD HH:MM Lxx RB2 ACCT xxxxxxxxxxxxxx +++ 10 00 xx yy 70

Appendix I: D6600 SafeCom Messages



In D6500 Mode, the line number sent to the computer is only one digit. Refer to *Table 111*.



If Virtual Line is 00, it is disabled. The D6600 reports the actual D6600 line card number.

Table 111: D6600 Virtual Line Conversion Table

Line#	Converted to		Line#	Converted to	
	D6500	SIA		D6500	SIA
01	1	01	13	J	13
02	2	02	14	K	14
03	3	03	15	L	15
04	4	04	16	M	16
05	5	05	17	N	17
06	6	06	18	O	18
07	7	07	19	P	19
08	8	08	1A	Q	1a
09	9	09	1B	R	1b
0A	A	0a	1C	S	1c
0B	B	0b	1D	T	1d
0C	C	0c	1E	U	1e
0D	D	0d	1F	V	1f
0E	E	0e	20	W	20
0F	F	0f	21	X	21
10	G	10	22	Y	22
11	H	11	23	Y	22
12	I	12	FF	Y	22



For D6500 Mode, any Virtual Line greater than or equal to 22 is reported as Y.

For SIA Mode, any Virtual Line greater than or equal to 22 is reported as 22.

Table 112: D6600 SafeCom Messages - Line Card or Account Signals

#	Event	Device/ Mode	Display	Notes on Auto Output
1.	System Startup	6500 SIA ¹	hprrl00000100t <header>[#0000 0100]	
		Printer ²	dd/dd tt:tt Sxx SYSTEM STARTUP	
2.	Radio Restart	6500 SIA ¹	hprrl0aaa0100t <header>[#0aaa 0100]	
		Printer ²	dd/dd tt:tt Sxx aaa>restart	
3.	Battery Trouble	6500 SIA ¹	hprrl0aaa0103t <header>[#0aaa 0103]	
		Printer ²	dd/dd tt:tt Sxx aaa>BATTERY TROUBLE	
4.	Battery Restoral	6500 SIA ¹	hprrl0aaa0104t <header>[#0aaa 0104]	
		Printer ²	dd/dd tt:tt Sxx aaa battery restore	
5.	Aux. Fault	6500 SIA ¹	hprrl0aaa0103t <header>[#0aaa 0103]	Only valid for DP1000, PID-FE10
		Printer ²	dd/dd tt:tt Sxx aaa>AUX FAULT	
6.	Aux. Restoral	6500 SIA ¹	hprrl0aaa0104t <header>[#0aaa 0104]	Only valid for DP1000, PID-FE10
		Printer ²	dd/dd tt:tt Sxx aaa aux restore	
7.	AC Trouble	6500 SIA ¹	hprrl0aaa0105t <header>[#0aaa 0105]	
		Printer ²	dd/dd tt:tt Sxx aaa>AC TROUBLE	
8.	AC Restoral	6500 SIA ¹	hprrl0aaa0106t <header>[#0aaa 0106]	
		Printer ²	dd/dd tt:tt Sxx aaa ac restore	
9.	External Power Fail	6500 SIA ¹	hprrl0aaa0105t <header>[#0aaa 0105]	SC3100 PID-0330 or 0340, SC2104 PID-0430 or 0440
		Printer ²	dd/dd tt:tt Sxx aaa>POWER TROUBLE	
10.	External Power Restoral	6500 SIA ¹	hprrl0aaa0106t <header>[#0aaa 0106]	SC3100 PID-0330 or 0340, SC2104 PID-0430 or 0440
		Printer ²	dd/dd tt:tt Sxx aaa power restore	
11.	Remote Com Restore	6500 SIA ¹	hprrl0aaa0110t <header>[#0aaa 0110]	This indicates that the radio could not report a previous message (until just now).
		Printer ²	dd/dd tt:tt Sxx aaa>REMOTE COM RESTORE	
12.	RF Trouble	6500 SIA ¹	hprrl0aaa0111t <header>[#0aaa 0111]	
		Printer ²	dd/dd tt:tt Sxx aaa>RF TROUBLE	
13.	RF Restore	6500 SIA ¹	hprrl0aaa0112t <header>[#0aaa 0112]	
		Printer ²	dd/dd tt:tt Sxx aaa rf restore	
14.	System RF Channel Busy	6500 SIA ¹	hprrl00000111t <header>[#0000 0111]	
		Printer ²	dd/dd tt:tt Sxx CHn>CHANNEL BUSY	

1 - Refer to Table 114 Explanation of Automation Output Items (within Message Body only) on page 164.

2 - Refer to Table 115 Explanation of Printer Output Items on page 165.

Table 112: D6600 SafeCom Messages - Line Card or Account Signals (continued)				
#	Event	Device/ Mode	Display	Notes on Auto Output
15.	System RF Channel Clear	6500 SIA ¹	hprrl00000112t <header>[#0000 0112]	
		Printer ²	dd/dd tt:tt Sxx CHn channel clear	
16.	Channel Busy	6500 SIA ¹	hprrl0aaa0121t <header>[#0aaa 0121]	
		Printer ²	dd/dd tt:tt Sxx aaa>CHANNEL BUSY	
17.	Channel Clear	6500 SIA ¹	hprrl0aaa0122t <header>[#0aaa 0122]	
		Printer ²	dd/dd tt:tt Sxx aaa channel clear	
18.	Dialer Error	6500 SIA ¹	hprrl0aaa022000t <header>[#0aaa 022000]	Dialer error is reported to automation in a format similar to 3-1 event.
		Printer ²	dd/dd tt:tt Sxx aaa>DIALER ERROR e	
			"e" is error code. See below for details: 0 - unknown error 4 - unexpected disconnect 1 - dialing error 5 - validation error 2 - handshake error 6 - priority error 3 - noise error	
19.	Tamper Fault	6500 SIA ¹	hprrl0aaa03200301t <header>[#0aaa 03200301]	
		Printer ²	dd/dd tt:tt Sxx aaa>TAMPER FAULT	
20.	Tamper Restore	6500 SIA ¹	hprrl0aaa03200101t <header>[#0aaa 03200101]	
		Printer ²	dd/dd tt:tt Sxx aaa tamper restore	
21.	Phone Line Fail	6500 SIA ¹	hprrl0aaa03200301t <header>[#0aaa 03200301]	Only valid for SC2104
		Printer ²	dd/dd tt:tt Sxx aaa>TELCO TROUBLE	
22.	Phone Line Restore	6500 SIA ¹	hprrl0aaa03200101t <header>[#0aaa 03200101]	Only valid for SC2104
		Printer ²	dd/dd tt:tt Sxx aaa telco restore	
23.	Aux. Power Fail	6500 SIA ¹	hprrl0aaa03200301t <header>[#0aaa 03200301]	Only valid for SC5000
		Printer ²	dd/dd tt:tt Sxx aaa>AUX POWER TROUBLE	
24.	Aux. Power Restore	6500 SIA ¹	hprrl0aaa03200101t <header>[#0aaa 03200101]	Only valid for SC5000
		Printer ²	dd/dd tt:tt Sxx aaa aux power restore	
25.	Fire Panic	6500 SIA ¹	hprrl0aaa03200302t <header>[#0aaa 03200302]	Only valid for SC5000
		Printer ²	dd/dd tt:tt Sxx aaa>FIRE PANIC	
26.	Burglary Panic	6500 SIA ¹	hprrl0aaa03200303t <header>[#0aaa 03200303]	Only valid for SC5000
		Printer ²	dd/dd tt:tt Sxx aaa>BURGLARY PANIC	

1 - Refer to Table 114 Explanation of Automation Output Items (within Message Body only) on page 164.
 2 - Refer to Table 115 Explanation of Printer Output Items on page 165.

Table 112: D6600 SafeCom Messages - Line Card or Account Signals (continued)

#	Event	Device/ Mode	Display	Notes on Auto Output
27.	Silent/Medical Panic	6500 SIA ¹	hprrl0aaa03200304t <header>[#0aaa 03200304]	Only valid for SC5000
		Printer ²	dd/dd tt:tt Sxx aaa>SILENT/MEDICAL PANIC	
28.	Operator Evacuation Bell	6500 SIA ¹	hprrl0aaa03200305t <header>[#0aaa 03200305]	Only valid for SC5000
		Printer ²	dd/dd tt:tt Sxx aaa>OPERATOR EVACUATION	
29.	Input Normal	6500 SIA ¹	hprrl0aaa0320011it <header>[#0aaa 0320011i]	
		Printer ²	dd/dd tt:tt Sxx aaa normal: input i	
30.	Input Open	6500 SIA ¹	hprrl0aaa0320021it <header>[#0aaa 0320021i]	
		Printer ²	dd/dd tt:tt Sxx aaa>OPENED: input i	
31.	Input Short	6500 SIA ¹	hprrl0aaa0320031it <header>[#0aaa 0320031i]	
		Printer ²	dd/dd tt:tt Sxx aaa>SHORTED: input i	
32.	Input Bypass	6500 SIA ¹	hprrl0aaa0320041it <header>[#0aaa 0320041i]	
		Printer ²	dd/dd tt:tt Sxx aaa bypass: input i	
33.	Input Unbypass	6500 SIA ¹	hprrl0aaa0320051it <header>[#0aaa 0320051i]	
		Printer ²	dd/dd tt:tt Sxx aaa unbypass: input i	
34.	Zone Restore	6500 SIA ¹	hprrl0aaa0320011zt <header>[#0aaa 0320011z]	Only valid for SC5000
		Printer ²	dd/dd tt:tt Sxx aaa restore: zone z	
35.	Zone Trouble	6500 SIA ¹	hprrl0aaa0320021zt <header>[#0aaa 0320021z]	Only valid for SC5000
		Printer ²	dd/dd tt:tt Sxx aaa>TROUBLE: zone z	
36.	Fire Alarm	6500 SIA ¹	hprrl0aaa0320031zt <header>[#0aaa 0320031z]	Only valid for SC5000, depending on the zone type
		Printer ²	dd/dd tt:tt Sxx aaa>FIRE: zone z	
37.	Silent Alarm	6500 SIA ¹	hprrl0aaa0320031zt <header>[#0aaa 0320031z]	Only valid for SC5000, depending on the zone type
		Printer ²	dd/dd tt:tt Sxx aaa>SILENT: zone z	
38.	Burglary Alarm	6500 SIA ¹	hprrl0aaa0320031zt <header>[#0aaa 0320031z]	Only valid for SC5000, depending on the zone type
		Printer ²	dd/dd tt:tt Sxx aaa>BURGLARY: zone z	
39.	Zone Bypass	6500 SIA ¹	hprrl0aaa0320041zt <header>[#0aaa 0320041z]	Only valid for SC5000
		Printer ²	dd/dd tt:tt Sxx aaa BYPASS: zone z	
40.	Zone Unbypass	6500 SIA ¹	hprrl0aaa0320051zt <header>[#0aaa 0320051z]	Only valid for SC5000
		Printer ²	dd/dd tt:tt Sxx aaa unbypass: zone z	

1 - Refer to Table 114 Explanation of Automation Output Items (within Message Body only) on page 164.

2 - Refer to Table 115 Explanation of Printer Output Items on page 165.

Table 114: Explanation of Automation Output Items (within Message Body only)	
Character	Meaning
aaa	Radio account number (in hex), range: 001 to 9C4.
i	Input number, range: 1 to 8.
z	Zone number, range: 1 to 8.
u	User number, range: 1 to 8.
aaaa	Control panel account number.
e ee eee eeee	Event code.
eeeeeeee	Event codes for Zone 1 thru 8 (Ademco 4-9 High Speed only).
t	Type code.
z zz zzz zzzz zzzzzz	Zone (or contact) code.
gg	Group number.
ff	Function code.
aa	Area code.
q	Event qualifier (1: new event or opening, 3: restoral or closing, 6: previous message) (Ademco Contact ID only).
ccc	Hex contact or user code.

Table 115: Explanation of Printer Output Items	
Character	Meaning
dd/dd	Month and day (MM/DD).
tt:tt	Time of message receipt (HH:MM).
S	SafeCom
xx	Line card number, range: 01 to 08.
n	Radio channel number, range: 1 to 8.
aaa	Radio account number (in hex), range: 001 to 9C4.
>	If exists, the signal is in high priority.
e	Error code (for dialer error signals only), range: 0 to 6.
i	Input number, range: 1 to 8.
z	Zone number, range: 1 to 8.
u	User number, range: 1 to 8.
(aaaa)	Control panel account number.
e ee eee	Event code.
eeee eeee	Event codes for Zone 1 thru 8 (Ademco 4-9 High Speed only).
t	Type code.
z zz zzz	Zone (or contact) code.
gg	Group number.
f	Function code.
aa	Area code.
XXXXXXXX	Translation text embedded (only when valid digital XLAT is selected for the radio account).
TTTTTTTT	Event type can be NEW, RESTORE, or PRIOR (Ademco Contact ID only).
q	Event qualifier (1: new event or opening, 3: restoral or closing, 6: previous message) (Ademco Contact ID only).

Modem Ite Format

DD/MM HH:MM:SS NNN > (DDDD) AA EE ZZZ

Modem Ite messages are reported as AA EE ZZZ where AA is the area code, EE is the event code from *Table 116*, and ZZZ is the zone or user code. For example: 01 EF 009 = area 1, alarm zone 9.

Table 116: Supported Event Codes

Code	Meaning	Code	Meaning
FE	Listen in.	D4	Walk test point.
FD	Fail to call RAM.	D3	Extend close time by user ZZZ.
FC	Access granted.	D2	Cancel by user ZZZ.
FB	Duress user ZZZ.	D1	Status = open.
FA	User ZZZ alarm 7.	D0	Open by user ZZZ.
F9	User ZZZ alarm 9.	CF	Force close by user ZZZ.
F8	Point ZZZ bypass.	CE	Status = closed.
F7	Point ZZZ forced bypass.	CD	Close by user ZZZ.
F6	Status = alarm ZZZ.	CC	Test report.
F5	Status = trouble ZZZ.	CB	Log at threshold.
F4	Fire alarm ZZZ.	CA	Log overflow.
F3	Fire trouble ZZZ.	C9	Parameter change.
F2	Missing fire ZZZ.	C8	User code tamper by user ZZZ.
F1	Fire restore ZZZ.	C7	User code for user ZZZ added or changed.
F0	Fire trouble restore ZZZ.	C6	Sked ZZZ execute.
EF	Alarm ZZZ.	C5	Sked ZZZ changed.
EE	Trouble ZZZ.	C4	Date changed by user ZZZ.
ED	Restore ZZZ.	C3	Time changed by user ZZZ.
EC	Missing alarm ZZZ.	C2	User level set by user ZZZ.
EB	Missing trouble ZZZ.	C1	Valid programmer access by SDI device ZZZ.
EA	Point ZZZ open.	C0	Invalid programmer access by SDI device ZZZ.
E9	Point ZZZ close.	BF	Valid RAM access on phone ZZZ.
E8	Extra point ZZZ.	BE	Invalid RAM access on phone ZZZ.
E7	Point bus trouble.	BD	Comm fail phone ZZZ.
E6	All points tested.	BC	Comm restore phone ZZZ.
E5	Restoral from alarm.	BB	Phone line ZZZ fail.
E4	Fire cancel.	BA	Phone line ZZZ restore.
E3	User code added.	B9	SDI device ZZZ trouble.
E2	Service start.	B8	SDI device ZZZ restore.
E1	Service end.	B7	Panel AC fail.
E0	Sensor ZZZ reset.	B6	Panel AC restore.
DF	Relay ZZZ set.	B5	Panel battery missing.
DE	Relay ZZZ reset.	B4	Panel battery low.
DD	Panel was forced armed.	B3	Panel battery restore.
DC	Create status report.	B2	Panel watchdog activated.
DB	Fire walk start by user ZZZ.	B1	Supervision (non-fire) ZZZ.
DA	Fire walk end.	B0	Remote reset.
D9	Walk test start by user ZZZ.	AF	ROM checksum failure.
D8	Walk test end.	AE	Memory failure.
D7	Fail to open.	AD	Reboot
D6	Fail to close.	AC	Parameter checksum failure.
D5	Area watch by user ZZZ.	AB	Force perimeter instant by user ZZZ.

Table 116: Supported Event Codes

Code	Meaning	Code	Meaning
AA	Force perimeter delay by user ZZZ.	7B	RF receiver tamper restoral by SDI device ZZZ.
A9	Status = perimeter instant.	7A	Status fire alarm point ZZZ.
A8	Status = perimeter delayed.	79	Status fire trouble point ZZZ.
A7	Perimeter instant by user ZZZ.	78	RF interference restoral by SDI device ZZZ.
A6	Perimeter delayed by user ZZZ.	77	Status RF trans low battery point ZZZ.
A5	Passcode for user ZZZ deleted.	76	Status RF trans tamper alarm point ZZZ.
A4	Point bus restore.	75	Status RF trans tamper trouble point ZZZ.
A2	Transmitter point ZZZ battery low.	74	Sensor Trouble point ZZZ.
A1	Transmitter point ZZZ battery restore.	73	Sensor Trouble Restoral point ZZZ.
A0	Transmitter point ZZZ tamper restore.	72	Status fire missing point ZZZ.
9F	RF receiver trouble by SDI device ZZZ.	71	Status missing alarm point ZZZ.
9A	Extra RF point ZZZ.	70	Status missing trouble point ZZZ.
99	RF receiver restore by SDI device ZZZ.	6F	Status door forced point ZZZ.
98	RF interference by SDI device ZZZ.	6E	Door locked point ZZZ.
95	Transmitter point ZZZ tamper alarm.	6D	Missing fire supervision point ZZZ.
94	Transmitter point ZZZ tamper trouble.	6C	Missing supervision point ZZZ.
92	Equipment restoral by SDI device ZZZ.	6B	Status missing fire supervision point ZZZ.
91	Card assigned by user ZZZ.	6A	Status missing supervision point ZZZ.
90	Card deleted by user ZZZ.	69	Status door left open point ZZZ.
8F	Door cycled point ZZZ.	68	Failed to execute point ZZZ.
8E	Door unlocked point ZZZ.	5F	Analog service point ZZZ.
8D	Door locked point ZZZ.	5E	Analog restoral point ZZZ.
8C	No entry point ZZZ.	5D	Status analog service point ZZZ.
8B	Door left open point ZZZ.	5C	Test Failed path ZZZ.
8A	Door request point ZZZ.	5B	External device ZZZ.
89	Network failure path ZZZ.	5A	Custom Function ZZZ Executed.
88	Network restoral path ZZZ.	59	Low Temperature point ZZZ.
87	Network condition path ZZZ.	58	Low Temperature Restoral point ZZZ.
86	Equipment fail by SDI device ZZZ.	56	Unverified Event point ZZZ.
85	Status supervision point ZZZ.	55	Printer Status by SDI device ZZZ.
84	Fire Supervision Restoral point ZZZ.	54	Abort by user ZZZ.
83	Fire supervision point ZZZ.	53	Service Request.
82	Fire Supervision Trouble point ZZZ.	52	Output ZZZ State.
81	Fire Supervision Trouble Restoral point ZZZ.	51	Output ZZZ State Restoral.
7F	Status fire supervision point ZZZ.	50	Bypass Restoral point ZZZ.
7E	Extra account path ZZZ.	4F	Alarm Silenced point ZZZ.
7D	Low signal strength path ZZZ.	4E	Alarm-Panel Substitution path ZZZ.
7C	RF receiver tamper by SDI device ZZZ.		

Bosch Security Systems, Inc.
130 Perinton Parkway
Fairport, NY 14450-9199
Customer Service: (800) 289-0096
Technical Support: (888) 886-6189

© 2007 Bosch Security Systems, Inc.
4998122703-01



Recyclable



BOSCH

Free Manuals Download Website

<http://myh66.com>

<http://usermanuals.us>

<http://www.somanuals.com>

<http://www.4manuals.cc>

<http://www.manual-lib.com>

<http://www.404manual.com>

<http://www.luxmanual.com>

<http://aubethermostatmanual.com>

Golf course search by state

<http://golfingnear.com>

Email search by domain

<http://emailbydomain.com>

Auto manuals search

<http://auto.somanuals.com>

TV manuals search

<http://tv.somanuals.com>