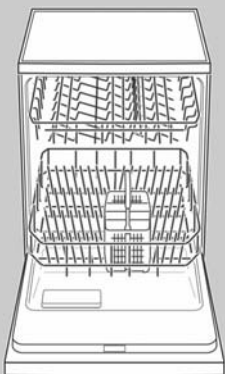




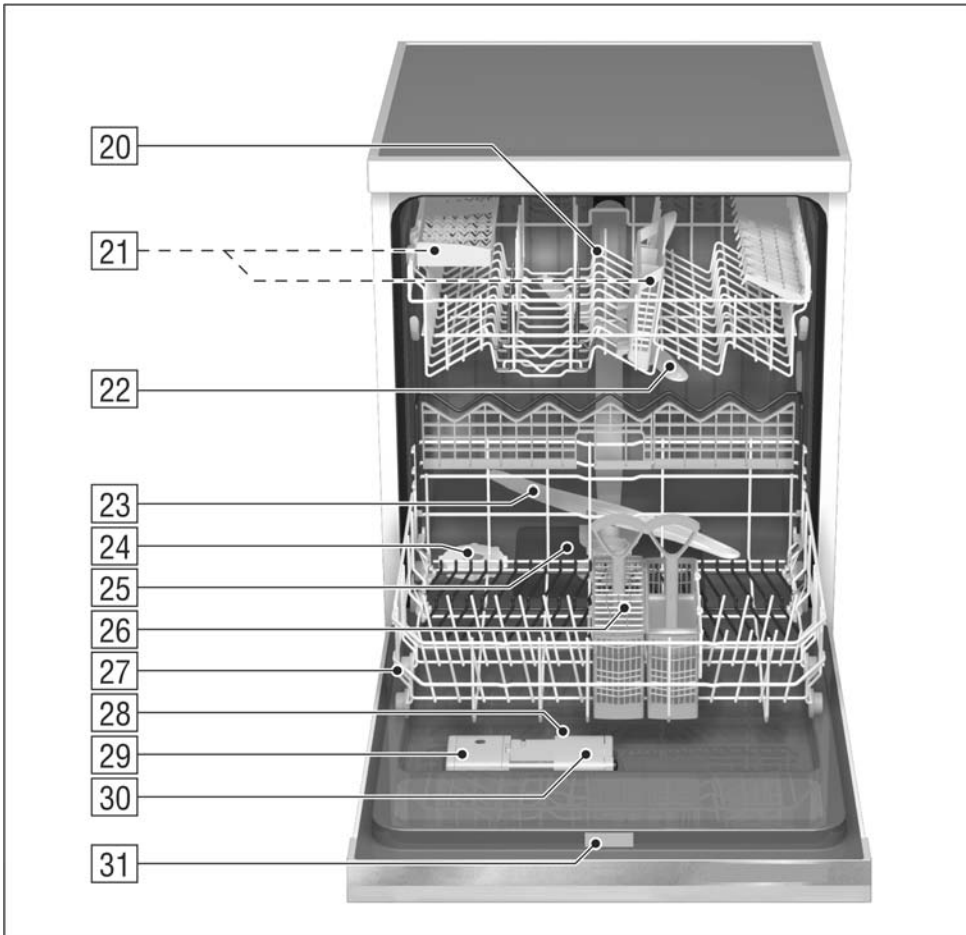
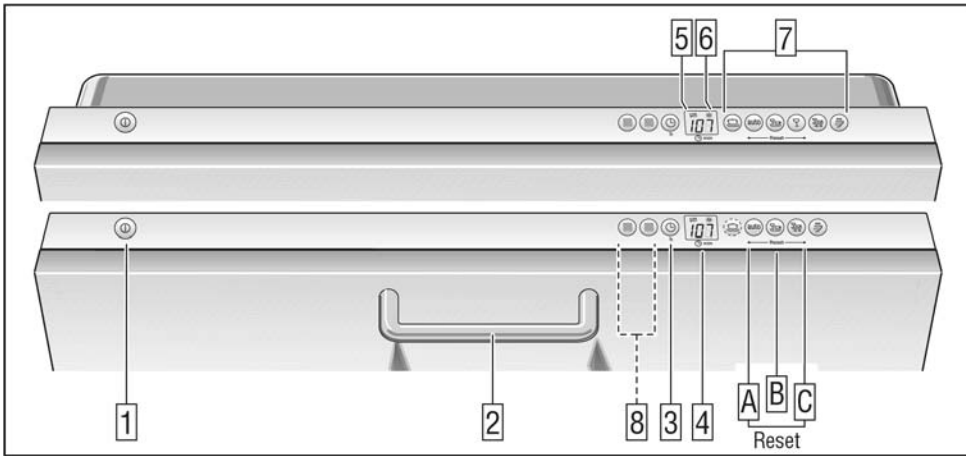
9000 035 918 (8406)



en Instructions for Use



Household Appliances



en Index

Safety instructions	4	Programme overview	17
Getting to know your appliance ..	6	Washing dishes	18
Water softener	6	Additional functions *	20
Filling the special salt container ..	7	Maintenance and care	21
Adding rinse aid	8	Fault finding	23
Unsuitable dishes	9	Customer Service	25
Arranging crockery, glasses, etc. in the dishwasher	10	Information	26
Detergents	13	Installation	26
auto 3in1	15	Waste disposal	28

Safety instructions

Delivery

- Immediately check the packaging and dishwasher for any damage which may have been caused in transit. Do not use a damaged appliance, but consult your supplier.
- Please dispose of packaging material properly:
 - The corrugated cardboard consists mainly of waste paper.
 - The polystyrene moulded parts have been foamed without any CFCs.
 - The polyethylene film (PE) consists partly of secondary raw material.
 - The wooden frames (if fitted) are made of residual wood and are untreated.
 - The hoops (if fitted) consist of polypropylene (PP).

Installation

- Install and connect the appliance according to the installation and assembly instructions.
- The dishwasher must NOT be connected to the power supply during installation.
- Ensure that the protective conductor system of the domestic electricity supply has been installed correctly.
- Electrical connection conditions must correspond with the specifications on the rating plate of the dishwasher.
- Built-under and built-in appliances should always be installed under a continuous work surface which is attached to the adjacent cupboards, in order to ensure that the appliance is entirely stable.
- After the appliance has been installed, the mains plug should still be easily accessible.
- Not on all models:
The plastic housing on the water input contains an electrically operated valve. The connecting wires are inside the inlet hose. Do not cut through this hose and do not immerse the plastic housing in water.



Warning

For safety reasons, if the appliance is not fitted in a recess, thereby making a side wall accessible, the door hinge area should be covered at the side.
(Risk of injury)

Covers are available as optional accessories from customer services or specialist stores.

In daily use



Warning

Knives and other utensils with sharp points must be placed in the baskets either flat or with the points downwards.

- Use the dishwasher only in the household and only for its designed purpose, i.e. for washing domestic dishes.
- Do not lean or sit on the open door. The appliance could tip.
- The water in the appliance is not drinking water.
- Do not add any solvents to the washing chamber. Danger of explosion!
- Open the door carefully when the programme is still running. Water could spray out of the appliance.
- To prevent injuries, e.g. caused by stumbling, open the dishwasher only briefly in order to load and unload the dishwasher.
- Read and observe the safety information and instructions for use on the packaging for cleaning and rinsing agents.

Children in the household

- Do not let infants play or operate the dishwasher.
- Keep cleaning and rinsing agents out of the reach of infants.
- Keep infants away from the open dishwasher. It could contain residue of the cleaning agent.

Child lock *

* on applicable models

Please refer to the drawings enclosed in the envelope

- 40 Engaging the child lock
- 41 Opening the door with the child lock engaged
- 42 Disengaging the child lock

If a fault occurs

- Repairs or other work on the dishwasher should only be carried out by a qualified specialist.
- The dishwasher must be disconnected from the electricity supply before any repairs or other work are started. Pull the mains plug out of the wall socket or switch off at the fuse box. Grasp the plug to remove it from the socket; do not tug on the cable. Turn the water off at the tap.

When disposing of old appliances

- Appliances that have reached the end of their service life should be rendered inoperable in order to exclude the possibility of subsequent accidents. Pull the mains plug out of the wall socket, cut through the connecting cable and disable the door lock.
- Take the appliance to a designated waste disposal centre.



Warning

Children could get locked in the appliance (risk of suffocation) or get stuck in other positions.

Therefore: Remove the mains plug, cut the mains wire and set aside. Damage the door lock so that the door can no longer be closed.

Getting to know your appliance

Diagrams of the control panel and the interior of the appliance can be found in the envelope at the front.

Individual positions are referred to in the text.

Control panel

- 1 Main switch
- 2 Door opener
- 3 Time delay
- 4 Digital display/
Programme progress indicator
- 5 Salt refill indicator
- 6 Rinse-aid refill indicator
- 7 Programme buttons
- 8 Additional functions *

* some models only

Always keep the fascia clean and free of grease. Clean with a dry or moist cloth only. Do **not** use abrasive or scouring detergents.

Appliance interior

- 20 Upper basket with 2-tiered cup rack
- 21 Additional cutlery basket for the top basket *
- 22 Upper spray arm
- 23 Lower spray arm
- 24 Container for special salt with level indicator *
- 25 Filters
- 26 Cutlery basket
- 27 Lower basket
- 28 Locking mechanism
- 29 Container for rinse-aid, with level indicator
- 30 Detergent compartment
- 31 Nameplate

* not on all models

You will need to purchase the following before using the dishwasher for the first time:

- special salt for use in dishwashers
- detergent
- rinse-aid

Only use products, which are suitable for dishwashers.

Water softener

In order to rinse dishes and glasses satisfactorily, the dishwasher requires soft water, i.e. containing little or no lime, otherwise water stains will be left behind on crockery and glasses, etc.

If the tap water exceeds a certain level of hardness, it must be softened, i.e. decalcified, so that it can be used in the dishwasher.

This is achieved by adding a special salt to the water softener inside the dishwasher.

The water softener, that is the required amount of salt, is set up according to how hard the tap water is.

Setting up the water softener

(see introduction)

Filling the special salt container

How the salt works

While washing is taking place, salt is automatically rinsed out of the salt container into the water softener where it dissolves the lime in the water.

The dissolved lime is pumped out of the dishwasher. The water softening system is then ready for the next load.

This process of regeneration can only function when the salt is dissolved in water.

Unscrew the lid on the salt container 24.

Before you use the dishwasher for the first time, pour approx. 1 litre of water into the salt container.

Use the enclosed salt filler.

Refill with salt (**do not use edible salt**) until the salt dispenser is full (max. 1.5 kg). When the salt dispenser is being refilled, water is displaced and drains away. Therefore always refill the salt dispenser immediately before switching on the dishwasher (to prevent corrosion). As a result, the overflowing salt solution will be immediately diluted and rinsed out. Then remove salt residue from the filler area and screw on the dispenser cover, ensuring that it is not fitted askew.



The LOW SALT indicator 5 on the front panel will light up initially but will extinguish again after a short period when the salt solution has become sufficiently concentrated.



Note

When the control is set to *H0*, it is not necessary to fill up with salt as none will be consumed while the dishwasher is operating. The LOW SALT indicator is switched off. If the control is set between *H1* and *H7*, then salt must be added to the dispenser.



Do not pour detergent into the container for special salt. This would destroy the water softener.

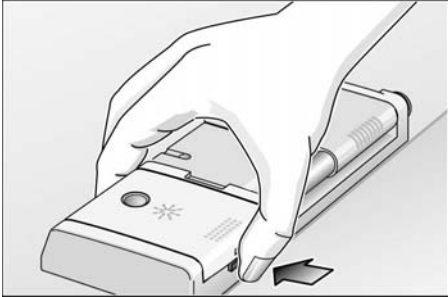
Salt refill indicator

As soon as the salt refill indicator 5 is lit on the control panel, refill with salt immediately before the next rinse cycle.

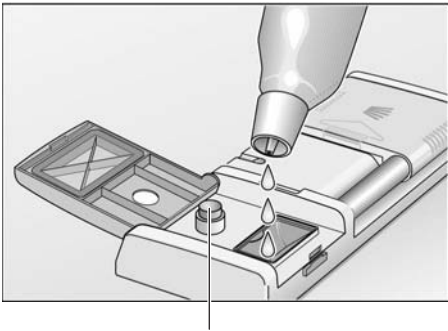
Adding rinse aid

Rinse aid is used in the rinsing cycle to ensure clear glasses and stain-free utensils.

- Open the lid of the rinse-aid dispenser [29] by pressing the button on the rinse-aid lid and lifting up the lid.



- Pour the rinse-aid into the filler hole until the level indicator turns dark.
- Close the lid, ensuring that you hear it snap closed.



rinse-aid control

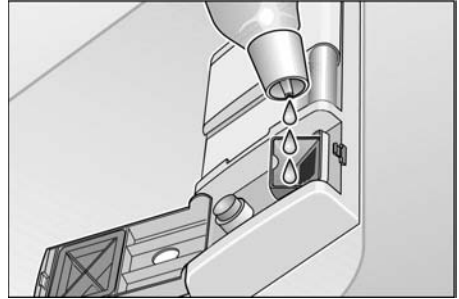


Note

Use only rinse aid for domestic dishwashers. Spilt rinse aid may result in excessive foam formation in the next rinse cycle. Therefore, remove any spilt rinse aid with a cloth.

Convenient rinse-aid filling procedure with half-open door

- Open the rinse-aid lid and pull out the hinged filling aid until it locks into position.



- Slowly fill with rinse aid but do not overfill.
- Close the rinse-aid lid until it clicks shut.

Set Amount of Rinse Aid

The amount of rinse aid is set at the factory to 4.

Only change this setting if streaks ▼ or water stains ▲ remain on the dishes.

- Hold the Programme button [3] and press the main switch [1].
- Release both buttons.
- In order to change the setting, press the Programme button [3]. Each time you press the button the value increases by one step; once a value of 5 is reached the indicator jumps back to 0 (Off: The rinse aid fill indicator [6] does not show a need to refill).
- Switch off the main switch [1]. The set value is stored within the device.



Note

Only switch off the rinse aid indicator if you are using cleaning products with integrated rinse aid!

Unsuitable dishes

You should not clean the following items in your dishwasher:

- Cutlery and dishes made of wood. They will leach out and become unsightly; the utilised adhesives are also not suitable for the dishwasher temperatures.
- Delicate décor glasses, craft dishes and vases, special antique or irreplaceable dishes. These décor items are not dishwasher-safe.

Plastic parts, copper and tin dishes sensitive to hot water are not suitable either. Overglazed patterns, aluminium and silver parts tend to become discoloured and fade during the rinsing cycle. Even some types of glass (e.g. crystal glass objects) may become cloudy after many rinse cycles. Completely absorbent materials, such as sponges and cloths must not be cleaned in the dishwasher either.

Recommendation:

In future buy only dishes which are identified as dishwasher-safe.



Note

Dishes which are soiled with ash, wax, lubricating grease or ink must not be cleaned in the dishwasher.

Damage to glassware and other dishes

Possible causes:

- type of glass or manufacturing process
- chemical composition of detergent
- water temperature and duration of dishwasher programme.

Suggested remedy:

- Use glassware or porcelain dishes that have been marked 'dishwasher-proof' by the manufacturer.
- Use a mild detergent that is described as 'kind to dishes'. If necessary, seek further information from detergent manufacturers.
- Select a programme with as low a temperature and as short a duration as possible.
- To prevent damage, take glass and cutlery out of the dishwasher as soon as possible after the programme has ended.

Arranging crockery, glasses, etc. in the dishwasher

Loading the dishwasher

Scrape off any large amounts of left-over food. It is not necessary to rinse the dishes under running water.

Place objects in the dishwasher in such a way that

- items such as cups, glasses, pots/pans, etc. are stood upside down,
- curved items, or those with recesses, should be at a slant so that water can run off,
- they are stacked securely and cannot tip over,
- they do not prevent the spray arms from rotating while washing takes place.

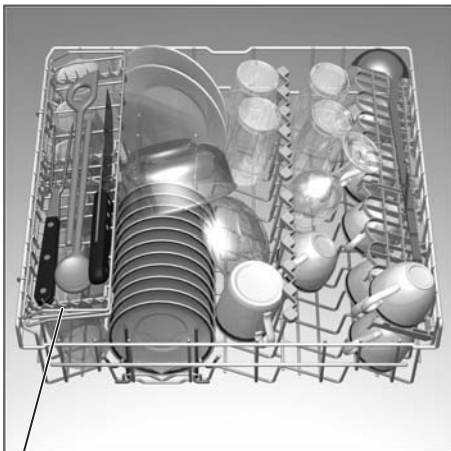
Very small items should not be washed in the dishwasher as they could easily fall out of the baskets.

Removing the dishes

To prevent water dripping from the top basket onto the dishes in the lower basket, we recommend that you empty the lower basket first and then the top basket.

Cups and glasses

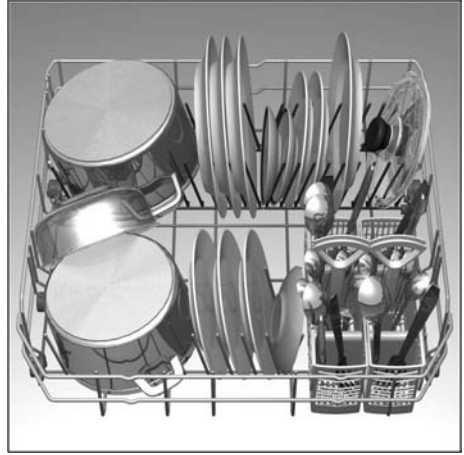
Upper basket 20



* on applicable models

Pots and pans

Lower basket 27



Cutlery

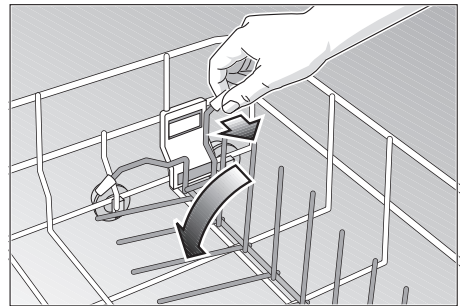
Cutlery should be placed in the dishwasher always unsorted and with the eating surface pointing downwards. The spray jet is then better able to reach the individual parts.

To prevent injuries, place long, pointed accessories and knives on the étagère (some models) or on the knife shelf (available as an accessory).

Folding spikes *

* on applicable models

To improve stacking of pots and pans, the spikes can be folded down.



Baking sheet spray head *

* some models

You can clean large baking sheets or grilles with the baking sheet spray head. To do this, remove the top basket and insert the spray head as illustrated in the diagram.



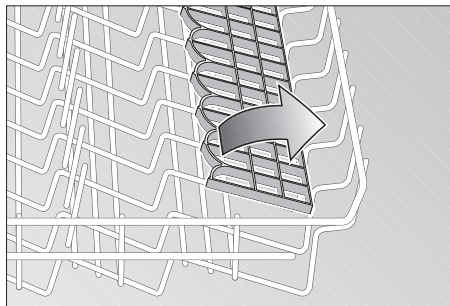
To ensure that the spray jet can reach all parts, arrange the baking sheets as illustrated (max. 4 baking sheets and 2 grilles).



Shelf *

* not on all models

Lean tall glasses and those with long stems against the shelf – not against other items to be washed.

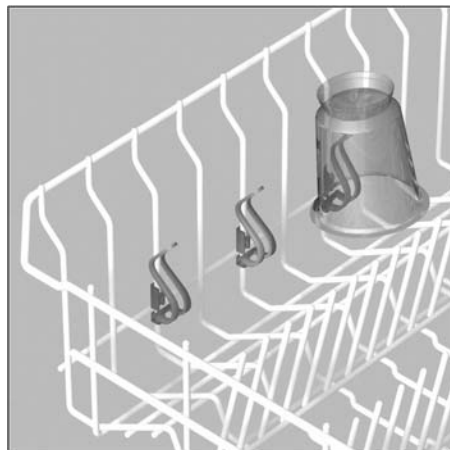


Long items, serving cutlery, salad servers or knives should be placed on the shelf so that they do not obstruct the rotation of the spray arms. The shelf can be folded back when not required for use.

Small accessories holder*

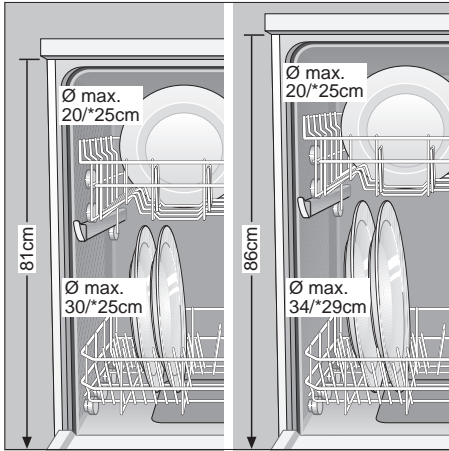
* some models

Light-weight plastic accessories, e.g. cups, lids, etc. can be held securely in the small accessories holder.



Adjusting position of basket *

* not on all models

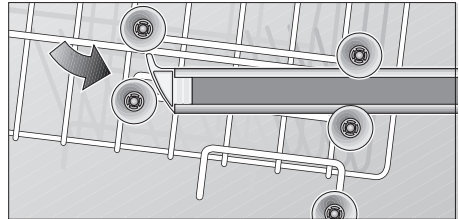
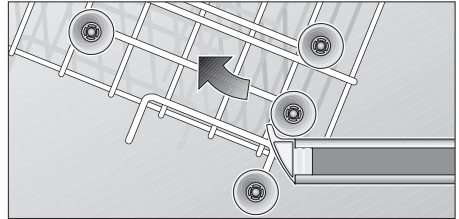


If required, the height of the top basket can be adjusted in order to create more space for large utensils either in the top or bottom basket.

Select one of the two following procedures according to the design of the top basket for your appliance model:

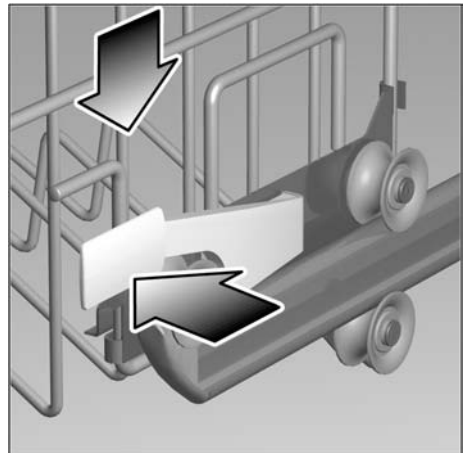
Top basket with upper and lower roller pairs

- Pull out the top basket.
- Remove the top basket and re-attach it to the upper or lower rollers.

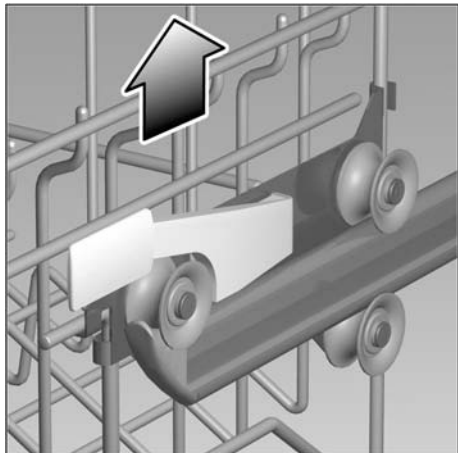


Top basket with side levers (Rackmatic)

- Pull out the top basket.



- To lower the basket, press in succession the two levers on the left and right sides of the basket. Always take hold of the side of the basket on the upper edge, otherwise the basket will not drop smoothly (and may damage the utensils).



- To raise the basket, take hold of the basket on the upper edge and pull upwards.
- Before you re-insert the basket, ensure that it is at the same height on both sides. Otherwise, the appliance door cannot be closed and the upper spray arm will not connect to the water circuit.

Detergents

Information about detergents

You can use any brand of liquid or powder detergent, as well as tablets, that have been specifically designed for use in domestic dishwashers. (Do not use normal washing-up liquid!)

Nowadays there are three types of dishwasher detergent available:

1. those containing phosphates and chlorine,
2. those containing phosphates but no chlorine,
3. those containing neither phosphates nor chlorine.

When a phosphate-free detergent is used in conjunction with hard water, there is a greater possibility that white marks will be left behind on crockery and glasses, etc. These can be avoided by pouring an increased amount of detergent into the dispenser.

Chlorine-free detergents have a reduced bleaching effect. This can mean that tea stains are not completely removed or plastic items become discoloured.

This can be resolved by:

- selecting a higher temperature programme, or
- increasing the amount of detergent, or
- using a detergent that contains chlorine.

Check the label on the detergent packaging to determine whether a particular product is suitable for use with silverware.


If you have any further questions, we recommend that you contact the customer advice departments of the various detergent manufacturers.

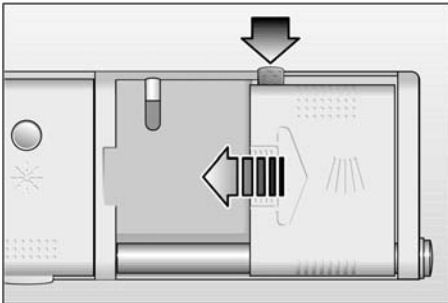
Detergent dispenser with dosing aid

The graduated detergent dispenser helps you add the correct amount of detergent. The lower and middle lines in the dispenser indicate 15 ml and 25 ml of detergent respectively. The dispenser can be filled with 40 ml of detergent when the door is opened horizontally.

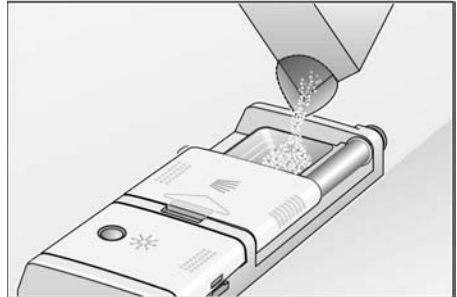
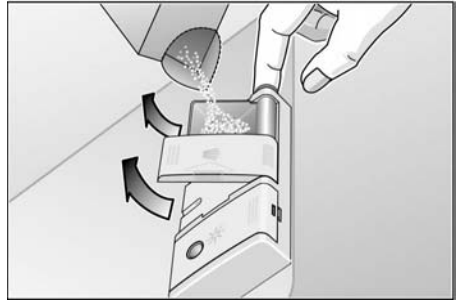
Filling with detergent

You can add detergent either when the appliance door is completely open or – for a more comfortable posture – when the door is half open.

- If the detergent dispenser is still closed, open it by pressing the catch .



- When the door is half open, press the button on the right side of the detergent dispenser. Swivel up the detergent compartment and cover. The detergent compartment can easily be locked into position by lifting it slightly.



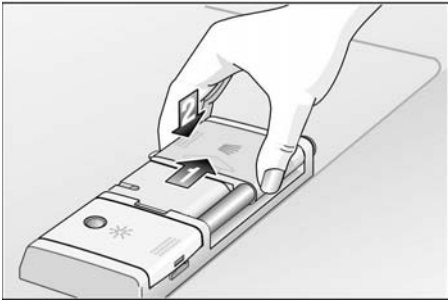
- Pour detergent into the dispenser.
- Please follow the manufacturer's instructions on the detergent packet for correct dosage.
- Due to the different solvency properties of the detergent tablets supplied by various manufacturers, the cleaning efficiency of the detergent may not be fully utilised by short programmes. It is recommended to use washing powder for these programmes.
When you select the INTENSIVE programme, tip an extra 10–15 ml of detergent onto the inside surface of the door.



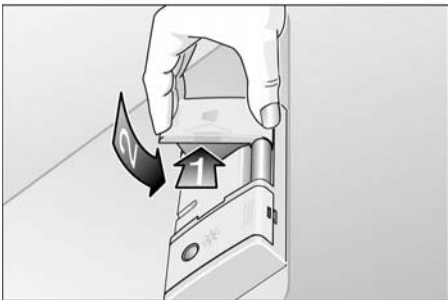
Reduce costs!

If your dishes are only moderately dirty, you may be able to use less detergent than recommended.

- If using washing tablets, please refer to the washing tablets box where to place the tablets in the appliance (e.g. in the cutlery basket, detergent dispenser).
- Close the detergent dispenser. Slide the dispenser cover completely over the detergent compartment (1) and then press down firmly (2) until the catch "clicks" into position.



- Close the detergent dispenser when the door is completely open.



- Close the detergent dispenser when the door is half open.
- During the washing cycle the cover of the detergent dispenser is automatically opened and the detergent is washed out. The cover is therefore open when the programme ends.

auto 3in1

The use of so-called combined detergent products may make the use of rinse aid and/or salt unnecessary.

There are currently several types of combined detergent products available.

- **3in1**: They contain detergent, rinse aid **and** salt function.
- **2in1**: They contain detergent and rinse aid **or** salt function.

>>> Always check the type of detergent or combined product which you are using!

Always follow the operating instructions or the information on the packaging.

The rinse programme is automatically adjusted in order to obtain the best possible rinsing and drying result.

Observe the following important information if using combined cleaning products:

- Regeneration salt is not required up to a water hardness of 21° dH (37° fH, 26° Clarke, 3.7 mmol/l) only. No other settings on the appliance are required.
- Salt is still required if the water hardness is **above** 21° dH (37° fH, 26° Clarke, 3.7 mmol/l). Fill the salt dispenser with salt [24] and select setting 6 on the water softening system.

If in doubt, please contact the detergent manufacturer, especially if:

- the utensils are very wet at the end of the programme.
- limescale forms.

**Note**

Optimum rinsing and drying results can be obtained by using standard detergents in conjunction with separate application of salt and rinse aid.

Observance of the operating instructions or information on the packaging of the combined detergents determines their effectiveness.

**Note**

Even if the rinse aid and/or salt refill indicator is lit, the rinse programme runs correctly when 3in1 products are used.

If the rinse aid refill indicator 6 or salt refill 5 indicator is defective and you would like to switch it off, proceed as follows:

Switching the rinse aid refill indicator off and on

- Hold down the programme button 3 and press the main switch 1 until the digital display lights up, then release the buttons. 4 is indicated on the digital display 4.
- Each time the button 3 is pressed, the set value increases by one; when the value 5 is reached, the display jumps back to 0. To switch off, select the 0 position.
- Switch off the main switch 1; the setting is saved.

Switching the salt refill indicator / water softening system off and on

- Hold down the programme button B and switch on the main switch 1, then release the buttons. The illuminated button B and the factory-set value H4 on the digital display flash.

To change the setting: press the programme button B.

Each time the button is pressed, the set value increases by one; when the value H7 is reached, the display jumps back to H0 (the salt refill indicator / water softening system has been switched off).

- Switch off the main switch 1. The set value is stored within the device.

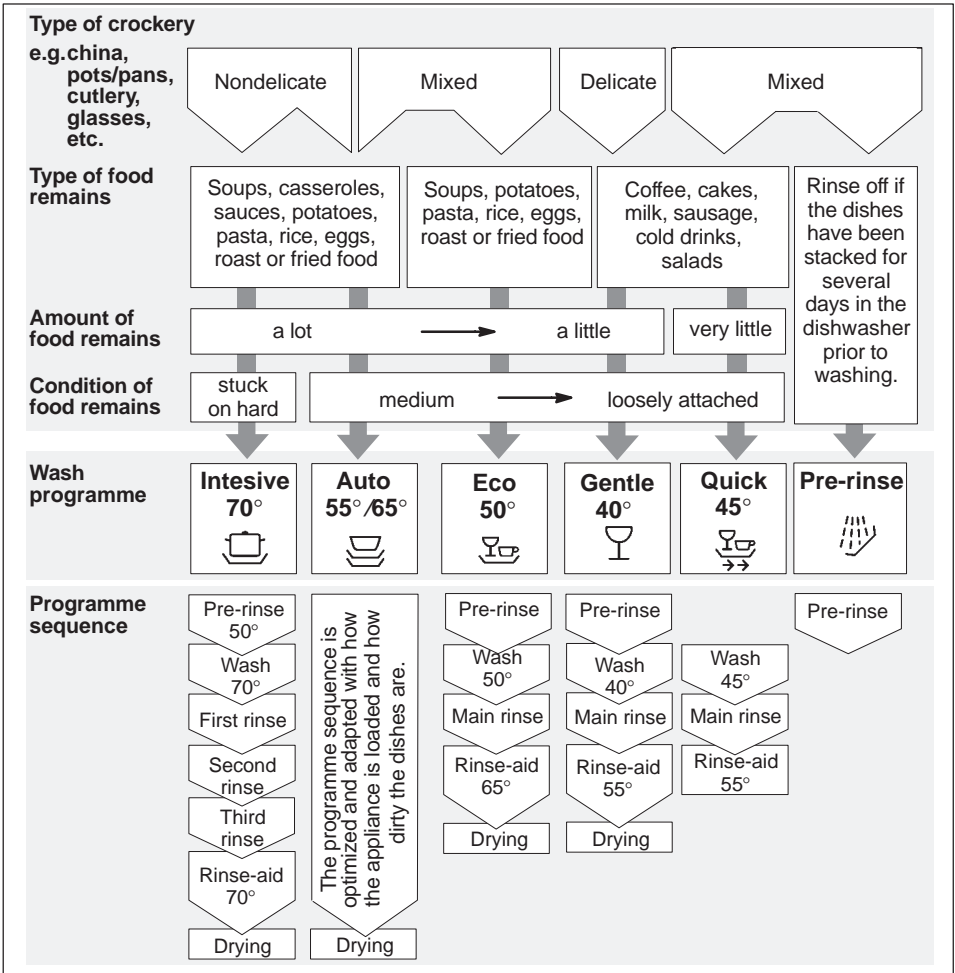
Approx. 4 litres of water are required to regenerate the water softening system. As a result, the water consumption per rinse cycle increases by 0 to maximum 4 litres depending on the water hardness setting.

**Note**

If you use the detergent and rinse aid separately or switch from combined detergents to standard cleaning products, ensure that the rinse aid refill indicator has been switched on and the water softening system has been set to the correct water hardness.

Programme overview

This overview lists the max. possible number of programmes. The programmes supplied with your appliance are indicated on the fascia.



Programme selection

The most appropriate programme can be identified by comparing the type of crockery, cutlery, etc., as well as the amount and condition of food remains, with the details contained in the programme overview.

You will find the appropriate programme information in the introduction.

Washing dishes



Reduce costs!

If only a small number of dishes have been loaded into the dishwasher, selecting a programme that operates at the next lowest temperature will usually suffice.

Programme data

The stated programme data are based on standard operating conditions. The values can vary considerably according to:

- different amounts of dishes
- temperature of mains water supply
- pressure of mains water supply
- ambient temperature
- fluctuations in mains voltage
- machine-related factors (e.g. temperature, water volume, ...).

Energy and water consumption is reduced by up to 1/4 when dishes are washed in the upper basket only.

Water consumption values are based on a water hardness setting of 4.

Aqua sensor *

* on applicable models

The Aqua sensor is an optical measuring device which measures the turbidity of the rinsing water. A light barrier can detect dissolved food remnants in the water, e.g. egg, fat and oats.

The Aqua sensor is used according to the programme. When the Aqua sensor is active, "clean" rinsing water may be transferred into the next rinsing bath and/or the temperature adjusted. If the turbidity is greater, the water is drained and is replaced with fresh water. In this way the water consumption is reduced by approx. 4 litres for utensils which are "less" dirty.

Switching the dishwasher ON

- Turn on the tap.
- Set main switch 1 to ON.
Indicators light up according to the last programme that was selected.
This same programme will run again if no other programme button 7 is pressed
- The numerical display 4 shows the expected duration of the programme.
- Close door.
The programme starts automatically.

Optical indicator during operation *

* With some models

During the rinse programme a light point appears on the floor below the device's door. Only open the dishwasher door when the light point has disappeared.

In the case of built-in dishwashers with flush front the light point will not be visible.

End of programme

The end of the programme is indicated by a buzzer. This function can be changed as follows:–

- Hold down Function button C pressed and switch on main switch 1, then let the buttons go.

Function Button C flashes, and the digital display indicates the value 2 which was set at the factory (semi-loud).

To change the setting:
Press Function button C.

Each depression of the button increases the set value by one, when 3 is reached, the display jumps back to 0 (off).

- Switch off the main switch 1.
The set value is stored in the appliance.

Switching the dishwasher OFF

Several minutes after the programme has ended:

- Open the door when the programme has ended.
- Set main switch **1** to OFF.
- Turn the water tap off.
(Does not apply when Aqua-Stop unit has been fitted)
- Remove dishes, etc. when they have cooled down.

Interrupting the programme

- Open the door. Caution! There is a risk of water squirting out from inside the appliance. Do not open the door fully until the spray arm has stopped rotating.
- Set main switch **1** to OFF.
- Indicator lights extinguish. The programme is retained in the dishwasher memory.
- If the hot water was switched ON or the appliance has already heated up and then the appliance door opened, leave the door ajar for several minutes and then close.
Otherwise, the appliance door may fly open due to expansion.
- In order to continue with the stored programme, set the main switch to ON again and close the door.

Time delay *

* on applicable models

You can delay the start of the programme in 1-hour steps up to 19 hours.

- Switch on the appliance.
- Press the timer programming button **3** until the digital display **4** jumps to **1h**.
- Keep pressing the timer programming button until the required time is displayed.
- To delete the timer programming, keep pressing the button until **0h** is displayed.
You can change your programme selection at any time until the programme starts.

Remaining running time display

When the appliance has started, the expected programme running time is displayed. The programmed running time is affected by the water temperature, the number of dishes, as well as the degree of soiling. If these conditions are changed, the running time (depending on the selected programme) can vary greatly. As the effect is not detected until a programme is running, the time may be longer or shorter than expected.

Intensive drying

If the "Intensive drying" function is activated, the temperature of the final rinse is increased in all programmes and you will therefore receive an improved drying result. (Note the higher temperature may not be suitable for fragile utensils.)

- Hold down the programme button **A** and switch on the main switch.
- Release both buttons.
The digital display **4** flashes **I** (on) or **0** (off).
- To change the setting, press the programme button **A**.
- Switch off the main switch **1**; the setting is stored.

Cancel programme (Reset)

- Only when the master switch is ON. Press the **A** and **C** buttons simultaneously, and hold them pressed for approx. 3 seconds. The numerical display shows **0**.
- Close the door.
- The programme continues for approx. 1 min.
- When it has ended, set the main switch **1** to OFF.
- Close the detergent compartment **30**.

To restart the dishwasher, set main switch **1** to ON again and select desired programme.

Changing the programme

It is possible to change the programme within 2 minutes after you have switched the dishwasher on.

Should it be necessary to change the programme after this period, the programme cycle that has already been begun (e.g. washing) will be completed first of all.

The new remaining time displayed is the sum of the remaining time from the preceding programme cycle and the remaining time attributable to the new programme that has been selected.

Additional functions *

* on applicable models

Pre-Soak *

The Pre-Soak programme option serves to perform a pre-soak cycle before the main programme. This cycle enables cookware, e.g. pans, bowls, etc. to be pre-soaked and pre-rinsed in the lower rack. If you wish to pre-soak the dishes, this programme option must be selected by pressing the “Pre-Soak” button before the programme starts. The recommended detergent amount is approx. 5 g poured onto the inside of the door.

Time reduction/ time saving *

Pressing the “Time reduction/time saving” button provides a short wash cycle by curtailing the drying phase and the washing time. The washing and drying performance will be reduced with the Time reduction/time saving programme option.

Washing contents of UPPER RACK only *

If you have a small number of dishes to wash in the upper rack (e.g. glasses, cups, plates), switch on the UPPER RACK function. If you select the UPPER RACK function, the lower rack must be empty. Add a reduced amount of detergent compared to that which is recommended for a full load.

Washing contents of LOWER RACK only *

If you have a small number of dishes to wash in the lower rack (e.g. plates, pans, bowls), switch on the LOWER RACK function. If you select the LOWER RACK function, the upper rack must be empty. Add a reduced amount of detergent compared to that which is recommended for a full load.

Maintenance and care

You can help prevent faults by checking and maintaining your appliance regularly. This will save time and reduce problems. Therefore you should occasionally examine the inside of your dishwasher.

Overall condition of the appliance

Check the rinsing compartment for grease and limescale deposits.

If you find any deposits:

- Fill the detergent dispenser with detergent. Start the empty appliance with the programme which has the highest rinsing temperature.

Clean the door seal:

- Wipe the door seal regularly with a damp cloth and remove any deposits.

Special dishwasher salt

Check the LOW SALT indicator 5. Top up with salt, if required.

Rinse-aid

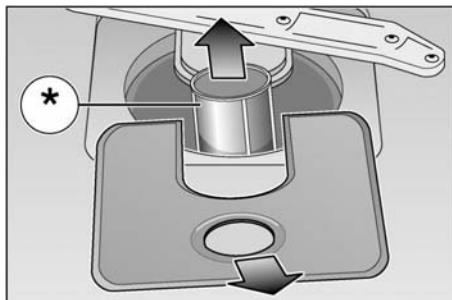
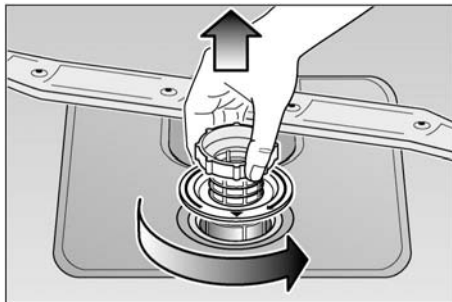
Check the LOW RINSE-AID indicator 6 on the front panel or the level indicator on the rinse-aid container 29. Top up with rinse-aid, if required.

Filters

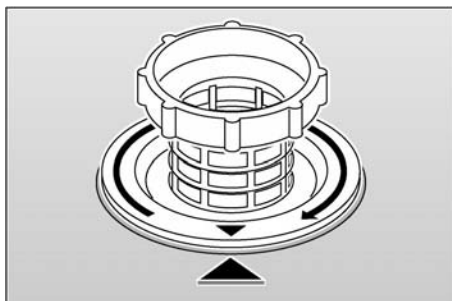
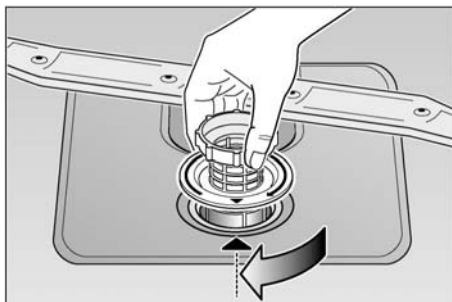
The filters 25 prevent larger remnants of food or other objects from getting inside the pump. This residue can occasionally clog up the filters.

The filter system consists of a filter cylinder, a flat fine filter and, depending on the model, a microfilter (*).

- Inspect the filters for obstructions every time the dishwasher has been used.
- By unscrewing the filter cylinder, you can remove the filter system. Remove any food remnants and clean the filters under running water.



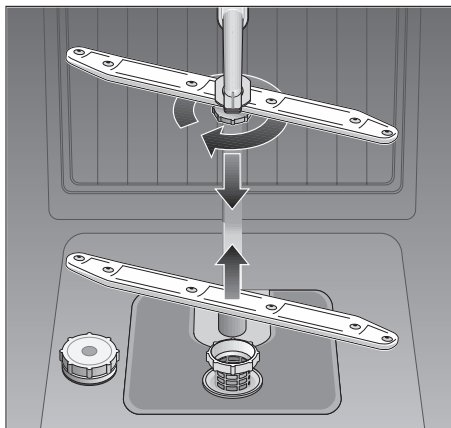
- Reassembly: Insert the filter system and screw down with the filter cylinder.



Spray arms

Lime and remnants of food in the washing water can block the nozzles in the spray arms [22] and [23] and the arm mountings .

- Inspect the nozzles in the spray arms for blocked holes due to remnants of food.
- If necessary, pull the lower arm [23] upwards and lift it off.
- Unscrew the upper spray arm [22] .
- Clean both spray arms under running water.
- Refit the spray arms. Ensure that the lower arm has locked into place and the upper one is screwed tight.



Spray arms

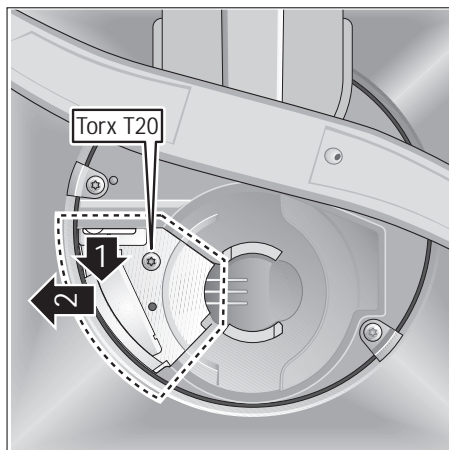
Pump *

* on applicable models

Larger remnants of food that have not been trapped by the filters and have been left in the water can cause a blockage in the pump. The water is no longer pumped out of the dishwasher and it can be seen covering the filter.

Proceed as follows:

- Ladle out as much water as possible.
- Remove the filters [25] .
- Undo the screw in the cover (Torx T 20) and remove the cover.
- Inspect the inside and remove any obstructions that you find.
- Re-insert the cover and screw down.
- Re-insert the filters and screw down.



Fault finding

Resolving minor problems yourself

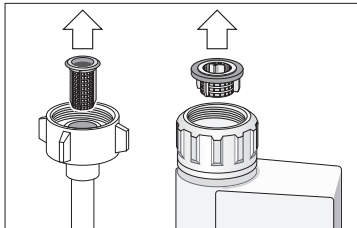
Experience has shown that you can resolve most problems that arise during normal daily usage yourself, without having to call out a service engineer. Not only does this save costs, but it also means that the appliance is available for use again that much sooner. The following list of common occurrences and their remedies should help you identify the causes of most problems.

Problems ...

... when the appliance is switched on

- **The appliance does not start.**
 - The mains fuse has tripped.
 - The appliance plug has not been inserted.
 - The appliance door has not been shut properly.
 - The tap has not been turned on.
 - The filter on the water supply hose is blocked.

Switch off the appliance and pull out the mains plug. Turn off the tap. Then clean the filter which is situated at the connection of the supply hose. Finally, restore the power, turn on the tap and switch on the appliance.



Warning

Remember:

The appliance may be repaired by a technician only. Improper repairs may cause considerable damage and/or injure the user.

... with the appliance itself

- **Lower spray arm rotates with difficulty**
 - Spray arm is blocked by small items or food remains.
- **Lid in detergent compartment cannot be closed**
 - Detergent compartment has been overfilled.
 - Mechanism is clogged with remnants of detergent. Indicator lamps do not extinguish after washing has finished.
- **Indicator lamps do not extinguish after washing has finished**
 - Main switch is still set to ON.
- **Remnants of detergent stuck inside dispenser**
 - Compartment was damp when it was filled up with detergent. Compartment must be dry before detergent is added.
- **Refill display does not light up.**
 - Rinse aid refill indicator switched off. (see auto 3in1 chapter)
 - Salt refill indicator switched off. (see auto 3in1 chapter)

- **Water remains inside appliance after programme has ended**
 - Blockage or kink in drainage hose.
 - Pump is jammed.
 - Filters are blocked.
 - The programme is still running. Wait for the programme to end (numerical display will indicate 0).
 - Perform “Reset” function.

... during washing

- **Unusual amount of foam is created**
 - Normal washing up liquid has been poured into the rinse-aid container.
 - Remove any spilled rinse aid with a cloth as it could otherwise lead to excessive foaming during the next washing cycle.
- **Appliance stops suddenly while washing is taking place**
 - Cut in electricity supply to appliance.
 - Water supply has been interrupted.
- **Knocking sound can be heard while washing is taking place**
 - A spray arm is knocking against the dishes inside the appliance.
- **Rattling sound can be heard while washing is taking place**
 - Crockery has not been stacked properly inside the appliance.
- **Knocking sound coming from inlet valves**
 - This is caused by the way the water pipes have been laid and it has no effect upon the way the appliance functions. There is no remedy for this.

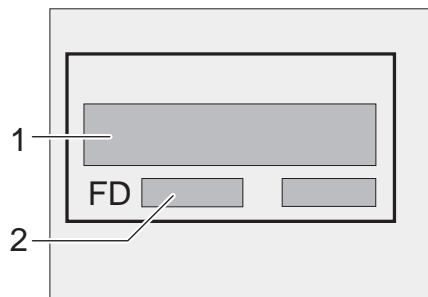
... with the dishes, cutlery, etc.

- **Remnants of food are stuck to the dishes, cutlery, etc.**
 - Dishwasher was not loaded properly. Jets of water could not reach all parts of the dishes, etc.
 - Too many items in the rack.
 - Items in the rack were touching each other.
 - Not enough detergent was added to dispenser.
 - Selected wash programme was not intensive enough.
 - Rotation of spray arm was obstructed by dish, etc.
 - Nozzles in spray arm are blocked by remnants of food.
 - Filters are blocked.
 - Filters have been incorrectly fitted.
 - Waste-water pump is jammed.
- **Plastic items are discoloured**
 - Not enough detergent was added to dispenser.
- **White stains are left on crockery, glasses have a milky appearance**
 - Not enough detergent was added to input compartment.
 - Amount of rinse-aid was set too low.
 - Although water is quite hard, no salt has been put in appliance.
 - Water softener was set too low.
 - Lid on salt container is not screwed tight.
 - If you used a phosphate-free detergent, try a detergent containing phosphates and compare results.

- **Dishes, cutlery, etc. have not been dried**
 - Selected programme did not include drying function.
 - Amount of rinse-aid was set too low.
 - Items were removed from dishwasher too soon.
- **Glasses have a dull appearance**
 - Amount of rinse-aid was set too low.
- **Tea stains or traces of lipstick have not been completely removed**
 - Detergent does not have a sufficient bleaching effect.
 - Washing temperature was set too low.
- **Traces of rust on cutlery**
 - Cutlery is not sufficiently rustproof.
 - Salt content in washing water is too high.
 - Lid on salt container is not screwed tight.
 - Too much salt was spilt while filling container.
- **Glasses become clouded and discoloured; coating cannot be wiped off**
 - Unsuitable detergent was used.
 - Glasses are not dishwasher-proof.
- **Smears left behind on glasses and cutlery; glasses have acquired a metallic appearance**
 - Amount of rinse-aid set too high.

Customer Service

Please call your local service agent, if you are not able to resolve any problem yourself. The name of your nearest service agent is shown in the Customer Service address list. When you call, please provide details of the model number (1) and the production (FD) number (2) which are shown on the nameplate on the appliance door.



Warning

Please note that a visit by the customer service technician in the event of a fault or one of the problems previously discussed is not free of charge even during the warranty period.

Information

Notes on comparison tests

You will find details of the conditions for the comparison tests on the additional "Notes on comparison tests" sheet. The consumption values for the relevant programmes are given in the introduction.

General

- Built-under and integrated appliances which are subsequently installed as free-standing appliances must be secured to prevent them from falling over, e.g. by screwing them to the wall or by installing them under a continuous worktop which is screwed to the adjoining units.
- For Swiss version only:
The appliance can be installed without difficulty between wooden and plastic walls in a kitchen range. If the appliance is not connected via a plug, the installation side must feature an all-pole disconnecter with a contact gap of at least 3 mm in order to satisfy the relevant safety regulations.

Installation

The dishwasher must be connected by a qualified technician to ensure correct operation. The specifications for supply, drainage and connected load must fulfil the required criteria as stated in the following paragraphs or in the installation instructions.

Install the appliance in the following sequence:

- Check the delivery
- Install the appliance
- Connect the waste water
- Connect the fresh water
- Connect the power supply

Delivery

Your dishwasher was checked at the factory to ensure that it was in perfect working order. This may have left some small water stains in the dishwasher. These will disappear after the first rinse cycle.

Installation

The required installation dimensions can be found in the installation instructions. Using the height-adjustable feet, adjust the appliance until it is level. Ensure that the appliance is standing firmly.

Waste water connection

See the installation instructions for the required connection steps. If required, attach a siphon with drainage spigot. Using the enclosed parts, connect the waste water hose to the drainage spigot of the siphon.

Ensure that the drainage hose is not kinked, crushed or twisted (ensure that there is no sealing cover which prevents the waste water from flowing away!).

Fresh water connection

Using the enclosed parts, connect the fresh water connection to the tap according to the installation instructions. Ensure that the fresh water connection is not kinked, crushed or twisted.

When replacing the appliance, always connect a new water supply hose to the water supply. The old supply hose must not be re-used.

Water pressure:

Minimum 0,05 MPa (0,5 bar) – maximum 1 MPa (10 bar).

If the water pressure is higher, install a pressure reducing valve.

Flow rate:

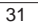
Minimum of 10 litres per minute.

Water temperature:

We recommend that you use cold water. If you do use hot water, the temperature should not exceed 60 °C.


Electrical connection

Connect the appliance only to 230 V alternating current via a correctly installed socket with protective conductor.

See rating plate for required fusing .

The socket must be attached near the dishwasher and be freely accessible.

The connection may be modified by an electrician only.

Use only a residual-current-operated circuit-breaker which features the  symbol. Only this circuit breaker guarantees compliance with the currently valid regulations.

Removing the appliance

It is essential, when removing the appliance, to observe the following sequence: First, disconnect the appliance from the power supply.

Pull out the mains plug.

Turn off the water supply.





Disconnect the waste water and fresh water connections.

Loosen the fastening screws under the worktop. If fitted, remove the base panel.

Pull out the appliance, carefully pulling the hose behind.

Transporting the dishwasher

Drain water from the dishwasher. Secure all loose parts. The appliance should only be transported in an upright position.

- If the appliance is not kept upright during transport, any water left inside may seep into the control module and cause subsequent errors with programme functions.
- The appliance must be drained in the following sequence:
 - Turn on the tap.
 - Set main switch to ON.
 - Select the  programme. The programme duration in minutes is shown in the numerical display.
 - Close the door.
 - Wait for approximately 4 minutes.
 - Terminate the programme by pressing  and  simultaneously.
 - The time display changes to .
 - Wait a further minute and then switch the appliance off.
 - Turn off the tap.

Protection from freezing temperatures

If the appliance is installed in a location where there is a risk of freezing temperatures (e.g. in a holiday home), all water must be completely drained out of the interior (see “Transporting the dishwasher”).

Turn OFF the tap, disconnect the supply hose and allow to drain.

Waste disposal

Disposal

Old appliances are not worthless rubbish. Valuable raw materials can be reclaimed by recycling old appliances.

Pull out the mains plug of the redundant appliance. Cut off the power cord and discard with mains plug.

To prevent children from locking themselves in the appliance and suffocating, destroy the door lock and childproof lock (if fitted).

You received your new appliance in a protective shipping carton. All packaging materials are environmentally friendly and recyclable.

Please contribute to a better environment by disposing of packaging materials in an environmentally-friendly manner. All plastic parts of the appliance are identified by internationally standardised symbols (e.g. >PS< polystyrene).

When the appliance is being disposed of, the plastic waste can be sorted for environmentally-friendly recycling.

Please ask your dealer or inquire at your local authority about current means of disposal.

Keep children away from shipping carton and packaging components. Danger of suffocation from folding cartons and plastic film.

Disposal of the packaging

- Please dispose of the packaging material in an environmentally friendly manner.
- Corrugated cardboard consists mainly of wastepaper.
- The moulded polystyrene parts do not contain any chlorofluorohydrocarbons.
- The polyethylene film (PE) consists partly of secondary raw materials.
- The wooden frames (if fitted) are made of untreated residual wood.
- The hoops (if fitted) consist of polypropylene (PP).

Disposal of redundant appliances

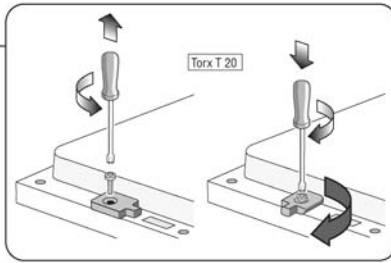
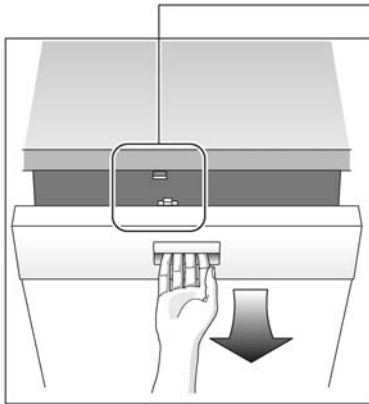


Warning

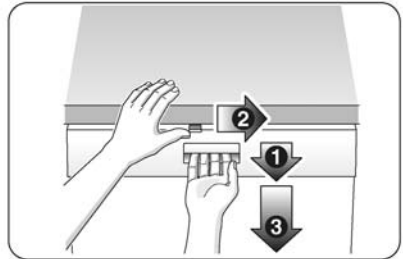
Children could become locked in the appliance (risk of suffocation) or find themselves in other dangerous situations. Therefore: Pull out the mains plug, sever and dispose of the power cord. Destroy the door lock so that the door can no longer be closed.

- Make redundant appliances unusable to prevent subsequent accidents.
- Dispose of the appliance in an environmentally friendly manner.

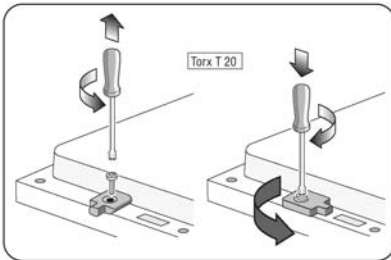
en Subjekt to modification



40



41



42

AQUA-STOP Warranty.

(not applicable to appliances without Aqua-Stop)

In addition to warranty claims against the seller based on the sales agreement and in addition to our appliance warranty we shall replace the appliance under the following conditions:

1. If damage is caused by water due to a malfunction of our Aqua-Stop system, we shall make good the damage in the case of private consumers.
2. This liability warranty is valid for the service life of the appliance.
3. The warranty claim is subject to correct installation and connection of the appliance in accordance with our instructions. "This also includes correct installation of the Aqua-Stop extension (original accessory)." Our warranty does not cover defective supply lines or fittings up to the Aqua-Stop connection on the tap.
4. In principle, it is not necessary to monitor an appliance fitted with Aqua-Stop during operation or to secure it afterwards by turning off the tap. You should only turn off the tap if you are absent from home for a prolonged period, e.g. on holiday for several weeks.

Robert Bosch Hausgeräte GmbH
Carl-Wery-Straße 34
81739 München

To contact us directly, use the tel. no or fax no. in the enclosed customer service list.

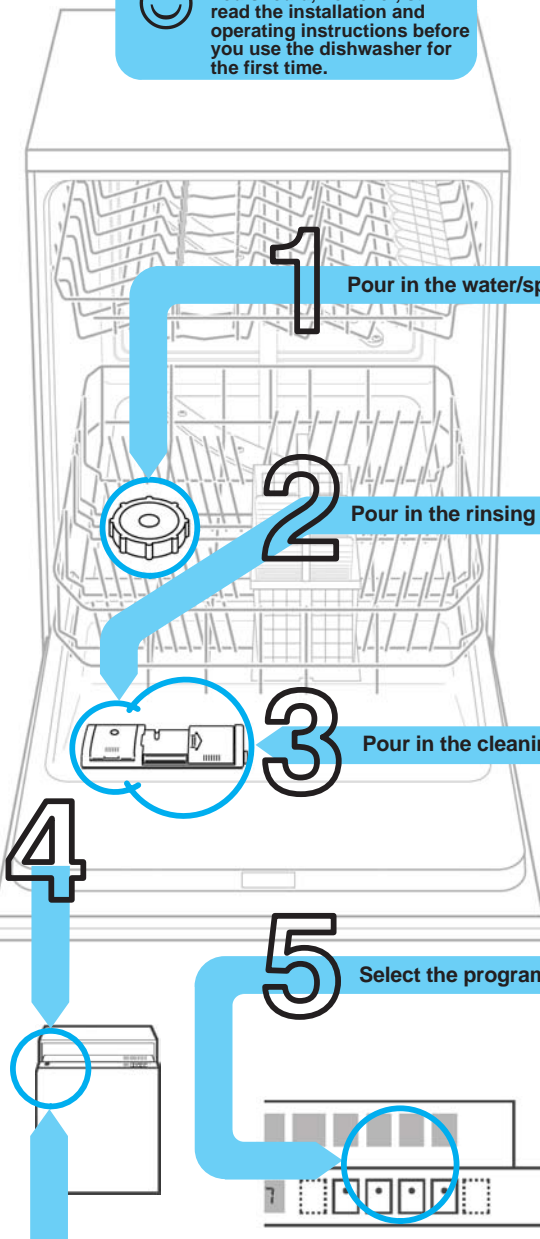
Bosch Info-Team:
DE Tel. 0180 / 5 30 40 50 (EUR 0,12/Min. DTAG)
AT Tel. 0660 / 59 95

Internet:
<http://www.bosch-hausgeraete.de>

9000 035 918 en (8406)
636V+



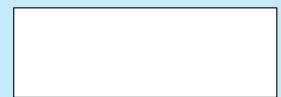
Quick and easy: everything you need to know about your dishwasher... You should, however, still read the installation and operating instructions before you use the dishwasher for the first time.



Inserting the water softening system *

Enter the hardness value ...

ask your water supplier



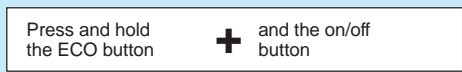
* only necessary before the first rinse or if the water hardness has changed

Read off the setpoint value ...

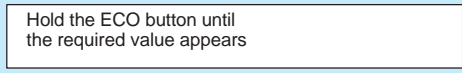
*dH	**fH	*Clarke	mmol/l	Display
0-3	0-6	0-4	0-0,6	H0
4-6	7-11	5-8	0,7-1,1	H1
7-9	12-16	9-11	1,2-1,6	H2
10-12	17-21	12-15	1,7-2,1	H3
13-16	22-29	16-20	2,2-2,9	H4
17-21	30-37	21-26	3,0-3,7	H5
22-30	38-54	27-38	3,8-5,4	H6
31-50	55-89	39-62	5,5-8,9	H7

Quick procedure ...

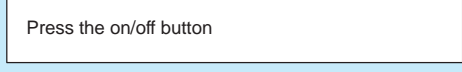
and enter it as shown below ...



The ECO indicator lamp and the setpoint value 4 flash



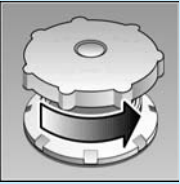
The required setpoint value appears instead of "4"



The setpoint value is stored

1 Pour in the water/special salt

Dissolves limescale (not required for set value 0!)



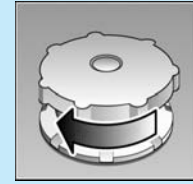
Unscrew the lid.



Only before using the dishwasher for the first time pour approx. 1 l / 1 1/4 pt water into the salt opening.



Pour in max. 1.5 kg / 3 lb 5 oz salt (never detergent!)



Screw on the lid. Switch on dishwasher immediately.

2 Pour in the rinsing agent

Cleaning the appliance...



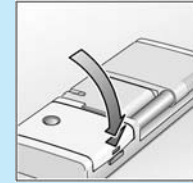
Press the marking, Lift the lid



Always refill when the level indicator is clear.



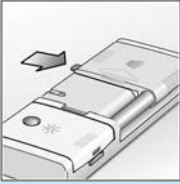
Pour in the rinsing agent



Close the lid. CLICK

3 Pour in the cleaning agent

Little dirt, little cleaning agent



Warning,



combination products are not suitable for all programmes, follow manufacturer's instructions.



Pour in the cleaning agent



Push the lid too, press. PLOP

5 Select the programme

Quick, economical or intensive ...

Programme overview

This overview lists the max. possible number of programmes. The programmes supplied with your appliance are indicated on the fascia.

The programme data are values measured in the laboratory in compliance with Standard EN 50242. Deviations in practice are possible.

	Intensive 70°	Auto 55° /65°	Eco 50°	Gentle 40°	Quick 45°	Pre-rinse
Duration in minutes	112	95-145	140	72	30	19
Electricity consumption in kWh	1,60	1,15-1,50	1,05	0,80	0,80	0,10
Water consumption in litres	21	11-19	14	15	10	4
with Aquasensor	18	-	-	12	-	-

7 Switch on the appliance the dishwasher starts...

Press the on/off switch, the cycle time for the programme selected appears

7 Switch off the appliance that's it...

Press the on/off switch when the indicator shows 0 (programme end)

Additional programmes **

Increased flexibility ...

Soak
...crockery in the lower basket, programme starts automatically, remember to add an extra 5g of cleaning agent when the door

Time reduction/ time saving
...shortens the cleaning time, reduces the drying.

Upper basket cleaning
...Only the crockery in the upper basket is cleaned

Lower basket cleaning
...Only the crockery in the lower basket is cleaned

Time selection
...switches on as soon as you press the time selection button: Alters the programme start in hourly steps

Maintenance and care

Strainers ...
Check, if required, clean

Rotate filter cylinder, remove filter system ...

For perfect rinsing results ...
rinse under flowing water ...

Insert ...

Screw in filter system **NOTE MARK!**

Cleaning the waste-water pump *

- * With some models
- Ladle out water and remove filters
 - Unscrew cover (Torx T20)
 - Check area of fan impeller for foreign objects
 - Screw in cover and insert filters

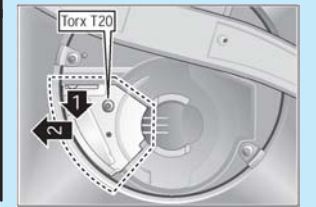
Spray arms ...
Remove blockages/deposits

Pull lower arm upwards ...

Unscrew upper arm ...

Clean spray nozzles under flowing water (perhaps with toothpick) ...

Insert lower arm ...
Screw in upper arm



Eliminating minor faults yourself ...

... Self-help pays!

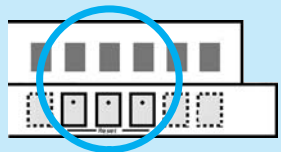
Fault	Possible Cause	Remedy
Residual water in the device	Waste-water pump blocked Programme not yet ended	▶ Clean waste-water pump (see above). ▶ Switch on appliance and close or terminate programme (see Terminating the programme).
Device does not work/stops	Supply fitting not open Supply hose kinked Supply fitting jammed or calcified	▶ Open supply fitting. ▶ Lay supply hose without kinks. ▶ 1. Unscrew water connection. 2. Clean filter in the water connection. 3. Flow rate must be min. 9 l/min when the water inlet is open. If the flow rate is less, replace the supply fitting.
Plastic parts / parts of dishes discoloured	Too little cleaning product Discoloration caused by food colourings (tomato sauce)	▶ Follow manufacturer's specifications (detergent). ▶ Discoloration is quite safe; fades after subsequent rinse cycles.
Cutlery rusty	Cutlery not rust-proof Hard knife blades are more susceptible Extraneous rust	▶ Use dishwasher-proof cutlery. ▶ Never wash rusting parts in the appliance.

Fault	Possible Cause	Remedy
Dishes not clean Sand or grainy residues on dishes	Utensils are situated too close to each other or on top of each other Too little cleaning product Unsuitable programme selected Spray nozzles blocked Filters dirty, not installed securely Spray arms blocked	▶ Spread out the utensils, avoid contact between the utensils. ▶ Follow manufacturer's specifications (detergent). ▶ Select more intensive programme. ▶ Clean spray arms (see above). ▶ Clean the strainers (see above). ▶ Arrange the utensils so that the spray arms can rotate freely.
Stains and streaks	Rinse aid dosage too high / too low	▶ Streaks: Reduce dosage. ▶ Water or limescale stains: Increase dosage.
Milky residues on dishes (can be removed)	Water softening system incorrectly set; no special salt	▶ Set water softening system correctly. ▶ Refill with special salt.
Milky film, glasses cloudy / dull (cannot be removed)	Glasses not dishwasher-proof.	▶ Use dishwasher-proof glasses. ▶ Use glass-friendly cleaning products.

Further advice can be found in the instruction manual

Stopping the programme ...

Press and hold the two reset buttons simultaneously for approximately 3 seconds while the programme is running (RESET)



▶ "0" appears
▶ The programme will stop after 1 minute

▶ Switch off the appliance.

Loading the dishwasher correctly ...

Arrange dishwasher-proof utensils (having removed any ash, wax, grease, ink, sticky labels; remove, large remnants of jam, dairy products and food) according to the operating instructions and check that the spray arms can rotate freely.

Free Manuals Download Website

<http://myh66.com>

<http://usermanuals.us>

<http://www.somanuals.com>

<http://www.4manuals.cc>

<http://www.manual-lib.com>

<http://www.404manual.com>

<http://www.luxmanual.com>

<http://aubethermostatmanual.com>

Golf course search by state

<http://golfingnear.com>

Email search by domain

<http://emailbydomain.com>

Auto manuals search

<http://auto.somanuals.com>

TV manuals search

<http://tv.somanuals.com>