

# TC9217MM-W, TC9220MM-W, TC9227MM-W



Security Systems

EN | Instruction Manual  
Monitor Mounts

# BOSCH

## MONITOR MOUNT COMPATIBILITY CHART

### For Bosch LTC Series Monitors

Bosch Monitor Model No.	Ceiling Mount	Wall Mount
<b>Monochrome</b>		
LTC 2009/51, /61	MM3000	TC9209MM-W
LTC 2012/51, /61	MM3000	TC9209MM-W
LTC 2017/50, /60	TC9217MM-C	TC9217MM-W
LTC 2020/90	TC9220MM-C	TC9220MM-W
<b>Color</b>		
LTC 2810/90, /91	TC9217MM-C	TC9217MM-W
LTC 2813/90	TC9217MM-C	TC9217MM-W
LTC 2814/90	TC9217MM-C	TC9217MM-W
LTC 2821/90, /91	TC9220MM-C	TC9220MM-W
LTC 2910/90	MM3000	TC9209MM-W
LTC 2915/91	TC9217MM-C	TC9217MM-W
LTC 2917/91	TC9217MM-C	TC9217MM-W
LTC 2919/90	TC9220MM-C	TC9220MM-W
27ST220L	TC9227MM-C	TC9227MM-W

Installation Hint for TC9217MM, TC9220MM, and TC9227MM Series Monitor Mounts, RE: Step 4.

For proper center of gravity alignment of Bosch monitors on the bottom support tray, a recommended starting point is to use the third (3rd) square hole from the front edge of the tray to mount the vertical support arm using pin E.

## SERVICE

If the unit needs servicing, contact the nearest Bosch Security Systems Service Center for authorization to return and shipping instructions.

### Service Centers

#### USA

Phone: 800-366-2283 or 717-735-6638

Fax: 800-366-1329 or 717-735-6639

#### CCTV Spare Parts

Phone: 800-894-5215 or 408-956-3853 or 3854

Fax: 408-957-3198

E-mail: [BoschCCTVparts@ca.slr.com](mailto:BoschCCTVparts@ca.slr.com)

#### Canada

Phone: 514-738-2434

#### Europe, Middle East & Asia Pacific Region

Phone: 32-1-440-0711

For additional information, see [www.boschsecurity.com](http://www.boschsecurity.com).

# Installation and Assembly BOSCH Monitor Wall Mounts

**BOSCH** Models: TC9217MM-W, TC9220MM-W,  
TC9227MM-W



This product is intended for use with UL Listed products and must be installed by a qualified professional installer.

**Before you start** make sure all parts shown (see parts list, page 9) are included with your bracket.

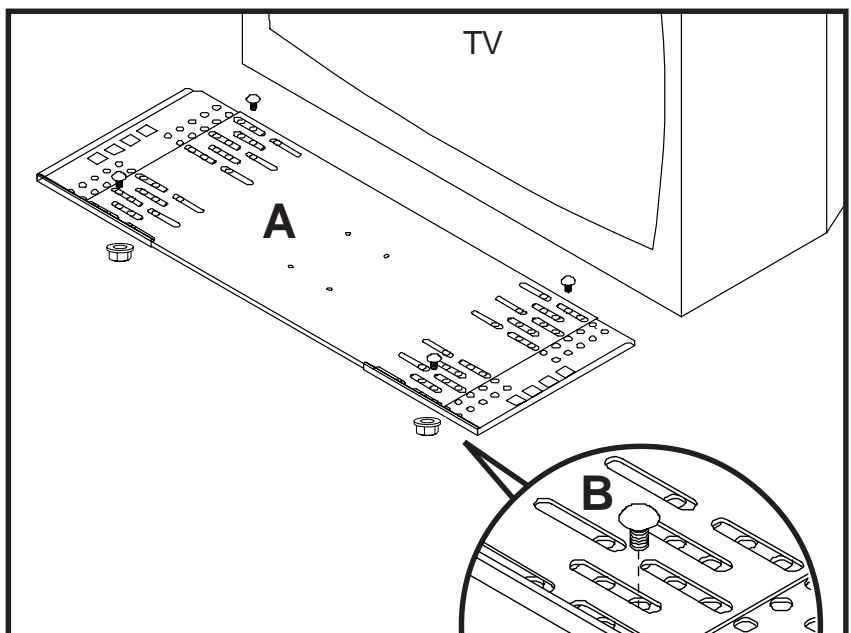
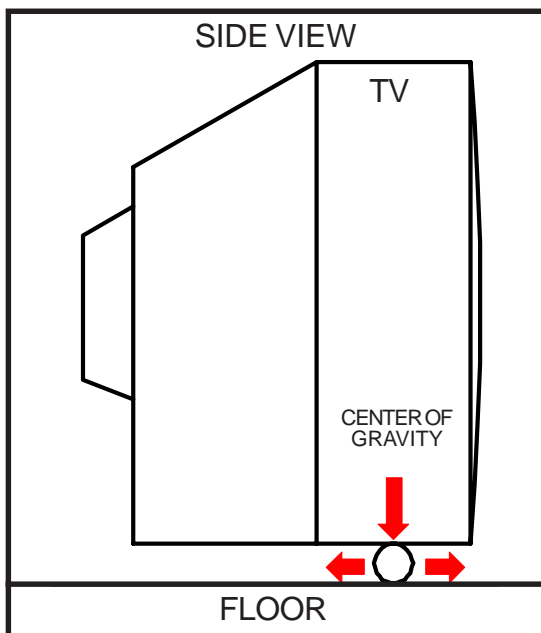
**IMPORTANT!** Read entire instruction sheet before you start installation and assembly.

Product is UL rated up to \_\_\_ TV sizes, per attached chart

Model #:	TV size
TC9217MM-W	17"
TC9220MM-W	21"
TC9227MM-W	27"

**IMPORTANT!** If attaching a VCR Mount carefully study *both* product instruction sheets before assembly. The interface bracket (included with the VCR Mount) must be attached during monitor mount assembly to avoid disassembly later.

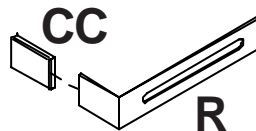
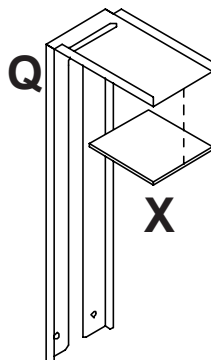
Each monitor mount is for use with a single TV or monitor of a specified size only.



**1** Place TV onto a piece of pipe as shown. (Pipe should be a few inches wider than the TV.) Roll TV back and forth to find the balance point. This is the **center of gravity**. Mark the center of gravity on the side of the TV.

**3** Adjust support tray (A, three pieces) to match width of TV. Lock support tray using four carriage bolts (B), washer/nut combo (C). Tighten securely.

**2** Attach adhesive pads (X) to top clamps (Q). Insert plastic covers (CC) onto ends of anti-rollout hooks (R).

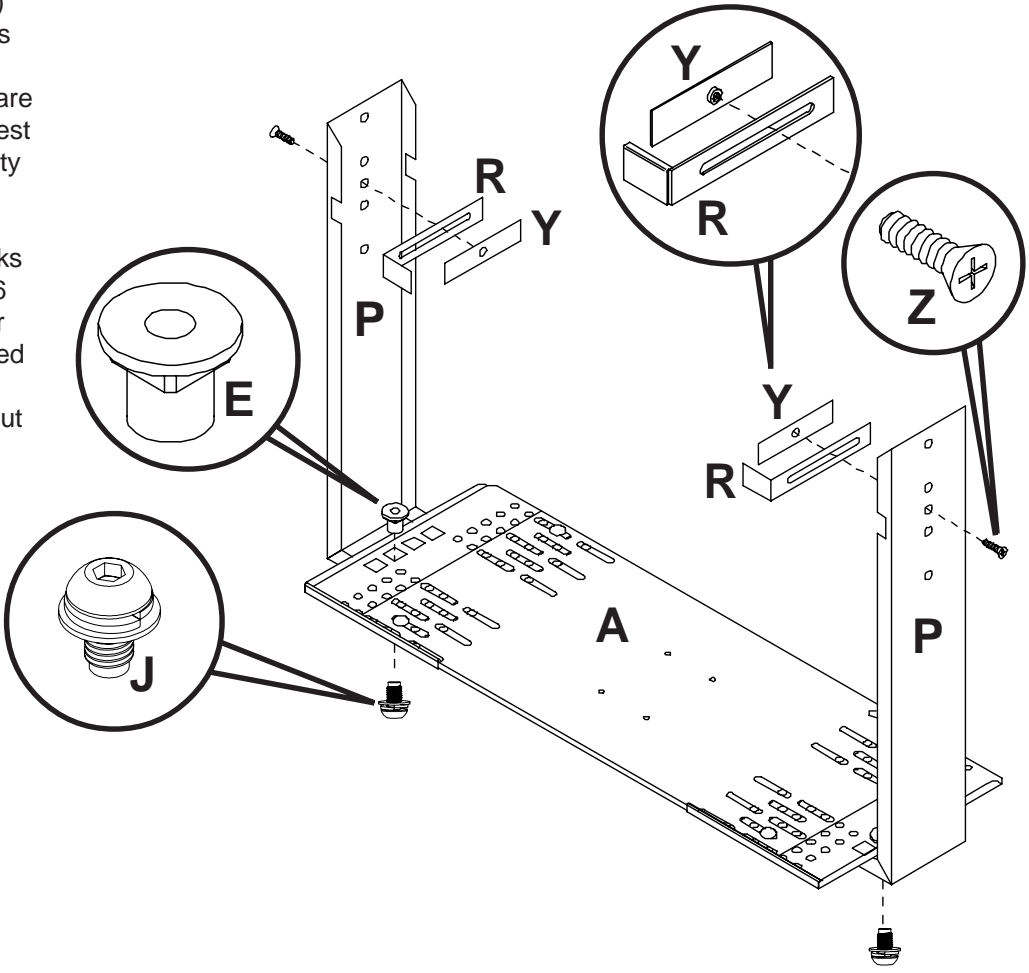


4

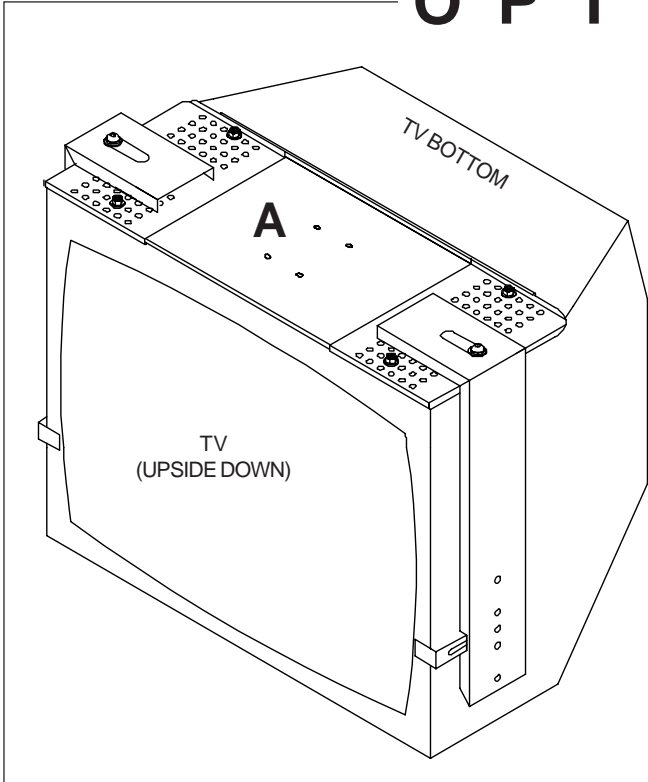
Attach support tray (A) to vertical support arms (P) as shown.

**Note:** Choose the square hole which aligns closest with the center of gravity mark on the TV (as determined in step 1). Attach anti-rollout hooks (R) as shown using M6 screws (Z) and retainer bars (Y). **Note:** Extruded side of retainer bar (Y) goes towards anti-rollout hook (R).

**Hand tighten only.**

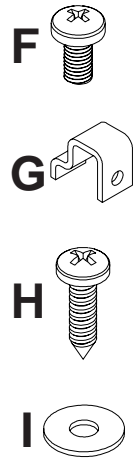


# OPTIONAL



Although top clamps (Q) and anti-rollout hooks (R) [see step 7] will provide more than adequate support for the TV, some installers may wish to also attach the support tray to the TV bottom.

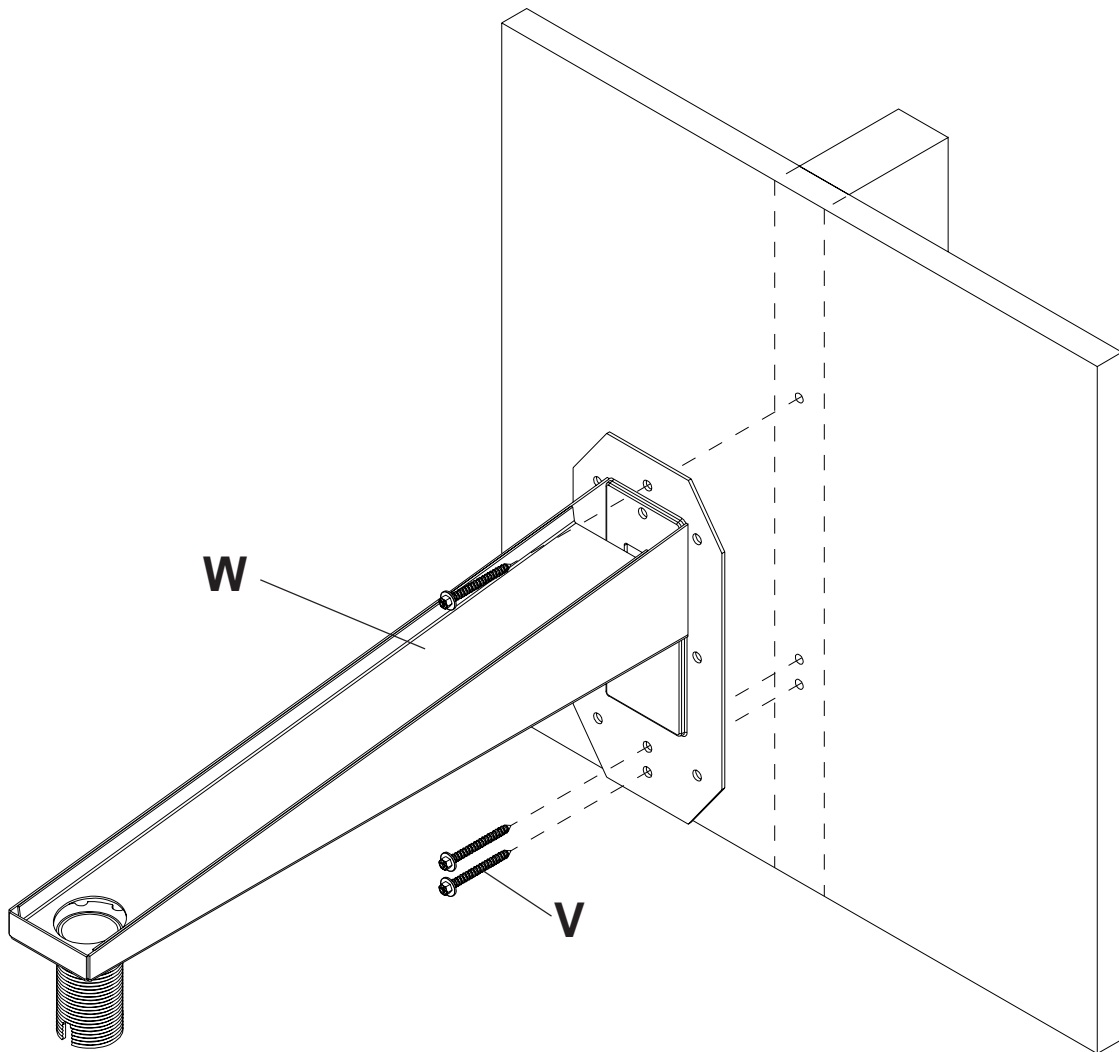
Using uni-clips (G) and M5 screws (F) (see instruction card in fastener pack), or #10 x 3/4" particle board screws (H) and washers (I) (for attachment to mounting bosses if present), or a combination of both, attach support tray (A) to TV bottom. [To do this place TV upside down on a flat stable surface and position support tray upside down on TV bottom.] Attach at four places as close to the four corners of the TV bottom as possible.



- 5** For Wood Stud Walls drill three 5/32" (4 mm) dia. holes to a minimum depth of 2.5" (64 mm) into **stud center**. Attach wall arm (**W**) using three #14 x 2.5" (6 mm x 65 mm) wood screws (**V**).

## ⚠ WARNING

- Tighten wood screws so wall arm is firmly attached, but do not tighten with excessive force! Overtightening can cause stress damage to wood screws, greatly reducing their holding power. Tighten to 80 in • lb (9 N.M.) maximum torque.



## ⚠ WARNING

- When installing BOSCH wall mounts on cinder block, verify that you have a minimum of 1-3/8" of actual concrete surface in the hole to be used for the concrete anchors. Do not drill into mortar joints! Be sure to mount in a solid part of the block, generally 1" minimum from the side of the block. Cinder block must meet ASTM C-90 specifications. It is suggested that a standard electric drill on slow setting is used to drill the hole instead of a hammer drill to avoid breaking out the back of the hole when entering a void or cavity.
- Concrete must be 2000 psi density minimum. Lighter density concrete may not hold concrete anchor.
- Make sure that the wall will safely support four times the combined load of the equipment and all attached hardware and components.

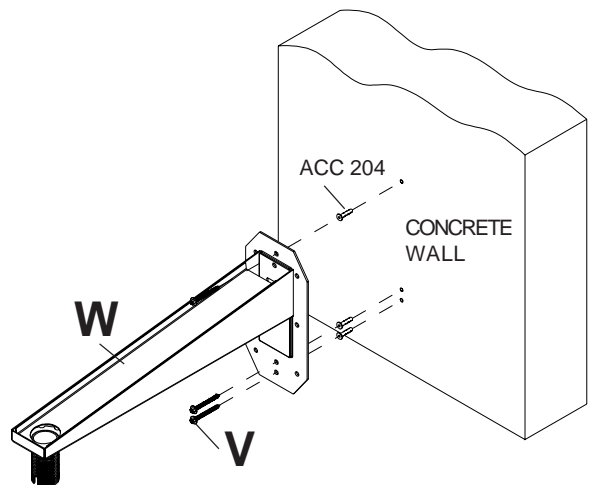
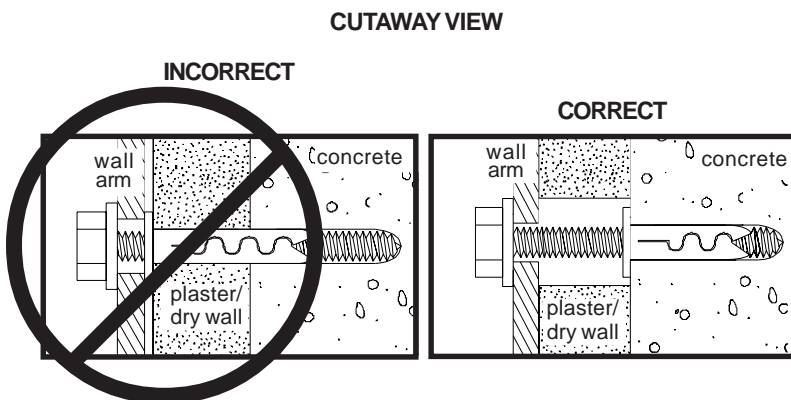
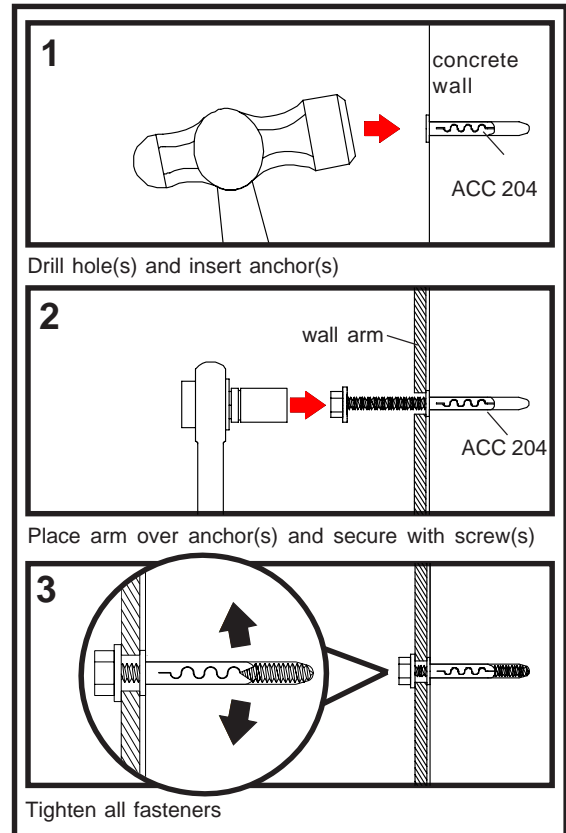
- 6** For Concrete Walls use wall arm (**W**), making sure that it is level, as a template to mark holes. Drill 1/4" (6 mm) dia. holes to a minimum depth of 2.5" (64 mm). Insert concrete anchors in holes flush with wall as shown (right). Place wall arm (**W**) over anchors and secure with #14 x 2.5" (6 mm x 65 mm) wood screws (**V**). Tighten all fasteners.

## ⚠ WARNING

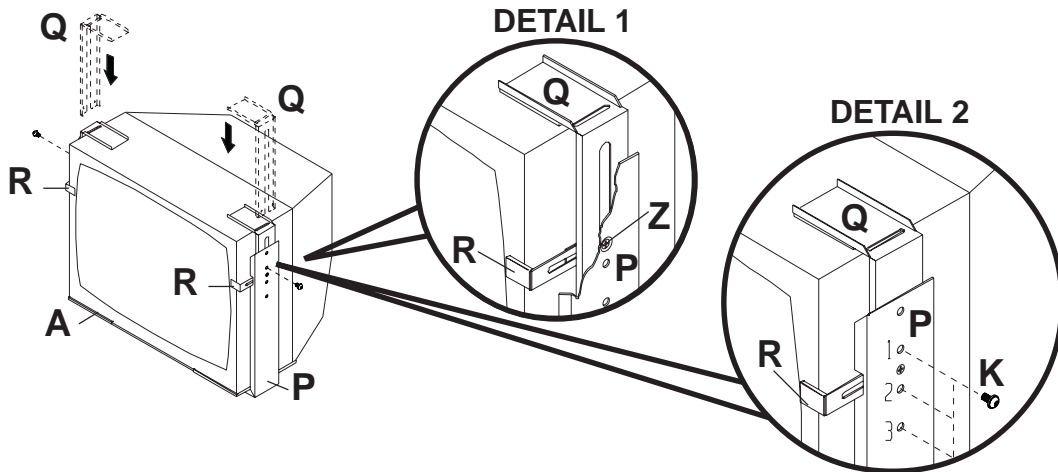
- Tighten wood screws so that wall plate is firmly attached, but do not overtighten. Overtightening can damage the screws, greatly reducing their holding power.
- Never tighten in excess of 80 in • lb (9 N.M.).
- Make sure that mounting screws are anchored into the center of the studs. The use of an "edge to edge" stud finder is highly recommended.

## ⚠ WARNING

- Concrete anchors are **not** intended for attachment to concrete wall covered with a layer of plaster, drywall, or other finishing material. If mounting to concrete wall covered with plaster/drywall is unavoidable, plaster/drywall (up to 5/8" thick) must be counterbored as shown below. If plaster/drywall is thicker than 5/8", custom fasteners must be supplied by installer.



**Note:** Slots in corners of top clamps (Q) and corners of vertical support arms (P) allow for the installation of safety belt (model ACC 666, sold separately). If using this belt, install it now.



**7**

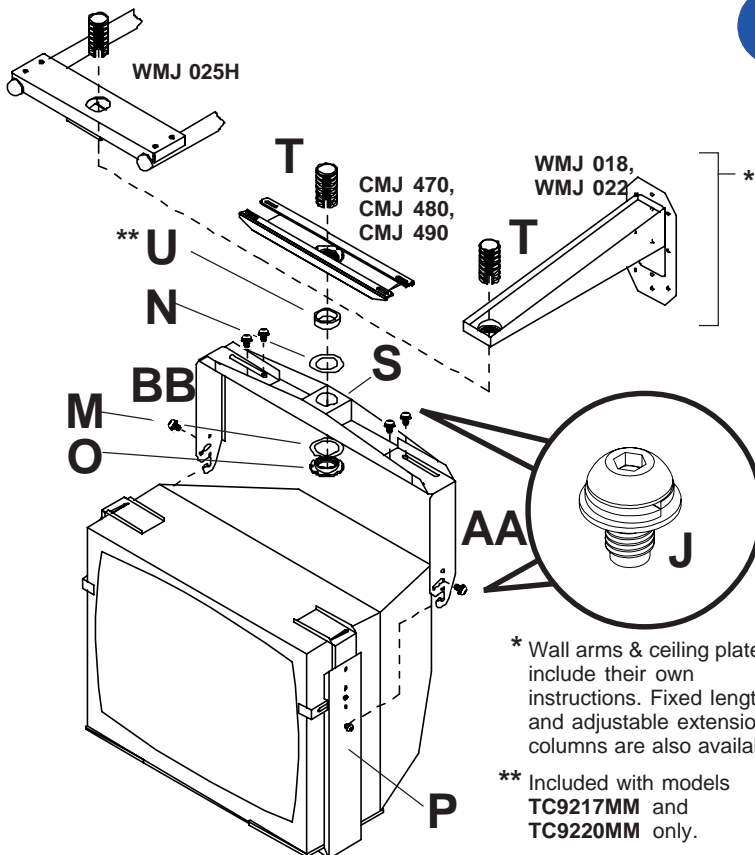
Position TV onto support tray (A). Position anti-rollout hooks (R) against front edge of TV.

## ⚠ WARNING

- Each anti-rollout hook (R) should have at least 1/4" of surface contact with the front of the TV. If this is not the case the support tray (A) must be adjusted smaller [see step 2], or the vertical support arms (P) adjusted inward [see step 4].

Insert top clamps (Q). **Note:** Top clamps (Q) fit between rollout protectors (R) and vertical support arms (P) [DETAIL 1]. Press down on each top clamp (Q) while securely tightening each M6 screw (Z).

By hand, thread one serrated flange head screw (K) into each vertical support arm (P) into one of three threaded holes [1, 2, or 3; DETAIL 2]. Choose the threaded hole that will allow just enough tilt clearance [see step 9]. Leave about 1/4" of exposed thread.



**8**

**FIRST:** From the top fully thread flush mount tube (T) into threaded fitting in wall arm or ceiling plate. Install the wall arm or ceiling plate according to instructions included with it.

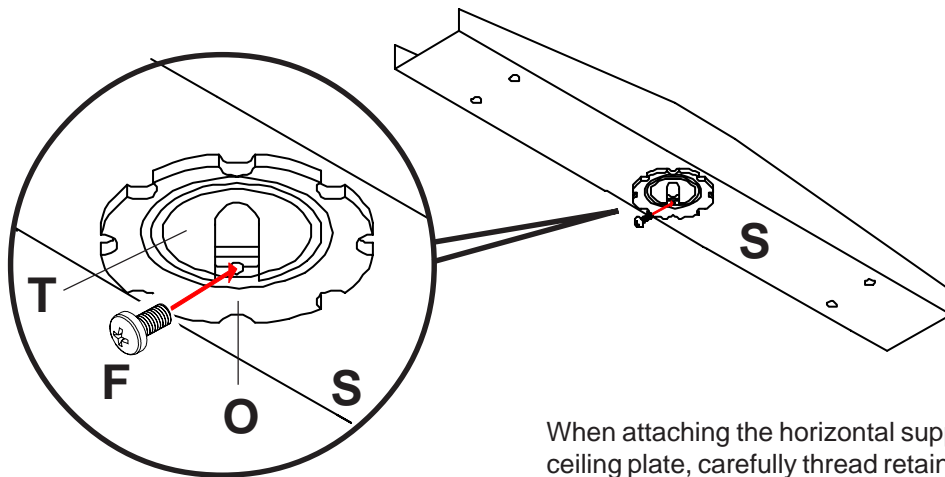
**NEXT:** Attach right and left tilt brackets (AA & BB) to horizontal support (S) using four screws & washer combo (J). Before tightening screws make sure tilt brackets are adjusted horizontally to align precisely with screws in the side of vertical support arms (P). Attach horizontal support (S) to wallarm or ceiling plate using fiber washers (M & N), spacer (U, only included with smaller models) and retaining collar (O). **IMPORTANT:** Retaining collar (O) requires a safety screw [refer to DETAIL 3, page 8].

**FINALLY:** Be sure that hooks in right and left tilt brackets (AA & BB) are open end forward. Hang the TV / bracket assembly.

## ⚠ WARNING

- Do not lift more weight than you can handle! Use additional manpower or mechanical lifting equipment to safely lift and hang the TV / Bracket assembly!

Insert one screw & washer combo (J) through slot in each tilt bracket (AA & BB). Hand tighten.

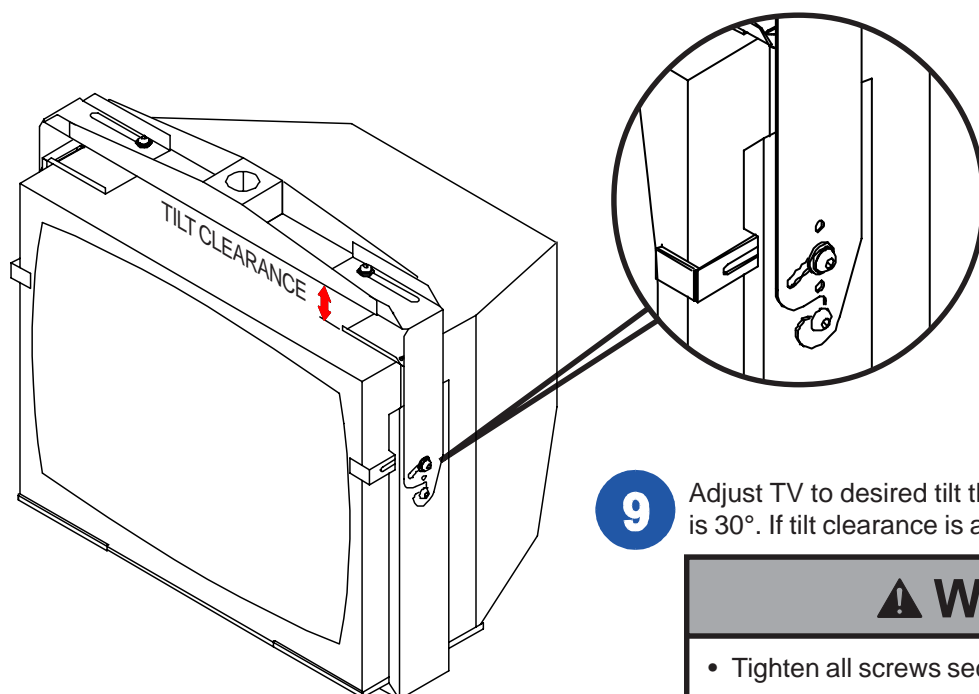


**DETAIL 3**  
(BOTTOM VIEW)

When attaching the horizontal support (S) to wall arm or ceiling plate, carefully thread retaining collar (O) onto end of flush mount (T) tube (or extension column). Tighten at least four complete turns ending with one of the small threaded holes aligned with slot in the end of flush mount tube (T) (or extension column). Insert and tighten one M5 screw (F).

### **⚠ WARNING**

- Set screw (F) is self tapping and may be hard to get started but is essential to this installation. Failure to install this screw can cause the mount to fall.



**9**

Adjust TV to desired tilt then tighten screws. Maximum tilt is 30°. If tilt clearance is a problem revisit step 7, DETAIL 2.

### **⚠ WARNING**

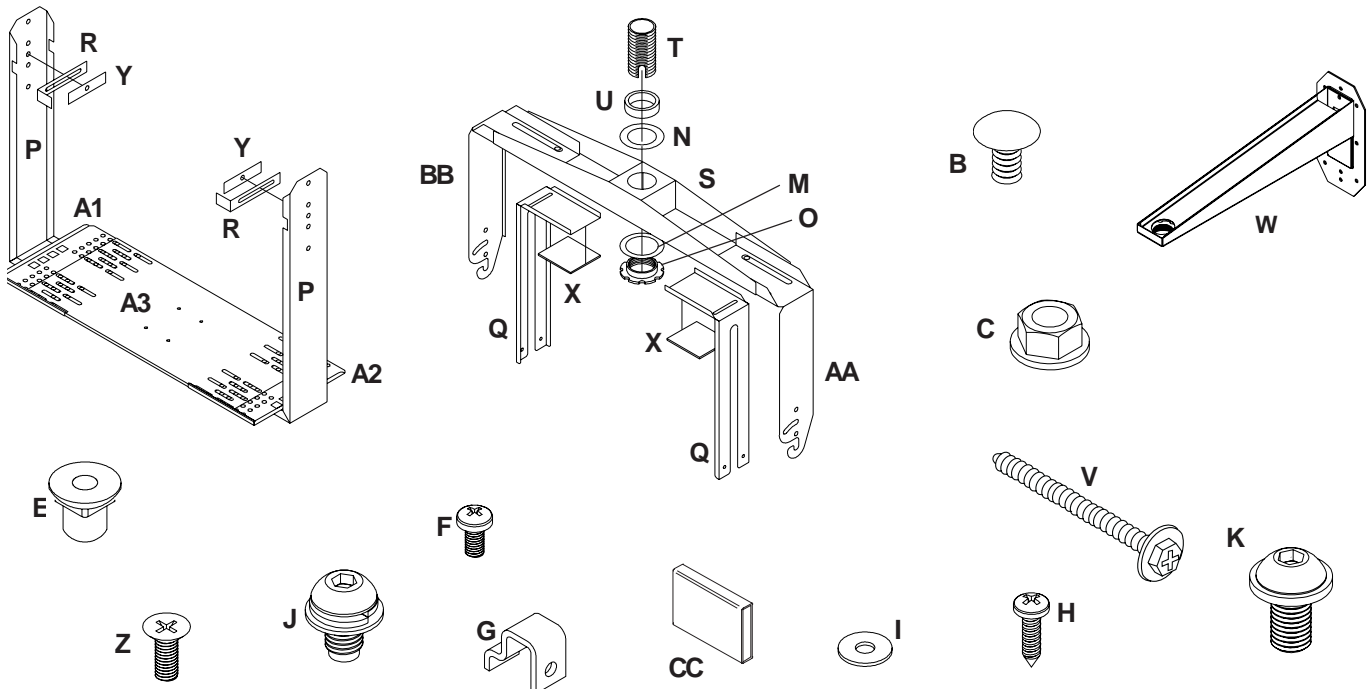
- Tighten all screws securely.



# Parts List

Description	Qty.	TC9217MM-W	TC9220MM-W	TC9227MM-W
		Part #	Part #	Part #
<b>A1</b> left end support tray	1	128-1023	128-1026	128-1026
<b>A2</b> right end support tray	1	128-1024	128-1027	128-1027
<b>A3</b> center support tray	1	128-1128	128-1134	128-1135
<b>B</b> 5/16 - 18 x 1/2" carriage bolt	4	520-9207	520-9207	520-9207
<b>C</b> 5/16-18 washer/nut combo	4	530-1016	530-1016	530-1016
<b>E</b> M10-1.5 x .7 flange nut	2	520-9261	520-9261	520-9261
<b>F</b> M5 x .8 x 10 mm screw	6	520-9250	520-9250	520-9250
<b>G</b> uni-clip	4	2245-081	2245-081	2245-081
<b>H</b> #10 x 3/4" particle board screw	4	500-9006	500-9006	500-9006
<b>I</b> #10 flat washer	4	540-9400	540-9400	540-9400
<b>J</b> M10 socket head lock/flat washer combo screw	8	520-1041	520-1041	520-1041
<b>K</b> M10 serrated flange head screw	2	520-1105	520-1105	520-1105
<b>M</b> fiber washer - large inside dia.	1	540-9432	540-9432	540-9432
<b>N</b> fiber washer - small inside dia.	1	540-9431	540-9431	540-9431
<b>O</b> retaining collar	1	1800-375	1800-375	1800-375
<b>P</b> vertical support arm	2	128-1107	128-1109	128-1111
<b>Q</b> top clamp	2	128-1138	128-1138	128-1138
<b>R</b> anti-rollout hook	2	128-1116	128-1116	128-1116
<b>S</b> horizontal support	1	128-1016	128-1017	128-1018
<b>T</b> flush mount tube	1	1446-014	1446-014	1446-014
<b>U</b> spacer	1	128-0067	128-0067	-
<b>V</b> #14 x 2.5" (6 mm x 65 mm) screw	4	5S1-015-C03	5S1-015-C03	5S1-015-C03
<b>W</b> single wall arm	1	128-1059	128-1059	128-1069
<b>X</b> adhesive pads (not shown)	2	570-0024	570-0024	570-0024
<b>Y</b> retainer bar	2	128-1117	128-1117	128-1117
<b>Z</b> M6 x 18mm flat phillips screw	2	520-1166	520-1166	520-1166
<b>AA</b> tilt bracket right	1	128-1342	128-1337	128-1337
<b>BB</b> tilt bracket left	1	128-1341	128-1336	128-1336
<b>CC</b> plastic cover for anti-rollout hook	2	590-1055	590-1055	590-1055

Note: Parts may appear slightly different than illustrated.



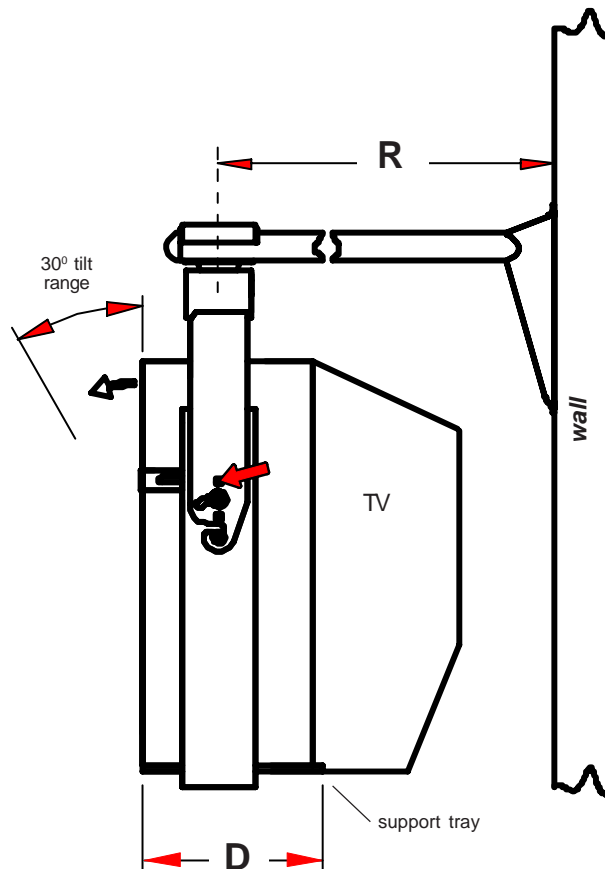
GENERAL WALL MOUNT KIT SPECIFICATIONS				
Mount		TV/Monitor	Product BOSCH rated when attached to...	
Model Number	Support Tray Depth (D)	Screen Size	wood stud	concrete, cinder block or brick
TC9217MM-W	10" (254 mm)	13" - 17" (330 mm) (432 mm)	125 lb (57 kg)	150 lb (65 kg)
TC9220MM-W	14" (356 mm)	19" - 21" (482 mm) (533 mm)	125 lb (57 kg)	150 lb (65 kg)
TC9227MM-W	14" (356 mm)	25" - 28" (635 mm) (686 mm)	125 lb (57 kg)	150 lb (65 kg)

**Reach (R)**

18" (457 mm) for models TC9217MM-W, TC9220MM-W.  
22.5" (572 mm) for models TC9227MM-W.

**⚠ WARNING**

- Weight of TV or monitor not to exceed Max. Load Capacity (BOSCH rating)!





Americas  
Bosch Security Systems  
130 Perinton Parkway  
Fairport, New York, 14450, USA  
Phone: +1 (585) 223 4060  
Fax: +1 (585) 223 9180  
E-mail: [security.sales@us.bosch.com](mailto:security.sales@us.bosch.com)  
[www.boschsecurity.us](http://www.boschsecurity.us)

Europe, Middle East, Africa  
Bosch Security Systems B.V.  
P.O. Box 80002  
5600 JB Eindhoven, The Netherlands  
E-mail:  
[ema.securitysystems@bosch.com](mailto:ema.securitysystems@bosch.com)  
<http://www.boschsecurity.com>

Asia-Pacific  
Bosch Security Systems Pte Ltd  
38C Jalan Pemimpin  
Singapore 577180, Singapore  
Phone: +65 319 3488  
Fax: +65 319 3499  
E-mail:  
[sg.securitysystems@bosch.com](mailto:sg.securitysystems@bosch.com)  
<http://www.boschsecurity.com>

© 2005 Bosch Security Systems GmbH  
3935 890 28113 05-05 | February 3, 2005 | Data subject to change without notice.

# BOSCH

## Free Manuals Download Website

<http://myh66.com>

<http://usermanuals.us>

<http://www.somanuals.com>

<http://www.4manuals.cc>

<http://www.manual-lib.com>

<http://www.404manual.com>

<http://www.luxmanual.com>

<http://aubethermostatmanual.com>

Golf course search by state

<http://golfingnear.com>

Email search by domain

<http://emailbydomain.com>

Auto manuals search

<http://auto.somanuals.com>

TV manuals search

<http://tv.somanuals.com>