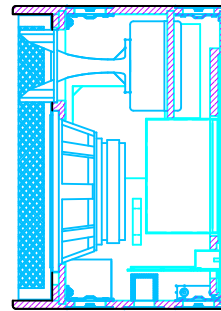
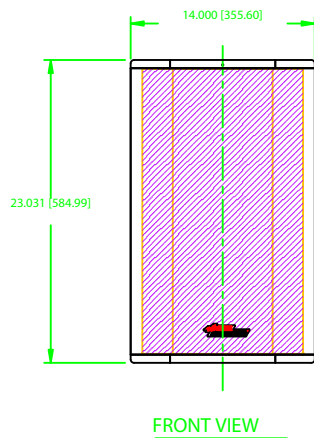
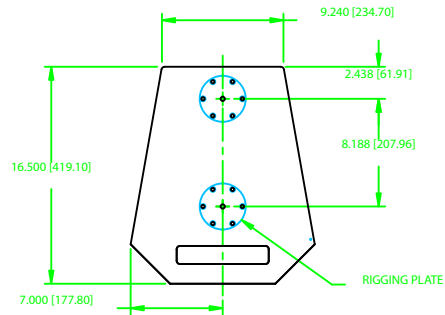
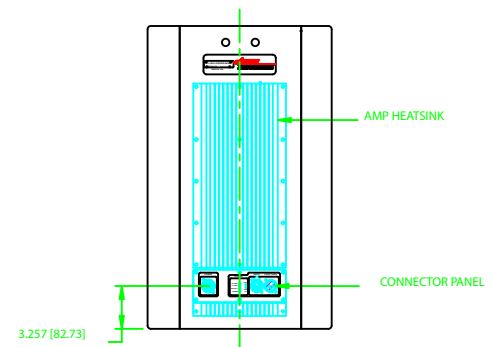


# APL-500 POWERED SPEAKER



REAR VIEW



NOTES: UNLESS OTHERWISE SPECIFIED

1. OPTIONAL TRIM IS NOT SHOWN.
2. DIMENSIONS ARE IN INCHES & [MILLIMETERS].

INFORMATION CONTAINED IN THIS DOCUMENT IS THE SOLE PROPERTY OF APOGEE SOUND INTERNATIONAL, LLC. REPRODUCTION OF ALL OR ANY PART OF THIS DOCUMENT WITHOUT WRITTEN CONSENT FROM APOGEE SOUND INTERNATIONAL, LLC IS PROHIBITED.	<b>NOT TO SCALE</b>					
	SCALE	1/4	DRAWN		WWE	02/11/02
	PRODUCT NUMBER:	105-1500	SIZE	D	DRAWING NO.	ZAPL500
	REVISION	A	APL-500 POWERED LOUDSPEAKER			

## Free Manuals Download Website

<http://myh66.com>

<http://usermanuals.us>

<http://www.somanuals.com>

<http://www.4manuals.cc>

<http://www.manual-lib.com>

<http://www.404manual.com>

<http://www.luxmanual.com>

<http://aubethermostatmanual.com>

Golf course search by state

<http://golfingnear.com>

Email search by domain

<http://emailbydomain.com>

Auto manuals search

<http://auto.somanuals.com>

TV manuals search

<http://tv.somanuals.com>