

## Outdoor LP Gas Barbecue Grill

Model No. GBC1273W / BH12-101-001-02

**Natural gas conversion kit is available, model number VFK1000W.**



### WARNING

**FOR YOUR SAFETY:**

**For Outdoor Use Only**  
(outside any enclosure)



### WARNING

**FOR YOUR SAFETY:**

1. Improper installation, adjustment, alteration, service or maintenance can cause injury or property damage.
2. Read the installation, operation and maintenance instructions thoroughly before installing or servicing this equipment.
3. Failure to follow these instructions could result in fire or explosion, which could cause property damage, personal injury or death.
4. This instruction manual contains important information necessary for the proper assembly and safe use of the appliance.
5. Read and follow all warnings and instructions before assembling and using the appliance.
6. Follow all warnings and instructions when using the appliance.
7. Keep this manual for future reference.



### DANGER

**If you smell gas -**

1. Shut off gas to appliance.
2. Extinguish any open flame.
3. Open lid.
4. If odor continues, keep away from the appliance and immediately call your gas supplier or your fire department.



### WARNING

**FOR YOUR SAFETY:**

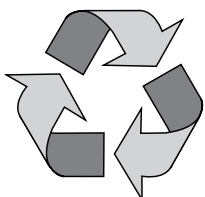
1. Do not store or use gasoline or other flammable liquids or vapors in the vicinity of this or any other appliance.
2. An LP cylinder not connected for use shall not be stored in the vicinity of this or any other appliance.



### DANGER

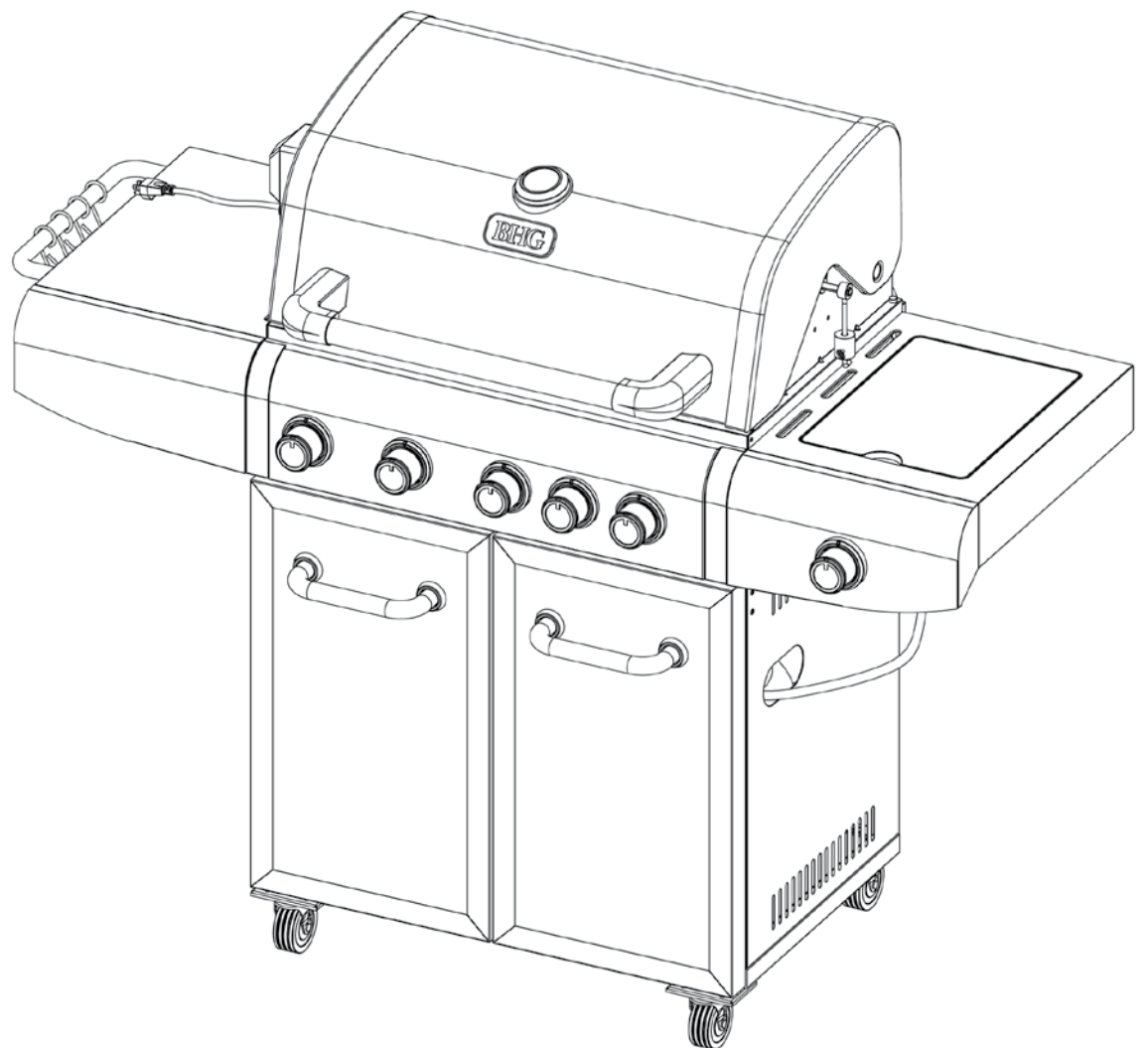
**Never operate this appliance unattended.**

Save these instructions for future reference. If you are assembling this unit for someone else, give this manual to him or her to read and save for future reference.



Made from 75% Bagasse

(Environmentally Friendly Sugar Cane Pulp By-product)



### Table of Contents

Important Safeguards . . . . .	Page 2
Exploded View & Hardware . . . . .	3
Assembly Instructions . . . . .	4
Assembly Instructions - Rotisserie . . . . .	10
Installing LP Gas Tank . . . . .	11
Insert LP Gas Tank . . . . .	11
Secure LP Gas Tank . . . . .	11
Connect LP Gas Tank . . . . .	11
Disconnect LP Gas Tank . . . . .	11
Installing natural gas line . . . . .	11
Connect natural gas line . . . . .	11
Disconnect natural gas line . . . . .	11
Operating Instructions . . . . .	11
Checking for Leaks . . . . .	11
Operating Main Burners . . . . .	12
Operating Infrared Sear Burner . . . . .	12
Operating Side Burner . . . . .	13
Operating Infrared Back Burner . . . . .	13
Tips . . . . .	13
Operating Rotisserie . . . . .	14
Cleaning and Care . . . . .	14
Product Registration . . . . .	15
Limited Warranty . . . . .	15
Troubleshooting . . . . .	16

The use and installation must conform with local codes or, in the absence of local codes, with either the *National Fuel Gas Code, ANSI Z223.1/NFPA 54, Natural Gas and Propane Installation Code, CSA B149.1, or Propane Storage and Handling Code, B149.2, or the Standard for Recreational Vehicles, ANSI A 119.2/NFPA 1192, and CSA Z240 RV Series, Recreational Vehicle Code*, as applicable.

California Proposition 65: Combustion by-products produced when using this product contain chemicals known to the State of California to cause cancer, birth defects, and other reproductive harm.

California Proposition 65: Wash your hands after handling this product.

Manufactured in China for: Blue Rhino Global Sourcing, Inc  
Winston-Salem, NC USA • 1.800.762.1142, www.bluerhino.com  
© Blue Rhino Global Sourcing, Inc. All Rights Reserved

BETTER HOMES AND GARDENS and the Better Homes and Garden logo are trademarks of Meredith Corporation, licensed to and distributed by Wal-Mart Stores, Inc. All rights reserved.  
GBC1273W\_s-OM-105 ES

- ▲ **DANGER:** Failure to follow the dangers, warning and cautions in this manual may result in serious bodily injury or death, or in a fire or an explosion causing damage to property.
- ▲ **WARNING:**
- ▲ This grill is for outdoor use only, and shall not be used in a building, garage or any other enclosed area.
  - ▲ Do NOT operate, light or use this appliance within ten (10) feet (3.05 m) of walls, structures or buildings.
  - ▲ For residential use only. This grill is NOT for commercial use.
  - ▲ This grill is not intended for and should never be used as a heater. TOXIC fumes can accumulate and cause asphyxiation.
  - ▲ This grill is safety certified for use in the United States and/or Canada only. Do not modify for use in any other location. Modification will result in a safety hazard.
  - ▲ Apartment Dwellers: Check with management to learn the requirements and fire codes for using an LP gas grill in your apartment complex. If allowed, use outside on the ground floor with a ten (10) foot (3.05 m) clearance from any structure. Do not use on or under balconies.
  - ▲ This grill is for use with liquid propane (LP) gas only. The conversion to or attempted use of natural gas in this LP gas grill is dangerous and will void your warranty.
  - ▲ LP gas Characteristics:
    - a. LP gas is flammable and hazardous if handled improperly. Become aware of the characteristics before using any LP gas product.
    - b. LP gas is explosive under pressure, heavier than air, and settles and pools in low areas.
    - c. LP gas in its natural state has no odor. For your safety, an odorant is added that smells like rotten cabbage.
    - d. Contact with LP gas can cause freeze burns to skin.
  - ▲ Natural Gas (NG) Characteristics:
    - a. NG is flammable and hazardous if handled improperly. Become aware of the characteristics before using any NG product.
    - b. NG is explosive under pressure, heavier than air and settles and pools in low areas.
    - c. NG in its natural state has no odor. For your safety, an odorant is added that smells like rotten cabbage.
    - d. Contact with NG can cause freeze burns to skin.
  - ▲ LP gas tank needed to operate. Only tanks marked "propane" may be used.
  - ▲ The LP gas tank must be constructed and marked in accordance with the *Specifications for LP gas Cylinders of the U.S. Department of Transportation (DOT) or the National Standard of Canada, CAN/CSA-B339, Cylinders, Spheres and Tubes for the Transportation of Dangerous Goods; and Commission.*
  - ▲ LP gas tank must be arranged for vapor withdrawal.
  - ▲ The LP gas tank must have a listed overfilling prevention device (OPD).
  - ▲ Only use LP gas cylinders equipped with a cylinder connection device compatible with the connection for outdoor cooking appliances.
  - ▲ The LP gas tank must have a tank collar to protect the tank valve.
  - ▲ Never use an LP gas tank with a damaged body, valve, collar or footing.
  - ▲ Dented or rusted LP gas tanks may be hazardous and should be checked by your LP gas supplier prior to use.
  - ▲ The LP gas tank should not be dropped or handled roughly.
  - ▲ LP gas tanks must be stored outdoors out of the reach of children and must not be stored in a building, garage or any other enclosed area. Your tank must never be stored where temperatures can reach over 125°F.
  - ▲ Do not insert any tool or foreign object into the valve outlet or safety relief valve. You may damage the valve and cause a leak. Leaking propane may result in explosion, fire, severe personal injury or death.
  - ▲ Do not block holes in sides or back of grill.
  - ▲ Never keep a filled LP gas tank in a hot car or car trunk. Heat will cause the gas pressure to increase, which may open the relief valve and allow gas to escape.
  - ▲ Place dust cap on cylinder valve outlet whenever the cylinder is not in use. Only install the type of dust cap on the cylinder valve outlet that is provided with the cylinder valve. Other types of caps or plugs may result in leakage of propane.
  - ▲ If grill is not in use, the gas must be turned off at the supply tank and disconnected.
  - ▲ Do not store a spare LP gas tank under or near this appliance.
  - ▲ Never fill the tank beyond 80 percent full.
  - ▲ A fire causing, serious injury or damage to property may occur if the above is not followed exactly.
  - ▲ Never attempt to attach this grill to the self-contained LP gas system of a camper trailer, motor home or house.
  - ▲ The use of alcohol, prescription or non-prescription drugs may impair the consumer's ability to properly assemble or safely operate the appliance.
  - ▲ Strong odors, colds, sinus congestion, etc. may prevent the detection of propane. Use caution and common sense when testing for leaks.
  - ▲ Never use charcoal, lighter fluid, lava rocks, gasoline, kerosene or alcohol with this product.
  - ▲ Your grill has been checked at all factory connections for leaks. Recheck all connections as described in the "Operating Instructions" section of the manual, as movement in shipping can loosen connections.
  - ▲ Check for leaks even if your unit was assembled for you by someone else.
  - ▲ Do not operate if gas leak is present. Gas leaks may cause a fire or explosion.
  - ▲ You must follow all leak-checking procedures before operating. To prevent fire or explosion hazard when testing for a leak:
    - a. Always perform leak test before lighting the grill and each time the tank is connected for use.
    - b. No smoking. Do not use or permit sources of ignition in the area while conducting a leak test.
    - c. Conduct the leak test outdoors in a well-ventilated area.
    - d. Do not use matches, lighters, or a flame to check for leaks.
    - e. Do not use grill until any and all leaks are corrected.
  - ▲ LP: If you are unable to stop a leak, disconnect the LP gas supply. Call a gas appliance serviceman or your local LP gas supplier.
  - ▲ NG: If you are unable to stop a leak, turn off the main valve on the NG supply line. Call a gas appliance serviceman or your local NG supplier.
  - ▲ NG: The appliance and its individual shutoff valve must be disconnected from the gas supply piping system during any pressure testing of that system at a pressures in excess of 1/2 psig (3.5 kpa).
  - ▲ NG: The appliance must be isolated from the gas supply piping system by closing its individual manual shutoff valve during any pressure testing of the gas supply piping system at test pressures equal to or less than 1/2 psig (3.5 kpa).
  - ▲ This grill is designed with to operate at an inlet pressure of: LP gas: 11 inches water column; NG 7 inches water column.
  - ▲ Do not store or use gasoline or other flammable liquids or vapors within 25 feet (7.62 m) of this appliance.
  - ▲ Do not use in an explosive atmosphere. Keep grill area clear and free from combustible materials, gasoline and other flammable vapors and liquids.
  - ▲ Minimum clearance from sides and back of unit to combustible construction is 36 inches (91.4 cm). Do not use this appliance under any type of overhang or roof.
  - ▲ It is essential to keep the grill's valve compartment, burners and circulating air passages clean.
  - ▲ Inspect grill before each use.
  - ▲ Do not alter grill in any manner. Any alteration will void your warranty.
  - ▲ Do not use the grill unless it is COMPLETELY assembled and all parts are securely fastened and tightened.
  - ▲ Do not build this model of grill in any built-in or slide in construction. Ignoring this warning could cause a fire or an explosion that can damage property and cause serious bodily injury or death.
  - ▲ This grill should be thoroughly cleaned and inspected on a regular basis.
  - ▲ Clean and inspect the hose before each use of the appliance. If there is evidence of abrasion, wear, cuts or leaks, the hose must be replaced prior to the appliance being put into operation.
  - ▲ Use only the regulator and hose assembly provided. The replacement regulator and hose assembly shall be that specified by the manufacturer.
  - ▲ Use only Blue Rhino Global Sourcing, Inc. factory authorized parts. The use of any part that is not factory authorized can be dangerous. Doing so will also void your warranty.
  - ▲ Do not operate this appliance without reading "Operating Instructions" in this manual.
  - ▲ Do not touch metal parts of grill until it has completely cooled (about 45 min.) to avoid burns, unless you are wearing protective gear (pot holders, gloves, BBQ mittens, etc.).
  - ▲ Do not install or use in or on boats or recreational vehicles.
  - ▲ When cooking, fire extinguishing materials shall be readily accessible. In the event of an oil/grease fire, do not attempt to extinguish with water. Use type BC dry chemical fire extinguisher or smother with dirt, sand or baking soda.
  - ▲ Do not use grill in high winds.
  - ▲ Never lean over the grill when lighting.
  - ▲ Do not leave a lit grill unattended, especially keep children and pets away from grill at all times.
  - ▲ Do not leave grill unattended while preheating or burning off food residue on high. If grill has not been cleaned, a grease fire can occur that may damage the product.
  - ▲ Do not place empty cooking vessels on the appliance while in operation.
  - ▲ Use caution when placing anything on the grill while the appliance is in operation.
  - ▲ Do not attempt to move grill when in use. Allow the grill to cool before moving or storing.
  - ▲ LP gas tank must be properly disconnected and removed prior to moving this grill.
  - ▲ Storage of grill indoors is permissible only if the tank is disconnected, removed from the grill and properly stored outdoors.
  - ▲ Always open grill lid carefully and slowly as heat and steam trapped within grill can severely burn you.
  - ▲ Do not attempt to disconnect the gas regulator from the tank or any gas fitting while the grill is in use.
  - ▲ Always place your grill on a hard, non-combustible, level surface. An asphalt or blacktop surface may not be acceptable for this purpose.
  - ▲ Move gas hoses as far away as possible from hot surfaces and dripping hot grease.
  - ▲ Keep all electrical cords away from a hot grill.
  - ▲ After a period of storage and/or nonuse, check for leaks, burner obstructions and inspect for any abrasion, wear or cuts to the hose.
  - ▲ Failure to open lid while igniting the grill's burners, or not waiting 5 minutes to allow the gas to clear if the grill does not light, may result in an explosive flame-up.
  - ▲ Never operate grill without heat plates installed.
  - ▲ Always use a meat thermometer to ensure food is cooked to a safe temperature.
  - ▲ Use protective gloves when assembling this product.
  - ▲ Do not force parts together as this can result in personal injury or damage to the product.
  - ▲ Never cover entire cooking area with aluminum foil.
  - ▲ All electrical accessories (such as rotisserie) must be electrically grounded in accordance with local codes, or National Electrical Code, ANSI / NFPA 70 or Canadian Electrical Code, CSA C22.1. Keep any electrical cords and/or fuel supply hoses away from any hot surfaces.
  - ▲ To protect against electric shock, do not immerse cord or plugs in water or other liquid.



Contact 1.800.762.1142 for assistance. Do not return to place of purchase.  
For great recipes and tips, visit [recipes.uniflame.com](http://recipes.uniflame.com)

- ▲ Unplug from the outlet when not in use and before cleaning. Allow to cool before putting on or taking off parts.
- ▲ Do not let the cord hang over the edge of a table or touch hot surface.
- ▲ Do not use an outdoor cooking gas appliance for purposes other than intended.
- ▲ When connecting, first connect plug to the outdoor cooking gas appliance then plug appliance into the outlet.
- ▲ Use only a Ground Fault Interrupter (GFI) protected circuit with this outdoor cooking gas appliance.

- ▲ Never remove the grounding plug or use with an adapter of 2 prongs; and use only extension cords with a 3 prong grounding plug, rated for the power of the equipment, and approved for outdoor use with a W-A marking.
- ▲ OUTDOOR USE ONLY. DO NOT EXPOSE TO RAIN.
- ▲ CAUTION: Risk of Electric Shock. Keep extension cord connection dry and off the ground
- ▲ Use only on properly grounded outlet.
- ▲ Deaths, serious injury or damage to property may occur if the above is not followed exactly.

Parts List		Exploded View	
1	Warming Rack	55-22-043	
2	Cooking Grid (3)	55-22-044	
3	Temperature Gauge*	55-10-583	
4	Branding Plate*	55-22-045	
5	Lid Handle*	55-22-046	
6	Lid*	55-22-047	
7	Heat Plate (3)	55-22-048	
8	Side Burner Grid	55-22-049	
9	Side Burner	55-10-052	
10	Regulator/Hose Assembly*	55-08-091	
11	Infrared Back Burner*	55-10-252	
12	Burner (3)*	55-22-050	
13	Infrared Sear Burner*	55-22-051	
14	Control Knob Bezel (6)*	55-08-071	
15	Control Knob (6)	55-09-341	
16	Right Side Shelf Assembly*	55-22-052	
17	Towel Bar	55-07-548	
18	Tool Hook (4)*	55-07-729	
19	Left Side Shelf	55-22-053	
20	Left Side Shelf Front Panel	55-22-054	
21	Right Side Shelf Front Panel	55-22-055	
22	Rotisserie Motor	55-22-056	
23	Rotisserie Motor Support	55-22-057	
24	Rotisserie Fork (2)	55-10-261	
25	Rotisserie Handle	55-22-058	
26	Rotisserie Counterweight	55-22-059	
27	Rotisserie Rod	55-22-060	
28	Grease Cup	55-11-018	
29	Grease Tray	55-22-061	
30	Basket (2)	55-09-337	
31	Cart Frame Support	55-22-062	
32	Basket Support (4)	55-22-063	
33	Left Side Panel	55-22-064	
34	Rear Panel	55-22-065	
35	LP Gas Tank Retainer Wire*	55-22-065	
36	Right Side Panel	55-22-067	
37	Door Handle (2)	55-22-068	
38	Left Door	55-22-069	
39	Right Door	55-22-070	
40	Lighting Hook*	55-07-331	
41	Bottom Shelf	55-22-071	
42	Front Cart Frame Support	55-22-072	
43	Door Magnet (4)*	55-10-174	
44	Rear Locking Wheel (2)	55-22-073	
45	Front Wheel (2)	55-22-074	
46	Grill Body Assembly*	55-22-075	

\* Pre assembled

Hardware			
A	Screw	M4x10 Nickel Plated Phillips Truss Head	12 pcs
B	Screw	M6x12 Nickel Plated Phillips Truss Head	33 pcs
C	Screw	M6x60 Nickel Plated Phillips Truss Head	4 pcs
D	Bolt	M6x15 Nickel Plated Hex Head	20 pcs
E	Nut	M6 Nickel Plated	10 pcs
F	Washer	ø6.4 Nickel Plated	10 pcs
G	Washer	ø6.5 Nickel Plated	14 pcs
H	Lock Washer	ø6.5 Nickel Plated	10 pcs

Tools Required for Assembly (Included)	
#2 Phillips Head Screwdriver	1 pc
M10-M6 Wrench	1 pc

## Assembly Instructions

1

### DO NOT RETURN PRODUCT TO STORE.

For assistance call **1.800.762.1142** toll free. Please have your owner's manual and model number available for reference.

*Note:* The model number can be found on the back or side of the cart assembly.

For Easiest Assembly:

- To avoid losing any small components or hardware, assemble your product on a level surface that does not have cracks or openings.
- Clear an area large enough to layout all components and hardware and that is soft to not scratch or damage any surface finishes.
- When applicable, tighten all hardware connections by hand first. Once the step is completed go back and fully tighten all hardware while being cautious not to over tighten to avoid damaging surfaces or stripping hardware.
- Follow all steps in order to properly assemble your product.

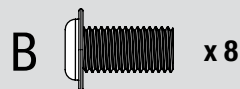
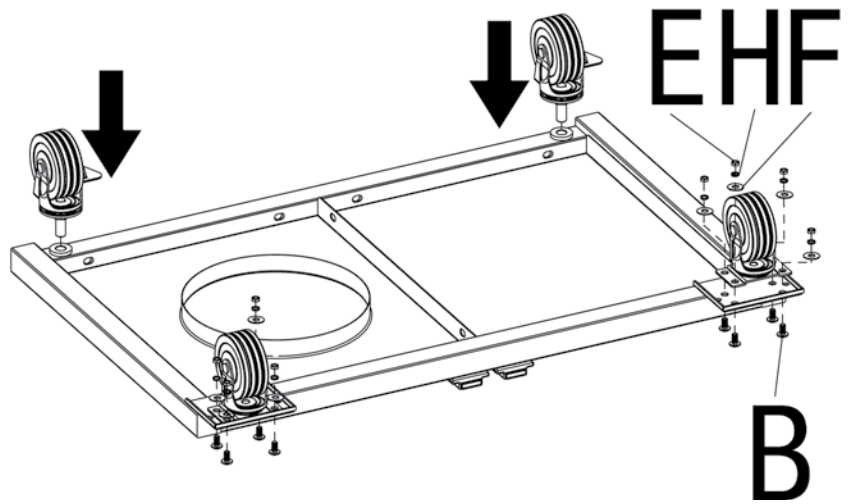
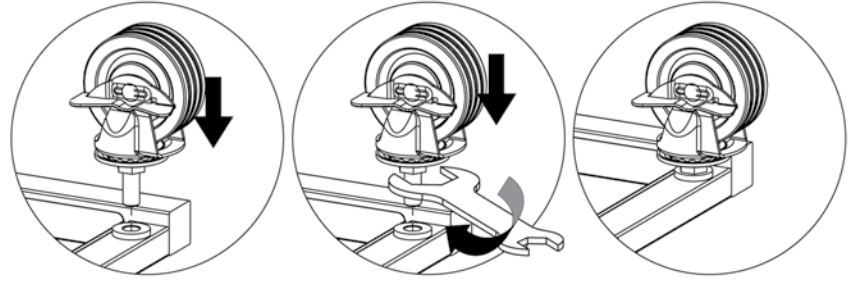
To complete assembly you will need:

- (1) Leak Detection Solution (Instructions on how to make solution are included in the "Operating Instructions" section of this manual)
- **LP:** (1) Precision Filled LP Gas Grill Tank with Acme Type 1 external threaded valve connection (4-5 gallon size)
- **NG:** (1) Natural Gas Conversion Kit, model number VFK1000W (not included)

Typical assembly: approximately 1 (one) hour.

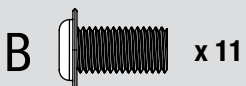
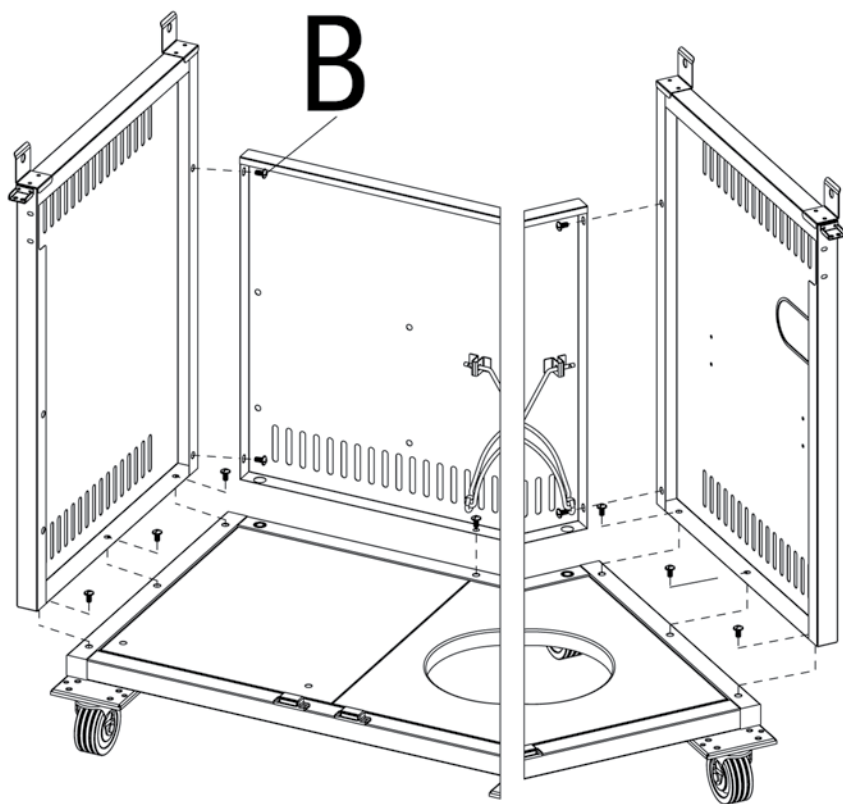
2

### Attach Wheels



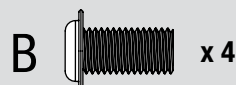
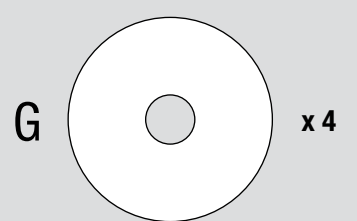
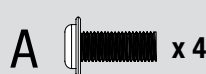
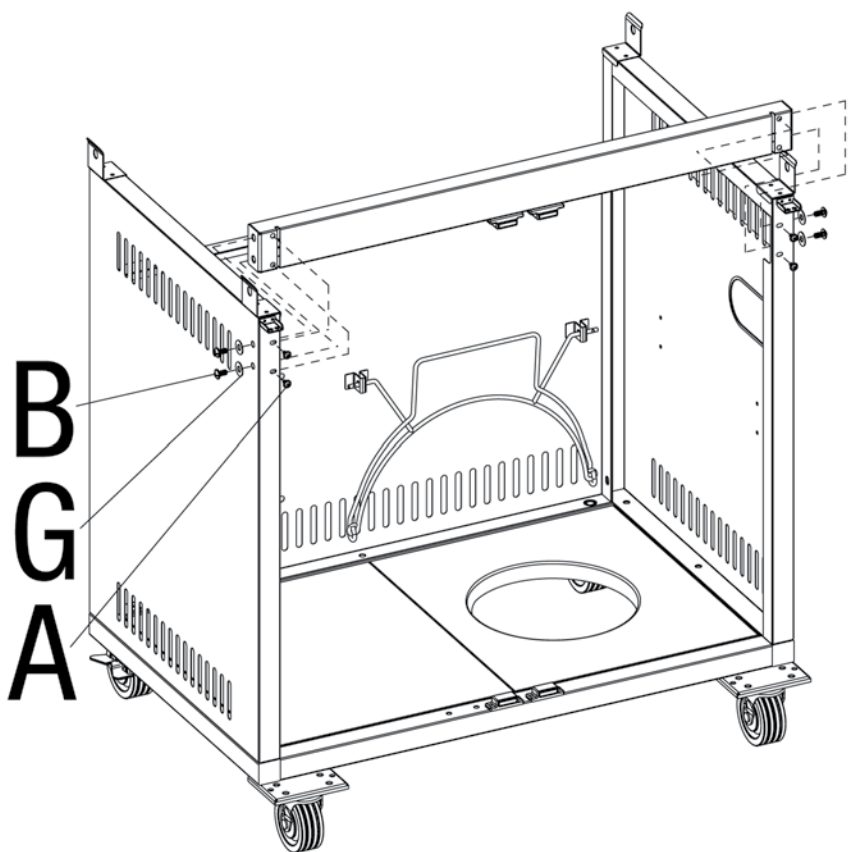
3

### Attach Side Panels and Rear Panel



4

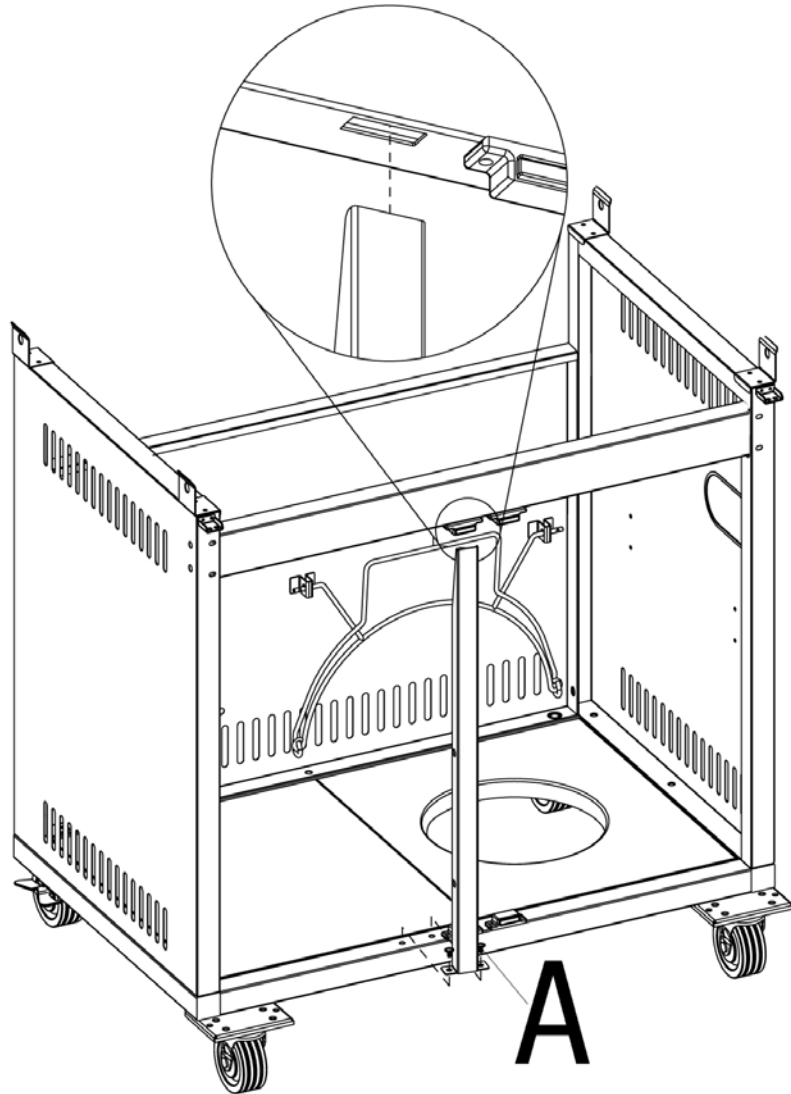
### Attach Front Cart Frame Support

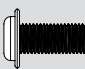




5

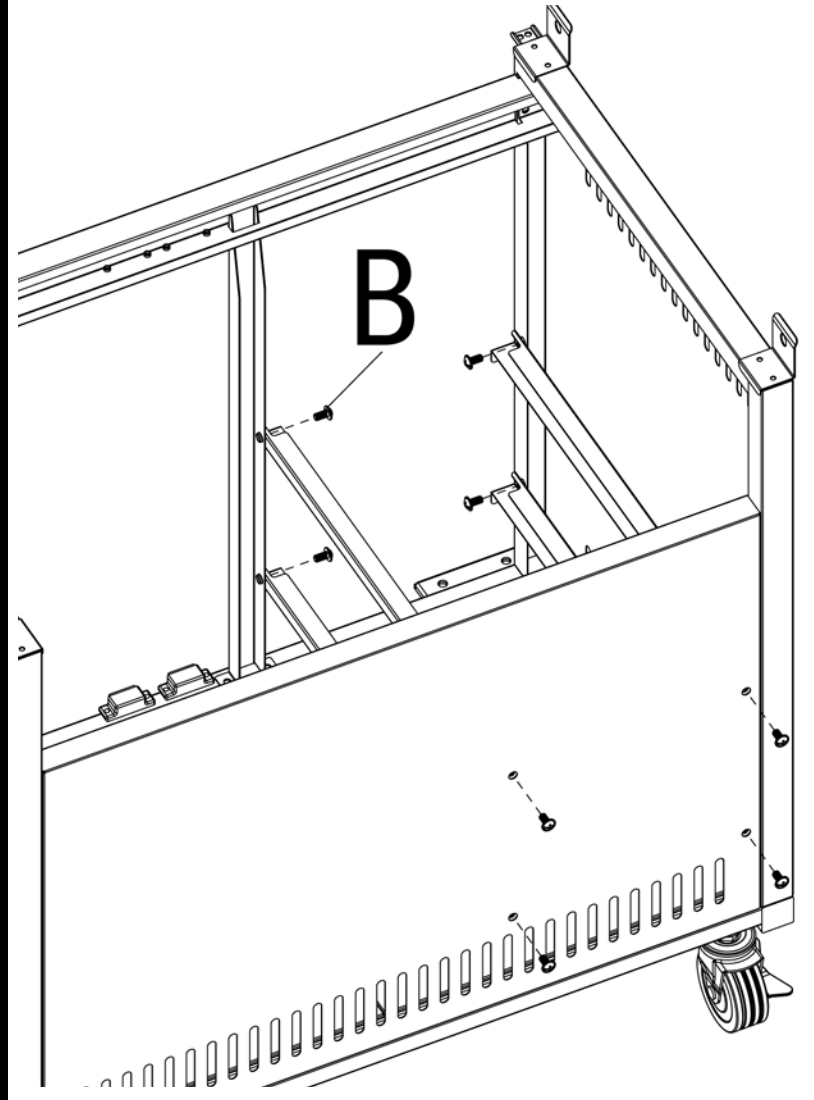
Attach Cart Frame Support

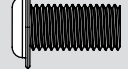


A  x 2

6

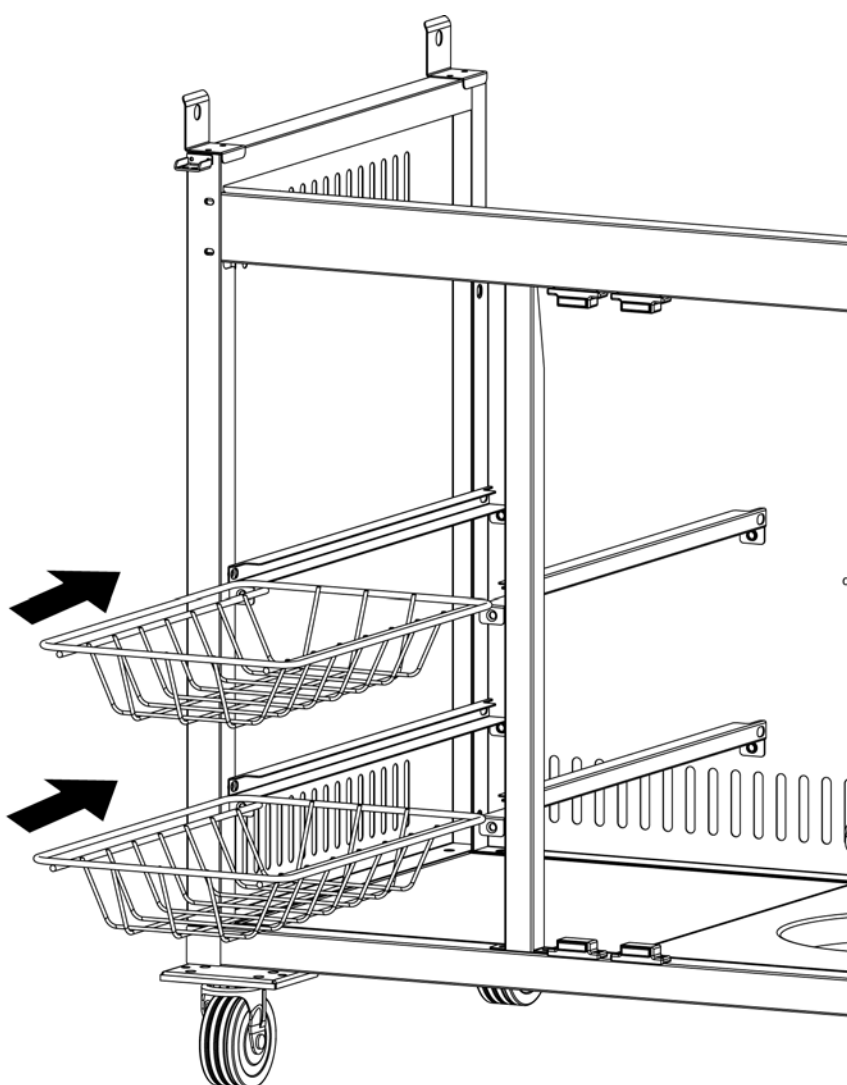
Attach Basket Supports



B  x 8

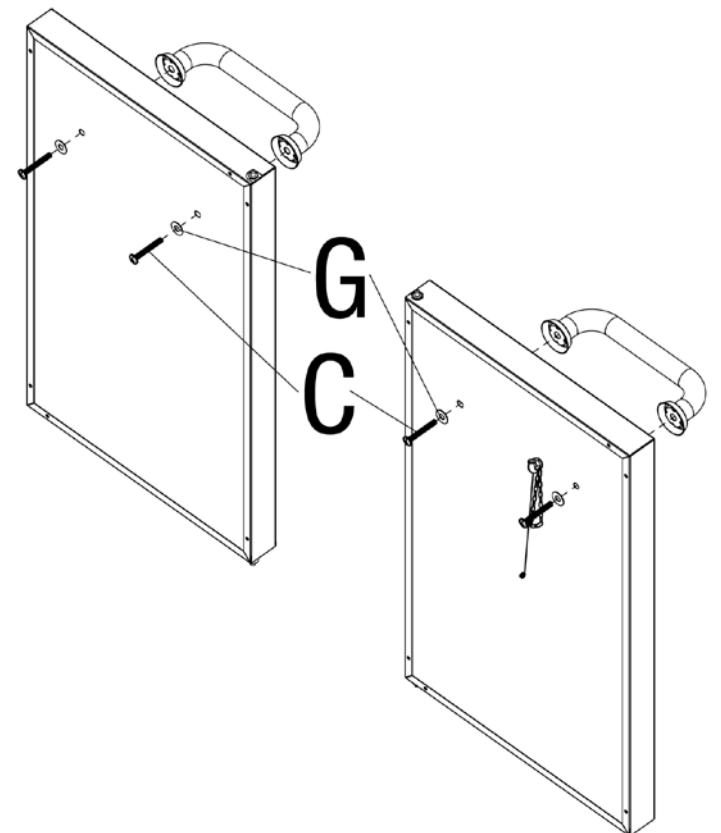
7

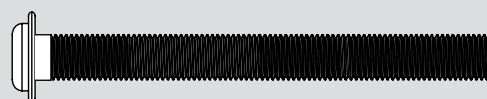
Insert Baskets

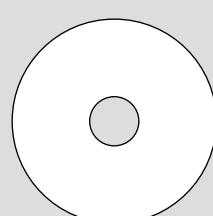


8

Attach Door Handles



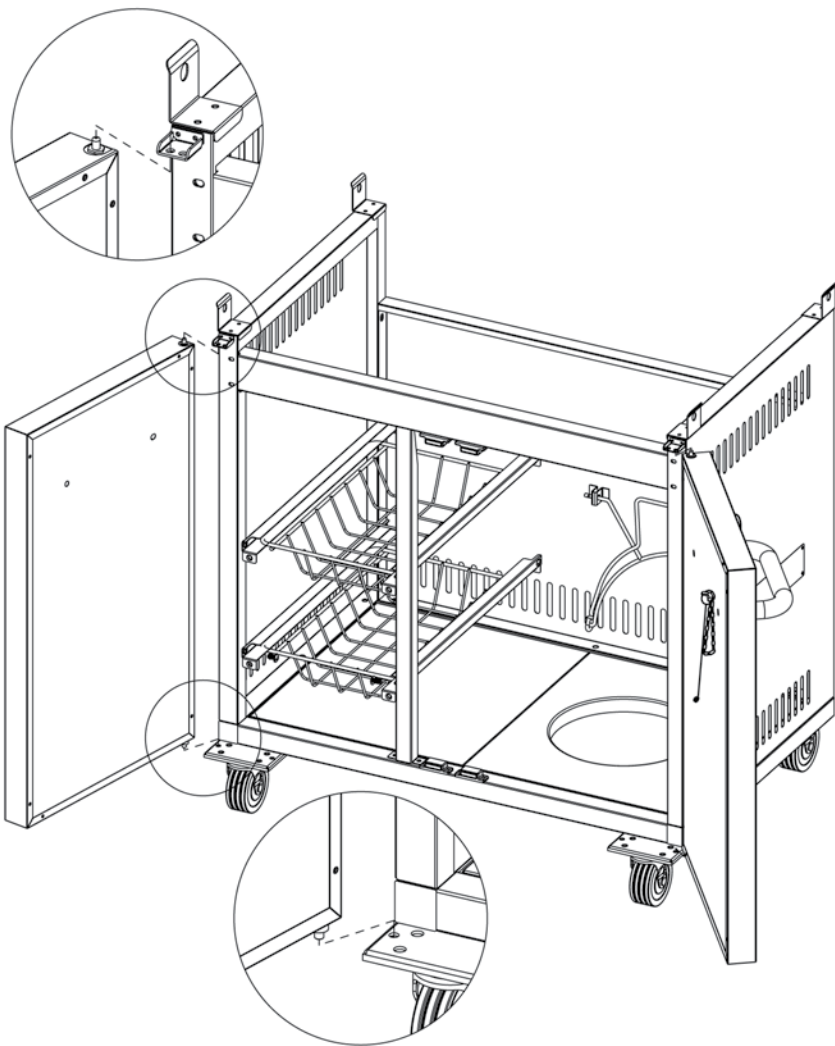
C  x 4

G  x 4

Assembly Instructions (continued)

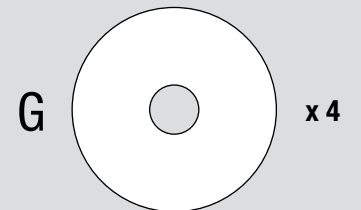
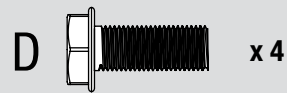
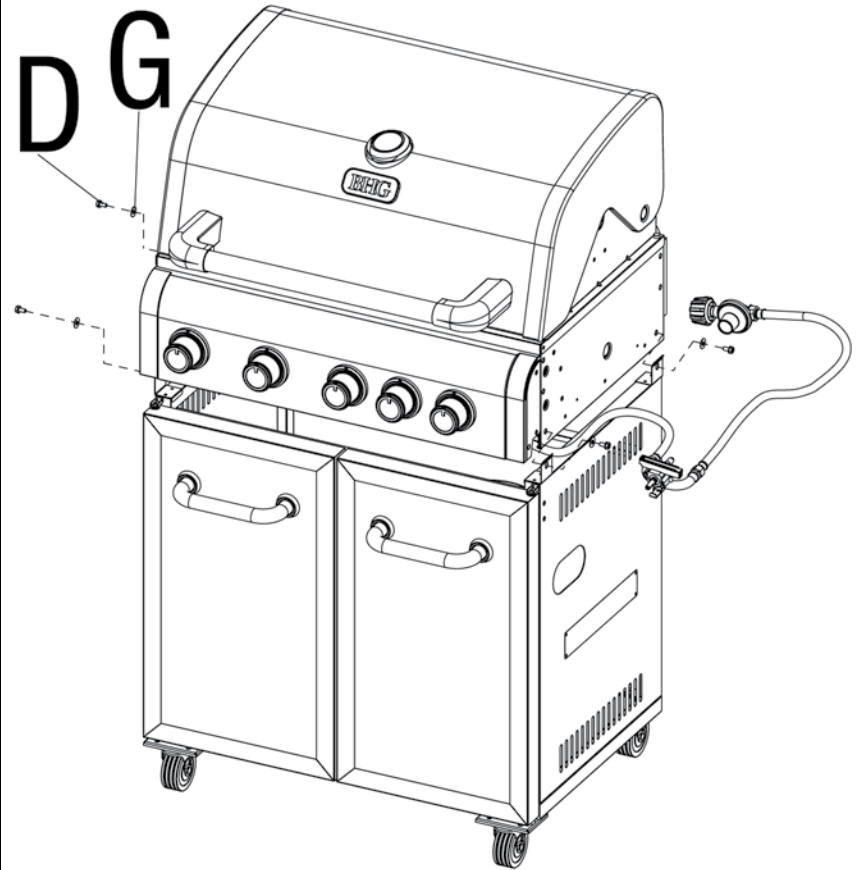
9

Attach Doors



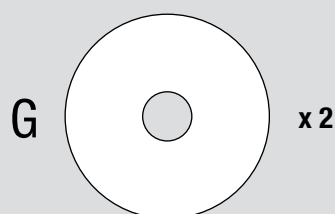
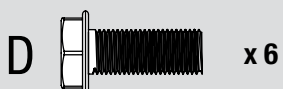
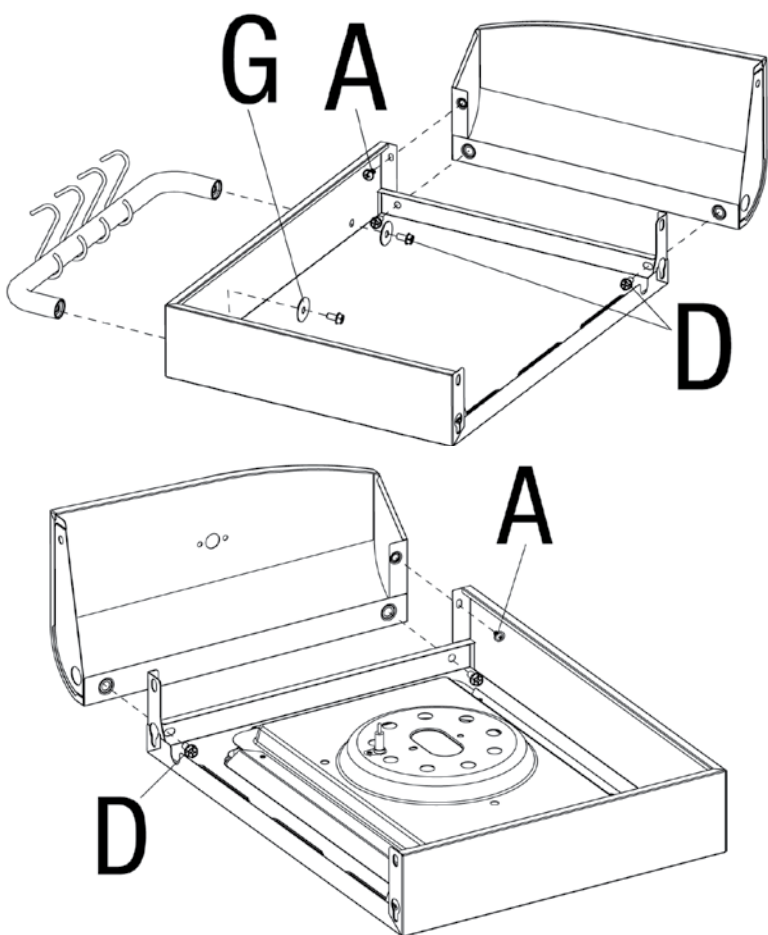
10

Attach Grill Body Assembly



11

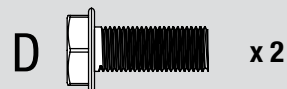
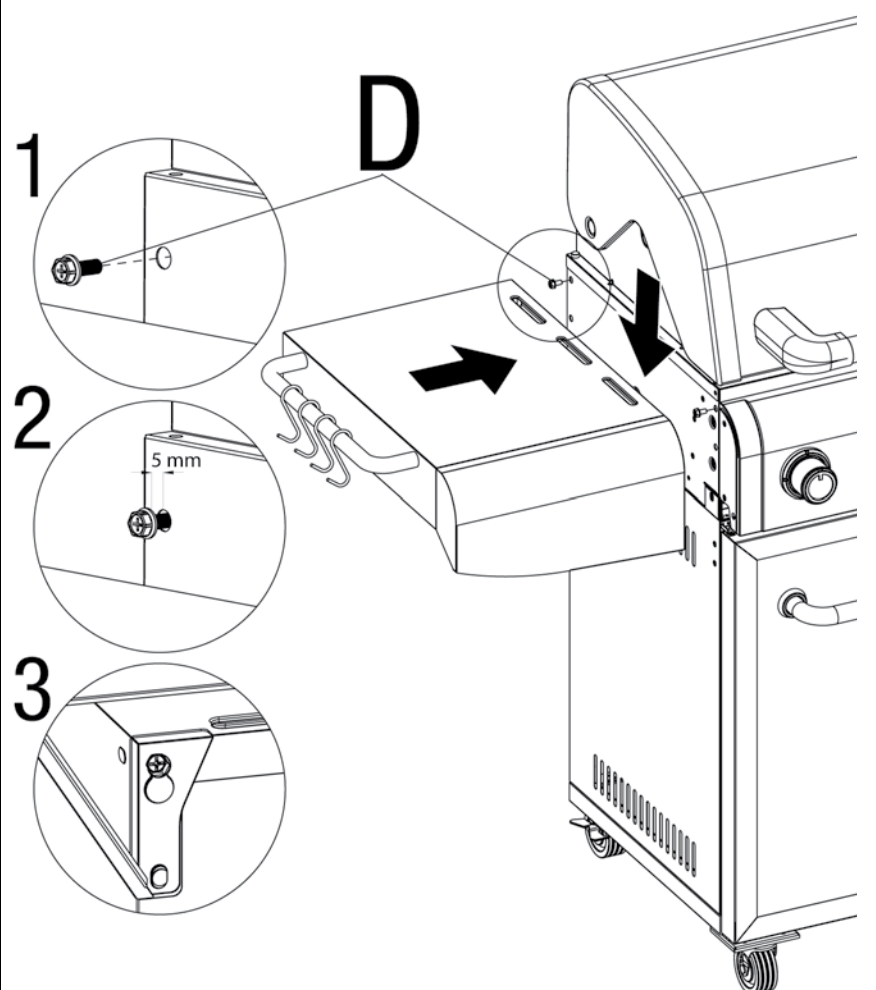
Attach Side Shelf Front Panels and Towel Bar



12

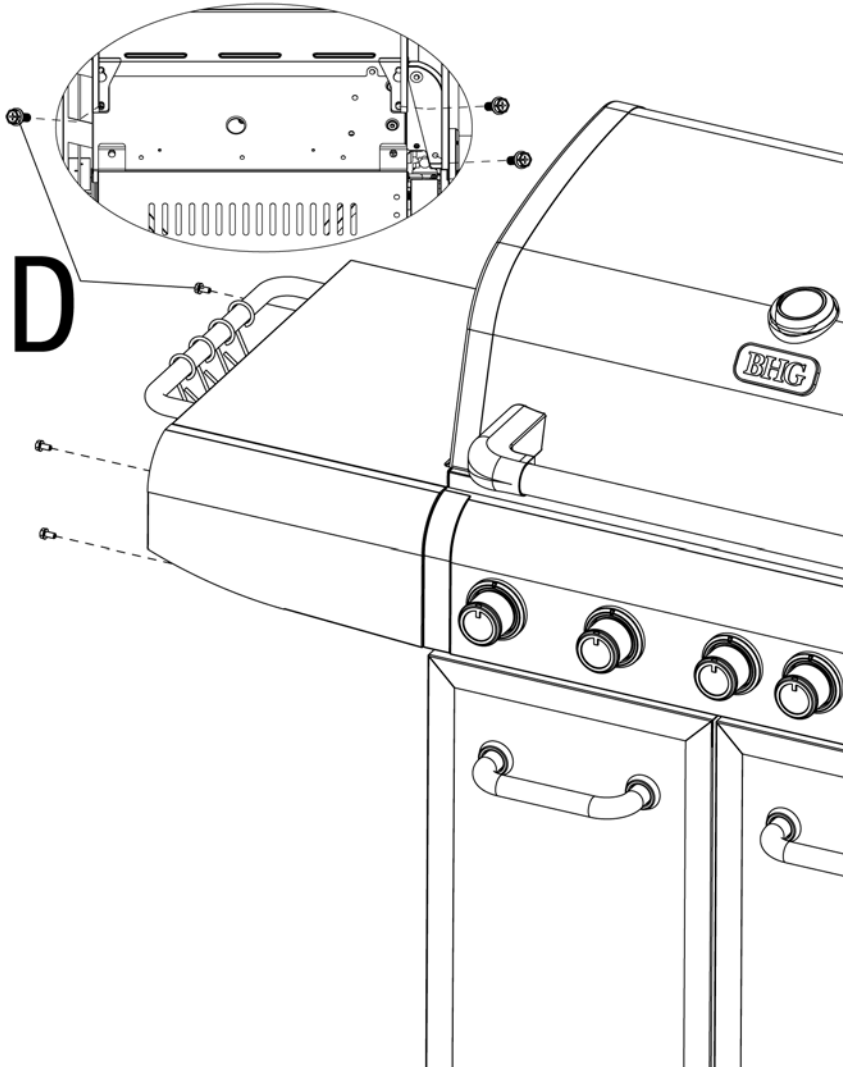
Attach Left Side Shelf

Note: Leave 5 mm of bolt threads exposed.



# 13

## Secure Left Side Shelf

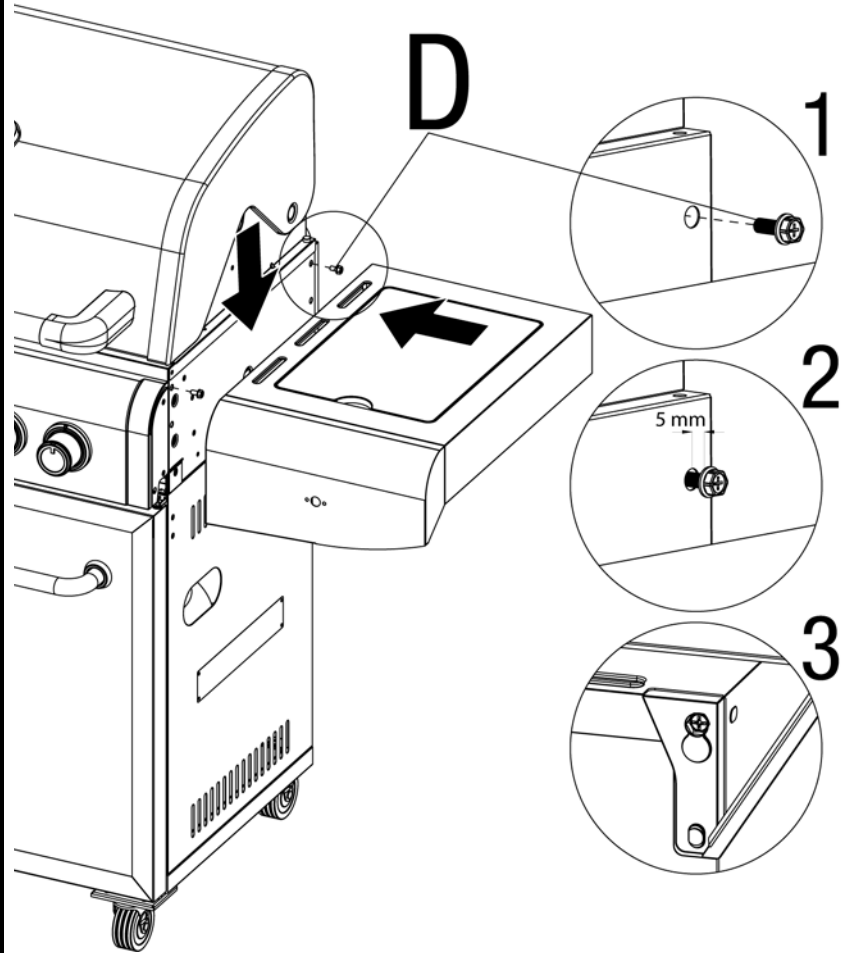


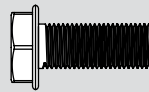
D  x 3

# 14

## Attach Right Side Shelf

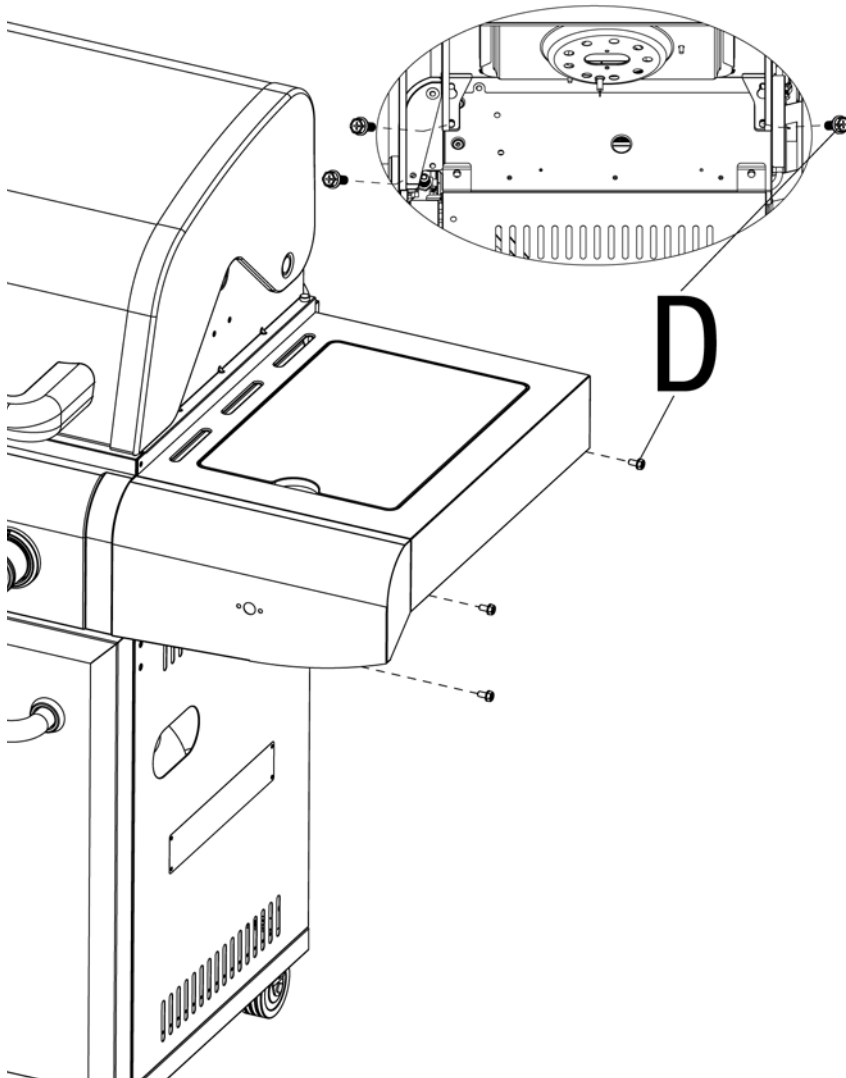
Note: Leave 5 mm of bolt threads exposed.

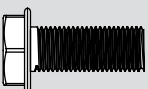


D  x 2

# 15

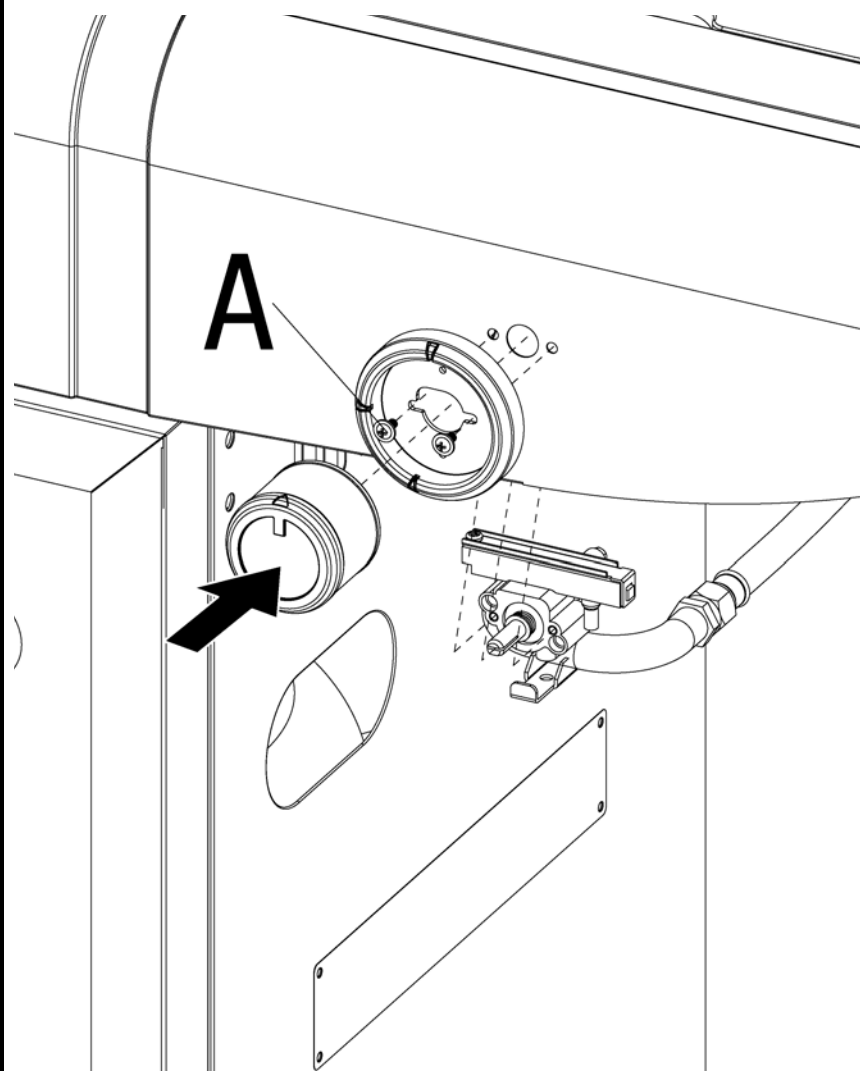
## Secure Right Side Shelf




D  x 3

# 16

## Attach Side Burner Regulator/Control Valve, Control Knob Bezel and Control Knob

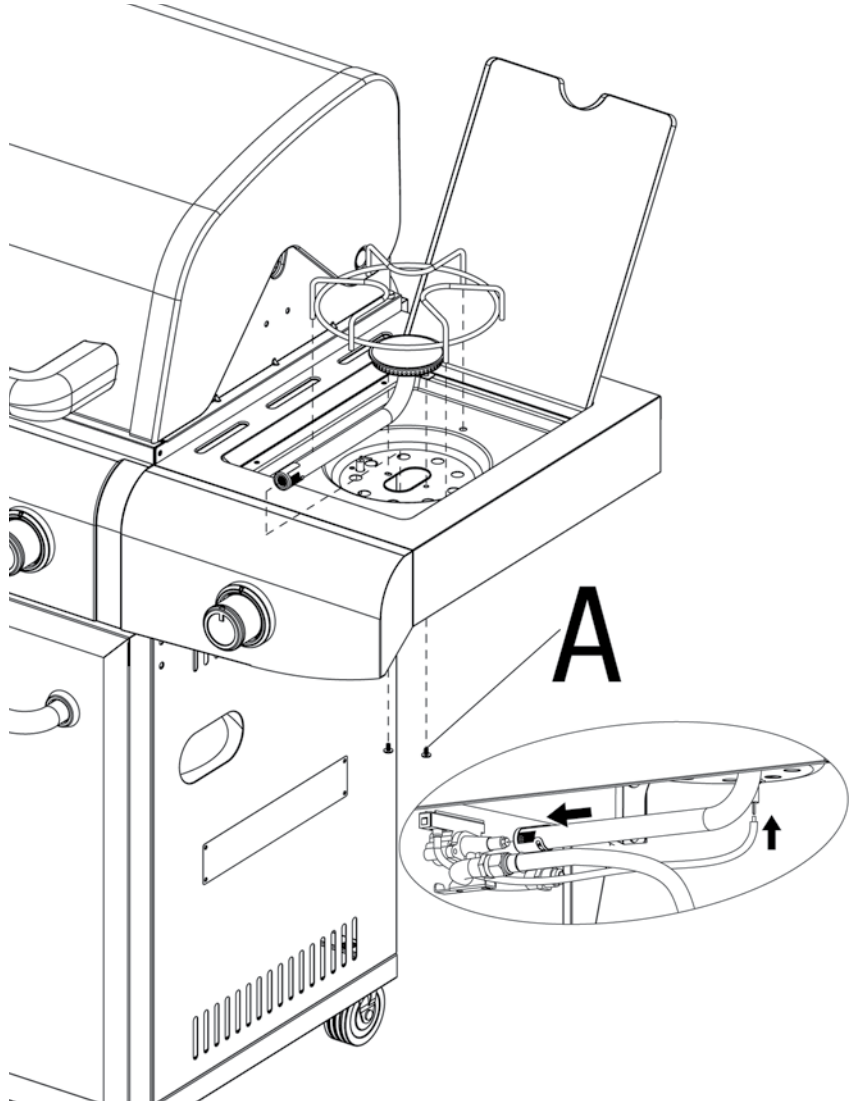


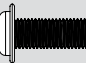
A  x 2



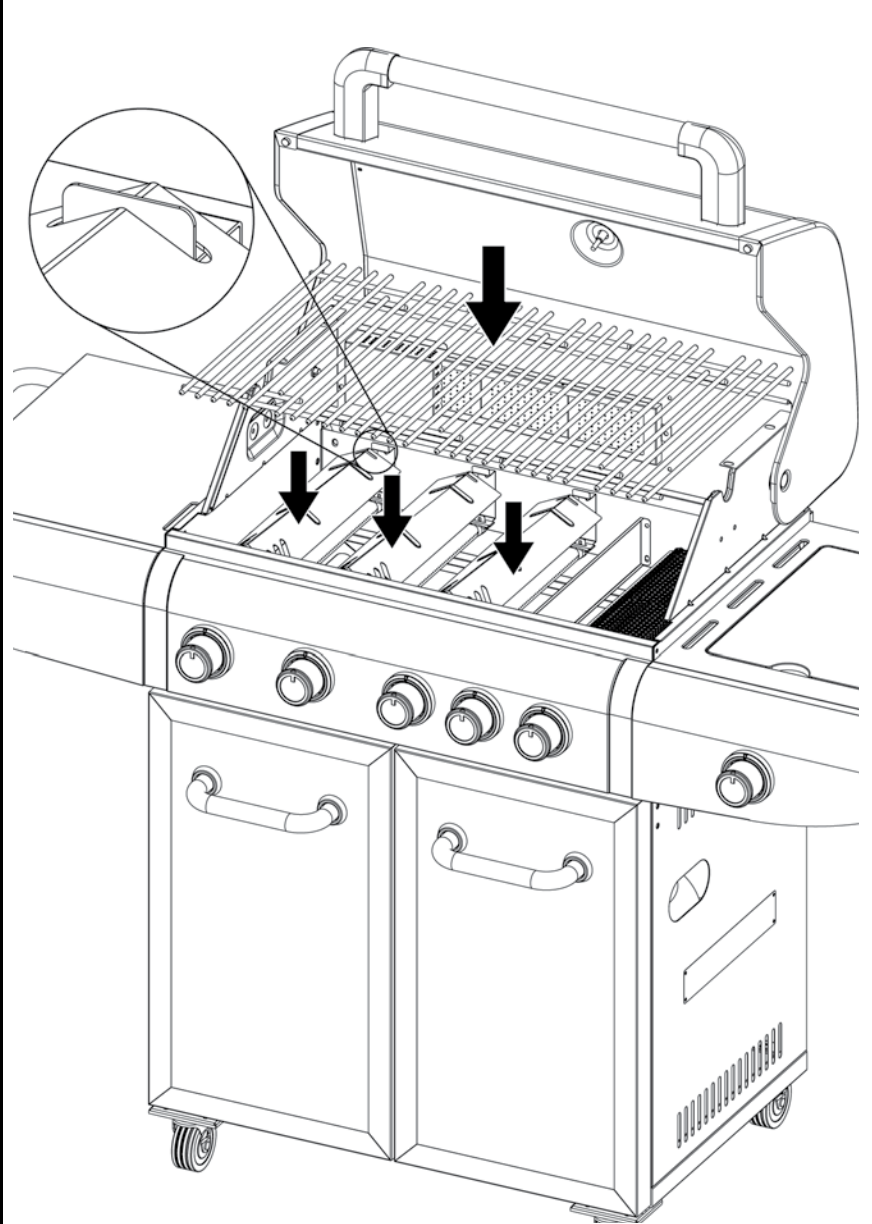
Assembly Instructions (continued)

17 Attach Side Burner, Igniter Wire and Side Burner Grid

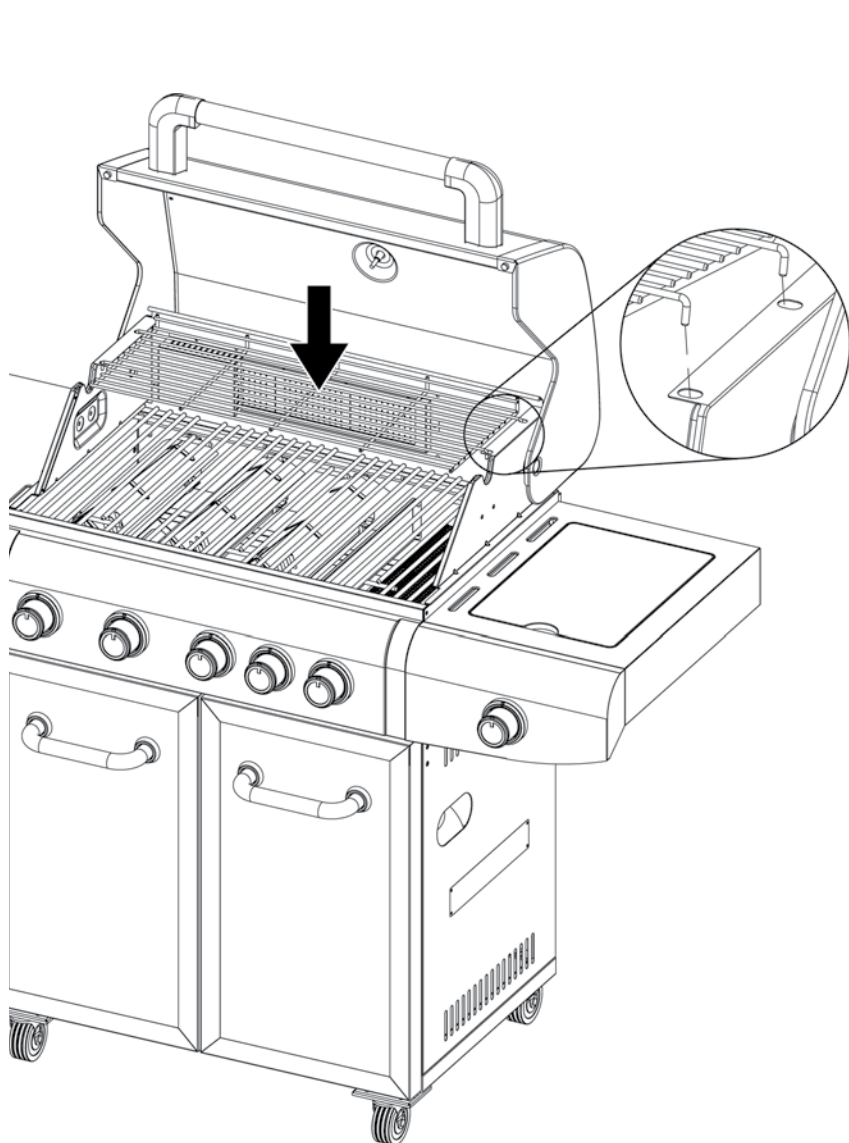


A  x 2

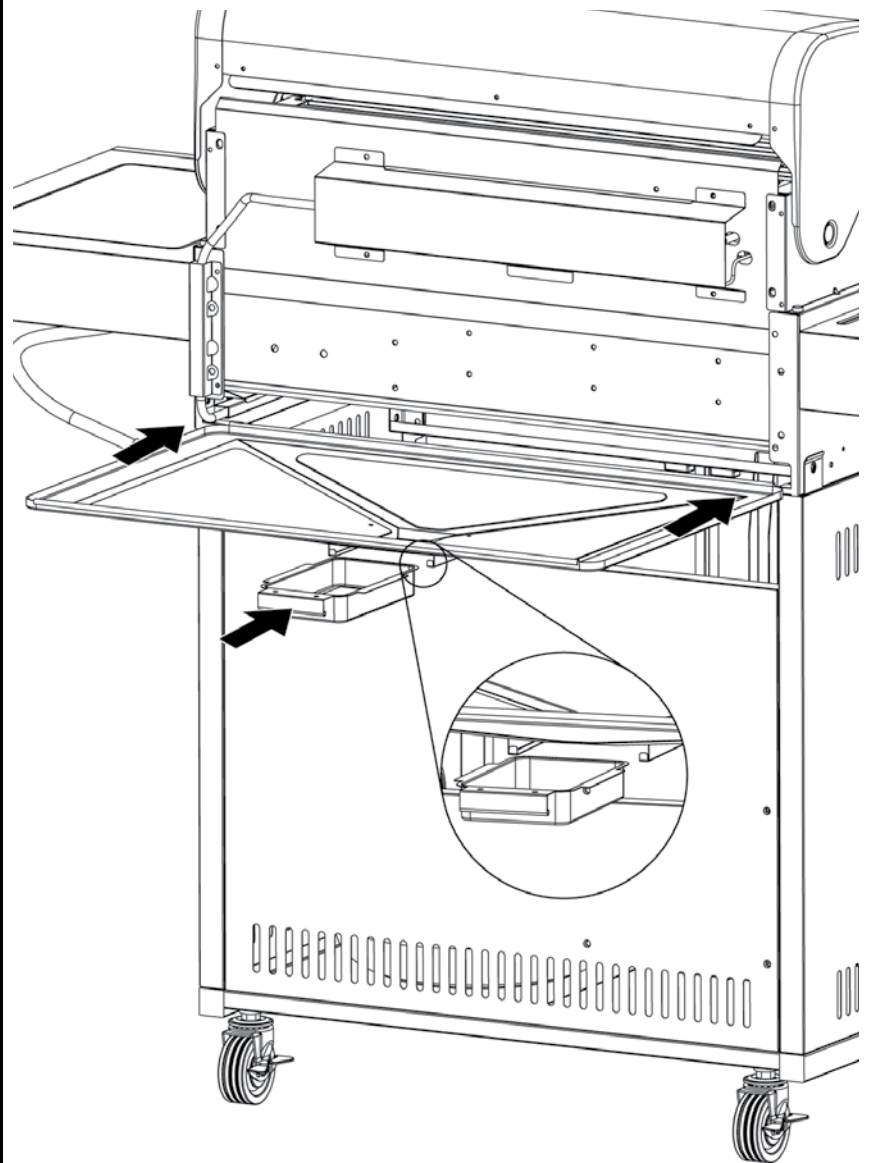
18 Insert Heat Plates and Cooking Grids



19 Insert Warming Rack



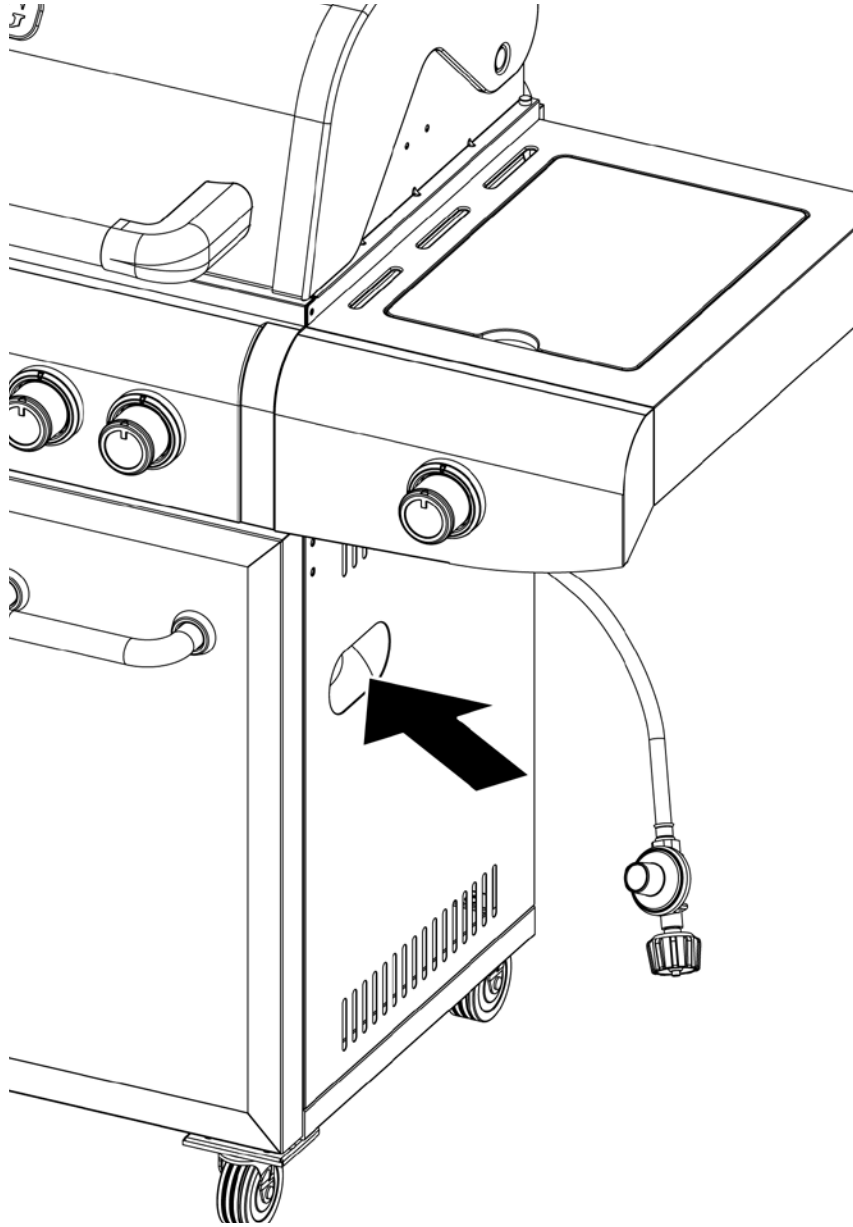
20 Insert Grease Tray and Grease Cup





21

Insert Regulator/Control Valve

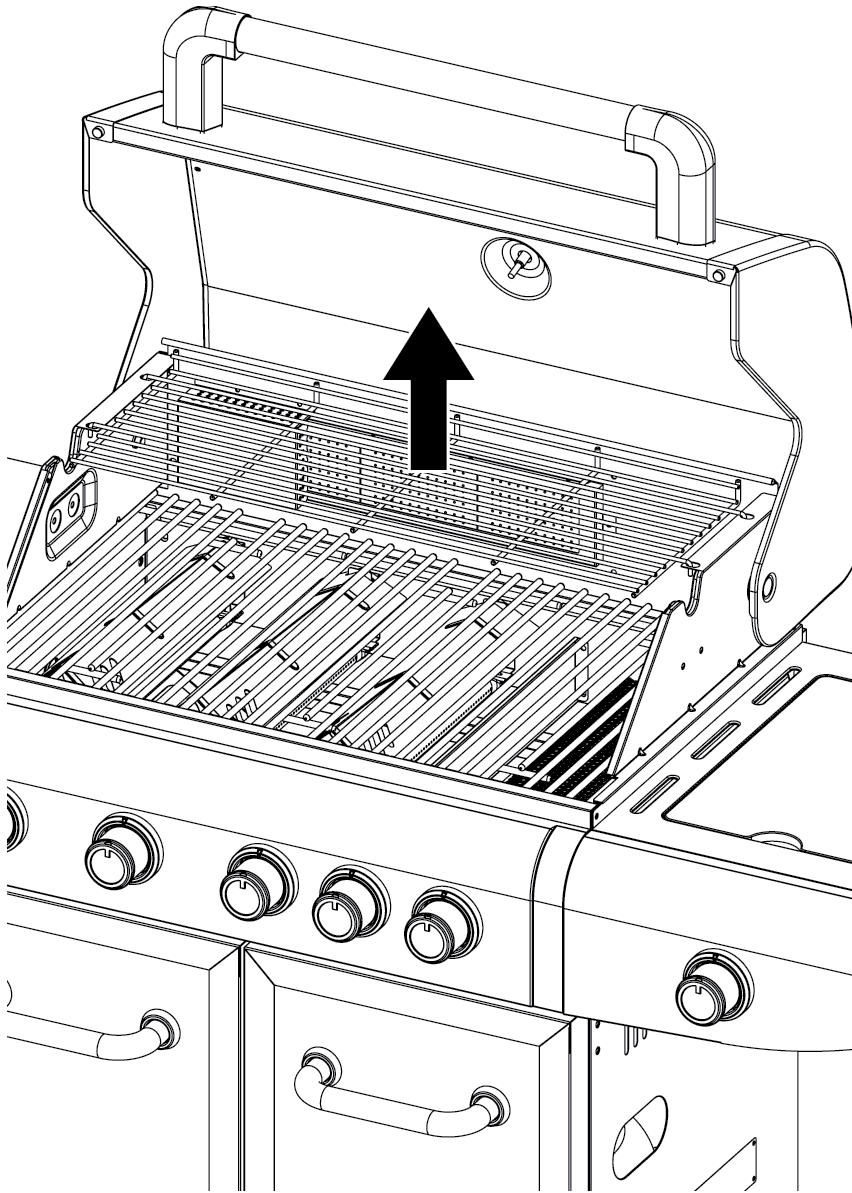


**Natural gas conversion kit is available,  
model number VFK1000W.**

**Assembly Instructions – Rotisserie**

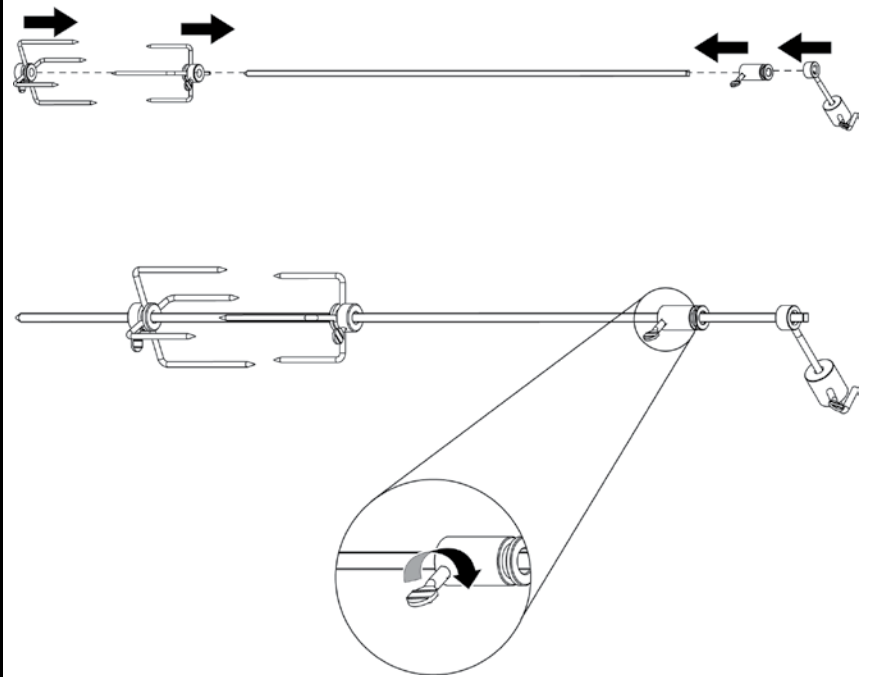
**1**

**Remove Warming Rack**



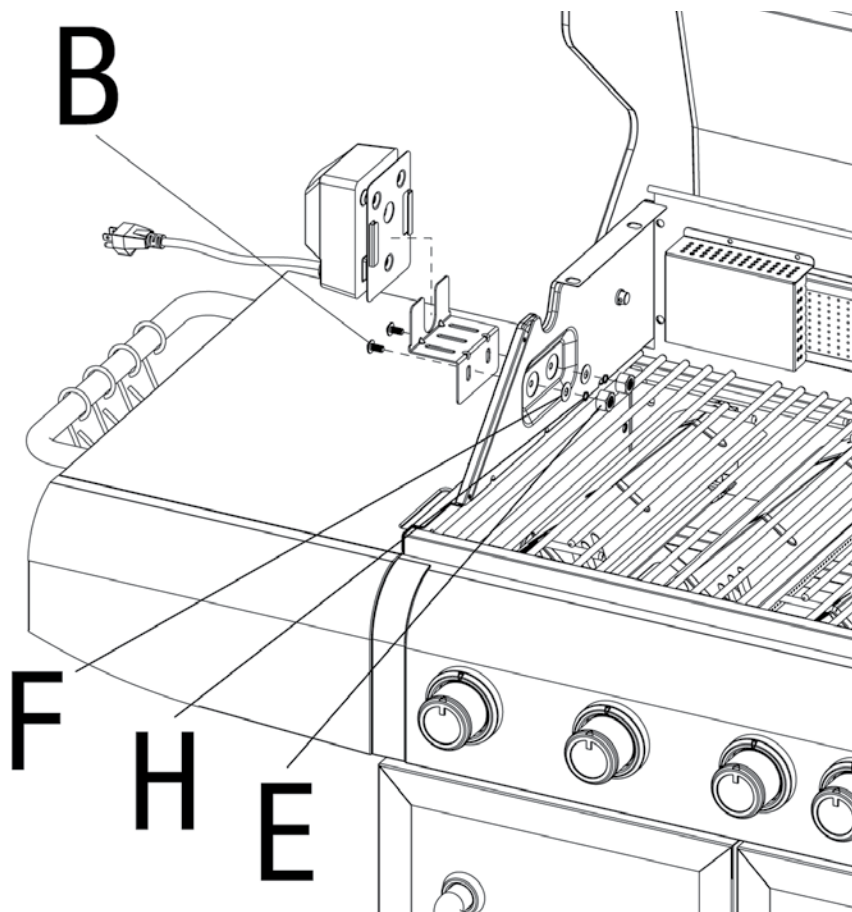
**2**

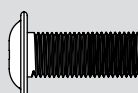



**Assemble Rotisserie Rod**



**3**

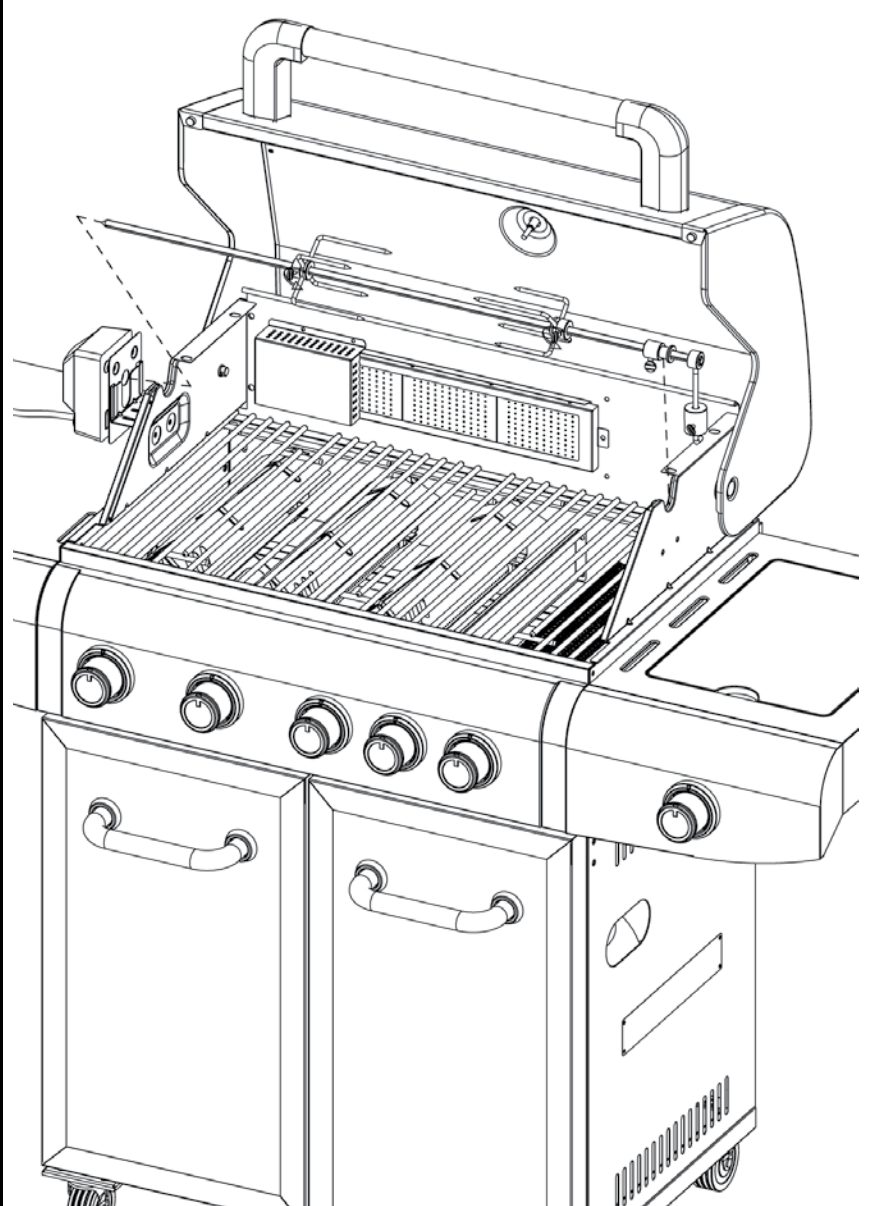
**Attach Rotisserie Motor Support and Rotisserie Motor**



- |          |  |          |  |
|----------|--|----------|--|
| <b>B</b> |  x2 | <b>F</b> |  x2 |
| <b>E</b> |  x2 | <b>H</b> |  x2 |

**4**

**Insert Rotisserie Rod**





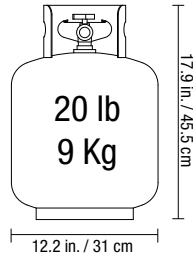
Contact 1.800.762.1142 for assistance. Do not return to place of purchase.  
For great recipes and tips, visit [recipes.uniflame.com](http://recipes.uniflame.com)

## Installing LP Gas Tank

To operate you will need (1) precision-filled standard grill LP gas tank (20#) with external valve threads.

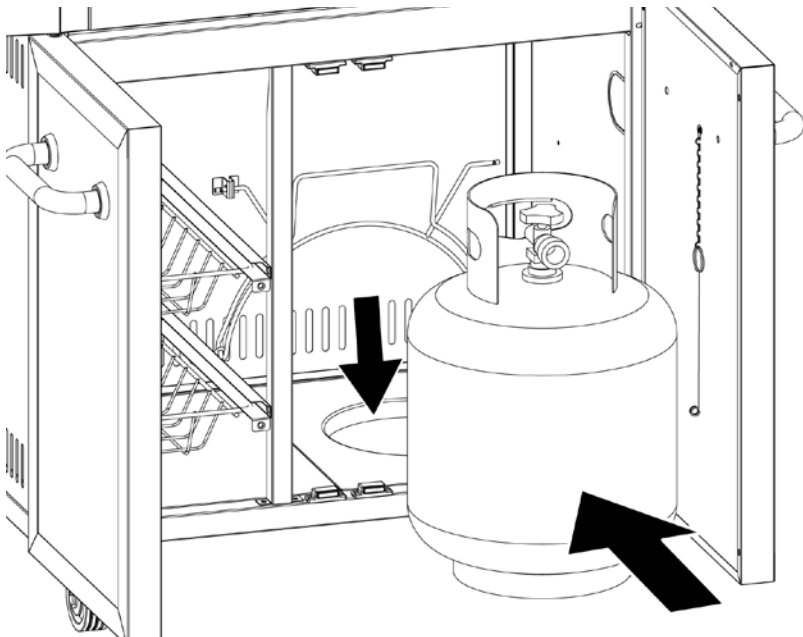
*Note:* An empty standard grill LP gas tank weighs approximately 18 lbs. A precision-filled standard grill LP gas tank should weigh no more than 38 lbs.

**CAUTION:** LP gas tank must be properly disconnected and removed prior to moving this grill.



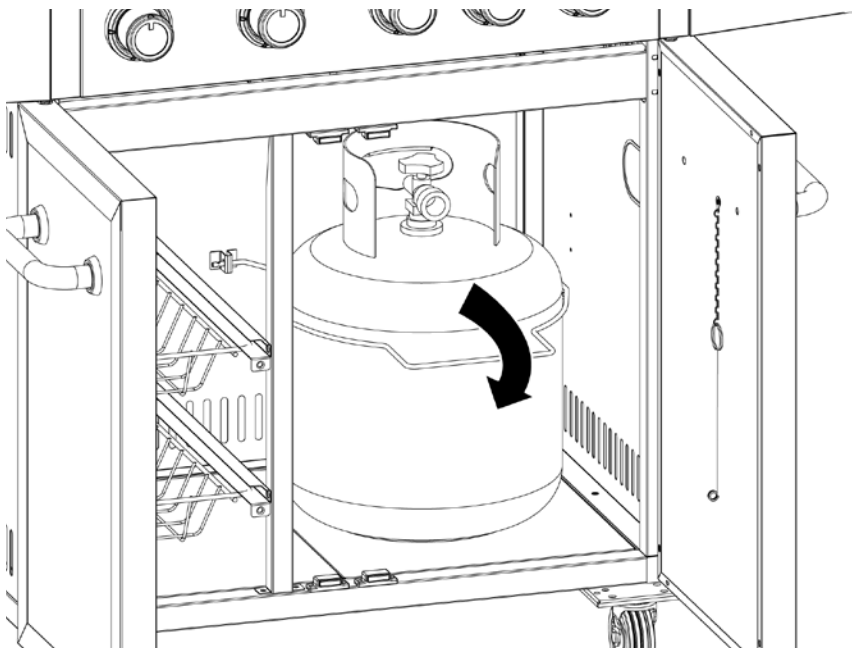
## Insert LP Gas Tank

Place precision filled LP gas tank upright into the notches in the right cart frame so the tank valve is facing the gas line connection.



## Secure LP Gas Tank

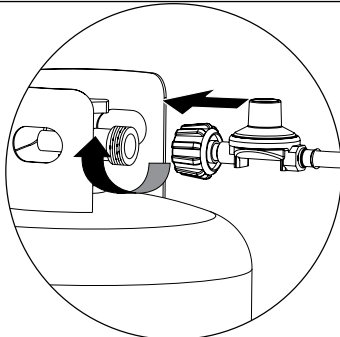
Secure tank by sliding tank retainer wire over shoulder of LP gas tank.



## Connect LP Gas Tank

Before connecting, be sure that there is no debris caught in the head of the LP gas tank, head of the regulator valve or in the head of the burner and burner ports.

Connect regulator/hose assembly to tank by turning knob clockwise until it stops.



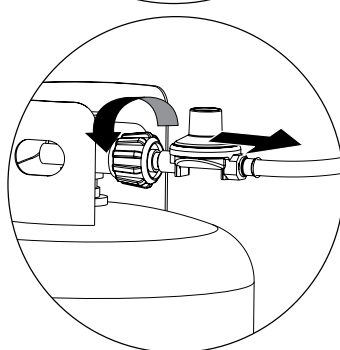
## Disconnect LP Gas Tank

Before disconnecting make sure the LP gas tank valve is "CLOSED".

Disconnect regulator/hose assembly from LP gas tank by turning knob counterclockwise until it is loose.

**CAUTION:** LP gas tank must be properly disconnected and removed prior to moving this grill.

Place the protective cap cover on the LP tank and store the tank outdoors in a well ventilated area out of direct sunlight.



**Need a tank of gas?** Try tank exchange service. It's easy, fast, safe, and available at tens of thousands of conveniently located retail outlets nationwide. You can purchase a new full tank or exchange your empty for a precision filled one.

## Installing Natural Gas Line

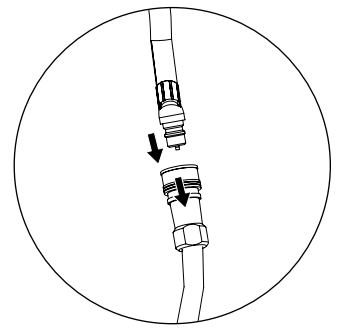
Installation should be done by a qualified service person.

**CAUTION:** If young children are in the area, a locking valve should be considered.

## Connect Natural Gas Line

Before connecting, be sure that there is no debris caught in the head of the natural gas line, head of the grill natural gas line or in the head of the burner and burner ports.

Connect grill natural gas line to natural gas line.



## Disconnect Natural Gas Line

Before disconnecting make sure the natural gas line valve is "OFF".

Disconnect grill natural gas line from natural gas line.

## Operating Instructions

### Checking for Leaks

#### Burner Connections

1. Make sure the regulator valve and hose connections are securely fastened to the burner and the tank.

Visually check the connection between the burner venturi pipe and orifice. Make sure the burner venturi pipe fits over the orifice.

**WARNING:** Failure to inspect this connection or follow these instructions could cause a fire or an explosion which can cause death, serious bodily injury or damage to property.

2. Please refer to diagram for proper installation (Figures 1 and 2).  
3. If the burner pipe does not rest flush to the orifice, please contact 1.800.762.1142 for assistance.

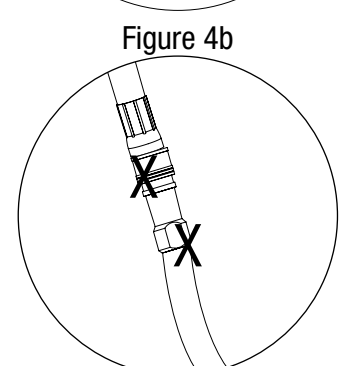
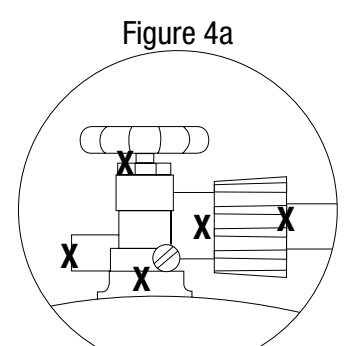
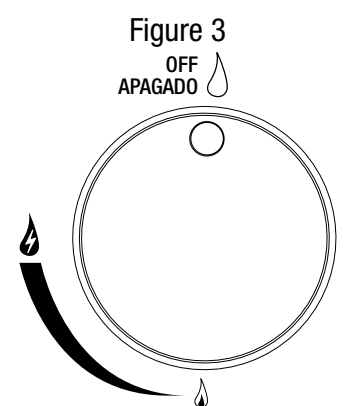
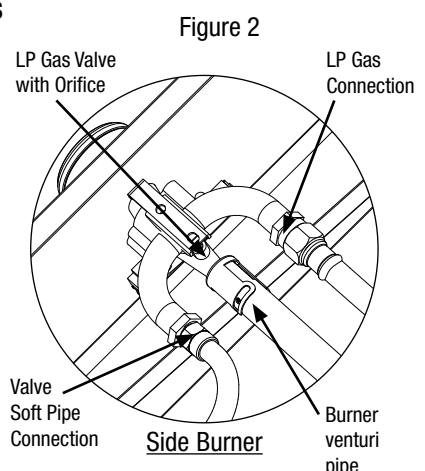
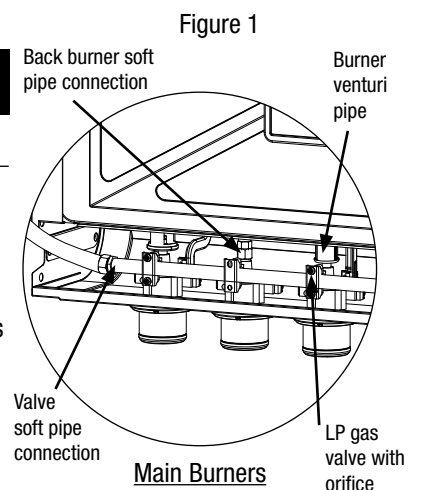
#### Tank/Gas Line Connection

1. Make 2-3 oz. of leak solution by mixing one part liquid dishwashing soap with three parts water.  
2. Make sure control knobs are (OFF) position (Figure 3).  
3. LP: Connect LP gas tank per "Installing LP Gas Tank" section.  
NG: Connect NG main line per "Installing Natural Gas Line" section.  
4. LP: Turn LP gas tank valve to "OPEN".  
NG: Turn "ON" natural gas main valve.  
5. Spoon leak check solution at all "X" locations (Figures 1, 2, 4a and 4b).

a. LP: If any bubbles appear turn LP gas tank valve to "CLOSED", reconnect and re-test.  
NG: If any bubbles appear turn natural gas main valve "OFF", reconnect and re-test.

b. LP: If you continue to see bubbles after several attempts, turn LP gas tank valve to "CLOSED" and disconnect LP gas tank, per "Disconnect LP Gas Tank" instructions, and contact 1.800.762.1142 for assistance.  
NG: If you continue to see bubbles after several attempts, turn natural gas main valve "OFF" and disconnect natural gas line and contact 1.800.762.1142 for assistance.

c. LP: If no bubbles appear after one minute turn LP gas tank valve "CLOSED", wipe away solution and proceed.  
NG: If no bubbles appear after one minute turn natural gas main valve "OFF", wipe away solution and proceed.



## Operating Instructions (continued)

### Operating Main Burners

#### First Use

1. Make sure all labels, packaging and protective films have been removed from the grill.
2. Remove manufacturing oils before cooking on this grill for the first time by operating the grill for at least 15 minutes on 🔥 (HIGH) with the lid closed. This will "heat clean" the internal parts and dissipate odors.

#### Lighting Instructions

▲ **CAUTION: Keep outdoor gas cooking appliance area clear and free from combustible materials, gasoline and other flammable vapors and liquids.**

▲ **CAUTION: Do not obstruct the flow of combustion and ventilation air.**

▲ **CAUTION: Check and clean burner/venturi tubes for insects and insect nests. A clogged tube can lead to a fire beneath the grill.**

▲ **CAUTION: Attempting to light the burner with the lid closed may cause an explosion.**

1. Open lid.
2. Make sure there are no obstructions of airflow to the burners. Spiders and insects can nest within and clog the burner / venturi tube at the orifice. A clogged burner tube can lead to a fire beneath the appliance.
3. All control knobs must be in the 🔻 (OFF) position (Figure 3).
4. LP: Connect LP gas tank per "Installing LP Gas Tank" section.  
NG: Connect NG main line per "Installing Natural Gas Line" section.
5. LP: Turn LP gas tank valve to "OPEN".  
NG: Turn "ON" natural gas main valve.
6. Push and turn control knob slowly to 🔥 (HIGH) until a click is heard. The burner should light. If the burner does not light, repeat up to three times.
7. If ignition does not occur in 5 seconds, turn burner control knob 🔻 (OFF), wait 5 minutes, and repeat lighting procedure.
8. If igniter does not light burner, use a lit match secured with the lighting rod provided to light burners manually. Access the burners through the cooking grid and heat plates. Position the lit match near side of the burner (Figure 5).

**Important:** Always use the lighting rod provided when lighting burners with a match.

9. After lighting, observe the burner flame, make sure all burner ports are lit and flame height matches illustration (Figure 6).

*Note:* Each burner lights independently - repeat steps 5-9 for the other burners.

▲ **CAUTION: If burner flame goes out during operation, immediately turn the control knobs to the 🔻 (OFF) position**  
**(a) LP gas tank valve "CLOSED" or**  
**(b) NG main valve "OFF"**  
**and open lid to let the gas clear for 5 minutes before re-lighting.**

#### Turning Off

1. LP: Turn LP gas tank valve to "CLOSED".  
NG: Turn "OFF" natural gas main valve.
2. Turn all control knobs clockwise to the 🔻 (OFF) position.  
*Note:* A "poof" sound is normal as the last of the gas is burned.
3. LP: Disconnect LP gas tank per "Disconnect LP Gas Tank" instructions.  
NG: Keep main gas line connected.

#### Direct Cooking

▲ **CAUTION: Do not leave grill unattended while preheating, cooking or burning off food residue on 🔥 (HIGH). If grill has not been cleaned, a grease fire can occur.**

Cooking directly over lit burners is ideal for searing in juices and grilling food requiring less than 25 minutes of grilling time, such as steaks, hamburgers, hot dogs, chicken parts, vegetables and fruit.

1. Open lid and ignite the desired burner(s) per "Lighting Instructions" section..
2. Close lid and preheat grill on 🔥 (HIGH).
3. Wear protective gloves and use long handle tongs to place food onto cooking grids above the lit burners.
4. Adjust controls to desired flame height.
5. With lid open or closed, cook until desired internal food temperatures are achieved.
6. Turn grill OFF per "Turning Off" instructions.

For more tips on direct cooking please see "Tips for Better Cookouts and Longer Grill Life"

Figure 5

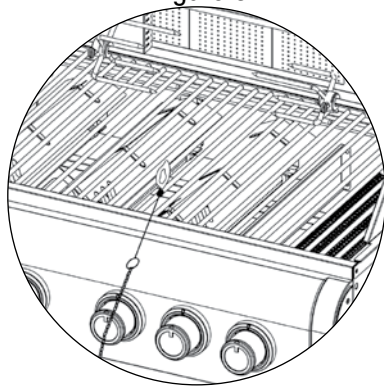
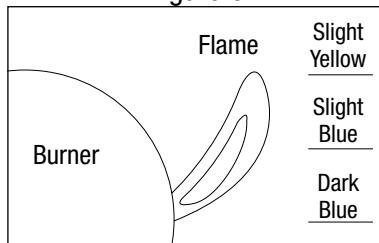


Figure 6



#### Indirect Cooking

▲ **CAUTION: Do not leave grill unattended while preheating, cooking or burning off food residue on 🔥 (HIGH). If grill has not been cleaned, a grease fire can occur.**

Not cooking directly over lit burners is ideal for slow cooking and foods requiring more than 25 minutes such as most roasts, loins, chops, whole chickens, turkey, fish and baked goods.

1. Open lid and ignite the desired burner(s) per "Lighting Instructions" section..
2. Close lid and preheat grill on 🔥 (HIGH).
3. Wear protective gloves and use long handle tongs to place food onto cooking grids above the un-lit burners.
4. Adjust controls to desired flame height.
5. With lid closed, cook until desired internal food temperatures are achieved.
6. Turn grill OFF per "Turning Off" instructions.

For more tips on indirect cooking please see "Tips for Better Cookouts and Longer Grill Life"

#### Controlling Flare-ups

▲ **CAUTION: Putting out grease fires by closing the lid is not possible.**

- If a grease fire develops, turn knobs 🔻 (OFF) position  
**(a) LP gas tank valve "CLOSED" or**  
**(b) NG main valve "OFF"**

**Do not use water on a grease fire. This can cause the grease to splatter and could result in serious burns, bodily harm or other damage.**

- **Do not leave grill unattended while preheating or burning off food residue on 🔥 (HIGH). If grill has not been cleaned, a grease fire can occur that may damage the product.**

▲ **WARNING: When cooking, fire extinguishing materials shall be readily accessible. In the event of an oil/grease fire. Use type BC dry chemical fire extinguisher or smother with dirt, sand or baking soda. Do not attempt to extinguish with water.**

Flare-ups are a part of cooking meats on a grill, and adds to the unique flavor of grilling. **Excessive flare-ups can over-cook your food and cause a dangerous situation for you and your grill.**

**Important:** Excessive flare-ups result from the build-up of grease in the bottom of your grill.

#### Minimize Flare-ups:

1. Trim excess fat from meats prior to cooking.
2. Cook high fat contents meats on 🔻 (LOW) setting or indirectly.
3. Ensure that your grill is on hard, level, non-combustible surface and the grease is allowed to drain into grease cup.

### Operating Infrared Sear Burner

#### First Use

1. Make sure all labels, packaging and protective films have been removed from the grill.
2. Remove manufacturing oils before cooking on this grill for the first time by operating the grill for at least 15 minutes on 🔥 (HIGH) with the lid closed. This will "heat clean" the internal parts and dissipate odors.

#### Lighting

▲ **Caution: Keep outdoor gas cooking appliance area clear and free from combustible materials, gasoline and other flammable vapors and liquids.**

▲ **Caution: Do not obstruct the flow of combustion and ventilation air.**

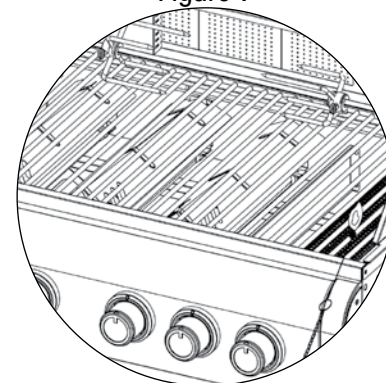
▲ **Caution: Check and clean burner/venturi tubes for insects and insect nests. A clogged tube can lead to a fire beneath the grill.**

▲ **Caution: Attempting to light the burner with the lid closed may cause an explosion.**

NOTE: Infrared sear burner can be used while main burners are operating.

1. Open lid. **Attempting to light the burner with the lid closed may cause an explosion!**
2. Make sure there are no obstructions of airflow to the burner. Spiders and insects can nest within and clog the burner / venturi tube at the orifice. A clogged burner tube can lead to a fire beneath the appliance.
3. Control knob must be in the 🔻 (OFF) position (Figure 3).
4. LP: Connect LP gas tank per "Installing LP Gas Tank" section.  
NG: Connect NG main line per "Installing Natural Gas Line" section.
5. LP: Turn LP gas tank valve to "OPEN".  
NG: Turn "ON" natural gas main valve.
6. Push and turn control knob slowly to 🔥 (HIGH) until a click is heard. The burner should light. If the burner does not light, repeat up to three times.  
*Note:* Infrared Burner should turn red after 2 to 3 minutes.

Figure 7





Contact 1.800.762.1142 for assistance. Do not return to place of purchase.  
For great recipes and tips, visit [recipes.uniflame.com](http://recipes.uniflame.com)

- If ignition does not occur in 5 seconds, turn burner control knob  $\Delta$  (OFF), wait 5 minutes and repeat lighting procedure.
- If igniter does not light burner, use a lit match secured with the lighting rod provided to light burner manually. Position the lit match near side of the burner (Figure 7).

**Important:** Always use the lighting rod provided when lighting burners with a match.

**▲ CAUTION: If burner flame goes out during operation, immediately turn the control knobs to the  $\Delta$  (OFF) position**  
**(a) LP gas tank valve "CLOSED" or**  
**(b) NG main valve "OFF"**  
**and open lid to let the gas clear for 5 minutes before re-lighting.**

#### Turning Off

- LP: Turn LP gas tank valve to "CLOSED".  
NG: Turn "OFF" natural gas main valve.
- Turn all control knobs clockwise to the  $\Delta$  (OFF) position.  
*Note:* A "poof" sound is normal as the last of the gas is burned.
- LP: Disconnect LP gas tank per "Disconnect LP Gas Tank" instructions.  
NG: Keep main gas line connected.

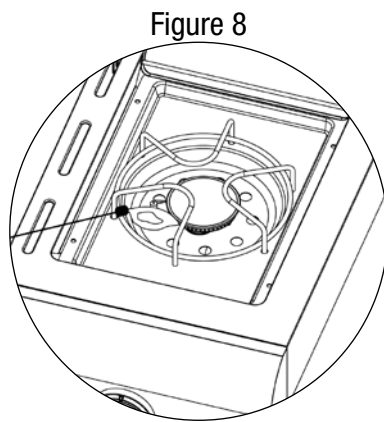
### Operating Side Burner

*NOTE:* Side burner can be used while main burners are operating.  
Never use side burner as a grill.

- ▲ CAUTION: Maximum load for sideburner and side shelf is 33 lbs.**
- ▲ CAUTION: Using pots larger than 6 quarts in capacity could exceed weight limit of the side burner shelf, resulting in failure of grill cart components.**
- ▲ CAUTION: DO NOT lean on the side burner shelf.**

#### Lighting

- Open lid. **Attempting to light the burner with the lid closed may cause an explosion!**
- Make sure there are no obstructions of airflow to the burner. Spiders and insects can nest within and clog the burner / venturi tube at the orifice. A clogged burner tube can lead to a fire beneath the appliance.
- Control knob must be in the  $\Delta$  (OFF) position (Figure 3).
- LP: Connect LP gas tank per "Installing LP Gas Tank" section.  
NG: Connect NG main line per "Installing Natural Gas Line" section.
- LP: Turn LP gas tank valve to "OPEN".  
NG: Turn "ON" natural gas main valve.
- Push and turn control knob slowly to  $\Delta$  (HIGH) until a click is heard. The burner should light. If the burner does not light, repeat up to three times.
- If ignition does not occur in 5 seconds, turn burner control knob  $\Delta$  (OFF), wait 5 minutes and repeat lighting procedure.
- If igniter does not light burner, use a lit match secured with the lighting rod provided to light burner manually. Position the lit match near side of the burner (Figure 8).



**Important:** Always use the lighting rod provided when lighting burners with a match.

- After lighting, observe the burner flame, make sure all burner ports are lit and flame height matches illustration (Figure 6).

**▲ CAUTION: If burner flame goes out during operation, immediately turn the control knobs to the  $\Delta$  (OFF) position**  
**(a) LP gas tank valve "CLOSED" or**  
**(b) NG main valve "OFF"**  
**and open lid to let the gas clear for 5 minutes before re-lighting.**

#### Turning Off

- LP: Turn LP gas tank valve to "CLOSED".  
NG: Turn "OFF" natural gas main valve.
- Turn all control knobs clockwise to the  $\Delta$  (OFF) position.  
*Note:* A "poof" sound is normal as the last of the gas is burned.
- LP: Disconnect LP gas tank per "Disconnect LP Gas Tank" instructions.  
NG: Keep main gas line connected.

#### Cooking

- Open lid and ignite the side burner per "Lighting Instructions" section.
- Adjust control knob to desired flame height.
- Place pan on center of grid.
- Cook and adjust temperature as needed.
- Turn grill OFF per "Turning Off" instructions.

### Operating Infrared Back Burner

#### First Use

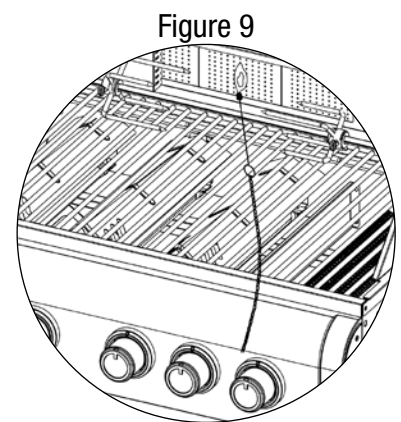
- Make sure all labels, packaging and protective films have been removed from the grill.
- Remove manufacturing oils before cooking on this grill for the first time by operating the grill for at least 15 minutes on  $\Delta$  (HIGH) with the lid closed. This will "heat clean" the internal parts and dissipate odors.

#### Lighting

- ▲ Caution: Keep outdoor gas cooking appliance area clear and free from combustible materials, gasoline and other flammable vapors and liquids.**
- ▲ Caution: Do not obstruct the flow of combustion and ventilation air.**
- ▲ Caution: Check and clean burner/venturi tubes for insects and insect nests. A clogged tube can lead to a fire beneath the grill.**
- ▲ Caution: Attempting to light the burner with the lid closed may cause an explosion.**

*NOTE:* Infrared sear burner can be used while main burners are operating.

- Open lid. **Attempting to light the burner with the lid closed may cause an explosion!**
- Make sure there are no obstructions of airflow to the burner. Spiders and insects can nest within and clog the burner / venturi tube at the orifice. A clogged burner tube can lead to a fire beneath the appliance.
- Control knob must be in the  $\Delta$  (OFF) position (Figure 3).
- LP: Connect LP gas tank per "Installing LP Gas Tank" section.  
NG: Connect NG main line per "Installing Natural Gas Line" section.



- LP: Turn LP gas tank valve to "OPEN".  
NG: Turn "ON" natural gas main valve.
- Push and turn control knob slowly to  $\Delta$  (HIGH) until a click is heard. The burner should light. If the burner does not light, repeat up to three times.  
*Note:* Infrared Burner should turn red after 2 to 3 minutes.
- If ignition does not occur in 5 seconds, turn burner control knob  $\Delta$  (OFF), wait 5 minutes and repeat lighting procedure.
- If igniter does not light burner, use a lit match secured with the lighting rod provided to light burner manually. Position the lit match near side of the burner (Figure 9).

**Important:** Always use the lighting rod provided when lighting burners with a match.

**▲ CAUTION: If burner flame goes out during operation, immediately turn the control knobs to the  $\Delta$  (OFF) position**  
**(a) LP gas tank valve "CLOSED" or**  
**(b) NG main valve "OFF"**  
**and open lid to let the gas clear for 5 minutes before re-lighting.**

#### Turning Off

- LP: Turn LP gas tank valve to "CLOSED".  
NG: Turn "OFF" natural gas main valve.
- Turn all control knobs clockwise to the  $\Delta$  (OFF) position.  
*Note:* A "poof" sound is normal as the last of the gas is burned.
- LP: Disconnect LP gas tank per "Disconnect LP Gas Tank" instructions.  
NG: Keep main gas line connected.

### Tips for Better Cookouts and Longer Grill Life

- For great recipes and tips, visit [recipes.uniflame.com](http://recipes.uniflame.com)
- For food safety tips visit: [http://www.fsis.usda.gov/Fact\\_Sheets/Barbecue\\_Food\\_Safety/](http://www.fsis.usda.gov/Fact_Sheets/Barbecue_Food_Safety/)
- Use the upper cooking grid (warming rack) for keeping cooked food warm, toasting breads or cooking delicate foods in aluminum foil pouches.
- Use the side burner of this appliance like a normal kitchen range for boiling, sautéing or frying.
- To keep food from sticking to the grids, spray or coat with cooking oil before lighting.
- To reduce flare-up keep grill clean, use lean cuts of meat (or trim fat) and avoid cooking on very high temperatures.
- Place delicate foods like fish and vegetables in aluminum foil pouches and indirect cook or place on upper cooking levels (warming rack).  
**▲ WARNING: Never cover entire cooking area with aluminum foil.**
- To avoid losing natural juices, use long handled tongs or spatulas instead of forks and turn foods over just once during cooking.
- When direct cooking adjust your burners to different levels so foods can be prepared to different internal temperatures in the same time frame.
- When indirect cooking roasts and larger cuts of meat, place meat onto a roasting rack inside a heavy gauge metal pan. Place pan over the un-lit burners.
- Try water pans to reduce flare-ups and cook juicer meats. Before starting grill remove cooking grids and place a heavy duty shallow pan directly on heat plates. Fill half way with water, fruit juices or other flavored liquids. Replace cooking grids and position food over the loaded pan.

## Operating Instructions (continued)

- Enhance food flavors by using wood chips in smoker boxes or aluminum foil pouches. Follow the wood manufacturer's instructions.
- Rotisseries, grill baskets, vertical poultry holders and other accessories can enhance your experiences, reduce cooking times and aid in clean-up.
- Clean cooking grids and racks after every use with a quality grill brush designed for your grid material. Wear protective gloves and gently remove the build-up while grids are hot.
- After every use, allow grill to cool. Then protect clean cooking grids with a light coat of cooking oil, empty grease pan, wipe outside surfaces with a suitable kitchen cleaner and protect surfaces with a quality cover that properly fits your grill.
- Watch barbecue themed TV shows or purchase related barbecue cookbooks to learn more interesting tips like –  
*A gas grill is ideal for reheating leftover pizza. Set burners on low and place pizza slices directly on preheated cooking grid. Close lid and cook until cheese starts to bubble.*

### Operating Rotisserie

**▲ WARNING: When using electrical appliances, basic safety precautions should always be used, including the following:**

- Always attach Rotisserie to grill first, then plug cord into a grounded outlet. To disconnect, turn Rotisserie "OFF" then remove plug from outlet.
- Most grill surfaces and accessories are hot during and after cooking. Use caution around grill, wear flame retardant BBQ mitt.
- Do not use accessory attachments on Rotisserie not supplied by the manufacturer. This may cause injuries. Do not use this appliance for other than intended use.
- Never cover bottom of your grill bowl with aluminum foil, sand or any grease absorbent substance.
- Should a grease fire occur, turn burners to  $\downarrow$  (OFF) position,
  - LP gas tank valve "CLOSED" or
  - NG main valve "OFF"
 leave lid CLOSED until fire is out.
- To protect against electrical shock, do NOT immerse electrical cord, plug or motor in water or expose to rain. Protect electrical elements from burners, hot grill surfaces and grease.
- Do NOT operate rotisserie with a damaged cord or plug, or if the rotisserie malfunctions or has been damaged in any manner.
- Do NOT let children operate grill or rotisserie, and do NOT let children play nearby.
- Unplug rotisserie motor from electrical outlet when not in use and before cleaning. Allow to cool before adding or removing parts.
- When rotisserie cooking, place a drip pan of some sort under the food to be cooked. This will capture the drippings and keep grill clean of excess grease which could cause a fire. Use caution when moving a drip pan containing hot oils.
- The motor is set for 120VAC, 50/60 Hz current.
- This rotisserie is for use outdoors only and with this grill only.

**▲ CAUTION: If burner flame goes out during operation, immediately turn the gas  $\downarrow$  (OFF) and open lid to let the gas clear for about 5 minutes before re-lighting.**

**▲ WARNING: Keep rotisserie motor electric cord away from the heated surface of the grill.**

**▲ WARNING: The rotisserie motor must be electrically grounded in accordance with local codes or, in the absence of local codes, with the National Electric Code, ANSI/NFPA 70-1990.**

**▲ WARNING: Do NOT operate the rotisserie with a damaged cord or plug, or if the Rotisserie malfunctions or has been damaged in any manner. Call our Customer Care at 1.800.762.1142 for replacement.**

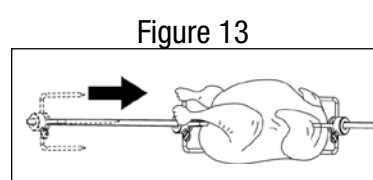
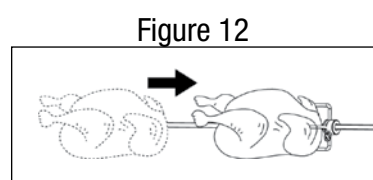
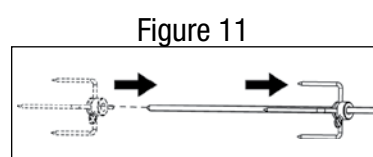
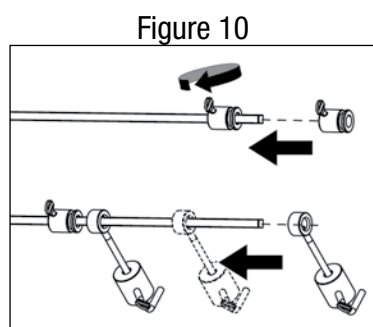
**▲ WARNING: The power supply cord has a 3-prong grounded plug. For your personal safety do not remove the grounding prong. It must be plugged into a mating 3-prong grounding type receptacle, grounded in accordance with the National Electrical Codes and local codes and ordinances.**

**▲ WARNING: If an extension cord is used it must be properly grounded and suitable for use with outdoor appliances. Keep the extension cord connection dry, off of the ground and out of the reach of children.**

**▲ WARNING: When rotisserie motor is not in use remove and store in a dry indoor area.**

**▲ WARNING: OUTDOOR USE ONLY. DO NOT EXPOSE TO RAIN.**

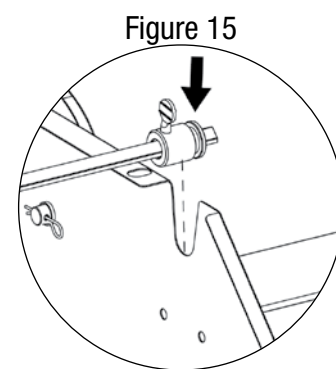
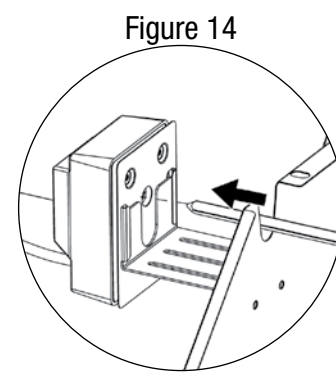
**▲ CAUTION: Risk of Electric Shock. Keep extension cord connection dry and off the ground**



**▲ WARNING: Use only on properly grounded outlet.**

### Attaching Meat or Poultry

- Attach rotisserie motor per "Assembly Instructions – Rotisserie" instructions.
- Insert and secure rotisserie counterweight and rotisserie handle onto rotisserie rod (Figure 10).
- Insert one rotisserie fork onto rotisserie rod (Figure 11).
- Push rotisserie rod through the middle of the food and insert the food evenly into the prongs of the rotisserie fork (Figure 12).
- Center food on rotisserie rod. Tighten rotisserie fork.
- Insert remaining rotisserie fork onto rotisserie rod and insert rotisserie fork prongs into food. Tighten rotisserie fork (Figure 13).
- Insert rotisserie rod into rotisserie motor and place other end of rotisserie rod into groves on bottom bowl (Figures 14 and 15).
- Turn rotisserie motor "ON" to test food placement. Note: Heavy side of meat or poultry should rotate down towards the bottom bowl. Adjust counterweight if needed for a proper balance. If meat or poultry still does not rotate properly, remove food and remount food for a proper balance.
- Light grill per "Infrared Back Burner" lighting instructions.
- After grill is lit and temperature is set, keep lid closed.



### Rotisserie Cooking Tips

- Meats (except for poultry and ground meats) should be brought to room temperature prior to cooking.
- Use cooking string to tie around the uneven shaped meat or poultry.
- Place a disposable aluminum drip pan directly under the food and on top of the heat plates.
- Food preparation steps are the same for rotisserie cooking as they are for regular grilling.
- If meat or poultry is too large or do not rotate properly on the rotisserie, the meat should be removed from the rotisserie and indirectly cook.

## Cleaning and Care

**▲ CAUTION:**

- All cleaning and maintenance should be done when grill is cool and with the fuel supply disconnected.
- DO NOT clean any grill part in a self cleaning oven. The extreme heat will damage the finish.
- Do not enlarge valve orifices or burner ports when cleaning the valves or burners.

### Notices

- This grill should be thoroughly cleaned and inspected on a regular basis.
- Abrasive cleaners will damage this product.
- Never use oven cleaner to clean any part of grill.

### Before Each Use:

- Keep the grill area clean and free from any combustible materials, gasoline, and other flammable vapors and liquids.
- Do not obstruct the flow of the combustion of LP and the ventilation air.
- Keep the ventilation opening(s) of the LP gas tank area free and clear from debris.
- Visually check the burner flames to make sure your grill is working properly (Figure 16).
- See sections below for proper cleaning instructions.
- Check and clean the burner/venturi tubes for insects and insect nests. A clogged tube can lead to a fire beneath the grill.

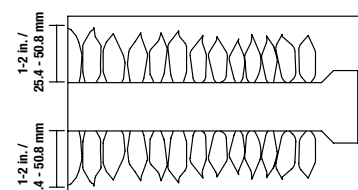
### Cleaning Surfaces

- Wipe surfaces clean with mild dishwashing detergent or baking soda mixed with water.
- For stubborn surfaces use a citrus based degreaser and a nylon scrubbing brush.
- Rinse clean with water.
- Allow to air dry.

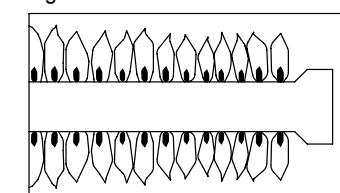
Figure 16

### Burner Flame Conditions

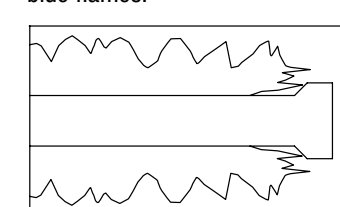
Use this chart check to see if your burners need to be cleaned.



**Normal:** Soft blue flames with yellow tips between 1 in. - 2 in. high.



**Needs Cleaning:** Noisy with hard blue flames.





**Has to be cleaned or replaced:** Wavy with yellow flames.





## Cleaning and Care (continued)



### Cleaning Main Burners

1. **LP:** Turn control knobs to  (OFF) position and LP gas tank valve to "CLOSED".  
**NG:** Turn control knobs to  (OFF) position and NG valve to "OFF".
2. **LP:** Disconnect LP gas tank per "Disconnect LP Gas Tank" instructions.  
**NG:** Disconnect main gas line per "Disconnect Natural Gas Line" instructions.
3. Remove cooking grids and heat plates.
4. Remove burners by removing the fasteners securing the burners to the grill bottom.
5. Lift burners up and away from gas valve orifice.
6. Disconnect wire from spark electrode.
7. Clean inlet (venturi) of each burner with small bottle brush or compressed air.
8. Remove all food residue and dirt on burner surfaces.
9. Clean any clogged ports with a stiff wire (such as an opened paper clip)
10. Inspect burners for any damage (cracks or holes). If damage is found, replace with new burner(s) from manufacturer.
11. Reinstall burners, checking to insure that gas valve orifice is correctly positioned inside each burner inlet (venturi). Also check position of spark electrode.
12. Replace heat plates and cooking grids.
13. **LP:** Connect LP gas tank per "Installing LP Gas Tank" section.  
**NG:** Connect LP gas tank per "Installing Natural Gas Line" section.
14. Perform leak test. See "Checking for Leaks".

### Cleaning Side Burner

1. **LP:** Turn control knobs to  (OFF) position and LP gas tank valve to "CLOSED".  
**NG:** Turn control knobs to  (OFF) position and NG valve to "OFF".
2. **LP:** Disconnect LP gas tank per "Disconnect LP Gas Tank" instructions.  
**NG:** Disconnect main gas line per "Disconnect Natural Gas Line" instructions.
3. Remove side burner grid.
4. Remove burner by removing the screws securing the burner to the side shelf.
5. Lift burner up and away from gas valve orifice.
6. Clean inlet (venturi) of burner with small bottle brush or compressed air.
7. Remove all food residue and dirt on burner surface.
8. Clean any clogged ports with a stiff wire (such as an opened paper clip)
9. Inspect burner for any damage (cracks or holes). If damage is found, replace with new burner from manufacturer.
10. Reinstall burner, check to insure that gas valve orifice is correctly positioned inside burner inlet (venturi). Also check position of spark electrode.
11. Replace cooking grid.
13. **LP:** Connect LP gas tank per "Installing LP Gas Tank" section.  
**NG:** Connect LP gas tank per "Installing Natural Gas Line" section.
13. Perform leak test. See "Checking for Leaks".

### Before Storing

1. **LP:** Turn control knobs to  (OFF) position and LP gas tank valve to "CLOSED".  
**NG:** Turn control knobs to  (OFF) position and NG valve to "OFF".
2. **LP:** Disconnect LP gas tank per "Disconnect LP Gas Tank" instructions.  
**NG:** Disconnect main gas line per "Disconnect Natural Gas Line" instructions.
3. Clean all surfaces.
4. Lightly coat the burners with cooking oil to prevent excess rusting.
5. If storing the grill outdoors, cover the grill with a grill cover for protection from the weather.

## Product Registration

For faster warranty service, register your product immediately at [www.bluerhino.com](http://www.bluerhino.com) or call 1.800.762.1142.

## Limited Warranty

Blue Rhino Global Sourcing, Inc ("Vendor") warrants to the original retail purchaser of this product, and to no other person, that if this product is assembled and operated in accordance with the printed instructions accompanying it, then for a period of one (1) year from the date of purchase, all parts in such product shall be free from defects in material and workmanship. Vendor may require reasonable proof of your date of purchase. Therefore, you should retain your sales slip or invoice. This Limited Warranty shall be limited to the repair or replacement of parts, which prove defective under normal use and service and which Vendor shall determine in its reasonable discretion upon examination to be defective. Before returning any parts, you should contact Vendor's Customer Service Department using the contact information listed below. If Vendor confirms, after examination, a defect covered by this Limited Warranty in any returned part, and if Vendor approves the claim, Vendor will replace such defective part without charge. If you return defective parts, transportation charges must be prepaid by you. Vendor will return replacement parts to the original retail purchaser, freight or postage prepaid.

This Limited Warranty does not cover any failures or operating difficulties due to accident, abuse, misuse, alteration, misapplication, improper installation or improper maintenance or service by you or any third party, or failure to perform normal and routine maintenance on the product as set out in this owner's manual. In addition, the Limited Warranty does not cover damage to the finish, such as scratches, dents, discoloration, rust or other weather damage, after purchase.


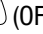
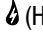
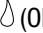
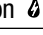

This Limited Warranty is in lieu of all other express warranties. Vendor disclaims all warranties for products that are purchased from sellers other than authorized retailers or distributors, including the warranty of merchantability or the warranty of fitness for a particular purpose. **VENDOR ALSO DISCLAIMS ANY AND ALL IMPLIED WARRANTIES, INCLUDING WITHOUT LIMITATION THE IMPLIED WARRANTIES OF MERCHANTABILITY AND FITNESS FOR A PARTICULAR PURPOSE. VENDOR SHALL HAVE NO LIABILITY TO PURCHASER OR ANY THIRD PARTY FOR ANY SPECIAL, INDIRECT, PUNITIVE, INCIDENTAL, OR CONSEQUENTIAL DAMAGES.** Vendor further disclaims any implied or express warranty of, and assumes no responsibility for, defects in workmanship caused by third parties.

This Limited Warranty gives the purchaser specific legal rights; a purchaser may have other rights depending upon where he or she lives. Some jurisdictions do not allow the exclusion or limitation of special, incidental or consequential damages, or limitations on how long a warranty lasts, so the above exclusion and limitations may not apply to everyone.

Vendor does not authorize any person or company to assume for it any other obligation or liability in connection with the sale, installation, use, removal, return, or replacement of its equipment, and no such representations are binding on Vendor.

Blue Rhino Global Sourcing, Inc  
Winston-Salem, North Carolina 27105 USA  
1.800.762.1142

**Troubleshooting**

<b>Problem</b>	<b>Possible Cause</b>	<b>Prevention/Cure</b>
<b>Burner will not light using ignitor</b>	LP gas tank valve is closed NG main valve is closed	LP: Make sure regulator is securely attached to the LP gas tank, turn LP gas tank valve to "OPEN" NG: Make sure regulator and NG main line are securely attached, turn NG main valve to "OPEN"
	LP gas tank is low or empty	Replace or refill LP gas tank
	LP gas / NG leak	1. Turn LP gas tank / NG main valve to "CLOSED" 2. Wait 5 minutes for gas to clear 3. Follow "Checking for Leaks" in the owner's manual
	Battery needs to be changed	Replace the "AA" battery (follow assembly step for inserting battery)
	Wires or electrode covered with cooking residue	Clean wire and/or electrode with rubbing alcohol
	Electrode and burners are wet	Wipe dry with cloth
	Electrode cracked or broken - sparks at crack	Replace electrode
	Wire loose or disconnected	Reconnect wire or replace electrode/wire assembly
	Wire is shorting (sparking) between ignitor and electrode	Replace ignitor wire/electrode assembly
	Bad ignitor	Replace ignitor
<b>Burner will not light with match</b>	No gas flow	LP: Check if LP gas tank is empty A. If empty, replace or refill B. If LP gas tank is not empty, refer to "Sudden drop in gas flow or reduced flame height" NG: Check if NG main valve is connected A. Make sure regulator and NG main line are securely attached, turn NG main valve to "OPEN" B. If NG main valve is "OPEN", refer to "Sudden drop in gas flow or reduced flame height"
	LP gas tank is low or empty	Replace or refill LP gas tank
	LP gas / NG leak	1. Turn LP gas tank / NG main valve to "CLOSED" 2. Wait 5 minutes for gas to clear 3. Follow "Checking for Leaks" in the owner's manual
	Coupling nut and regulator not fully connected	Turning the coupling nut about one-half to three quarters additional turn until solid stop. <b>Tighten by hand only-do not use tools.</b>
	Obstruction of gas flow	1. Clear burner tubes 2. Check for bent or kinked hose
	Disengagement of burner to valve	Reengage burner and valve
	Spider webs or insect nest in venturi	Clean venturi and burner tube
	Burner ports clogged or blocked	Clean burner ports
<b>Sudden drop in gas flow or reduced flame height</b>	LP: Out of gas	Replace or refill LP gas tank
	NG: No main line pressure	Call your Natural Gas provider to inspect Natural Gas Line
	LP: Excess flow; safety device may have been activated	1. Turn control knobs to  (OFF) 2. Wait 30 seconds and light grill. 3. If flames are still too low, reset the excessive flow safety device: a. Turn control knob(s)  (OFF) b. Turn LP gas tank valve to "CLOSED" c. Disconnect regulator d. Turn control knobs to  (HIGH) e. Wait 1 minute f. Turn control knobs to  (OFF) g. Reconnect regulator and leak check connections. h. Light grill per "Lighting Instructions"
<b>Irregular flame pattern, flame does not run the full length of burner</b>	Burner ports are clogged or blocked	Clean burner ports
<b>Flame is yellow or orange</b>	New burner may have residual manufacturing oils.	Burn grill for 15 minutes on  (HIGH) with the lid closed
	Spider webs or insect nest in venturi	Clean venturi
	Food residue, grease, etc.	Clean burner
	Poor alignment of valve to burner venturi	Assure burner venturi is properly engaged with valve
<b>Flame blow out</b>	High or gusting winds	Do not use grill in high winds
	Low on LP Gas	Replace or refill LP gas tank
	Excess flow valve tripped	Refer to "Sudden drop in gas flow or reduced flame height"
<b>Flare-up</b>	Grease buildup	Remove and clean all grill parts per "Cleaning and Care" instructions in the owner's manual
	Excess fat in meat	Trim fat from meat before grilling
	Excessive cooking temperature	Adjust (lower) cooking temperature
<b>Persistent grease fire</b>	Grease trapped by food buildup around burner system	1. Turn control knobs to  (OFF) 2. Turn LP gas tank valve / NG main valve to "CLOSED" 3. Leave lid in closed position and let fire burn out 4. After grill cools, remove and clean all parts per "Cleaning and Care" instructions in the owner's manual
<b>Flashback (fire in burner tube(s))</b>	Burner and/or burner tubes are blocked	Clean burners and/or burner tubes
<b>Inside of lid is peeling (like paint peeling)</b>	The lid is stainless steel, not painted	Baked on grease buildup has turned to carbon and is flaking off, clean thoroughly per "Cleaning and Care" instructions in the owner's manual
	The lid is coated/painted	<ul style="list-style-type: none"> <li>This can be from baked on grease buildup, that has turned into carbon and is flaking off</li> <li>Clean thoroughly, per "Cleaning and Care" instructions in the owner's manual</li> <li>After cleaning, if you can see steel, please call Customer Care at 1.800.762.1142</li> </ul>

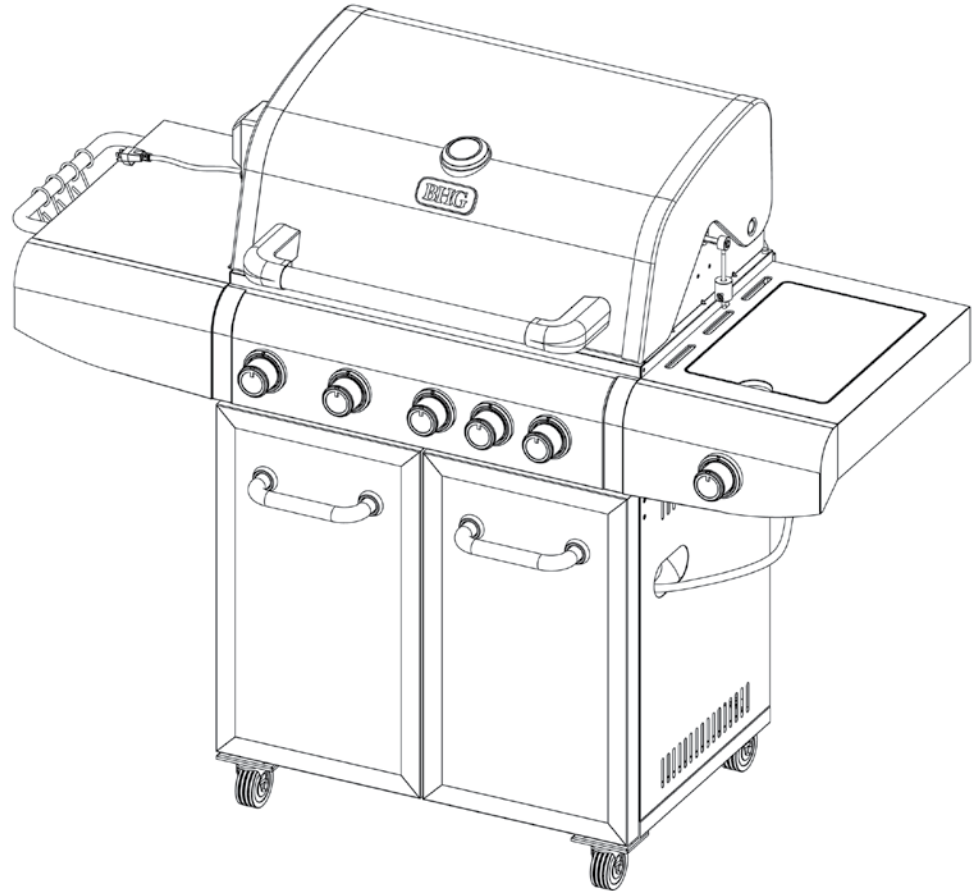
For more assistance please visit us online at [www.bluerhino.com](http://www.bluerhino.com) or call 1.800.762.1142.





## Parrilla de gas propano para exteriores

Modelo no. GBC1273W / BH12-101-001-02



### ADVERTENCIA

PARA SU SEGURIDAD:

Solamente para uso en exteriores  
(fuera de cualquier recinto)



### ADVERTENCIA

PARA SU SEGURIDAD:

1. Una instalación, ajuste, alteración, reparación o mantenimiento inadecuados pueden causar lesiones o daños a la propiedad.
2. Lea atentamente las instrucciones de instalación, funcionamiento y mantenimiento del equipo antes de instalarlo, ponerlo en marcha o darle servicio.
3. El no seguir estas instrucciones puede ocasionar un incendio o una explosión, con sus consecuentes daños a la propiedad, lesiones personales y hasta accidentes fatales.
4. Este manual de instrucciones contiene información importante necesaria para un correcto ensamblaje y uso seguro del aparato.
5. Lea y siga todas las instrucciones y advertencias antes de ensamblar y usar el producto.
6. Obedezca todas las advertencias e instrucciones cuando use el equipo.
7. Guarde este manual para referencia futura.



### PELIGRO

Si huele a gas -

1. Cierre la entrada de gas al aparato.
2. Apague cualquier llama activa.
3. Abra la tapa.
4. Si el olor persiste, manténgase alejado del aparato y llame inmediatamente a su proveedor de gas o al departamento de bomberos.



### ADVERTENCIA

PARA SU SEGURIDAD:

1. No guarde o use gasolina u otros líquidos o vapores inflamables cerca de esta unidad o de cualquier otro aparato.
2. Un tanque de propano líquido que no esté conectado para su uso no se debe almacenar cerca de éste o cualquier otro aparato.



### PELIGRO

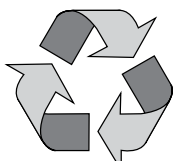
No deje una parrilla encendida sin vigilancia.

Conserve estas instrucciones para futuras consultas.  
Si está montando esta unidad para otra persona,  
entreguele este manual para futuras consultas.

### Índice

Salvaguardias importantes . . . . .	Página 2
Diagrama de explosión y elementos de ferretería . . . . .	3
Instrucciones de armado . . . . .	4
Instrucciones de armado - Rostizador . . . . .	10
Instalación del tanque de gas propano líquido (PL) . . . . .	11
Insertar el tanque de gas propano líquido . . . . .	11
Asegurar el tanque de gas propano líquido . . . . .	11
Conectar el tanque de gas propano líquido . . . . .	11
Desconectar el tanque de gas propano líquido . . . . .	11
Instalación de la línea de gas natural . . . . .	11
Conectar la línea de gas natural . . . . .	11
Desconectar la línea de gas natural . . . . .	11
Instrucciones de operación . . . . .	11
Inspección de fugas . . . . .	11
Operación de los quemadores principales . . . . .	12
Operación del quemador de soasar infrarrojo . . . . .	13
Operación del quemador lateral . . . . .	13
Operación del quemador trasero infrarrojo . . . . .	14
Sugerencias . . . . .	14
Operación del rostizador . . . . .	14
Limpieza y cuidado . . . . .	15
Registro del producto . . . . .	16
Garantía limitada . . . . .	16
Resolución de problemas . . . . .	17
El uso e instalación de este producto ha de realizarse de acuerdo con los códigos locales. Si no existen códigos locales, use las normas siguientes: <i>Código Nacional de Gas Combustible, ANSI Z223.1/NFPA 54, Código de Instalación de Propano y Gas Natural CAN/CGA-B149.1, o el Código de Manipulación y Almacenaje de Propano B149.2, o la Norma sobre Vehículos Recreativos, ANSI A 119.2/NFPA 1192, y CSA Z240 Serie VR, y el Código sobre Vehículos Recreativos, según aplique.</i>	
Propuesta 65 de California: La combustión del propano al usar esta unidad crea productos químicos considerados por el Estado de California como causantes de cáncer, malformaciones congénitas u otros daños reproductivos.	
Propuesta 65 de California: Lavarse las manos después de manipular este producto.	

**Está disponible el kit de conversión a gas natural, número de modelo VFK1000W.**



Hecho con 75% de bagazo de caña

(subproducto de la caña de azúcar respetuoso del medio ambiente)



Fabricado en China para: Blue Rhino Global Sourcing, Inc  
Winston-Salem, NC EE.UU. • 1.800.762.1142, www.bluerhino.com  
© Blue Rhino Global Sourcing, Inc. Todos los derechos reservados.

BETTER HOMES AND GARDENS y el logotipo de Kingsford son marcas registradas de Meredith Corporation, licencia y distribuido de Wal-Mart Stores, Inc. Todos los derechos reservados.



**▲ PELIGRO:** El no seguir los avisos de peligro, las advertencias y las precauciones, puede ocasionar un incendio o una explosión, con sus consecuentes daños a la propiedad, lesiones personales y hasta accidentes fatales.

**▲ ADVERTENCIA:**

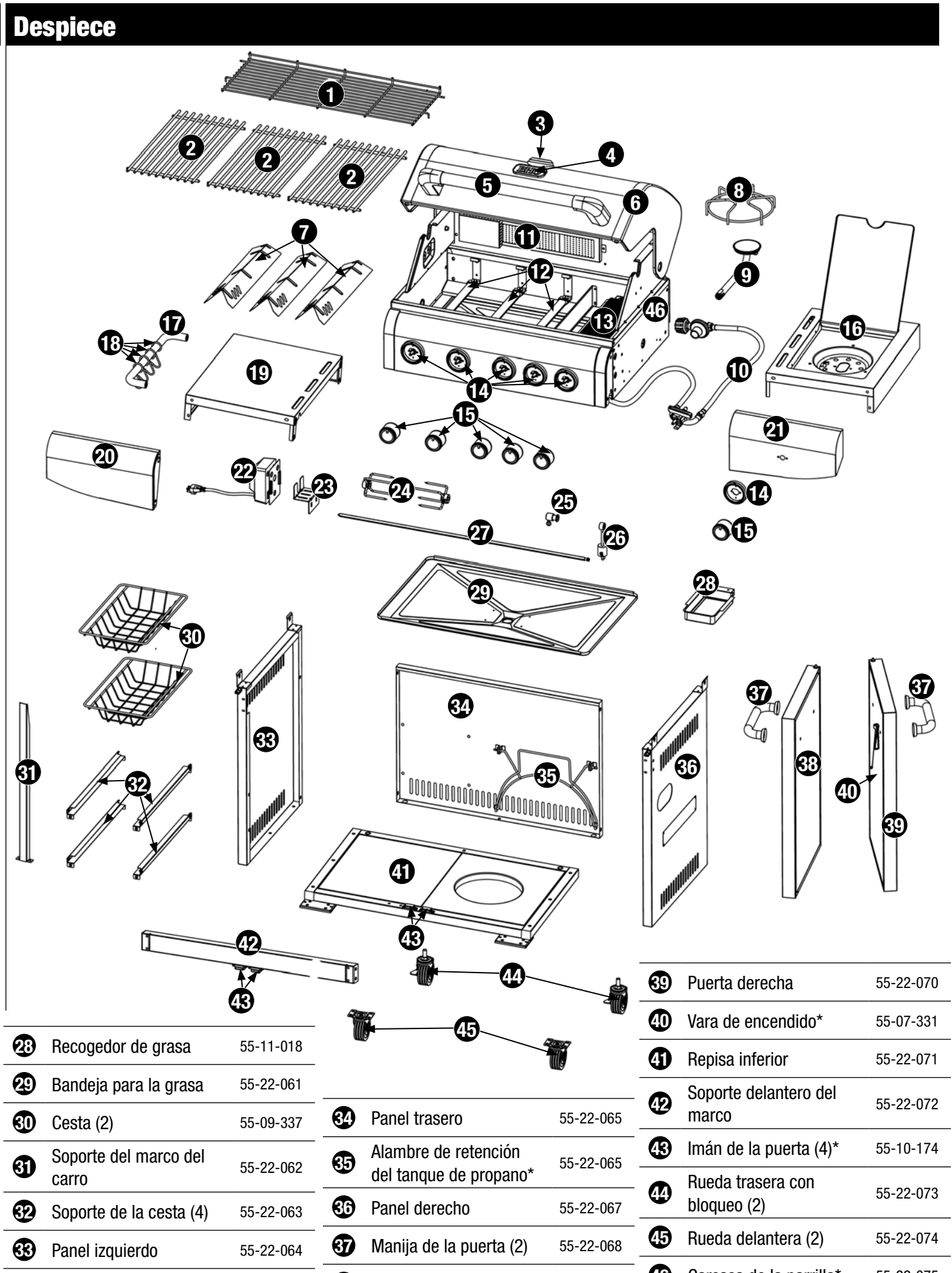
- ▲ Esta parrilla es para ser usada al aire libre únicamente y no debe usarse en un edificio, garaje o cualquier otra área cerrada.
- ▲ NO opere, encienda o use esta unidad a menos de diez (10) pies (3 m) de paredes, estructuras o edificaciones.
- ▲ Para uso residencial únicamente. Esta parrilla NO ha sido diseñada para uso comercial.
- ▲ Esta parrilla no ha sido diseñada como calentador y nunca se la debe utilizar como tal. Gases TÓXICOS pueden acumularse y provocar la asfixia.
- ▲ Esta parrilla tiene certificación de seguridad para uso en los Estados Unidos y/o Canadá solamente. No debe modificarse para uso en ningún otro lugar. Cualquier modificación resultará en un riesgo de seguridad.
- ▲ Habitantes de apartamentos: Comuníquese con la administración para obtener los requisitos y los códigos de incendio para uso de una parrilla a gas propano líquido en su complejo de apartamentos. Si está permitido su uso, coloque la unidad en exteriores, sobre el suelo con una distancia de diez (10) pies (3 m) de paredes o barandas. No debe usarse en balcones ni debajo de estos.
- ▲ Esta parrilla utiliza únicamente gas de propano líquido como combustible. El convertir o tratar de convertir esta parrilla de gas propano líquido para ser usada con gas natural es peligroso e invalida la garantía de la unidad.
- ▲ Características del propano líquido (PL):
  - a. El propano es inflamable y resulta peligroso si se manipula inadecuadamente. Antes de utilizar cualquier producto que emplee propano líquido, estudie detenidamente sus características.
  - b. El gas de propano líquido es explosivo bajo presión, más denso que el aire, se asienta y se acumula a poca altura.
  - c. En su estado natural, el propano no tiene ningún olor. Para su seguridad, se añade una esencia odorífera que huele a col podrida.
  - d. El contacto directo con el propano líquido puede causar quemaduras frías en la piel.
- ▲ Características del gas natural (GN):
  - a. El gas natural es inflamable y resulta peligroso si se manipula inadecuadamente. Antes de utilizar cualquier producto que emplee gas natural, estudie detenidamente sus características.
  - b. El gas natural es explosivo bajo presión, más denso que el aire, se asienta y se acumula a poca altura.
  - c. En su estado natural, el gas natural no tiene ningún olor. Para su seguridad, se añade una esencia odorífera que huele a col podrida.
  - d. El contacto directo con el gas natural puede causar quemaduras frías en la piel.
- ▲ Se requiere un tanque de gas propano para hacer funcionar este aparato. Únicamente tanques marcados "Propano" pueden usarse en esta unidad.
- ▲ El tanque de gas propano líquido (PL) debe estar fabricado y comercializado según las Especificaciones para tanques de gas PL del Departamento de Transporte (DOT) de EE.UU. o del Estándar nacional de Canadá, CAN/CSAB339 sobre tanques, esferas y tubos para el transporte de mercancías peligrosas; y la comisión.
- ▲ Verifique que el tanque de gas propano líquido esté en una posición adecuada para la extracción de vapor.
- ▲ El tanque de gas propano líquido debe tener un dispositivo que evite el sobrellenado del tanque (OPD).
- ▲ Utilice únicamente tanques de gas que tienen un dispositivo de conexión compatible con aparatos de cocción al aire libre.
- ▲ No utilice nunca un tanque de propano líquido si el cuerpo no tiene collar para proteger la válvula.
- ▲ No utilice nunca un tanque de propano líquido si el cuerpo, la válvula, el collar o el anillo inferior presentan algún daño.
- ▲ Los tanques de propano líquido abollados u oxidados pueden ser peligrosos y deberían ser revisados por su proveedor de gas PL antes de utilizarlos.
- ▲ No deje caer el tanque de gas propano líquido ni lo maneje bruscamente.
- ▲ Los tanques deben almacenarse en exteriores, en un lugar al aire libre siempre fuera del alcance de los niños y nunca en un garaje, edificio o espacio cerrado. Nunca almacene tanques de gas en un lugar en el que la temperatura supere los 125°F (51,5°C).
- ▲ No inserte ninguna herramienta u objeto extraño en la salida de la válvula ni en la válvula de seguridad. Puede dañar la válvula y causar una fuga. Una fuga de gas propano puede causar una explosión, un incendio, lesiones personales graves o la muerte.
- ▲ No obstruya los agujeros situados a los lados y en la parte trasera de la parrilla.
- ▲ No ponga nunca un tanque de gas propano lleno en un carro o camioneta calientes. El calor podría hacer que la presión del gas aumentase, lo que abriría la válvula de seguridad y haría que se escapase el gas.
- ▲ Ponga la tapa contra el polvo en la válvula de salida del tanque cuando no lo esté usando. Únicamente use la tapa contra el polvo que viene con la válvula del tanque. Otros tipos de tapones o tapas pueden crear fugas del propano.
- ▲ Si la parrilla no se está usando, el gas debe cerrarse en el tanque de suministro y se debe desconectar el tanque.
- ▲ Nunca guarde un tanque adicional de propano debajo o cerca de esta parrilla.
- ▲ Nunca llene el tanque más allá de 80% de su capacidad.
- ▲ El no seguir exactamente las instrucciones dadas arriba puede producir un incendio con daños a la propiedad, lesiones serias y hasta fatales.
- ▲ No intente nunca acoplar esta parrilla al sistema de propano de un campero, de una casa móvil o de su propia casa.
- ▲ El uso de bebidas alcohólicas, medicamentos o drogas de farmacia puede afectar la habilidad del usuario para armar debidamente u operar en forma segura este aparato.
- ▲ Los olores fuertes, los resfríos, la congestión de los senos nasales, etc. pueden evitar la detección del gas propano. Tome medidas de precaución y sentido común al realizar pruebas para determinar la presencia de fugas.
- ▲ No use nunca carbón de leña, líquido para encendedor, rocas de lava, gasolina, queroseno o alcohol con este aparato.
- ▲ Todas las conexiones de gas de su parrilla han sido verificadas en fábrica en cuanto a fugas de gas. Sin embargo, vuelva a probar la integridad de todas las conexiones como se indica en las "Instrucciones de operación" ya que el movimiento en transporte puede aflojar algunas de ellas.
- ▲ Verifique que no haya fugas aún si el aparato ha sido armado por otra persona.
- ▲ No opere la unidad si hay una fuga de gas. Las fugas de gas pueden provocar un fuego o una explosión.
- ▲ Antes de operar esta unidad, debe observar todos los procedimientos para verificar que no hay fugas de gas. Para evitar cualquier riesgo de fuego o de explosión al comprobar si hay fugas:
  - a. Compruebe siempre si hay fugas antes de encender la parrilla, cada vez que el tanque de gas está conectado.
  - b. No fume. No use o permita fuentes de ignición en el área al comprobar si hay fugas.
  - c. Siempre compruebe si hay fugas en exteriores donde hay una buena ventilación.
  - d. No use cerillas o fósforos, encendedores o una llama para comprobar si hay fugas.
  - e. No use la parrilla hasta que todas las fugas hayan sido reparadas.
- ▲ PROPANO: Si no puede parar una fuga, desconecte el tanque de propano. Llame a un técnico o a su proveedor de propano local.
- ▲ GAS NATURAL: Si no puede detener una fuga, cierre la válvula principal que se encuentra en la línea de suministro de gas natural. Llame a un técnico de servicio de artefactos a gas o al proveedor local de gas natural.
- ▲ GAS NATURAL: El artefacto y su válvula de cierre individual deben desconectarse del sistema de tuberías del suministro de gas durante una prueba de presión de dicho sistema a presiones que excedan 1/2 psig (3.5 kpa).
- ▲ GAS NATURAL: El artefacto debe aislarse del sistema de tuberías de suministro de gas cerrando su válvula de cierre manual individual durante una prueba de presión del sistema de tuberías de suministro de gas a presiones de prueba de 1/2 psig (3.5 kpa) o menores.
- ▲ Esta parrilla está diseñada para funcionar con las presiones de entrada siguientes: Gas propano líquido (PL): 11 pulgadas (28 cm) de columna de agua Gas natural (GN): 7 pulgadas (18 cm) de columna de agua.
- ▲ No guarde o use gasolina u otros líquidos o vapores inflamables a menos de 7,6 m (25 pies) de esta unidad.
- ▲ No utilice el equipo en una atmósfera explosiva. Mantenga la zona de la parrilla libre de materiales combustibles, gasolina y cualquier otro vapor o líquido inflamable.
- ▲ El espacio mínimo entre los laterales y la parte posterior de la unidad y la construcción combustible es de 36 pulgadas (92 cm). NO use esta parrilla debajo de aleros o bajo techo.
- ▲ Es fundamental mantener limpio el compartimiento de la válvula de la parrilla, los quemadores y los conductos de aire circulante. Inspeccione la parrilla antes de cada uso.
- ▲ No altere la parrilla de ninguna forma. Toda alteración anulará la garantía.
- ▲ No utilice la parrilla a menos que esté COMPLETAMENTE montada y que todas las piezas estén bien fijadas y apretadas.
- ▲ No instale este modelo de parrilla en ninguna construcción empotrada o que requiera deslizamiento interior. Ignorar esta advertencia podría provocar un incendio o una explosión y causar daños materiales así como lesiones corporales graves o la muerte.
- ▲ Esta parrilla de gas debe limpiarse y verificarse completamente de manera regular. Limpie y revise la manguera antes de cada uso del aparato. Si detecta alguna señal de abrasión, desgaste, cortes o fugas, deberá sustituir la manguera antes poner en marcha el aparato.
- ▲ Utilice únicamente el regulador y el conjunto de manguera incluido. El regulador de repuesto y el conjunto de manguera de repuesto serán los especificados por el fabricante.
- ▲ Use únicamente piezas autorizadas de fábrica de Blue Rhino Global Sourcing, Inc. El uso de cualquier pieza no autorizada de fábrica puede ser peligroso. Su uso invalida su garantía.
- ▲ No encienda esta unidad sin haber leído las "Instrucciones de operación" que se encuentran en este manual.
- ▲ No toque las piezas de metal de la parrilla hasta que no se haya enfriado completamente (alrededor de 45 minutos) para evitar quemaduras, a menos que usted tenga puestos elementos de protección tales como guantes o almohadilla para las ollas, guantes de barbacoa, etc.
- ▲ NO instalar o utilizar en embarcaciones o vehículos recreativos.
- ▲ Cuando esté cocinando, tenga fácilmente accesibles los elementos para extinguir un incendio. En caso de que la sustancia de freír se incendie no trate de extinguir el fuego con agua. Use un extinguidor de material químico seco tipo BC o ahogue el fuego con tierra, arena o soda de hornear.
- ▲ No utilice la parrilla si hace mucho viento.
- ▲ Nunca se apoye sobre la parrilla cuando la está encendiendo.
- ▲ No deje una parrilla encendida sin vigilancia, especialmente, mantenga los niños y las mascotas lejos de la parrilla en todo momento.
- ▲ No deje la parrilla sin supervisión al precalentar o quemar residuos de alimentos con la perilla en la graduación más alta. Si la parrilla no ha sido limpiada, puede incendiarse la grasa y dañar el producto.
- ▲ No coloque los recipientes de cocción sobre el artefacto mientras está en funcionamiento.
- ▲ Tenga cuidado al colocar cosas sobre la parrilla cuando ésta se encuentre en funcionamiento.
- ▲ No intente mover la parrilla mientras esté encendida. Deje que la parrilla se enfríe antes de moverla o guardarla.
- ▲ El tanque de gas propano líquido debe desconectarse correctamente y retirarse antes de mover esta parrilla.
- ▲ El almacenamiento del aparato en un espacio cerrado sólo está permitido si el tanque está desconectado, desmontado del aparato y guardado al aire libre.
- ▲ Abra siempre la tapa de la parrilla en forma cuidadosa y lentamente, pues el calor y el vapor que hay dentro de la parrilla pueden ocasionarle severas quemaduras.
- ▲ No trate de desconectar el regulador de gas del tanque, o cualquier otro accesorio de la línea de gas, mientras esté usando la parrilla.
- ▲ Coloque siempre la parrilla sobre una superficie firme y nivelada, alejada de productos combustibles. Una superficie de asfalto o de pavimento puede que no sea adecuada para este propósito.
- ▲ Retire las mangueras de gas lo más lejos posible de las superficies calientes y de las zonas donde gotee grasa caliente.
- ▲ Mantenga todos los cables eléctricos lejos de una parrilla caliente.
- ▲ Mantenga todos los cables eléctricos así como las mangueras de suministro de combustible lejos de las superficies calientes.
- ▲ Después de un período de almacenamiento o de falta de uso de la unidad, verifique que no haya fugas u obstrucciones en el quemador e inspeccione la manguera para detectar zonas gastadas o cortes en ella.
- ▲ El no abrir la tapa cuando se están encendiendo los quemadores de la parrilla, o el no esperar cinco minutos para permitir que el gas salga de la parrilla cuando el gas no se ha encendido, puede provocar una llamarada explosiva.
- ▲ Nunca opere la parrilla antes de haber instalado las placas de distribución de calor.

**Si necesita ayuda llame al 1.800.762.1142. No vuelva al lugar de compra.  
Para obtener excelentes recetas y sugerencias, visite [recipes.uniflame.com](http://recipes.uniflame.com)**

- ▲ Use siempre un termómetro para carne para asegurar que la comida ha quedado cocida a la temperatura apropiada.
- ▲ Por favor, use guantes de protección cuando esté armando este producto.
- ▲ No trate de forzar las piezas juntas pues esto puede ocasionar lesiones o dañar el artefacto.
- ▲ Nunca cubra la totalidad del área de cocción con papel de aluminio.
- ▲ Todos los accesorios eléctricos (por ejemplo el rostizador) deben contar con una conexión a tierra eléctrica conforme a los códigos locales, el Código Eléctrico Nacional, ANSI / NFPA 70 o el Código Eléctrico Canadiense, CSA C22.1.
- ▲ Para protegerse contra una descarga eléctrica, no sumerja el cable, los enchufes o los elementos calentadores en agua ni en otro líquido.
- ▲ Desenchufe el artefacto del tomacorriente cuando no esté en uso y antes de limpiarlo. Deje que se enfríe antes de instalar o retirar piezas.
- ▲ No permita que el cable cuelgue del borde de la mesa ni que toque superficies calientes.

- ▲ No use un artefacto a gas para cocinar en exteriores con un propósito diferente para el que fue diseñado.
- ▲ Al conectar, conecte primero el enchufe al artefacto a gas para cocinar en exteriores, luego enchufe el artefacto en la salida.
- ▲ Utilícelo sólo con un circuito protegido por un interruptor de falla de puesta a tierra (GFI, por sus siglas en inglés).
- ▲ Nunca retire el enchufe de conexión a tierra ni use el artefacto con un adaptador de 2 clavijas. Use solamente cordones de extensión con un enchufe de conexión a tierra de 3 clavijas, marcados W-A, con la clasificación en amperios y vatios apropiada para el equipo y aprobado para uso en exteriores.
- ▲ PARA USO EN EXTERIORES SOLAMENTE. NO EXPONGA EL ARTEFACTO A LA LLUVIA.
- ▲ PRECAUCIÓN: Riesgo de choque eléctrico. Mantenga el cordón de extensión seco y fuera del suelo.
- ▲ Use sólo con un tomacorriente con conexión a tierra apropiada.
- ▲ El no seguir exactamente las instrucciones proporcionadas anteriormente puede causar daños a la propiedad, lesiones graves e incluso la muerte.

Lista de piezas	
1	Rejilla de calentamiento 55-22-043
2	Rejilla de cocción (3) 55-22-044
3	Registro de temperatura* 55-10-583
4	Placa de marca* 55-22-045
5	Manija de la tapa* 55-22-046
6	Tapa* 55-22-047
7	Placa de distribución de calor (3) 55-22-048
8	Rejilla del quemador lateral 55-22-049
9	Quemador lateral 55-10-052
10	Regulador y manguera* 55-08-091
11	Quemador trasero infrarrojo* 55-10-252
12	Quemador (3)* 55-22-050
13	Quemador de soasar infrarrojo* 55-22-051
14	Soporte de la perilla de control (6)* 55-08-071
15	Perilla de control (6) 55-09-341
16	Conjunto de la repisa derecha* 55-22-052
17	Barra para toalla 55-07-548
18	Gancho para utensilio (4)* 55-07-729
19	Repisa izquierda 55-22-053
20	Panel frontal de la repisa izquierda 55-22-054
21	Panel frontal de la repisa derecha 55-22-055
22	Motor del rostizador 55-22-056
23	Soporte del motor del rostizador 55-22-057
24	Trinche del rostizador (2) 55-10-261
25	Manija del rostizador 55-22-058
26	Contrapeso del rostizador 55-22-059
27	Varilla del rostizador 55-22-060
28	Recogedor de grasa 55-11-018
29	Bandeja para la grasa 55-22-061
30	Cesta (2) 55-09-337
31	Soporte del marco del carro 55-22-062
32	Soporte de la cesta (4) 55-22-063
33	Panel izquierdo 55-22-064
34	Panel trasero 55-22-065
35	Alambre de retención del tanque de propano* 55-22-065
36	Panel derecho 55-22-067
37	Manija de la puerta (2) 55-22-068
38	Puerta izquierda 55-22-069
39	Puerta derecha 55-22-070
40	Vara de encendido* 55-07-331
41	Repisa inferior 55-22-071
42	Soporte delantero del marco 55-22-072
43	Imán de la puerta (4)* 55-10-174
44	Rueda trasera con bloqueo (2) 55-22-073
45	Rueda delantera (2) 55-22-074
46	Carcasa de la parrilla* 55-22-075



Elementos de ferretería			
A	Tornillo	Niquelado, de cabeza Phillips abombada, M4x10	12 pzs
B	Tornillo	Niquelado, de cabeza Phillips abombada, M6x12	33 pzs
C	Tornillo	Niquelado, de cabeza Phillips abombada, M6x60	4 pzs
D	Perno	Niquelado, de cabeza hexagonal, M6x15	20 pzs
E	Tuerca	Niquelada, M6	10 pzs
F	Arandela	Niquelada, ø6,4	10 pzs
G	Arandela	Niquelada, ø6,5	14 pzs
H	Arandela de cierre	Niquelada, ø6,5	10 pzs

Herramientas necesarias para el armado (incluidas)	
Destornillador en cruz (Phillips) no.2	1 pz
Llave inglesa M10-M6	1 pz



**Instrucciones de armado**

**1 NO DEVUELVA EL PRODUCTO AL LUGAR DE COMPRA.**

Si necesita ayuda llame, sin cargo, al **1.800.762.1142**. Por favor tenga a mano su manual y el modelo número de la unidad, para referencia.

*Nota:* El número o lateral del modelo se encuentra en la parte trasera o lateral el carro.

Para facilitar el armado:

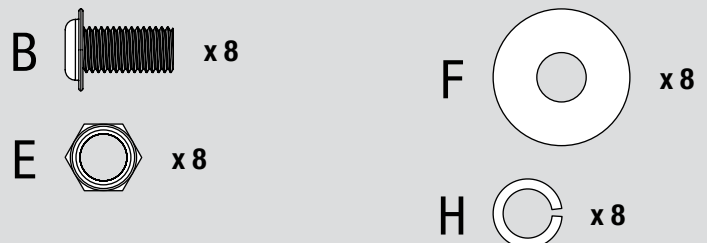
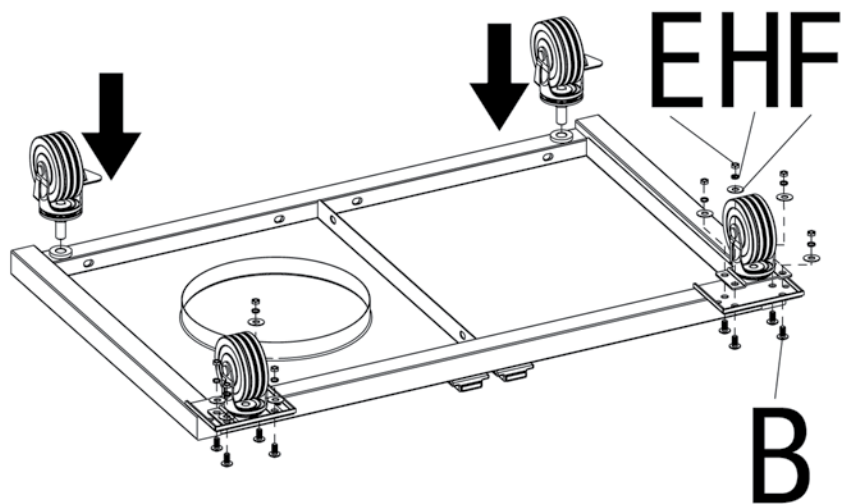
- Evite la pérdida de componentes pequeños o elementos de ferretería, armando el producto en un lugar de piso plano sin aberturas ni hendiduras.
- Despeje un área suficientemente grande para colocar la tornillería y todos los componentes, que sea suave para no rasguñar o dañar el acabado de las superficies.
- Cuando corresponda, apriete primero a mano todas las conexiones de tornillería. Cuando haya completado este paso apriete a fondo toda la tornillería teniendo cuidado de no apretar excesivamente para no dañar las superficies o las roscas de los tornillos.
- Siga todos los pasos en el orden indicado para armar debidamente esta unidad.

Para terminar el armado de la unidad necesitará:

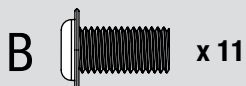
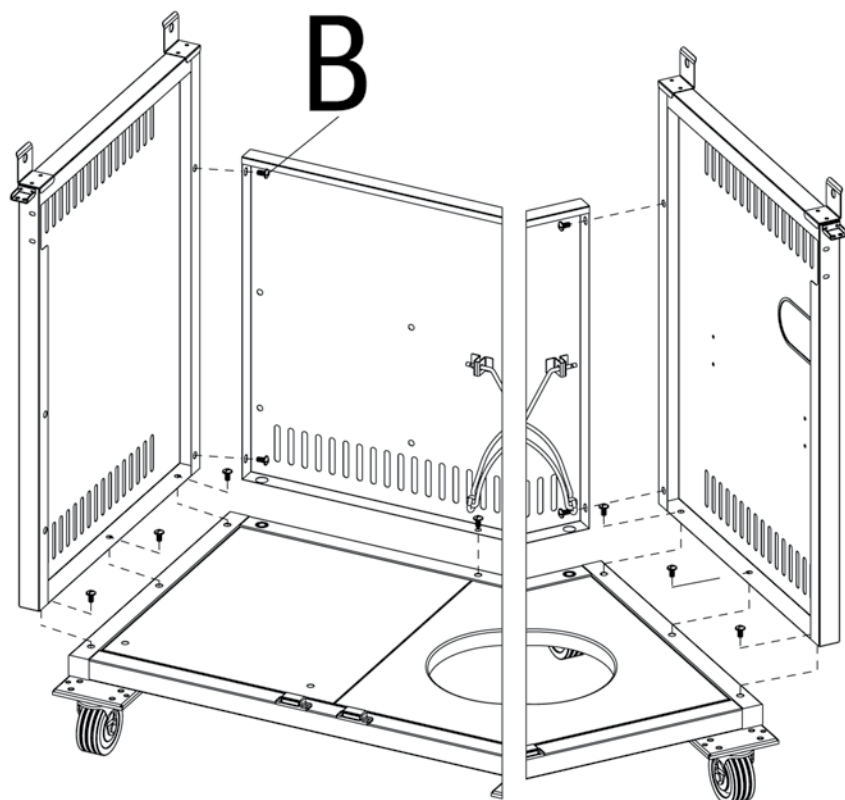
- una (1) solución para detección de fugas. Las instrucciones sobre cómo preparar esta solución se encuentran en la sección "Instrucciones de operación".
- PL (PROPANO): un (1) un tanque de gas propano líquido (de 15 a 19 litros), para parrilla, llenado con precisión y con rosca externa Acme Tipo 1 para conexión de válvula.
- GN (GAS NATURAL): un (1) kit de conversión de gas natural, número de modelo VFK1000W (no incluido).

Tiempo de armado estimado: una (1) hora

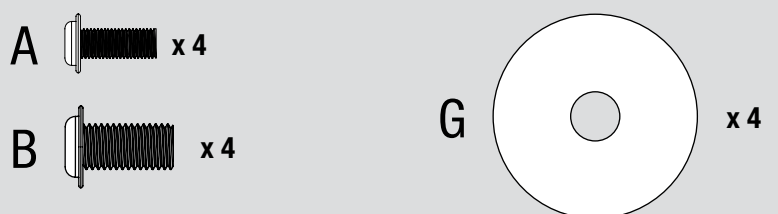
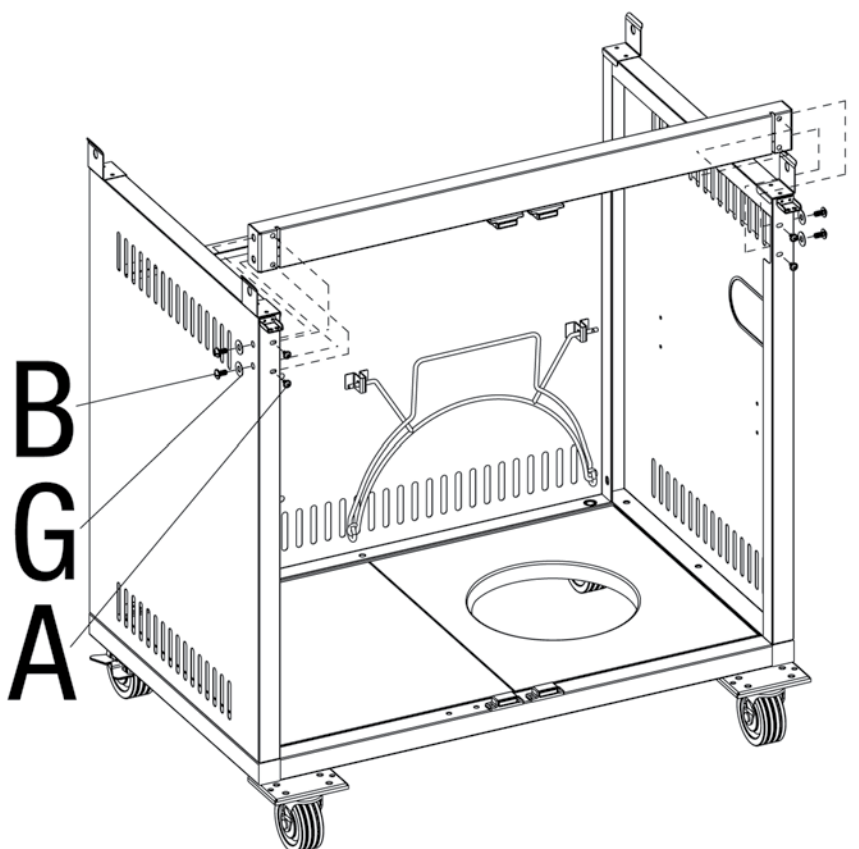
**2 Acople las ruedas**



**3 Acople los paneles laterales y el panel trasero**



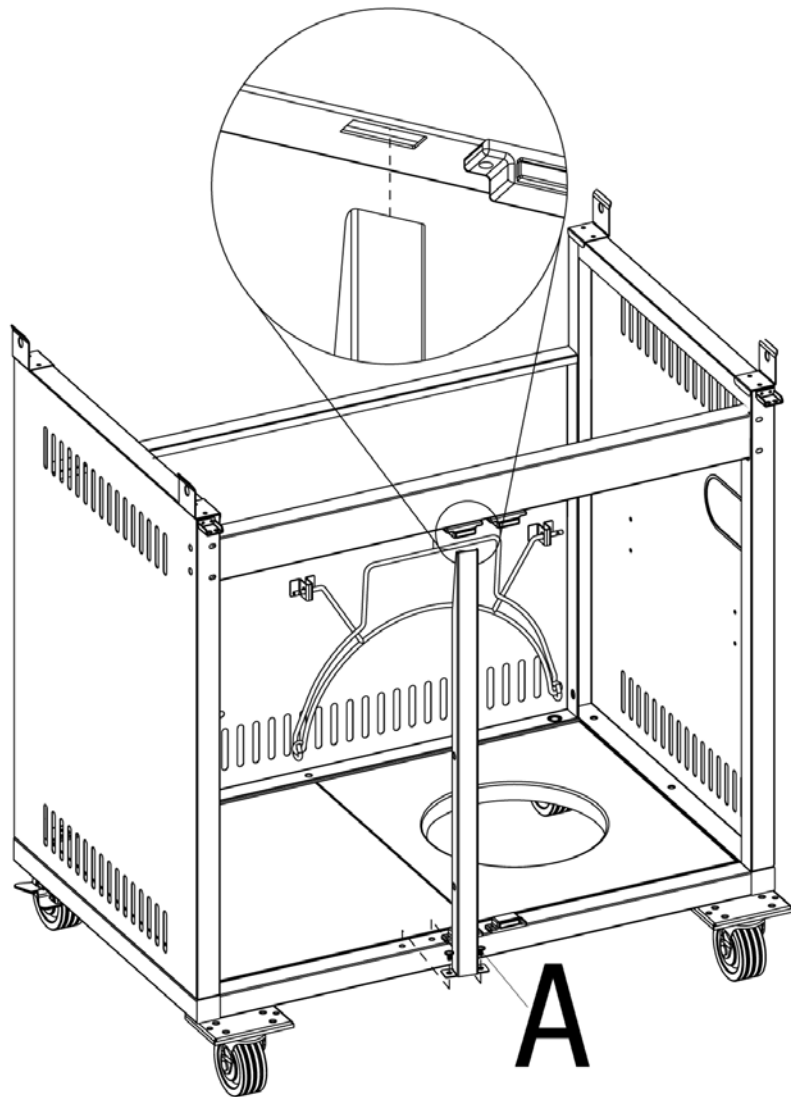
**4 Acople el soporte delantero del marco del carro**

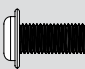


Si necesita ayuda llame al 1.800.762.1142. No vuelva al lugar de compra.  
Para obtener excelentes recetas y sugerencias, visite [recipes.uniflame.com](http://recipes.uniflame.com)

5

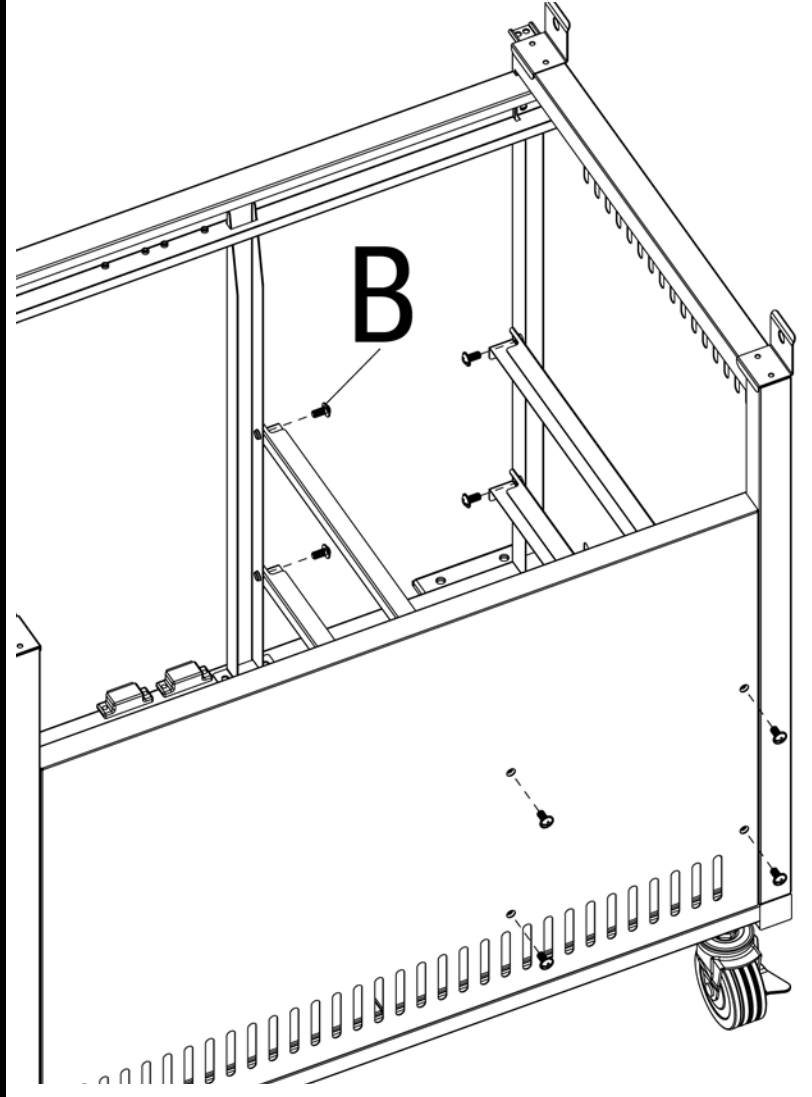
Acople el soporte del marco del carro

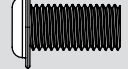


A  x 2

6

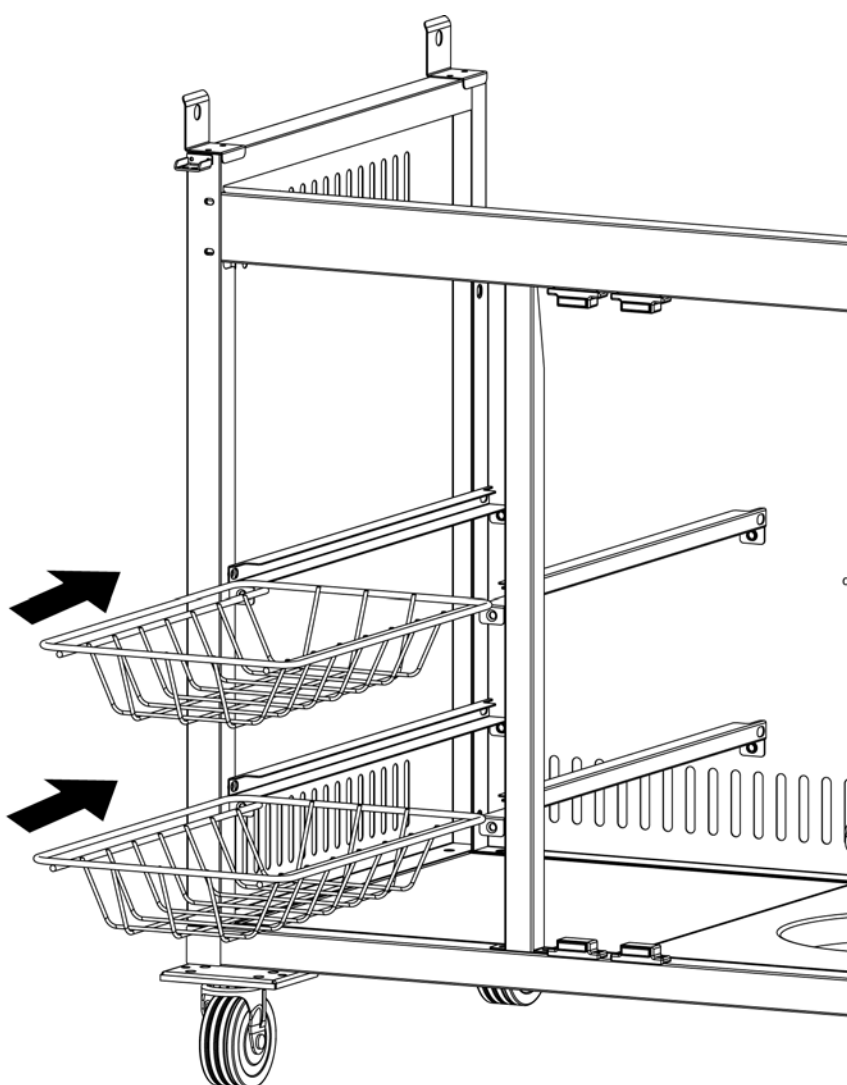
Acople los soportes de las cestas



B  x 8

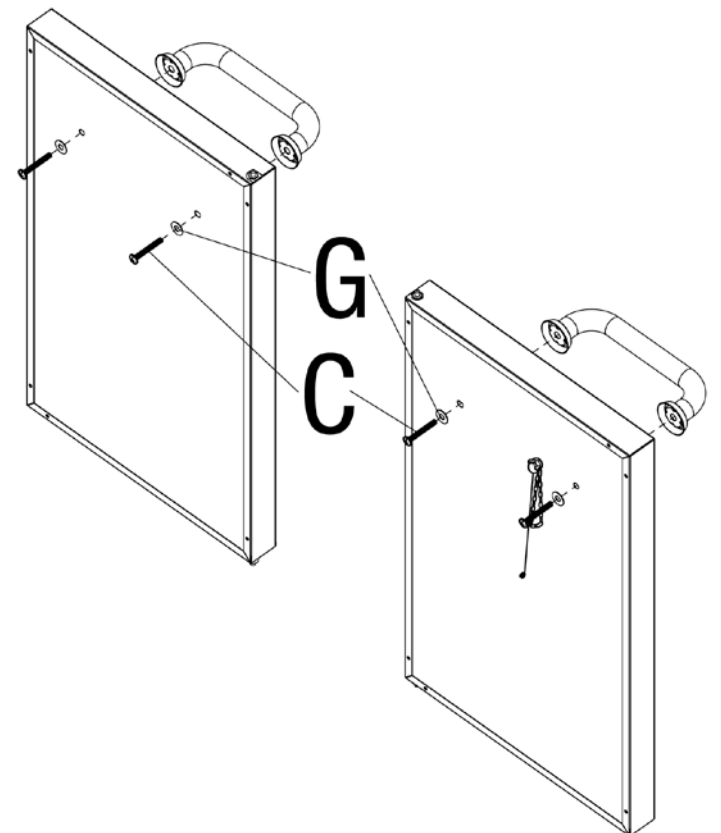
7

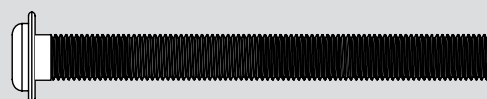
Inserte las cestas

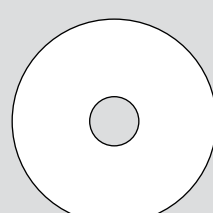


8

Acople las manijas de las puertas



C  x 4

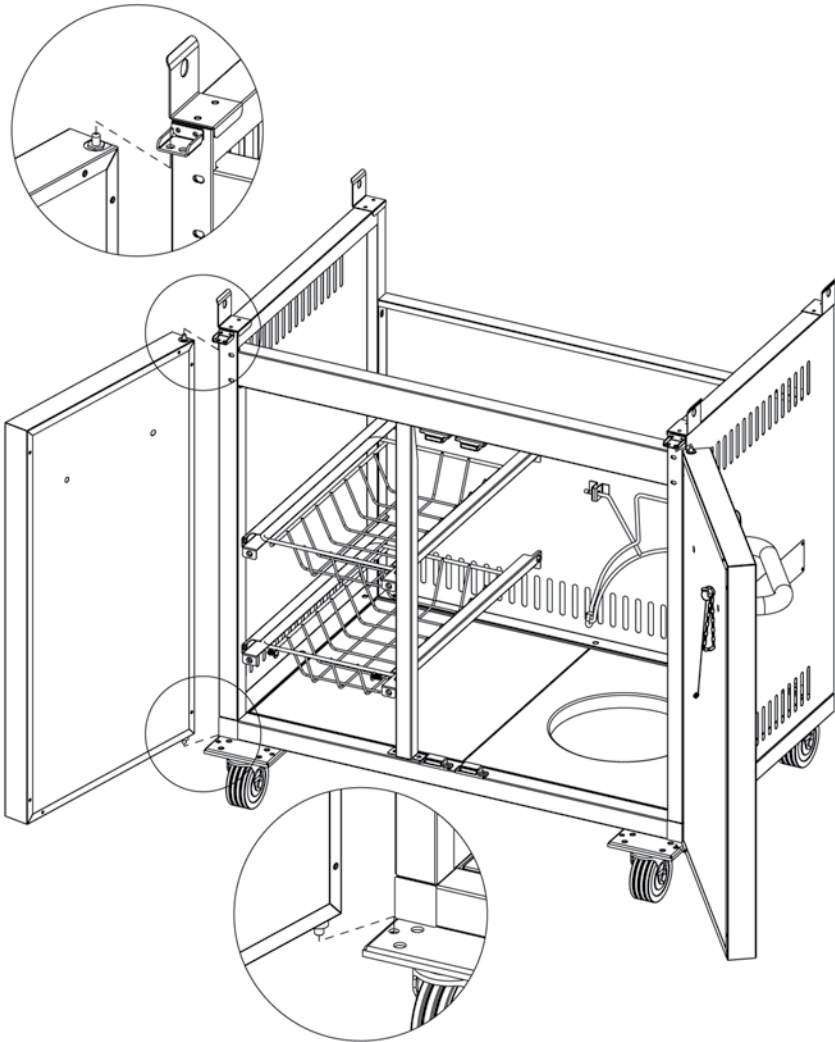
G  x 4



Instrucciones de armado (continuación)

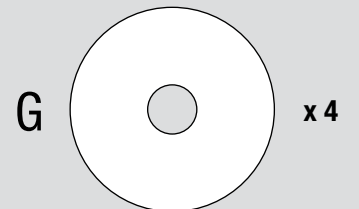
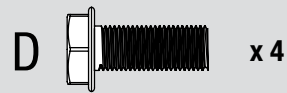
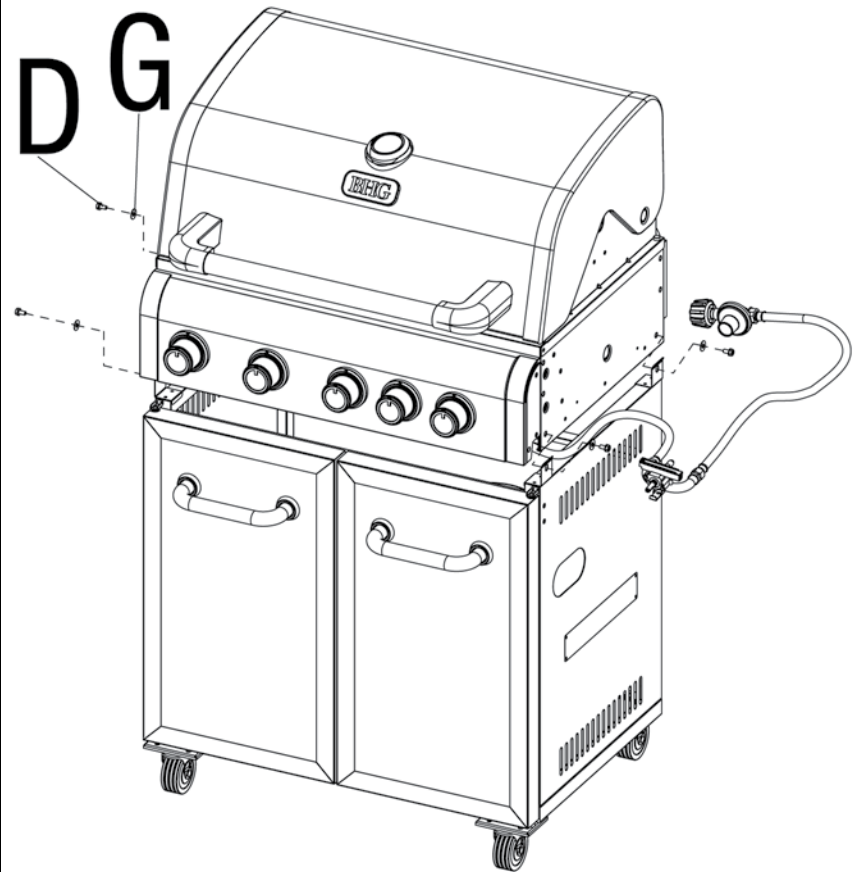
9

Acople las puertas



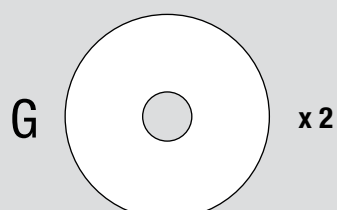
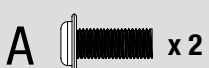
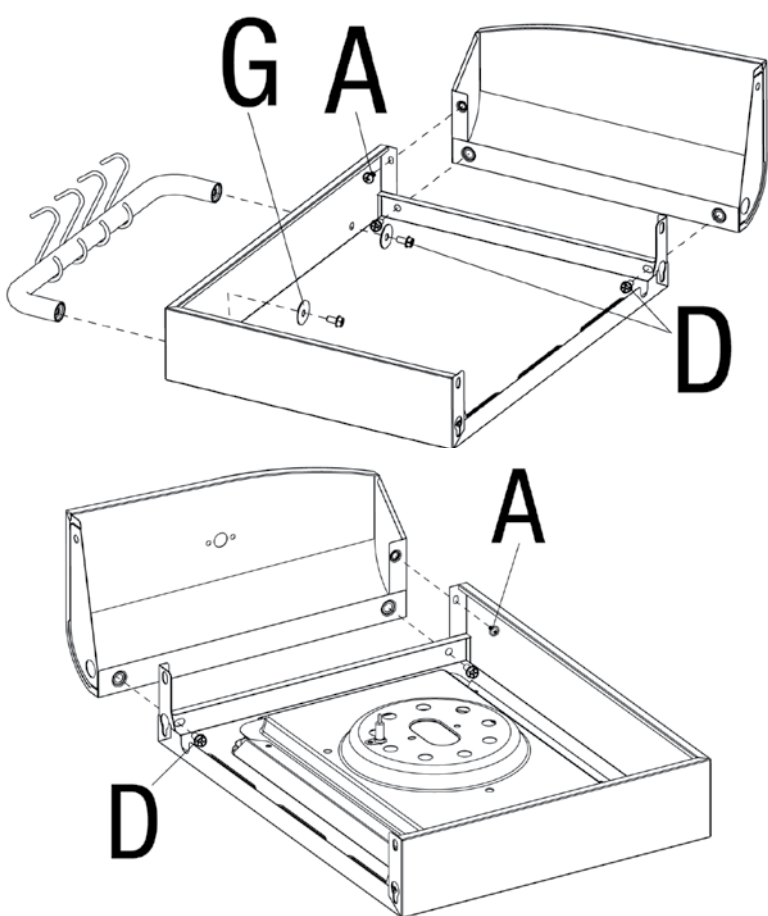
10

Acople la carcasa de la parrilla



11

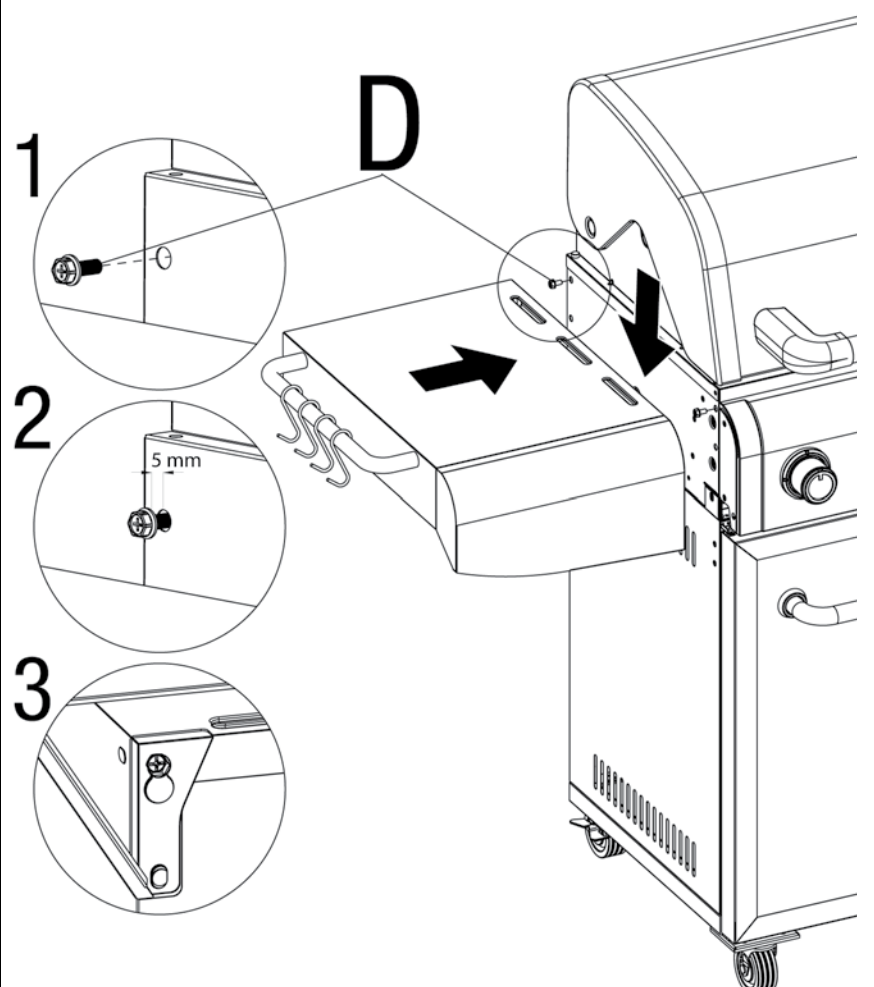
Acople los paneles frontales de las repisas laterales y  
acople la barra para toalla



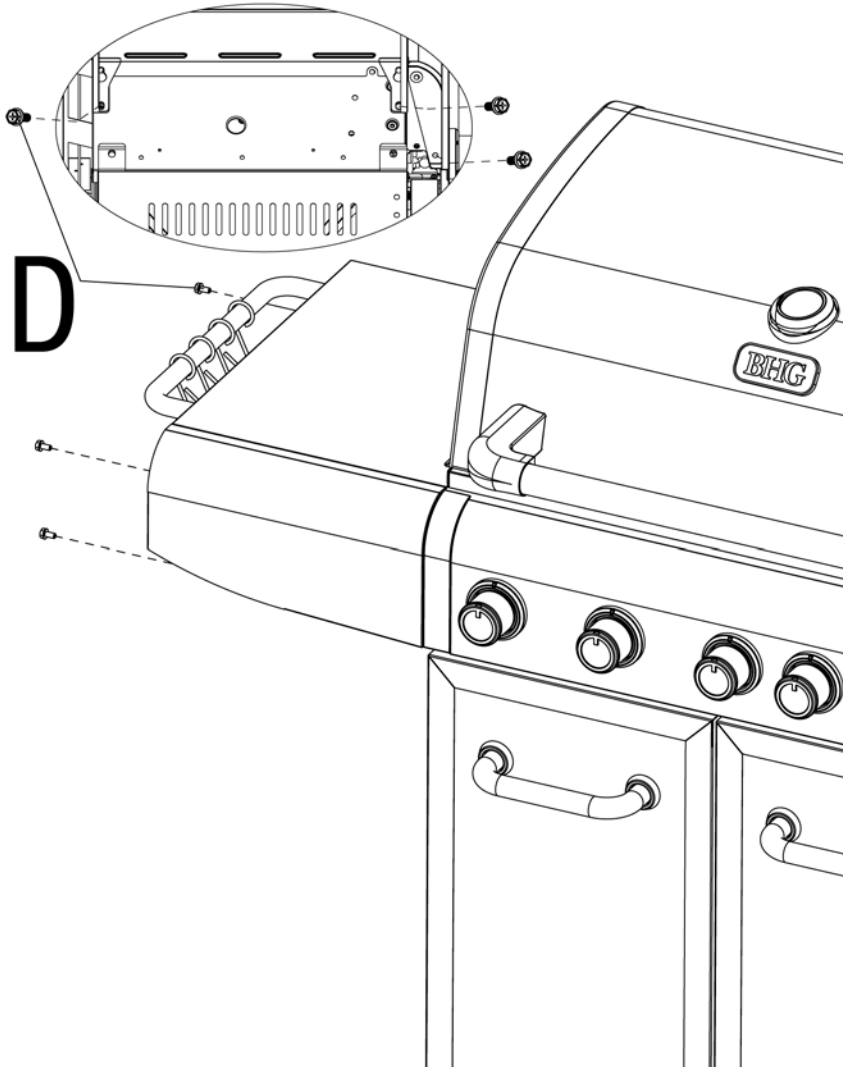
12

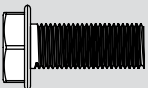
Acople la repisa izquierda

Nota: Deje expuesto un segmento de la rosca del perno de unos 5 mm.



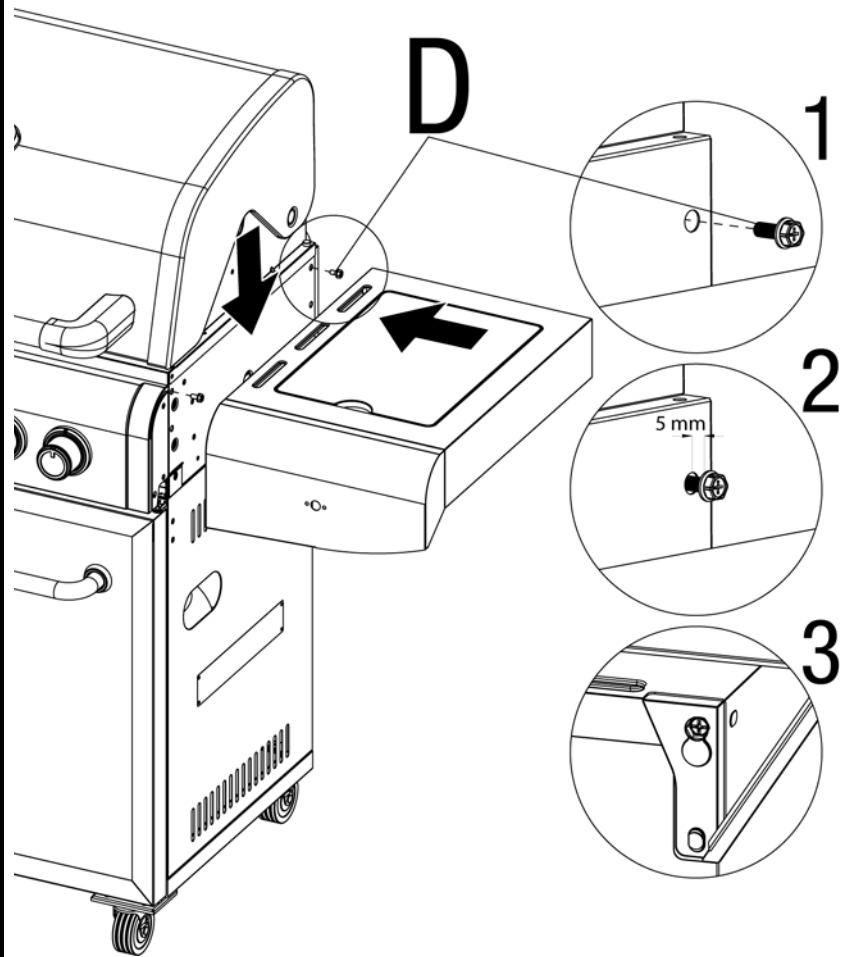
### 13 Asegure la repisa derecha



D  x 3

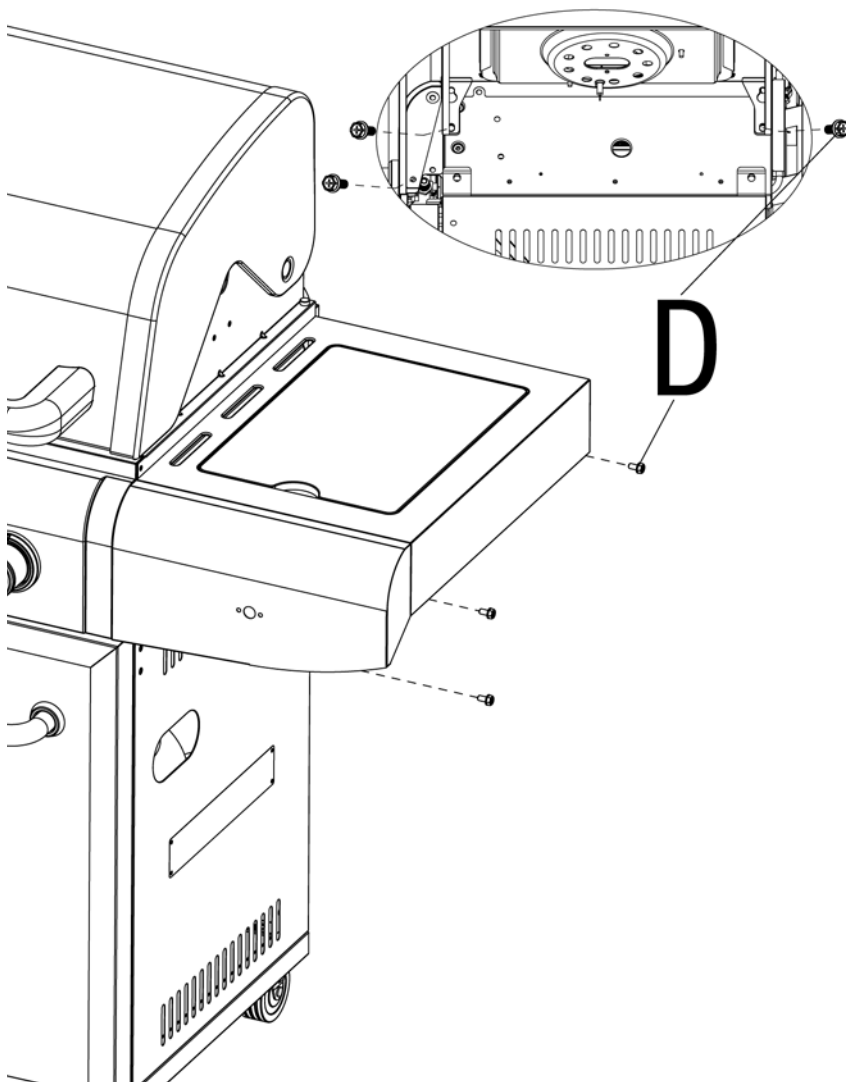
### 14 Asegure la repisa derecha

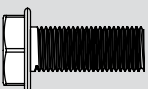
Nota: Deje expuesto un segmento de la rosca del perno de unos 5 mm.



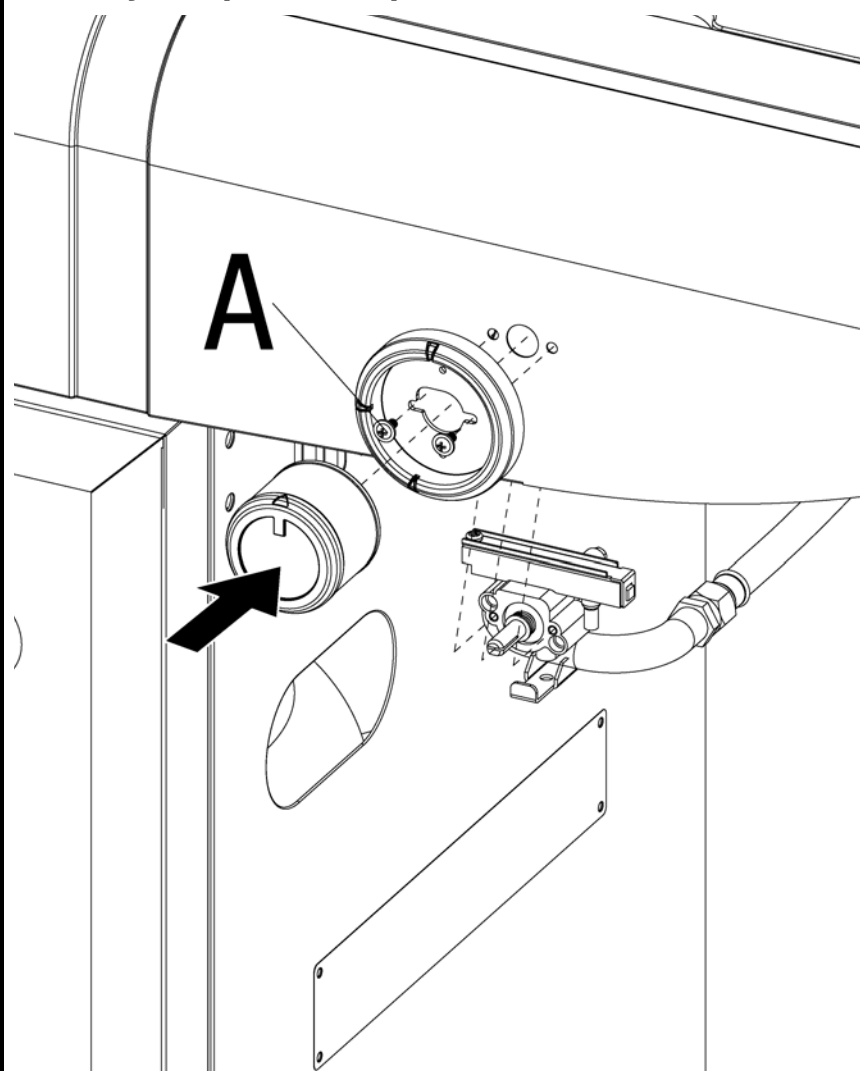
D  x 2


### 15 Asegure la repisa derecha



D  x 3

### 16 Acople el regulador del quemador lateral, la perilla de control y el soporte de la perilla de control

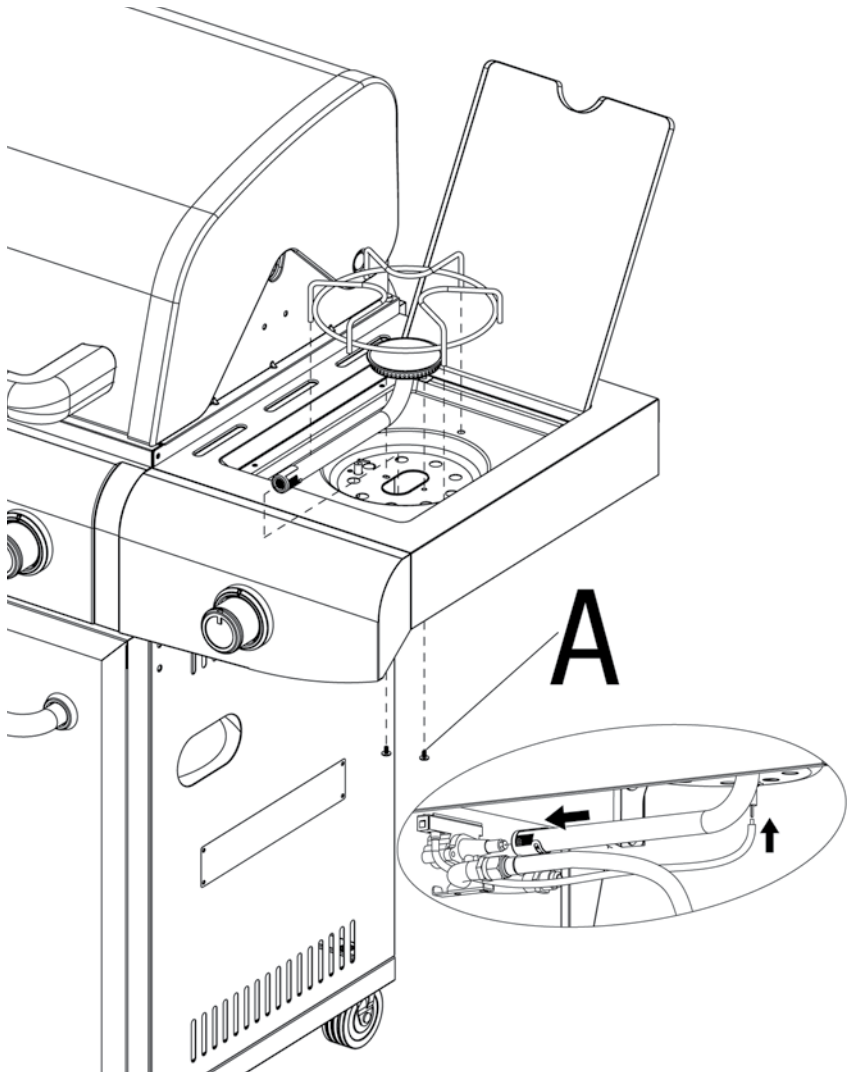


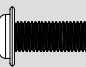
A  x 2



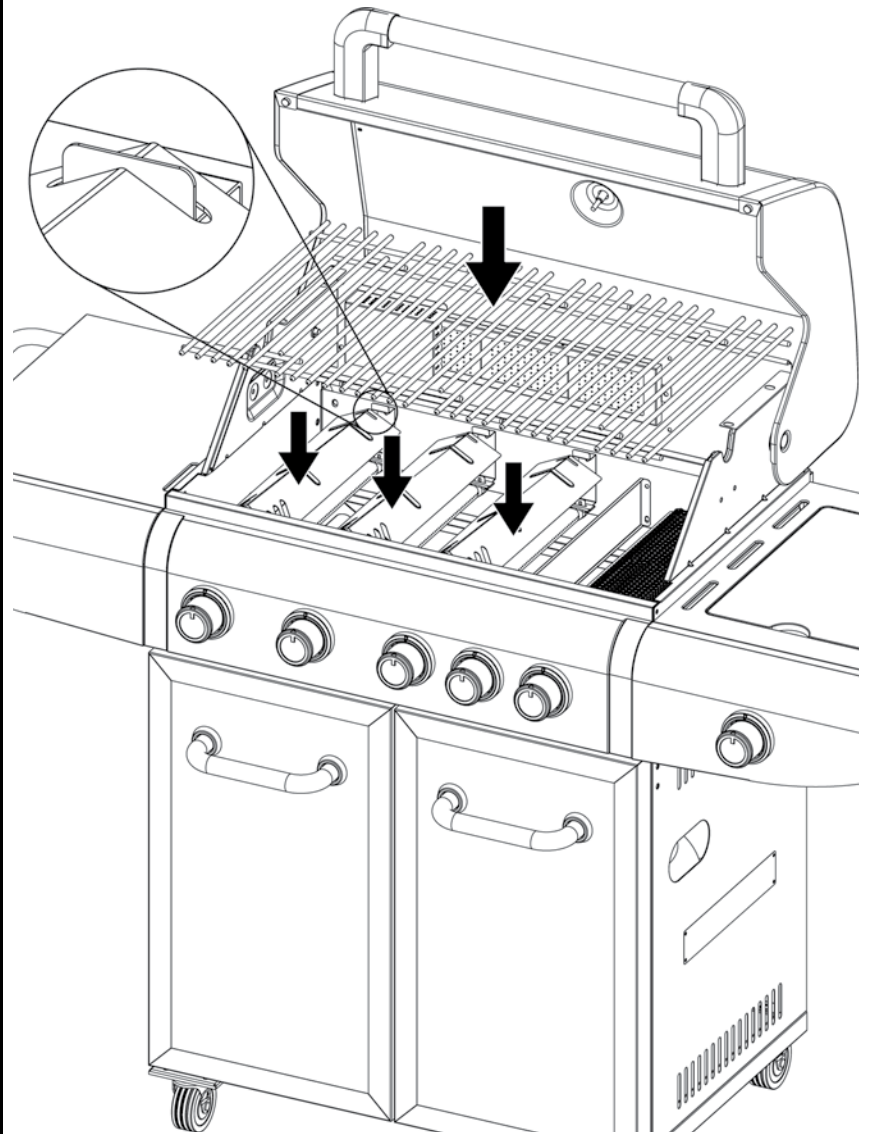
Instrucciones de armado (continuación)

**17** Acople el quemador lateral, el alambre del encendedor y la rejilla del quemador lateral

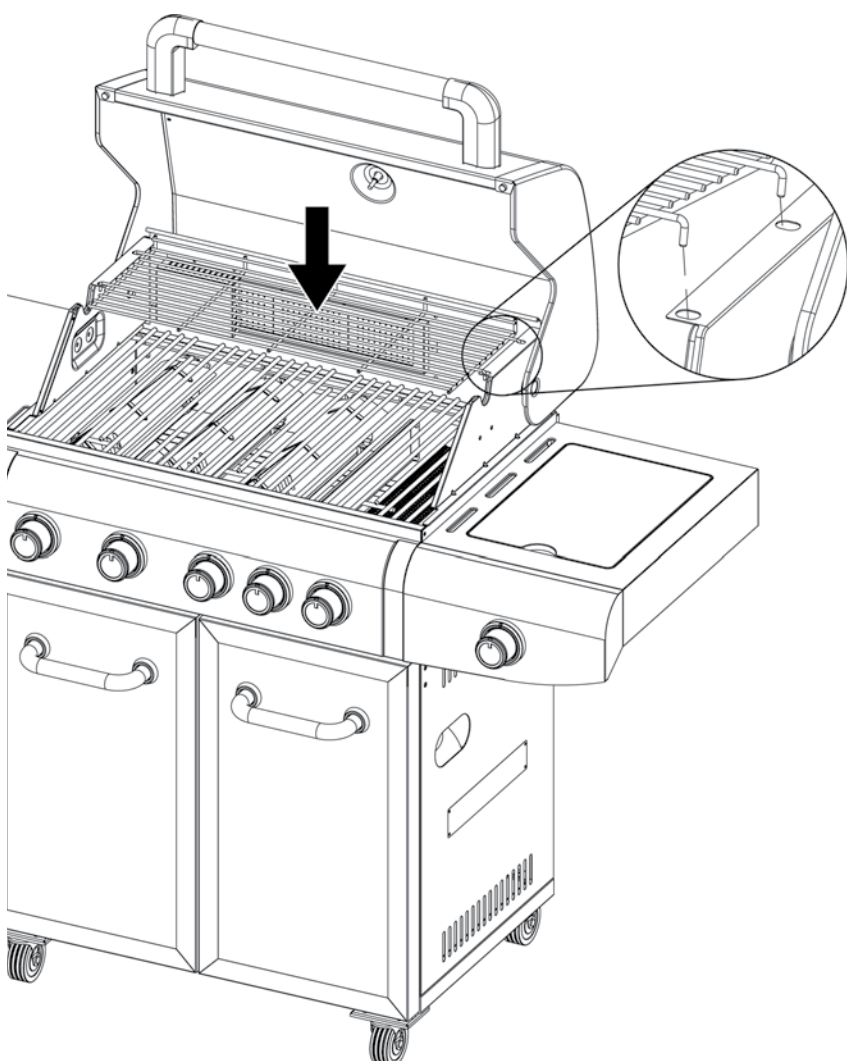


A  x 2

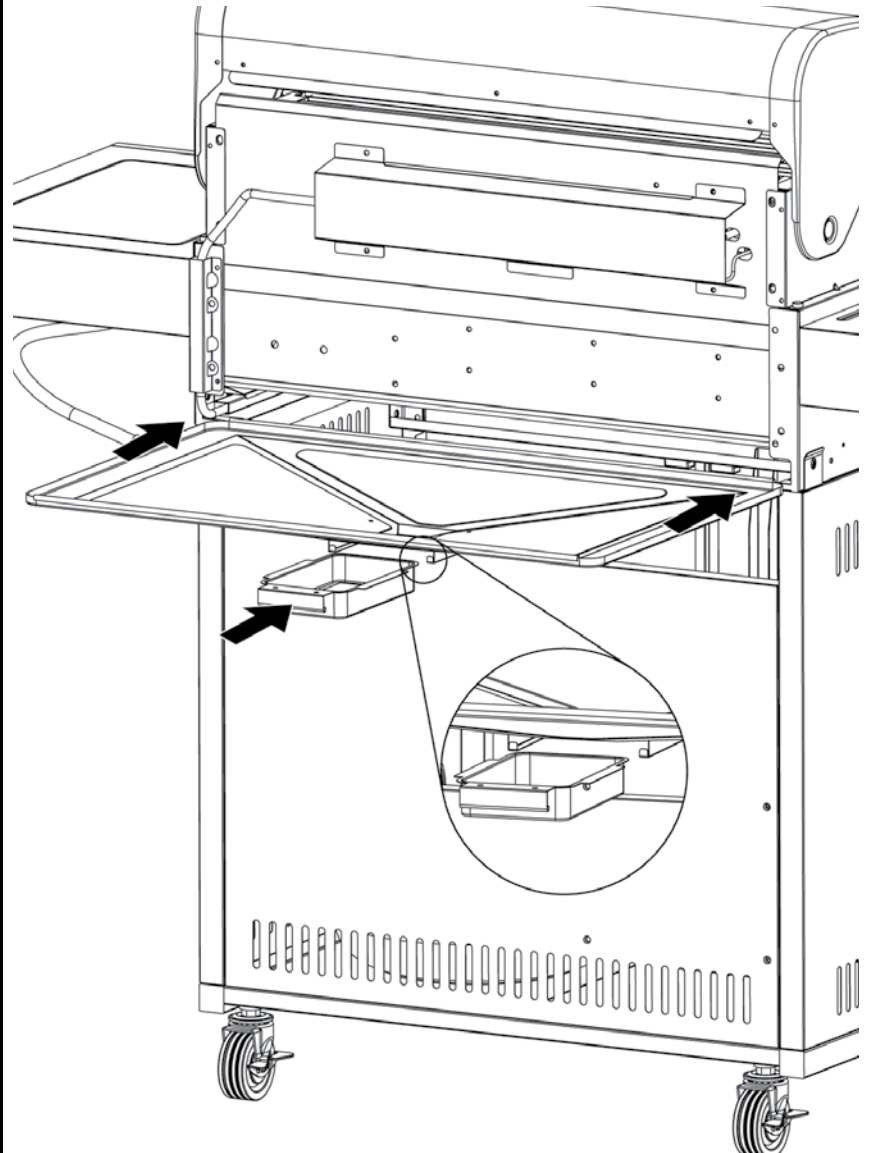
**18** Coloque las placas de distribución de calor y las rejillas de cocción



**19** Coloque la rejilla de calentamiento



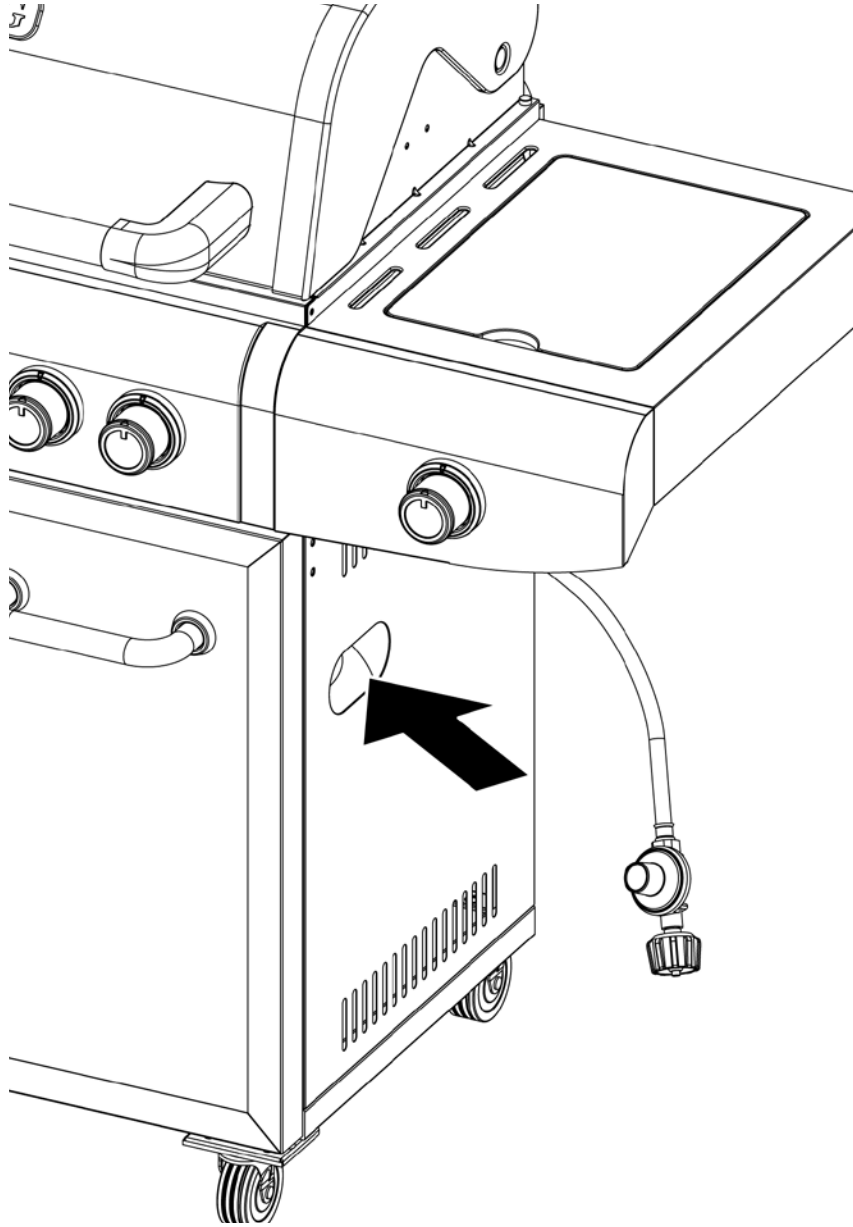
**20** Inserte la bandeja para la grasa y el recogedor de grasa



Si necesita ayuda llame al 1.800.762.1142. No vuelva al lugar de compra.  
Para obtener excelentes recetas y sugerencias, visite [recipes.uniflame.com](http://recipes.uniflame.com)

21

Inserte el regulador y la válvula de control



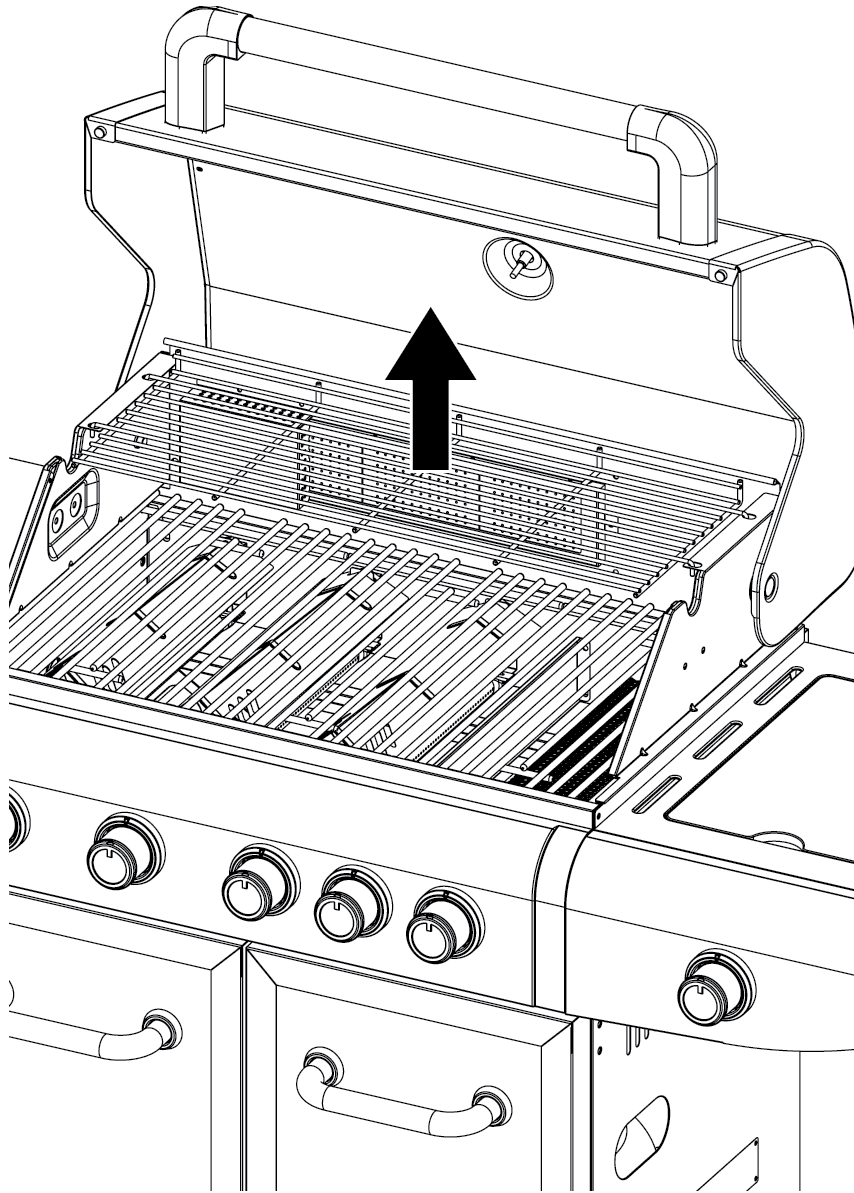
**Está disponible el kit de conversión a gas natural, número de modelo VFK1000W.**



**Instrucciones de armado - Rostizador**

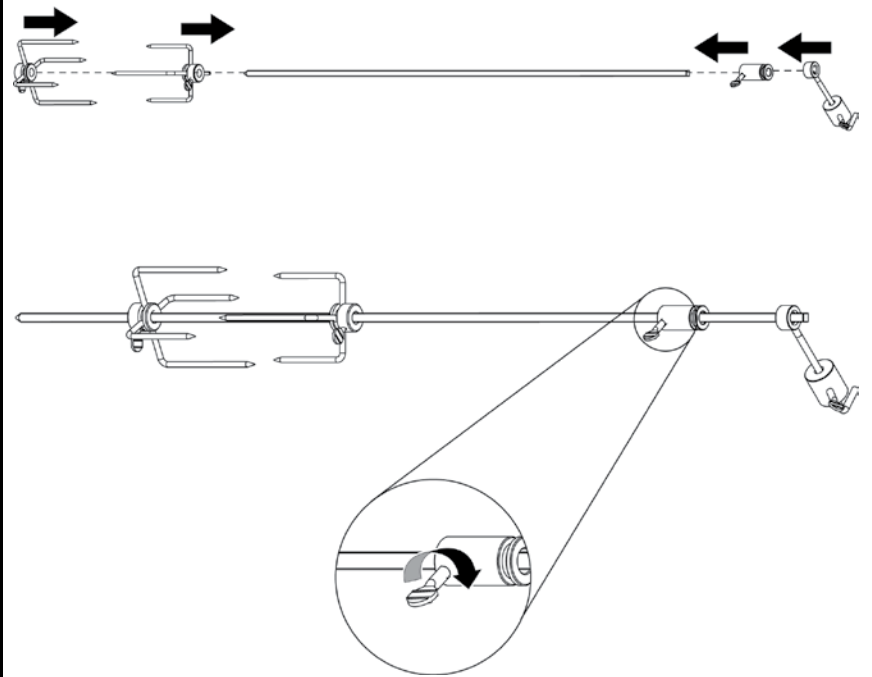
**1**

**Retire la rejilla de calentamiento**



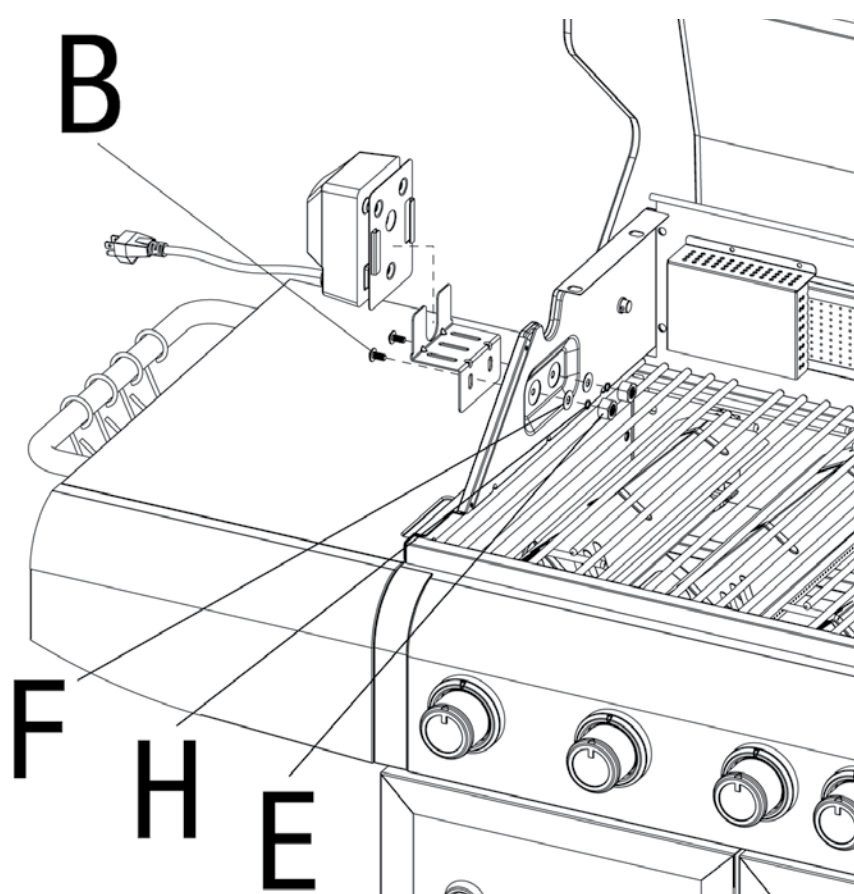
**2**

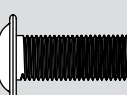



**Arme la varilla del rostizador**



**3**

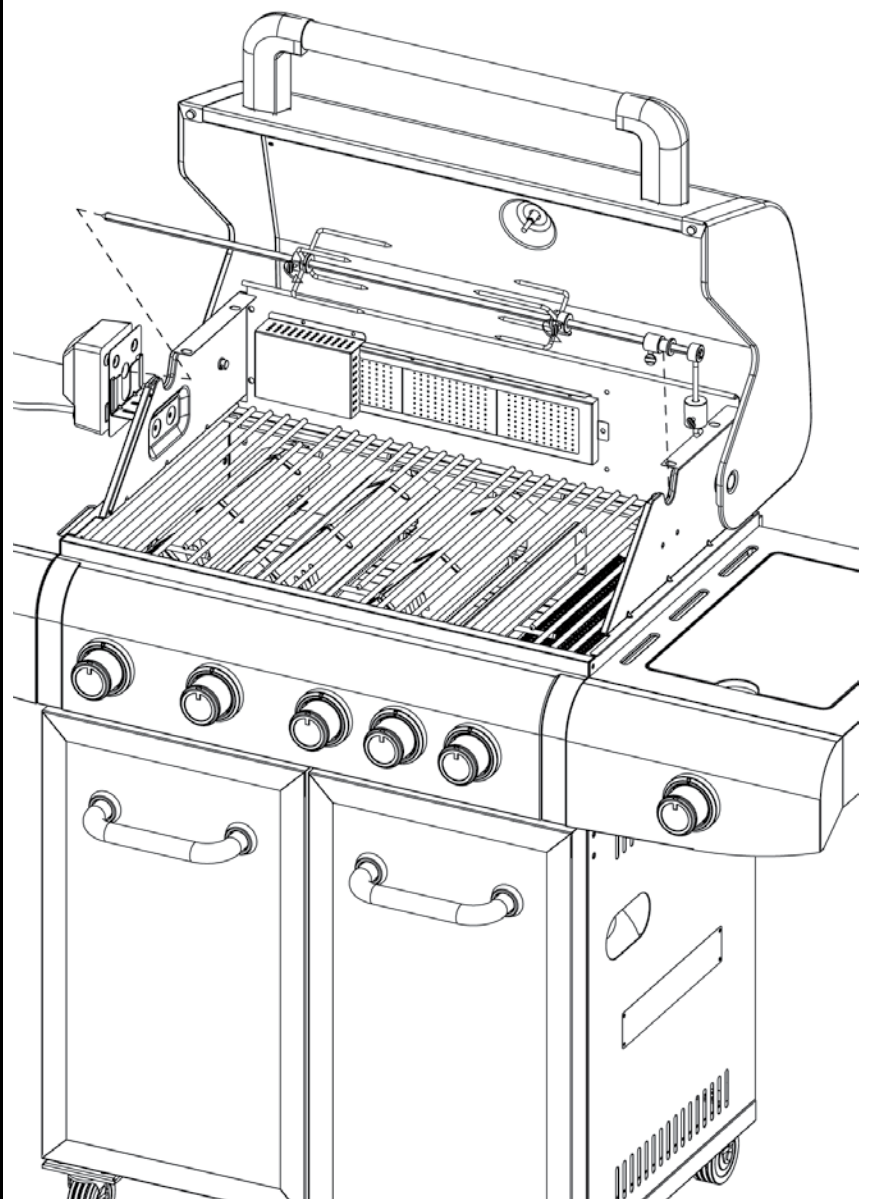
**Acople el soporte del motor del rostizador y el motor del rostizador**



- |          |  |          |  |
|----------|--|----------|--|
| <b>B</b> |  x2 | <b>F</b> |  x2 |
| <b>E</b> |  x2 | <b>H</b> |  x2 |

**4**

**Inserte la varilla del rostizador**

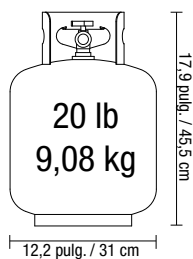


**Si necesita ayuda llame al 1.800.762.1142. No vuelva al lugar de compra. Para obtener excelentes recetas y sugerencias, visite [recipes.uniflame.com](http://recipes.uniflame.com)**

## Instalación del tanque de gas propano líquido

Para operar la parrilla usted necesitará un (1) tanque de gas propano líquido de 20 libras (9 kg), para parrilla estándar, llenado con precisión y con rosca para la conexión de la válvula externa.

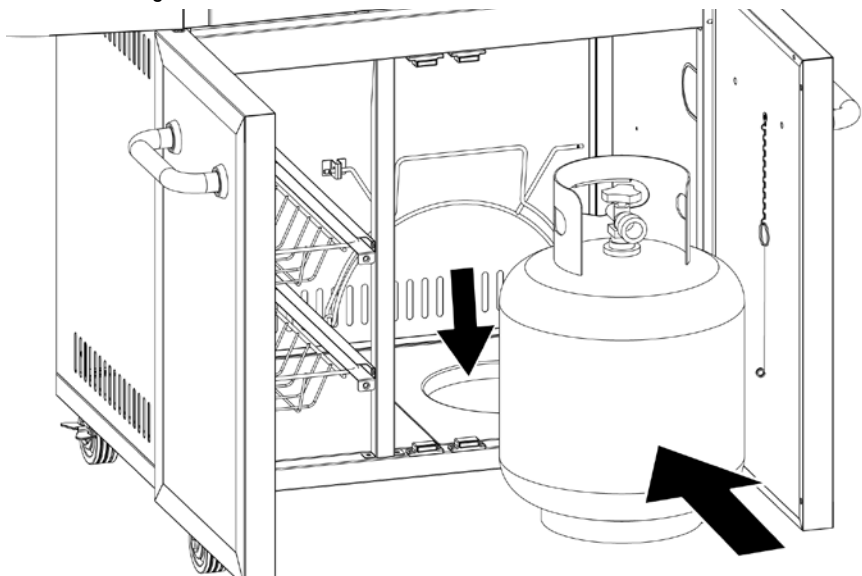
Nota: Un tanque estándar vacío de gas propano líquido para parrilla pesa aproximadamente 18 libras (8,1 kg). Un tanque estándar de gas propano líquido para parrilla llenado con precisión no debe pesar más de 38 libras (17,2 kg).



**⚠ PRECAUCIÓN: El tanque de gas propano líquido debe desconectarse correctamente y retirarse antes de mover esta parrilla.**

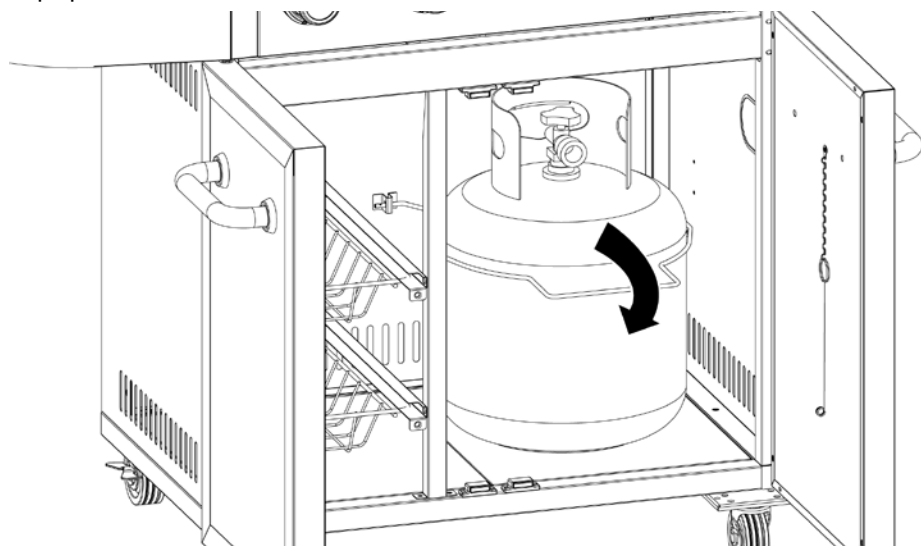
## Insertar el tanque de propano

Coloque un tanque de propano, llenado con precisión, en posición vertical de manera que quede sentado en las muescas del marco derecho del carro y que la válvula esté orientada hacia la línea de gas.



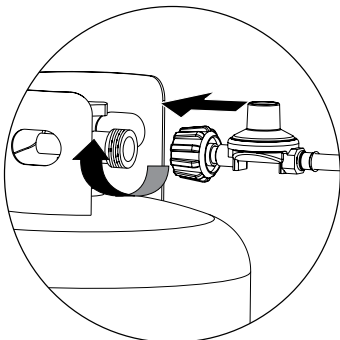
## Asegurar el tanque de propano

Asegure el tanque pasando el alambre de retención del tanque por sobre el hombro del tanque de propano.



## Conectar el tanque de gas propano líquido

Antes de conectar el tanque, asegúrese de que tanto la cabeza del mismo como la del regulador y los orificios/puertos del quemador, están libres de cualquier suciedad. Conecte el regulador y su manguera al tanque girando la perilla en la dirección de las manecillas de reloj hasta su límite.



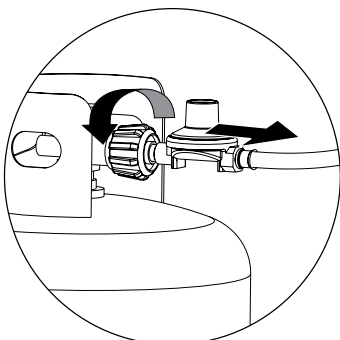
## Desconectar el tanque de gas propano líquido

Antes de desconectar el tanque, asegúrese de que la válvula del tanque de gas propano líquido está en la posición "CLOSED" (cerrado)

Desconecte el regulador y su manguera del tanque girando la perilla en la dirección contraria a las manecillas de reloj hasta que esté floja.

**⚠ PRECAUCIÓN: El tanque de gas propano líquido debe desconectarse correctamente y retirarse antes de mover esta parrilla.**

Coloque la cubierta de la tapa protectora en el tanque de gas propano líquido y almacene el tanque en exteriores en un área con buena ventilación y en donde no le caiga la luz solar directamente.



**¿Necesita un tanque de gas?** Pruebe nuestro servicio de intercambio de tanques. Es sencillo, rápido, seguro y está disponible en decenas de miles de puestos de venta a lo largo de todo el país. Puede comprar un nuevo tanque lleno o cambiar su tanque vacío por un lleno.

## Instalación de la línea de gas natural

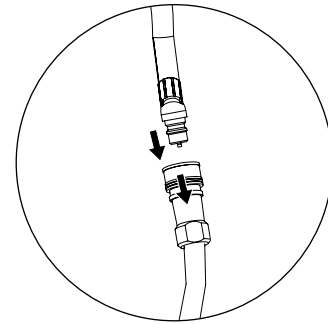
La instalación debe realizarla un técnico de servicio calificado.

**PRECAUCIÓN: Si hay niños en el área, debe considerar instalar una válvula de cierre.**

### Conectar la línea de gas natural

Antes de hacer la conexión, asegúrese de que no hayan residuos atrapados en el cabezal de la línea de gas natural, en el cabezal de la manguera de gas natural de la parrilla ni en el cabezal del quemador y los orificios del quemador.

Conecte la manguera de gas natural de la parrilla a la línea principal de gas natural.



### Desconectar la línea de gas natural

Antes hacer la desconexión, asegúrese de que la válvula de la línea principal de gas natural esté cerrada.

Desconecte de la línea principal de gas natural la manguera de gas natural de la parrilla.

## Instrucciones de operación

### Comprobar si hay fugas


#### Conexiones del quemador

1. Asegúrese de conectar adecuadamente la válvula del regulador y su manguera al quemador y al tanque. Si alguien armó la unidad para usted, verifique visualmente la conexión entre el tubo del quemador y el orificio. Asegúrese de que el tubo del quemador encaja sobre el orificio.

**⚠ ADVERTENCIA: El no inspeccionar esta conexión o seguir debidamente estas instrucciones puede causar incendio o explosión ocasionando muerte, graves lesiones o daños a la propiedad.**

2. Por favor, consulte el diagrama para llevar a cabo correctamente la instalación (Figuras 1 y 2).  
3. Si el tubo del quemador no queda a ras con el orificio, por favor llame al 1.800.762.1142.

#### Conexión de la línea de gas y del tanque

1. Prepare unos 80 ml de solución para comprobar si hay fugas mezclando una parte de jabón líquido para lavar platos y tres partes de agua.  
2. Asegúrese de que las perillas de control están en la posición  (apagado). Vea la Figura 3.  
3. **PROPANO (PL):** Conecte el tanque de gas propano líquido siguiendo las instrucciones descritas en la sección "Instalar el tanque de gas propano líquido".  
**GAS NATURAL (GN):** Conecte la línea de gas natural siguiendo las instrucciones descritas en la sección "Instalar la línea de gas natural".  
4. **PROPANO (PL):** Coloque la válvula del tanque de gas propano líquido en la posición "OPEN" (abierto).  
**GAS NATURAL (GN):** Abra la válvula de la línea principal de gas natural.  
5. Aplique con una cuchara la solución de verificación de fugas en todas las ubicaciones marcadas con "X" (vea Figuras 1, 2, 4a y 4b).

a. **PROPANO (PL):** Si en cualquier punto aparecen burbujas, cierre el gas girando la válvula del tanque de propano a la posición "CLOSED" (cerrado), vuelva a conectar y verifique nuevamente.

**GAS NATURAL (GN):** Si en cualquier punto aparecen burbujas, cierre la válvula de la línea principal de gas natural, vuelva a conectar y verifique nuevamente.

b. **PROPANO (PL):** Si las burbujas continúan apareciendo después de varios ensayos, cierre el gas girando la válvula del tanque de propano a la posición "CLOSED" (cerrado), desconecte el tanque de propano de acuerdo con las instrucciones descritas en la sección "Desconectar el tanque de gas propano líquido" y llame al teléfono 1.800.762.1142 para obtener ayuda.

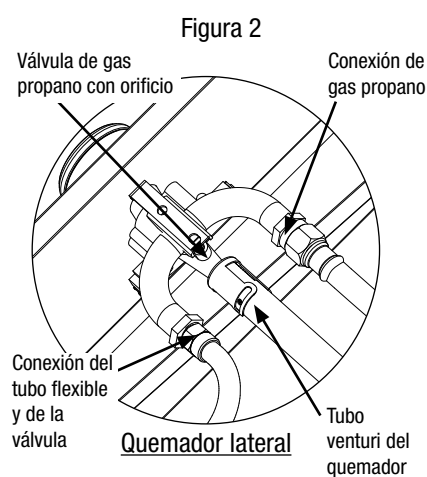
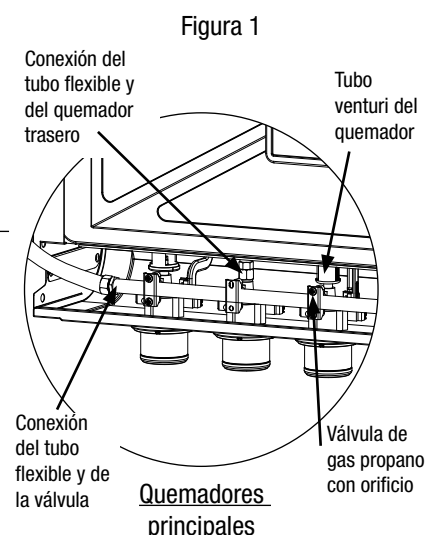


Figura 3  
OFF  
APAGADO 

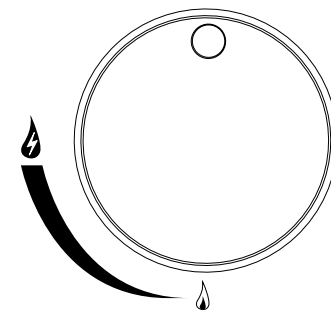


Figura 4a

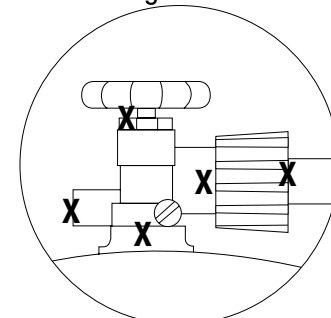
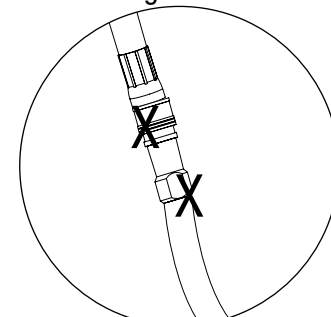


Figure 4b



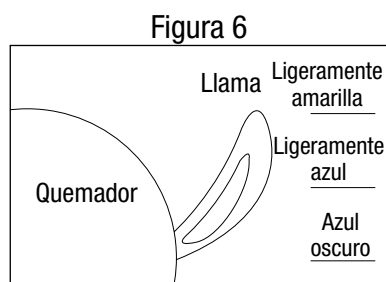
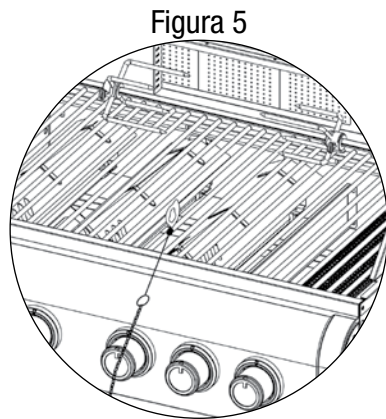


## Instrucciones de operación (continuación)

**GAS NATURAL (GN):** Si las burbujas continúan apareciendo después de varios ensayos, cierre la válvula de la línea principal de gas natural, desconecte la manguera de gas natural de la parrilla de acuerdo con las instrucciones descritas en la sección “Desconectar la línea de gas natural” y llame al teléfono 1.800.762.1142 para obtener ayuda.

c. **PROPANO (PL):** Si no aparecen burbujas por un lapso de un minuto, cierre el gas girando la válvula del tanque de propano a la posición “CLOSED” (cerrado) y limpie la solución para continuar el proceso.

**GAS NATURAL (GN):** Si no aparecen burbujas por un lapso de un minuto, cierre la válvula de la línea principal de gas natural y limpie la solución para continuar el proceso.



### Operación de los quemadores principales:

#### Uso por primera vez

1. Verifique que todos los empaques, etiquetas y envolturas de protección han sido removidos de la parrilla.
2. Retire todo aceite de fabricación que encuentre en la unidad antes de usar la parrilla por primera vez, encendiendo la parrilla por lo menos por 15 minutos en la graduación 🔥 (alto), con la tapa cerrada. Esto realizará una “limpieza por calor” en las piezas internas de la unidad y hará que los olores se disipen.

#### Encendido

- ▲ **PRECAUCIÓN: Mantenga el área del aparato de cocción para exteriores limpia y libre de materiales combustibles, gasolina y otros líquidos y vapores inflamables.**
- ▲ **PRECAUCIÓN: No obstruya el flujo del aire de ventilación y combustión.**
- ▲ **PRECAUCIÓN: Revise y limpie el quemador/tubos ventura para eliminar los insectos y nidos de insectos. Un tubo obstruido puede causar un incendio debajo de la parrilla.**
- ▲ **PRECAUCIÓN: No trate de encender el quemador con la tapa cerrada ya que puede causar una explosión.**

1. Abra la tapa. ¡Si intenta encender el quemador con la tapa cerrada puede provocar una explosión!
2. Asegúrese de que no hay nada que obstruya el flujo de aire en la unidad de gas. Arañas y otros insectos pueden formar sus nidos dentro y obstruir los orificios del quemador/tubo de venturi. Un tubo de quemador obstruido puede provocar un incendio debajo del aparato.
3. Todas las perillas tienen que estar en la posición 🔒 (apagado). Vea la Figura 3.
4. **PROPANO (PL):** Conecte el tanque de gas propano líquido siguiendo las instrucciones descritas en la sección “Instalar el tanque de gas propano líquido”.
- GAS NATURAL (GN):** Conecte la línea de gas natural siguiendo las instrucciones descritas en la sección “Instalar la línea de gas natural”.
5. **PROPANO (PL):** Coloque la válvula del tanque de gas propano líquido en la posición “OPEN” (abierto).
- GAS NATURAL (GN):** Abra la válvula de la línea principal de gas natural.
6. Presione y gire la perilla de control lentamente a la posición 🔥 (alto) hasta escuchar un clic. Debe encenderse el quemador. Si no se enciende, repita hasta un máximo de tres veces.
7. Si el quemador no se enciende en 5 segundos, gire la perilla de control del quemador a la posición 🔒 (apagado), espere 5 minutos y vuelva a repetir el procedimiento de encendido.
8. En caso de que el encendedor no encienda el quemador, use una cerilla encendida colocada en la vara de encendido que se acompaña para encender los quemadores manualmente. Gane acceso a los quemadores por el espacio entre la rejilla de cocción y las placas de distribución de calor. Acerque la llama de la cerilla al lado del quemador (vea Figura 5).

**Importante:** Use siempre la vara de encendido que se incluye, cuando desee encender los quemadores con una cerilla.

9. Después de encender el quemador observe su llama y asegúrese de que todos los orificios estén encendidos y que la altura de la llama corresponda a la del diagrama (vea Figura 6).

*Nota:* Cada quemador se enciende independientemente, repita los pasos 5 a 9 para los demás quemadores.

- ▲ **PRECAUCIÓN: Si la llama del quemador se apaga durante el funcionamiento, cierre el gas inmediatamente girando la perilla a la posición 🔒 (apagado).**

(a) **PROPANO:** Coloque la válvula del tanque de gas propano líquido en posición “CLOSED” (cerrado).

(b) **GAS NATURAL:** Cierre la válvula de la línea principal de gas natural. Abra la tapa durante 5 minutos para dejar que la zona quede despejada de gas antes de volver a encenderlo.

#### Apagado:

1. **PROPANO (PL):** Cierre la válvula del tanque de gas propano líquido a la posición “CLOSED” (cerrado).  
**GAS NATURAL (GN):** Cierre la válvula de la línea principal de gas natural.
2. Gire todas las perillas de control en la dirección de las manecillas del reloj a la posición 🔒 (apagado).  
*Nota:* El ruido de “puf” es normal cuando el residuo de gas propano licuado en la línea se ha extinguido.
3. **PROPANO (PL):** Desconecte el tanque de propano de acuerdo con las instrucciones descritas en la sección “Desconectar el tanque de gas propano líquido”.  
**GAS NATURAL (GN):** Deje la línea principal de gas natural conectada.

#### Cocción directa

- ▲ **PRECAUCIÓN: No deje la parrilla sin supervisión al precalentar o quemar residuos de alimentos con la perilla en la posición 🔥 (alto). Si la parrilla no ha sido limpiada, puede incendiarse la grasa y dañar la parrilla.**

Cocción directa sobre los quemadores calientes. Ideal para chamuscar los jugos y para cocer alimentos que requieran menos de 25 minutos de tiempo de asado, tales como bistec, hamburguesas, perros calientes, porciones de aves, legumbres y frutas.

1. Abra la tapa y encienda los quemadores requeridos siguiendo las instrucciones de encendido.
2. Cierre la tapa y haga un calentamiento previo de la parrilla en la graduación 🔥 (alto).
3. Use guantes de protección y tenacillas de mango largo para colocar los alimentos en las rejillas de cocción sobre los quemadores encendidos.
4. Ajuste los controles a la temperatura deseada.
5. Con la tapa abierta o cerrada haga la cocción de los alimentos hasta que la temperatura interna del alimento se haya alcanzado.
6. Apague la parrilla de acuerdo con las instrucciones “Apagado”.

Para mayores sugerencias sobre cocción directa, por favor consulte la sección “Sugerencias para una mejor preparación de los alimentos y una vida útil más larga de la parrilla”.

#### Cocción indirecta

- ▲ **PRECAUCIÓN: No deje la parrilla sin supervisión al precalentar o quemar residuos de alimentos con la perilla en la posición 🔥 (alto). Si la parrilla no ha sido limpiada, puede incendiarse la grasa y dañar la parrilla.**

En este proceso la cocción no se hace directamente sobre las briquetas encendidas. Es ideal para cocer alimentos de lento cocimiento que requieren más de 25 minutos, tales como: asados, lomos, chuletas, pollos enteros, pavos, pescado y alimentos horneados.

1. Abra la tapa y encienda los quemadores requeridos siguiendo las instrucciones de encendido del manual del usuario.
2. Cierre la tapa y haga un calentamiento previo de la parrilla en la graduación 🔥 (alto).
3. Use guantes de protección y tenacillas de mango largo para colocar los alimentos en las rejillas de cocción sobre los quemadores apagados.
4. Ajuste los controles a la temperatura deseada.
5. Con la tapa abierta o cerrada haga la cocción de los alimentos hasta que la temperatura interna del alimento se haya alcanzado.
6. Apague la parrilla de acuerdo con las instrucciones “Apagado”.

Para mayores sugerencias sobre cocción indirecta, por favor consulte la sección “Sugerencias para una mejor preparación de los alimentos y una vida útil más larga de la parrilla”.

#### Control de las llamaradas

- ▲ **PRECAUCIÓN: No se pueden apagar fuegos de grasa cerrando la tapa.**
  - **En caso de fuego de grasa, gire las perillas a la posición 🔒 (apagado) y:**
    - (a) **PROPANO (PL):** Cierre la válvula del tanque de gas propano líquido a la posición “CLOSED” (cerrado).
    - (b) **GAS NATURAL (GN):** Cierre la válvula de la línea principal de gas natural.
  - **No use agua en una llamarada de grasa. Esto puede ocasionar el salpique de la grasa y causar serias quemaduras, lesiones personales y otros daños.**
  - **No deje la parrilla sin supervisión al precalentar o quemar residuos de alimentos con la perilla en la posición 🔥 (alto). Si la parrilla no ha sido limpiada, puede incendiarse la grasa y dañar la parrilla.**


- ▲ **ADVERTENCIA: Cuando esté usando la parrilla, debe tener fácilmente a su alcance materiales para extinguir el fuego. En caso de una llamarada de aceite o de grasa, no trate de extinguirla con agua. Use un extinguidor de incendio de sustancias químicas secas, tipo BC, o asfíxiele el fuego con tierra, arena o soda de hornear.**

La llamarada es parte de la cocción de carne en una parrilla y le da al asado un sabor único. Pero las llamaradas excesivas pueden cocer demasiado los alimentos y constituyen una situación peligrosa para usted y su parrilla.

**Importante:** Las llamaradas excesivas resultan de la acumulación de grasa en el fondo de la parrilla.


**Si necesita ayuda llame al 1.800.762.1142. No vuelva al lugar de compra.  
Para obtener excelentes recetas y sugerencias, visite [recipes.uniflame.com](http://recipes.uniflame.com)**

**Haga mínimas las llamadas:**

1. Retire el exceso de grasa de la carne antes de cocerla.
2. Cuando cueza carnes de alto contenido de grasa, ponga la parrilla a bajo fuego en la graduación  o cueza la carne a fuego indirecto.
3. Verifique que la parrilla ha quedado colocada sobre una superficie no combustible, nivelada y firme, y que la grasa pueda evacuarse hasta el recogedor de grasa.

**Operación del quemador de soasar infrarrojo**



**Uso por primera vez**


1. Verifique que todos los empaques, etiquetas y envolturas de protección han sido removidos de la parrilla.
2. Retire todo aceite de fabricación que encuentre en la unidad antes de usar la parrilla por primera vez, encendiendo la parrilla por lo menos por 15 minutos en la graduación  (alto), con la tapa cerrada. Esto realizará una "limpieza por calor" en las piezas internas de la unidad y hará que los olores se disipen.

**Encendido**


- ▲ **PRECAUCIÓN: Mantenga el área del aparato de cocción para exteriores limpia y libre de materiales combustibles, gasolina y otros líquidos y vapores inflamables.**
- ▲ **PRECAUCIÓN: No obstruya el flujo del aire de ventilación y combustión.**
- ▲ **PRECAUCIÓN: Revise y limpie el quemador/tubos ventura para eliminar los insectos y nidos de insectos. Un tubo obstruido puede causar un incendio debajo de la parrilla.**
- ▲ **PRECAUCIÓN: No trate de encender el quemador con la tapa cerrada ya que puede causar una explosión.**

NOTA: El quemador de soasar infrarrojo puede usarse mientras funcionan los quemadores principales.


1. Abra la tapa. **¡Si intenta encender el quemador con la tapa cerrada puede provocar una explosión!**
2. Asegúrese de que no hay nada que obstruya el flujo de aire en la unidad de gas. Arañas y otros insectos pueden formar sus nidos dentro y obstruir los orificios del quemador/tubo de venturi. Un tubo de quemador obstruido puede provocar un incendio debajo del aparato.
3. Todas las perillas tienen que estar en la posición  (apagado). Vea la Figura 3.
4. **PROPANO (PL):** Conecte el tanque de gas propano líquido siguiendo las instrucciones descritas en la sección "Instalar el tanque de gas propano líquido".  
**GAS NATURAL (GN):** Conecte la línea de gas natural siguiendo las instrucciones descritas en la sección "Instalar la línea de gas natural".
5. **PROPANO (PL):** Coloque la válvula del tanque de gas propano líquido en la posición "OPEN" (abierto).  
**GAS NATURAL (GN):** Abra la válvula de la línea principal de gas natural.
6. Presione y gire la perilla de control lentamente a la posición  (alto) hasta escuchar un clic. Debe encenderse el quemador. Si no se enciende, repita hasta un máximo de tres veces.  
NOTA: El quemador infrarrojo debe volverse rojo después de 2 a 3 minutos.

7. Si el quemador no se enciende en 5 segundos, gire la perilla del quemador a la posición  (apagado), espere 5 minutos y vuelva a repetir el procedimiento de encendido.
8. En caso de que el encendedor no encienda el quemador, use una cerilla encendida colocada en la vara de encendido que se acompaña para encender los quemadores manualmente. Acerque la llama de la cerilla al lado del quemador (vea Figura 7).

**Importante:** Use siempre la vara de encendido que se incluye, cuando desee encender los quemadores con una cerilla.

- ▲ **PRECAUCIÓN: Si la llama del quemador se apaga durante el funcionamiento, cierre el gas inmediatamente girando la perilla a la posición  (apagado).**
  - (a) **PROPANO (PL):** Coloque la válvula del tanque de gas propano líquido en posición "CLOSED" (cerrado).
  - (b) **GAS NATURAL (GN):** Cierre la válvula de la línea principal de gas natural.
- Abra la tapa durante 5 minutos para dejar que la zona quede despejada de gas antes de volver a encenderlo.**

**Apagado:**

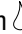


1. **PROPANO (PL):** Cierre la válvula del tanque de gas propano líquido a la posición "CLOSED" (cerrado).  
**GAS NATURAL (GN):** Cierre la válvula de la línea principal de gas natural.
2. Gire todas las perillas de control en la dirección de las manecillas del reloj a la posición  (apagado).  
*Nota:* El ruido de "puf" es normal cuando el residuo de gas propano licuado en la línea se ha extinguido.
3. **PROPANO (PL):** Desconecte el tanque de propano de acuerdo con las instrucciones descritas en la sección "Desconectar el tanque de gas propano líquido" y guárdelo en un lugar apropiado.  
**GAS NATURAL (GN):** Deje la línea principal de gas natural conectada.

**Operación del quemador lateral**


NOTA: Se puede usar el quemador lateral si los quemadores principales están encendidos. Nunca use el quemador lateral como parrilla.

- ▲ **PRECAUCIÓN: La carga máxima para el quemador lateral y la repisa lateral es 33 libras (15 kg).**
- ▲ **PRECAUCIÓN: Si usa ollas más grandes que 5,6 litros de capacidad puede exceder el peso límite de la repisa del quemador lateral y causar un fallo de los componentes del carro de la parrilla.**
- ▲ **PRECAUCIÓN: NO se apoye en la repisa del quemador lateral.**


**Encendido**

1. Abra la tapa. **¡Si intenta encender el quemador con la tapa cerrada puede provocar una explosión!**
2. Asegúrese de que no hay nada que obstruya el flujo de aire en la unidad de gas. Arañas y otros insectos pueden formar sus nidos dentro y obstruir los orificios del quemador/tubo de venturi. Un tubo de quemador obstruido puede provocar un incendio debajo del aparato.
3. Todas las perillas tienen que estar en la posición  (apagado). Vea la Figura 3.
4. **PROPANO (PL):** Conecte el tanque de gas propano líquido siguiendo las instrucciones descritas en la sección "Instalar el tanque de gas propano líquido".  
**GAS NATURAL (GN):** Conecte la línea de gas natural siguiendo las instrucciones descritas en la sección "Instalar la línea de gas natural".
5. **PROPANO (PL):** Coloque la válvula del tanque de gas propano líquido en la posición "OPEN" (abierto).  
**GAS NATURAL (GN):** Abra la válvula de la línea principal de gas natural.
6. Presione y gire la perilla de control lentamente a la posición  (alto) hasta escuchar un clic. Debe encenderse el quemador. Si no se enciende, repita hasta un máximo de tres veces.  
NOTA: El quemador infrarrojo debe volverse rojo después de 2 a 3 minutos.
7. Si el quemador no se enciende en 5 segundos, gire la perilla del quemador a la posición  (apagado), espere 5 minutos y vuelva a repetir el procedimiento de encendido.
8. En caso de que el encendedor no encienda el quemador, use una cerilla encendida colocada en la vara de encendido que se acompaña para encender los quemadores manualmente. Acerque la llama de la cerilla al lado del quemador (vea Figura 8).

**Importante:** Use siempre la vara de encendido que se incluye, cuando desee encender los quemadores con una cerilla.

9. Después de encender el quemador observe su llama y asegúrese de que todos los orificios estén encendidos y que la altura de la llama corresponda a la del diagrama (vea Figura 6).
- ▲ **PRECAUCIÓN: Si la llama del quemador se apaga durante el funcionamiento, cierre el gas inmediatamente girando la perilla a la posición  (apagado).**
  - (a) **PROPANO (PL):** Coloque la válvula del tanque de gas propano líquido en posición "CLOSED" (cerrado).
  - (b) **GAS NATURAL (GN):** Cierre la válvula de la línea principal de gas natural.
- Abra la tapa durante 5 minutos para dejar que la zona quede despejada de gas antes de volver a encenderlo.**

**Apagado:**

1. **PROPANO (PL):** Cierre la válvula del tanque de gas propano líquido a la posición "CLOSED" (cerrado).  
**GAS NATURAL (GN):** Cierre la válvula de la línea principal de gas natural.
2. Gire todas las perillas de control en la dirección de las manecillas del reloj a la posición  (apagado).  
*Nota:* El ruido de "puf" es normal cuando el residuo de gas propano licuado en la línea se ha extinguido.
3. **PROPANO (PL):** Desconecte el tanque de propano de acuerdo con las instrucciones descritas en la sección "Desconectar el tanque de gas propano líquido" y guárdelo en un lugar apropiado.  
**GAS NATURAL (GN):** Deje la línea principal de gas natural conectada.

**Cocción**

1. Abra la tapa y encienda el quemador siguiendo las instrucciones de encendido.
2. Gradúe la perilla de control al nivel deseado.
3. Coloque la olla en el centro de la parrilla.
4. Deje cocer los alimentos y ajuste la temperatura si es necesario.
5. Apague la parrilla de acuerdo con las instrucciones "Apagado".

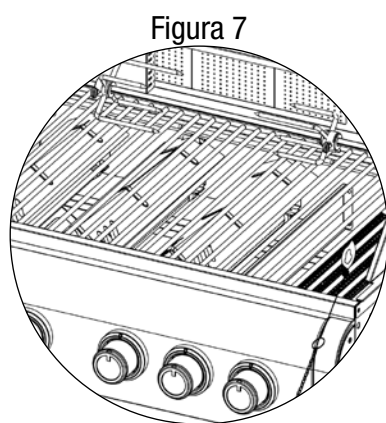


Figura 7

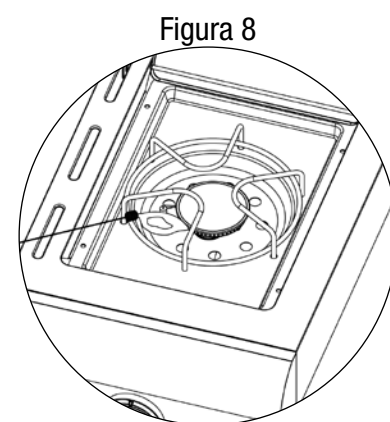


Figura 8



## Instrucciones de operación (continuación)

### Operación del quemador trasero infrarrojo

#### Uso por primera vez

1. Verifique que todos los empaques, etiquetas y envolturas de protección han sido removidos de la parrilla.
2. Retire todo aceite de fabricación que encuentre en la unidad antes de usar la parrilla por primera vez, encendiendo la parrilla por lo menos por 15 minutos en la graduación 🔥 (alto), con la tapa cerrada. Esto realizará una "limpieza por calor" en las piezas internas de la unidad y hará que los olores se disipen.

#### Encendido

- ▲ **PRECAUCIÓN:** Mantenga el área del aparato de cocción para exteriores limpia y libre de materiales combustibles, gasolina y otros líquidos y vapores inflamables.
- ▲ **PRECAUCIÓN:** No obstruya el flujo del aire de ventilación y combustión.
- ▲ **PRECAUCIÓN:** Revise y limpie el quemador/tubos ventura para eliminar los insectos y nidos de insectos. Un tubo obstruido puede causar un incendio debajo de la parrilla.
- ▲ **PRECAUCIÓN:** No trate de encender el quemador con la tapa cerrada ya que puede causar una explosión.

NOTA: El quemador de soasar infrarrojo puede usarse mientras funcionan los quemadores principales.

1. Abra la tapa. **¡Si intenta encender el quemador con la tapa cerrada puede provocar una explosión!**
2. Asegúrese de que no hay nada que obstruya el flujo de aire en la unidad de gas. Arañas y otros insectos pueden formar sus nidos dentro y obstruir los orificios del quemador/tubo de venturi. Un tubo de quemador obstruido puede provocar un incendio debajo del aparato.
3. Todas las perillas tienen que estar en la posición 🔥 (apagado). Vea la Figura 3.
4. **PROPANO (PL):** Conecte el tanque de gas propano líquido siguiendo las instrucciones descritas en la sección "Instalar el tanque de gas propano líquido".

**GAS NATURAL (GN):** Conecte la línea de gas natural siguiendo las instrucciones descritas en la sección "Instalar la línea de gas natural".

5. **PROPANO (PL):** Coloque la válvula del tanque de gas propano líquido en la posición "OPEN" (abierto).  
**GAS NATURAL (GN):** Abra la válvula de la línea principal de gas natural.

6. Presione y gire la perilla de control lentamente a la posición 🔥 (alto) hasta escuchar un clic. Debe encenderse el quemador. Si no se enciende, repita hasta un máximo de tres veces.

NOTA: El quemador infrarrojo debe volverse rojo después de 2 a 3 minutos.

7. Si el quemador no se enciende en 5 segundos, gire la perilla del quemador a la posición 🔥 (apagado), espere 5 minutos y vuelva a repetir el procedimiento de encendido.
8. En caso de que el encendedor no encienda el quemador, use una cerilla encendida colocada en la vara de encendido que se acompaña para encender los quemadores manualmente. Acerque la llama de la cerilla al lado del quemador (vea Figura 9).

**Importante:** Use siempre la vara de encendido que se incluye, cuando desee encender los quemadores con una cerilla.

- ▲ **PRECAUCIÓN:** Si la llama del quemador se apaga durante el funcionamiento, cierre el gas inmediatamente girando la perilla a la posición 🔥 (apagado).
  - (a) **PROPANO:** Coloque la válvula del tanque de gas propano líquido en posición "CLOSED" (cerrado).
  - (b) **GAS NATURAL:** Cierre la válvula de la línea principal de gas natural. Abra la tapa durante 5 minutos para dejar que la zona quede despejada de gas antes de volver a encenderlo.

#### Apagado:

1. **PROPANO (PL):** Cierre la válvula del tanque de gas propano líquido a la posición "CLOSED" (cerrado).  
**GAS NATURAL (GN):** Cierre la válvula de la línea principal de gas natural.
2. Gire todas las perillas de control en la dirección de las manecillas del reloj a la posición 🔥 (apagado).  
*Nota:* El ruido de "puf" es normal cuando el residuo de gas propano licuado en la línea se ha extinguido.
3. **PROPANO (PL):** Desconecte el tanque de propano de acuerdo con las instrucciones descritas en la sección "Desconectar el tanque de gas propano líquido" y guárdelo en un lugar apropiado.  
**GAS NATURAL (GN):** Deje la línea principal de gas natural conectada.

### Sugerencias para una mejor preparación de los alimentos y una vida útil más larga de la parrilla

1. Para obtener excelentes recetas y sugerencias, visite [recipes.uniflame.com](http://recipes.uniflame.com).
2. Para sugerencias de seguridad visite: [http://www.fsis.usda.gov/Fact\\_Sheets/Barbecue\\_Food\\_Safety](http://www.fsis.usda.gov/Fact_Sheets/Barbecue_Food_Safety)

3. Use la rejilla de cocción de arriba (rejilla de calentamiento) para mantener calientes los alimentos ya cocidos, pan tostado, o para cocer alimentos delicados en bolsas de papel de aluminio.
4. Use el quemador lateral de esta unidad como se usa el elemento calórico normal de una cocina para hervir, freír o saltear.
5. Para evitar que los alimentos se peguen en las rejillas, aplique una capa de aceite de cocina a las parrillas antes de encender la unidad.
6. Para reducir el encendido de la grasa, mantenga la parrilla limpia, use cortes de carne sin grasa (o retire el exceso de grasa) y evita cocerla a temperaturas demasiado altas.
7. Coloque alimentos delicados tales como pescado y legumbres en bolsas de papel de aluminio y coloque las bolsas en el nivel superior de cocción (rejilla de calentamiento).  
▲ **ADVERTENCIA:** Nunca cubra la totalidad del área de cocción con papel de aluminio.
8. Para evitar la pérdida de jugos naturales, use tenacillas de mango largo o espátulas, en lugar de tenedores, y volteo el alimento solamente una vez durante el proceso de cocción.
9. Cuando haga cocción directa, ajuste los quemadores a diferentes niveles de manera que los alimentos puedan prepararse a sus respectivas temperaturas internas durante el mismo lapso de tiempo.
10. Cuando por cocción indirecta prepare asados y porciones grandes de carne, coloque la carne en una rejilla de asar dentro de una olla de metal grueso. Coloque la olla sobre los quemadores apagados.
11. Ensaye el uso de ollas con agua para reducir la combustión de grasa y cocer carnes muy jugosas. Antes de encender la unidad retire las rejillas de cocción y coloque una olla panda, para trabajo pesado, directamente sobre las placas de calor. Llene la olla hasta la mitad con agua, jugos de fruta u otros líquidos para dar sabor. Vuelva a colocar las rejillas de cocción y ponga los alimentos en la parrilla sobre la olla con líquido.
12. Realce el sabor de los alimentos usando astillas de madera en cajas metálicas para humear o bolsas de papel de aluminio. Siga las instrucciones del fabricante de las astillas de madera para esta operación.
13. Las canastas de asar, asadores, sostenes verticales para la carne de ave y otros accesorios pueden hacer más agradable su experiencia, reducir el tiempo de cocción y facilitar la labor de limpieza.
14. Limpie las rejillas de cocción y las otras rejillas después de cada uso con un cepillo de calidad diseñado para el material de su parrilla. Use guantes de protección y retire con cuidado la acumulación de residuos en las parrillas mientras éstas están todavía calientes.
15. Después de cada uso deje que la parrilla se enfríe. Luego proteja las rejillas de cocción ya limpias con una ligera capa de aceite de cocina, vacíe la bandeja de la grasa, limpie las superficies exteriores con un limpiador de cocina apropiado y proteja las superficies con una cubierta de calidad que se acomode apropiadamente su unidad.
16. Vea programas de televisión relacionados con la cocción de asados a la parrilla o compre libros de cocina relacionados con este tema para obtener interesantes sugerencias tales como:  
*Una parrilla a gas es ideal para volver a calentar una porción de pizza. Gradúe los quemadores a nivel bajo y coloque las secciones de pizza directamente en la rejilla de cocción, previamente calentada. Cierre la tapa y continúe el proceso de cocción hasta que el queso principie a hacer burbujas.*

### Operación del rostizador


- ▲ **ADVERTENCIA:** CUANDO USE ARTEFACTOS ELÉCTRICOS, SIEMPRE DEBE CUMPLIR CON LAS PRECAUCIONES BÁSICAS DE SEGURIDAD, ENTRE LAS CUALES SE ENCUENTRAN LAS SIGUIENTES:

1. Conecte siempre primero el rostizador a la parrilla, luego enchufe el cordón al tomacorriente con conexión a tierra. Para desconectar, apague el rostizador, luego desconecte el enchufe del tomacorriente.
2. La mayoría de las superficies y los accesorios de la parrilla están calientes durante y después de cocinar. Use precaución alrededor de la parrilla, use guantes retardadores de llama para barbacoa.
3. No use accesorios en el rostizador que no hayan sido suministrados por el fabricante. Esto puede causar lesiones. No use este artefacto con un propósito diferente para el que fue diseñado.
4. Nunca cubra la base de la carcasa de la parrilla con papel de aluminio, arena ni sustancia absorbente de grasa.
5. Si se produce un incendio causado por la grasa, gire las perillas de los quemadores hasta 🔥 (apagado):
  - (a) **PROPANO (PL):** Coloque la válvula del tanque de gas propano líquido en posición "CLOSED" (cerrado).
  - (b) **GAS NATURAL (GN):** Cierre la válvula de la línea principal de gas natural.
 Deje la tapa CERRADA hasta que se extinga el fuego.
6. Para protegerse contra choque eléctrico, NO sumerja el cordón eléctrico, el enchufe ni el motor en el agua, ni los exponga a la lluvia. Proteja los elementos eléctricos de los quemadores, las superficies calientes de la parrilla y la grasa.
7. NO opere el rostizador con un cordón o enchufe dañado, si el rostizador tiene un desperfecto o si ha sufrido daño de alguna otra manera.
8. NO permita que los niños operen la parrilla ni el rostizador, y NO deje que los niños jueguen cerca de los mismos.
9. Desenchufe el motor del rostizador del tomacorriente cuando no esté en uso y antes de limpiarlo. Deje que se enfríe antes de añadir o retirar partes.
10. Cuando cocine con el rostizador, coloque una bandeja colectora debajo de la comida que se vaya a cocinar para capturar el goteo. Esto capturaré el goteo y mantendrá la parrilla libre de excesos de grasa que podrían causar un incendio. Tenga cuidado cuando mueva una bandeja colectora de goteo que contiene aceite caliente.
11. El motor está clasificado para una corriente de 120 VCA, 50/60 Hz.



**Si necesita ayuda llame al 1.800.762.1142. No vuelva al lugar de compra.  
Para obtener excelentes recetas y sugerencias, visite [recipes.uniflame.com](http://recipes.uniflame.com)**

12. Este rostizador está diseñado para uso en exteriores solamente y con esta parrilla únicamente.

**⚠ PRECAUCIÓN:** Si la llama del quemador se apaga durante el funcionamiento, cierre el gas inmediatamente girando la perilla hasta  (apagado) y abra la tapa para dejar que el gas se disipe durante por lo menos 5 minutos antes de volver a encender el artefacto.

**⚠ ADVERTENCIA:** Mantenga el cordón eléctrico del motor del rostizador lejos de la superficie caliente de la parrilla.

**⚠ ADVERTENCIA:** El motor del rostizador debe tener conexión eléctrica a tierra de acuerdo a los códigos locales o, en ausencia de códigos locales, de acuerdo al Código Eléctrico Nacional, ANSI/NFPA 70-1990.

**⚠ ADVERTENCIA:** NO opere el rostizador con un cordón o enchufe dañado, o si el rostizador tiene un desperfecto o si ha sufrido daño de alguna otra manera. Llame a nuestro servicio de atención al cliente al 1.800.762.1142 para solicitar su reemplazo.

**⚠ ADVERTENCIA:** El cordón de suministro de energía eléctrica tiene un enchufe con conexión a tierra de 3 clavijas. Para su seguridad personal, no retire la clavija de conexión a tierra. Debe enchufarse a un receptáculo con conexión a tierra para 3 clavijas, instalado de acuerdo al Código Eléctrico Nacional y los códigos y normas locales.

**⚠ ADVERTENCIA:** Si usa un cordón de extensión, éste debe tener una buena conexión a tierra y ser apropiado para artefactos para uso en exteriores. Mantenga el cordón de extensión seco, fuera del suelo y fuera del alcance de los niños.

**⚠ ADVERTENCIA:** Cuando no se usa el motor del rostizador, retírelo y almacénalo en un área seca en interiores.

**⚠ ADVERTENCIA:** PARA USO EN EXTERIORES SOLAMENTE. NO EXPONGA EL ARTEFACTO A LA LLUVIA.

**⚠ PRECAUCIÓN:** Riesgo de choque eléctrico. Mantenga el cordón de extensión seco y fuera del suelo.

**⚠ ADVERTENCIA:** Use sólo con tomacorrientes con una conexión a tierra apropiada.

#### Para cocinar carne de res o pollo

1. Conecte el motor del rostizador de acuerdo las instrucciones descritas en la sección "Instrucciones de ensamblaje - rostizador".
2. Inserte y asegure el contrapeso del rostizador y la manija del rostizador en la varilla del rostizador (Figura 10).
3. Inserte un trinche de rostizador en la varilla del rostizador (Figura 11).
4. Empuje la varilla del rostizador a través del centro de la comida e inserte la comida en forma pareja en las puntas del trinche del rostizador (Figura 12).
5. Centre la comida en la varilla del rostizador. Apriete el trinche del rostizador.
6. Inserte lo que falta del trinche del rostizador en la varilla del rostizador e inserte las puntas del trinche del rostizador en la comida. Apriete el trinche del rostizador (Figura 13).
7. Inserte la varilla del rostizador en el motor del rostizador y coloque el otro extremo de la varilla del rostizador en las ranuras de la carcasa inferior (Figuras 14 y 15).
8. Encienda el motor del rostizador ("ON") para probar si se colocó la comida correctamente. Nota: El lado pesado de la carne de res o pollo debe rotar hacia abajo hacia la carcasa inferior. Ajuste el contrapeso si es necesario para lograr el equilibrio correcto. Si la carne de res o pollo no rota correctamente, retire la carne y vuelva a ponerla hasta conseguir el equilibrio correcto.
9. Encienda la parrilla siguiendo las instrucciones de encendido descritas en la sección "Quemador posterior infrarrojo".
10. Después de encender la parrilla y de ajustar la temperatura, mantenga la tapa cerrada.

Figura 10

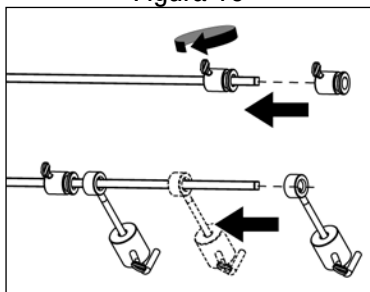


Figura 11

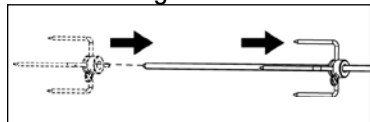


Figura 12

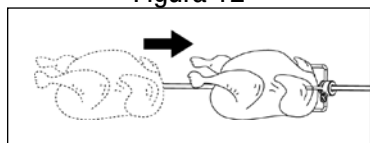


Figura 13

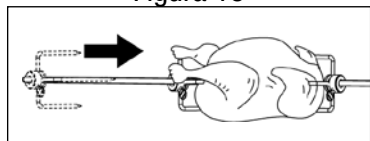


Figura 14

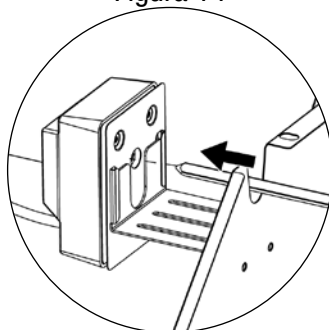
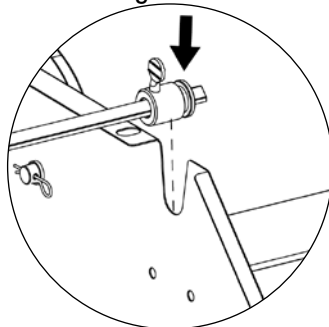


Figura 15



#### Consejos para cocinar con el rostizador

1. Las carnes (excepto el pollo y la carne molida) deben estar a temperatura ambiente antes de cocinarlas.
2. Con una cuerda para cocinar amarre las partes desiguales de la carne de res o pollo.
3. Coloque una bandeja de goteo de aluminio desechable directamente debajo de la comida y encima de las placas térmicas.
4. Los pasos de preparación de la comida con el rostizador son iguales a los pasos para cocinar con la parrilla.
5. Si la carne de res o pollo es muy grande o no rota correctamente en el rostizador, debe retirarse la carne del rostizador y cocinarla indirectamente.

#### Limpeza y cuidado

##### ⚠ PRECAUCION:

1. Todas las operaciones de limpieza y mantenimiento deben realizarse con la parrilla fría y con el tanque de propano desconectado.
2. NO limpie ninguna pieza de esta parrilla en un horno de limpieza automática. El calor extremo dañará el terminado.
3. NO agrande los orificios de las válvulas ni los puertos de los quemadores al limpiar las válvulas o quemadores.

##### Avisos

1. Esta parrilla debe limpiarse y verificarse completamente de manera regular.
2. No use productos de limpieza abrasivos pues dañarán este aparato.
3. No utilice nunca productos limpiahornos para limpiar cualquier pieza de la parrilla.

##### Cada vez que vaya a usar la unidad:

1. Mantenga el rededor de la unidad limpio y libre de materiales combustibles, gasolina, y otros líquidos y vapores inflamables.
2. No obstruya el flujo de aire de combustión del propano líquido ni el aire de ventilación.
3. Mantenga la abertura o aberturas de la zona del tanque de gas propano líquido abiertas y libres de basura.
4. Visualmente examine la llama del quemador para estar seguro de que la parrilla está funcionando adecuadamente (vea la Figura 16).
5. Vea las instrucciones de limpieza más adelante para verificar que las observa apropiadamente.
6. Examine y limpie el quemador y los tubos del venturi de insectos y nidos de insectos. Un tubo atascado puede llevar a un incendio debajo de la parrilla.

##### Limpeza de las superficies

1. Limpie las superficies con un detergente suave de lavado de platos o con soda de hornear mezclado con agua.
2. En superficies de limpieza difícil, use un desengrasador a base de cítricos y un cepillo de nilón.
3. Enjuague las superficies con agua limpia.
4. Deje las superficies secar al aire libre.

##### Limpeza de los quemadores principales



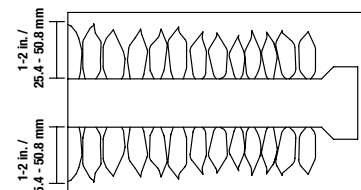
1. **PROPANO (PL):** Gire las perillas de control a la posición  (apagado) y coloque la válvula del tanque de propano en la posición "CLOSED" (cerrado).  
**GAS NATURAL (GN):** Gire las perillas de control a la posición  (apagado) y cierre la válvula de la línea principal de gas natural.
2. **PROPANO (PL):** Desconecte el tanque de propano de acuerdo con las instrucciones descritas en la sección "Desconectar el tanque de gas propano líquido".  
**GAS NATURAL (GN):** Desconecte la línea principal de gas natural de acuerdo con las instrucciones descritas en la sección "Desconectar la línea de gas natural".
3. Retire las rejillas de cocción y las placas de distribución de calor.
4. Retire los quemadores, quitando los ganchos que aseguran los quemadores al fondo de la parrilla.
5. Saque los quemadores, levantándolos y alejándolos del orificio de la válvula de gas.
6. Desconecte el alambre del electrodo que produce la chispa.
7. Limpie la entrada (venturi) del quemador usando un cepillo pequeño de limpiar botellas o un chorro de aire comprimido.
8. Retire todo residuo de comida o desperdicio que haya quedado en la superficie del quemador.
9. Limpie puertos que se encuentren obstruidos, usando un alambre firme (tal como un sujetapapeles abierto).
10. Inspeccione el quemador para verificar si tiene daños (grietas o perforaciones). Si encuentra daños, sustitúyalo con un nuevo quemador del mismo fabricante.

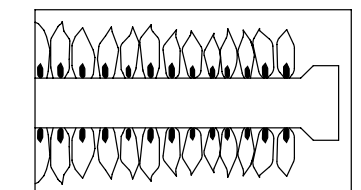
Figura 16

#### Condiciones de la llama en los quemadores

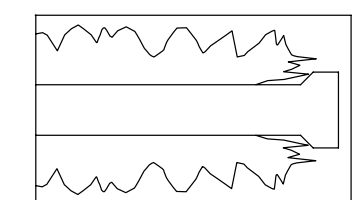
Use este cuadro para ver si es necesario limpiar sus quemadores.



**Normal:** Llama de color azul pálido con puntas amarillas de 2,5 a 5 cm de altura



**Necesita limpieza:** Hace ruido y la llama es de un azul vivo.



**Debe limpiarse:** La llama es amarilla y ondulante.

## Limpieza y cuidado (continuación)

- Vuelva a instalar los quemadores, verificando que los orificios de la válvula de gas quedan colocados correctamente dentro de la entrada de cada quemador (venturi). También verifique la posición del electrodo de chispa.
- Vuelva a colocar las placas de distribución de calor y las rejillas de cocción.
- PROPANO (PL):** Conecte el tanque de propano de acuerdo con las instrucciones descritas en la sección "Instalar el tanque de gas propano líquido".  
**GAS NATURAL (GN):** Conecte la línea principal de gas natural de acuerdo con las instrucciones descritas en la sección "Instalar la línea de gas natural".
- Haga una prueba de fugas. Vea la sección "Inspección de fugas".

### Limpieza del quemador lateral

- PROPANO (PL):** Gire las perillas de control a la posición  $\Delta$  (apagado) y coloque la válvula del tanque de propano en la posición "CLOSED" (cerrado).  
**GAS NATURAL (GN):** Gire las perillas de control a la posición  $\Delta$  (apagado) y cierre la válvula de la línea principal de gas natural.
- PROPANO (PL):** Desconecte el tanque de propano de acuerdo con las instrucciones descritas en la sección "Desconectar el tanque de gas propano líquido".  
**GAS NATURAL (GN):** Desconecte la línea principal de gas natural de acuerdo con las instrucciones descritas en la sección "Desconectar la línea de gas natural".
- Retire la rejilla del quemador lateral.
- Retire el quemador, quitando los dos tornillos que aseguran el quemador en la repisa lateral.
- Saque el quemador, levantándolo y alejándolo del orificio de la válvula de gas.
- Limpie la entrada del quemador (venturi) usando un cepillo pequeño de limpiar botellas o un chorro de aire comprimido.
- Retire todo residuo de comida o desperdicio que haya quedado en la superficie del quemador.
- Limpie los puertos que se encuentren obstruidos, usando un alambre firme (tal como un sujetapapeles abierto).
- Inspeccione el quemador para verificar si tiene daños (grietas o perforaciones). Si encuentra daños, sustitúyalo con un nuevo quemador del mismo fabricante.
- Vuelva a instalar el quemador, verificando que los orificios de la válvula de gas quedan colocados correctamente dentro de la entrada del quemador (venturi). También verifique la posición del electrodo de chispa.
- Vuelva a colocar la rejilla del quemador lateral.
- PROPANO (PL):** Conecte el tanque de propano de acuerdo con las instrucciones descritas en la sección "Instalar el tanque de gas propano líquido".  
**GAS NATURAL (GN):** Conecte la línea principal de gas natural de acuerdo con las instrucciones descritas en la sección "Instalar la línea de gas natural".
- Haga una prueba de fugas. Vea la sección "Inspección de fugas".

### Antes de almacenar

- PROPANO (PL):** Gire las perillas de control a la posición  $\Delta$  (apagado) y coloque la válvula del tanque de propano en la posición "CLOSED" (cerrado).  
**GAS NATURAL (GN):** Gire las perillas de control a la posición  $\Delta$  (apagado) y cierre la válvula de la línea principal de gas natural.
- PROPANO (PL):** Desconecte el tanque de propano de acuerdo con las instrucciones descritas en la sección "Desconectar el tanque de gas propano líquido".  
**GAS NATURAL (GN):** Desconecte la línea principal de gas natural de acuerdo con las instrucciones descritas en la sección "Desconectar la línea de gas natural".
- Limpie las superficies.
- Cubra con una capa delgada de aceite de cocinar los quemadores para evitar que se oxiden excesivamente.
- Si almacena la parrilla en interiores, desconecte el tanque de gas propano, vea la sección "Desconecte el tanque de gas propano líquido", y deje el tanque de gas propano en EXTERIORES.
- Coloque una cubierta protectora sobre el tanque de gas propano y almacene el tanque en exteriores en un área bien ventilada donde no le caiga la luz solar directamente.
- Si almacena la parrilla en exteriores, cubra la parrilla con una cubierta para parrilla para protegerla contra las inclemencias del tiempo.

## Registro del producto

Para beneficiar del servicio de garantía más rápidamente, sírvase registrar su unidad inmediatamente visitando nuestro sitio Internet [www.bluerhino.com](http://www.bluerhino.com) o llamando al 1.800.762.1142.

## Garantía limitada

Blue Rhino Global Sourcing, Inc ("el fabricante") garantiza al comprador original, al detal, de este producto que si la unidad se arma y opera de acuerdo con las instrucciones impresas que la acompañan y por un período de un (1) año a partir de la fecha de compra, todas las piezas de este producto estarán libres de defectos en material y mano de obra. El fabricante podrá requerir prueba razonable de la fecha de compra. Por lo tanto, usted debe conservar el recibo de venta o la factura. Esta garantía limitada estará limitada a la reparación o reemplazo de las piezas que resulten defectuosas en condiciones de servicio y uso normal y las que un examen indique, a satisfacción del fabricante, que están defectuosas. Antes de devolver cualquier pieza, comuníquese con el Departamento de Servicio al Cliente (Customer Service Department) del fabricante. Si el fabricante confirma el defecto y aprueba el reclamo, el fabricante decidirá reemplazar tales partes sin costo alguno. Si se le pide que devuelva las partes defectuosas, los costos de transporte deberán ser prepagados. El fabricante devolverá las partes al cliente con costo de transporte o envío prepagados.

Esta garantía limitada no cubre fallas o dificultades de operación debidas a accidente, abuso, mal uso, alteración, empleo en usos inapropiados, instalación defectuosa o mantenimiento o servicio inapropiado o falla en la realización de mantenimiento normal y rutinario como se prescribe en este manual del usuario. Además, la garantía limitada no cubre daños al terminado de la unidad, tales como rasguños, abolladuras, descoloridos, oxidaciones y otros daños causados por la intemperie después de la compra de la unidad.


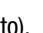
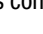
Esta garantía limitada reemplaza cualquier otra garantía. El fabricante no asume ninguna responsabilidad por garantías de productos vendidos por quienes no sean distribuidores o vendedores al detal autorizados. Esta exención de responsabilidad incluye cualquier garantía de comerciabilidad o la garantía de aptitud para un propósito en particular. EL FABRICANTE NO SE HACE RESPONSABLE POR NINGUNA GARANTIA IMPLICITA INCLUYENDO, SIN LIMITACIONES, LAS GARANTIAS IMPLICITAS DE COMERCIABILIDAD Y ADAPTABILIDAD A UN PROPOSITO PARTICULAR. EL FABRICANTE NO ASUME RESPONSABILIDAD ANTE EL COMPRADOR O ANTE CUALQUIER TERCERA PERSONA POR DAÑOS ESPECIALES, INDIRECTOS, PUNITIVOS, INCIDENTALES O CONSECUENCIALES. El fabricante, además, no asume responsabilidad por garantías implícitas o expresas por defectos de mano de obra causados por terceras personas. Esta garantía limitada le da al comprador derechos legales específicos y el comprador puede tener otros derechos según el lugar donde el comprador o la compradora residan. Ciertas jurisdicciones no permiten limitaciones en cuanto a la duración de una garantía implícita, de manera que esta limitación puede no ser aplicable a usted.

El fabricante no autoriza a ninguna persona o compañía para asumir por el fabricante cualquier otra obligación a responsabilidad relacionada con la venta, instalación, uso, remoción, devolución o reemplazo de este equipo y cualquier representación de esta naturaleza no obliga al fabricante.

Blue Rhino Sourcing, Inc  
Winston-Salem, North Carolina 27104, EE.UU.  
1.800.762.1142


**Si necesita ayuda llame al 1.800.762.1142. No vuelva al lugar de compra.  
Para obtener excelentes recetas y sugerencias, visite [recipes.uniflame.com](http://recipes.uniflame.com)**

## Resolución de problemas

Problema	Causa posible	Prevención/solución
<b>El quemador no se enciende utilizando el encendedor.</b>	La válvula del tanque de gas propano está cerrada. La válvula de la línea principal de gas natural está cerrada	PROPANO (LP): Asegúrese de que el regulador esté conectado de manera segura en el tanque de gas propano, gire la válvula del tanque de gas propano a la posición "OPEN" (abierta). GAS NATURAL (GN): Asegúrese de que el regulador esté conectado de manera segura en la línea principal de gas natural, gire la válvula de la línea principal de gas natural a la posición "OPEN" (abierta).
	El tanque de gas propano está bajo o vacío.	Reemplace o vuelva a llenar el tanque de gas propano.
	Fuga de gas propano. / Fuga de gas natural.	1. Gire la válvula del tanque de gas propano o de la línea principal de gas natural a la posición "CLOSED" (cerrada) 2. Espere 5 minutos para que se disperse el gas. 3. Siga las indicaciones de "Inspección de fugas" descritas en el manual del usuario.
	Se debe reemplazar la pila.	Reemplace la pila AA (vea el paso de instalación de la pila de las instrucciones de armado)
	Cables o electrodos cubiertos con restos de alimentos.	Limpie el cable y/o electrodo con alcohol isopropílico.
	Los electrodos y los quemadores están mojados.	Séquelos con un paño.
	Electrodo agrietado o roto; chispas en las grietas.	Sustituya el electrodo.
	Cable suelto o desconectado.	Vuelva a conectar el cable o sustituya el conjunto electrodo/cable.
	El cable tiene un cortocircuito (chispeo) entre el encendedor y el electrodo.	Reemplace el conjunto cable del encendedor/electrodo.
Encendedor defectuoso.	Reemplace el encendedor.	
<b>El quemador no se enciende con una cerilla.</b>	No hay flujo de gas.	PROPANO (LP): Compruebe si el tanque de propano líquido está vacío. A. Si está vacío, reemplácelo o vuelva a llenarlo. B. Si el tanque de propano líquido no está vacío, consulte la sección "Caída repentina del flujo de gas o altura de llama insuficiente" de esta página.  GAS NATURAL (GN): Compruebe si la línea principal de gas natural está conectada. A. Asegúrese de que el regulador y la línea principal de gas natural estén conectados de manera segura, gire la válvula de la línea principal de gas natural a la posición "OPEN" (abierto). B. Si la válvula de la línea principal de gas natural está abierta (OPEN), consulte la sección "Caída repentina del flujo de gas o altura de llama insuficiente" de esta página.
	El tanque de gas propano está bajo o vacío.	Reemplace o vuelva a llenar el tanque de gas propano.
	Fuga de gas propano. / Fuga de gas natural.	1. Gire la válvula del tanque de gas propano o de la línea principal de gas natural a la posición "CLOSED" (cerrada) 2. Espere 5 minutos para que se disperse el gas. 3. Siga las indicaciones de "Inspección de fugas" descritas en el manual del usuario.
	La tuerca de acoplamiento no está conectada por completo.	Gire la tuerca de acoplamiento entre media vuelta y tres cuartos de vuelta hasta que haga tope con firmeza. <b>Apriete únicamente a mano, sin utilizar ninguna herramienta.</b>
	Obstrucción del flujo de gas.	Limpie los tubos del quemador. Verifique que la manguera no esté torcida o doblada.
	Desacoplamiento del quemador a la válvula.	Vuelva a conectar el quemador y la válvula.
	Telarañas o nidos de insectos en el venturi. Bocas del quemador atascadas u obstruidas.	Limpie el tubo de venturi. Limpie las bocas del quemador.
<b>Caída repentina del flujo de gas o altura de la llama insuficiente.</b>	PROPANO (LP): Sin gas.	Reemplace el tanque o vuelva a llenarlo.
	GAS NATURAL (GN): No hay presión en la línea principal.	Llame al proveedor de gas natural para que inspeccione la línea de gas natural.
	Flujo excesivo; puede que se haya activado el dispositivo de seguridad de exceso de flujo.	1. Gire las perillas de control a la posición  (apagado) 2. Espere 30 segundos y encienda la parrilla. 3. Si las llamas continúan siendo demasiado bajas reinicie el dispositivo de seguridad de flujo excesivo. a. Gire las perillas a la posición  (apagado). b. Cierre el gas girando la válvula del tanque de propano líquido a la posición "CLOSED" (cerrado). c. Desconecte el regulador. d. Gire las perillas de control a la posición  (alto). e. Espere 1 minuto. f. Gire las perillas de control a la posición  (apagado). g. Vuelva a conectar el regulador y verifique las conexiones para averiguar que no haya fugas. h. Encienda la parrilla conforme a las instrucciones de encendido.
<b>Falta de uniformidad en la llama, la llama no cubre toda la longitud del quemador.</b>	Las bocas del quemador están atascadas u obstruidas.	Limpie las bocas del quemador.
<b>La llama es de color amarillo o naranja.</b>	Puede que el nuevo quemador tenga aceites residuales del proceso de fabricación.	Haga funcionar la parrilla durante 15 minutos con la tapa cerrada.
	Telarañas o nidos de insectos en el venturi.	Limpie el venturi.
	Restos de alimentos, grasa o sal para condimentar en el quemador.	Limpie el quemador.
	Alineación incorrecta entre la válvula y el quemador de venturi.	Asegúrese de que el quemador venturi está conectado adecuadamente a la válvula.
<b>La llama se apaga.</b>	Vientos fuertes o racheados.	No use la parrilla cuando hay vientos fuertes.
	Nivel de gas del tanque de propano bajo.	Reemplace el tanque o vuelva a llenarlo.
	Válvula de exceso de flujo obstruida.	Consulte la sección "Caída repentina del flujo de gas o altura de llama insuficiente" de esta página.
<b>Fogonazo.</b>	Formaciones de grasa.	Limpie la parrilla.
	Carne con exceso de grasa.	Retire la grasa de la carne antes de ponerla en la parrilla.
	Si está utilizando una temperatura excesiva para cocinar.	Ajuste (baje) la temperatura según corresponda.



**Resolución de problemas (continuación)**

<p><b>La grasa provoca un fuego persistente</b></p>	<p>Grasa atascada por la acumulación de comida alrededor del sistema de quemadores.</p>	<ol style="list-style-type: none"> <li>1. Gire las perillas de control a la posición  (apagado).</li> <li>2. Gire la válvula del tanque de gas propano o de la línea principal de gas natural a la posición "CLOSED" (cerrada)</li> <li>3. Deje la tapa cerrada y deje que el fuego se consuma.</li> <li>4. Una vez se haya enfriado la parrilla, quite y limpie todas las piezas siguiendo las instrucciones de "Limpieza y cuidado".</li> </ol>
<p><b>Centelleos (hay fuego en el(los) tubo(s) del quemador).</b></p>	<p>El quemador y/o juegos de quemadores están bloqueados.</p>	<p>Limpie el quemador y/o los tubos del quemador.</p>
<p><b>El interior de la tapa se está pelando; igual que cuando se pela la pintura.</b></p>	<p>La tapa es de acero inoxidable, no pintada.</p>	<p>La acumulación de grasa se ha convertido en carbón y se está desmenuzando. Límpiela completamente.</p>
	<p>La tapa tiene recubrimiento/pintura.</p>	<p>Puede deberse a cocción sobre acumulación de grasa, que se ha convertido en carbón y se está descascarando. Limpie a fondo, según lo indicado en las instrucciones de "Limpieza y mantenimiento" del manual del usuario Después de limpiar, si puede ver el acero, llame a Atención al Cliente al 1.800.762.1142</p>

**Para ayuda más detallada, sírvase visitarnos en [www.bluerhino.com](http://www.bluerhino.com) o llámanos al 1.800.762.1142 para ayudarlo inmediatamente.**

**Si necesita ayuda llame al 1.800.762.1142. No vuelva al lugar de compra.  
Para obtener excelentes recetas y sugerencias, visite [recipes.uniflame.com](http://recipes.uniflame.com)**



## Free Manuals Download Website

<http://myh66.com>

<http://usermanuals.us>

<http://www.somanuals.com>

<http://www.4manuals.cc>

<http://www.manual-lib.com>

<http://www.404manual.com>

<http://www.luxmanual.com>

<http://aubethermostatmanual.com>

Golf course search by state

<http://golfingnear.com>

Email search by domain

<http://emailbydomain.com>

Auto manuals search

<http://auto.somanuals.com>

TV manuals search

<http://tv.somanuals.com>