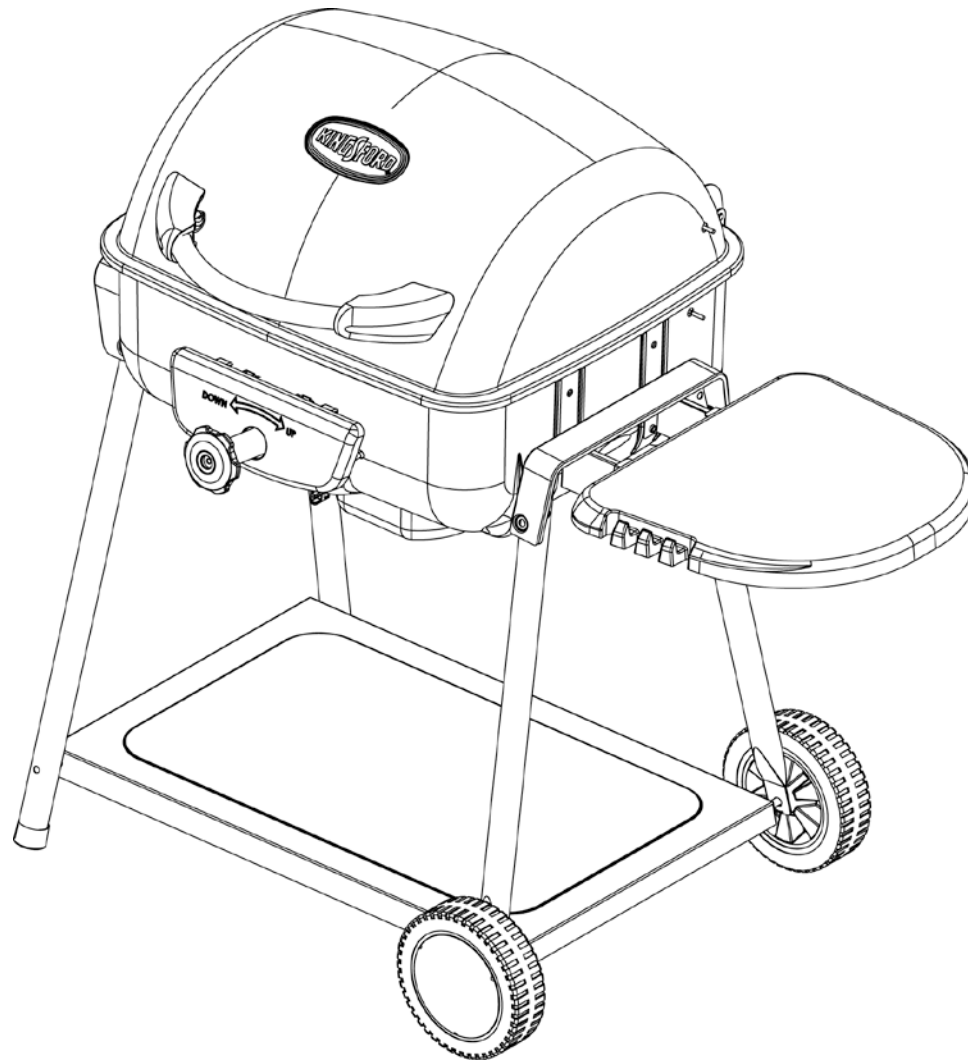




OWNER'S MANUAL

Outdoor Charcoal Barbecue Grill

Model No. CBC1030W



 **WARNING**
FOR YOUR SAFETY:
For Outdoor Use Only
 (outside any enclosure)

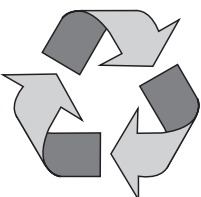
 **WARNING**
FOR YOUR SAFETY:

- 1. Improper installation, adjustment, alteration, service or maintenance can cause injury or property damage.**
- 2. Read the installation, operation and maintenance instructions thoroughly before installing or servicing this equipment.**
- 3. Failure to follow these instructions could result in fire or explosion, which could cause property damage, personal injury or death.**

Table of Contents

Important Safeguards	Page 2
Exploded View & Hardware	3
Assembly Instructions	4
Operating Instructions	7
First Use	7
Cooking	7
Flare-Ups	8
Tips	8
Cleaning and Care	8
Product Registration	8
Limited Warranty	8

Save these instructions for future reference. If you are assembling this unit for someone else, give this manual to him or her to read and save for future reference.



Made from 70% Bagasse
(Environmentally Friendly Sugar
Cane Pulp By-product)

Manufactured in China for:
Blue Rhino Global Sourcing, Inc
Winston-Salem, NC USA
1.800.762.1142, www.bluerhino.com

© 2010 Blue Rhino Global Sourcing, Inc. All Rights Reserved
Kingsford® and the Kingsford® logo are registered trademarks of the Kingsford Products Company, LLC and are used under license.
All Rights Reserved. CBC1030W-OM-109 ES



▲ DANGER: Failure to follow the dangers, warning and cautions in this manual may result in serious bodily injury or death, or in a fire or an explosion causing damage to property.

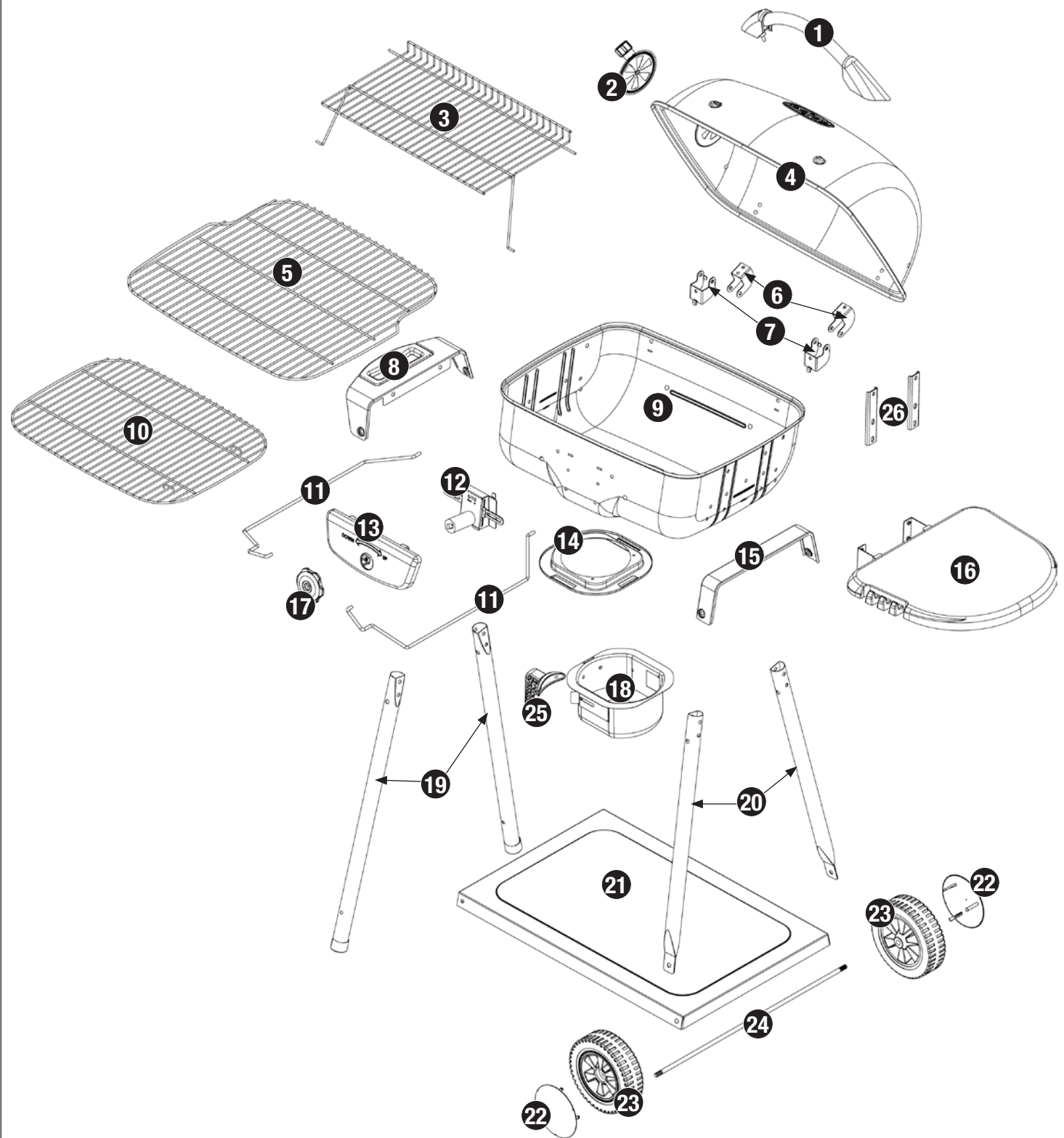
▲ WARNING:

- ▲ This grill is for outdoor use only, and shall not be used in a building, garage or any other enclosed area.
- ▲ This grill is safety certified for use in the United States and Canada only. Do not modify for use in any other location. Modification will result in a safety hazard and will void the warranty.
- ▲ Do NOT operate, light or use this appliance within 8 feet of walls, structures or buildings.
- ▲ Keep all combustible items and surfaces at least 36 inches (91 cm) away from the grill at all times. DO NOT use this grill under any overhead or near any unprotected combustible constructions.
- ▲ This grill is NOT for commercial use.
- ▲ Do not use grill for indoor cooking or heating. Toxic carbon monoxide fumes can accumulate and cause asphyxiation.
- ▲ Do not use gasoline, kerosene or alcohol for lighting.
- ▲ Do not use in an explosive atmosphere. Keep grill area clear and free from combustible materials, gasoline and other flammable vapors and liquids.
- ▲ Do not store or use gasoline or other flammable liquids or vapors within 25 feet (7.62 m) of this appliance.
- ▲ Never use charcoal that has been pre-treated with lighter fluid. Use only a high grade plain charcoal, charcoal/wood mixture, lump charcoal or cooking wood.
- ▲ Do not alter grill in any manner, this will void the warranty.
- ▲ Do not use the grill unless it is completely assembled and all parts are securely fastened and tightened.
- ▲ This grill should be thoroughly cleaned and inspected on a regular basis.
- ▲ Use only Blue Rhino Global Sourcing, Inc. factory authorized parts. The use of any part that is not factory authorized can be dangerous and will void your warranty.
- ▲ Do not use this appliance without reading "Operating Instructions" in this manual.
- ▲ Do not touch metal parts of grill until it has completely cooled (about 45 min.) to avoid burns, unless you are wearing protective gear (pot holders, gloves, BBQ mittens, etc.).
- ▲ Never touch grates (charcoal or cooking), ashes or coals to see if they are hot.
- ▲ Do not use on wooden decks, wooden furniture or other combustible surfaces.
- ▲ Do not use in or on boats or recreational vehicles.
- ▲ Position grill so wind can not carry ashes to combustible surfaces.
- ▲ Do not use in high winds.
- ▲ Never lean over the grill when lighting.
- ▲ Do not leave a lit grill unattended. Keep children and pets away from grill at all times.
- ▲ Do not attempt to move grill when in use. Allow the grill to cool (about 45 min.) before moving or storing.
- ▲ When cooking, fire extinguishing materials shall be readily accessible. In the event of an oil/grease fire, do not attempt to extinguish with water. Use type BC dry chemical fire extinguisher or smother with dirt, sand or baking soda.
- ▲ Always open grill lid carefully and slowly as heat and steam trapped within grill can severely burn you.
- ▲ Never add lighting fluid to hot or even warm coals as flashback may occur causing serious injury or damage to property.
- ▲ Always place your grill on a hard, non combustible level surface. An asphalt or blacktop surface may not be acceptable for this purpose.
- ▲ Do not remove the ashes until they are completely and fully extinguished.
- ▲ Live hot briquettes and coals can create a fire hazard.
- ▲ Always empty the ash catcher and grill after each use.
- ▲ Do not place fuel (charcoal briquets, wood or lump charcoal) directly into bottom of grill. Place fuel only on the charcoal pan/grid.
- ▲ Do not allow charcoal to rest on the walls of grill. Doing so will greatly reduce the life of the metal and finish of your grill.
- ▲ Check to make sure the air vents are free of debris and ash before using the grill.
- ▲ Make sure ash catcher is securely and completely in place before using the grill.
- ▲ Extinguished coals and ashes should be placed a safe distance from all structures and combustible materials.
- ▲ With a garden hose, completely wet the surface beneath and around grill to extinguish any ashes, coals or embers which may have fallen during the cooking or cleaning process.
- ▲ Always wear protective gloves when adding fuel (charcoal briquets, wood or lump charcoal) to retain desired heat level.
- ▲ Keep all electrical cords away from a hot grill.
- ▲ Always use a meat thermometer to ensure food is cooked to a safe temperature.
- ▲ Never cover entire cooking area with aluminum foil.
- ▲ Use protective gloves when assembling this product.
- ▲ Do not force parts together as this can result in personal injury or damage to the product.
- ▲ Death, serious injury or damage to property may occur if the above is not followed exactly.

Contact 1.800.762.1142 for assistance. Do not return to place of purchase.
For great recipes and tips, visit recipes.uniflame.com.

Parts List		
1	Lid Handle	55-10-072
2	Air Vent	55-14-857
3	Warming Rack	55-10-073
4	Lid	55-10-074
5	Cooking Grid	55-10-075
6	Top Hinge (2)	55-10-076
7	Bottom Hinge (2)	55-10-077
8	Left Side Handle	55-10-078
9	Bottom Bowl	55-10-079
10	Charcoal Grid	55-10-080
11	Charcoal Grid Support Rod (2)	55-10-081
12	Control Knob Assembly	55-09-203
13	Control Panel	55-10-082
14	Ash Receiver Slide	55-09-200
15	Right Side Shelf Support	55-10-084
16	Right Side Shelf	55-10-085
17	Control Knob	55-10-086
18	Ash Receiver	55-10-087
19	Left Leg (2)	55-10-088
20	Wheel Leg (2)	55-10-089
21	Bottom Shelf	55-10-090
22	Hub Cap (2)	55-10-432
23	Wheel (2)	55-14-861
24	Axle	55-10-091
25	Ash Receiver Handle	55-10-416
26	Right Side Shelf Bracket (2)	55-10-417

Exploded View

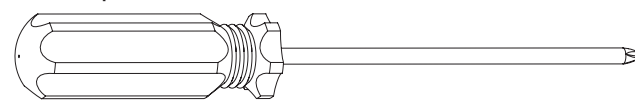


Hardware

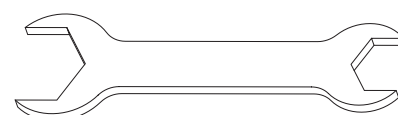
A	Screw	M4x15 Zinc Plated Phillips Truss Head	1 pc
B	Screw	M5x12 Zinc Plated Phillips Truss Head	5 pcs
C	Screw	M6x12 Zinc Plated Phillips Truss Head	5 pcs
D	Screw	M6x16 Zinc Plated Phillips Truss Head	19 pcs
E	Screw	M6x40 Zinc Plated Phillips Truss Head	8 pcs
F	Screw	M6x45 Zinc Plated Phillips Truss Head	2 pcs
G	Nut	M10 Zinc Plated	2 pcs
H	Cap Nut	M6 Zinc Plated	12 pcs
I	Wing Nut	M5 Zinc Plated	1 pc
J	Wing Nut	M6 Zinc Plated	13 pcs
K	Washer	ø5.5 Zinc Plated	4 pcs
L	Washer	ø6.5 Zinc Plated	15 pcs
M	Washer	ø6.5 Zinc Plated	33 pcs
N	Washer	ø6.2 Heat Resistant	12 pcs
O	Lock Washer	ø5.5 Zinc Plated	5 pcs
P	Lock Washer	ø6.5 Zinc Plated	28 pcs
Q	Pin	ø7x 45 Zinc Plated	2 pcs
R	Cotter Pin	ø1.4 x 30 Black Coated	2 pcs

Tools Required for Assembly (Included)

#2 Phillips Head Screwdriver 1 pc



M6 - M10 Wrench 2 pcs



Assembly Instructions

1 DO NOT RETURN PRODUCT TO STORE.

For assistance call **1.800.762.1142** toll free. Please have your owner's manual and model number available for reference.

For Easiest Assembly:

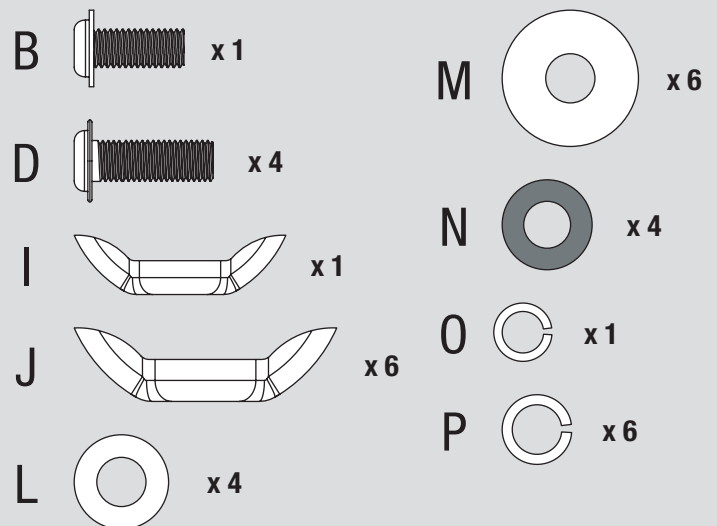
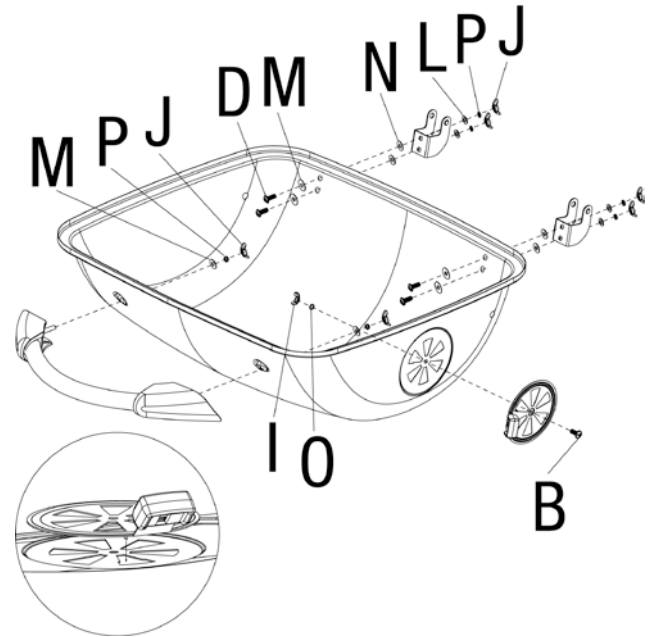
- To avoid losing any small components or hardware, assemble your product on a hard level surface that does not have cracks or openings.
- Clear an area large enough to layout all components and hardware.
- When applicable, tighten all hardware connections by hand first. Once the step is completed go back and fully tighten all hardware.
- Follow all steps in order to properly assemble your product.

To complete assembly you will need:

- (1) Bag of charcoal.

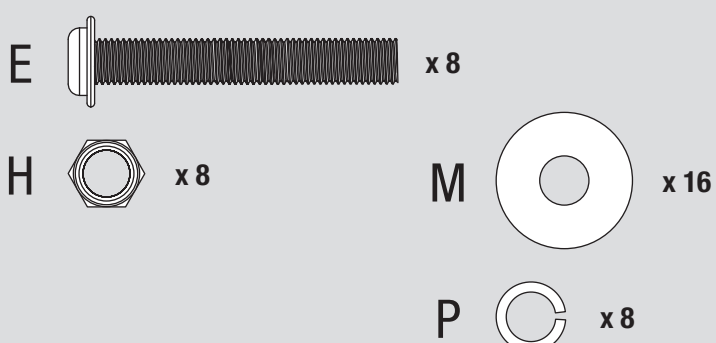
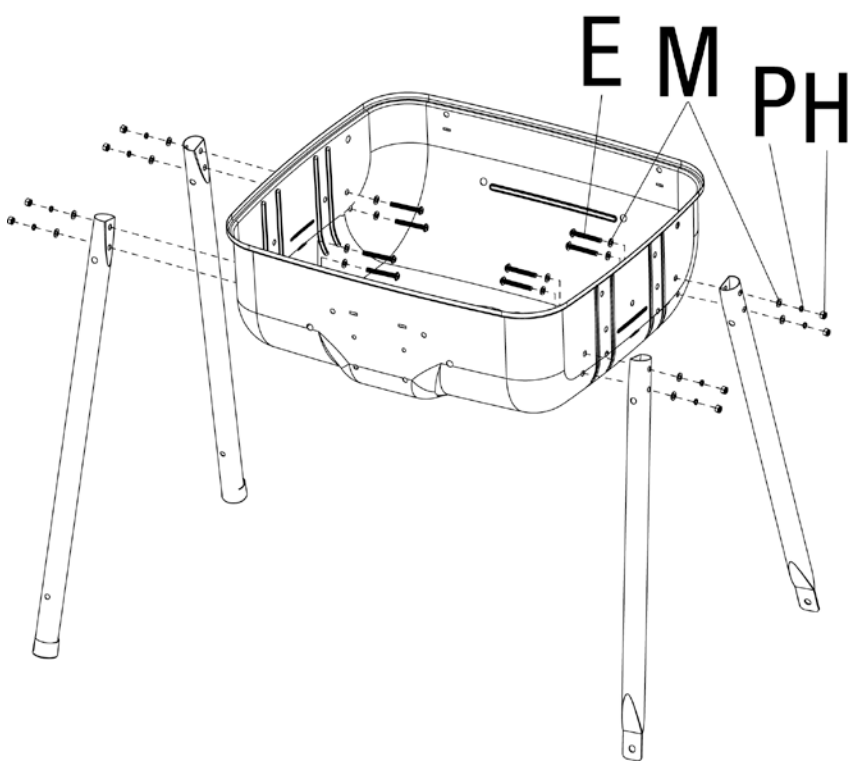
Typical assembly: approximately 45 minutes.

2 Attach Air Vent, Lid Handle and Top Hinges

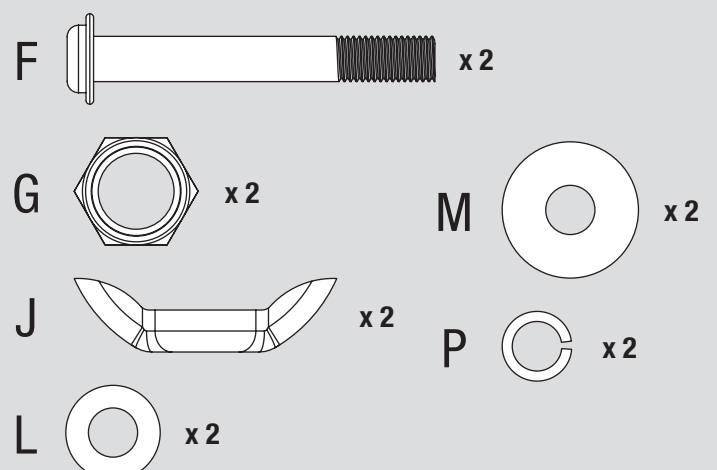
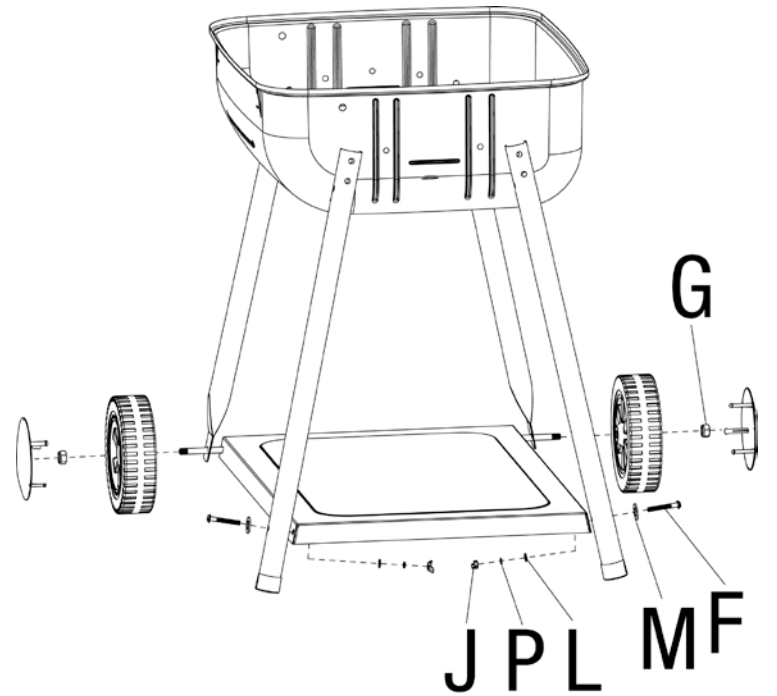


3 Attach Legs

Note: Wheel legs on right side

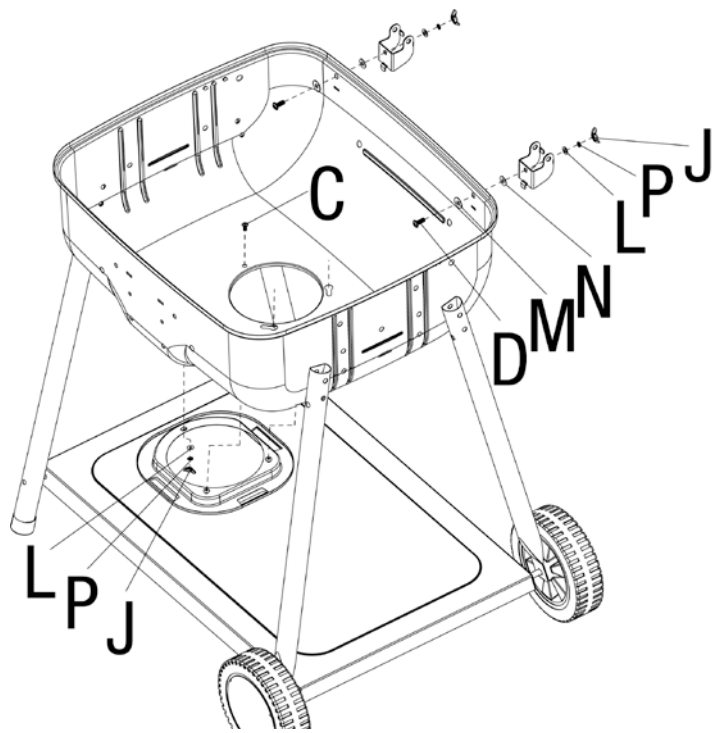


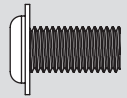

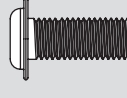

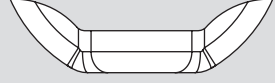


4 Attach Bottom Shelf, Axle, Wheels, and Hub Caps



5

Attach Bottom Hinges and Ash Receiver Slide

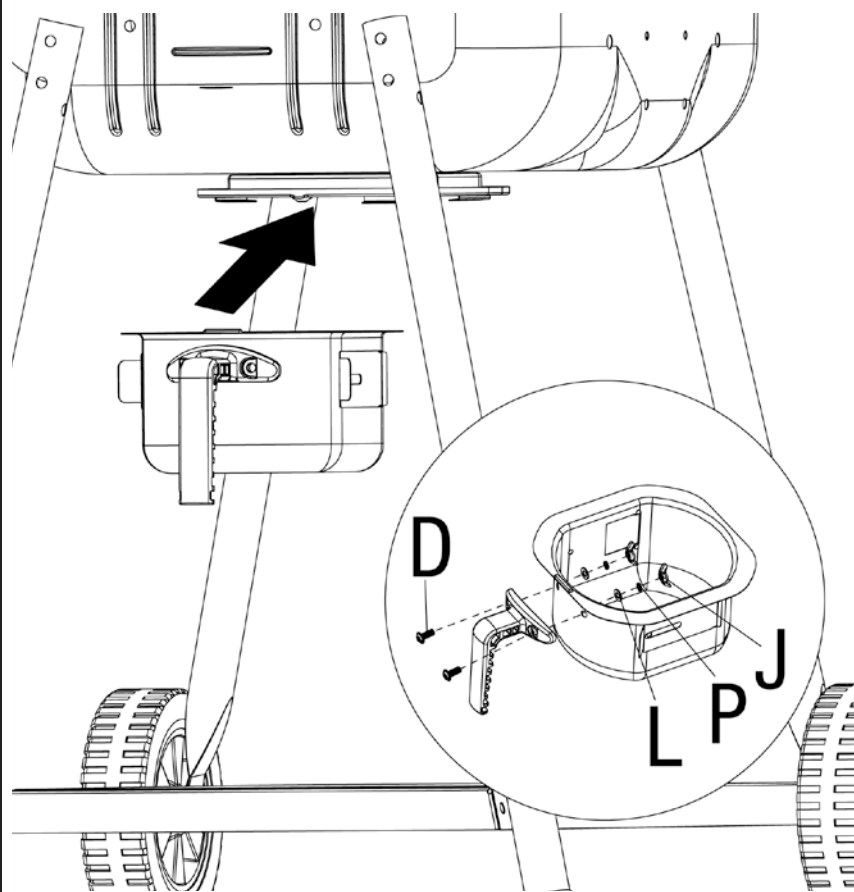


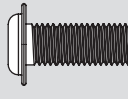



- | | | | |
|---|--|---|--|
| C |  x1 | M |  x2 |
| D |  x2 | N |  x2 |
| J |  x3 | P |  x3 |
| L |  x3 | | |

6

Attach Ash Receiver Handle and Insert Ash Receiver Assembly

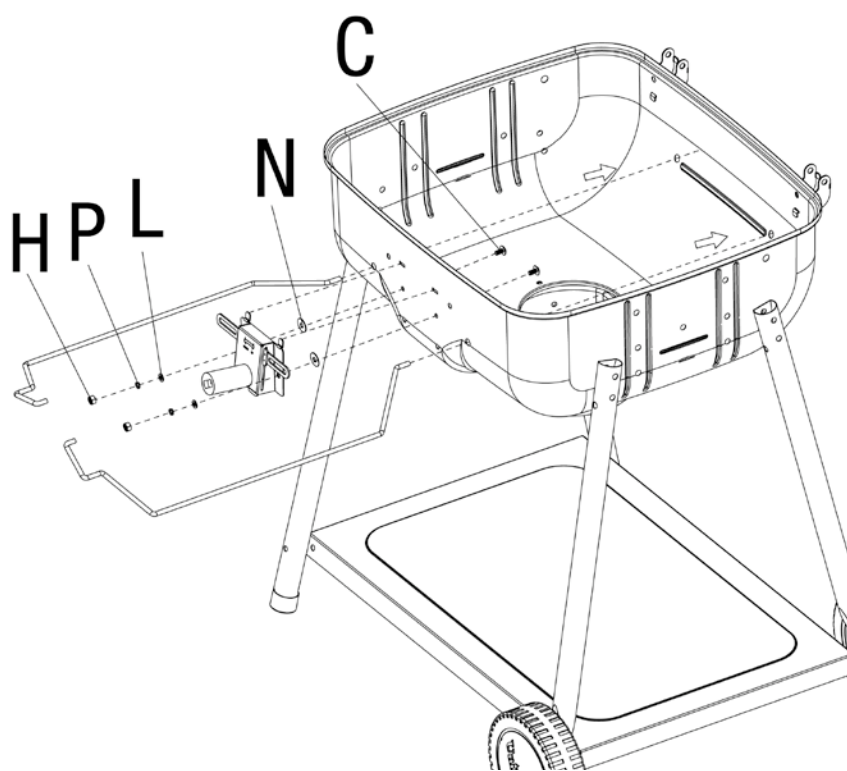
Note: Ash Receiver must be in place before lighting.

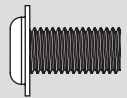






- | | | | |
|---|--|---|--|
| D |  x2 | L |  x2 |
| J |  x2 | P |  x2 |

7

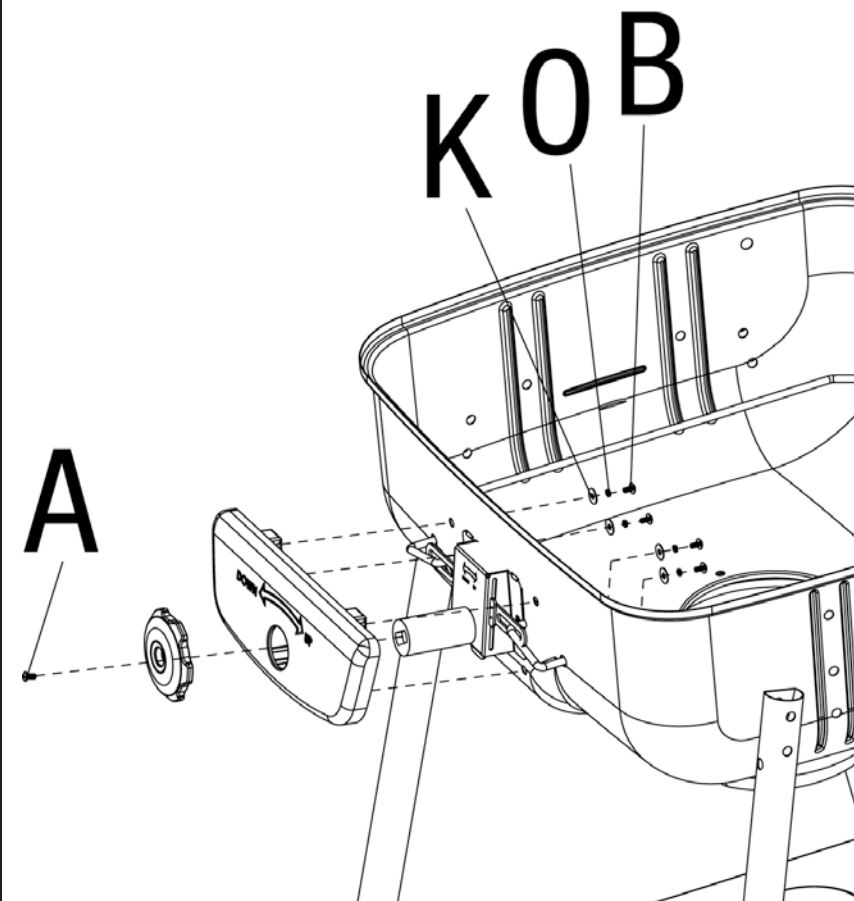
Attach Adjustable Knob Assembly and Charcoal Grid Support Rods



- | | | | |
|---|--|---|--|
| C |  x2 | N |  x2 |
| H |  x2 | P |  x2 |
| L |  x2 | | |

8

Attach Control Panel and Control Knob

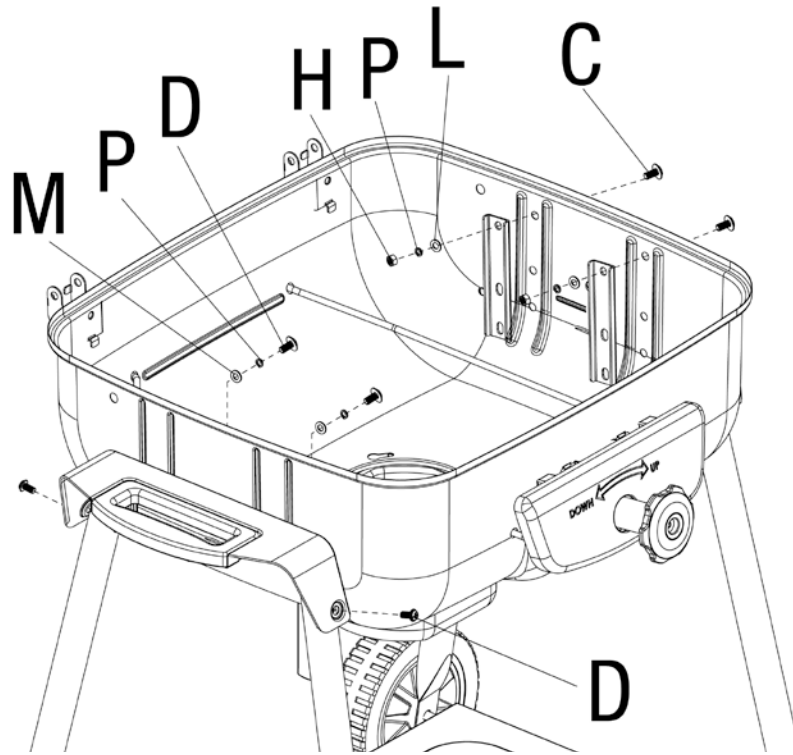


- | | | | |
|---|--|---|--|
| A |  x1 | K |  x4 |
| B |  x4 | O |  x4 |

Assembly Instructions (continued)

9

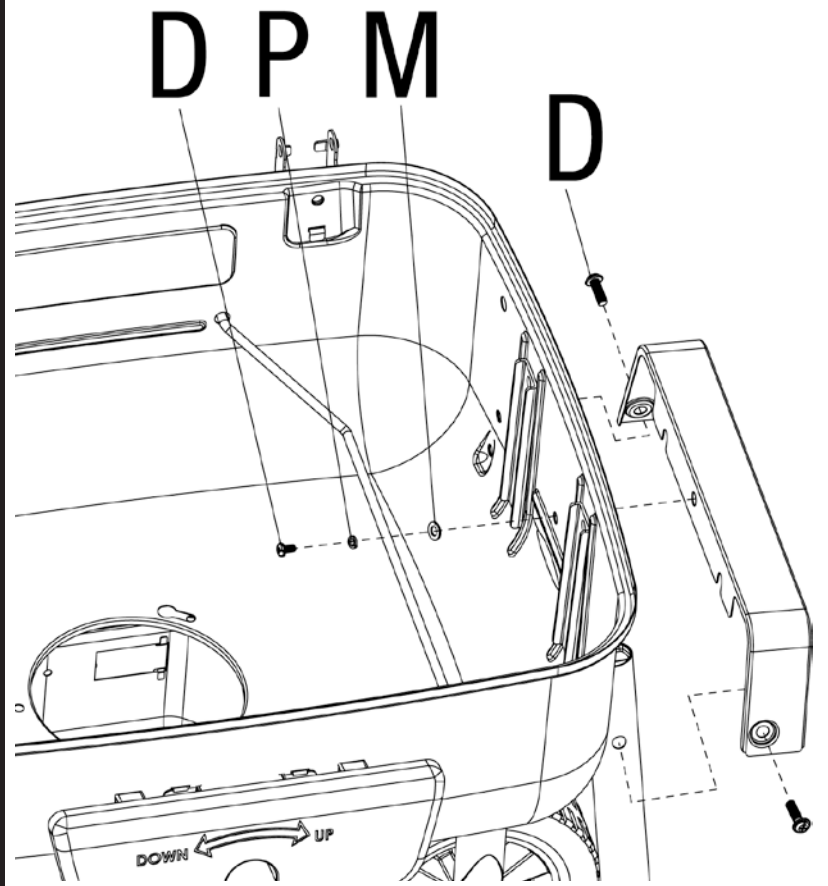
Attach Left Side Handle and Right Side Shelf Brackets



- | | | | | | |
|---|--|-----|---|--|-----|
| C | | x 2 | L | | x 2 |
| D | | x 4 | M | | x 2 |
| H | | x 2 | P | | x 4 |

10

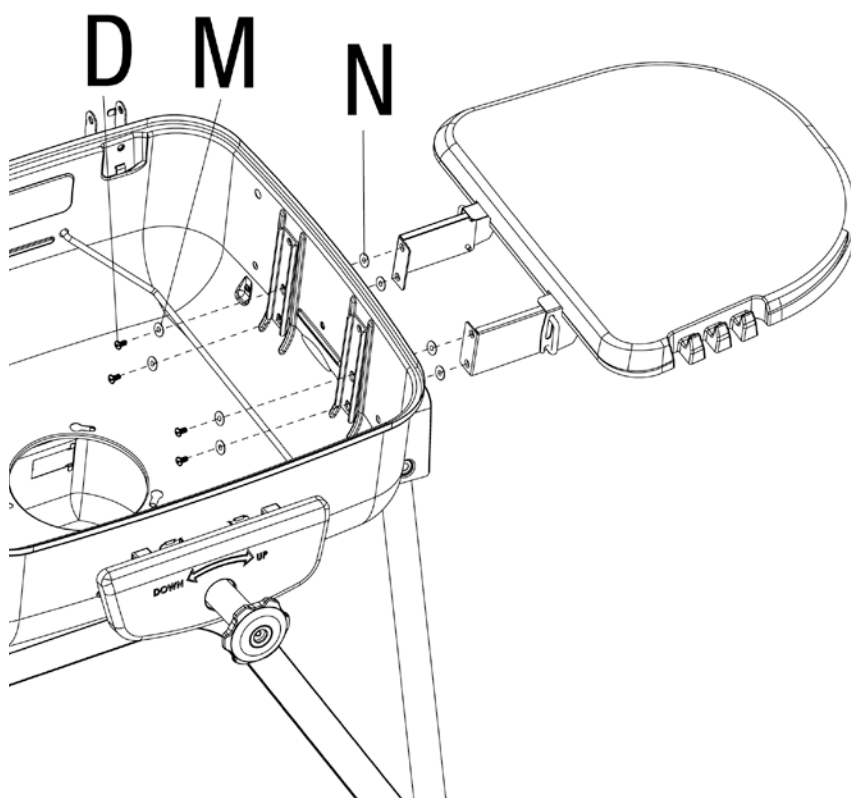
Attach Right Side Shelf Support



- | | | | | | |
|---|--|-----|---|--|-----|
| D | | x 3 | P | | x 1 |
| M | | x 1 | | | |

11

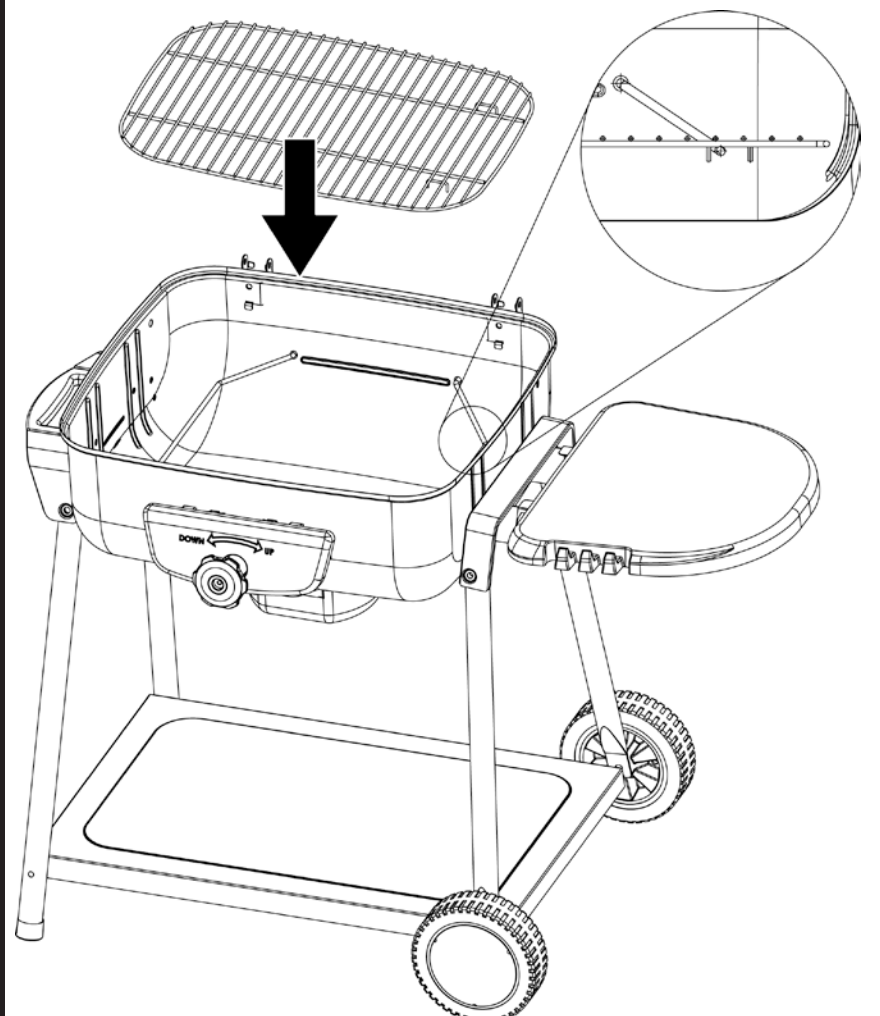
Attach Right Side Shelf



- | | | | | | |
|---|--|-----|---|--|-----|
| D | | x 4 | N | | x 4 |
| M | | x 4 | | | |

12

Insert Charcoal Grid



Operating Instructions

⚠ **Never use charcoal that has been pre-treated with lighter fluid. Use only a high grade plain charcoal, charcoal/wood mixture, lump charcoal or cooking wood.**

First Use

1. Make sure all labels, packaging and protective films have been removed from the grill.
2. Remove manufacturing oils before cooking on this grill for the first time, by operating the grill for at least 15 minutes with the lid closed. This will "heat clean" the internal parts and dissipate odors.

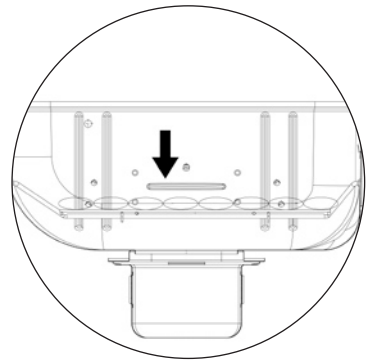
Lighting

⚠ **Check to make sure the air vents are free of debris and ash before using the grill.**

⚠ **Make sure ash catcher is empty and securely and completely in place before using the grill.**

1. Open lid and vents.
2. Make sure ash receiver is empty and secure.
3. Remove cooking grid.
4. Lower the adjustable charcoal grid to the lowest setting.
5. Arrange charcoal briquettes or other fuel on the charcoal grid to the "Fill Line". (Figure 1)
6. Light per instructions on fuel package.
7. Allow fuel time to ash into glowing coals before cooking.

Figure 1



⚠ **CAUTION: When using a liquid starter always check ash catcher before lighting. Fluid can collect in the ash receiver and could ignite resulting in a fire below the bowl.**

⚠ **CAUTION: Never add lighting fluid to hot or even warm coals as flashback may occur causing serious injury or damage to property.**

Adjustable Charcoal Grid

The patented adjustable charcoal grid allows you to easily adjust the temperature of your grill. To raise the charcoal grid and grill your food at a higher temperature, turn the knob to the right (clockwise).

To lower the charcoal grid and grill your food at a lower temperature, turn the knob to the left (counterclockwise).

Direct Cooking

Cooking directly over hot coals is ideal for searing in juices and grilling food requiring less than 25 minutes of grilling time, such as steaks, hamburgers, hot dogs, chicken parts, vegetables and fruit.

1. Open lid and remove cooking grid.
2. Load and light charcoal per charcoal manufacturer's instructions. Leave lid open.
3. While wearing protective gloves, carefully spread hot coals evenly across charcoal grid with a long handle tool.
4. While wearing protective gloves replace cooking grid, close lid and allow grill to preheat.
5. While wearing protective gloves open lid and place food onto cooking grids above the hot coals with long handle tongs.
6. With lid open or closed, cook until desired internal food temperatures are achieved.

Note: If additional briquettes are needed, remove food from cooking grid and while wearing protective gloves remove the cooking grid and place additional briquettes without disturbing the hot coals. Carefully replace cooking grid and food.

7. Allow charcoal to burn out by closing lid and all vents. Except in the case of an emergency, do NOT pour water on hot coals.

Indirect Cooking

Not cooking directly over hot coals is ideal for slow cooking and grilling foods requiring more than 25 minutes such as most roasts, loins, chops, whole chickens, turkey, fish and baked goods.

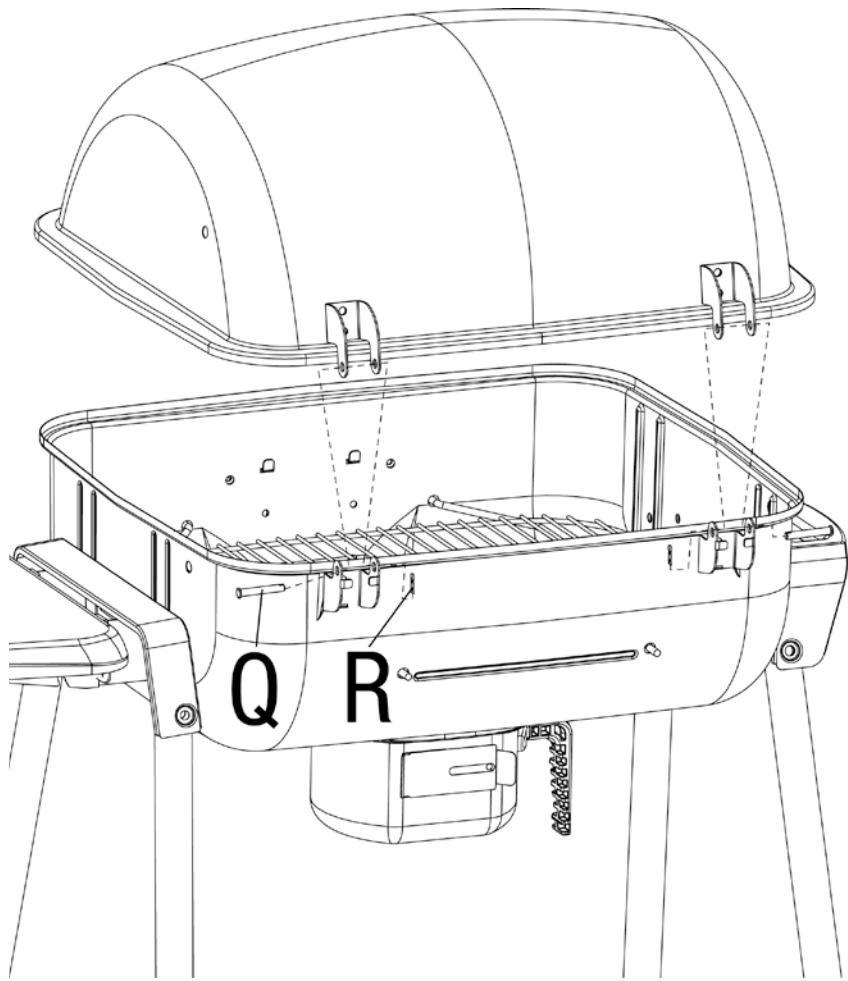
1. Open lid and remove cooking grid.
2. Load and light charcoal per charcoal manufacturer's instructions. Leave lid open.
3. While wearing protective gloves, carefully spread hot coals to the outsides of charcoal grid with a long handle tool.
4. While wearing protective gloves replace cooking grid, close lid and allow grill to preheat.
5. Wear protective gloves to open lid. Use long handled tools to place food onto cooking grids above the areas without hot coals.
6. With lid closed, cook until desired internal food temperatures are achieved.


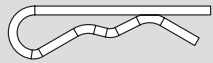
Note: If additional briquettes are needed, remove food from cooking grid and while wearing protective gloves remove the cooking grid and place additional briquettes without disturbing the hot coals. Carefully replace cooking grid and food.

7. Allow charcoal to burn out by closing lid and all vents. Except in the case of an emergency, do NOT pour water on hot coals.

13

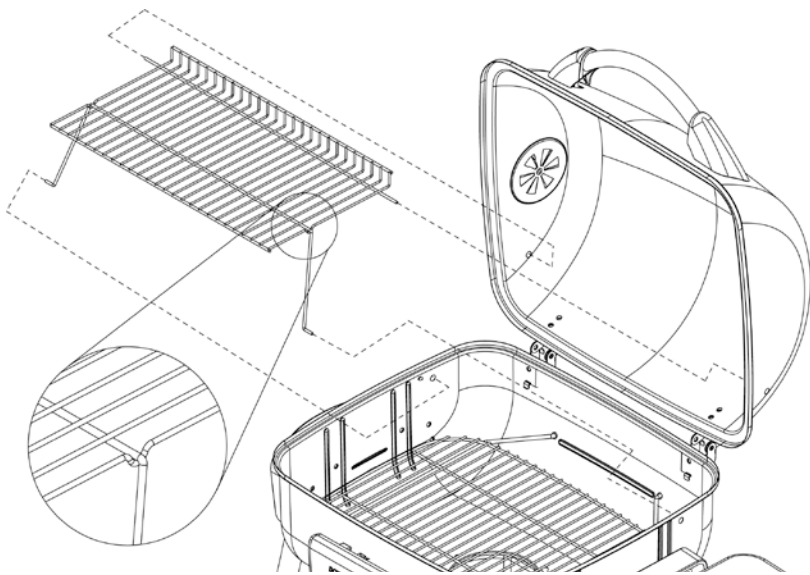
Attach Lid



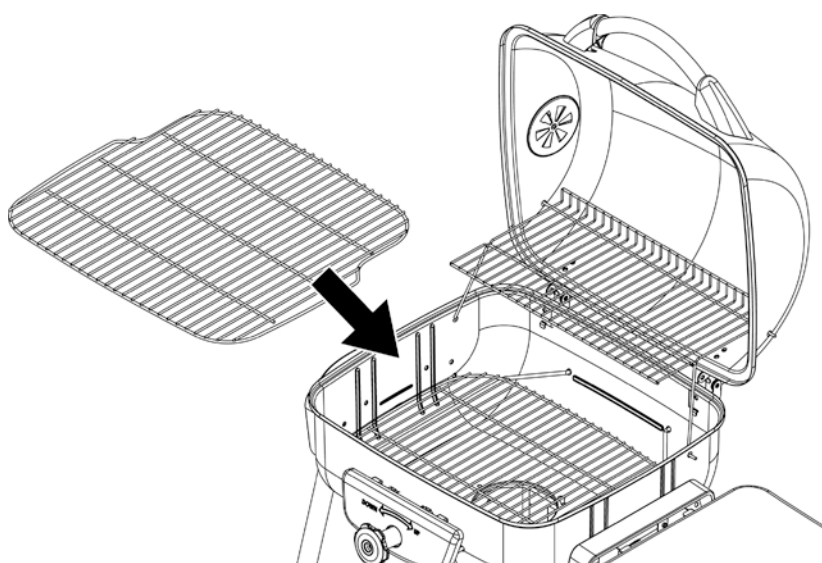
Q  x 2 R  x 2

14

Insert Warming Rack



Insert Cooking Grid





Operating Instructions (continued)

For more tips on indirect cooking please see "Tips for Better Cookouts and Longer Grill Life".

Controlling Flare-ups:

- ▲ **Caution: Do not use water on a grease fire. This can cause the grease to splatter and could result in serious burns, bodily harm or other damage.**
- ▲ **Caution: Do not leave grill unattended while preheating or burning off food residue. If grill has not been regularly cleaned, a grease fire can occur that may damage the product.**
- ▲ **WARNING: When cooking, fire extinguishing materials shall be readily accessible. In the event of an oil/grease fire, do not attempt to extinguish with water. Use type BC dry chemical fire extinguisher or smother with dirt, sand or baking soda.**

Flare-ups are a part of cooking meats on a grill and adds to the unique flavor of grilling.

Excessive flare-ups can over-cook your food and cause a dangerous situation for you and your grill.

Excessive flare-ups result from the build-up of grease in the bottom of your grill.

If excessive flare-ups occur, DO NOT pour water onto the flames.

If grease fire occurs, close the lid until the grease burns out. Use caution when opening the lid as sudden flare-ups may occur.

Minimize Flare-ups:

1. Trim excess fat from meats prior to cooking.
2. Cook high fat contents meats indirectly.
3. Ensure that your grill is on hard, level, non-combustible surface.

Tips for Better Cookouts and Longer Grill Life

1. For great recipes and tips, visit recipes.uniflame.com.
2. To reduce flare-up keep grill clean, use lean cuts of meat (or trim fat) and avoid cooking on very high temperatures.
3. Place delicate foods like fish and vegetables in aluminum foil pouches and indirect cook or place on upper cooking levels (warming rack).
4. To avoid losing natural juices, use long handled tongs or spatulas instead of forks and turn foods over just once during cooking.
5. When indirect cooking roasts and larger cuts of meat, place meat onto a roasting rack inside a heavy gauge metal pan.
6. Try water pans to reduce flare-ups and cook juicer meats. Before starting coals remove cooking grids and place a heavy duty shallow pan directly on charcoal grid. Fill half way with water, fruit juices or other flavored liquids. Place coals around grid, per "Lighting Instructions", replace cooking grids and position food over the loaded pan.
7. Enhance food flavors by using wood chips in smoker boxes or aluminum foil pouches. Follow the wood manufacturer's instructions.
8. Rotisseries, grill baskets, vertical poultry holders and other accessories can enhance your experiences, reduce cooking times and aid in clean-up.
9. Clean cooking grids and racks after every use with a quality grill brush designed for your grid material. Wear protective gloves and gently remove the build-up while grids are hot.
10. Allow grill to fully cool after every use. Then protect clean cooking grids with a light coat of cooking oil, clean out all ashes, wipe outside surfaces with a suitable kitchen cleaner and protect surfaces with a quality cover that is properly fits your grill.
11. Watch barbecue themed TV shows or purchase related barbecue cookbooks to learn helpful and interesting tips.

Cleaning and Care

- ▲ **CAUTION: All cleaning and maintenance should be done when grill is cool (about 45 minutes) and with the fuel supply removed.**
- ▲ **CAUTION: DO NOT clean any grill part in a self cleaning oven. The extreme heat will damage the finish.**

Notices:

1. **Abrasive cleaners will damage this product.**
2. **Never use oven cleaner to clean any part of grill.**

Cleaning Surfaces:

1. Wipe surfaces clean with mild dishwashing detergent or baking soda.
2. For stubborn surfaces use a citrus based degreaser and a nylon scrubbing brush.
3. Rinse clean with water.

Tips:

1. Keep grill covered when not in use to help prevent rust.

2. Applying a light coat of vegetable oil or vegetable oil spray to the interior surfaces of the grill can help prevent rust. Do NOT coat charcoal grate or ash receiver.

Product Registration

For faster warranty service, register your product immediately at www.bluerhino.com or call 1.800.762.1142.

Limited Warranty

Blue Rhino Global Sourcing, Inc ("Vendor") warrants to the original retail purchaser of this product, and to no other person, that if this product is assembled and operated in accordance with the printed instructions accompanying it, then for a period of one (1) year from the date of purchase, all parts in such product shall be free from defects in material and workmanship. Vendor may require reasonable proof of your date of purchase. Therefore, you should retain your sales slip or invoice. This Limited Warranty shall be limited to the repair or replacement of parts, which prove defective under normal use and service and which Vendor shall determine in its reasonable discretion upon examination to be defective. Before returning any parts, you should contact Vendor's Customer Service Department using the contact information listed below. If Vendor confirms, after examination, a defect covered by this Limited Warranty in any returned part, and if Vendor approves the claim, Vendor will replace such defective part without charge. If you return defective parts, transportation charges must be prepaid by you. Vendor will return replacement parts to the original retail purchaser, freight or postage prepaid.

This Limited Warranty does not cover any failures or operating difficulties due to accident, abuse, misuse, alteration, misapplication, improper installation or improper maintenance or service by you or any third party, or failure to perform normal and routine maintenance on the product as set out in this owner's manual. In addition, the Limited Warranty does not cover damage to the finish, such as scratches, dents, discoloration, rust or other weather damage, after purchase.

This Limited Warranty is in lieu of all other express warranties. Vendor disclaims all warranties for products that are purchased from sellers other than authorized retailers or distributors, including the warranty of merchantability or the warranty of fitness for a particular purpose. VENDOR ALSO DISCLAIMS ANY AND ALL IMPLIED WARRANTIES, INCLUDING WITHOUT LIMITATION THE IMPLIED WARRANTIES OF MERCHANTABILITY AND FITNESS FOR A PARTICULAR PURPOSE. VENDOR SHALL HAVE NO LIABILITY TO PURCHASER OR ANY THIRD PARTY FOR ANY SPECIAL, INDIRECT, PUNITIVE, INCIDENTAL, OR CONSEQUENTIAL DAMAGES. Vendor further disclaims any implied or express warranty of, and assumes no responsibility for, defects in workmanship caused by third parties.

This Limited Warranty gives the purchaser specific legal rights; a purchaser may have other rights depending upon where he or she lives. Some jurisdictions do not allow the exclusion or limitation of special, incidental or consequential damages, or limitations on how long a warranty lasts, so the above exclusion and limitations may not apply to everyone.

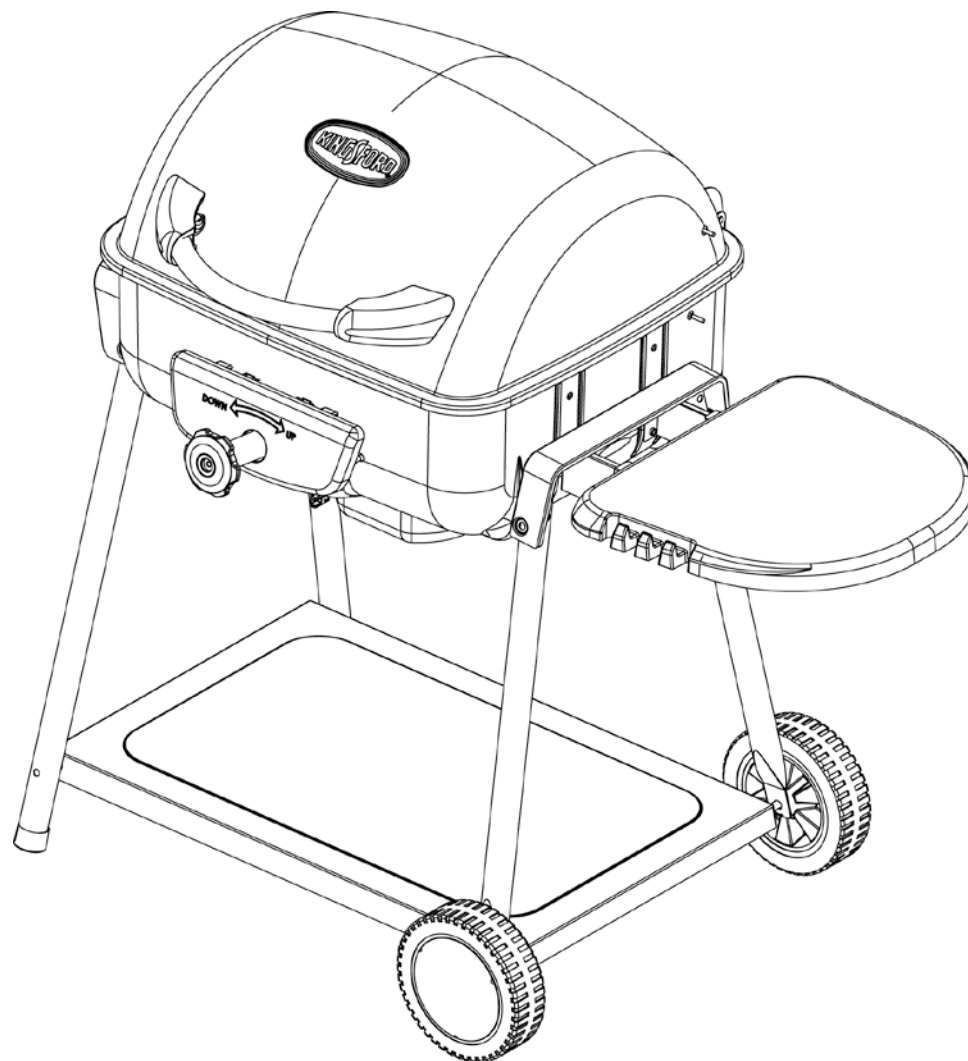
Vendor does not authorize any person or company to assume for it any other obligation or liability in connection with the sale, installation, use, removal, return, or replacement of its equipment, and no such representations are binding on Vendor.

Blue Rhino Global Sourcing, Inc
Winston-Salem, North Carolina USA
(800) 762-1142



Parrilla de carbón de leña para exteriores

Modelo no. CBC1030W



ADVERTENCIA PARA SU SEGURIDAD:

Solamente para uso en exteriores
(fuera de cualquier recinto)



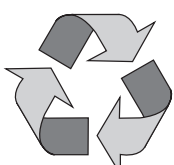
ADVERTENCIA PARA SU SEGURIDAD:

1. Una instalación, ajuste, alteración, reparación o mantenimiento inadecuados pueden causar lesiones o daños a la propiedad.
2. Lea atentamente las instrucciones de instalación, funcionamiento y mantenimiento del equipo antes de instalarlo, ponerlo en marcha o darle servicio.
3. El no seguir estas instrucciones puede ocasionar un incendio o una explosión, con sus consecuentes daños a la propiedad, lesiones personales y hasta accidentes fatales.

Indice

Salvaguardias importantes	Página 2
Diagrama de explosión y elementos de ferretería	3
Instrucciones de armado	4
Instrucciones de operación	7
Uso por primera vez	7
Cocción	7
Llamaradas	8
Sugerencias	8
Limpieza y cuidado	8
Registro del producto	8
Garantía limitada	8

Conserve estas instrucciones para futuras consultas. Si está montando esta unidad para otra persona, entréguele este manual para futuras consultas.



Hecho con 70% de bagazo de caña

(subproducto de la caña de azúcar respetuoso del medio ambiente)

Fabricado en China para:
Blue Rhino Global Sourcing, Inc
Winston-Salem, NC EE.UU.
1.800.762.1142, www.bluerhino.com

© 2010 Blue Rhino Global Sourcing, Inc. Todos los derechos reservados.

Kingsford® y el logo Kingsford® logo son marcas registradas de Kingsford Products Company, LLC y se usan bajo licencia. Todos los derechos reservados.

CBC1030W-OM-109 ES

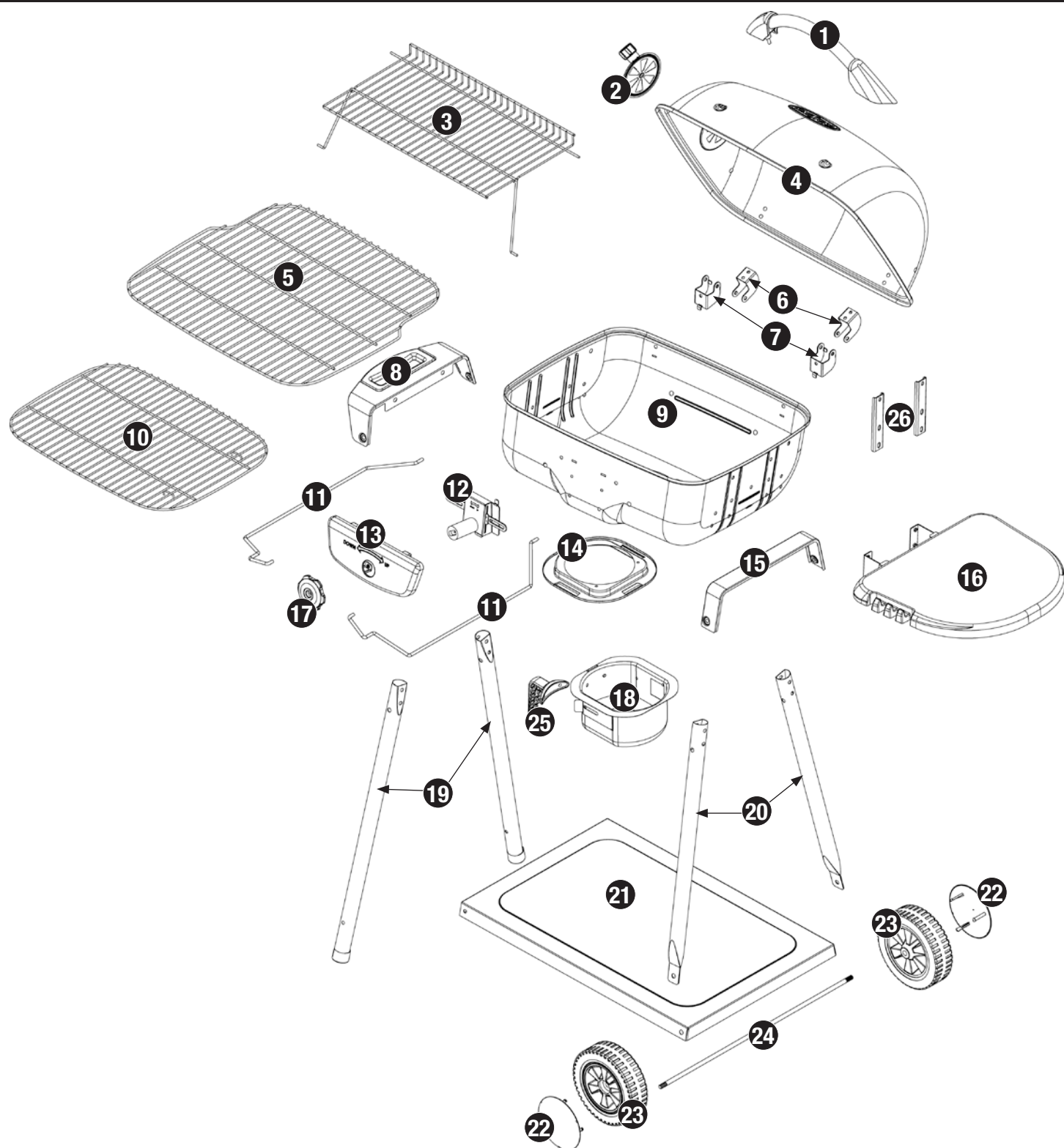


- ⚠ PELIGRO:** El no seguir los avisos de peligro, las advertencias y las precauciones de este manual, puede ocasionar un incendio o una explosión, con sus consecuentes daños a la propiedad, lesiones personales y hasta accidentes fatales.
-
- ⚠ ADVERTENCIA:**
- ⚠ Esta parrilla es para ser usada al aire libre únicamente y no debe usarse en un edificio, garaje o cualquier otra área cerrada.
 - ⚠ Esta parrilla tiene certificación de seguridad para uso en los Estados Unidos y/o Canadá solamente. No modifique la unidad para uso en otros lugares. La modificación causará un riesgo de seguridad y anulará la garantía.
 - ⚠ NO opere, encienda o use esta unidad a menos de 8 pies (2,43 m) de paredes estructuras o edificaciones.
 - ⚠ Mantenga todo material y superficies combustibles a por lo menos 36 pulgadas (91 cm) de la parrilla en todo momento. NO use esta parrilla debajo de aleros o cerca de construcciones combustibles que no estén debidamente protegidas.
 - ⚠ Esta parrilla NO ha sido diseñada para uso comercial.
 - ⚠ NO use la parrilla para cocinar adentro o calentar el ambiente. Los gases tóxicos de monóxido de carbono pueden acumularse y provocar la asfixia.
 - ⚠ No utilice gasolina, queroseno o alcohol para encender la parrilla.
 - ⚠ No utilice el equipo en una atmósfera explosiva. Mantenga la zona de la parrilla libre de materiales combustibles, gasolina y cualquier otro vapor o líquido inflamable.
 - ⚠ No guarde o use gasolina u otros líquidos o vapores inflamables a menos de 25 pies (7,62 m) de esta unidad.
 - ⚠ Nunca use carbón previamente tratado con líquido para encenderlo. Use solo carbón corriente de alta calidad, mezcla de carbón y madera, carbón en trozos o madera para cocinar.
 - ⚠ No altere la parrilla de ninguna forma. Esto invalidará su garantía.
 - ⚠ No utilice la parrilla a menos que esté completamente montada y que todas las piezas estén bien fijadas y apretadas.
 - ⚠ Esta parrilla debe limpiarse y verificarse completamente de manera regular.
 - ⚠ Use únicamente piezas autorizadas de fábrica de Blue Rhino Global Sourcing, Inc. El uso de cualquier pieza no autorizada de fábrica puede ser peligroso. Su uso también invalidará su garantía.
 - ⚠ No encienda esta unidad sin haber leído las instrucciones de "Encendido" que se encuentran en este manual.
 - ⚠ No toque las piezas de metal de la parrilla hasta que no se haya enfriado completamente (alrededor de 45 minutos) para evitar quemaduras, a menos que usted tenga puestos elementos de protección tales como guantes o almohadilla para las ollas, guantes de barbacoa, etc.
 - ⚠ Nunca toque rejillas (de carbón de leña o de cocción), las cenizas o el carbón para determinar si están calientes.
 - ⚠ No usar sobre terrazas de madera, muebles de madera o sobre cualquier otra una superficie combustible.
 - ⚠ NO instalar o utilizar en embarcaciones o vehículos de recreo.
 - ⚠ Coloque la parrilla de manera que el viento no lleve cenizas a superficies combustibles.
 - ⚠ No utilice la parrilla si hace mucho viento.
 - ⚠ Nunca se apoye sobre la parrilla cuando la está encendiendo.
 - ⚠ No deje una parrilla encendida sin vigilancia, especialmente, mantenga los niños y las mascotas lejos de la parrilla en todo momento.
 - ⚠ No intente mover la parrilla mientras esté encendida. Deje que la parrilla se enfríe (aprox. 45 minutos) antes de moverla o guardarla.
 - ⚠ Cuando esté cocinando, tenga fácilmente accesibles los elementos para extinguir un incendio. En caso de que la sustancia de freír se incendie no trate de extinguir el fuego con agua. Use un extinguidor de material químico seco tipo BC o ahogue el fuego con tierra, arena o soda de hornear.
 - ⚠ Abra siempre la tapa de la parrilla en forma cuidadosa y lentamente, pues el calor y el vapor que hay dentro de la parrilla pueden ocasionarle severas quemaduras.
 - ⚠ Nunca añada fluido para encender al carbón caliente o tibio ya que podría causar un brote de llamas y causar lesiones graves o daños materiales.
 - ⚠ Coloque siempre la parrilla sobre una superficie firme y nivelada que no sea combustible. Una superficie de asfalto o de pavimento puede que no sea adecuada para este propósito.
 - ⚠ No quite las cenizas antes de que éstas se hayan completamente enfriado y apagado.
 - ⚠ Briquetas y carbones encendidos pueden crear un riesgo de incendio.
 - ⚠ Siempre vacíe el recipiente para la ceniza y la parrilla después de haberlos usado.
 - ⚠ No coloque materias combustibles (briquetas, madera o carbón de leña en bloque) directamente en el fondo de la parrilla. Coloque la materia combustible únicamente en la rejilla y bandeja para el carbón de leña.
 - ⚠ No permita que el carbón esté en contacto en las paredes de la parrilla. Esto reducirá considerablemente la vida útil del metal y el acabado de la parrilla.
 - ⚠ Verifique que las aberturas de ventilación están libres de ceniza o residuos antes de usar la parrilla y mientras la está usando.
 - ⚠ Verifique que el recipiente para la ceniza está asegurado y totalmente en su lugar antes de usar la parrilla.
 - ⚠ El carbón apagado y las cenizas deben colocarse a una distancia segura de todas las estructuras y materiales combustibles.
 - ⚠ Con una manguera de jardín, humedezca por completo la superficie debajo y alrededor de la parrilla para apagar las cenizas, carbón o brasas que puedan haberse caído durante el proceso de cocinado o limpieza.
 - ⚠ Use siempre guantes de protección cuando vaya a agregar materia combustible para mantener el nivel de temperatura deseada.
 - ⚠ Mantenga todos los cables eléctricos lejos de una parrilla caliente.
 - ⚠ Use siempre un termómetro para carne para asegurar que la comida ha quedado cocida a la temperatura apropiada.
 - ⚠ Nunca cubra la totalidad del área de cocción con papel de aluminio.
 - ⚠ Por favor, use guantes de protección cuando esté armando este producto.
 - ⚠ No trate de forzar las piezas juntas pues esto puede ocasionar lesiones o dañar el producto.
 - ⚠ El no seguir exactamente las instrucciones dadas arriba puede producir daños a la propiedad, lesiones serias y hasta fatales.

Si necesita ayuda llame al 1.800.762.1142. No vuelva al lugar de compra.
Para obtener excelentes recetas y sugerencias, visite recipes.uniflame.com.

Lista de piezas		
1	Manija de la tapa	55-10-072
2	Regulador de aire	55-14-857
3	Rejilla de calentamiento	55-10-073
4	Tapa	55-10-074
5	Parrilla de cocción	55-10-075
6	Bisagra superior (2)	55-10-076
7	Bisagra inferior (2)	55-10-077
8	Manija izquierda	55-10-078
9	Carcasa	55-10-079
10	Rejilla para el carbón de leña	55-10-080
11	Vara de soporte de la rejilla para el carbón de leña (2)	55-10-081
12	Mecanismo de la perilla ajustable	55-09-203
13	Panel de control	55-10-082
14	Elemento de deslizamiento del recogedor de ceniza	55-09-200
15	Soporte de la repisa derecha	55-10-084
16	Repisa derecha	55-10-085
17	Perilla ajustable	55-10-086
18	Recogedor de ceniza	55-10-087
19	Pata izquierda (2)	55-10-088
20	Pata derecha (2)	55-10-089
21	Repisa inferior	55-10-090
22	Tapacubo (2)	55-10-432
23	Rueda (2)	55-14-861
24	Eje	55-10-091
25	Manija de la recogedor de ceniza	55-10-416
26	Soporte de la repisa derecha (2)	55-10-417

Diagrama de explosión

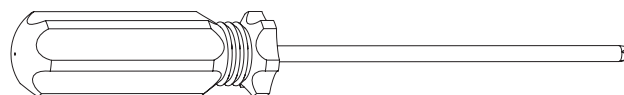


Elementos de ferretería

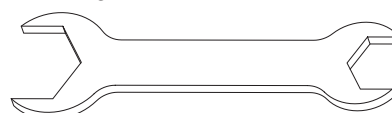
A	Tornillo	Phillips de cabeza abombada, galvanizado, M4x15	1 pz
B	Tornillo	Phillips de cabeza abombada, galvanizado, M5x12	5 pzs
C	Tornillo	Phillips de cabeza abombada, galvanizado, M6x12	5 pzs
D	Tornillo	Phillips de cabeza abombada, galvanizado, M6x16	19 pzs
E	Tornillo	Phillips de cabeza abombada, galvanizado, M6x40	8 pzs
F	Tornillo	Phillips de cabeza abombada, galvanizado, M6x45	2 pzs
G	Tuerca	Galvanizada, M10	2 pzs
H	Tuerca de caperuza	Galvanizada, M6	12 pzs
I	Tuerca de mariposa	Galvanizada, M5	1 pz
J	Tuerca de mariposa	Galvanizada, M6	13 pzs
K	Arandela	Galvanizada, ø5,5	4 pzs
L	Arandela	Galvanizada, ø6,5	15 pzs
M	Arandela	Galvanizada, ø6,5	33 pzs
N	Arandela	Resistente al calor, ø6,2	12 pzs
O	Arandela de cierre	Galvanizada, ø5,5	5 pzs
P	Arandela de cierre	Galvanizada, ø6,5	28 pzs
Q	Perno de ojal	Galvanizado, ø7x 45	2 pzs
R	Pasador de horquilla	Negro, ø1,4 x 30	2 pzs

Herramientas necesarias para el armado (incluidas)

Destornillador Phillips nº 2 1 pz



Llave inglesa M6 - M10 2 pzs



Instrucciones de armado

1 NO DEVUELVA EL PRODUCTO AL LUGAR DE COMPRA

Si necesita ayuda llame, sin cargo, al **1.800.762.1142**. Por favor tenga a mano su manual y el número del modelo, para referencia.

Para facilitar el armado:

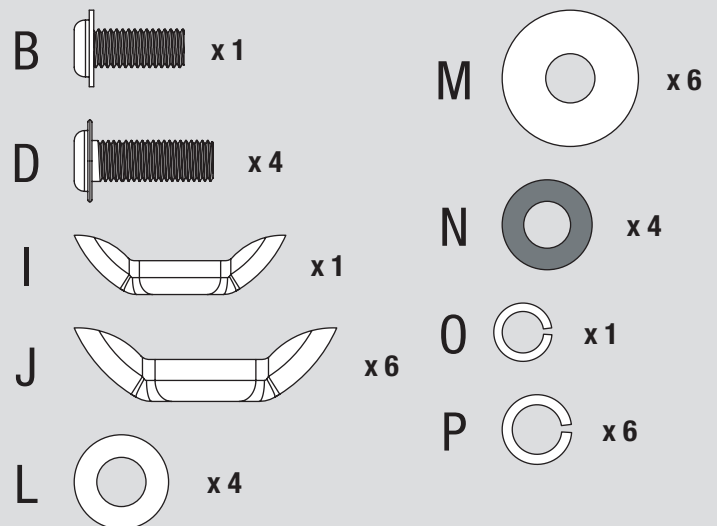
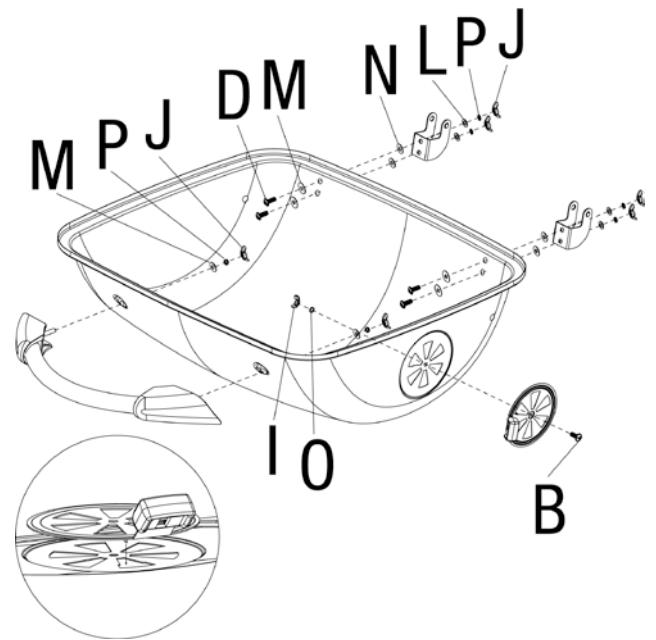
- Evite la pérdida de componentes pequeños o elementos de ferretería, armando el producto en un lugar de piso plano sin aberturas ni hendiduras.
- Despeje un área suficientemente grande para disponer todos los componentes y los elementos de ferretería.
- Cuando sea del caso, apriete a mano, en un principio, las conexiones de ferretería. Una vez que ha terminado el paso, apriete completamente todos los elementos de ferretería.
- Siga todos los pasos en el orden indicado para armar debidamente esta unidad.

Para terminar el armado de la unidad necesitará:

- (1) bolsa de carbón de leña

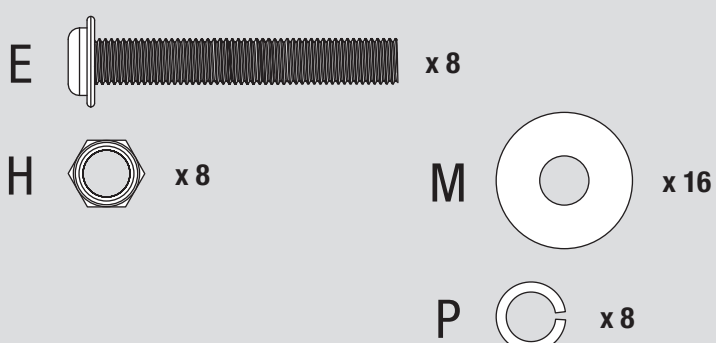
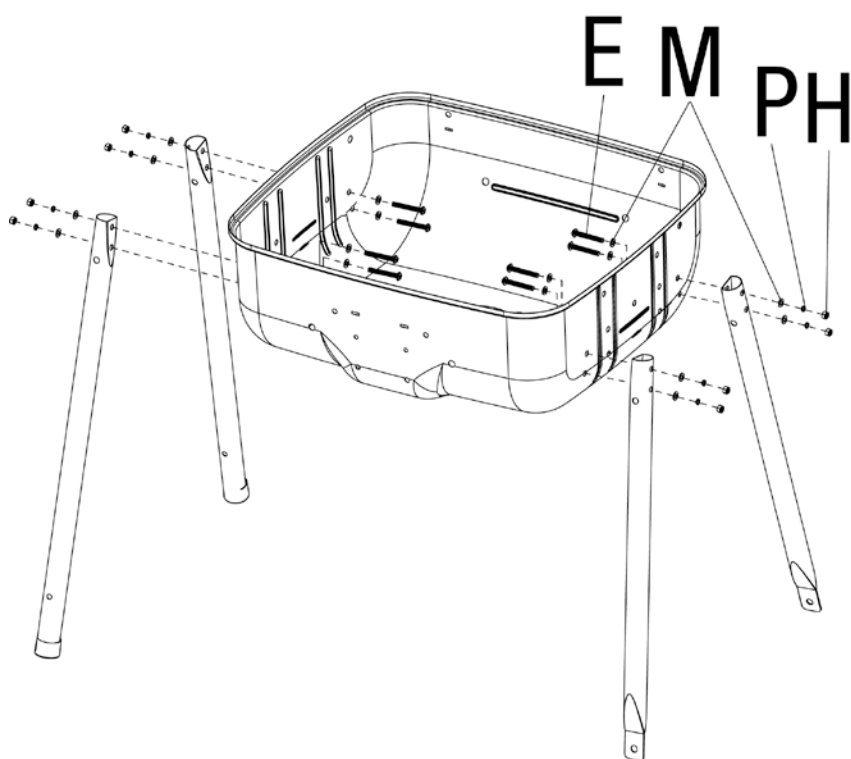
Tiempo de armado estimado: 45 minutos

2 Fije la manija y el regulador de aire de la tapa

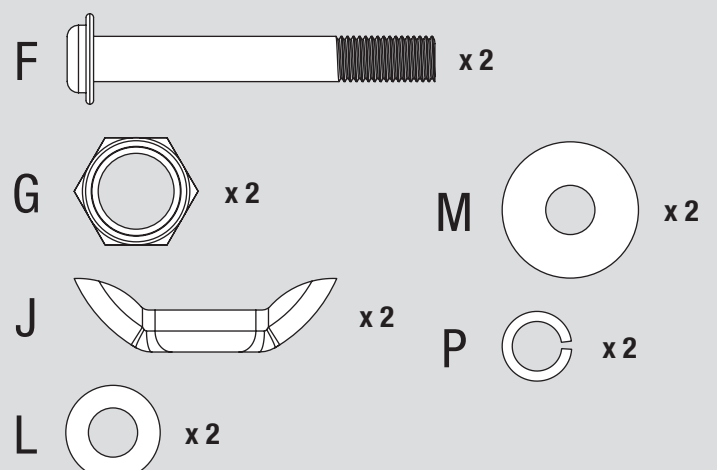
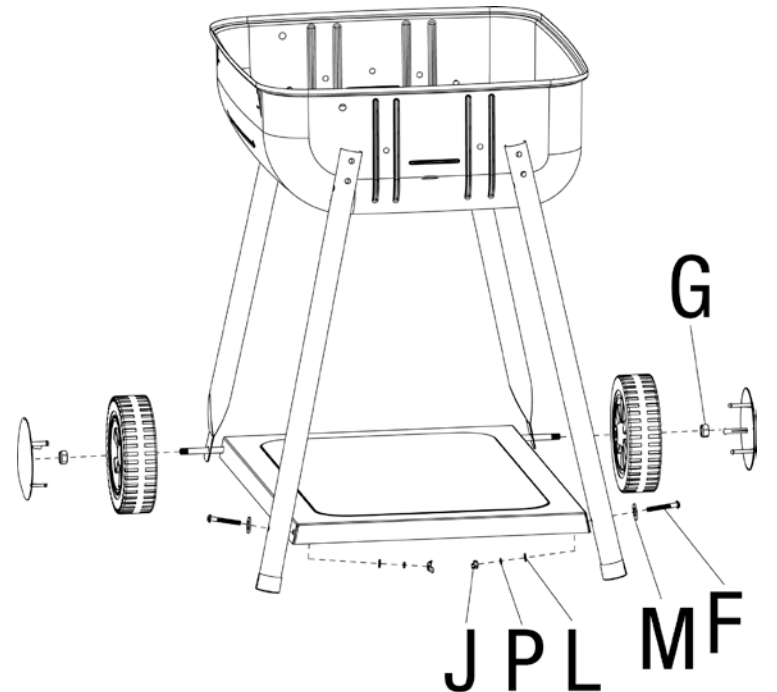


3 Fije las patas

Nota: Las patas de la ruedas se colocan en el lado derecho.



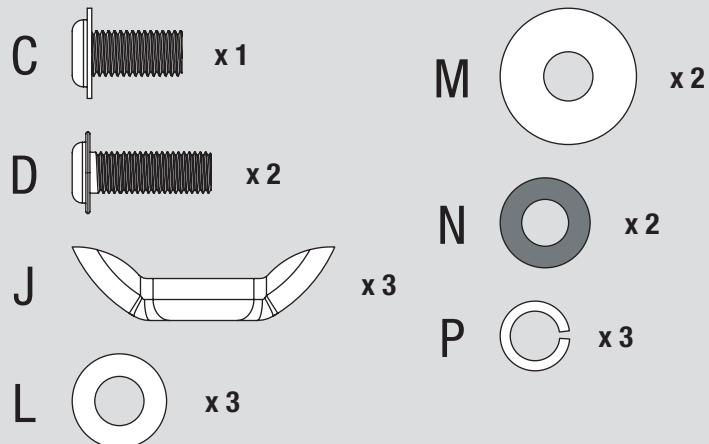
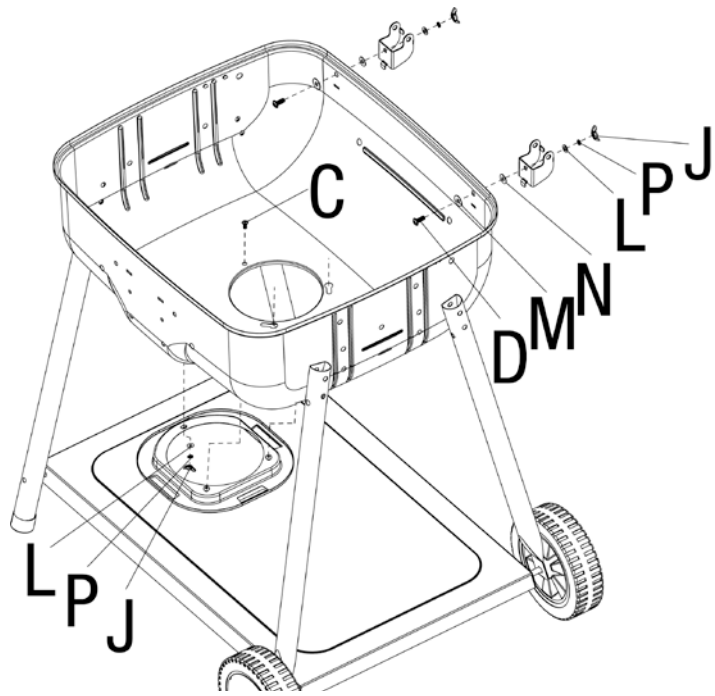
4 Fije la repisa inferior, el eje, las ruedas, y los tapacubos



Si necesita ayuda llame al 1.800.762.1142. No vuelva al lugar de compra.
Para obtener excelentes recetas y sugerencias, visite recipes.uniflame.com.

5

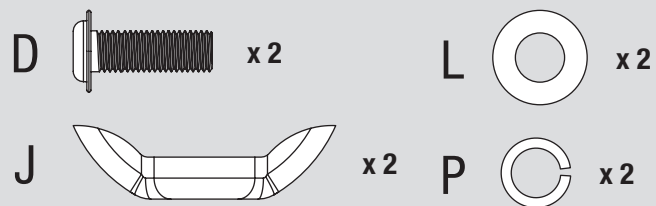
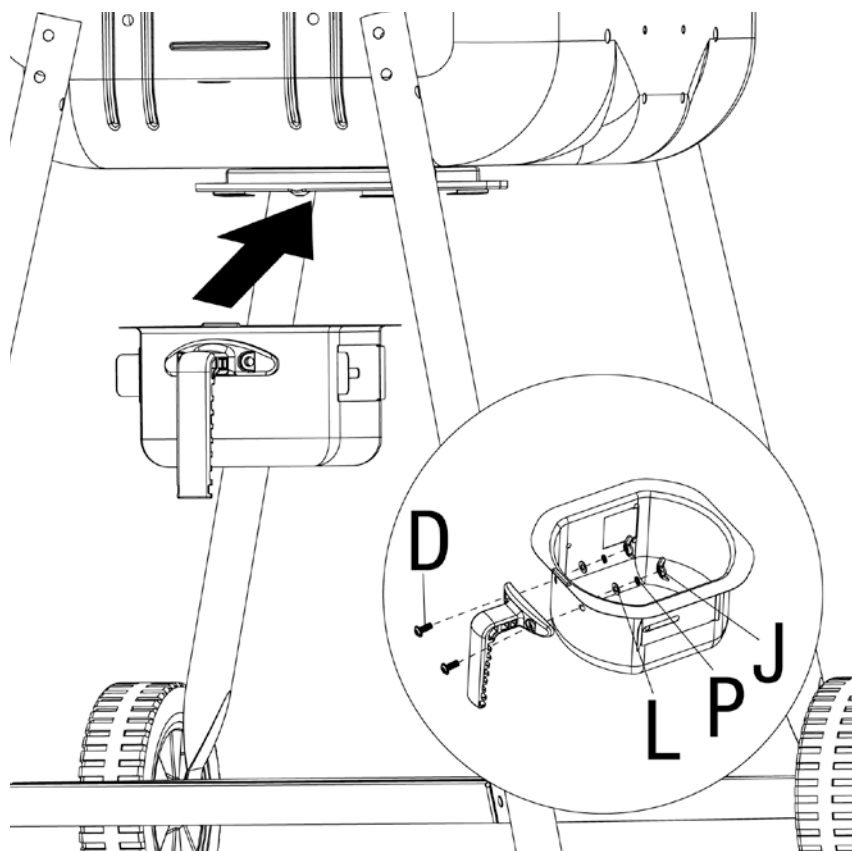
Fije las bisagras inferiores y el elemento de deslizamiento del recogedor de ceniza



6

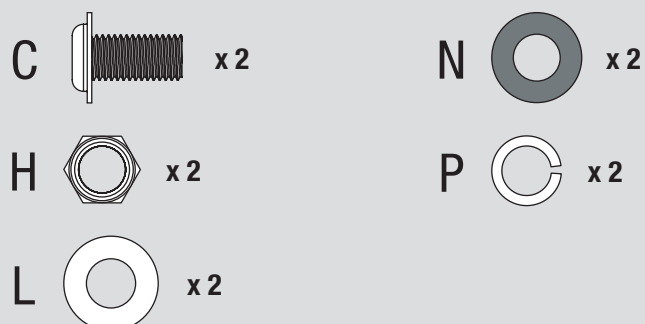
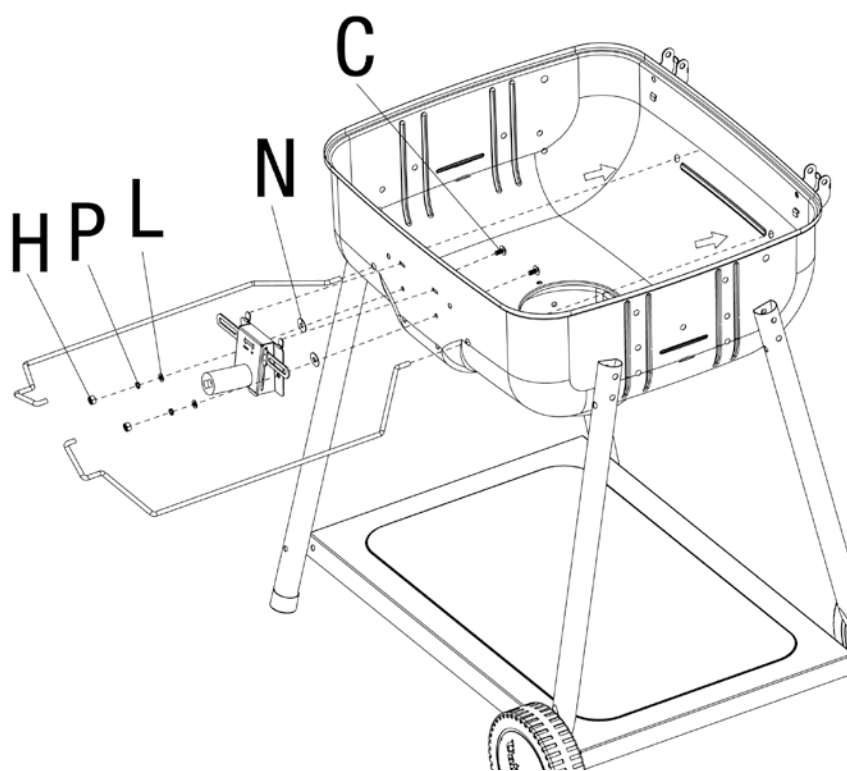
Fije el manija de la recogedor de ceniza y inserte el recogedor de ceniza

Nota: El recipiente para la ceniza siempre tiene que estar insertado antes de encender la parrilla.



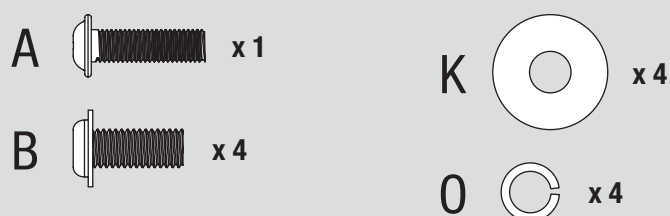
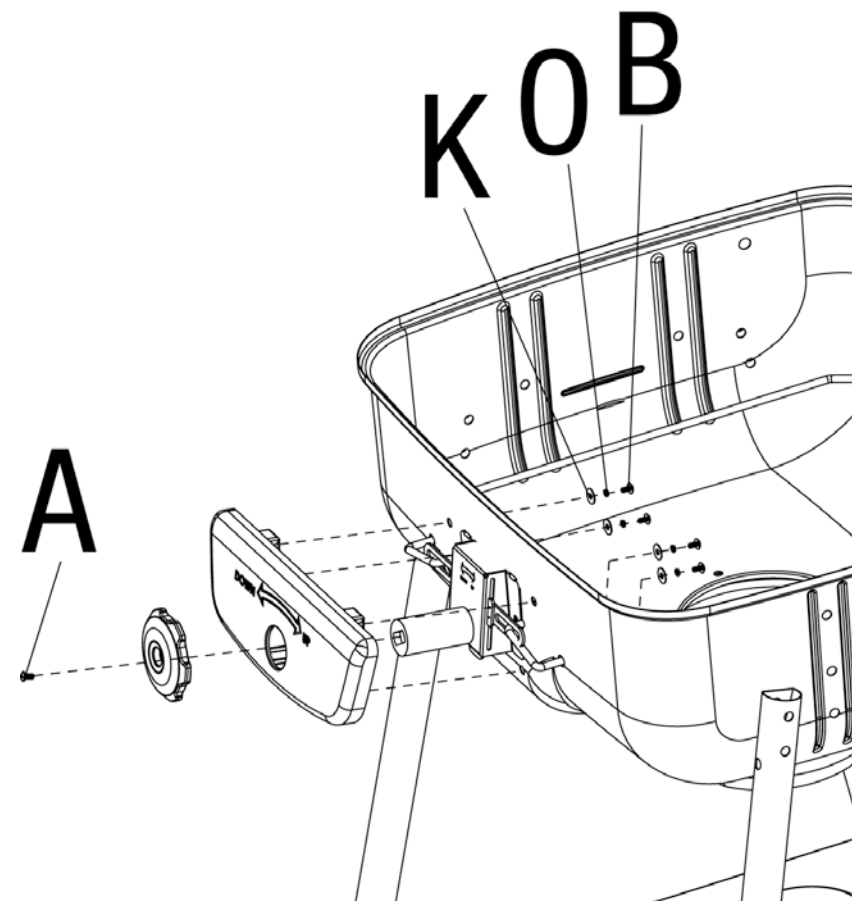
7

Instale el mecanismo de la perilla ajustable y las varas de soporte de la rejilla para el carbón de leña



8

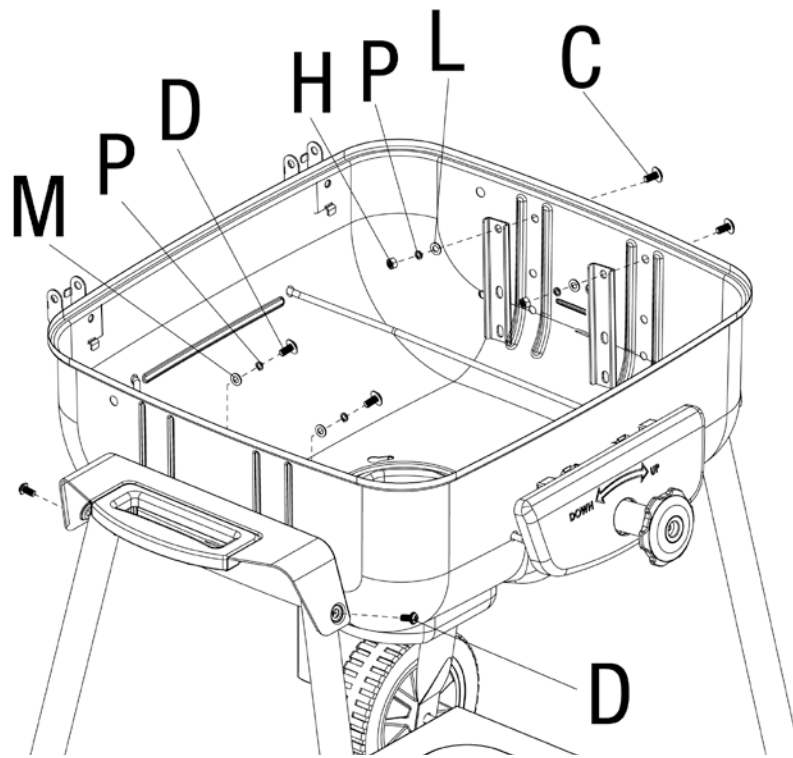
Fije el panel de control y la perilla ajustable



Instrucciones de armado (continuación)

9

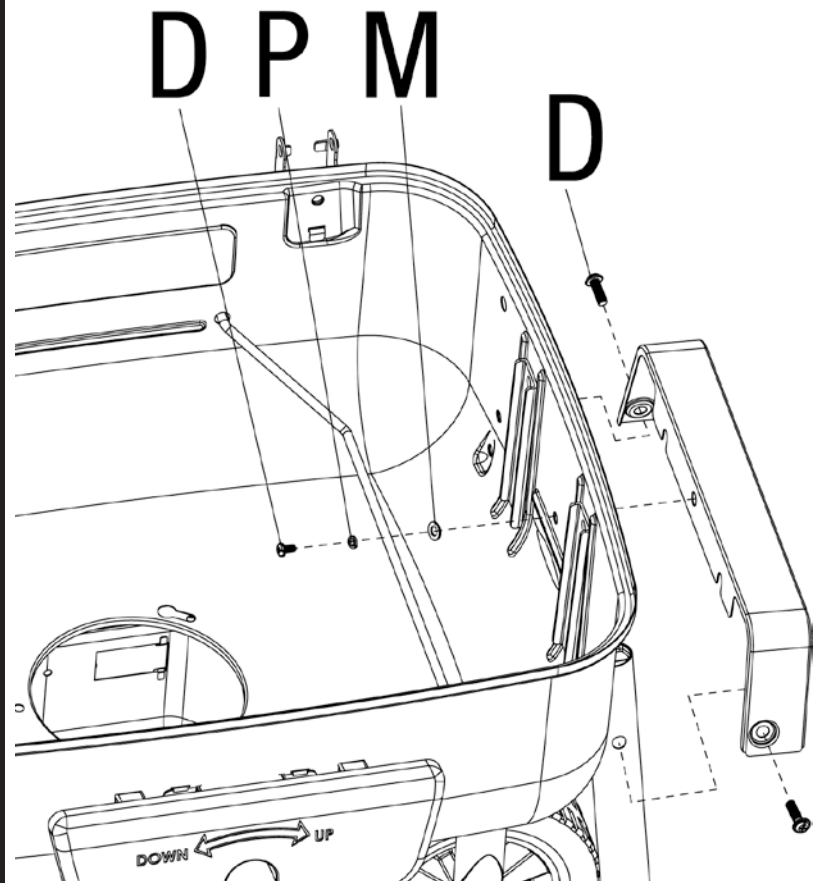
Fije la manija izquierda y los soportes de la repisa derecha



- | | | | |
|---|-----|---|-----|
| C | x 2 | L | x 2 |
| D | x 4 | M | x 2 |
| H | x 2 | P | x 4 |

10

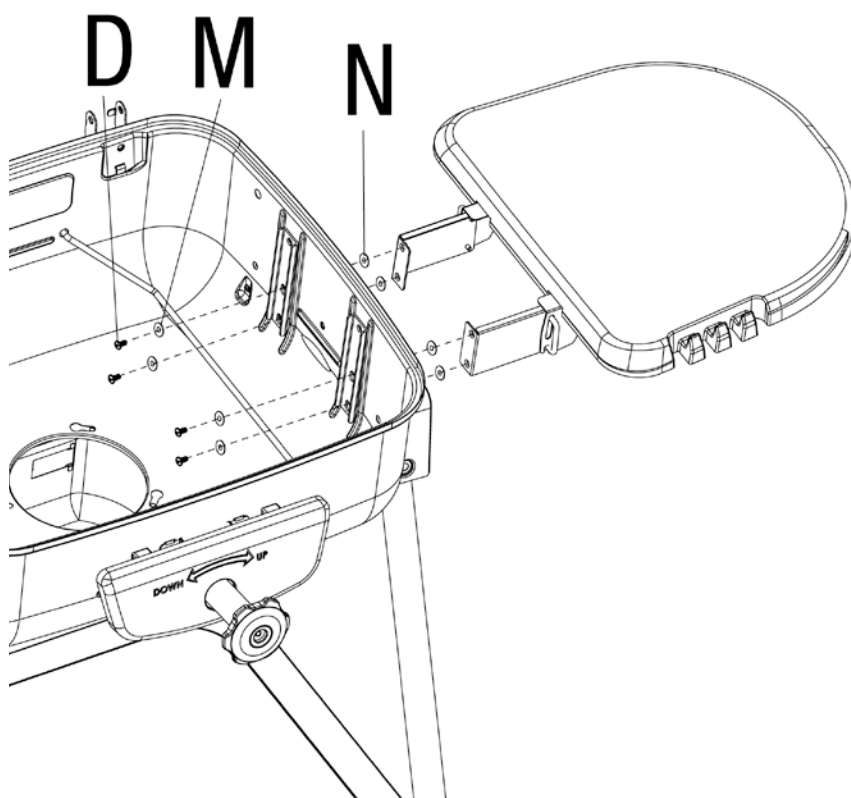
Fije el soporte de la repisa derecha



- | | | | |
|---|-----|---|-----|
| D | x 3 | P | x 1 |
| M | x 1 | | |

11

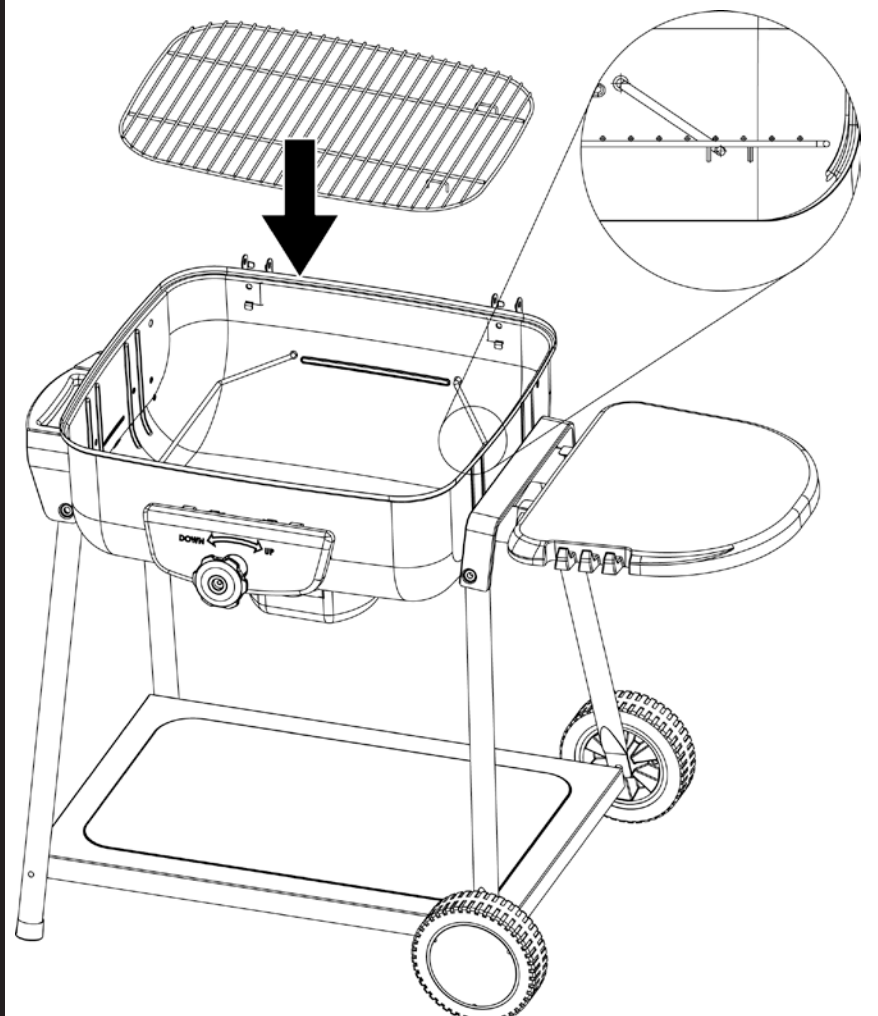
Fije la repisa derecha



- | | | | |
|---|-----|---|-----|
| D | x 4 | N | x 4 |
| M | x 4 | | |

12

Coloque la rejilla para el carbón de leña



Si necesita ayuda llame al 1.800.762.1142. No vuelva al lugar de compra.
Para obtener excelentes recetas y sugerencias, visite recipes.uniflame.com.

Instrucciones de operación

▲ PRECAUCION: Nunca use carbón previamente tratado con líquido para encenderlo. Use solo carbón corriente de alta calidad, mezcla de carbón y madera, carbón en trozos o madera para cocinar.

Uso por primera vez

1. Verifique que todos los empaques, etiquetas y envolturas de protección han sido removidos de la parrilla.
2. Remueva todo aceite de fabricación que encuentre en la unidad antes de usar la parrilla por primera vez, encendiendo la parrilla por lo menos por 15 minutos con la tapa cerrada. Esto realizará una "limpieza por calor" en las piezas internas de la unidad y hará que los olores se disipen.

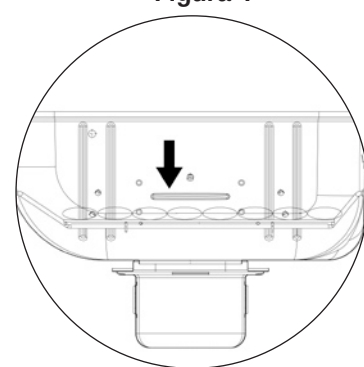
Encendido

▲ Verifique que las aberturas de ventilación están libres de residuos y ceniza antes de usar la parrilla.

▲ Igualmente, verifique que el recipiente para la ceniza está vacío y firmemente asegurado en su lugar.

1. Abra la tapa y los reguladores de aire.
2. Verifique que el recipiente para la ceniza está vacío y bien asegurado.
3. Saque la parrilla de cocción.
4. Baje la rejilla para el carbón de leña hasta la posición más baja.
5. Disponga las briquetas de carbón de leña o la materia combustible en la rejilla para carbón de leña hasta la línea "Fill Line" (línea de llenado). Vea la Figura 1.
6. Disponga la materia combustible de acuerdo con las instrucciones del empaque.
7. Deje que la materia combustible se torne en carbones encendidos antes de comenzar a cocinar.

Figura 1



▲ PRECAUCIÓN: Cuando use un líquido para encender el fuego verifique siempre, antes de encender el fuego, que el líquido no se ha acumulado en el recipiente para la ceniza, lo cual puede provocar un fuego debajo del cuenco de la parrilla.

▲ PRECAUCIÓN: Nunca aplique líquido para encender el fuego sobre briquetas tibias o calientes pues esto puede ocasionar una llamarada al envase del líquido y causar lesiones personales graves o daños a la propiedad.

Rejilla ajustable del carbón de leña

La rejilla ajustable del carbón de leña, patentada, le permite ajustar fácilmente la temperatura de la parrilla de cocción.

Para levantar la rejilla del carbón de leña y cocer los alimentos a una temperatura más alta, gire la perilla hacia la derecha (en la dirección de las manecillas del reloj).

Para bajar la rejilla del carbón de leña y cocer los alimentos a una temperatura más baja, gire la perilla hacia la izquierda (en la dirección contraria a las manecillas del reloj).

Cocción directa

Cocción directa sobre las briquetas calientes. Ideal para chamuscar los jugos y para cocer alimentos que requieran menos de 25 minutos de tiempo de asado, tales como bistec, hamburguesas, perros calientes, porciones de aves, legumbres y frutas.

1. Abra la tapa y remueva la parrilla de cocción.
2. Coloque las briquetas de carbón de leña y enciéndalas de acuerdo con las instrucciones del fabricante del carbón de leña. Deje la tapa abierta.
3. Usando guantes de protección, cuidadosamente extienda las briquetas calientes en forma pareja a lo largo de la parrilla, usando un utensilio de mango largo.
4. Usando guantes de protección, vuelva a colocar la parrilla de cocción, cierre la tapa y deje que la parrilla se caliente antes de cocer los alimentos.
5. Use guantes de protección y tenacillas de mango largo para colocar los alimentos en las parrillas de cocción sobre las briquetas calientes.
6. Con la tapa abierta o cerrada haga la cocción de los alimentos hasta que la temperatura interna del alimento se haya alcanzado.

Nota: Si es necesario agregar briquetas, remueva los alimentos de la parrilla de cocción y usando guantes de protección remueva la parrilla de cocción y coloque briquetas adicionales sin revolver las ya encendidas. Cuidadosamente vuelva a colocar la parrilla y, luego, los alimentos.

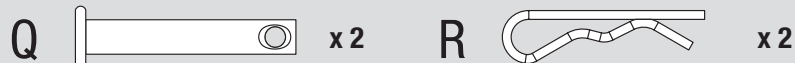
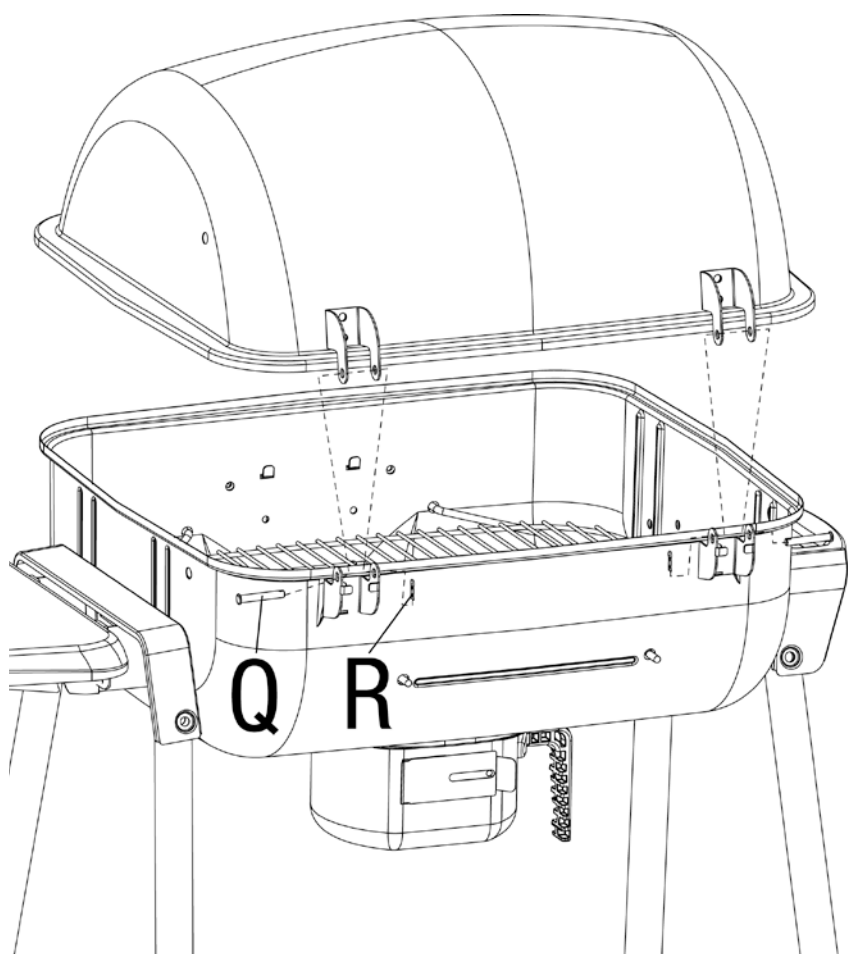
7. Deje que el carbón de leña se extinga completamente antes de cerrar la tapa y todos los orificios de ventilación. NO vierta agua sobre los carbones calientes, excepto en caso de una emergencia.

Cocción indirecta

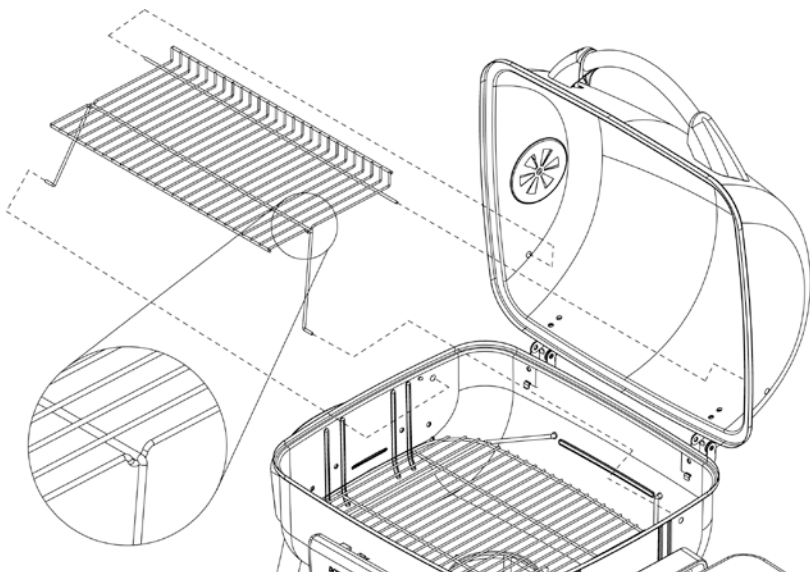
En este proceso la cocción no se hace directamente sobre las briquetas encendidas. Es ideal para cocer alimentos de lento cocimiento que requieren más de 25 minutos, tales como: asados, lomos, chuletas, pollos enteros, pavos, pescado y alimentos horneados.

1. Abra la tapa y remueva la parrilla de cocción.
2. Coloque las briquetas de carbón de leña y enciéndalas de acuerdo con las instrucciones del fabricante del carbón de leña. Deje la tapa abierta.

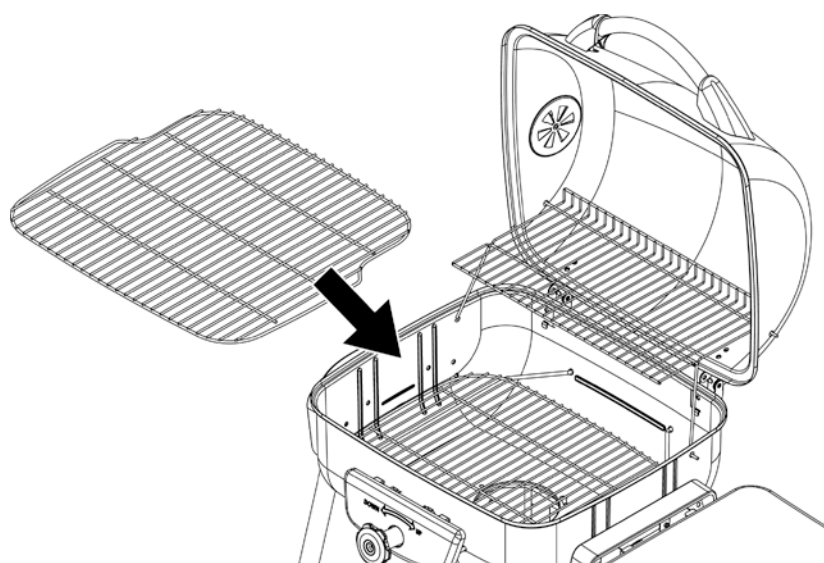
13 Fije la tapa



14 Coloque la rejilla de calentamiento



Coloque la parrilla de cocción





Instrucciones de operación (continuación)

3. Usando guantes de protección, cuidadosamente extienda las briquetas calientes en forma pareja a lo largo de la parrilla, usando un utensilio de mango largo.
4. Usando guantes de protección, vuelva a colocar la parrilla de cocción, cierre la tapa y deje que la parrilla se caliente antes de cocer los alimentos.
5. Use guantes de protección y abra la tapa. Use un utensilio de mango largo para colocar los alimentos en las parrillas de cocción sobre las áreas que no tienen briquetas encendidas.
6. Con la tapa cerrada, haga la cocción de los alimentos hasta que la temperatura interna del alimento se haya alcanzado.

Nota: Si es necesario agregar briquetas, remueva los alimentos de la parrilla de cocción y usando guantes de protección remueva la parrilla de cocción y coloque briquetas adicionales sin revolver las ya encendidas. Cuidadosamente vuelva a colocar la parrilla y, luego, los alimentos.

7. Deje que el carbón de leña se extinga completamente antes de cerrar la tapa y todos los orificios de ventilación. NO vierta agua sobre los carbones calientes, excepto en caso de una emergencia.

Para mayores sugerencias sobre cocción indirecta, por favor consulte la sección "Sugerencias para una mejor preparación de los alimentos y una vida útil más larga de la parrilla".

Control de las llamaradas

- ▲ **Precaución: No use agua en una llamarada de grasa. Esto puede ocasionar el salpique de la grasa y causar serias quemaduras, lesiones personales y otros daños.**
- ▲ **Precaución: No deje la parrilla desatendida cuando esté calentando o quemando residuos de comida. Si la grasa no se ha limpiado en forma regular, se puede ocasionar una llamarada de grasa que dañe la parrilla.**
- ▲ **ADVERTENCIA: Cuando esté usando la parrilla, debe tener fácilmente a su alcance materiales para extinguir el fuego. En caso de una llamarada de aceite o de grasa, no trate de extinguirla con agua. Use un extinguidor de incendio de sustancias químicas secas, tipo BC, o asfíxiele el fuego con tierra, arena o soda de hornear.**

La llamarada es parte de la cocción de carne en una parrilla y le da al asado un sabor único.

Pero las llamaradas excesivas pueden cocer demasiado los alimentos y constituyen una situación peligrosa para usted y su parrilla.

Las llamaradas excesivas resultan de la acumulación de grasa en el fondo de la parrilla.

Si ocurren llamaradas excesivas, NO arroje agua sobre las llamas.

Si se presenta una llamarada de grasa, cierre la tapa de la parrilla hasta que toda la grasa se haya quemado. Cuando abra la tapa, tenga cuidado, pues repentinamente puede presentarse otra llamarada.

Haga mínimas las llamaradas:

1. Remueva el exceso de grasa de la carne antes de cocerla.
2. Cuando cueza carnes de alto contenido de grasa, parrilla a fuego indirecto.
3. Verifique que la parrilla ha quedado colocada sobre una superficie no combustible, nivelada y firme.

Sugerencias para una mejor preparación de los alimentos y una vida útil más larga de la parrilla

1. Para obtener excelentes recetas y sugerencias, visite recipes.uniflame.com.
2. Para reducir el encendido de la grasa, mantenga la parrilla limpia, use cortes de carne sin grasa (o remueva el exceso de grasa) y evita cocerla a temperaturas demasiado altas.
3. Coloque alimentos delicados tales como pescado y legumbres en bolsas de papel de aluminio y coloque las bolsas en el nivel superior de cocción (rejilla de calentamiento).
4. Para evitar la pérdida de jugos naturales, use tenacillas de mango largo o espátulas, en lugar de tenedores, y voltee el alimento solamente una vez durante el proceso de cocción.
5. Cuando por cocción indirecta prepare asados y porciones grandes de carne, coloque la carne en una parrilla de asar dentro de una olla de metal grueso. Coloque la olla sobre las briquetas de carbón de leña no encendidas.
6. Ensaye el uso de ollas con agua para reducir la combustión de grasa y cocer carnes muy jugosas. Antes de encender la unidad remueva las parrillas de cocción y coloque una olla panda, para trabajo pesado, directamente sobre la rejilla de carbón de leña. Llene la olla hasta la mitad con agua, jugos de fruta u otros líquidos para dar sabor. Coloque carbones encendidos alrededor de la rejilla. Vuelva a colocar las parrillas de cocción y ponga los alimentos en la parrilla, arriba de la olla con agua.
7. Realce el sabor de los alimentos usando astillas de madera en cajas metálicas para humear o bolsas de papel de aluminio. Siga las instrucciones del fabricante de las astillas de madera para esta operación.
8. Las canastas de asar, asadores, sostenes verticales para la carne de ave y otros accesorios pueden hacer más agradable su experiencia, reducir el tiempo de cocción y facilitar la labor de limpieza.
9. Limpie las parrillas de cocción y las rejillas después de cada uso con un cepillo de calidad diseñado para el material de su parrilla. Use guantes de protección y remueva con cuidado la acumulación de residuos en las parrillas mientras éstas están todavía calientes.
10. Después de cada uso deje que la parrilla se enfríe. Luego proteja las parrillas de cocción ya limpias con una ligera capa de aceite de cocina, vacíe la taza para la ceniza, limpie las superficies exteriores con un limpiador de cocina apropiado y proteja las superficies con una cubierta de calidad que se acomode apropiadamente su unidad.
11. Vea programas de televisión relacionados con la cocción de asados a la parrilla o compre libros de cocina relacionados con este tema para obtener interesantes sugerencias.

Limpieza y cuidado

- ▲ **Precaución: Todas las operaciones de limpieza y mantenimiento deben realizarse con la parrilla fría (aprox. 45 minutos) y con la materia combustible removida.**
- ▲ **Precaución: NO limpie ninguna pieza de esta parrilla en un horno de limpieza automática. El calor extremo dañará el terminado.**

Avisos

1. No use productos de limpieza abrasivos pues dañarán este aparato.
2. No utilice nunca productos limpiahornos para limpiar cualquier pieza de la parrilla.

Limpieza de las superficies

1. Limpie las superficies con un detergente suave de lavado de platos o con soda de hornear.
2. En superficies de limpieza difícil, use un desengrasador a base de cítricos y un cepillo de nylon.
3. Enjuague las superficies con agua limpia.

Sugerencias:

1. Para evitar la herrumbre, mantenga la parrilla cubierta cuando no esté usándola.
2. Aplique una ligera capa de aceite vegetal o rocíe la superficie interior de la parrilla con aceite vegetal para evitar la herrumbre. No aplique el preventivo a la rejilla de carbón de leña o al receptor de la ceniza.

Registro del producto

Para beneficiar del servicio de garantía más rápidamente, sírvase registrar su unidad inmediatamente visitando nuestro sitio Internet www.bluerhino.com o llamando al 1.800.762.1142.

Garantía limitada

Blue Rhino Sourcing, Inc ("el fabricante") garantiza al comprador original, al detal, de este producto, y a ninguna otra persona, que si la unidad se arma y opera de acuerdo con las instrucciones impresas que la acompañan y por un período de un (1) año a partir de la fecha de compra, todas las piezas de este producto estarán libres de defectos en material y mano de obra. El fabricante podrá requerir prueba razonable de la fecha de compra. Por lo tanto, usted debe conservar el recibo de venta o la factura. Esta garantía limitada estará limitada a la reparación o reemplazo de las piezas que resulten defectuosas en condiciones de servicio y uso normal y las que un examen indique, a satisfacción del fabricante, que están defectuosas. Antes de devolver cualquier pieza, comuníquese con el Departamento de Servicio al Cliente (Customer Service Department) del fabricante. Si el fabricante confirma el defecto y aprueba el reclamo, el fabricante decidirá reemplazar tales partes sin costo alguno. Si se le pide que devuelva las partes defectuosas, los costos de transporte deberán ser prepagados. El fabricante devolverá las partes al cliente con costo de transporte o envío prepagados.

Esta garantía limitada no cubre fallas o dificultades de operación debidas a accidente, abuso, mal uso, alteración, empleo en usos inapropiados, instalación defectuosa o mantenimiento o servicio inapropiado o falla en la realización de mantenimiento normal y rutinario como se prescribe en este manual del usuario.

Además, la garantía limitada no cubre daños al terminado de la unidad, tales como rasguños, abolladuras, descoloridos, oxidaciones y otros daños causados por la intemperie después de la compra de la unidad.

Esta garantía limitada reemplaza cualquier otra garantía. El fabricante no asume ninguna responsabilidad por garantías de productos vendidos por quienes no sean distribuidores o vendedores al detal autorizados. Esta exención de responsabilidad incluye cualquier garantía de comerciabilidad o la garantía de aptitud para un propósito en particular. EL FABRICANTE NO SE HACE RESPONSABLE POR NINGUNA GARANTIA IMPLICITA INCLUYENDO, SIN LIMITACIONES, LAS GARANTIAS IMPLICITAS DE COMERCIALIZACION Y ADAPTABILIDAD A UN PROPOSITO PARTICULAR. EL FABRICANTE NO ASUME RESPONSABILIDAD ANTE EL COMPRADOR O ANTE CUALQUIER TERCERA PERSONA POR DAÑOS ESPECIALES, INDIRECTOS, PUNITIVOS, INCIDENTALES O CONSECUENCIALES. El fabricante, además, no asume responsabilidad por garantías implícitas o expresas por defectos de mano de obra causados por terceras personas.

Esta garantía limitada le da al comprador derechos legales específicos y el comprador puede tener otros derechos según el lugar donde el comprador o la compradora residan. Ciertas jurisdicciones no permiten limitaciones en cuanto a la duración de una garantía implícita, de manera que esta limitación puede no ser aplicable a usted.

El fabricante no autoriza a ninguna persona o compañía para asumir por el fabricante cualquier otra obligación o responsabilidad relacionada con la venta, instalación, uso, remoción, devolución o reemplazo de este equipo y cualquier representación de esta naturaleza no obliga al fabricante.

Blue Rhino Sourcing, Inc
Winston-Salem, North Carolina 27104, EE.UU.
(800)-762-1142

Free Manuals Download Website

<http://myh66.com>

<http://usermanuals.us>

<http://www.somanuals.com>

<http://www.4manuals.cc>

<http://www.manual-lib.com>

<http://www.404manual.com>

<http://www.luxmanual.com>

<http://aubethermostatmanual.com>

Golf course search by state

<http://golfingnear.com>

Email search by domain

<http://emailbydomain.com>

Auto manuals search

<http://auto.somanuals.com>

TV manuals search

<http://tv.somanuals.com>