

BLODGETT® **BLODGETT**® **BLODGETT**® **BLODGETT**®

BLODGETT® **BLODGETT**® **BLODGETT**®

BLODGETT® **BLODGETT**® **BLODGETT**® **BLODGETT**®

BLODGETT **COMBI**®

**BCX-14G, BCX-14E, BX-14G, BX-14E,
CNVX-14G and CNVX-14E**

INSTALLATION – OPERATION – MAINTENANCE

**BCX-14G, BCX-14E, BX-14G, BX-14E,
CNVX-14G et CNVX-14E**

MANUEL D'INSTALLATION – FONCTIONNEMENT – ENTRETIEN



BLODGETT COMBI

www.blodgett.com

44 Lakeside Avenue, Burlington, Vermont 05401 USA Telephone (800) 331-5842, (802) 860-3700 Fax: (802)864-0183

PN 39678 Rev C (4/07)

© 2007 – G.S. Blodgett Corporation

Download from Www.Somanuals.com. All Manuals Search And Download.

**A PERSONAL WORD FROM BLODGETT COMBI
QUELQUES MOTS DE BLODGETT COMBI**

Congratulations on your purchase of a BLODGETT Combi appliance. We firmly believe that your choice has been a wise one, and trust you will receive many years of excellent service from your new Combi.

You will find that cooking with Combi appliances saves time, labor and extensive cleaning of both the kitchen and the unit.

With Combi appliances the quality, taste, consistency, and look of your food are improved, thus endorsing the policy to which we've always adhered: "For Better Cooking!"

Once you've had a chance to use your Combi, please tell us, your dealer and colleagues about any creative and interesting applications you have discovered; exchange ideas with other users. Be sure to advise us or your dealer immediately should any mechanical or technical problems be encountered (...we're here to help!) and above all "Enjoy Cooking the BLODGETT Combi Way!"

For information on cooking, please refer to our separate cooking guide.

Toutes nos félicitations sur votre achat d'appareil de Blodgett Combi. Nous croyons fermement que votre choix est un choix raisonnable et nous sommes certains que vous obtiendrez de nombreuses années d'excellent service de votre nouveau four multi-usages.

Vous allez découvrir que la cuisson dans les appareils Combi économise le temps, le travail et le degré de nettoyage de l'appareil aussi bien que de la cuisine.

Avec les appareil de Combi, la qualité, le goût, la consistance et l'apparence des aliments sont améliorés, s'accordant, de ce fait, avec notre politique "Pour une meilleure cuisson !"

Une fois que vous aurez eu la chance d'utiliser notre Combi, informez nous, votre concessionnaire et vos collègues, de toutes les applications nouvelles et intéressantes que vous avez découvertes ; échangez vos idées avec d'autres utilisateurs. N'hésitez pas à nous prévenir, ou votre concessionnaire, de tout problème mécanique ou technique que vous pourriez rencontrer (... nous sommes ici pour vous aider) et par-dessus tout "Régalez-vous à cuisiner à la façon BLODGETT Combi!"

Pour obtenir de plus amples informations sur l'art culinaire, veuillez consulter notre livre de cuisine séparé.

BLODGETT COMBI®

IMPORTANT

WARNING: IMPROPER INSTALLATION, ADJUSTMENT, ALTERATION, SERVICE OR MAINTENANCE CAN CAUSE PROPERTY DAMAGE, INJURY OR DEATH. READ THE INSTALLATION, OPERATING AND MAINTENANCE INSTRUCTIONS THOROUGHLY BEFORE INSTALLING OR SERVICING THIS EQUIPMENT

AVERTISSEMENT: UNE INSTALLATION, UN AJUSTEMENT, UNE ALTÉRATION, UN SERVICE OU UN ENTRETIEN NON CONFORME AUX NORMES PEUT CAUSER DES DOMMAGES À LA PROPRIÉTÉ, DES BLESSURES OU LA MORT. LISEZ ATTENTIVEMENT LES DIRECTIVES D'INSTALLATION, D'OPÉRATION ET D'ENTRETIEN AVANT DE FAIRE L'INSTALLATION OU L'ENTRETIEN DE CET ÉQUIPEMENT.

INSTRUCTIONS TO BE FOLLOWED IN THE EVENT THE USER SMELLS GAS MUST BE POSTED IN A PROMINENT LOCATION. THIS INFORMATION MAY BE OBTAINED BY CONTACTING YOUR LOCAL GAS SUPPLIER.

LES INSTRUCTIONS À RESPECTER AU CAS OÙ L'UTILISATEUR PERÇOIT UNE ODEUR DE GAZ DOIVENT ÊTRE AFFICHÉES DANS UN ENDROIT BIEN VISIBLE. VOUS POUVEZ VOUS LES PROCURER AUPRÈS DE VOTRE FOURNISSEUR DE GAZ LOCAL.

FOR YOUR SAFETY

Do not store or use gasoline or other flammable vapors or liquids in the vicinity of this or any other appliance.

AVERTISSEMENT

Ne pas entreposer ni utiliser de l'essence ni d'autres vapeurs ou liquides inflammables dans le voisinage de cet appareil, ni de tout autre appareil.

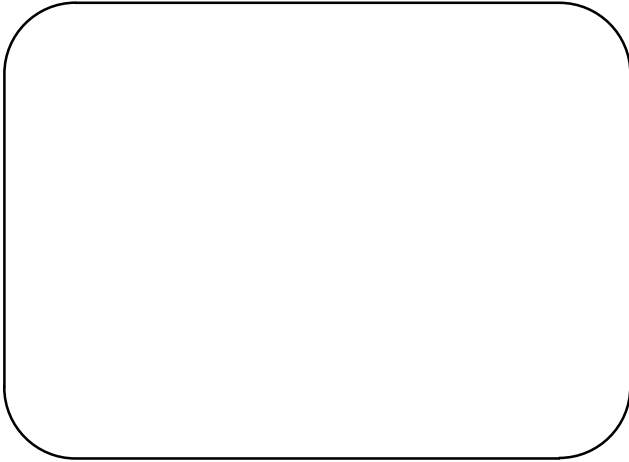
The information contained in this manual is important for the proper installation, use, and maintenance of this oven. Adherence to these procedures and instructions will result in satisfactory baking results and long, trouble free service. Please read this manual carefully and retain it for future reference.

Les informations données dans le présent manuel sont importantes pour installer, utiliser et entretenir correctement ce four. Le respect de ces instructions et procédures permettra d'obtenir de bons résultats de cuisson et une longue durée de service sans problèmes. Veuillez lire le présent manuel et le conserver pour pouvoir vous y reporter à l'avenir.

Errors: Descriptive, typographic or pictorial errors are subject to correction. Specifications are subject to change without notice.

Erreurs: Les erreurs de description, de typographie ou d'illustration font l'objet de corrections. Les caractéristiques sont sujettes à modifications sans préavis.

Your Service Agency's Address:
Adresse de votre agence de service:



Model/Modèle:

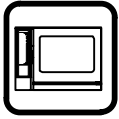
Serial Number/Numéro de série:

Your appliance was installed by/
Installateur de votre four:

Your oven's installation was checked by/
Contrôleur de l'installation de votre four:

Table of Contents/ Table des Matières

<p>Introduction</p> <p>The Blodgett Combi-Oven/Steamer 2</p> <p>Description of the Combi-Oven/Steamer . 3</p> <p>Oven Features 4</p> <p>Installation</p> <p>Agency Approvals 5</p> <p>Owner's Responsibilities 6</p> <p>Oven Location and Ventilation 8</p> <p>Leg Attachment 9</p> <p>Caster Attachment 10</p> <p>Stacking 11</p> <p>Plumbing Connections 13</p> <p>Electrical Connections 14</p> <p>Gas Connections 15</p> <p>Gas Hose Restraint 17</p> <p>Adjustments 18</p> <p>Final Check Lists 19</p> <p>Operation</p> <p>Safety Information for Gas Units 20</p> <p>Power Switches 21</p> <p>Standard Controls for Models BCX-14 and BX-14 22</p> <p>Standard Controls for Models CNVX-14 . . 25</p> <p>Maintenance</p> <p>Spray Bottle Operating Procedure 27</p> <p>Cleaning and Preventive Maintenance . . . 28</p> <p>Deliming (BCX-14 units only) 30</p> <p>Communication (BCX-14 and BX-14 units only) 33</p>	<p>Introduction</p> <p>Le four-éleveur Combi de Blodgett 36</p> <p>Description du four-éleveur Combi 37</p> <p>Fonctionnalités du four 38</p> <p>Installation</p> <p>Certifications 39</p> <p>Responsabilités du propriétaire 40</p> <p>Emplacement du four et mise de niveau et Ventilation 42</p> <p>Montage des pieds 43</p> <p>Accessoire des roulettes 44</p> <p>Superposition 45</p> <p>Raccordement du système de détartrage Unités BCX-14 seulement 46</p> <p>Raccordement de la plomberie 47</p> <p>Raccordement à l'électricité 48</p> <p>Raccordement au gaz 49</p> <p>Câble d'immobilisation du tuyau à gaz . . 51</p> <p>Ajustements 52</p> <p>Liste de vérification finale 53</p> <p>Fonctionnement</p> <p>Renseignements sur la sécurité des appareils au gaz 55</p> <p>Interrupteurs généraux 56</p> <p>Commandes standard for Model BCX-14 and BX-14 57</p> <p>Commandes standard pour les modèles CNVX-14 60</p> <p>Entretien</p> <p>Procédure de fonctionnement du pulvérisateur 62</p> <p>Nettoyage et entretien préventif 63</p> <p>Détartrage (Unités BCX-14 seulement) . . 66</p> <p>Communications (Unités BCX-14 et BX-14 seulement) 69</p>
--	--



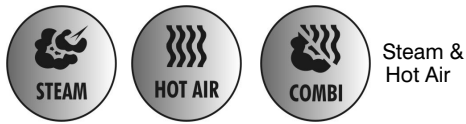
Introduction

The Blodgett Combi-Oven/Steamer

The Blodgett Combi-Oven/Steamer offers a completely new method of cooking. With the Oven/Steamer you have the choice of **two cooking processes**: **Steam** and **Hot Air**, either...

- **Separately**
- **Combined, or**
- **In Sequence**

And for easy operation you can choose from three modes:



In the **Steam** mode you can:

steam	reheat	reconstitute
stew	thaw	simmer
blanch	preserve	braise
poach		

In the **Hot Air** mode you can:

roast	bake
grill	gratinate
broil	

In the **Combination Steam and Hot Air** mode you can:

defrost	roast	rethermalize
reheat	bake	forced steaming

NOTE: CNVX models only operate in hot air mode.

You can also use two or three functions in sequence during one cooking process. We call this:

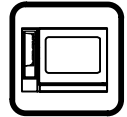
- combi-steaming
- combi-roasting
- combi-baking

The combination of circulating hot air and steam in the space saving, high performance Combi-Oven/Steamer leads to improvements in the following areas:

- increased productivity in the kitchen
- a reduction in capital expenditures for multiple equipment replacement
- a wider range of menu choices
- a simplified cleaning process

The work process is simplified since products are prepared on or in steam table pans and trays. Food can be cooked, stored, and transported with the same pans. Small amounts of product can be processed efficiently; pre-cooked and convenience foods can be reheated within minutes. Many frozen foods can be processed without pre-thawing. This flexibility in preparation reduces the need for kettles and steam tables since there is no need for large amounts of food to be kept warm for long periods of time.

Today the improvement of food quality is more important than ever. Vegetables are cooked in the Blodgett Combi-Oven/Steamer without water at the optimal temperature of just under 100°C (212°F), maintaining valuable vitamins, minerals, nutrients and trace elements. Cooking meat in the Combi results in less shrinkage and a firmer, juicier product. The Blodgett Combi-Oven/Steamer is being used more and more for baking. Steam and Hot Air modes make it a general purpose baking appliance.



Description of the Combi-Oven/Steamer

ABOUT THE OVEN/STEAMER

Blodgett Combi-Oven/Steamers are quality produced using high-grade stainless steel with first class workmanship.

The multiple speed fan, which is guarded against accidental finger contact, is driven by a quiet and powerful motor. The condenser draws out excess steam from the appliance. Condensation and waste water, which result during steaming and cleaning, are continuously drained.

The use of high quality insulation impedes excessive heat radiation and saves energy.

The Oven/Steamer has optional adjustable legs which adapt easily to slightly uneven surfaces and optional floor stands which are designed for use with all of the table models.

The high performance fresh steam generator with its control system makes it possible to enjoy all of the advantages of a high quality steamer at the flick of a switch. Fresh steam enters the oven cavity without pressure and is circulated at high speed. This process enables quick and gentle cooking and ensures high quality food while providing convenient working methods. The steam generator is completely automatic and protected from running dry.

OVEN/STEAMER OPERATION

The practical oven door, with a viewing window, has a wide swing radius and handle which can be operated easily, even with wet or greasy hands.

Ease of operation is guaranteed through the simple arrangement of the controls. Graphic symbols make the appliance easy for even inexperienced kitchen staff to operate. The Steam On Demand feature allows the operator to add steam at any time while operating in either the Hot Air or Combi modes. This feature is excellent for baking as well as roasting operations. A fourth function, the Cool Down mode, allows the oven cavity to cool down rapidly with the door opened.

Cleaning is kept to a minimum. The interior is sprayed with a self-acting cleaning solution which interacts with steam to easily remove crusts and stains. The oven is designed for easy care and is welded water tight so that the internal cooking cavity may be rinsed with a hose after the steam cleaning process.



Introduction

Oven Features

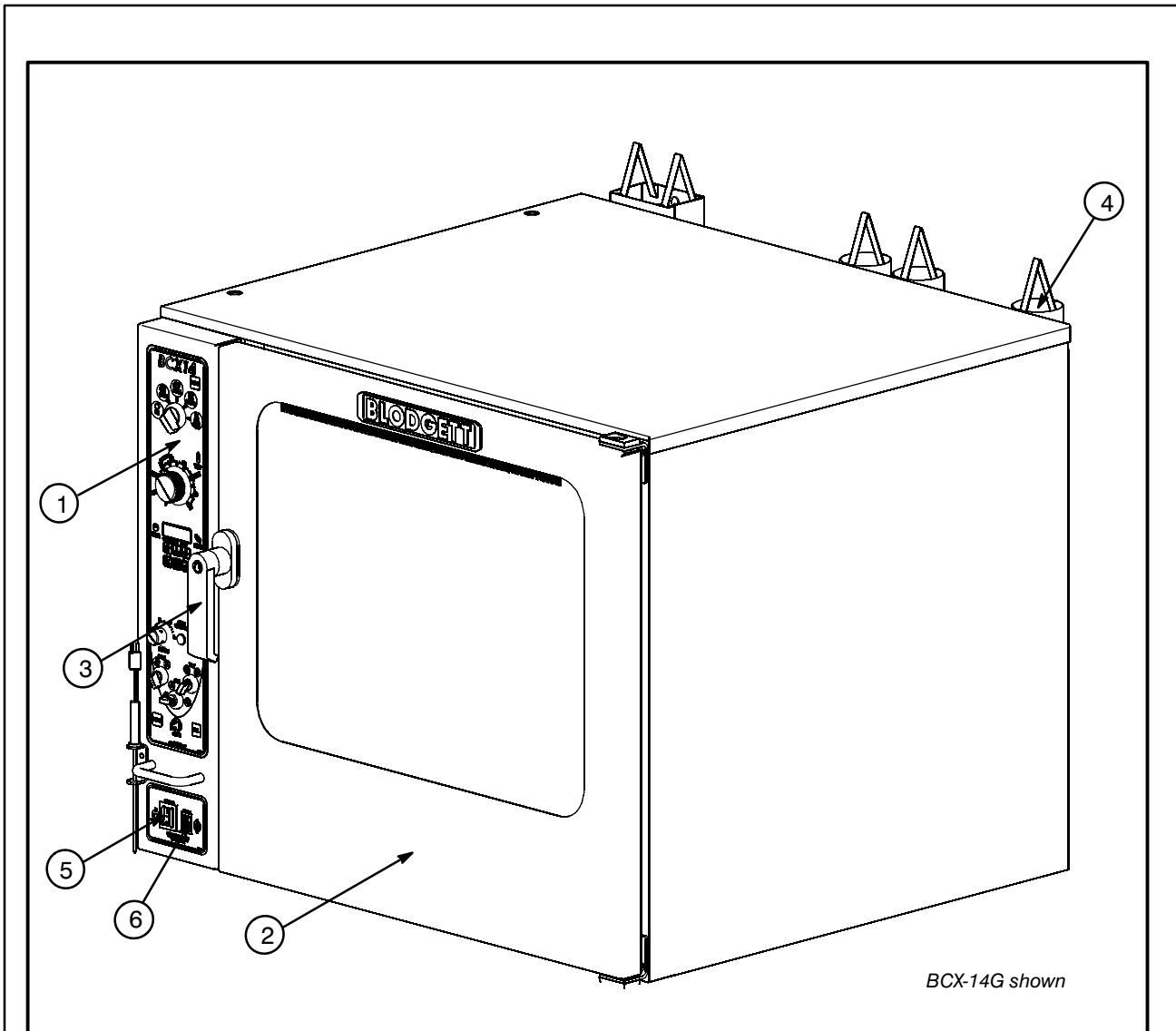


Figure 1

- | | | | |
|---|---------------|---|-----------------|
| 1 | Control Panel | 4 | Steam Vent |
| 2 | Oven Door | 5 | Circuit Breaker |
| 3 | Door Handle | 6 | Heat Cutoff |



THE INSTALLATION INSTRUCTIONS CONTAINED HEREIN ARE FOR THE USE OF QUALIFIED INSTALLATION AND SERVICE PERSONNEL ONLY. INSTALLATION OR SERVICE BY OTHER THAN QUALIFIED PERSONNEL MAY RESULT IN DAMAGE TO THE OVEN AND/OR INJURY TO THE OPERATOR.

Qualified installation personnel are individuals, a firm, a corporation, or a company which either in person or through a representative are engaged in, and are responsible for:

- The installation or replacement of gas piping. The connection, installation, repair or servicing of equipment.
- The installation of electrical wiring from the electric meter, main control box or service outlet to the electric appliance.

Qualified installation personnel must be experienced in such work, be familiar with all precautions required and have complied with all requirements of state or local authorities having jurisdiction.

U.S. and Canadian Installations

Installation must conform with local codes, or in the absence of local codes, with the *National Fuel Gas Code, NFPA54/ANSI Z223.1—Latest Edition*, the *Natural Gas Installation Code CAN/CGA-B149.1* or the *Propane Installation Code, CAN/CGA-B149.2* as applicable.

Reference: *National Electrical Code, ANSI/NFPA 70—Latest Edition* and/or *Canadian Electrical Code CSA C22.1* as applicable.

This equipment is to be installed in compliance with the *Basic Plumbing Code of the Building Officials and Code Administrators International Inc. (BOCA)* and the *Food Service Sanitation Manual of the Food and Drug Administration (FDA)*.

General Export Installations

Installation must conform with Local and National installation standards. Local installation codes and/or requirements may vary. If you have any questions regarding the proper installation and/or operation of your appliance, please contact your local distributor. If you do not have a local distributor, please call Blodgett Combi at 0011-802-860-3700.





Installation

Owner's Responsibilities

Installation responsibilities prior to service startup inspection

You are entitled to a free start-up inspection service by our factory ASAP. Before a factory representative arrives to perform a startup procedure, the owner must already have satisfied the following requirements.

- Oven(s) are uncrated, stacked (if applies) and put in place.

NOTE: Please refer to Leg Attachment and Stacking.

Maximum shelf loading – 60 lbs (27.3 Kg)

PLUMBING SPECIFICATIONS		
	BCX-14G/AA, BCX-14E/AA BX-14G/AA, and BX-14E/AA	CNVX-14G/AA CNVX-14E/AA
WATER		
Water Pressure	30 PSI (207 kPa) minimum 50 PSI (345 kPa) maximum	
Water Connection	3/4" garden hose – Hot and Cold water	3/4" garden hose for spray hose – Cold water only
Water Pressure Regulator Setting	Preset to 30 PSI (207 kPa)	
Minimum Requirements	TDS – less than 100 parts per million Total Hardness – 80-120 parts per million Chlorides – less than 30 parts per million pH Factor – 7.0-8.0	
DRAINAGE		
Drain Type	Atmospheric Vented Drain	
Drain Connection	2.00" (50.8mm) Copper	
Avg Water Drain Temp.	Approximately 140°F (60°C)	



Owner's Responsibilities

RATINGS – GAS APPLIANCES					
Gas Type	Gas Input	Voltage	Phase	Amps	Motor
BCX-14G/AA					
Natural	Steam – 50,000 BTU/Hr Hot Air – 65,000 BTU/Hr Total – 115,000 BTU/Hr	120	1	20	3/4HP 208-240VAC, 3 phase, 50/60 Hz
Propane	Steam – 48,000 BTU/Hr Hot Air – 65,000 BTU/Hr Total – 113,000 BTU/Hr	120	1	20	3/4HP 208-240VAC, 3 phase, 50/60 Hz
3/4" NPT connector for all U.S. and Canadian installations					
BX-14G/AA and CNVX-14G/AA					
Natural	Hot Air – 65,000 BTU/Hr	120	1	20	3/4HP 208-240VAC, 3 phase, 50/60 Hz
Propane	Hot Air – 65,000 BTU/Hr	120	1	20	3/4HP 208-240VAC, 3 phase, 50/60 Hz
3/4" NPT connector for all U.S. and Canadian installations					

RATINGS – ELECTRIC APPLIANCES BCX-14E/AA, BX-14E/AA and CNVX-14E/AA						
Voltage	Hz	Phase	Max Load (amps)			Motor
			L1	L2	L3	
208	60	3	53	53	50	3/4 HP 208-240VAC, 50/60 Hz
240	60	3	46	46	43	3/4 HP 208-240VAC, 50/60 Hz
480	60	3	23	23	21	3/4 HP 208-240VAC, 50/60 Hz
415	50	3	26.5	26.5	24.1	3/4 HP 208-240VAC, 50/60 Hz



Installation

Oven Location and Ventilation

OVEN LOCATION

The well planned and proper placement of your oven will result in long term operator convenience and satisfactory performance.

Certain minimum clearances must be maintained between the oven and any combustible or non-combustible construction. See the table below.

In addition, the following clearances are recommended for servicing.

- Oven body sides – 12” (30cm)
- Oven body back – 12” (30cm)

NOTE: On gas models, routine servicing can usually be accomplished within the limited movement provided by the gas hose restraint. If the oven needs to be moved further from the wall, the gas must first be turned off and disconnected from the oven before removing the restraint. Reconnect the restraint after the oven has been returned to its normal position.

Left Side Heat Shield

Heat sources should not be near the air vents located on the left hand side of the gas appliance.

Oven Model	MINIMUM REQUIRED CLEARANCES		
	Right Side	Left Side	Back
BCX-14G BX-14G CNVX-14G	6” (152.4mm)	0” (0mm)	6” (152.4mm)
BCX-14E BX-14E CNVX-14E	0” (0mm)	0” (0mm)	6” (152.4mm)

VENTILATION

The necessity for a properly designed and installed ventilation system cannot be over emphasized. The ventilation system will allow the unit to function properly while removing unwanted vapors and products of combustion from the operating area.

The appliance must be vented with a properly designed mechanically driven exhaust hood. The hood should be sized to completely cover the equipment plus an overhang of at least 6” (15 cm) on all sides not adjacent to a wall. The capacity of the hood should be sized appropriately and provisions made for adequate makeup air.



WARNING!!

Failure to properly vent the oven can be hazardous to the health of the operator; and will result in operational problems, unsatisfactory baking, and possible damage to the equipment. Damage sustained as a direct result of improper ventilation will not be covered by the Manufacturer’s warranty.

When installed in the Commonwealth of Massachusetts, this appliance must be interlocked with the hood exhaust system so that the appliance may be operated only when the hood exhaust system is running.

U.S. and Canadian Installations

Refer to your local ventilation codes. In the absence of local codes, refer to the National ventilation code titled, “Standard for the Installation of Equipment for the Removal of Smoke and Grease Laden Vapors from Commercial Cooking Equipment”, NFPA-96- Latest Edition.

General Export Installations

Installation must conform with Local and National installation standards. Local installation codes and/or requirements may vary. If you have any questions regarding the proper installation and/or operation of your unit, please contact your local distributor. If you do not have a local distributor, please call Blodgett Combi at 0011-802-860-3700.



Leg Attachment

LEG OPTIONS

Legs are available in 4" (101mm), 6" (152mm) or 25" (635mm) lengths or low profile casters.

- The 4" (101mm) legs may be used when mounting on a counter.
- The 6" (152.4mm) legs are used on the lower section of a double stacked appliance.
- The 25" (635mm) legs are used for a single appliance located on the floor.

NOTE: For safety reasons, casters must not be used with the 25" (635mm) legs.

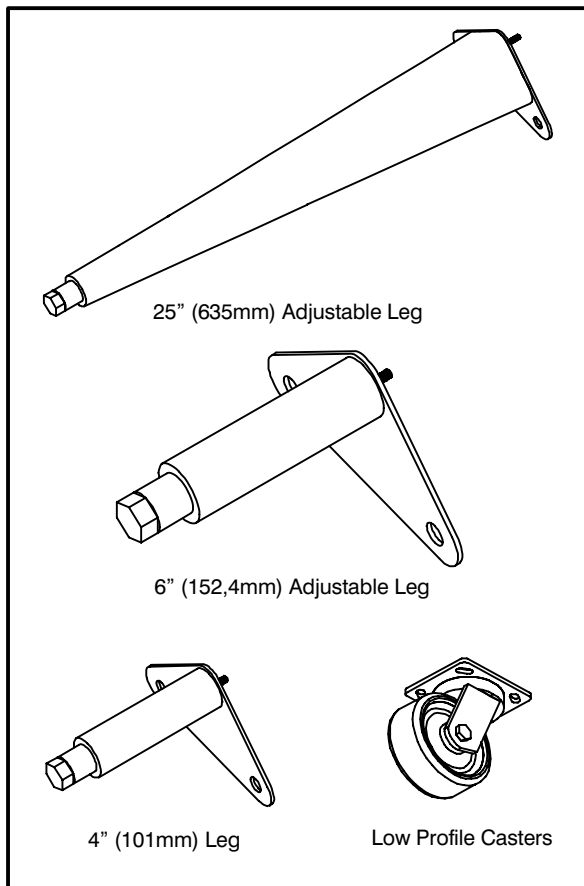


Figure 2

ATTACHMENT

1. Align the threaded stud on one of the front legs to the bolt hole located in the bottom corner of the appliance. Turn the leg clockwise and tighten to the nearest full turn.
2. Align the leg plate holes with the bolt holes. Secure with the two 1/2" bolts provided.
3. Repeat the above steps with the other front leg. *If low profile casters are used, install them with the locking casters in the front of the oven. The rear casters do not lock. **Ensure that the locks are set on the front casters.***
4. Tip the oven up on the newly installed front legs. *If casters are used, check that the locks are set on the front casters.* Repeat the above steps for the rear legs.
5. Level the oven by screwing the adjustable feet in or out as necessary.

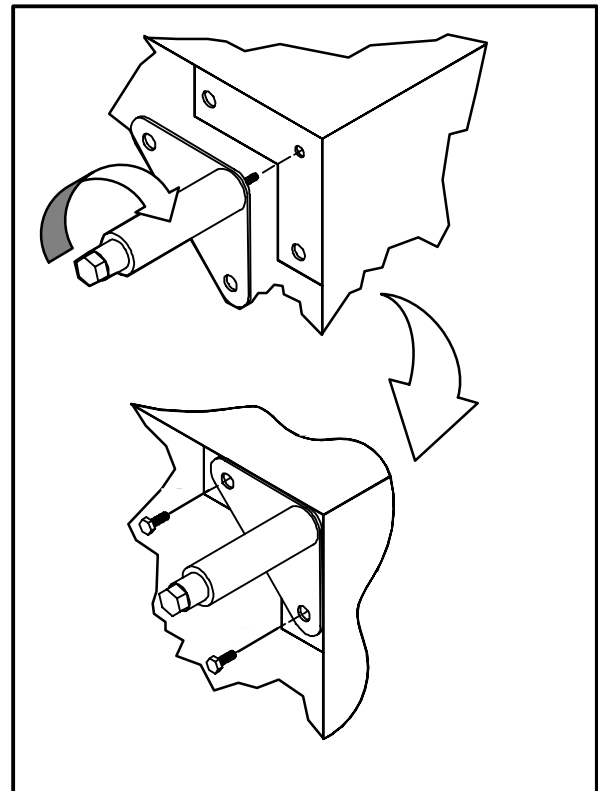


Figure 3



Installation

Caster Attachment

1. Place a level on the floor where the casters are to rest.
2. Place shims under the low side until it is level.
3. Mount the shims between the casters and the oven as follows:
 - a.) Align the shims and caster holes with the bolt holes.
 - b.) Secure with the 1/2" bolts provided.

NOTE: *Install them with the locking casters in the front of the oven. The rear casters do not lock. **Ensure that the locks are set on the front casters.***

4. Tip the oven up on the newly installed casters.

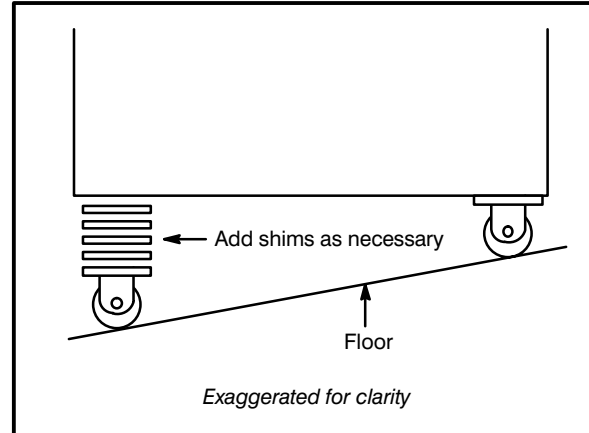


Figure 4



WARNING!!

Stacking should be performed by qualified installation personnel only. The ovens are heavy. Take care to use proper tools and techniques when lifting and stacking units.

1. Attach the legs or casters to the bottom oven. See page 9 or 10.
2. Place the top oven on the bottom oven. Be sure all four sides are flush.
3. Remove left side oven panels.
4. Bolt the two ovens together from underneath into the two threaded nut retainers.
5. **GAS APPLIANCES ONLY:** Attach the flue vents and gas manifold as shown.

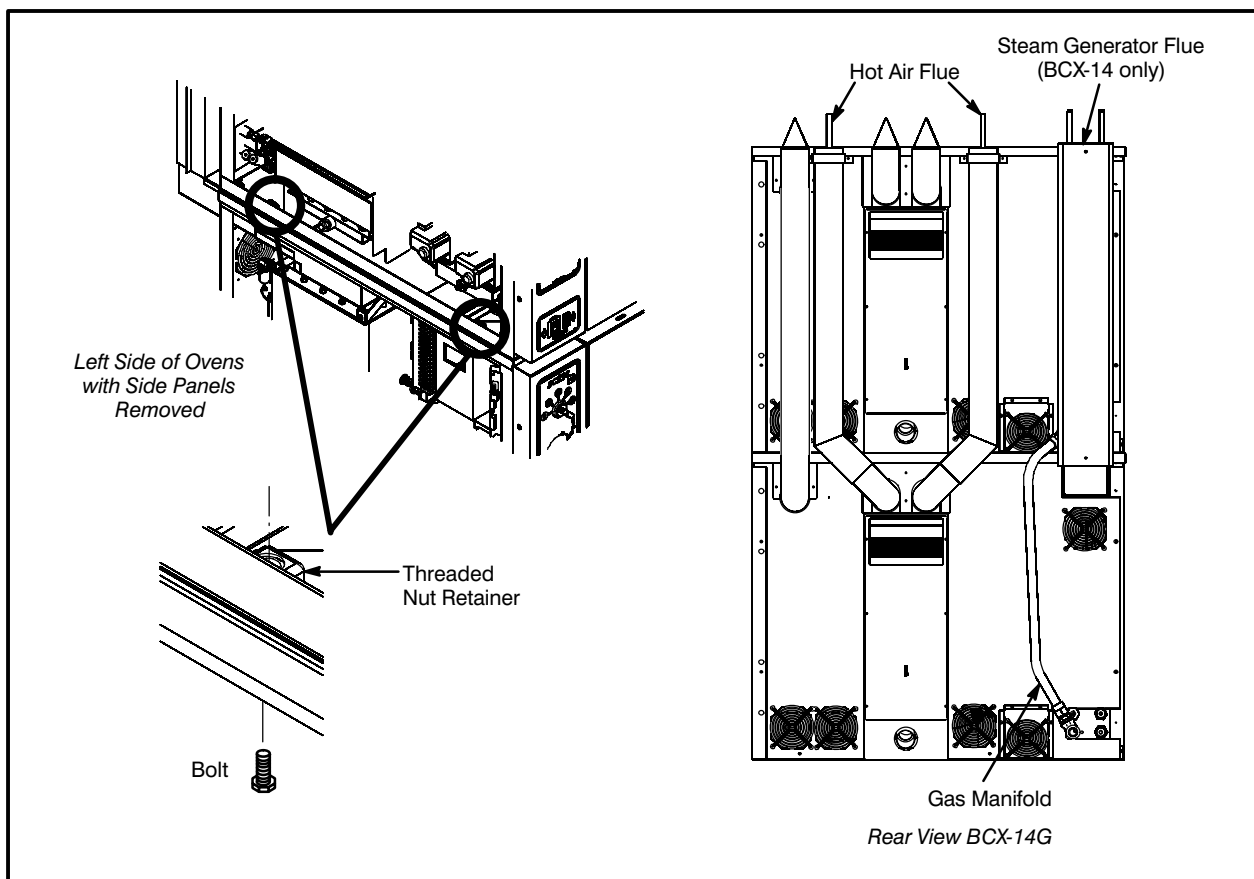


Figure 5



Installation

Deliming System Connection (BCX-14 units only)

1. Push deliming tube onto barbed fitting on oven back.



Figure 6

2. Cut deliming tube to length using the bottom of the delimiting fluid reservoir in its mounted position as a guide. Install the jug weight on the delimiting fluid reservoir end of the delimiting tube.



Figure 7

3. Insert the end of the delimiting tube with the jug weight into the delimiting solution reservoir.



Figure 8

4. Prime the pump by placing oven in COOL DOWN mode with the oven on and press and hold the STEAM ON DEMAND button. Watch for delimiting solution to flow through tube. This will tell you the pump is working correctly. Release the STEAM ON DEMAND button once delimiting solution has reached the oven back.

NOTE: If needed use supplied hose retainers and self drilling screws to route the delimiting tube away from hot exhaust ports.



Plumbing Connections

WATER CONNECTION

NOTE: Hot water maximizes steam production but is not required. Cold water may be supplied to both inlets if hot water is not available.

Connect the appliance to quality water via a pressure hose with 3/4" GHT (19mm) couplings. See Figure 9 for connections. A shut off valve is to be provided adjacent to the oven.

WARNING!!

Operating the appliance without the water regulator installed will invalidate your warranty.

This product must be installed by a licensed Plumber or Gas Fitter when installed within the Commonwealth of Massachusetts.

DRAIN CONNECTION

The drain should be run to an open floor drain avoiding flexible hose that could sag and allow

trapped water to accumulate. The customer must supply the piping from the oven to the drain.

Specific water/drain connection for City of Los Angeles

1. Each drain line from the appliance shall be routed without dips or sags to terminate above the flood level rim of an approved indirect waste receptor.
2. The appliance shall be installed in accordance with the manufacturer's printed instructions and the LAPC and LAMC, 1999 editions.
3. A backflow protection device may be required by local codes. If so, install on the potable water system directly ahead of the appliance. The backflow protection device shall be any of the following: an approved pressure type vacuum breaker installed at least 12" above the highest point of use, a double check valve backflow preventer or a reduced pressure principal backflow preventer.

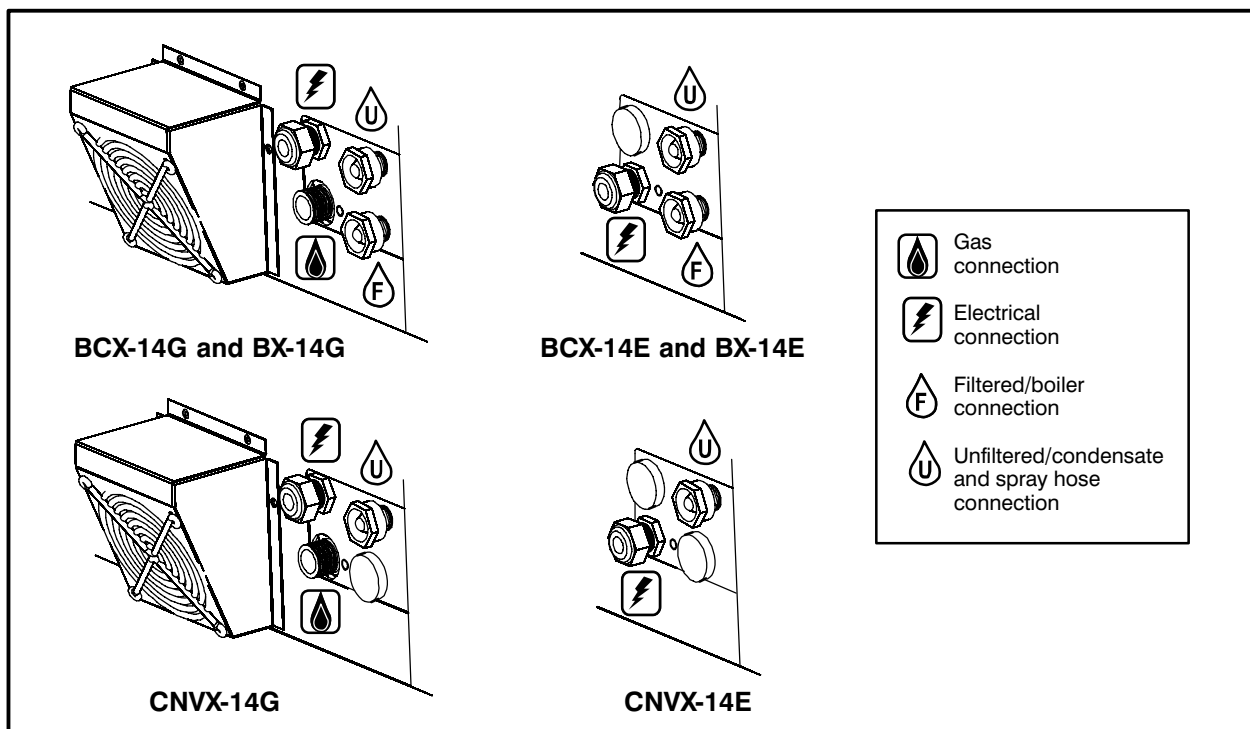


Figure 9



Installation

Electrical Connections

ELECTRICAL CONNECTION

All Models

NOTE: Electrical connections must be performed by a qualified installer only.

Before making any electrical connections to these appliances, check that the power supply is adequate for the voltage, amperage, and phase requirements stated on the rating name plate mounted on the appliance.

The circuit breaker that is used to provide power to this appliance must have a minimum of .076" (3mm) contact spacing. The circuit breaker must meet all Local and National installation standards.

All appliances must be installed in accordance with Local or National Electrical codes.

A wiring schematic is located on the inside of the removeable side panel.

NOTE: Disconnect the power supply to the appliance before servicing.



WARNING!!

Improper installation may invalidate your warranty.

Electric Models

A strain relief for the power supply cord is provided. The installer must supply a cord that meets all Local and National installation standards.

Gas Models

U.S. and Canadian Installations

A power cord (115V or 230V) is supplied with a plug attached. Plug the power cord into the desired receptacle.



WARNING!!

If the supply cord is damaged, it must be replaced by a special cord or assembly available from the manufacturer or its service agent.



Installation

Gas Connections

GAS PIPING

A properly sized gas supply system is essential for maximum oven performance. Piping should be sized to provide a supply of gas sufficient to meet the maximum demand of all appliances on the line without loss of pressure at the equipment.

Example:

NOTE: BTU values in the following example are for natural gas.

You purchase a BCX-14G to add to your existing cook line.

- Add the BTU rating of your current appliances.

Pitco Fryer	120,000 BTU
6 Burner Range	60,000 BTU
Deck Oven	<u>50,000 BTU</u>
Total	230,000 BTU
- Add the BTU rating of the new oven to the total.

Previous Total	230,000 BTU
BCX-14G	<u>115,000 BTU</u>
New Total	345,000 BTU
- Measure the distance from the gas meter to the cook line. This is the pipe length. Let's say the pipe length is 30' (9 m) and the pipe size is 1" (2.54 cm).
- Use the appropriate table to determine the total capacity of your current gas piping.

The total capacity for this example is 375,000 BTU. Since the total required gas pressure, 345,000 BTU is less than 375,000 BTU, the current gas piping will not have to be increased.

NOTE: The BTU capacities given in the tables are for straight pipe lengths only. Any elbows or other fittings will decrease pipe capacities. For example: a schedule 40 1-1/2" ell fitting has an equivalent capacity of 4.2" (10.2 cm) of straight pipe. Contact your local gas supplier if you have any questions.

Maximum Capacity of Iron Pipe in Cubic Feet of Natural Gas Per Hour
(Pressure drop of 0.5 Inch W.C.)

Pipe Length (ft)	Nominal Size, Inches				
	3/4"	1"	1-1/4"	1-1/2"	2"
10	360	680	1400	2100	3950
20	250	465	950	1460	2750
30	200	375	770	1180	2200
40	170	320	660	990	1900
50	151	285	580	900	1680
60	138	260	530	810	1520
70	125	240	490	750	1400
80	118	220	460	690	1300
90	110	205	430	650	1220
100	103	195	400	620	1150

From the National Fuel Gas Code Part 10 Table 10-2

Maximum Capacity of Pipe in Thousands of BTU/hr of Undiluted P.P. Gas at 11" W.C.
(Pressure drop of 0.5 Inch W.C.)

Pipe Length (ft)	Inside Diameter, Inches		
	3/4"	1"	1-1/2"
10	608	1146	3525
20	418	788	2423
30	336	632	1946
40	287	541	1665
50	255	480	1476
60	231	435	1337
70	215	404	1241
80	198	372	1144
90	187	351	1079
100	175	330	1014

From the National Fuel Gas Code Part 10 Table 10-15



Installation

Gas Connections

PRESSURE REGULATION AND TESTING

The gas pressure to the appliance must be rated for each appliance while the burners are on. A sufficient gas pressure must be present at the inlet to satisfy these conditions. Refer to the table below for correct gas pressure.

Each appliance has been adjusted at the factory to operate with the type of gas specified on the rating plate.

Each oven is supplied with a regulator to maintain the proper gas pressure. **The regulator is essential to the proper operation of the oven and should not be removed.**

DO NOT INSTALL AN ADDITIONAL REGULATOR WHERE THE UNIT CONNECTS TO THE GAS SUPPLY UNLESS THE INLET PRESSURE IS GREATER THAN 14" W.C. (1/2 PSI) (37mbar).

The oven and its individual shutoff valve must be disconnected from the gas supply piping system during any pressure testing of that system at test pressures in excess of 1/2 psig (3.45kPa).

The oven must be isolated from the gas supply piping system by closing its individual manual

shutoff valve during any pressure testing of the gas piping system at test pressures equal or less than 1/2 psig (3.45kPa).

Prior to connecting the appliance, gas lines should be thoroughly purged of all metal filings, shavings, pipe dope, and other debris. After connection, the appliance must be checked for correct gas pressure.

U.S. and Canadian Installations

Installation must conform with local codes, or in the absence of local codes, with the *National Fuel Gas Code, NFPA54/ANSI Z223.1—Latest Edition*, the *Natural Gas Installation Code CAN/CGA-B149.1* or the *Propane Installation Code, CAN/CGA-B149.2* as applicable.

General Export Installations

Installation must conform with Local and National installation standards. Local installation codes and/or requirements may vary. If you have any questions regarding the proper installation and/or operation of your appliance, please contact your local distributor. If you do not have a local distributor, please call Blodgett Combi at 0011-802-860-3700.

GAS PRESSURE					
Gas Type	Inlet Pressure	Orifice Size at Sea Level		Manifold Pressure	
		Hot Air	Steam	Hot Air	Steam
BCX-14G					
Natural	7–14" W.C.	.0531" dia	.042" dia	3.5" W.C.	3.5" W.C.
Propane	12–14" W.C.	.032" dia	.026" dia	10.0" W.C.	10.0" W.C.
BX-14G and CNVX-14G					
Natural	7–14" W.C.	.0531" dia	—	3.5" W.C.	—
Propane	12–14" W.C.	.032" dia	—	10.0" W.C.	—



Gas Hose Restraint

If the appliance is mounted on casters, a commercial flexible connector with a minimum of 3/4" (1.9 cm) inside diameter must be used along with a quick connect device.

A restraint must be used to limit the movement of the appliance so that no strain is placed upon the flexible connector. The restraint should be fastened to the base frame of the oven as close to the flexible connector as possible. It should be short enough to prevent any strain on the connector. With the restraint fully stretched the connector should be easy to install and quick connect.

The restraint (ie: heavy gauge cable) should be attached without damaging the building. **DO NOT** use the gas piping or electrical conduit for the attachment of the permanent end of the restraint! Use anchor bolts in concrete or cement block. On wooden walls, drive hi test wood lag screws into the studs of the wall.

WARNING!!

If the restraint is disconnected for any reason it must be reconnected when the appliance is returned to its original position.

U.S. and Canadian installations

The connector must comply with the *Standard for Connectors for Movable Gas Appliances, ANSI Z21.69* or *Connectors For Moveable Gas Appliances CAN/CGA-6.16* and a quick disconnect device that complies with the *Standard for Quick-Disconnect Devices for Use With Gas Fuel, ANSI Z21.41* or *Quick Disconnect For Use With Gas Fuel CAN 1-6.9*. Adequate means must be provided to limit the movement of the appliance without depending on the connection and the quick disconnect device or its associated piping.

A drip leg must be used at each appliance. Refer to *NFPA54/ANSI Z223.1 - Latest Edition* (National Fuel Gas Code) for proper drip leg installation.

General export installations

Installation must conform with Local and National installation standards. Local installation codes and/or requirements may vary. If you have any questions regarding the proper installation and/or operation of your appliance, please contact your local distributor. If you do not have a local distributor, please call Blodgett Combi at 0011-802-860-3700.

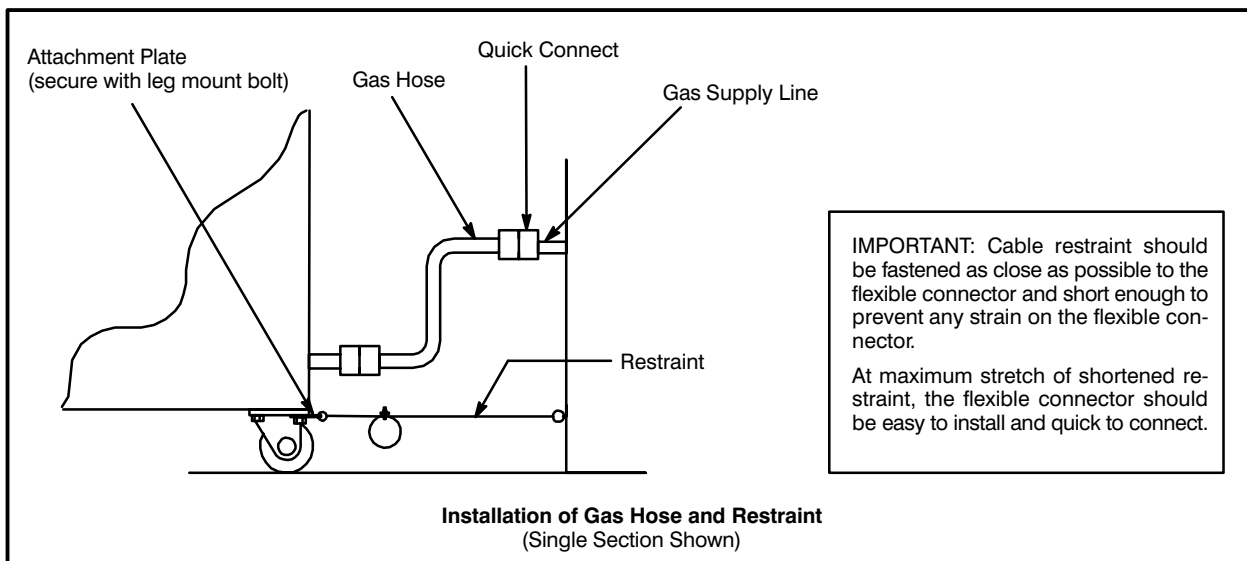


Figure 10



Installation

Adjustments

Before applying power to the appliance for the first time, check for the following conditions:

- All electrical safety provisions have been adhered to and the electrical connections are correct.
- Water is connected, turned on and all of the connections are water tight.
- The pan holders are inserted into the oven cavity.
- Cardboard has been removed from oven cavity.
- Gas has been turned on, if gas unit.

DOOR ADJUSTMENT

The door catch may be adjusted in and out using the following procedure:

1. Flip the rubber boot on the catch towards you.
2. Loosen the locknut to make adjustment.
3. Rotate the catch clockwise or counter clockwise to get proper adjustment.
4. Retighten locknut, assuring the catch is vertical.
5. Flip the rubber boot back into position.

The hinges can also be adjusted as follows:

1. Loosen the two 1/4-20 bolts on the top of the hinge plate and the two bolts on the bottom hinge plate.
2. Apply pressure to the door on the corners to get the proper seal. While pushing, tighten the bolts in place.

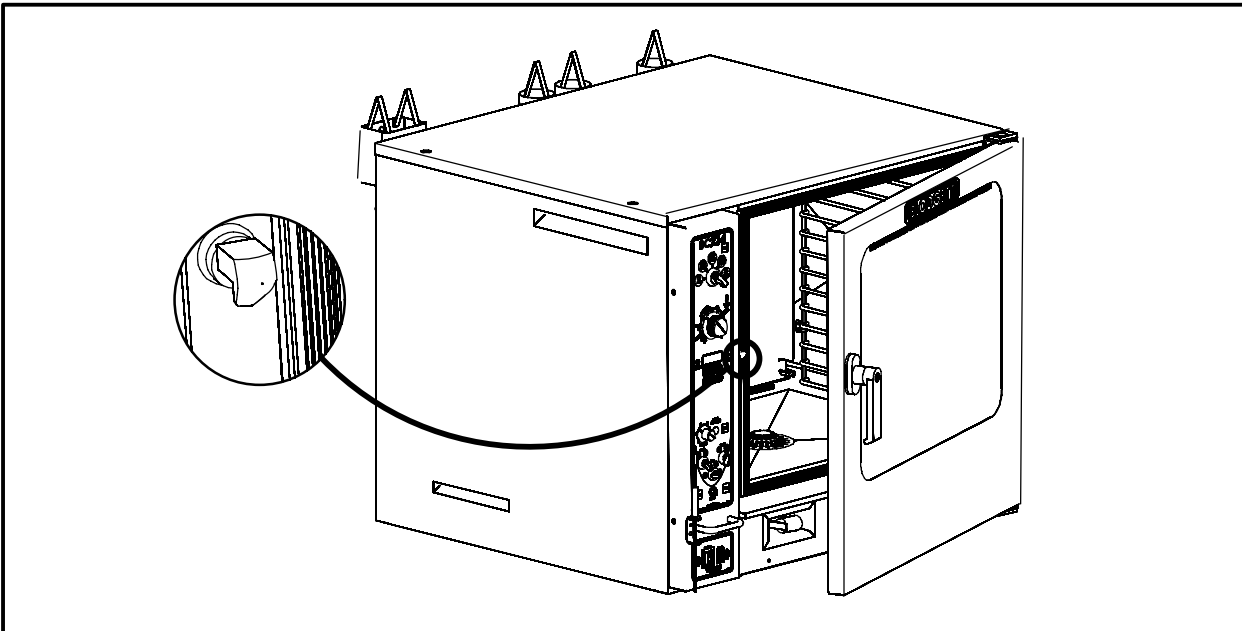


Figure 11



Final Check Lists



WARNING!!

Final check list must be performed by a qualified installer only.

ELECTRICAL CONTROL COMPARTMENT

- Voltage to appliance matches rating plate

PLUMBING FINAL CHECK

- Incoming water pressure within appliance specification.
- Atmospheric vented drain in place.
- Water feed lines intact without leaks.
- Ensure proper clearance as detailed on page 8.
- Delime system has been primed. BCX-14 only.

OVEN OPERATIONAL TESTS



NOTE: Checks to be made by customer or authorized service agent.

Cool Down Mode

- Check that the fan runs with the door open.

Steam Mode – BCX-14 and BX-14 only

Turn on STEAM mode and set thermostat to steam. Verify the following:

- Heat demand lamp is on.
- Heat demand lamp shuts off at approximately 212°F (100°C).
- Set timer for 1 minute by pressing the  key. Press  to count down. Be sure the buzzer sounds when the time expires.
- Run light (power light) turns on.
- Unit produces steam, window fogs, door seal does not leak.

Combi Mode – BCX-14 and BX-14 only

Turn to COMBI mode, set thermostat to 350°F (177°C) and verify:

- Heat demand lamp is on.
- Oven is heating.
- Heat demand lamp shuts off at 350°F (177°C) and oven maintains 350°F (177°C).
- Fan shuts off with door open.

Hot Air Mode – All models

Turn to HOT AIR mode and set thermostat to 400°F (204°C) and verify:

- Heat demand lamp is on.
- Oven is heating.
- Heat demand lamp shuts off at 400°F (204°C) and oven maintains 400°F (204°C).
- Fan shuts off with door open.

Steam On Demand Mode – BCX-14 and BX-14 only

Turn the oven to Hot Air mode. Set Steam On Demand for 1 minute. Press the Steam On Demand button and verify:

- Steam demand lamp is on.
- Steam demand lamp shuts off after approximately 1 minute.

Lights

- Rotate switch to ensure lights come on.

Cavity Vent

- Rotate switch to ensure that the vent opens and closes.

Fan Speed

- Rotate switch to ensure all fan speeds work.



Operation

Safety Information for Gas Units

THE INFORMATION CONTAINED IN THIS SECTION IS PROVIDED FOR THE USE OF QUALIFIED OPERATING PERSONNEL. QUALIFIED OPERATING PERSONNEL ARE THOSE WHO HAVE CAREFULLY READ THE INFORMATION CONTAINED IN THIS MANUAL, ARE FAMILIAR WITH THE FUNCTIONS OF THE OVEN AND/OR HAVE HAD PREVIOUS EXPERIENCE WITH THE OPERATION OF THE EQUIPMENT DESCRIBED. ADHERENCE TO THE PROCEDURES RECOMMENDED HEREIN WILL ASSURE THE ACHIEVEMENT OF OPTIMUM PERFORMANCE AND LONG, TROUBLE-FREE SERVICE.

Please take the time to read the following safety and operating instructions. They are the key to the successful operation of your Blodgett Combi appliance.



SAFETY TIPS

For your safety read before operating

What to do if you smell gas:

- DO NOT try to light any appliance.
- DO NOT touch any electrical switches.
- Use an exterior phone to call your gas supplier immediately.
- If you cannot reach your gas supplier, call the fire department.

What to do in the event of a power failure:

- Turn all switches to off.
- DO NOT attempt to operate the appliance until the power is restored.

NOTE: In the event of a shut-down of any kind, allow a five (5) minute shut off period before attempting to restart the oven.

General safety tips:

- DO NOT use tools to turn off the gas control. If the gas cannot be turned off manually do not try to repair it. Call a qualified service technician.
- If the oven needs to be moved for any reason, the gas must be turned off and disconnected from the appliance before removing the restraint cable. Reconnect the restraint after the oven has been returned to its original location.
- DO NOT remove the control panel cover unless the oven is unplugged.



Power Switches

CONTROLS IDENTIFICATION

1. HEAT CONTROL SWITCH

Gas Ovens – Used to turn gas on or off.

Electric Ovens – Used to turn power to the elements on or off.

2. CIRCUIT BREAKER – Used to turn power to the unit on or off.

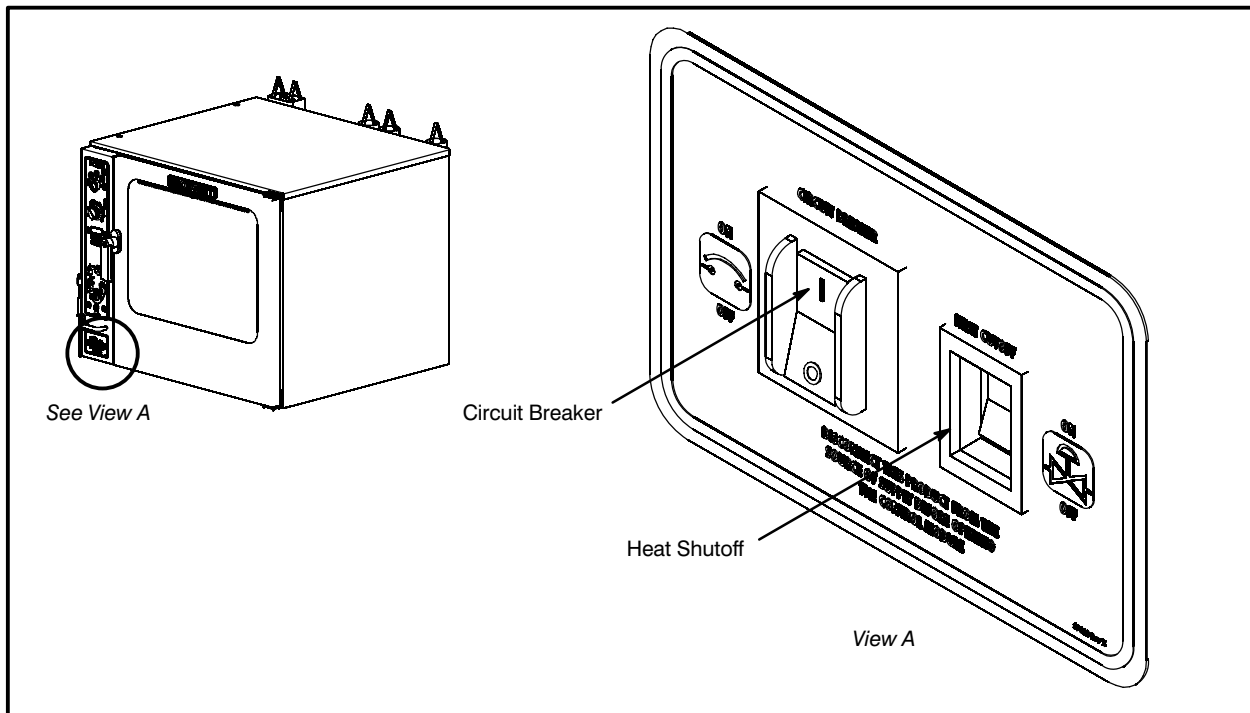


Figure 12



Operation

Standard Controls for Models BCX-14 and BX-14

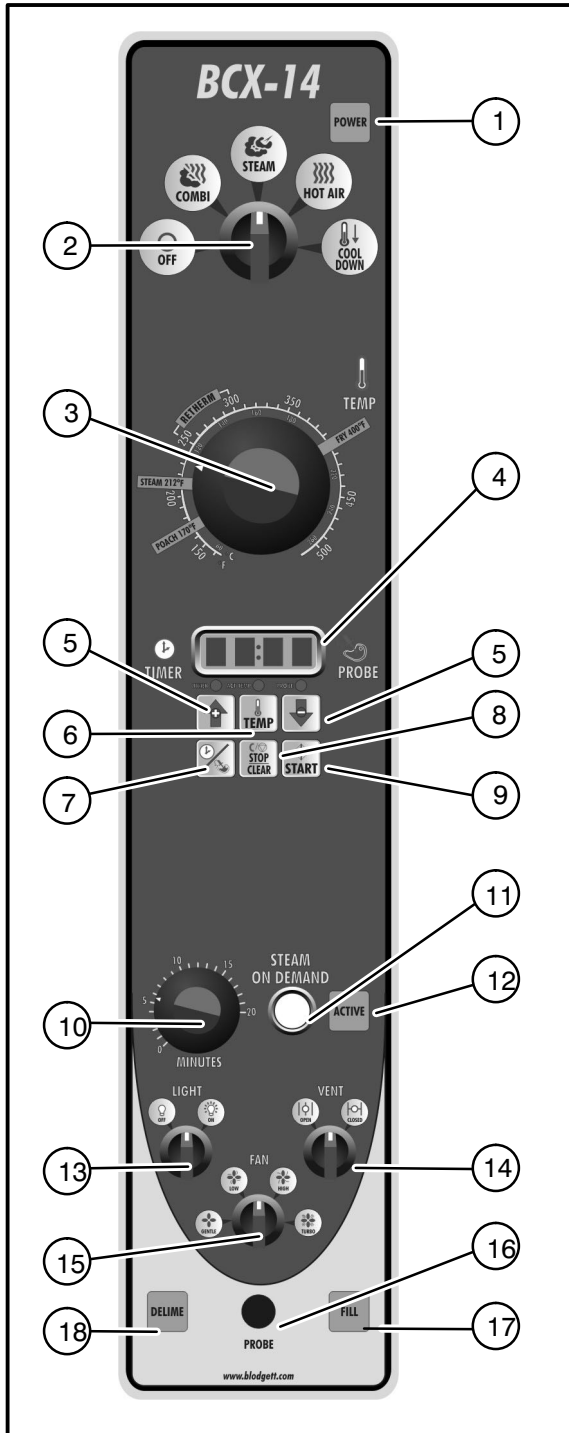


Figure 13

CONTROLS IDENTIFICATION

1. **POWER ON LAMP** – when lit indicates power to the unit is turned on.
2. **MODE SELECTOR SWITCH** – turns power to the oven on or off. Allows selection of Steam, Hot Air, Combi or Cool Down Modes.
3. **TEMPERATURE DIAL** – used to set desired cooking temperature.
4. **DISPLAY** – displays time and temperature information.
5. **UP & DOWN ARROW KEYS** – press to enter values in the display.
6. **ACTUAL TEMP KEY** – press to display the actual probe temperature during core cooking or actual cavity temperature in timer mode.
7. **TIME/PROBE TOGGLE KEY** – used to select either timer or probe cooking.
8. **CLEAR/STOP KEY** – use to clear or stop the timer and silence the buzzer.
9. **START KEY** – press to start the timer.
10. **STEAM ON DEMAND TIMER** – used to set duration for steam on demand.
11. **STEAM ON DEMAND SWITCH** – used to initiate steam injection cycle.
12. **STEAM ON DEMAND LAMP** – lights when steam on demand is activated.
13. **LIGHTS SWITCH** – used to turn the lights on and off.
14. **CAVITY VENT SWITCH** – used to open or close vent to release steam from cavity.
15. **FAN SPEED SWITCH** – used to select fan speed.
16. **PROBE CONNECTION** – used to connect the core temperature probe to the control.
17. **FILL LAMP** – illuminated until the steam generator is filled with water.
NOTE: Model BX-14 ovens do not have a fill lamp.
18. **DELIME LAMP (BCX-14 ovens only)** – Flashes when steam generator deliming is needed. Remains steady when deliming process is active.
CLEAN LAMP (BX-14 ovens only) – Flashes when the unit has been in use for a pre-programmed time and needs to be cleaned.



Standard Controls for Models BCX-14 and BX-14

TIMER COOKING

1. Press the TIMER/PROBE TOGGLE KEY (7) to select the timer mode. The TIMER LED below the display lights.
2. Turn the MODE SELECTOR Switch (2) to the desired function.
3. Set the TEMPERATURE DIAL (3) to the desired cook temperature.
For Steam mode, set the temperature no higher than 212°F (100°C).
For poaching, turn the temperature dial to the POACH position, 180°F (82°C).
The optimum temperature for Combi mode is 300-350°F (149-177°C).
4. When the oven has reached the cook temperature, load the product.
5. Use the ARROW KEYS (5) to enter the desired cook time in the display. You can clear the display by pressing the CLEAR/STOP KEY (8).
6. Press the START KEY (9) to begin the timer. The temperature, time and mode can be altered at any time during the cooking process. To stop the timer, press the CLEAR/STOP KEY (8).
7. When the timer reaches 00:00, the buzzer sounds. Press the CLEAR/STOP KEY (8) to silence the buzzer. Remove the product.

PROBE COOKING

1. Press the TIMER/PROBE key (7) to select the probe mode. The PROBE LED below the display lights.
2. Use the ARROW KEYS (5) to enter the desired final cook temperature in the display. You can clear the display by pressing the CLEAR/STOP KEY (8).
3. Insert the core probe into the product. Load product into the oven and close the door. Be sure that the terminal end of the core probe is outside of the oven and clear of the door.
4. Connect the core probe to the PROBE CONNECTION (16) at the bottom of the control.
5. The display gives the actual core probe temperature.
6. When the product reaches the final cook temperature the buzzer sounds.

COOL DOWN

NOTE: The unit can be cooled down rapidly for steaming, cleaning, etc.

1. To cool down the oven cavity, open the door and select Cool Down on the MODE SELECTOR Switch (2).

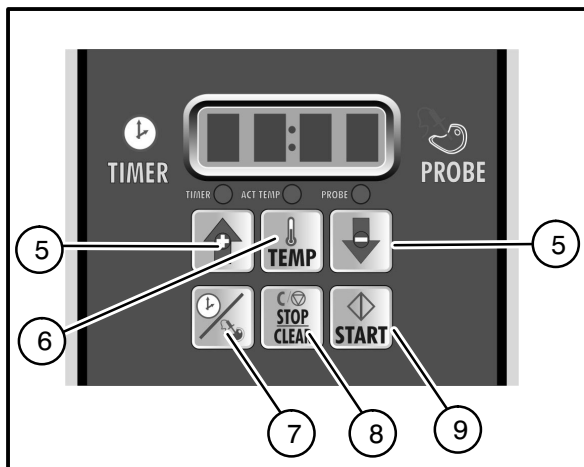


Figure 14



Operation

Standard Controls for Models BCX-14 and BX-14

STEAM ON DEMAND

How to set the Steam On Demand feature:

While in the Hot Air or Combi mode, the unit can be set to steam for a timed period. At the end of the timed cycle the unit reverts back to the original setting. Steam On Demand can be used at any time during the cook cycle.

NOTE: Steam On Demand is not available in steam mode.

1. Set the desired "steam on" time with the STEAM ON DEMAND TIMER (10).
2. Press the STEAM ON DEMAND SWITCH (11). The STEAM ON DEMAND LAMP (12) lights.

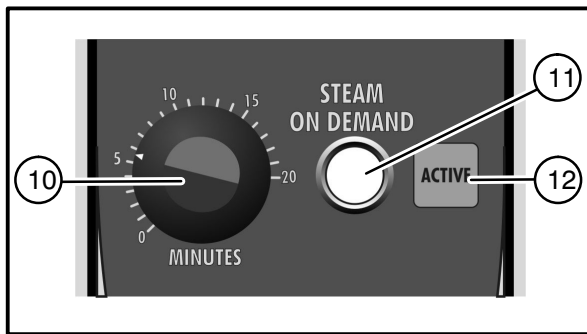


Figure 15

Uses for Steam On Demand:

Most of the ideas came from our creative customers. Experiment with this feature on your own and let us know of any new uses.

- Add a minute or two at the beginning when baking bread for a shiny crust.
- Kick start large loads such as 20 or more chickens. By starting large loads with 5 to 8 minutes of steam you help the oven recover and cut the cooking time by more than 10%.
- Bake bagels without boiling. By starting raw bagels with 1 to 2 minutes of steam you can achieve a beautiful crust.
- Cream caramel is great at 230°F to 250°F in the Combi mode using 2 minutes of on demand steam.
- When cooking chicken wings, try setting the oven in the Combi mode at 375°F and use 3 minutes of Steam On Demand. This method will stop the tips from burning. Total cooking time is approximately 12 minutes.
- Pork ribs tend to pull off the bone better when using 5 to 8 minutes of Steam On Demand. Try ribs in the Combi mode at 350°F.



Standard Controls for Models CNVX-14

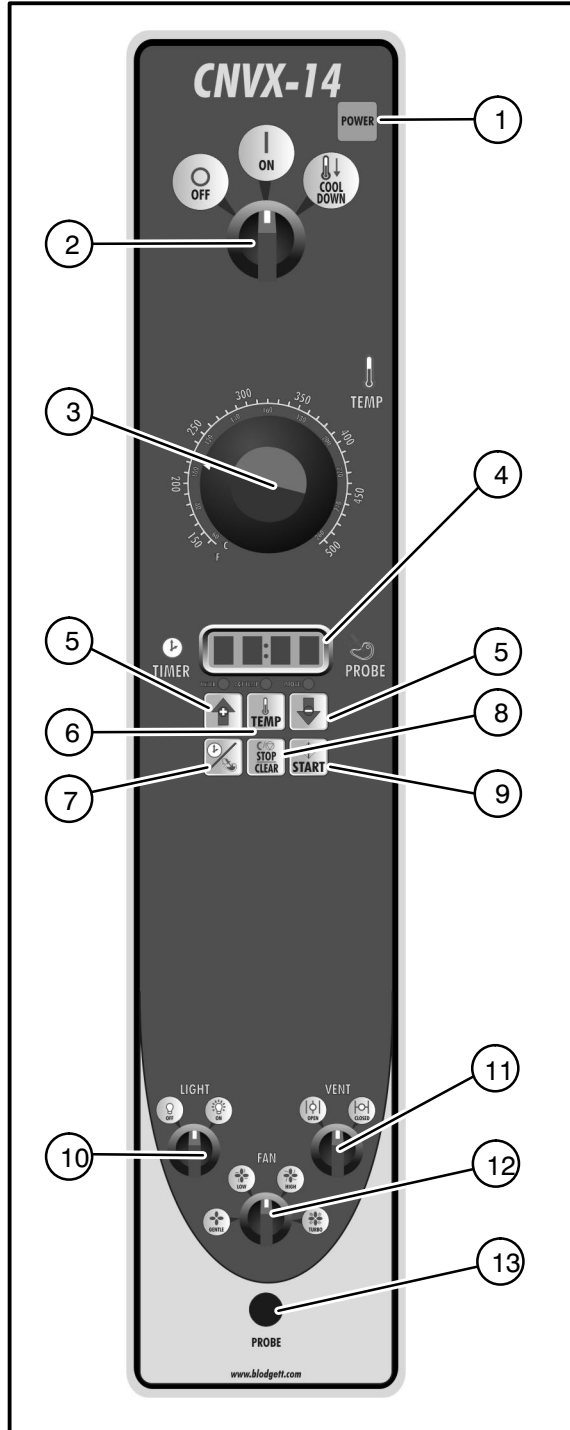


Figure 16

CONTROLS IDENTIFICATION

1. **POWER ON LAMP** – when lit indicates power to the unit is turned on.
2. **MODE SELECTOR SWITCH** – turns power to the oven on or off. Allows selection of Hot or Cool Down Modes.
3. **TEMPERATURE DIAL** – used to set desired cooking temperature.
4. **DISPLAY** – displays time and temperature information.
5. **UP & DOWN ARROW KEYS** – press to enter values in the display.
6. **ACTUAL TEMP KEY** – press to display the actual probe temperature during core cooking or actual cavity temperature in timer mode.
7. **TIME/PROBE TOGGLE KEY** – used to select either timer or probe cooking.
8. **CLEAR/STOP KEY** – use to clear or stop the timer and silence the buzzer.
9. **START KEY** – press to start the timer.
10. **LIGHTS SWITCH** – used to turn the lights on and off.
11. **CAVITY VENT SWITCH** – used to open or close vent to release heat from cavity.
12. **FAN SPEED SWITCH** – used to select fan speed.
13. **PROBE CONNECTION** – used to connect the core temperature probe to the control.



Operation

Standard Controls for Models CNVX-14

TIMER COOKING

1. Press the TIMER/PROBE TOGGLE KEY (7) to select the timer mode. The TIMER LED below the display lights.
2. Turn the MODE SELECTOR Switch (2) to the hot air mode.
3. Set the TEMPERATURE DIAL (3) to the desired cook temperature.
4. When the oven has reached the cook temperature, load the product.
5. Use the ARROW KEYS (5) to enter the desired cook time in the display. You can clear the display by pressing the CLEAR/STOP KEY (8).
6. Press the START KEY (9) to begin the timer. The temperature, time and mode can be altered at any time during the cooking process. To stop the timer, press the CLEAR/STOP KEY (8).
7. When the timer reaches 00:00, the buzzer sounds. Press the CLEAR/STOP KEY (8) to silence the buzzer. Remove the product.

PROBE COOKING

1. Press the TIMER/PROBE key (7) to select the probe mode. The PROBE LED below the display lights.
2. Use the ARROW KEYS (5) to enter the desired final cook temperature in the display. You can clear the display by pressing the CLEAR/STOP KEY (8).
3. Insert the core probe into the product. Load product into the oven and close the door. Be sure that the terminal end of the core probe is outside of the oven and clear of the door.
4. Connect the core probe to the PROBE CONNECTION (13) at the bottom of the control.
5. The display gives the actual core probe temperature.
6. When the product reaches the final cook temperature the buzzer sounds.

COOL DOWN

NOTE: The unit can be cooled down rapidly for steaming, cleaning, etc.

1. To cool down the oven cavity, open the door and select Cool Down on the MODE SELECTOR Switch (2).

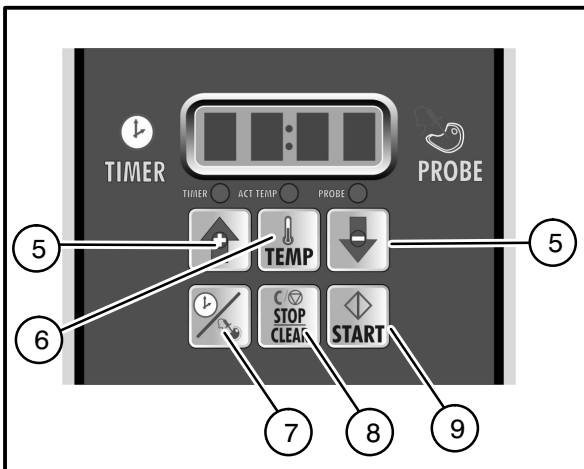


Figure 17



Spray Bottle Operating Procedure

NOTE: Only use a commercial oven cleaner/degreaser with the spray bottle. DO NOT use chemicals that are not intended as oven cleaners. See chemical manufacturer's information for intended use.

1. Unscrew the sprayer head and fill the container to the MAX mark. Screw the head assembly on firmly to ensure an airtight seal. The liquid must be clean and free from foreign matter. Do not overfill - space must be left for compressing air.
2. To build up pressure, pump approximately 20 full strokes when the container is filled with liquid. The higher the pressure, the finer the spray. If the container is only partially filled, then more pumping is required to compress the additional air space.
3. To spray, depress the trigger with your thumb.
4. Adjust spray nozzle for a wide spray pattern.
5. After a period of spraying, the pressure will drop. Restore the pressure by operating the air pump.
6. Release pressure after use by inverting the spray head and depressing the trigger or by slowly unscrewing the spray head assembly which will allow air to escape from around the filling aperture.
7. After use, rinse the spray bottle with clean water and check that the hole in the nozzle is perfectly clean and clear. Warm water (not hot) used with a household detergent is a useful cleaning agent for this purpose.

NOTE: Further information can be found in the instruction leaflet supplied with your spray bottle.



WARNING!!

Protective clothing and eyewear should be worn while using cleaning agents.

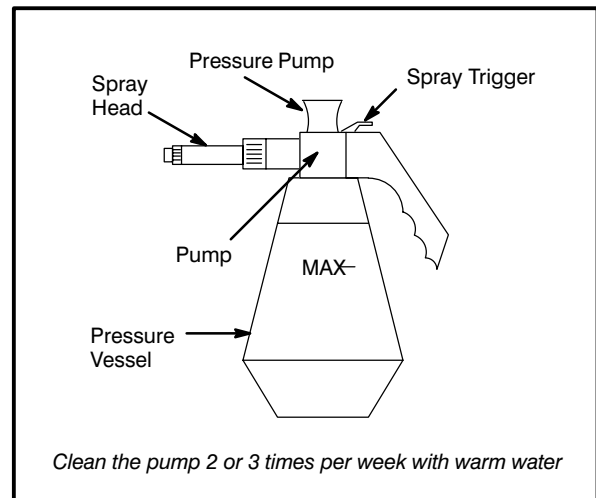


Figure 18

Complete Spray Bottle – P/N R0006
Spray Head Repair Kit – P/N R6332



Maintenance

Cleaning and Preventive Maintenance

CLEANING THE INTERIOR

Daily Cleaning

Daily cleaning of the appliance is essential for sanitation, and to ensure against operational difficulties. The stainless steel cavity may corrode with improper cleaning of the oven. Use an oven cleaning detergent in conjunction with the supplied spray bottle.

For difficult cleaning, allow the spray-on oven cleaner to work longer before rinsing.

1. **Cool the appliance down** to 140°F (60°C) or, if the oven has been idle, turn the steam mode on for 3 to 4 minutes in order to warm the cavity surfaces.
2. Fill the spray bottle and pump air into the container with the pressure pump.
3. Spray the interior of the oven with a cleaning solution. Be certain to spray cleaner through the fan guard to cover all surfaces.

NOTE: Never spray water into the appliance when the temperature is above 212°F (100°C).

4. Let the cleaner work the time recommended by the cleaning solution manufacturer. For difficult, baked on grease, etc. allow to work over night.
5. Set the timer for 15 to 20 minutes.
6. Set the mode selector switch to Steam. This will soften all burned on residue.
7. Rinse the appliance interior with water (a hose is supplied, but take care that only the interior cavity is sprayed with water). Wipe the interior dry after rinsing.
8. The door should be kept slightly open after cleaning. This will allow the oven to vent and increase the life of the door gasket.

On stainless interiors, deposits of baked on splatter, oil, grease or light discoloration may be removed with a good non toxic industrial stainless steel cleaner. Apply cleaners when the oven is cold and always rub with the grain of the metal. The racks, rack supports and the blower wheel may be cleaned in the oven or by removing them from the oven and soaking them in a solution of ammonia and water.

NOTE: DO NOT use corrosive cleaners not intended for oven cleaning on your Combi oven.

Recommended cleaners:

- a.) ECOLAB Greasecutter Plus
- b.) CELLO EZ Clean
- c.) Diversey-Lever Advance Oven Cleaner



WARNING!!

Be sure to read and follow the MSDS or safety instructions on the bottle for your oven cleaner.

BX-14 Boilerless Oven Weekly Cleaning

In addition to the daily cleaning, it is necessary to clean behind the fan guard of this oven on a weekly basis. This is necessary for proper functioning of the oven. Scale will build up on the fan and heat source leading to a less efficient oven.

1. Turn off the oven. Make sure that the oven is cooled down to under 140°F (60°C).
2. Remove the rack guides.



Figure 19



Cleaning and Preventive Maintenance

3. Rotate the two screws on the left side of the fan guard.



Figure 20

4. Remove the fan guard.



Figure 21

5. Thoroughly spray cleaner onto the fan and heat source. Close the door to allow the cleaner to work.
6. After ten minutes, rinse the cleaner off. Return the fan guard to the closed position. Rotate the two screws to secure the fan guard.

Remove and clean the blower wheel every 6 months.

BX-14 Boilerless “CLEAN” Light

The “CLEAN” light informs the user that the oven has been in use for a preprogrammed period of time and now needs to be cleaned. It is necessary to clean the interior thoroughly because of the water minerals that will accumulate. Proper cleaning will extend the life of your oven.

Once the oven interior has been cleaned the “CLEAN” light must be reset. To reset the light:

1. Place the oven in STEAM mode.
2. Press and hold the STEAM ON DEMAND button until the light flashes quickly.
3. When the light stops flashing, let go of the button.
4. The oven has reset and will begin counting the time until the next cleaning.

CLEANING THE EXTERIOR

The exterior of the appliance may be cleaned and kept in good condition with a light oil. Saturate a cloth and wipe the appliance when it is cold; wipe dry with a clean cloth.



WARNING!!

DO NOT spray the outside of the appliance with water or clean with a water jet. Cleaning with a water jet can impregnate chlorides into the stainless steel, causing the onset of corrosion.

PREVENTIVE MAINTENANCE

The best preventive maintenance measures are the proper initial installation of the equipment and a program for cleaning the appliance routinely. The Oven/Steamer requires no lubrication. Contact the factory, the factory representative or a local Blodgett Combi service company to perform maintenance and repairs should they be required.



Maintenance

Deliming (BCX-14 units only)

Deliming of the steam generator is the single most important preventative maintenance task. Lime will build up inside the steam generator, reducing efficiency and causing damage to the level control system. This oven comes equipped with a Delime lamp to indicate when the steam generator needs to be delimed. The Delime lamp will flash when the steam generator has been run for the preset interval. The flashing Delime lamp does not impede the operation of the oven, you can use the oven normally when the lamp is flashing. You may choose the best time to start the deliming process.



WARNING!!

Problems caused by insufficient deliming are not covered by the warranty.

Be sure to use a **non-diluted** deliming agent such as "Lime Away" by Eco-Labs or "Lime Out", by US Chemical.



WARNING!!

Deliming solutions are hazardous and can cause burns to the skin and eyes. Wear protective clothing and eyewear.

SEMI-AUTO DELIME PROCESS

NOTE: The Delime lamp must be flashing to start this process.



WARNING!!

DO NOT initiate the deliming sequence until the boiler is preheated.



WARNING!!

DO NOT cook while deliming.

1. **The boiler must be preheated prior to deliming.** If the boiler is not already preheated, place the oven in the Hot Air mode for approximately 10 minutes.
2. Be sure the container delivering the deliming agent to the appliance is full.
3. Be sure the door is open.
4. Turn the oven to **Cool Down** mode. Press and release the **Steam On Demand** button. The Delime lamp will flash faster, acknowledging the action.
5. Turn the oven to the OFF mode.

The remainder of the procedure is automatic. The Delime lamp will stay illuminated while the process is active. Once the process has been started, the oven cannot be used until the process is complete. The total process time is approximately 45 minutes. When the process is completed, the Delime lamp will turn off indicating the appliance can now be used normally.



Deliming (BCX-14 units only)

DELIMING INTERVAL SETTING

Refer to Figure 22 to determine the correct deliming interval for your appliance. Find your location and the corresponding potentiometer setting. These values are general and are guidelines only. Your specific water quality may be harder or softer. Adjust the deliming interval to your specific water quality.

NOTE: If you have the oven connected to a filter system, the water hardness may be reduced. Check with filter supplier for details.

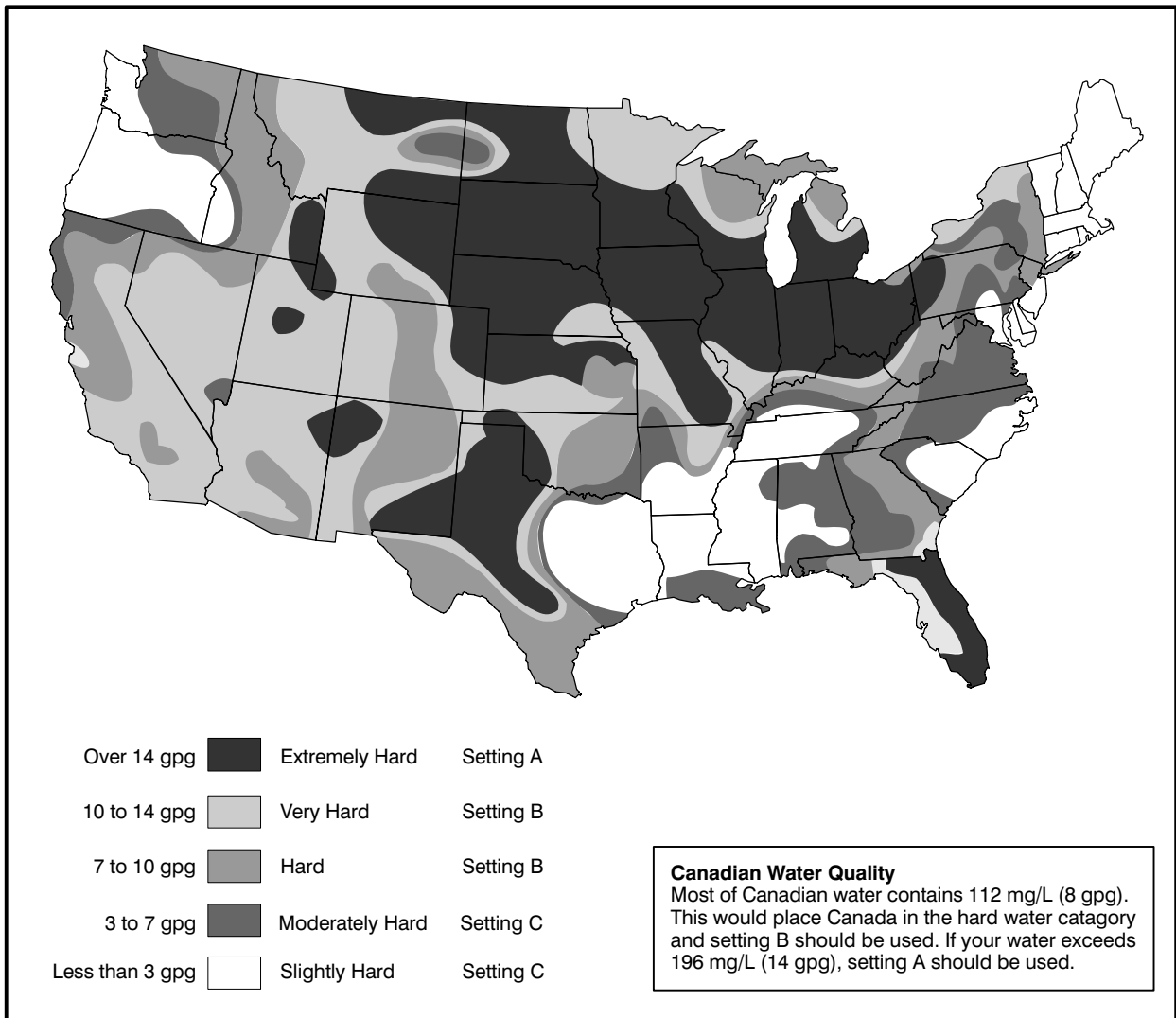


Figure 22



Maintenance

Delimiting (BCX-14 units only)

To set the delimiting interval:

1. Remove power from the appliance.
2. Remove the two screws located on the side panel. Slide the control module out of the control.
3. Turn the potentiometer to the required setting. See Figure 23.
4. Slide the control back in, replace the two screws.
5. Apply power to the appliance.

A PC may be connected at power up of the appliance to verify the potentiometer setting. The "Delimiting interval is x hour(s) of steam generator run time." Status line will show 30, 60 or 90. Refer to Figure 25 on page 33.

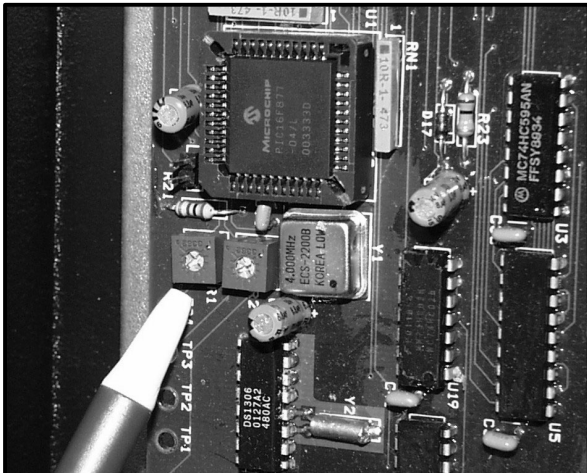


Figure 23

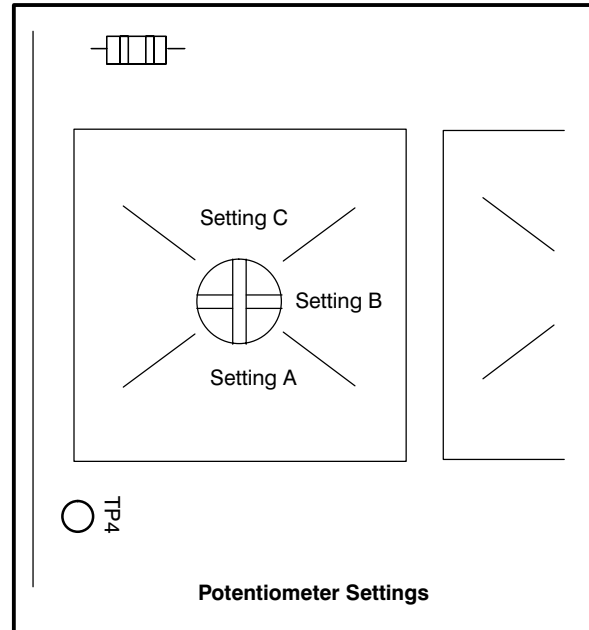


Figure 24



Communication (BCX-14 and BX-14 units only)

The oven is equipped with a serial RS-232 communication port located inside the control panel. A laptop computer can be used to view informa-

tion regarding certain parameters of the appliance including delimiting history. A typical screen shot is shown below.

```
Software (c) 2002 Blodgett
Blodgett Combi BC-2 Control
```

ROM Saved Data

```
=====
Version -> 3
Model -> 0
Startup Date-> 25
Startup Month -> 6
Startup Year -> 2
Low Volt -> 37
High Volt -> 80
Steam Time(sec) -> 16384
SD Time(sec) -> 457
CNV Time(sec) -> 239087
Combi Time(sec)-> 71870
Heat DMD events -> 0378956
Current time -> 11h : 22m : 10s
Current date -> 26 day 6 month 2 year
Total delimiting events -> 3
Steam has been run -> 21 hour(s) 52 min(s) 8 sec(s) since last delimiting.
Next delimiting in approximately 3 hour(s) of Steam Generator run time.
Delimiting interval is 24 hour(s) of Steam Generator run time.
```

Delimiting History

```
=====
Last address 5 and state 0
Event no. 1 on 25 day 5 month 2 year
Event no. 2 on 23 day 6 month 2 year
Event no. 3 on 21 day 7 month 2 year
Event no. 4 on 0 day 0 month 0 year
Event no. 5 on 0 day 0 month 0 year
```

Explanation of output

<i>Version</i> -	Software version.
<i>Model</i> -	1 = Gas oven, 0 = Electric oven.
<i>Startup Date, Month, Year</i> -	Date oven was started up.
<i>Low Volt, High Volt</i> -	Power supply fluctuations.
<i>Steam Time</i> -	Time in second's oven has used Steam Mode.
<i>SD Time</i> -	Time in second's oven has used in On Demand Steam mode.
<i>CNV Time</i> -	Time in second's oven has used Hot Air Mode.
<i>Combi Time</i> -	Time in second's oven has used in Combi Mode.
<i>Heat DMD events</i> -	Total number of heat demand events.
<i>Current time, Current date</i> -	Current date and time.
<i>Total delimiting events</i> -	Total number of times oven has been delimited.
<i>Steam has been run</i> -> -	How long steam generator has been run since last delimiting.
<i>Next delimiting..</i> -	Approximately next time steam generator will need a delimiting.
<i>Delimiting interval</i> ..-	Hours the steam generator will run between delimiting events.
<i>Delimiting History</i> -	The last 52 events will be printed out. If an event has not occurred, a 0 will be used. Last address and state are used to record the last delimiting state in case of power fail during the process. Normally, state should be 0.

Figure 25



Maintenance

Communication (BCX-14 and BX-14 units only)

To connect to the oven using a Laptop computer (Microsoft Windows OS)

1. Disconnect the appliance from the power source.
2. Remove (2) screws and slide the control panel forward.
3. Boot up the computer.
4. Attach a standard serial cable to the laptop computer's serial port, and to the 9 pin serial port located on the PCB in the control area. See Figure 26.
5. Start a communication program such as "Hyperterminal" by selecting Start->Programs->Accessories->Hyperterminal->HyperTerminal.
6. Enter a name for the connection, and select an icon, select OK.
7. Click on "Connect Using" and select the desired COM port used by the serial cable. Select OK.
8. Set the following parameters, then click OK.
 - d.) Bits per second **9600**
 - e.) Data bits **8**
 - f.) Parity **none**
 - g.) Stop bits **1**
 - h.) Flow Control **None**

To view data:

To view the output data, the appliance must be disconnected from the power source for 10 seconds, then power must be re-applied. The data will then be outputted to the terminal window. Data is also outputted during the delimiting process. Each state is written to the screen, with the amount of seconds left in the current state being counted down.

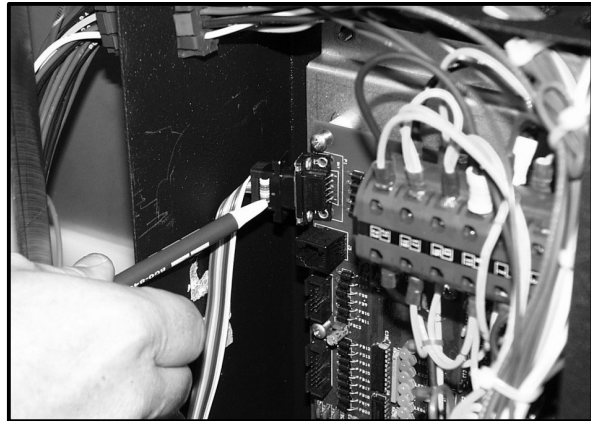
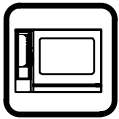


Figure 26

BCX-14G, BCX-14E, BX-14G, BX-14E, CNVX-14G et CNVX-14E

Manuel D'Installation – Fonctionnement – Entretien



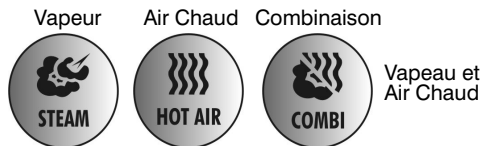
Introduction

Le four-éleveur Combi de Blodgett

Le four-éleveur Combi de Blodgett propose une toute nouvelle manière de cuire les aliments. Avec le four-éleveur Combi, vous pouvez choisir entre **deux modes de cuisson** : à la **vapeur** et à l'**air chaud**, soit...

- **séparément**
- **combiné, ou**
- **en séquence**

En outre, trois modes de fonctionnement faciles s'offrent à vous :



En mode **Steam** (vapeur), vous pouvez :

élever	réchauffer	reconstituer
bouillir	décongeler	mijoter
blanchir	conservier	braiser
pocher		

En mode **Hot Air** (air chaud), vous pouvez :

rôtir	cuire du pain et des gâteaux
griller	gratiner

En mode **Combi** (combinaison de vapeur et d'air chaud), vous pouvez :

décongeler	rôtir	réchauffer
élever	cuire du pain et des gâteaux	

REMARQUE: Les modèles CNVX fonctionnent en mode d'air chaud seulement.

De plus, vous pouvez utiliser deux ou trois fonctions de manière séquentielle au cours d'une même cuisson. Nous appelons cette méthode :

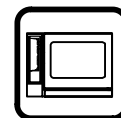
- **élevage combiné**
- **rôtissage combiné**
- **cuisson de pain combinée**

La circulation de l'air chaud combinée avec la vapeur du four-éleveur Combi à haute performance assurer des améliorations à plusieurs niveaux :

- **productivité accrue dans la cuisine**
- **diminution des dépenses liées au remplacement des appareils de cuisine**
- **un choix de menus plus vaste**
- **un nettoyage simplifié**

Le travail est simplifié puisque les aliments sont préparés sur des plateaux ou dans des récipients de la table à vapeur. Vous pouvez cuire, stocker et transporter les aliments dans ces mêmes récipients. Vous pouvez préparer avec efficacité de petites quantités d'aliments de même que réchauffer les plats cuisinés et les aliments prêts-à-servir en quelques minutes seulement. Il devient possible aussi de préparer certains aliments surgelés sans même les décongeler. Cette souplesse au niveau de la préparation réduit l'utilisation de chaudrons et de tables à vapeur puisqu'il n'est plus nécessaire de conserver au chaud de grandes quantités d'aliments pendant de longues périodes.

De nos jours, il devient de plus en plus important d'améliorer la qualité des aliments. Avec le four-éleveur Combi de Blodgett, la cuisson des légumes se fait sans eau et à une température optimale légèrement inférieure à 100°C (212°F), permettant ainsi de conserver les vitamines, les minéraux, les éléments nutritifs et les oligo-éléments. La viande cuite dans le Combi perd moins de sa masse et demeure plus ferme et plus juteuse. Vous utiliserez aussi le four-éleveur Combi davantage pour les produits de la boulangerie, car les modes Steam (vapeur) et Hot Air (air chaud) du four-éleveur Combi en font un appareil de cuisson tout usage.



Description du four-éleveur Combi

À PROPOS DU FOUR-ÉLEVEUR

Les fours-éleveurs Combi de Blodgett sont des appareils haut de gamme fabriqués en acier inoxydable de première qualité en faisant appel à des procédés supérieurs.

Le ventilateur à deux vitesses est doté d'un dispositif de protection pour les doigts et alimenté par un puissant moteur silencieux. Le condenseur aspire l'excès de vapeur de l'appareil. La condensation et les eaux usées générées par la vapeur et le nettoyage sont continuellement évacuées.

L'isolant de haute qualité empêche un rayonnement thermique excessif et aide à conserver l'énergie.

En option, des pieds réglables et des supports permettent d'adapter le four-éleveur Combi aux surfaces inégales et à tous les modèles de table.

Le générateur de vapeur fraîche haute performance comporte un système de commande qui vous permet de profiter de tous les avantages d'un éleveur de haute qualité au simple actionnement d'un bouton. La vapeur fraîche entre dans la cavité du four sans pression et y circule à haute vitesse. Cette méthode simple et pratique favorise une cuisson rapide et en douceur qui vous procure des aliments de première qualité. Le générateur de vapeur est complètement automatique et il est doté d'un dispositif qui l'empêche de fonctionner à sec.

FONCTIONNEMENT DU FOUR-ÉLEVEUR COMBI

La porte pratique du four est dotée d'un hublot et possède un grand rayon d'ouverture. La poignée de la porte est facile à saisir, même avec des mains mouillées ou grasses.

La disposition simple des commandes facilite l'utilisation de l'appareil. Même un cuisinier inexpérimenté peut facilement utiliser l'appareil grâce à un système de pictogrammes explicites. Un sélecteur permet de passer facilement d'un mode de cuisson à l'autre, soit Steam (vapeur), Hot Air (air chaud) ou Combi (combinaison). La fonction de vapeur sur demande permet à l'opérateur d'injecter de la vapeur pendant 8 minutes lorsque l'appareil se trouve dans les modes d'air chaud ou de combinaison. Cette fonction est très utile pour la cuisson de pains et de gâteaux et le rôtissage. La quatrième fonction du sélecteur, le mode Cool Down (refroidissement), permet de refroidir rapidement la cavité du four lorsque la porte est ouverte.

L'appareil exige un nettoyage minime. L'intérieur est vaporisé d'une solution nettoyante à action instantanée qui réagit avec la vapeur pour éliminer les croûtes et les taches. La conception du four-éleveur Combi assure un entretien facile. Les soudures sont étanches à l'eau, ce qui permet de rincer la cavité du four après le nettoyage à la vapeur.



Introduction

Fonctionnalités du four

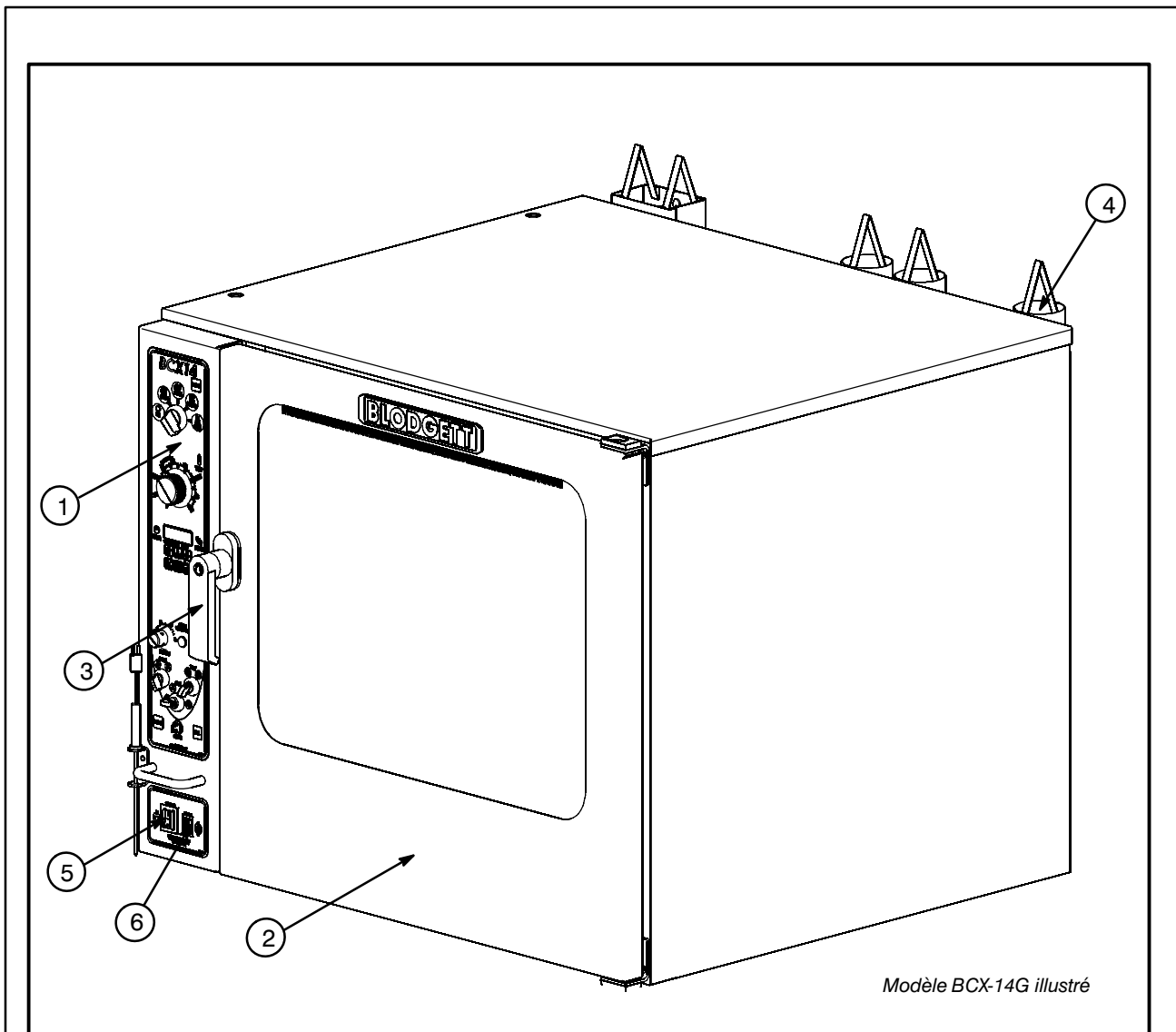


Figure 27

- | | | | |
|---|---------------------|---|----------------------|
| 1 | Panneau de commande | 4 | Évent à vapeur |
| 2 | Porte du four | 5 | Fusible |
| 3 | Poignée | 6 | Coupure du chauffage |



LES PRÉSENTES CONSIGNES D'INSTALLATION SONT DESTINÉES AU PERSONNEL D'INSTALLATION ET D'ENTRETIEN QUALIFIÉ SEULEMENT. TOUTE INSTALLATION OU TOUT ENTRETIEN EFFECTUÉ PAR DES PERSONNES NON COMPÉTENTES POURRAIENT ENDOMMAGER LE FOUR OU CAUSER DES BLESSURES.

Le terme personnel d'installation qualifié désigne une personne, une entreprise, une société ou une organisation assumant, elle-même ou par l'entremise d'un représentant, les responsabilités suivantes :

- la pose ou le remplacement des tuyaux de gaz. Le raccordement, la mise en service, la réparation ou l'entretien du matériel.
- La pose du câblage électrique à partir du compteur, de la boîte de distribution principale ou de la prise jusqu'à l'appareil.

Le personnel qualifié doit détenir de l'expérience dans ces domaines, connaître toutes les mesures de sécurité pertinentes et respecter les normes de la province ou des autorités locales.

Mises en service américaines et canadiennes

La mise en service doit respecter les normes locales ou, en l'absence de tels normes, les règlements suivants : *National Fuel Gas Code, NFPA54/ANSI Z223.1 – dernière édition, le Code d'installation du gaz naturel CAN/CGA-B149.1* ou le *Code d'installation du propane, CAN/CGA-B149.2*, selon le cas.

Référence : *National Electrical Code, ANSI/NFPA 70 – dernière édition* ou le *Code canadien de l'électricité CSA C22.1*, selon le cas.

La mise en service de ce matériel doit respecter les normes suivantes : *Basic Plumbing Code of the Building Officials and Code Administrators International Inc. (BOCA)* et *Food Service Sanitation Manual du Food and Drug Administration (FDA)*.

Mise en service dans les autres pays

L'installation doit respecter les normes nationales et locales, qui varient selon le pays. Si vous avez des questions sur les méthodes d'installation acceptables ou sur le fonctionnement de votre appareil, veuillez communiquer avec votre détaillant. S'il n'y a aucun détaillant dans votre région, veuillez communiquer avec Blodgett Combi au 0011-802-860-3700.





Installation

Responsabilités du propriétaire

Responsabilités de l'installation avant l'inspection de mise en service

Vous avez droit à une inspection de mise en service gratuite effectuée dès que possible par notre représentant. Avant que cette personne se présente pour effectuer la mise en service, vous devez vous assurer de satisfaire déjà aux exigences suivantes :

1. Le four est déballé, empilé (s'il y a lieu) et mis en place.

REMARQUE: Veuillez consulter la section Montage des pieds et Superposition.

Charges maximales sure une tablette – 27.3 kg (60lb)

SPÉCIFICATIONS DE PLOMBERI		
	BCX-14G/AA, BCX-14E/AA BX-14G/AA, et BX-14E/AA	CNVX-14G/AA CNVX-14E/AA
EAU		
Pression d'eau	30 lb/po2 (207 kPa) minimum 50 lb/po2 (345 kPa) maximum	
Raccordement d'eau	Boyau d'eau chaude et froide 3/4 po	Boyau de 3/4 po pour boyau de pulvérisation – eau froide seulement
Réglage du régulateur d'eau	Prérégler à 30 lb/po2 (207 kPa)	
Conditions requises minimum	Total des solides en suspension (TDS) – doit être moins que 100 parties par million Dureté totale de l'eau – 80-120 parties par million Chlorides – doit être moins que 30 parties par million Le pH de l'eau – 7.0-8.0	
DRAINAGE		
Type de drain	Drain de mise à l'air libre	
Raccordement du drain	Cuivre 50,8 mm (2,00 po)	
Température moyenne de l'eau au drainage	Environ 71°C (160°F)	



Responsabilités du propriétaire

CARACTÉRISTIQUES TECHNIQUES – APPAREILS AU GAZ					
Type de gaz	Entrée	Tension	Phase	Intensité	Moteur
BCX-14G/AA					
Naturel	Vapeur – 50 000 BTU/h Air chaud – 65 000 BTU/h Total – 115 000 BTU/h	120	1	20	3/4 HP 208-240 V c.a., 3 fase, 50/60 Hz
Propane	Vapeur – 48 000 BTU/h Air chaud – 65 000 BTU/h Total – 113 000 BTU/h	120	1	20	3/4 HP 208-240 V c.a., 3 fase, 50/60 Hz
Connecteur de 3/4 po FNPT pour toutes les installations canadiennes et américaines					
BX-14G/AA et CNVX-14G/AA					
Naturel	Air chaud – 65 000 BTU/h	120	1	20	3/4 HP 208-240 V c.a., 3 fase, 50/60 Hz
Propane	Air chaud – 65 000 BTU/h	120	1	20	3/4 HP 208-240 V c.a., 3 fase, 50/60 Hz
Connecteur de 3/4 po FNPT pour toutes les installations canadiennes et américaines					

CARACTÉRISTIQUES TECHNIQUES – APPAREILS ÉLECTRIQUES BCX-14E/AA, BX-14E/AA et CNVX-14E						
Tension	Fréquence	Phase	Charge maximale (ampères)			Moteur
			L1	L2	L3	
208	60	3	53	53	50	3/4 HP 208-240 V c.a., 50/60 Hz
240	60	3	46	46	43	3/4 HP 208-240 V c.a., 50/60 Hz
480	60	3	23	23	21	3/4 HP 208-240 V c.a., 50/60 Hz
415	50	3	26.5	26.5	24.1	3/4 HP 208-240 V c.a., 50/60 Hz



Installation

Emplacement du four et mise de niveau et Ventilation

EMPLACEMENT DU FOUR

Il est important de bien choisir l'emplacement de votre four afin d'en augmenter les performances et l'utilité.

Vous devez conserver un dégagement minimal entre le four et toute construction combustible ou non combustible. Consultez le tableau ci-dessous.

De plus, il est recommandé de respecter les dégagements suivants pour l'entretien.

- Parois latérales du four – 30 cm (12 po)
- Paroi arrière du four – 30 cm (12 po)

REMARQUE: Pour les modèles à gaz, il est habituellement possible d'effectuer l'entretien courant sans être gêné par le dispositif de retenue du tuyau à gaz. S'il devient nécessaire d'éloigner davantage le four du mur, vous devez d'abord fermer l'alimentation de gaz et débrancher le tuyau du four avant de retirer le câble d'immobilisation. Remettez le câble en place lorsque le four est remis à sa position normale.

Écran thermique – côté gauche

Il ne doit y avoir aucune source de chaleur à proximité des orifices d'aération situés du côté gauche de l'appareil à gaz.

Modèle du four	DÉGAGEMENT ACCEPTABLE		
	Côté droit	Côté gauche	Arrière
BCX-14G BX-14G CNVX-14G	152,4 mm (6 po)	0 mm (0 po)	152,4 mm (6 po)
BCX-14E BX-14E CNVX-14E	0 mm (0 po)	0 mm (0 po)	152,4 mm (6 po)

VENTILATION

On ne saurait trop insister sur la nécessité de prévoir un système d'aération bien conçu. Un tel système permettra au four de bien fonctionner,

tout en évacuant les vapeurs et produits de combustion gênants de la zone d'utilisation.

L'extraction des fumées de combustion de l'appareil doit se faire au moyen d'un groupe d'aspiration à commande mécanique. Celui-ci doit être dimensionné de façon à ce qu'il recouvre entièrement l'appareil, tout en dépassant d'au moins 15 cm de tous les côtés qui ne sont pas contigus à un mur. Le groupe doit avoir la capacité qui convient et un appoint d'air adéquat doit être prévu.

AVERTISSEMENT!!

Une mauvaise extraction des fumées de combustion du four peut mettre en danger la santé de l'opérateur. Elle aura également pour résultats des problèmes de fonctionnement, une cuisson laissant à désirer et de possibles dégâts subis par le matériel. Les dégâts résultant directement d'une aération inadéquate ne seront pas couverts par la garantie offerte par le fabricant.

Si cet appareil est installé dans le Commonwealth du Massachusetts, il doit s'emboîter avec le système de sortie de la hotte, de sorte que l'appareil puisse fonctionner seulement quand le système de sortie de la hotte est en marche.

Mises en service américaines et canadiennes

Se reporter aux codes locaux de la ventilation. En l'absence de codes locaux, se reporter au code national de la ventilation intitulé "Normes pour l'installation d'équipements pour l'enlèvement des fumées et vapeurs grasses provenant d'équipements commerciaux pour la cuisine", NFPA-96-Édition la plus récente.

Mise en service dans les autres pays

L'installation doit respecter les normes nationales et locales, qui varient selon le pays. Si vous avez des questions sur les méthodes d'installation acceptables ou sur le fonctionnement de votre appareil, veuillez communiquer avec votre détaillant. S'il n'y a aucun détaillant dans votre région, veuillez communiquer avec Blodgett Combi au 0011-802-860-3700.



Montage des pieds

OPTIONS

Les pieds sont offerts en différentes longueurs : 101 mm (4 po), 152 mm (6 po) ou 635 mm (25 po) ou avec des roulettes basses.

- Les pieds de 101 mm (4 po) s'adaptent lorsque l'appareil est monté sur un comptoir.
- Les pieds de 152,4 mm (6 po) sont adaptés à la section inférieure lorsque deux appareils sont empilés.
- Les pieds de 635 mm (25 po) sont utilisés pour un seul appareil installé sur un plancher.

REMARQUE: Pour des raisons de sécurité, vous ne devez pas utiliser des roulettes avec les pieds de 635 mm (25 po).

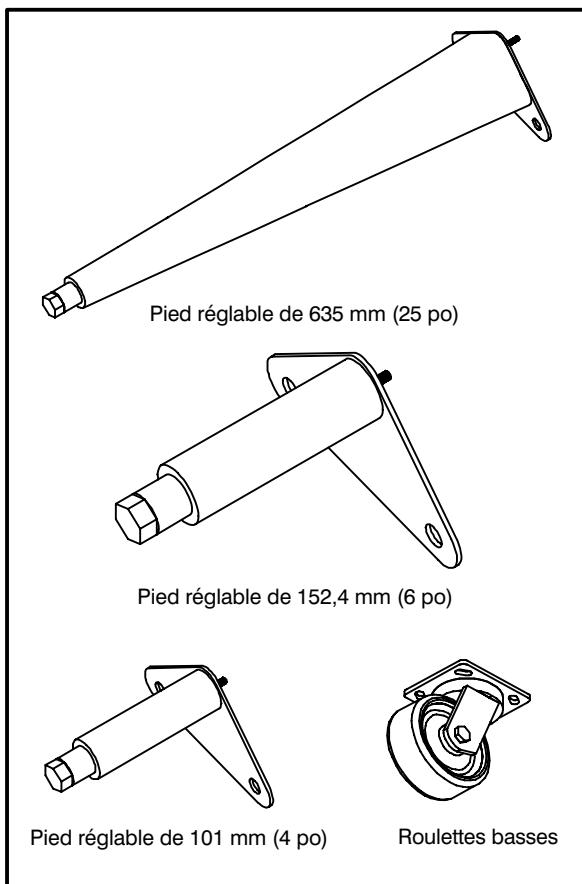


Figure 28

MONTAGE

1. Alignez le goujon fileté situé sur l'un des pieds avant avec le trou de boulon situé au coin inférieur de l'appareil. Tournez le pied dans le sens horaire et serrez jusqu'au tour complet le plus proche.
2. Alignez les trous de la plaque de montage du pied avec les trous de boulon. Fixez solidement au moyen des deux boulons de 1/2 po fournis.
3. Répétez les étapes précédentes pour l'autre pied avant. *Si vous utilisez des roulettes basses, installez les roulettes à frein à l'avant du four. Les roulettes arrière ne se bloquent pas. Assurez-vous que les roulettes avant sont bloquées.*
4. Penchez le four vers l'avant sur les pieds avant que vous venez d'installer. *Si vous venez d'installer des roulettes, assurez-vous que les roulettes avant sont bien bloquées.* Répétez les étapes précédentes pour les pieds arrière.
5. Pour mettre le four de niveau (sauf pour les modèles dotés de roulettes), vissez ou dévissez les pieds réglables selon le cas.

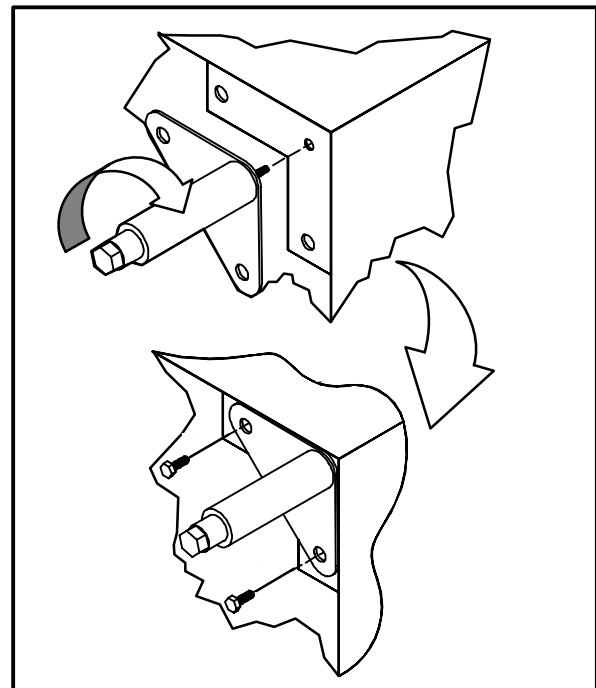


Figure 29



Installation

Accessoire des roulettes

1. Placez un niveau sur le plancher où les roulettes seront installées.
2. Placez des cales sous le côté bas jusqu'à ce qu'il soit de niveau.
3. Montez les cales entre les roulettes et le four comme suit :
 - a.) Alignez les cales et les trous des roulettes avec les trous des boulons.
 - b.) Attachez avec les boulons de 13 mm (1/2 pouce) fournis.

REMARQUE: Il faut les installer avec les roulettes bloquantes à l'avant du four. Les roulettes arrière ne se verrouillent pas. **Assurez-vous que les verrous des roulettes avant sont enclenchés.**

4. Basculez le four vers le haut sur les roulettes nouvellement installées.

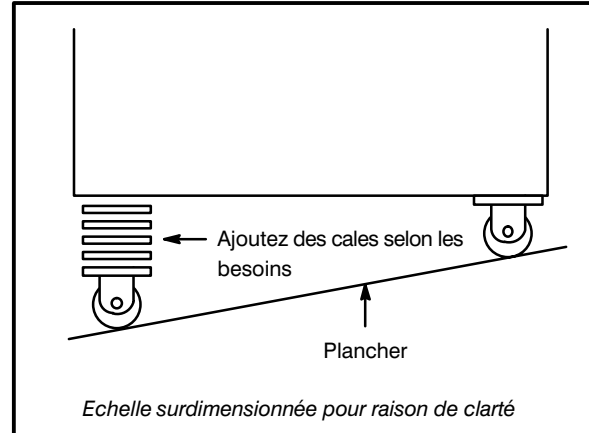


Figure 30



Superposition



ATTENTION !!

Seul un installateur qualifié peut effectuer la superposition des appareils. Les appareils sont lourds. Assurez-vous d'utiliser des outils et des méthodes appropriés pour soulever et superposer les appareils.

1. Posez les pieds ou les roulettes sur l'appareil du bas. Consultez la page 43 ou 44.
2. Placez le four du haut sur le four du bas. Assurez-vous que les quatre côtés sont bien alignés.
3. Retirez les panneaux latéraux du côté gauche du four.
4. Boulonnez les deux fours ensemble à partir du dessous dans les deux cages d'écrou filetées.
5. **APPAREILS À GAZ SEULEMENT** : Fixez les événements à gaz et le collecteur de gaz tel qu'illustré.

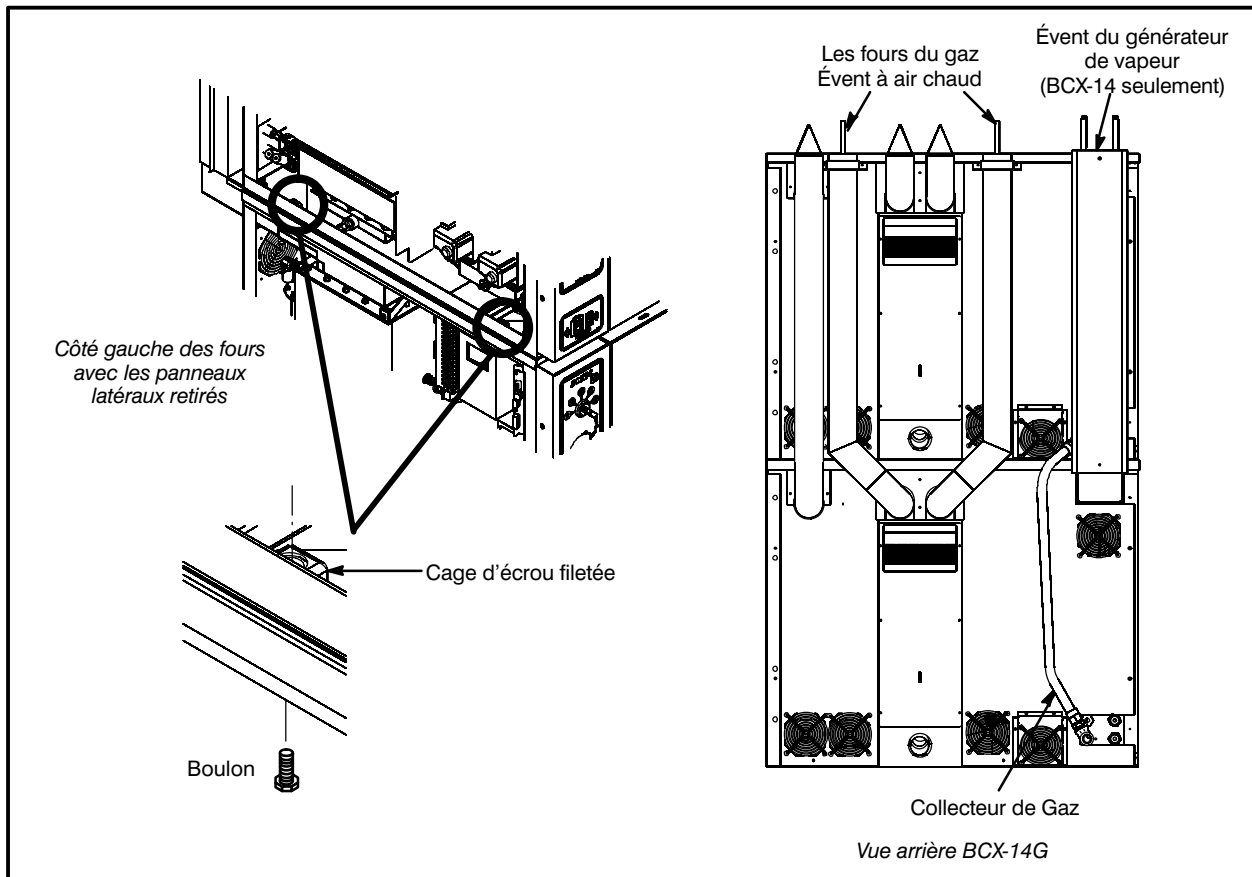


Figure 31



Installation

Raccordement du système de détartrage Unités BCX-14 seulement

1. Poussez le tube de détartrage sur le raccord cannelé à l'arrière du four.



Figure 32

2. Coupez le tube de détartrage à la bonne longueur en vous servant du bas du réservoir de liquide à détartrage fixé en position à titre de guide. Mettez le poids de maintien en place sur l'extrémité réservoir de liquide de détartrage du tube de détartrage.



Figure 33

3. Insérez l'extrémité du tube de détartrage avec le poids de maintien dans le réservoir de solution de détartrage.



Figure 34

4. Amorcez la pompe en mettant le four sous tension, en le réglant au mode de refroidissement graduel (Cool Down), et en gardant enfoncé le bouton d'injection de vapeur sur demande (Steam on Demand). Confirmez que la solution de détartrage circule dans le tube. Cela vous indiquera que la pompe fonctionne convenablement. Relâchez le bouton d'injection de vapeur sur demande (Steam on Demand) une fois que la solution de détartrage a atteint l'arrière du four.

REMARQUE: Au besoin, utilisez les pièces de retenue de flexible et les vis autoperceuses pour acheminer le tube de détartrage de façon à le tenir éloigné des ports d'échappement chauds.



Raccordement de la plomberie

RACCORDEMENT À L'EAU

REMARQUE: L'utilisation d'eau chaude maximise la production de vapeur, mais elle n'est pas obligatoire. Les deux entrées peuvent recevoir de l'eau froide si l'eau chaude n'est pas disponible.

Raccordez l'appareil à une source d'eau propre au moyen d'un boyau de pression muni de raccords de 19 mm GHT (3/4 po). Consultez la Figure 9 pour le raccordement. Prévoyez l'installation d'un robinet d'arrêt à proximité du four.



ATTENTION !!

L'utilisation de l'appareil non équipé du régulateur d'eau annule votre garantie.

Ce produit doit être installé par un plombier ou un monteur d'installations au gaz accrédité, si installé dans le Commonwealth du Massachusetts.

RACCORDEMENT DU DRAIN

Acheminez le drain jusqu'à un fossé de drainage dans le plancher et évitez d'utiliser des boyaux qui

pourraient s'affaisser et entraîner des accumulations d'eau. Le client est responsable de fournir la tuyauterie raccordant le four et le drain.

Raccordement à l'eau et à l'éégout particulier à la ville de Los Angeles

1. Chaque conduite de vidange raccordée à l'appareil doit être acheminée sans déclivité ou fléchissement pour se terminer au-dessus du niveau de trop-plein d'un récipient d'eaux usées indirectes homologué.
2. L'appareil doit être installé conformément aux instructions imprimées du fabricant et aux éditions de 1999 du LAPC et du LAMC.
3. Un dispositif de protection contre le retour d'eau peut être exigé par les codes locaux. Dans ce cas, installez-le sur le système d'eau potable, directement en amont de l'appareil. Ce dispositif doit être l'un des suivants : un reniflard de type anti-vide homologué installé à au moins 12 po au-dessus du point le plus élevé, un disconnecteur à deux clapets de non-retour ou un disconnecteur hydraulique principal à pression réduite.

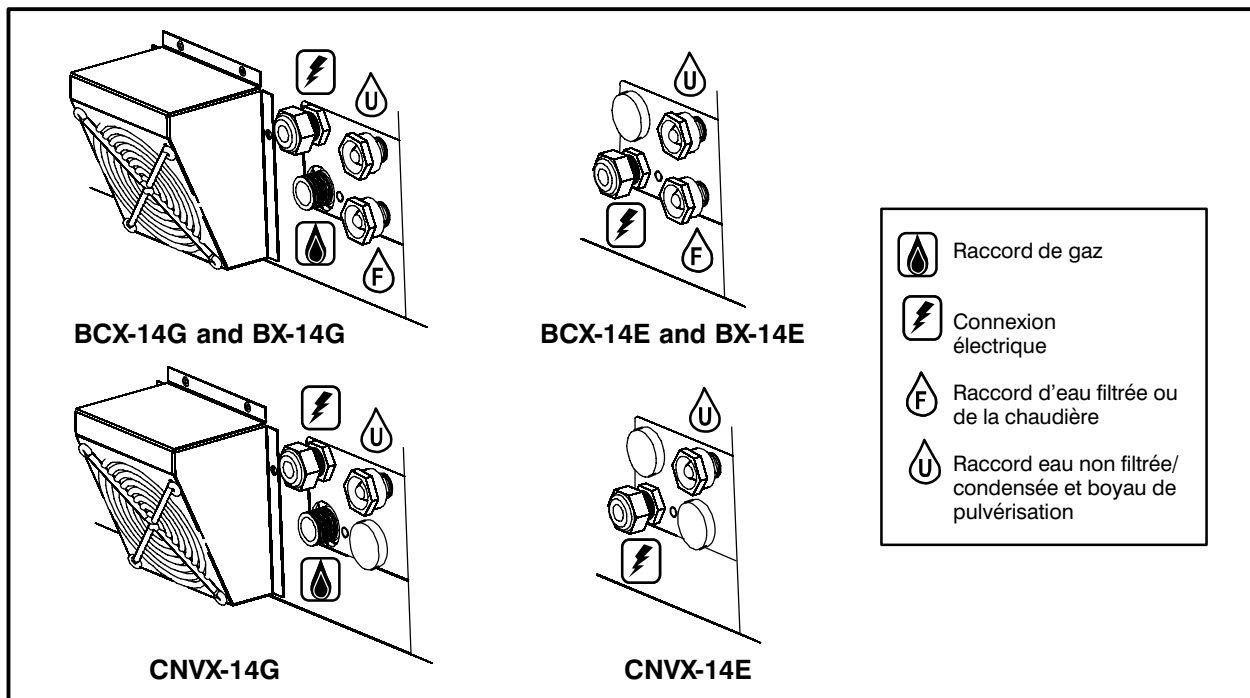


Figure 35



Installation

Raccordement à l'électricité

Tous les modèles

REMARQUE: Seul un technicien qualifié peut effectuer le raccordement à l'électricité.

Avant de procéder au raccordement à l'électricité des appareils, assurez-vous que la source d'alimentation est conforme aux spécifications de tension, d'intensité et de phase indiquées sur la plaque signalétique de l'appareil.

Le disjoncteur raccordé à cet appareil doit être doté de contacts espacés d'au moins 0,076 po (2 mm). Le disjoncteur doit respecter toutes les normes d'installation nationales et locales.

L'installation de tous les appareils doit se conformer aux codes d'électricité nationaux et locaux.

Le schéma de câblage se trouve à l'intérieur du panneau latéral amovible.

REMARQUE: Débranchez la source d'alimentation électrique de l'appareil avant de procéder à l'entretien.



ATTENTION !!

Une installation non conforme annule votre garantie.

Modèles électriques

On doit acheminer le conduit de vidange jusqu'à un drain d'évacuation de plancher ouvert. De plus, il faut éviter d'utiliser en guise de conduit de vidange un boyau flexible, qui peut s'affaisser et y entraîner l'accumulation d'eau piégée. Il incombe au client de fournir la tubulure du four au drain.

Modèles à gaz

Installations canadiennes et américaines

Un 115V ou 230V cordon d'alimentation muni d'une fiche est fourni avec l'appareil. Branchez la fiche dans une prise de courant appropriée.



ATTENTION !!

Si le cordon d'alimentation est endommagé, remplacez-le par un cordon spécial ou un dispositif fourni par le fabricant ou par un réparateur reconnu.



Installation

Raccordement au gaz

CONDUITE DE GAZ

Il est essentiel d'avoir un circuit d'alimentation en gaz approprié afin que le four puisse donner un rendement maximal. Les dimensions de la tuyauterie doivent permettre d'assurer une alimentation en gaz suffisant pour satisfaire à la demande maximale de tous les appareils en service, et ce sans perte de pression.

Exemple :

REMARQUE: Les valeurs indiquées en BTU à titre d'exemple s'appliquent au gaz naturel.

Supposons que vous achetez un appareil BCX-14G pour accroître votre capacité de cuisson.

1. Additionnez les puissances nominales en BTU des appareils déjà en place.

Friteuse Pitco	120 000 BTU
Cuisinière à 6 éléments	60 000 BTU
Four à pont	50 000 BTU
Total	230 000 BTU

2. À ce total, ajoutez la puissance nominale en BTU du nouveau four.

Total précédent	230 000 BTU
BCX-14G	115 000 BTU
Nouveau total	345 000 BTU

3. Mesurez la distance du compteur de gaz jusqu'aux appareils de cuisson pour obtenir la longueur du tuyau. Supposons que la longueur de tuyau soit de 30 pi (9 m) et que le tuyau possède un diamètre de 1 po (2,54 cm).

4. Utilisez la table de calcul appropriée pour déterminer la capacité totale de votre conduite de gaz actuelle.

Dans cet exemple, la capacité totale est de 375 000 BTU. Puisque la pression totale de gaz nécessaire est de 345 000 BTU, donc inférieure à 375 000 BTU, il n'est pas nécessaire pour l'instant d'augmenter la tuyauterie actuellement en place.

REMARQUE: Les capacités en BTU indiquées dans ces tableaux sont valables pour les tuyaux droits seulement. L'ajout de coudes et de raccords courbés diminue la capacité de la tuyauterie. Par exemple, un raccord en L de nomenclature 40 de 1-1/2 po possède une capacité équivalente à un tuyau droit de 4,2 po (10,2 cm). Renseignez-vous auprès de votre fournisseur

en gaz local si vous avez des questions à ce sujet.

Capacité maximale en gaz naturel d'une tuyauterie en fer en pieds cubes à l'heure (Chute de pression de 0,5 po de colonne d'eau)

Longueur du tuyau (pi)	Dimensions nominales (po)				
	3/4 po	1 po	1 1/4 po	1 1/2 po	2 po
10	360	680	1 400	2 100	3 950
20	250	465	950	1 460	2 750
30	200	375	770	1 180	2 200
40	170	320	660	990	1 900
50	151	285	580	900	1 680
60	138	260	530	810	1 520
70	125	240	490	750	1 400
80	118	220	460	690	1 300
90	110	205	430	650	1 220
100	103	195	400	620	1 150

Extrait du National Fuel Gas Code, partie 10, tableau 10-2

Capacité maximale de la conduite en milliers de BTU/h de gaz PP non dilué à 11 po de colonne d'eau

(Chute de pression de 0,5 po de colonne d'eau)

Longueur du tuyau (pi)	Diamètre interne (po)		
	3/4 po	1 po	1 1/2 po
10	608	1 146	3 525
20	418	788	2 423
30	336	632	1 946
40	287	541	1 665
50	255	480	1 476
60	231	435	1 337
70	215	404	1 241
80	198	372	1 144
90	187	351	1 079
100	175	330	1 014

Extrait du National Fuel Gas Code, partie 10, tableau 10-15



Installation

Raccordement au gaz

RÉGULATION DE LA PRESSION ET ESSAIS

Évaluez la pression d'alimentation du gaz pour chaque appareil lorsque les brûleurs sont allumés. Il doit y avoir une pression suffisante à l'entrée pour répondre aux normes. Consultez le tableau ci-dessous pour connaître la pression de gaz qui convient.

Chaque appareil est réglé en usine de manière à fonctionner avec le type de gaz indiqué sur la plaque signalétique.

Chaque four est muni d'un détendeur qui maintient le gaz à la bonne pression. **Ce détendeur est essentiel au bon fonctionnement du four et ne doit jamais être débranché.**

N'INSTALLEZ PAS UN DEUXIÈME DÉTENDEUR AU POINT DE CONNEXION DU GAZ À MOINS QUE LA PRESSION D'ALIMENTATION SOIT SUPÉRIEURE À 14 PO DE LA COLONNE D'EAU (1/2 LB/PO²) (37 mbars).

Pendant les essais de pression, débranchez le four ainsi que son robinet d'arrêt de la tuyauterie d'alimentation en gaz si la pression d'essai est supérieure à 1/2 lb/po² (3,45 kPa).

Isolez le four de la tuyauterie d'alimentation en gaz en fermant son robinet d'arrêt pendant les essais de

pression de la tuyauterie de gaz si la pression d'essai est égale ou inférieure à 1/2 lb/po² (3,45 kPa).

Avant de raccorder les tuyaux d'alimentation en gaz de l'appareil, videz complètement les tuyaux de toutes particules métalliques et de tout déchet. Après le branchement, inspectez l'appareil afin de vous assurer que la pression de gaz est appropriée.

Installations américaines et canadiennes

L'installation doit respecter les normes locales ou, en l'absence de telles normes, les règlements suivants : *National Fuel Gas Code, NFPA54/ANSI Z223.1 – dernière édition, le Code d'installation du gaz naturel CAN/CGA-B149.1* ou le *Code d'installation du propane, CAN/CGA-B149.2*, selon le cas.

Installation dans les autres pays

L'installation doit respecter les normes nationales et locales. Les normes d'installation locales ou les règlements peuvent varier. Si vous avez des questions concernant les méthodes d'installation acceptables ou sur le fonctionnement de votre appareil, veuillez communiquer avec votre détaillant local. S'il n'y a aucun détaillant local dans votre région, veuillez communiquer avec Blodgett Combi au 0011-802-860-3700.

PRESSION DE GAZ					
Type de gaz	Pression d'alimentation	Dimensions de l'orifice au niveau de la mer		Pression d'admission	
		Air chaud	Vapeur	Air chaud	Vapeur
BCX-14G					
Naturel	7–14 po de colonne d'eau	0,0531 po de diamètre	0,042 po de diamètre	3,5 po de colonne d'eau	3,5 po de colonne d'eau
Propane	12–14 po de colonne d'eau	0,032 po de diamètre	0,026 po de diamètre	10,0 po de colonne d'eau	10,0 po de colonne d'eau
BX-14G et CNVX-14G					
Naturel	7–14 po de colonne d'eau	0,0531 po de diamètre	–	3,5 po de colonne d'eau	–
Propane	12–14 po de colonne d'eau	0,032 po de diamètre	–	10,0 po de colonne d'eau	–



Câble d'immobilisation du tuyau à gaz

Si l'appareil est monté sur des roulettes, utilisez un connecteur flexible ordinaire dont le diamètre interne est d'au moins 1,9 cm (3/4 po) ainsi qu'un raccord rapide.

Un câble d'immobilisation doit être utilisé pour limiter le mouvement de l'appareil de manière à ce que le connecteur flexible ne subisse aucune tension. Attachez le câble au bâti du four le plus près possible du connecteur flexible. Le câble doit être assez court pour empêcher toute tension sur le connecteur. Lorsque le câble est pleinement étiré, il devrait être facile d'installer le connecteur et de le brancher à l'aide du raccord rapide.

Le câble (de fort calibre) doit être installé sans endommager l'immeuble. N'UTILISEZ PAS la conduite de gaz ou les câbles électriques pour ancrer l'extrémité permanente du câble d'immobilisation! Utilisez des boulons d'ancrage vissés dans le béton ou dans un bloc de béton. Pour les murs de bois, utilisez des vis d'ancrage robustes dans les montants des murs.



ATTENTION !!

Si le câble est enlevé pour quelque raison que ce soit, installez-le de nouveau une fois l'appareil remis en place.

Installations américaines et canadiennes

Le connecteur doit respecter la norme *Standard for Connectors for Movable Gas Appliances, ANSI Z21.69* ou *Connectors For Moveable Gas Appliances CAN/CGA-6.16* et le raccord rapide doit respecter la *Standard for Quick-Disconnect Devices for Use With Gas Fuel, ANSI Z21.41* ou *Quick Disconnect For Use With Gas Fuel CAN 1-6.9*. Prévoyez des mesures adéquates pour limiter le mouvement de l'appareil sans compter exclusivement sur le connecteur et le raccord rapide ou sur la conduite connexe.

Chaque appareil doit être muni d'un collecteur de condensats. Consultez *NFPA54/ANSI Z223.1 - dernière édition* (National Fuel Gas Code) pour connaître les méthodes d'installation d'un collecteur de condensats.

Installation dans un autre pays

L'installation doit respecter les normes nationales et locales. Les normes d'installation locales ou les règlements peuvent varier. Si vous avez des questions concernant les méthodes d'installation acceptables ou le fonctionnement de votre appareil, veuillez communiquer avec votre détaillant local. S'il n'y a aucun détaillant dans votre région, veuillez communiquer avec Blodgett Combi au 0011-802-860-3700.

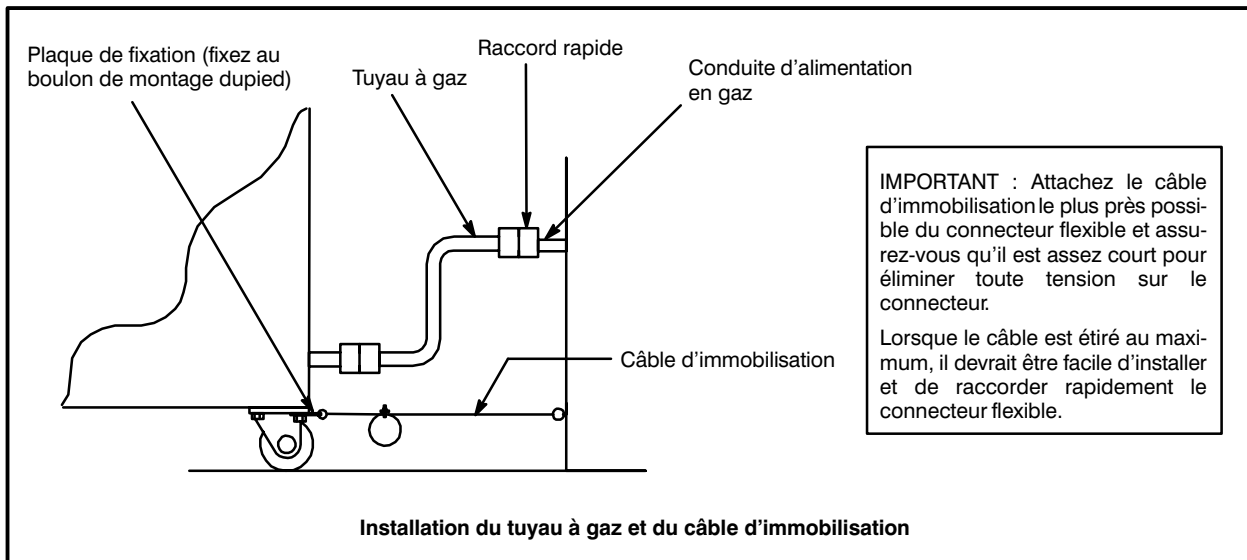


Figure 36



Installation

Ajustements

Avant de mettre l'appareil sous tension pour la première fois, effectuez les vérifications suivantes:

- Toutes les normes de sécurité ont été respectées et les connexions électriques sont appropriées.
- Le raccordement à l'eau est en place et en service et tous les raccords d'eau sont étanches.
- Les supports de plat sont insérés dans la cavité du four.
- On a retiré le carton de la cavité du four.
- Si l'unité est au gaz, on a ouvert l'alimentation de gaz.

AJUSTEMENT DE LA PORTE

On peut rectifier le loquet de la porte vers l'intérieur et l'extérieur en suivant les instructions ci-dessous:

1. Faites basculer la gaine caoutchoutée sur le loquet vers vous.
2. Desserrez le contre-écrou pour effectuer une rectification.
3. Faites tourner le loquet dans le sens horaire ou antihoraire pour obtenir une rectification appropriée.
4. Resserrez le contre-écrou en vous assurant que le loquet est vertical.
5. Faites rebasculer la gaine caoutchoutée en position.

On peut également rectifier les charnières comme suit :

1. Desserrez les deux boulons 1/4-20 sur le dessus de la plaque à charnières et les deux boulons sur la plaque à charnières inférieure.
2. Appliquez une pression sur les coins de la porte afin d'obtenir une étanchéité adéquate. Tout en poussant, serrez les boulons en place.

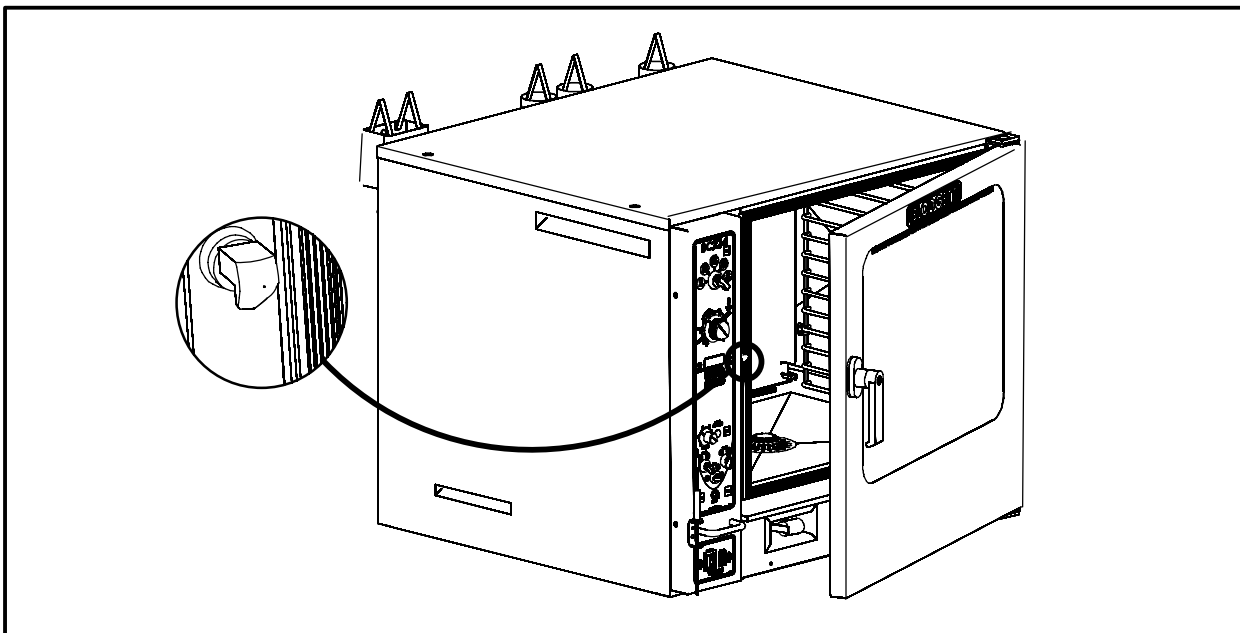


Figure 37



Liste de vérification finale



ATTENTION !!

Seul un installateur qualifié peut effectuer les étapes suivantes de la liste de vérification.

COMPARTIMENT DES COMMANDES ÉLECTRIQUES

- La tension de l'alimentation électrique de l'appareil est conforme aux spécifications énoncées sur la plaque.

VÉRIFICATION FINALE DE LA TUYAUTERIE

- La pression d'entrée de l'eau est conforme aux spécifications de l'appareil.
- Le drain de mise à l'air libre est en place.
- Les conduites d'alimentation en eau sont en place et ne fuient pas.
- Assurez-vous de l'écartement approprié tel que le détaille la page 42.
- On a amorcé le système de détartrage. BCX-14 seulement.

ESSAIS DE FONCTIONNEMENT DU FOUR


REMARQUE: Le client ou le réparateur agréé doivent effectuer les vérifications suivantes.

Mode de refroidissement

- Assurez-vous que le ventilateur fonctionne lorsque la porte est ouverte.

Mode Steam (vapeur) – BCX-14 et BX-14 seulement

Réglez l'appareil sur le mode STEAM et vérifiez les points suivants:

- Le voyant Heat demand [demande de chaleur] est en marche.
- Le voyant de demande de chaleur s'éteint à 100°C (212°F) environ.
- Réglez la minuterie pour 1 minute en appuyant sur la touche flèche haut. Appuyez sur  pour amorcer le compte à rebours. Assurez-vous que le signal sonore se fait entendre lorsque le temps s'est écoulé.
- Le voyant Run (fonctionnement) s'allume.
- L'appareil produit de la vapeur, le hublot est embué, le joint de la porte ne laisse échapper aucune fuite.

Mode Combi (combinaison) – BCX-14 et BX-14 seulement

Réglez l'appareil sur le mode COMBI (combinaison), réglez le thermostat sur 177°C (350°F) et vérifiez les points suivants:

- Le voyant de demande de chaleur est en marche.
- Le four se réchauffe.
- Le voyant de demande de chaleur s'éteint à 177°C (350°F) et le four reste à la température de 177°C (350°F).
- Le ventilateur s'arrête lorsque la porte est ouverte.



Installation

Liste de vérification finale

Mode Hot Air (air chaud) – Tous les modèles

Réglez l'appareil sur le mode Hot Air (air chaud) et réglez le thermostat sur 204°C (400°F), et vérifiez les points suivants:

- Le voyant d'appel de chaleur est allumé.
- Le four chauffe bien.
- Le voyant de chaleur s'éteint à 204°C (400°F) et le four conserve une température de 204°C (400°F).
- Le ventilateur s'arrête à l'ouverture de la porte.

Mode Steam on Demand (vapeur sur demande) – BCX-14 et BX-14 seulement

Réglez l'appareil sur le mode Hot Air [air chaud]. Réglez la vapeur sur demande pour 1 minute. Appuyez sur le bouton de vapeur sur demande et vérifiez les points suivants:

- Le voyant de vapeur sur demande est allumé.
- Le voyant de vapeur sur demande s'éteint au bout de 1 minute environ.

Éclairage

- Faites tourner le commutateur pour vous assurer que l'éclairage s'allume.

Évent de cavité

- Faites tourner le commutateur pour vous assurer que l'évent s'ouvre et se ferme.

Vitesse du ventilateur

- Faites tourner le commutateur pour vous assurer que toutes les vitesses du ventilateur fonctionnent convenablement.



Renseignements sur la sécurité des appareils au gaz

Les renseignements contenus dans la présente section sont destinés au personnel d'exploitation qualifié, c.-à-d. les personnes qui ont soigneusement lu ce manuel et qui se sont familiarisées avec les fonctions du four ou qui détiennent de l'expérience dans le fonctionnement de l'appareil décrit. Le respect des procédures décrites dans le présent manuel assurera un rendement optimal et une utilisation sans problèmes sur une longue période.

Veuillez prendre le temps de lire les présentes consignes de sécurité et de fonctionnement. Elles sont essentielles à une bonne utilisation de votre appareil Combi de Blodgett.



CONSEILS DE SÉCURITÉ

Pour assurer votre sécurité, veuillez lire le présent manuel avant d'utiliser l'appareil.

Que faire si vous percevez une odeur de gaz :

- N'ESSAYEZ PAS de mettre un appareil en marche.
- NE TOUCHEZ à aucun interrupteur électrique.
- Utilisez un téléphone qui se trouve hors de l'immeuble pour appeler immédiatement votre fournisseur de gaz.
- Si vous ne pouvez pas communiquer avec votre fournisseur de gaz, appelez le service des incendies.

Que faire en cas de panne de courant :

- Placez tous les commutateurs à la position OFF.
- NE TENTEZ PAS de faire fonctionner votre appareil avant le rétablissement du courant.

REMARQUE: Dans l'éventualité d'un arrêt quelconque, attendez cinq (5) minutes avant de tenter de refaire fonctionner le four.

Conseils généraux de sécurité :

- N'UTILISEZ PAS des outils pour fermer la commande du gaz. Si vous ne parvenez pas à couper manuellement le gaz, n'essayez pas de réparer la commande. Appelez un technicien qualifié.
- Si vous devez déplacer le four pour quelque raison que ce soit, fermez la commande du gaz et déconnectez le tuyau d'admission avant d'enlever le câble d'immobilisation. Rebranchez ce câble une fois le four remis en place.
- NE RETIREZ PAS le couvercle du panneau de commande sans avoir débranché le four.



Fonctionnement

Interrupteurs généraux

IDENTIFICATION DES COMMANDES

1. **INTERRUPTEUR DE LA COMMANDE DE CHAUFFAGE**

Fours au gaz – Sert à ouvrir ou fermer l'alimentation du gaz.

Fours électriques – Sert à mettre les éléments sous ou hors tension.

2. **DISJONCTEUR** – Sert à mettre le four sous ou hors tension.

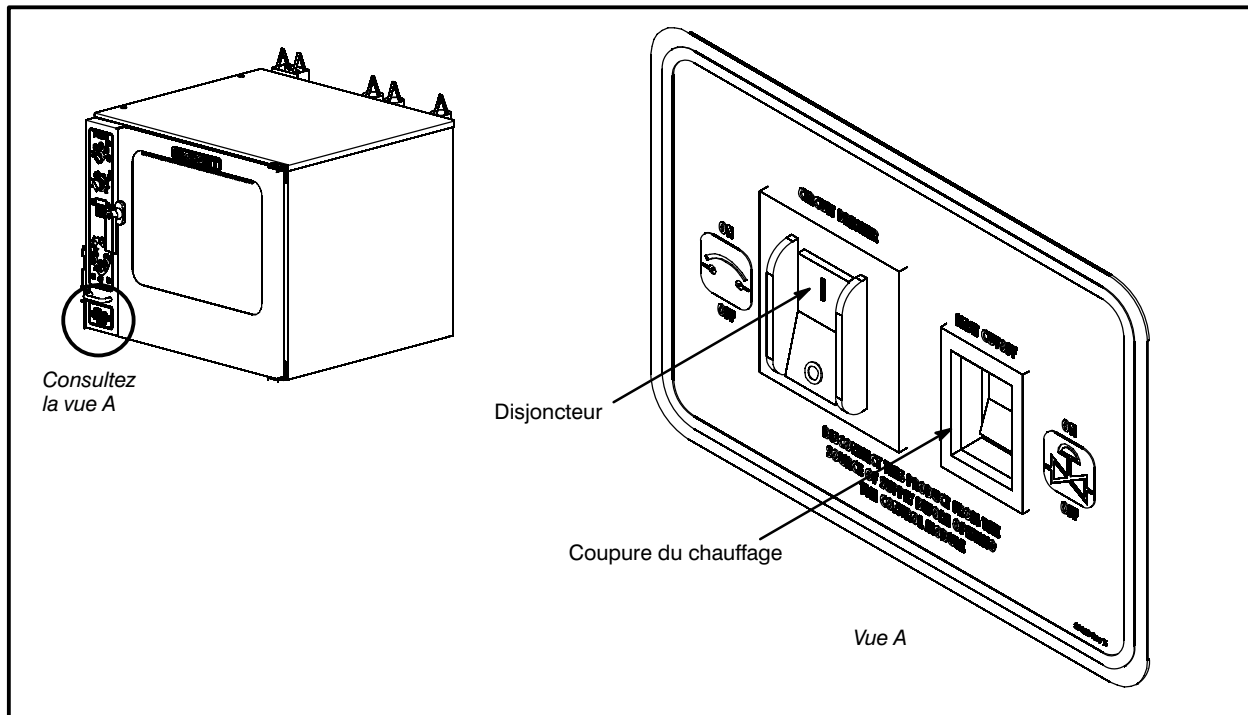


Figure 38



Commandes standard for Models BCX-14 and BX-14

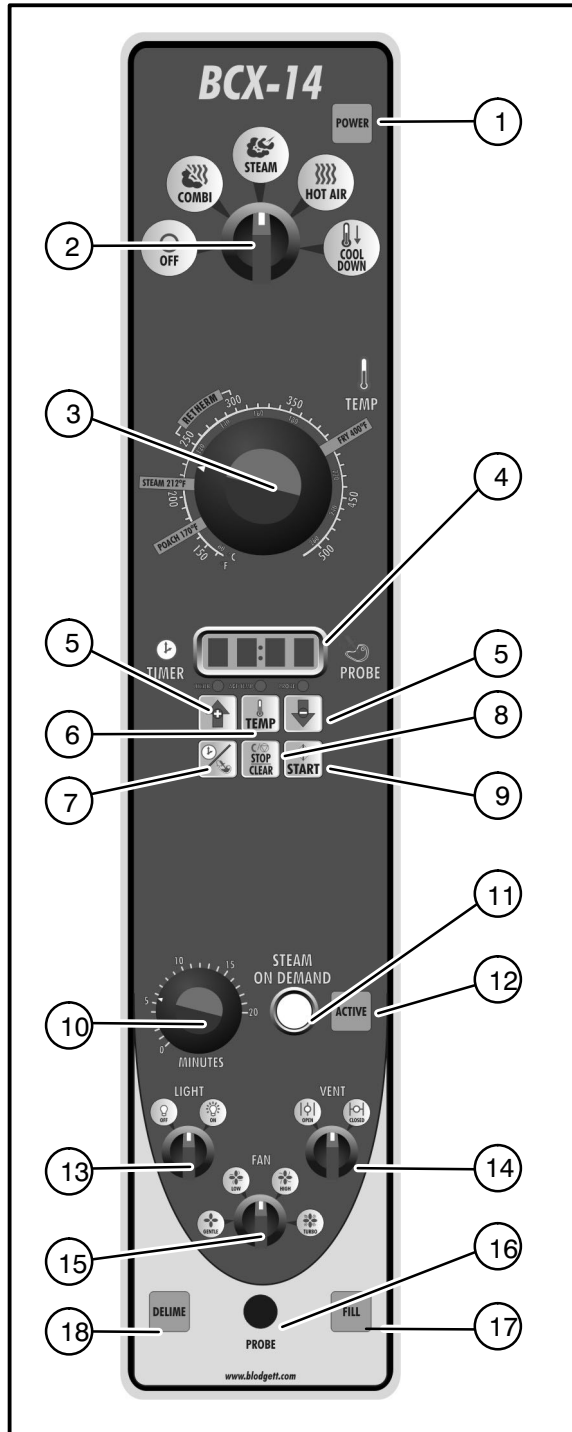


Figure 39

IDENTIFICATION DES COMMANDES

1. **TÉMOIN LUMINEUX DE MISE SOUS TENSION** – Lorsque allumé, ce témoin indique que le four est sous tension.
2. **COMMUTATEUR DE SÉLECTION DE MODE** – Met le four sous ou hors tension. Permet de sélectionner entre les modes de cuisson à la vapeur (Steam), à l'air chaud (Hot Air), ou combinaison (Combi), ou de refroidissement graduel (Cool Down).
3. **CADRAN DE SÉLECTION DE TEMPÉRATURE** – Permet de sélectionner la température de cuisson désirée.
4. **ÉCRAN D'AFFICHAGE** – Affiche le temps de cuisson et la température.
5. **TOUCHES FLÈCHE HAUT ET BAS** – Appuyez sur ces touches pour saisir des valeurs à l'écran d'affichage.
6. **TOUCHE DE LA TEMPÉRATURE ACTUELLE** – Appuyez sur cette touche pour faire afficher la température actuelle à la sonde au cœ r d'un produit durant la cuisson ou la température actuelle de la cavité en mode de minuterie.
7. **COMMUTATEUR À BASCULE DE SÉLECTION MINUTERIE-SONDE** – Permet de sélectionner la cuisson en mode minuterie ou par sonde.
8. **TOUCHE D'EFFACEMENT OU D'ARRÊT** – Permet d'effacer ou d'arrêter la minuterie, et d'arrêter le signal sonore.
9. **TOUCHE DE DÉMARRAGE** – Appuyez sur cette touche pour démarrer la minuterie.
10. **MINUTERIE POUR VAPEUR SUR DEMANDE** – Sert à régler la durée pour la génération de vapeur sur demande.
11. **COMMUTATEUR DE GÉNÉRATION DE VAPEUR SUR DEMANDE** – Sert à amorcer le cycle d'injection de vapeur.
12. **TÉMOIN LUMINEUX DU MODE DE GÉNÉRATION DE VAPEUR SUR DEMANDE** – S'allume lorsqu'on actionne le mode de génération de vapeur sur demande.
13. **COMMUTATEUR DE L'ÉCLAIRAGE** – Sert à allumer ou à éteindre l'éclairage.
14. **COMMUTATEUR DE L'ÉVÉNEMENT DE LA CAVITÉ** – Permet d'ouvrir ou fermer l'évent servant à évacuer la vapeur de la cavité.



Fonctionnement

Commandes standard for Models BCX-14 and BX-14

15. **COMMUTATEUR DE LA VITESSE DU VENTILATEUR** – Permet de sélectionner la vitesse du ventilateur.
16. **RACCORDEMENT DE LA SONDÉ** : Sert à raccorder la sonde de température à la commande.
17. **TÉMOIN LUMINEUX DE REMPLISSAGE DU RÉSERVOIR D'EAU** – S'allume jusqu'à ce qu'on remplisse le générateur de vapeur avec de l'eau.

REMARQUE: Les fours de modèle BX-14 n'ont pas de témoin lumineux de remplissage.

18. **TÉMOIN LUMINEUX DU DÉTARTRAGE (Four BCX-14G seulement)** – Clignote lorsqu'il faut détartrer le générateur de vapeur. Reste continuellement allumé durant le processus de détartrage.

TÉMOIN LUMINEUX DE NETTOYAGE (fours BX-14 seulement) – Clignote lorsque l'unité est utilisée depuis une période préprogrammée et doit être nettoyée.

CUISSON EN MODE MINUTERIE

1. Appuyez sur le **COMMUTATEUR À BASCULE DE SÉLECTION MINUTERIE-SONDE (7)** pour sélectionner le mode de cuisson par minuterie. La **DÉL MINUTERIE** s'allume sous l'écran d'affichage.

2. Tournez le commutateur de **SÉLECTION DE MODE (2)** à la fonction désirée.
3. Réglez le **CADRAN DE SÉLECTION DE TEMPÉRATURE (3)** à la température de cuisson désirée.

En mode de génération de vapeur, réglez la température au maximum à 100°C (212°F).

Pour faire pocher les aliments, réglez le cadran de température à la position de pochage (POACH), soit à 82°C (180°F).

La température optimale en mode Combi tombe entre 149 et 177°C (300 et 350°F).

4. Une fois que le four a atteint la température de cuisson, chargez le produit.
5. Utilisez les **TOUCHES FLÈCHE (5)** pour saisir le temps de cuisson désiré à l'écran d'affichage. Vous pouvez effacer le contenu de celui-ci en appuyant sur la touche d'effacement et d'arrêt (CLEAR/STOP) (8).

6. Appuyez sur la touche de démarrage (START) (9) pour démarrer la minuterie. On peut modifier la température, la durée et le mode en tout temps durant le processus de cuisson. Pour arrêter la minuterie, appuyez sur la touche d'effacement et d'arrêt (CLEAR/STOP) (8).
7. Lorsque la minuterie atteint 00:00, le signal sonore se déclenche. Appuyez sur la touche d'effacement et d'arrêt (CLEAR/STOP) (8) afin d'arrêter le signal sonore. Retirez le produit du four.

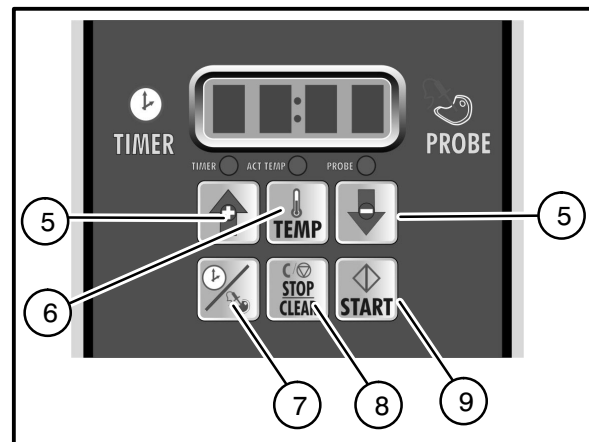


Figure 40

CUISSON À LA SONDÉ

1. Appuyez sur le **COMMUTATEUR À BASCULE DE SÉLECTION MINUTERIE-SONDE (7)** pour sélectionner le mode de cuisson à la sonde. La **DÉL SONDE** s'allume sous l'écran d'affichage.
2. Utilisez les **TOUCHES FLÈCHE (5)** pour saisir la température de cuisson finale désirée à l'écran d'affichage. Vous pouvez effacer le contenu de celui-ci en appuyant sur la touche d'effacement et d'arrêt (CLEAR/STOP) (8).
3. Insérez la sonde de température dans le produit. Chargez le produit dans le four et fermez la porte. Assurez-vous que l'embout de la sonde se trouve à l'extérieur du four et suffisamment éloigné de la porte.
4. Raccordez la sonde à la **CONNEXION DE SONDÉ (PROBE) (16)** au bas de la commande.



Commandes standard for Models BCX-14 and BX-14

5. L'écran d'affichage indique la température réelle à la sonde au cour d'un produit en cuisson.
6. Lorsque le cour du produit atteint la température de cuisson finale, le signal sonore se déclenche.

REFROIDISSEMENT GRADUEL

REMARQUE: Le four peut se refroidir rapidement en prévision de génération de vapeur, de nettoyage, etc.

1. Pour faire refroidir la cavité du four, ouvrez la porte et sélectionnez l'option de refroidissement graduel (COOL DOWN) sur le commutateur de SÉLECTION DE MODE (2).

GÉNÉRATION DE VAPEUR SUR DEMANDE

Comment mettre en service la fonction de génération de vapeur sur demande

En mode de cuisson à l'air chaud ou Combi, on peut mettre en service la génération de vapeur pour une période minutée. À la fin de la période minutée, le four revient à la fonction d'origine. On peut utiliser la génération de vapeur sur demande en tout temps durant le cycle de cuisson.

REMARQUE: Il est impossible de mettre en service la vapeur sur demande en mode de génération de vapeur.

1. Réglez la durée de production de vapeur désirée à l'aide de la minuterie de vapeur sur demande (STEAM ON DEMAND TIMER (10)).
2. Appuyez sur le commutateur de vapeur sur demande (STEAM ON DEMAND SWITCH) (11). Le témoin lumineux de vapeur sur demande (STEAM ON DEMAND LAMP) (12) s'allume.



Figure 41

Exemples d'utilisation de la génération de vapeur sur demande :

La plupart de ces idées proviennent de l'esprit créatif de nos clients. Essayez vous-même cette fonction et dites-nous si vous trouvez de nouveaux emplois.

- Ajoutez une ou deux minutes au début de la cuisson du pain pour obtenir une croûte brillante.
- Démarrez les grosses fournées, par exemple de 20 poulets ou plus. En commençant les grosses fournées avec 5 à 8 minutes de vapeur, vous aidez le four à se rétablir et vous diminuez le temps de cuisson de plus de 10 %.
- Cuisez les petits pains en couronne sans les bouillir. En commençant leur cuisson avec 1 ou 2 minutes de vapeur, vous pouvez obtenir une croûte splendide.
- La crème caramel est extra à 230 – 250°F dans le mode Combi avec 2 minutes de vapeur sur demande.
- Lorsque vous cuisez des ailettes de poulet, essayez de régler le four dans le mode Combi à 375°F et utilisez 3 minutes de Vapeur sur demande. Cette méthode empêche les extrémités de brûler. La durée totale de la cuisson est d'environ 12 minutes.
- Les côtes de porc ont tendance à être plus moelleuses avec la Vapeur sur demande pendant 5 à 8 minutes. Essayez-les dans le mode Combi à 350°F.



Fonctionnement

Commandes standard pour les modèles CNVX-14

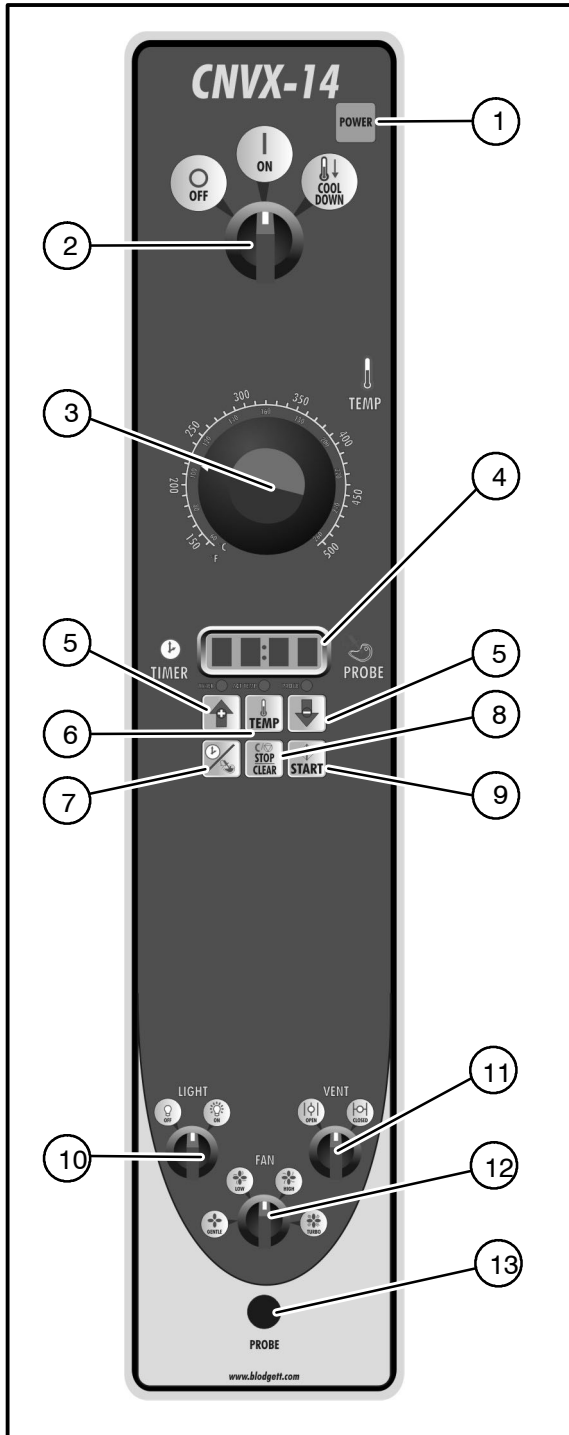


Figure 42

IDENTIFICATION DES COMMANDES

1. **TÉMOIN LUMINEUX DE MISE SOUS TENSION** – Lorsque allumé, ce témoin indique que le four est sous tension.
2. **COMMUTATEUR DE SÉLECTION DE MODE** – Met le four sous ou hors tension. Permet de sélectionner entre les modes à l'air chaud (Hot Air) ou de refroidissement graduel (Cool Down).
3. **CADRAN DE SÉLECTION DE TEMPÉRATURE** – Permet de sélectionner la température de cuisson désirée.
4. **ÉCRAN D'AFFICHAGE** – Affiche le temps de cuisson et la température.
5. **TOUCHES FLÈCHE HAUT ET BAS** – Appuyez sur ces touches pour saisir des valeurs à l'écran d'affichage.
6. **TOUCHE DE LA TEMPÉRATURE ACTUELLE** – Appuyez sur cette touche pour faire afficher la température actuelle à la sonde au cour d'un produit durant la cuisson ou la température actuelle de la cavité en mode de minuterie.
7. **COMMUTATEUR À BASCULE DE SÉLECTION MINUTERIE-SONDE** – Permet de sélectionner la cuisson en mode minuterie ou par sonde.
8. **TOUCHE D'EFFACEMENT OU D'ARRÊT** – Permet d'effacer ou d'arrêter la minuterie, et d'arrêter le signal sonore.
9. **TOUCHE DE DÉMARRAGE** – Appuyez sur cette touche pour démarrer la minuterie.
10. **COMMUTATEUR DE L'ÉCLAIRAGE** – Sert à allumer ou à éteindre l'éclairage.
11. **COMMUTATEUR DE L'ÉVENT DE LA CAVITÉ** – Permet d'ouvrir ou fermer l'évent servant à évacuer la chaleur de la cavité.
12. **COMMUTATEUR DE LA VITESSE DU VENTILATEUR** – Permet de sélectionner la vitesse du ventilateur.
13. **RACCORDEMENT DE LA SONDÉ** : Sert à raccorder la sonde de température à la commande.



Commandes standard pour les modèles CNVX-14

CUISSON EN MODE MINUTERIE

1. Appuyez sur le COMMUTATEUR À BASCULE DE SÉLECTION MINUTERIE-SONDE (7) pour sélectionner le mode de cuisson par minuterie. La DÉL MINUTERIE s'allume sous l'écran d'affichage.
2. Tournez le commutateur de SÉLECTION DE MODE (2) à la fonction l'air chaud.
3. Réglez le CADRAN DE SÉLECTION DE TEMPÉRATURE (3) à la température de cuisson désirée.
4. Une fois que le four a atteint la température de cuisson, chargez le produit.
5. Utilisez les TOUCHES FLÈCHE (5) pour saisir le temps de cuisson désiré à l'écran d'affichage. Vous pouvez effacer le contenu de celui-ci en appuyant sur la touche d'effacement et d'arrêt (CLEAR/STOP) (8).
6. Appuyez sur la touche de démarrage (START) (9) pour démarrer la minuterie. On peut modifier la température, la durée et le mode en tout temps durant le processus de cuisson. Pour arrêter la minuterie, appuyez sur la touche d'effacement et d'arrêt (CLEAR/STOP) (8).
7. Lorsque la minuterie atteint 00:00, le signal sonore se déclenche. Appuyez sur la touche d'effacement et d'arrêt (CLEAR/STOP) (8) afin d'arrêter le signal sonore. Retirez le produit du four.

CUISSON À LA SONDE

1. Appuyez sur le COMMUTATEUR À BASCULE DE SÉLECTION MINUTERIE-SONDE (7) pour sélectionner le mode de cuisson à la sonde. La DÉL SONDE s'allume sous l'écran d'affichage.
2. Utilisez les TOUCHES FLÈCHE (5) pour saisir la température de cuisson finale désirée à l'écran d'affichage. Vous pouvez effacer le contenu de celui-ci en appuyant sur la touche d'effacement et d'arrêt (CLEAR/STOP) (8).
3. Insérez la sonde de température dans le produit. Chargez le produit dans le four et fermez la porte. Assurez-vous que l'embout de la sonde se trouve à l'extérieur du four et suffisamment éloigné de la porte.
4. Raccordez la sonde à la CONNEXION DE SONDE (PROBE) (13) au bas de la commande.
5. L'écran d'affichage indique la température réelle à la sonde au cours d'un produit en cuisson.
6. Lorsque le cours du produit atteint la température de cuisson finale, le signal sonore se déclenche.

REFROIDISSEMENT GRADUEL

REMARQUE: Le four peut se refroidir rapidement en prévision de génération de vapeur, de nettoyage, etc.

1. Pour faire refroidir la cavité du four, ouvrez la porte et sélectionnez l'option de refroidissement graduel (COOL DOWN) sur le commutateur de SÉLECTION DE MODE (2).

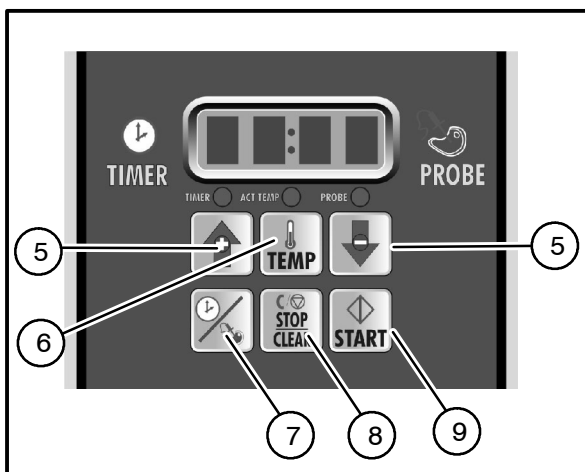


Figure 43



Entretien

Procédure de fonctionnement du pulvérisateur

REMARQUE: Utilisez seulement un produit nettoyant/dégraissant de four commercial avec le pulvérisateur. IL NE FAUT PAS utiliser de produit chimique qui n'est pas conçu pour nettoyer les fours. Reportez-vous aux informations du fabricant du produit chimique pour son emploi anticipé.

1. Dévissez la tête de pulvérisation et remplissez le contenant jusqu'au repère MAX. Vissez fermement la tête de pulvérisation pour former un joint étanche. Le liquide doit être propre et exempt de toute impureté. Ne pas trop remplir, car il doit y avoir de l'espace pour l'air comprimé.
2. Pour accroître la pression, pompez environ 20 coups une fois le contenant rempli de liquide. Plus la pression est forte, plus les gouttes seront fines. Si le contenant est rempli à moitié, il vous faudra pomper davantage pour comprimer l'air supplémentaire.
3. Pour pulvériser, appuyez du pouce sur le déclencheur.
4. Ajustez la tête de pulvérisation pour pulvériser sur une grande largeur.
5. Au bout d'un certain temps de pulvérisation, la pression diminue. Rétablissez la pression en actionnant la pompe à air.
6. À la fin, détendez la pression en inversant la tête de pulvérisation et en appuyant sur le déclencheur ou en dévissant lentement la tête de pulvérisation pour laisser l'air d'échapper par l'ouverture de remplissage.
7. Après une utilisation, rincez le pulvérisateur à l'eau propre et vérifiez que le trou du gicleur

est totalement propre et net. Utilisez à cette fin une eau tiède (et non chaude) et un détergent domestique.

REMARQUE: Pour obtenir de plus amples renseignements, consultez le livret d'instructions fourni avec le pulvérisateur.



ATTENTION !!

Portez des lunettes et des vêtements protecteurs lorsque vous utilisez des produits de nettoyage.

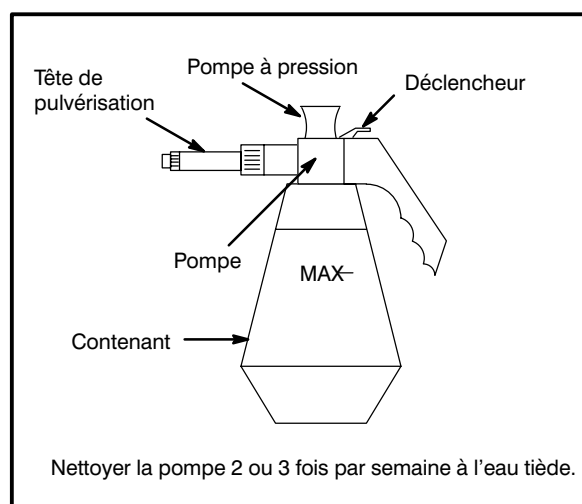


Figure 44

Pulvérisateur complet – numéro de pièce R0006

Trousse de réparation de la tête de pulvérisateur – numéro de pièce R6332



Nettoyage et entretien préventif

NETTOYAGE DE L'INTÉRIEUR

Nettoyage quotidien

Le nettoyage quotidien du four est essentiel pour respecter les conditions sanitaires minimales et éviter les problèmes de fonctionnement. La cavité en acier inoxydable peut corroder si le four n'est pas adéquatement nettoyé. Utilisez un détergent pour four conjointement au pulvérisateur fourni.

Pour le nettoyage de taches tenaces, laissez agir plus longtemps le détergent à vaporiser avant de procéder au rinçage.

1. **Laissez refroidir le four** à 60°C (140°F) ou, si le four n'était pas utilisé, activez le mode d'injection de vapeur pendant 3 ou 4 minutes afin de réchauffer les surfaces de la cavité.
2. Remplissez le pulvérisateur et pompez de l'air dans le contenant au moyen de la pompe à pression.
3. Pulvérisez l'intérieur du four avec la solution de nettoyage. Assurez-vous de vaporiser la solution de nettoyage à travers la garde de ventilateur pour couvrir toutes les surfaces.
REMARQUE: Ne pulvérisez jamais de l'eau dans le four lorsque la température est supérieure à 100°C (212°F).
4. Laissez le nettoyant agir pendant la période recommandée par son fabricant.
5. Réglez la minuterie entre 15 et 20 minutes.
6. Réglez le sélecteur de mode sur la position Steam (vapeur). Ceci permet de ramollir tous les résidus calcinés.
7. Rincez l'intérieur du four à l'eau (vous pouvez utiliser un tuyau d'arrosage, mais veillez à n'arroser que l'intérieur du four). Essuyez l'intérieur après le rinçage.
8. La porte doit être gardée un peu ouverte après le nettoyage. Cela permettra au four de s'aérer et d'accroître la durée de vie utile du joint de la porte.

Dans le cas d'une cavité en acier inoxydable, enlevez les dépôts d'éclaboussures, d'huile, de graisse et la décoloration légère avec un bon nettoyeur industriel non toxique adapté à l'acier inoxydable. Appliquez le produit lorsque le four est froid et frottez toujours dans le sens du grain du métal. Vous pouvez nettoyer les grilles, les supports et la roue du ventilateur à l'intérieur du four même ou les en retirer et les faire tremper dans une solution d'ammoniac et d'eau.

REMARQUE: N'EMPLOYEZ PAS des nettoyants corrosifs non prévus pour le nettoyage des fours sur votre four COMBI.

Nettoyants recommandés:

- | | |
|--------------------|----------------------|
| a.) ECOLAB | Greasecutter Plus |
| b.) CELLO | EZ Clean |
| c.) Diversey-Lever | Advance Oven Cleaner |



ATTENTION !!

Assurez-vous de lire et de suivre les instructions de sécurité sur la fiche signalétique ou le contenant de votre produit à nettoyer le four.

Nettoyage hebdomadaire du four BX-14 Boilers

En plus du nettoyage quotidien, il est nécessaire de nettoyer derrière le protège-ventilateur de ce four à toutes les semaines. Cela est nécessaire pour un fonctionnement adéquat du four, car du tartre s'accumulera sur le ventilateur et la source de chaleur, produisant ainsi un four moins efficace.

1. Éteignez le four. Assurez-vous qu'il soit refroidi à moins de 60 °C (140 °F).



Nettoyage et entretien préventif

2. Enlevez les guides de grilles.



Figure 45

3. Tournez les deux vis du côté gauche du protège-ventilateur.

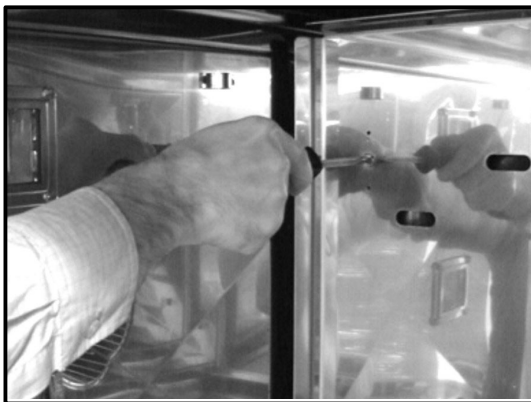


Figure 46

4. Enlevez le protège-ventilateur.



Figure 47

5. Vaporisez à fond le nettoyant sur le ventilateur et la source de chaleur. Fermez la porte pour permettre au nettoyant de bien nettoyer.
6. Après dix minutes, rincez le nettoyant. Remplacez le protège-ventilateur en position fermée. Tournez les deux vis pour fixer le protège-ventilateur.

Enlevez et nettoyez la roulette de soufflante tous les 6 mois.

Indicateur "CLEAN" du BX-14 Boilerless

L'indicateur "CLEAN" informe l'utilisateur que le four a été en service pendant une période préprogrammée et il est temps de le nettoyer. Il est nécessaire de complètement nettoyer l'intérieur en raison des minerais de l'eau qui s'accumuleront. Le propre nettoyage prolongera la vie de votre four.

Une fois que l'intérieur de four a été nettoyé l'indicateur "CLEAN OVEN" doit être remis à zéro. Pour le remettre à zéro:

1. Placez le four en état de Vapeur (STEAM).
2. Pressez et maintenez le bouton "STEAM ON DEMAND" jusqu'à ce que l'indicateur clignote rapidement.
3. Quand l'indicateur cesse de clignoter laissez le bouton.
4. Le four a été remis à zéro et va compter le temps jusqu'au prochain nettoyage.



Nettoyage et entretien préventif

NETTOYAGE DE L'EXTÉRIEUR

Vous pouvez nettoyer l'extérieur de l'appareil et le maintenir en bon état au moyen d'une huile légère. Imbibez un chiffon et frottez l'appareil lorsqu'il est froid, puis essuyez avec un chiffon propre et sec.



ATTENTION !!

NE PULVÉRISEZ PAS l'extérieur de l'appareil avec de l'eau et ne le nettoyez pas au moyen d'un jet d'eau. Nettoyer à l'aide d'un jet d'eau peut imprégner les chlorures dans l'acier inoxydable, entraînant la formation de corrosion.

ENTRETIEN PRÉVENTIF

Les meilleures mesures d'entretien préventif sont une mise en service initiale du four appropriée et un programme régulier de nettoyage. Le four-étuveur n'exige aucune lubrification. Communiquez avec le fabricant, son représentant ou l'entreprise locale d'entretien des produits Combi de Blodgett pour effectuer l'entretien et les réparations, le cas échéant.



Entretien

Détartrage (Unités BCX-14 seulement)

Le détartrage du générateur de vapeur constitue la procédure de maintenance préventive la plus importante. Le tartre se dépose à l'intérieur du générateur de vapeur, ce qui réduit son efficacité et endommage le système de contrôle de niveau. Ce four est fourni avec un voyant de détartrage pour indiquer le moment où le générateur de vapeur doit être détartré. Le voyant de détartrage clignote lorsque le générateur de vapeur a été utilisé pendant la période prééglée. Le clignotement du voyant de détartrage n'empêche pas de faire marcher le four, car vous pouvez utiliser le four normalement lorsque ce voyant clignote. Cela vous permet de choisir le moment opportun pour commencer le processus de détartrage.

AVERTISSEMENT !!

Les problèmes causés par le détartrage insuffisant ne sont pas couverts par la garantie.

Assurez-vous que le réservoir de solution de détartrage est rempli avec un agent de détartrage **non dilué** tel que "Lime Away" de Eco-Labs ou "Lime Out" de US Chemical.

AVERTISSEMENT !!

Les solutions de détartrage sont dangereuses et peuvent causer des brûlures de la peau et des yeux. Portez des vêtements et des lunettes de protection.

PROCESSUS DE DÉTARTRAGE SEMI-AUTOMATIQUE

REMARQUE: Le voyant de détartrage doit clignoter pour commencer ce processus.

AVERTISSEMENT !!

ÉVITEZ d'amorcer le processus de détartrage avant qu'on ait préchauffé la chaudière.

AVERTISSEMENT !!

ÉVITEZ LA CUISSON durant le processus de détartrage.

1. **Il faut préchauffer la chaudière avant d'amorcer le processus de détartrage.** Si on n'a pas déjà préchauffé la chaudière, mettez le four en mode d'air chaud (Hot Air) environ 10 minutes.
2. Assurez-vous que le contenant qui achemine l'agent de détartrage au four est plein.
3. Assurez-vous que la porte est ouverte.
4. Mettez le four en mode de refroidissement graduel (Cool Down). Enfoncez et relâchez le bouton d'injection de vapeur sur demande (Steam on Demand). Le voyant lumineux de détartrage (Delime) attestera de l'action en clignotant plus rapidement.
5. Arrêtez le four.

Le reste de la procédure est automatique. Le voyant de détartrage reste allumé pendant que le processus est en cours. Une fois que le processus a commencé, le four ne peut pas être utilisé tant qu'il n'est pas terminé. La durée totale du processus est d'environ 45 minutes. Lorsque le processus est terminé, le voyant de détartrage s'éteint, ce qui indique que le four peut être utilisé normalement.



Détartrage (Unités BCX-14 seulement)

RÉGLAGE DE L'INTERVALLE DE DÉTARTRAGE

Reportez-vous à la Figure 48 pour déterminer l'intervalle de détartrage approprié à votre appareil. Cherchez votre lieu et le réglage correspondant du potentiomètre. Ces valeurs sont génériques, et doivent être utilisées uniquement comme guide. La qualité de l'eau que vous utilisez peut être plus

ou moins calcaire. Ajustez l'intervalle de détartrage en fonction de la qualité de l'eau utilisée.

REMARQUE: Si le four est connecté à un système de filtration, la dureté de l'eau peut être réduite. Consultez le fournisseur du filtre pour obtenir des détails.

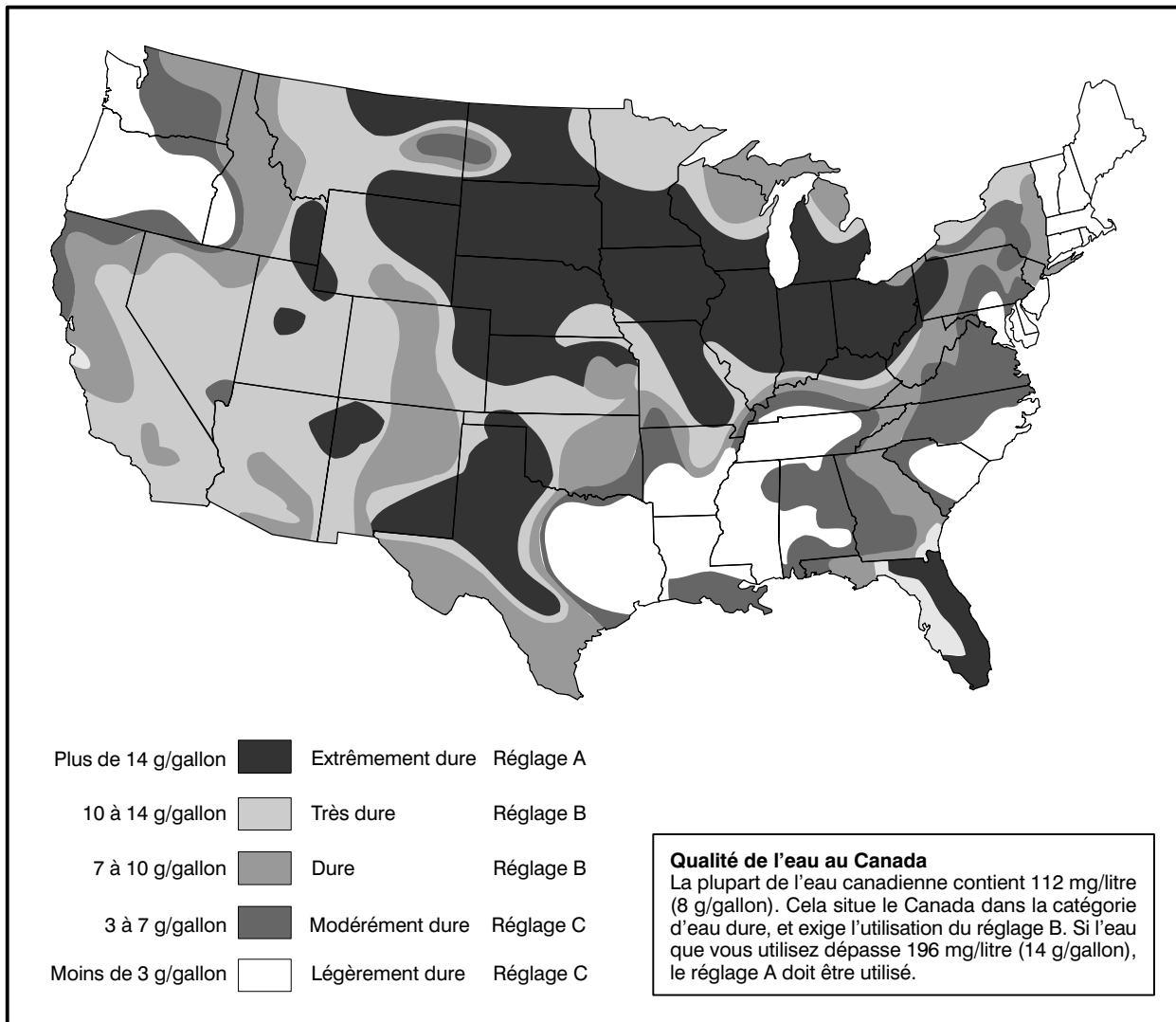


Figure 48



Entretien

Détartrage (Unités BCX-14 seulement)

Pour régler l'intervalle de détartrage :

1. Mettez l'appareil hors tension.
2. Retirez les deux vis situées sur le panneau latéral. Glissez le module de commande vers l'avant.
3. Amenez le potentiomètre sur le réglage nécessaire. Voir la Figure 49.
4. Remettez en place le module de commande et les deux vis.
5. Mettez l'appareil sous tension.

Un ordinateur PC peut être branché à la mise sous tension de l'appareil pour vérifier le réglage du potentiomètre. La ligne d'état "L'intervalle de détartrage est x heure(s) de marche du générateur de vapeur." indique 30, 60 ou 90. Reportez-vous à la Figure 51 de la page 69.

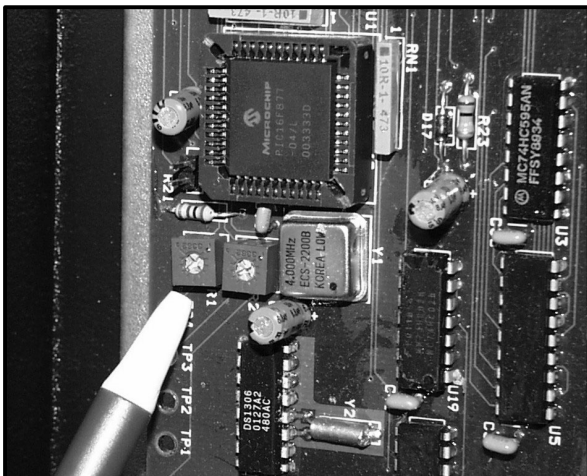


Figure 49

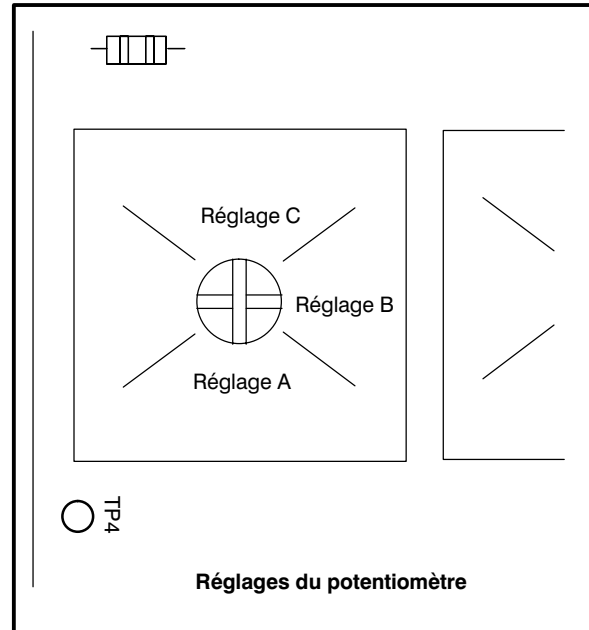


Figure 50



Communications (Unités BCX-14 et BX-14 seulement)

Le four est équipé d'un port de communication sériel RS-232 situé à l'intérieur du panneau de commande. Un ordinateur portable peut être utilisé pour visualiser des informations concernant cer-

tains paramètres de l'appareil, y compris son historique de détartrage. Une vue d'écran typique est montrée ci-dessous.

Software (c) 2002 Blodgett
Blodgett Combi BC-2 Control

ROM Saved Data

=====

Version -> 3
Model -> 0
Startup Date-> 25
Startup Month -> 6
Startup Year -> 2
Low Volt -> 37
High Volt -> 80
Steam Time(sec) -> 16384
SD Time(sec) -> 457
CNV Time(sec) -> 239087
Combi Time(sec)-> 71870
Heat DMD events -> 0378956
Current time -> 11h : 22m : 10s
Current date -> 26 day 6 month 2 year
Total delimiting events -> 3
Steam has been run -> 21 hour(s) 52 min(s) 8 sec(s) since last delimiting.
Next delimiting in approximately 3 hour(s) of Steam Generator run time.
Delimiting interval is 24 hour(s) of Steam Generator run time.

Delimiting History

=====

Last address 5 and state 0
Event no. 1 on 25 day 5 month 2 year
Event no. 2 on 23 day 6 month 2 year
Event no. 3 on 21 day 7 month 2 year
Event no. 4 on 0 day 0 month 0 year
Event no. 5 on 0 day 0 month 0 year

Explanation of output

<i>Version</i> -	Software version.
<i>Model</i> -	1= Gas oven, 0 = Electric oven.
<i>Startup Date, Month, Year</i> -	Date oven was started up.
<i>Low Volt, High Volt</i> -	Power supply fluctuations.
<i>Steam Time</i> -	Time in second's oven has used Steam Mode.
<i>SD Time</i> -	Time in second's oven has used in On Demand Steam mode.
<i>CNV Time</i> -	Time in second's oven has used Hot Air Mode.
<i>Combi Time</i> -	Time in second's oven has used in Combi Mode.
<i>Heat DMD events</i> -	Total number of heat demand events.
<i>Current time, Current date</i> -	Current date and time.
<i>Total delimiting events</i> -	Total number of times oven has been delimiting.
<i>Steam has been run</i> -> -	How long steam generator has been run since last delimiting.
<i>Next delimiting..</i> -	Approximately next time steam generator will need a delimiting.
<i>Delimiting interval</i> ..-	Hours the steam generator will run between delimiting events.
<i>Delimiting History</i> -	The last 52 events will be printed out. If an event has not occurred, a 0 will be used. Last address and state are used to record the last delimiting state in case of power fail during the process. Normally, state should be 0.

Figure 51



Entretien

Communications (Unités BCX-14 et BX-14 seulement)

Pour connecter un ordinateur portable au four (système d'exploitation Windows de Microsoft)

1. Débranchez l'appareil de la source d'alimentation électrique.
2. Retirez (2) vis et glissez le panneau de commande vers l'avant.
3. Initialisez l'ordinateur.
4. Raccordez un câble série standardisé au port série de l'ordinateur portable et au port série à 9 broches situé sur la carte à circuit imprimé dans la zone de commande. Voir la Figure 52.
5. Lancez un programme de communication tel que "Hyperterminal" en sélectionnant Démarrage ----> Programmes----> Accessoires----> Hyperterminal----> HyperTerminal.
6. Entrez un nom pour la connexion et sélectionnez une icône, sélectionnez OK.
7. Cliquez sur "Connecter avec" et sélectionnez le port COM utilisé par le câble série. Sélectionnez OK.
8. Configurez les paramètres ci-dessous, puis cliquez sur OK.
 - a.) Bits par seconde : **9600**
 - b.) Bits de donnée : **8**
 - c.) Parité : **aucune**
 - d.) Bits d'arrêt : **1**
 - e.) Contrôle de débit : **Aucun**

Pour visualiser les données :

Pour visualiser les données de sortie, l'appareil doit être débranché de la source d'alimentation pendant 10 secondes, puis il doit être remis sous tension. Les données sont alors affichées dans la fenêtre du terminal. Des données sont aussi affichées pendant le processus de démarrage. Chaque état est affiché à l'écran, accompagné du compte à rebours du nombre de secondes restant dans l'état en cours.

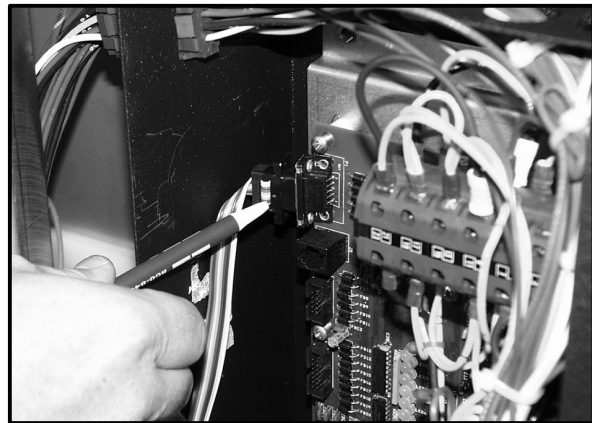


Figure 52

**INSERT
WIRING DIAGRAM
HERE**

**PLACER
SCHÉMA DE CÂBLAGE
ICI**

Free Manuals Download Website

<http://myh66.com>

<http://usermanuals.us>

<http://www.somanuals.com>

<http://www.4manuals.cc>

<http://www.manual-lib.com>

<http://www.404manual.com>

<http://www.luxmanual.com>

<http://aubethermostatmanual.com>

Golf course search by state

<http://golfingnear.com>

Email search by domain

<http://emailbydomain.com>

Auto manuals search

<http://auto.somanuals.com>

TV manuals search

<http://tv.somanuals.com>