



1060 SERIES

GAS DECK OVEN

INSTALLATION – OPERATION – MAINTENANCE

LA SÉRIE 1060

FOURS À GAZ À PLATEFORME

MANUEL D'INSTALLATION – UTILISATION – ENTRETIEN



BLODGETT OVEN COMPANY

www.blodgett.com

44 Lakeside Avenue, Burlington, Vermont 05401 USA Telephone (800) 331-5842, (802) 860-3700 Fax: (802)864-0183

PN 17969 Rev E (6/01)

© 2001 – G.S. Blodgett Corporation

IMPORTANT

WARNING: IMPROPER INSTALLATION, ADJUSTMENT, ALTERATION, SERVICE OR MAINTENANCE CAN CAUSE PROPERTY DAMAGE, INJURY OR DEATH. READ THE INSTALLATION, OPERATING AND MAINTENANCE INSTRUCTIONS THOROUGHLY BEFORE INSTALLING OR SERVICING THIS EQUIPMENT

AVERTISSEMENT: UNE INSTALLATION, UN AJUSTEMENT, UNE ALTÉRATION, UN SERVICE OU UN ENTRETIEN NON CONFORME AUX NORMES PEUT CAUSER DES DOMMAGES À LA PROPRIÉTÉ, DES BLESSURES OU LA MORT. LISEZ ATTENTIVEMENT LES DIRECTIVES D'INSTALLATION, D'OPÉRATION ET D'ENTRETIEN AVANT DE FAIRE L'INSTALLATION OU L'ENTRETIEN DE CET ÉQUIPEMENT.

INSTRUCTIONS TO BE FOLLOWED IN THE EVENT THE USER SMELLS GAS MUST BE POSTED IN A PROMINENT LOCATION. THIS INFORMATION MAY BE OBTAINED BY CONTACTING YOUR LOCAL GAS SUPPLIER.

LES INSTRUCTIONS À RESPECTER AU CAS OÙ L'UTILISATEUR PERÇOIT UNE ODEUR DE GAZ DOIVENT ÊTRE AFFICHÉES DANS UN ENDROIT BIEN VISIBLE. VOUS POUVEZ VOUS LES PROCURER AUPRÈS DE VOTRE FOURNISSEUR DE GAZ LOCAL.

FOR YOUR SAFETY

Do not store or use gasoline or other flammable vapors or liquids in the vicinity of this or any other appliance.

AVERTISSEMENT

Ne pas entreposer ni utiliser de l'essence ni d'autres vapeurs ou liquides inflammables dans le voisinage de cet appareil, ni de tout autre appareil.

The information contained in this manual is important for the proper installation, use, and maintenance of this oven. Adherence to these procedures and instructions will result in satisfactory baking results and long, trouble free service. Please read this manual carefully and retain it for future reference.

Les informations données dans le présent manuel sont importantes pour installer, utiliser et entretenir correctement ce four. Le respect de ces instructions et procédures permettra d'obtenir de bons résultats de cuisson et une longue durée de service sans problèmes. Veuillez lire le présent manuel et le conserver pour pouvoir vous y reporter à l'avenir.

Errors: Descriptive, typographic or pictorial errors are subject to correction. Specifications are subject to change without notice.

Erreurs: Les erreurs de description, de typographie ou d'illustration font l'objet de corrections. Les caractéristiques sont sujettes à modifications sans préavis.



***THE REPUTATION YOU CAN COUNT ON
UNE RÉPUTATION SUR LAQUELLE VOUS POUVEZ COMPTER***

For over a century and a half, The Blodgett Oven Company has been building ovens and nothing but ovens. We've set the industry's quality standard for all kinds of ovens for every foodservice operation regardless of size, application or budget. In fact, no one offers more models, sizes, and oven applications than Blodgett; gas and electric, full-size, half-size, countertop and deck, convection, Cook'n Hold, Combi-Ovens and the industry's highest quality Pizza Oven line. For more information on the full line of Blodgett ovens contact your Blodgett representative.

Cela fait maintenant dessus un siècle et demi que Blodgett se spécialise dans la fabrication de fours. Nous avons établi les normes de qualité qui s'appliquent dans l'industrie à tous les types de fours utilisés dans les services alimentaires, quel qu'en soit la taille, l'exploitation ou le budget. En fait, ni n'offre plus de modèles, de tailles et d'applications de fours que Blodgett. À gaz et électriques. De tailles différentes, sur plan de travail et superposables. Qu'il s'agisse de fours à convection, des modèles Cook'n Hold et Combi-Oven, ou de la gamme de fours à pizzas de la plus haute qualité offerte sur le marché. Pour de plus amples informations sur la gamme complète de fours Blodgett, veuillez contacter votre représentant Blodgett.

Your Service Agency's Address:
Adresse de votre agence de service:



Model/Modèle:

Serial Number/Numéro de série:

Your oven was installed by/
Installateur de votre four:

Your oven's installation was checked by/
Contrôleur de l'installation de votre four:

Table of Contents/Table des Matières

<p>Introduction</p> <p>Oven Description and Specifications 2</p> <p>Oven Components 3</p> <p>Installation</p> <p>Delivery and Location 4</p> <p>Oven Assembly 5</p> <p> Packaging 5</p> <p> Leg Attachment 5</p> <p> caster attachment 5</p> <p> Double Section Assembly 6</p> <p> 3 Piece Deflector Assembly 6</p> <p> Ultra Rokite Shelves 6</p> <p> Deck Seal 7</p> <p> Flue Plates 7</p> <p> Leveling the Oven 7</p> <p> Adjustments Associated with Initial Installation 7</p> <p> Ventilation 8</p> <p> Canopy Type Exhaust Hood 8</p> <p> Direct Flue Arrangement 9</p> <p> Venting Problems 9</p> <p> Utility Connections – Standards and Codes 10</p> <p> Gas Connection 11</p> <p>Operation</p> <p>Safety Information 14</p> <p>Oven Control 15</p> <p>General Guidelines for Operating Personnel 16</p> <p>Maintenance</p> <p>Cleaning and Preventative Maintenance . 17</p> <p>Troubleshooting Guide 18</p>	<p>Introduction</p> <p>Description et Spécifications du Four 20</p> <p>Éléments du Four 21</p> <p>Installation</p> <p>Livraison et Implantation 22</p> <p>Montage du Four 23</p> <p> Emballage 23</p> <p> Assemblage des Pieds 23</p> <p> Fixation des Roulettes 23</p> <p> Montage de la Section Double 24</p> <p> Montage du Déflecteur en Trois Parties 24</p> <p> Des Plaques en Ultra Rokite 24</p> <p> Joint de Plaque 25</p> <p> Plaques de Cheminée 25</p> <p> Mise à Niveau des Fours 25</p> <p> Réglages à Faire Lors de l'Installation Initiale 25</p> <p> Ventilation 26</p> <p> Hotte D'évacuation Type Voûte 26</p> <p> En Prise Directe 27</p> <p> Problèmes de la Ventilation 27</p> <p> Branchements de Service – Normes et Codes 28</p> <p> Branchement de Gaz 29</p> <p>Utilisation</p> <p>Information de Sécurité 32</p> <p>Les Commandes du Four 33</p> <p>Consignes Générales à l'Intention des Utilisateurs 34</p> <p>Entretien</p> <p>Nettoyage et Entretien Préventif 35</p> <p>Guide de Détection des Pannes 36</p>
---	---



Introduction

Oven Description and Specifications

Blodgett Deck ovens have set industry wide standards of excellence for baking characteristics, performance and reliability. They remain unsurpassed for product quality.

Simplicity of design and quality construction throughout assure years of trouble free service

when the equipment is properly installed and maintained.

Features include a full angle iron frame, all welded radius corners and stainless steel fronts and doors.

	Natural Gas		Propane Gas	
	US Units	SI Units	US Units	SI Units
1060-BL GAS SPECIFICATIONS				
Heating Value	1000 BTU/hr	37.3 MJ/m ³	2550 BTU/hr	95.0 MJ/m ³
Specific Gravity (air=1.0)	0.63	0.63	1.53	1.53
Gas Manifold Pressure	3.5" W.C.	0.87 kPa	10" W.C.	2.49 kPa
Oven Input				
Per Burner	42,500 BTU/hr	12.4 kW	42,500 BTU/Hr	12.4 kW
Per Oven	85,000 BTU/Hr	24.9 kW	85,000 BTU/Hr	24.9 kW
Main Burner Orifice Size	30 MTD*	3.3 mm	48 MTD*	1.93 mm
Pilot Burner Orifice Size	.018" Dia.	.46 mm	.010" Dia.	.25 mm
1060-B GAS SPECIFICATIONS				
Heating Value	1000 BTU/hr	37.3 MJ/m ³	2550 BTU/hr	95.0 MJ/m ³
Specific Gravity (air=1.0)	0.63	0.63	1.53	1.53
Gas Manifold Pressure	3.5" W.C.	0.87 kPa	10" W.C.	2.49 kPa
Oven Input				
Per Burner	60,000 BTU/hr	17.6 kW	60,000 BTU/Hr	17.6 kW
Per Oven	120,000 BTU/Hr	35.2 kW	120,000 BTU/Hr	35.2 kW
Main Burner Orifice Size	23 MTD*	3.9 mm	44 MTD*	2.18 mm
Pilot Burner Orifice Size	.018" Dia.	.46 mm	.010" Dia.	.25 mm

NOTE: *Multiple Twist Drill
Gas Specifications are supplied in both US and SI (International Standard) units.



Oven Components

Ultra Rokite Deck – stone deck that absorbs heat from below to cook the bottom of the product.

Steel Deck – absorbs heat from below to cook the bottom of the product.

Deck Supports – hold the oven decks.

Deck Seal – seals the gap between the deck and the front of the oven.

Control Panel – contains wiring and components to control the oven operation.

Burner Compartment – located beneath the cooking chamber. The burner compartment contains the combustion burners.

Combustion Burners – provide heat to the baking chamber and the decks.

Deflector – diverts some of the heat from the combustion burners to the flue plates.

Flue Plates – located on the interior side walls of the cooking chamber. The flue plates conduct heat from the cooking burners to the oven cavity. The heat cooks the top of the product before being vented from the oven.

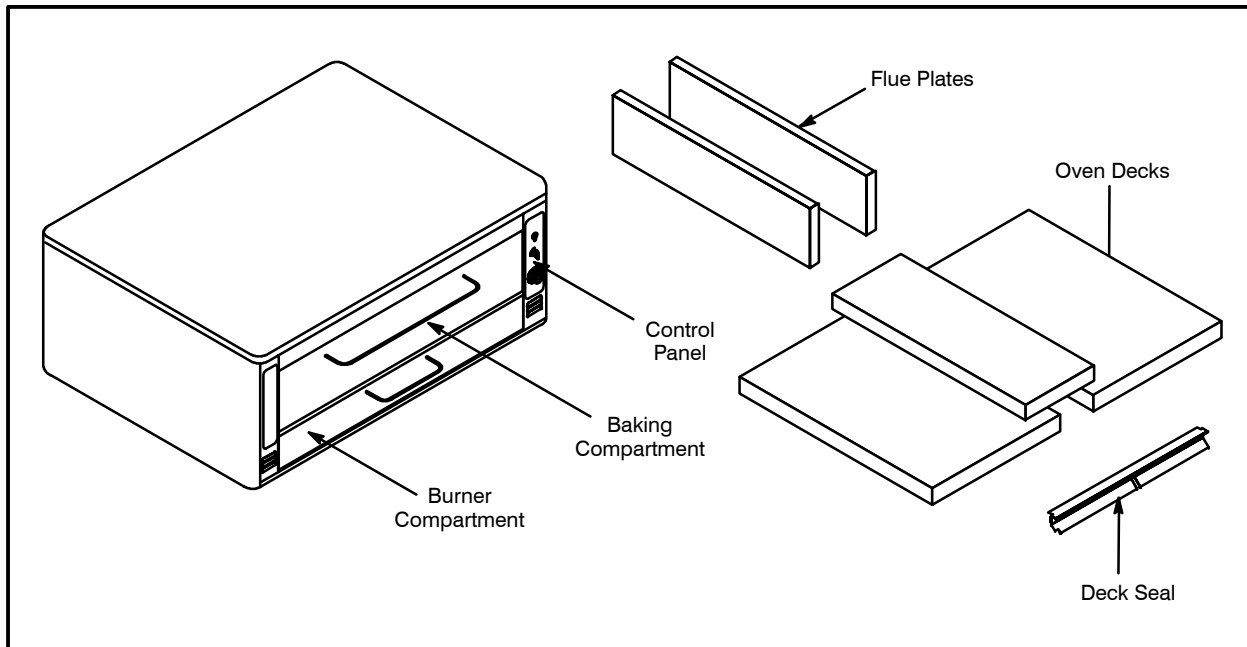


Figure 1



Installation

Delivery and Location

DELIVERY AND INSPECTION

All Blodgett ovens are shipped in containers to prevent damage. Upon delivery of your new oven:

- Inspect the shipping container for external damage. Any evidence of damage should be noted on the delivery receipt which must be signed by the driver.
- Uncrate the oven and check for internal damage. Carriers will accept claims for concealed damage if notified within fifteen days of delivery and the shipping container is retained for inspection.

The Blodgett Oven Company cannot assume responsibility for loss or damage suffered in transit. The carrier assumed full responsibility for delivery in good order when the shipment was accepted. We are, however, prepared to assist you if filing a claim is necessary.

OVEN LOCATION

The well planned and proper placement of your oven will result in long term operator convenience and satisfactory performance.

The following clearances must be maintained between the oven and any combustible or non-combustible construction.

- Oven body right side – 6" (15 cm)
- Oven body left side – 6" (15 cm)
- Oven body back – 6" (15 cm)
- Oven body bottom – 6" (15 cm)

The following clearance must be available for servicing.

- Oven body left side – 12" (30.5 cm)

NOTE: On gas models, routine servicing can usually be accomplished within the limited movement provided by the gas hose restraint. If the oven needs to be moved further from the wall, the gas must first be turned off and disconnected from the oven before removing the restraint. Reconnect the restraint after the oven has been returned to its normal position.

It is essential that an adequate air supply to the oven be maintained to provide a sufficient flow of combustion and ventilation air.

- Place the oven in an area that is free of drafts.
- Keep the oven area free and clear of all combustibles such as paper, cardboard, and flammable liquids and solvents.
- Do not place the oven on a curb base or seal to a wall. This will restrict the flow of air and prevent proper ventilation. Pilot outages or yellow, floating flames on the main burners are indicative of a lack of secondary air.
- The oven must be installed with the legs supplied by the manufacturer.

Before making any utility connections to this oven, check the rating plate to be sure the oven specifications are compatible with the gas and electrical services supplied for the oven. The rating plate is located on the inside of the burner door.



PACKAGING

Before beginning assembly and installation of the oven, check that all necessary components have been received. In addition to the oven itself, legs, the proper vent, and/or other accessories may be required.

Single Sections

1060 with Steel Deck

- Legs, regulator, set of flue plates, draft diverter and steel deck are shipped in the oven.
- Drafthood (when supplied) is packed separately.

1060 with Ultra Rokite Decks

- Legs, regulator, set of flue plates and draft diverter are shipped in oven.
- Ultra Rokite decks are packed in a separate carton.
- Drafthood (when supplied) is packed separately.

Double Sections

1060 with Steel Deck

- Legs and bolts, regulator, set of flue plates and steel deck are packed in the lower section.
- Regulator, set of flue plates, draft diverter and steel deck are packed in the upper section.
- Crown angle leg frame is packed in a separate carton.
- Drafthood (when supplied) is packed in a separate carton.

1060 with Ultra Rokite Decks

- Legs and bolts, regulator, set of flue plates are packed in the lower section.
- Regulator, draft diverter and a set of flue plates are packed in the upper section.
- Ultra Rokite decks are packed in two separate cartons.
- Crown angle leg frame is packed in a separate carton.
- Drafthood (when supplied) is packed in a separate carton.

LEG ATTACHMENT

1. Put the oven onto a genie lift with the bottom of the oven down. Be careful not to damage the louvered panel under the oven.
2. Each leg is attached by three bolts to the underside of the oven base frame.

CASTER ATTACHMENT

1. Bolt supports to oven with 1/2-13 hex head bolts (casters with brakes should be facing front of oven.)
2. Carefully place oven onto the casters. (It will be necessary to have several persons lift oven off the pallet and set it onto the casters). Engage brakes on front casters.

NOTE: A fixed restraint must be provided if casters are used in conjunction with a flexible connector for movable appliances. This restraint must secure the oven to a non-movable surface to eliminate stress on the connector. If the oven is moved, the restraint must be reconnected after the oven is returned to its normal position.



Installation

Oven Assembly

DOUBLE SECTION ASSEMBLY

1. Fasten 12" (305 mm) legs to lower section.
2. Remove the sheet metal flue cover on bottom of UPPER SECTION FLUE ONLY and save the two screws.
3. Fasten crown angle leg frame to upper sections.
4. Insert double oven flue connector into upper oven section flue until it is flush with the base angle. Temporarily hold in place with tape.
5. Install upper section on bottom section.
6. Remove tape and slide flue connector into position over the collar of the bottom section. See Figure 2.
7. Fasten flue connector to bottom section with screws from the flue cover.
8. Install drafthood or draft diverter with screws provided.

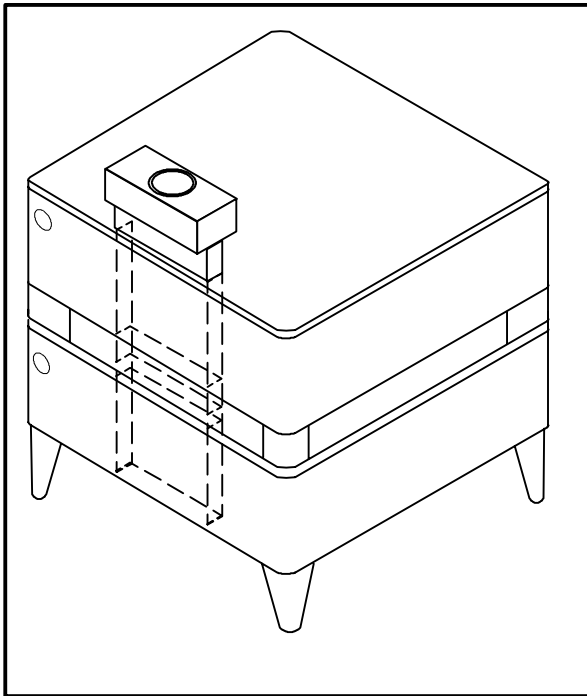


Figure 2

3 PIECE DEFLECTOR ASSEMBLY

1. Deflectors are shipped in place in the oven. No assembly is required.
2. Remove the shipping clip located in the back center of each deflector before inserting two-piece shelf assembly.

ULTRA ROKITE SHELVES

1. Slide the 12" wide Ultra Rokite shelf through the door opening to the rear of the oven until it drops into the shelf support.
2. Slide one of the two 24" wide shelves through the door opening to the rear on the center shelf until it is within the shelf support. Slide all the way to the left until it drops down in place.
3. Slide the other 24" wide shelf through the door opening to the rear on the center shelf until it is within the shelf support. Slide all the way to the right until it drops down in place.
4. Pry the three sections inward so the joints close.
5. Install the deck seal between the door and the frame.

NOTE: Due to the weight of the Ultra Rokite shelves, take care to avoid injury to yourself or damage to the shelves when sliding sections into the oven.



Figure 3



DECK SEAL

1. Place the long lip of the deck seal in front of the shelf support angle. Place the shorter lip with the notches between the shelf support angle and the shelf.
2. Push seal down into place.



Figure 4

FLUE PLATES

1. Insert the back end of the flue plate in the vertical channel in the rear of the oven compartment.
2. Swing the flue plate outward toward the oven side wall.
3. Raise the front end of the flue plate about 1/2". slip the two tabs on the flue plate in the matched angle on the front wall.
4. Drop the flue plate down into place.

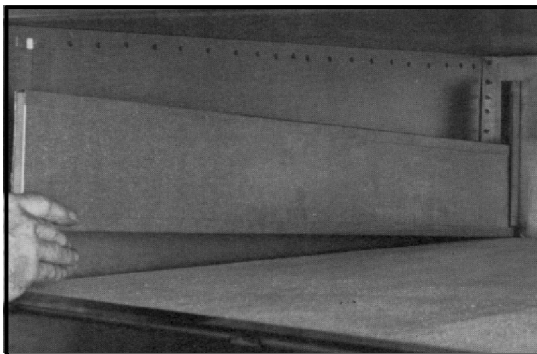


Figure 5

LEVELING THE OVEN

Ovens are equipped with NSF listed adjustable sanitary legs.

1. Level ovens side to side and front to back by placing spirit level on base frame of lower section.
2. Adjust leg feet in or out as appropriate.

ADJUSTMENTS ASSOCIATED WITH INITIAL INSTALLATION

Each oven, and its component parts, have been thoroughly tested and inspected prior to shipment. However, it is often necessary to further test or adjust the oven as part of a normal and proper installation. These adjustments are the responsibility of the installer, or dealer. Since these adjustments are not considered defects in material or workmanship, they are not covered by the Original Equipment Warranty. They include, but are not limited to:

- calibration of the thermostat
- adjustment of the doors
- burner adjustments
- leveling
- testing of gas pressure
- tightening of fasteners

No installation should be considered complete without proper inspection, and if necessary, adjustment by qualified installation or service personnel.



Installation

Ventilation

Blodgett gas deck ovens are direct fired. Heat and flue products from the burners are introduced directly into the baking compartment. As a result, improper venting can have a detrimental effect on the baking characteristics of the oven. A properly designed ventilation system will allow the oven to function properly, while removing unwanted vapors and products of combustion from the operating area.

This oven may be vented using either:

- A mechanically driven, canopy type, exhaust hood, or
- A direct flue arrangement.

U.S. and Canadian installations

Refer to your local ventilation codes. In the absence of local codes, refer to the National ventilation code titled, "Standard for the Installation of Equipment for the Removal of Smoke and Grease Laden Vapors from Commercial Cooking Equipment", NFPA-96-Latest Edition.

General export installations

Installation must conform with Local and National installation standards. Local installation codes and/or requirements may vary. If you have any questions regarding the proper installation and/or operation of your Blodgett oven, please contact your local distributor. If you do not have a local distributor, please call the Blodgett Oven Company at 0011-802-860-3700.

THE BLODGETT OVEN COMPANY CANNOT ASSUME RESPONSIBILITY FOR LOSS OR DAMAGE SUFFERED AS A RESULT OF IMPROPER INSTALLATION.

WARNING:

Failure to properly vent the oven can be hazardous to the health of the operator and may result in operational problems, unsatisfactory baking and possible damage to the equipment.

Damage sustained as a direct result of improper ventilation will not be covered by the Manufacturer's warranty.

CANOPY TYPE EXHAUST HOOD

A mechanically driven, canopy type exhaust hood is the preferred method of ventilation.

The hood should be sized to completely cover the equipment plus an overhang of at least 6" (15 cm) on all sides not adjacent to a wall. The distance from the floor to the lower edge of the hood should not exceed 7' (2.1m).

The capacity of the hood should be sized appropriately with provisions for an adequate supply of make up air. Capacity is generally expressed in ft³/min (CFM). 1 CFM of natural gas burned with just enough air for complete combustion produces 11 CFM of combustion products. In virtually all appliances some excess air is used. This volume of excess air is added to the flue products flowing from the appliance.

NOTE: Consult your local exhaust hood contractor for your specific installation.

Installing the canopy hood draft diverter

Ovens ordered for hood venting are supplied with a draft diverter. Install the draft diverter as follows:

1. Place the diverter over the flue connector with the open area facing the front of the oven. See Figure 6.
2. Secure both ends with the sheet metal screws provided.

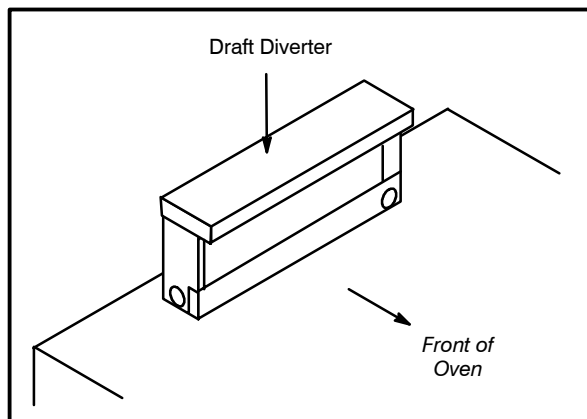


Figure 6



DIRECT FLUE ARRANGEMENT

When the installation of a mechanically driven exhaust hood is impractical the oven may be vented by a direct flue arrangement.



WARNING!!

It is essential that the direct flue be installed as follows. Incorrect installation will result in unsatisfactory baking and oven damage.

The flue must be class B or better with a diameter of 10" (25.4 cm). The height of the flue should rise 6-8 ft (2-2.5 m) above the roof of the building or any proximate structure. Never direct vent the oven into a hood. The flue should be capped with a UL Listed type vent cap to isolate the unit from external environmental conditions.

The direct vent cannot replace air consumed and vented by the oven. Provisions must be made to supply the room with sufficient make-up air. Total make-up air requirements for each oven section should be approximately 30 CFM per section. To increase the supply air entering the room, a ventilation expert should be consulted.

Installing the draft hood

Ovens ordered for direct venting are supplied with a draft hood. Install the draft hood as follows:

1. Place the draft hood over the flue connector. See Figure 7.
2. Secure both ends with the sheet metal screws provided.

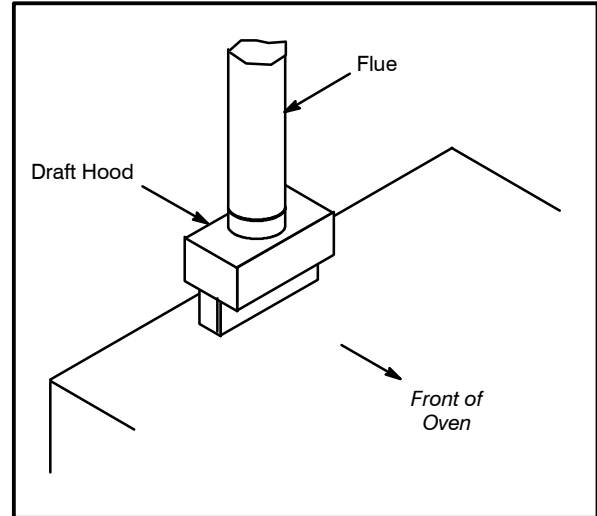


Figure 7

VENTING PROBLEMS

Blodgett gas deck ovens use the natural principal of heat rising as the basic method of ventilation. If the venting of any deck oven is either restricted or forced in any way the baking characteristics of the oven will be adversely affected.

Examples of forced venting include:

- installation of a fan in a direct vent pipe
- use of a canopy type hood without the draft diverter

Examples of restricted venting include:

- use of tees and elbows
- long horizontal runs

Insufficient make-up air can cause heated air and combustibles to remain in the oven shortening the life of the components.



Installation

Utility Connections – Standards and Codes

THE INSTALLATION INSTRUCTIONS CONTAINED HEREIN ARE FOR THE USE OF QUALIFIED INSTALLATION AND SERVICE PERSONNEL ONLY. INSTALLATION OR SERVICE BY OTHER THAN QUALIFIED PERSONNEL MAY RESULT IN DAMAGE TO THE OVEN AND/OR INJURY TO THE OPERATOR.

Qualified installation personnel are individuals, a firm, a corporation, or a company which either in person or through a representative are engaged in, and responsible for:

- the installation or replacement of gas piping and the connection, installation, repair or servicing of equipment.

Qualified installation personnel must be experienced in such work, familiar with all precautions required, and have complied with all requirements of state or local authorities having jurisdiction.

U.S. and Canadian installations

Installation must conform with local codes, or in the absence of local codes, with the *National Fuel Gas Code, NFPA54/ANSI Z223.1–Latest Edition*, the *Natural Gas Installation Code CAN/CGA-B149.1* or the *Propane Installation Code, CAN/CGA-B149.2* as applicable.

General export installations

Installation must conform with Local and National installation standards. Local installation codes and/or requirements may vary. If you have any questions regarding the proper installation and/or operation of your Blodgett oven, please contact your local distributor. If you do not have a local distributor, please call the Blodgett Oven Company at 0011-802-860-3700.





GAS PIPING

A properly sized gas supply system is essential for maximum oven performance. Piping should be sized to provide a supply of gas sufficient to meet the maximum demand of all appliances on the line without loss of pressure at the equipment.

Example:

NOTE: BTU values in the following example are for natural gas.

You purchase a 1060-BL deck oven to add to your existing cook line.

- Add the BTU rating of your current appliances.

Pitco Fryer	120,000 BTU
6 Burner Range	60,000 BTU
Convection Oven	<u>50,000 BTU</u>
Total	230,000 BTU
- Add the BTU rating of the new oven to the total.

Previous Total	230,000 BTU
1060-BL	<u>85,000 BTU</u>
New Total	315,000 BTU
- Measure the distance from the gas meter to the cook line. This is the pipe length. Let's say the pipe length is 40' (12.2 m) and the pipe size is 1" (2.54 cm).
- Use the appropriate table to determine the total capacity of your current gas piping.

The total capacity for this example is 320,000 BTU. Since the total required gas pressure, 315,000 BTU is less than 320,000 BTU, the current gas piping will not have to be increased.

NOTE: The BTU capacities given in the tables are for straight pipe lengths only. Any elbows or other fittings will decrease pipe capacities. Contact your local gas supplier if you have any questions.

Maximum Capacity of Iron Pipe in Cubic Feet of Natural Gas Per Hour
(Pressure drop of 0.5 Inch W.C.)

Pipe Length (ft)	Nominal Size, Inches				
	3/4"	1"	1-1/4"	1-1/2"	2"
10	360	680	1400	2100	3950
20	250	465	950	1460	2750
30	200	375	770	1180	2200
40	170	320	660	990	1900
50	151	285	580	900	1680
60	138	260	530	810	1520
70	125	240	490	750	1400
80	118	220	460	690	1300
90	110	205	430	650	1220
100	103	195	400	620	1150

From the National Fuel Gas Code Part 10 Table 10-2

Maximum Capacity of Pipe in Thousands of BTU/hr of Undiluted P.P. Gas at 11" W.C.
(Pressure drop of 0.5 Inch W.C.)

Pipe Length (ft)	Outside Diameter, Inches		
	3/4"	1"	1-1/2"
10	608	1146	3525
20	418	788	2423
30	336	632	1946
40	287	541	1665
50	255	480	1476
60	231	435	1337
70	215	404	1241
80	198	372	1144
90	187	351	1079
100	175	330	1014

From the National Fuel Gas Code Part 10 Table 10-15



Installation

Gas Connection

PRESSURE REGULATION AND TESTING

Each section of the 1060-B series oven is rated at 120,000 BTU per hour (35.2 kW). The 1060-BL series ovens are rated at 85,000 BTU per hour (24.9 kW). At full demand, each section 1060-B requires 120 cubic feet per hour (3.2 m³) Natural gas or 47 cubic feet per hour (1.3 m³) Propane gas. Each section 1048-BL oven requires 85 cubic feet per hour (2.4 m³) Natural gas or 33 cubic feet per hour (0.9 m³) Propane gas. Each oven has been adjusted at the factory to operate with the type of gas specified on the rating plate.

Inlet Pressure				
	Natural		Propane	
	Min	Max	Min	Max
W.C.	7.0	10.5	11.0	13.0
kPa	1.43	2.61	2.74	3.23
Manifold Pressure				
	Natural		Propane	
W.C.	3.5		10.0	
kPa	.87		2.49	

- **Inlet Pressure** – the pressure of the gas before it reaches the oven.
- **Manifold Pressure** – the pressure of the gas as it enters the main burner(s).
- **Min** – the minimum pressure recommended to operate the oven.
- **Max** – the maximum pressure at which the manufacturer warrants the oven's operation.

Each oven is supplied with a regulator to maintain the proper gas pressure. **The regulator is essential to the proper operation of the oven and must be installed.** It is preset to provide the oven with 3.5" W.C. (0.87 kPa) for natural gas and 10.5" W.C. (2.50 kPa) for Propane at the manifold.

DO NOT INSTALL AN ADDITIONAL REGULATOR WHERE THE OVEN CONNECTS TO THE GAS SUPPLY UNLESS THE SUPPLY EXCEEDS THE MAXIMUM PRESSURE.

Due to the decrease in oxygen at higher elevations, above 2000', the unit may need to be re-rated. (The orifice size may need to be adjusted to accommodate different air pressures at higher elevations.) If not re-rated, incomplete combustion may occur releasing Aldehydes and CO or Carbon Monoxide. **Any of these are unacceptable and may be hazardous to the health of the operator.**

Prior to connecting the oven, gas lines should be thoroughly purged of all metal filings, shavings, pipe dope, and other debris. After connection, the oven should be checked for correct gas pressure.

Installation must conform with local codes, or in the absence of local codes, with the *National Fuel Gas Code, NFPA54/ANSI Z223.1–Latest Edition*, the *Natural Gas Installation Code CAN/CGA-B149.1* or the *Propane Installation Code, CAN/CGA-B149.2* as applicable.

The oven and its individual shutoff valve must be disconnected from the gas supply piping system during any pressure testing of that system at test pressures in excess of 1/2 psig (3.45kPa).

The oven must be isolated from the gas supply piping system by closing its individual manual shutoff valve during any pressure testing of the gas piping system at test pressures equal or less than 1/2 psig (3.45kPa).



GAS HOSE RESTRAINT

If the oven is mounted on casters, a commercial flexible connector with a minimum of 3/4" (1.9 cm) inside diameter must be used along with a quick connect device.

The restraint, supplied with the oven, must be used to limit the movement of the unit so that no strain is placed upon the flexible connector. With the restraint fully stretched the connector should be easy to install and quick connect.

The restraint (ie: heavy gauge cable) should be 1,000 lb. (453 kg) test load and should be attached without damaging the building. **DO NOT** use the gas piping or electrical conduit for the attachment of the permanent end of the restraint! Use anchor bolts in concrete or cement block. On wooden walls, drive hi test wood lag screws into the studs of the wall.

1. Mount the supplied bracket to the leg bolt just below the gas inlet. See Figure 8.
2. The clip on restraining cable can be attached to the mounting bracket.

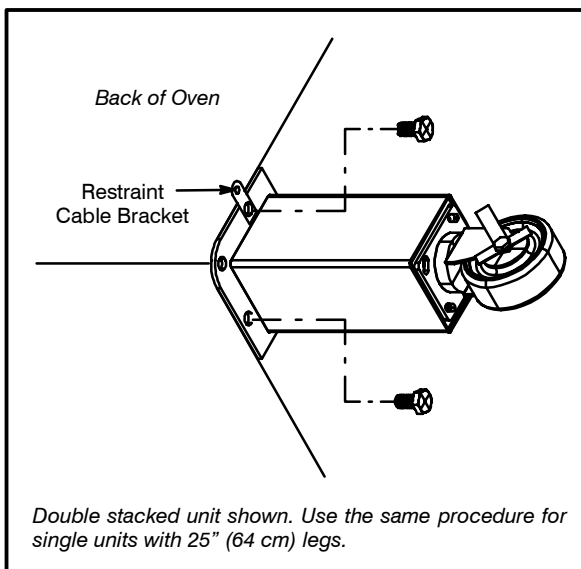


Figure 8



WARNING!!

If the restraint is disconnected for any reason it must be reconnected when the oven is returned to its original position.

U.S. and Canadian installations

The connector must comply with the *Standard for Connectors for Movable Gas Appliances, ANSI Z21.69* or *Connectors For Moveable Gas Appliances CAN/CGA-6.16* and a quick disconnect device that complies with the *Standard for Quick-Disconnect Devices for Use With Gas Fuel, ANSI Z21.41* or *Quick Disconnect For Use With Gas Fuel CAN 1-6.9*. Adequate means must be provided to limit the movement of the appliance without depending on the connection and the quick disconnect device or its associated piping. Adequate means must be provided to limit the movement of the appliance without depending on the connection and the quick disconnect device or its associated piping.

General export installations

The restraint and quick connect must conform with Local and National installation standards. Local installation codes and/or requirements may vary. If you have any questions regarding the proper installation and/or operation of your Blodgett oven, please contact your local distributor. If you do not have a local distributor, please call the Blodgett Oven Company at 0011-802-860-3700.



Operation

Safety Information

THE INFORMATION CONTAINED IN THIS SECTION IS PROVIDED FOR THE USE OF QUALIFIED OPERATING PERSONNEL. QUALIFIED OPERATING PERSONNEL ARE THOSE WHO HAVE CAREFULLY READ THE INFORMATION CONTAINED IN THIS MANUAL, ARE FAMILIAR WITH THE FUNCTIONS OF THE OVEN AND/OR HAVE HAD PREVIOUS EXPERIENCE WITH THE OPERATION OF THE EQUIPMENT DESCRIBED. ADHERENCE TO THE PROCEDURES RECOMMENDED HEREIN WILL ASSURE THE ACHIEVEMENT OF OPTIMUM PERFORMANCE AND LONG, TROUBLE-FREE SERVICE.



SAFETY TIPS

For your safety read before operating

What to do if you smell gas:

- DO NOT try to light any appliance.
- DO NOT touch any electrical switches.
- Use an exterior phone to call your gas supplier immediately.
- If you cannot reach your gas supplier, call the fire department.

What to do in the event of a power failure:

- Turn all switches to off.

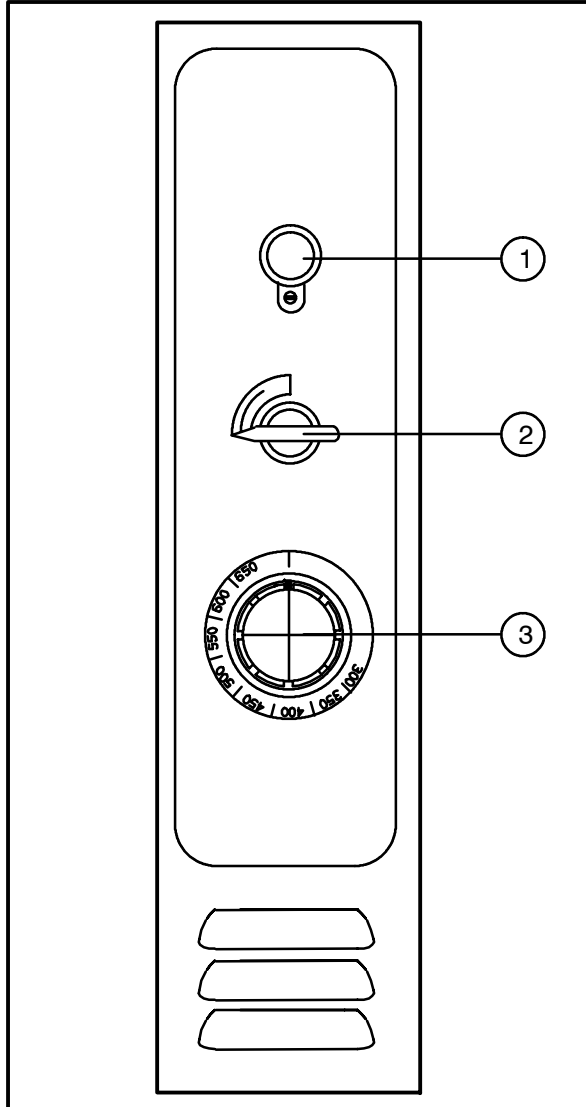
NOTE: In the event of a shut-down of any kind, allow a five (5) minute shut off period before attempting to restart the oven.

General safety tips:

- DO NOT use tools to turn off the gas control. If the gas cannot be turned off manually do not try to repair it. Call a qualified service technician.
- If the oven needs to be moved for any reason, the gas must be turned off and disconnected from the unit before removing the restraint cable. Reconnect the restraint after the oven has been returned to its original location.
- DO NOT remove the control cover unless the oven is unplugged.

Please take the time to read the following operating instructions. They are the key to the successful operation of your Blodgett deck oven.

Oven Control



CONTROL DESCRIPTION

1. AUTOMATIC SAFETY PILOT VALVE – provides complete gas shut-off in the event of pilot failure.
2. MANUAL CONTROL VALVE – provides manual control of gas flow to the main burner through the thermostat.
3. THERMOSTAT – Provides regulation of oven temperature at setting selected by the oven operator.

OPERATION

The operation of the 1048 Series Oven is as simple as 1, 2, 3. – Lighting, Preheating and Loading.

Lighting

1. Turn the MANUAL CONTROL VALVE (2) to OFF.
2. Push the red button on the AUTOMATIC SAFETY PILOT VALVE (1).
3. Apply a lighted match or taper to pilot burner.
4. After pilot burner lights, continue to depress red button for about 30 seconds and release.
5. Turn the MANUAL CONTROL VALVE (2) to ON.
6. Set THERMOSTAT (3) to desired temperature.

Preheating

1. On initial startup, preheat the oven to 600°F (315°C) over a period of four hours in increments of 100°F (55°C) starting at 300°F (149°C). Check the oven periodically. This will temper the Ultra Rokite shelves and burn off any oil and fiberglass residue.

NOTE: The 1060 (with Ultra Rokite shelves) will require an additional 20 minutes on a preheat to 600°F (315°C).

Loading

Pizza in pans should be placed in rotation on the shelf allowing it to recover its loss of temperature from the previous bake. Do not allow pans to touch each other or sides of oven. Open doors as seldom as possible.

The deck is intended for cooking pizza and bread products, other types of food may be cooked in pans or containers.

To turn the oven off

1. Turn the MANUAL CONTROL VALVE (1) to OFF.

NOTE: When the oven is shut down, place the Main Manual Control Valve in the OFF position. It is not necessary to extinguish the pilot flame.



Operation

General Guidelines for Operating Personnel

COOK TIMES AND TEMPERATURES

Cook Temperatures

Cook temperatures vary with different products. Experiment with the initial bakes until you find the ideal combination of time and temperature.

Example: pizza

1. Run several bakes at 500°F (260°C). Make note of the time required to achieve a firm crust.
2. If the cheese breaks down too quickly or scorches, lower the temperature and lengthen the bake time.
3. If faster production is desired, run additional bakes increasing the temperature by increments of 25°F (15°C).
4. Record the results to determine the highest temperature at which you can bake and achieve quality results with maximum production.

NOTE: Pull time is critical at high temperatures.

Cook Time

Cook times vary with the amount of product loaded, the type of pan and the temperature. Raising the temperature to lower the cook time is effective to a point. Then the quality of the bake begins to suffer.

BAKING TIPS

- Scale dough for consistent product.
- Proof dough to proper consistency.
- Refrigerated dough or pies should be brought to room temperature before baking. Bubbles may occur when baking refrigerated product. Break bubbles if necessary.
- Alternate use between upper and lower section in a double oven.
- Avoid frequent needless opening of the door
- Rotate product placement in the oven.



Cleaning and Preventative Maintenance

CLEANING THE OVEN

Painted and stainless steel ovens may be kept clean and in good condition with a light oil.

1. Saturate a cloth, and wipe the oven when it is cold.
2. Dry the oven with a clean cloth.

On the stainless front or interiors, deposits of baked on splatter may be removed with any non-toxic industrial stainless steel cleaner. Heat tint and heavy discoloration may be removed with any non-toxic commercial oven cleaner.

1. Apply cleaners when the oven is cold, and always rub with the grain of the metal.

Clean Ultra Rokite decks with a triangular scraper used for cleaning broiler grids. **IMPORTANT – DO NOT use water or any other liquids to clean the deck!**

Clean the aluminized interior portion of the oven with a mild detergent. DO NOT use caustic solutions such as ammonia, lye or soda ash. DO NOT use domestic oven cleaners. Any of these products will damage the aluminum coating.

Daily Cleaning

- Remove residue from beneath the doors with a small broom or brush.

Weekly Cleaning

- Brush out the combustion compartment and control area.

6 Month Cleaning

- Clean secondary air ducts and air entry ports.

NOTE: If the oven is moved the restraint must be reconnected after the unit is returned to its regular position.

PREVENTATIVE MAINTENANCE

The best preventative maintenance measures are, the proper installation of the equipment and a program for routinely cleaning the ovens.

This oven requires no lubrication, however, the venting system should be checked annually for possible deterioration resulting from moisture and corrosive flue products.

If maintenance or repairs are required, contact the factory, the factory representative or a local Blodgett service company.



Maintenance

Troubleshooting Guide

POSSIBLE CAUSE(S)	SUGGESTED REMEDY
SYMPTOM: Strong bottoms on the bakes	
<ul style="list-style-type: none">• Too much bottom heat• High gas pressure• Faulty flue (strong direct vent)• Product left in the oven too long	<ul style="list-style-type: none">• Reduce cook temperature and increase time• *• *• Shorten cook time
SYMPTOM: Uneven bakes	
<ul style="list-style-type: none">• Poor ventilation• Oven doors left open too long• Improper scaling of dough• Fluctuating gas pressure• Warped pans	<ul style="list-style-type: none">• *• Do not open door unnecessarily• Scale dough consistently• *• Change pans
SYMPTOM: Product burning	
<ul style="list-style-type: none">• Thermostat set too high• Product left in the oven too long• By-pass flame too high• High gas pressure• Thermostat out of calibration• Heat deflectors worn out	<ul style="list-style-type: none">• Reduce cook temperature• Shorten cook time• *• *• *• *
<p>*Denotes remedy is a difficult operation and should be performed by qualified personnel only. It is recommended, however, that All repairs and/or adjustments be done by your local Blodgett service agency and not by the owner/operator. Blodgett cannot assume responsibility for damage as a result of servicing done by unqualified personnel.</p>	

Troubleshooting Guide

POSSIBLE CAUSE(S)	SUGGESTED REMEDY
SYMPTOM: Product dried out	
<ul style="list-style-type: none"> • Oven temperature too low • Not using enough water in the mix • Thermostat out of calibration • Faulty flue (strong direct vent) 	<ul style="list-style-type: none"> • Increase cook temperature • Increase water in product mix • * • *
SYMPTOM: Extended baking times	
<ul style="list-style-type: none"> • Temperature setting too low • Low gas pressure • Strong ventilation • Excessive door openings 	<ul style="list-style-type: none"> • Increase cook time • * • * • Do not open door unnecessarily
<p>*Denotes remedy is a difficult operation and should be performed by qualified personnel only. It is recommended, however, that All repairs and/or adjustments be done by your local Blodgett service agency and not by the owner/operator. Blodgett cannot assume responsibility for damage as a result of servicing done by unqualified personnel.</p>	



Introduction

Description et Spécifications du Four

Les fours à plateforme Blodgett ont établi les hauts standards de qualité de l'industrie par leurs caractéristiques de cuisson au four, le rendement et la fiabilité. Ils restent sans égal pour la qualité du produit.

La simplicité de conception et la qualité de leur construction jusque dans les moindres détails as-

surent des années de service sans problème quand l'équipement est correctement installé et entretenu.

Les caractéristiques comprennent un bâti entièrement en fer en L, des rayons d'angles entièrement soudés et, un avant et des portes en acier inoxydable.

	Gaz Naturel		Gaz Propane	
	Unités US	Unités SI	Unités US	Unités SI
1060-BL SPECIFICATIONS POUR GAZ				
Valeur de Chauffe	1000 BTU/hr	37.3 MJ/m ³	2550 BTU/hr	95.0 MJ/m ³
Gravité Spécifique (air=1.0)	0.63	0.63	1.53	1.53
Pression arrivée de gaz au collecteur	3.5" W.C.	0.87 kPa	10" W.C.	2.49 kPa
Consommation Four				
Par brûleur	42,500 BTU/hr	12.4 kW	42,500 BTU/Hr	12.4 kW
Par four	85,000 BTU/Hr	24.9 kW	85,000 BTU/Hr	24.9 kW
Brûleur principal taille orifice	30 MTD*	3.3 mm	48 MTD*	1.93 mm
Brûleur veilleuse taille orifice	.018" Dia.	.46 mm	.010" Dia.	.25 mm
1060-B SPECIFICATIONS POUR GAZ				
Valeur de Chauffe	1000 BTU/hr	37.3 MJ/m ³	2550 BTU/hr	95.0 MJ/m ³
Gravité Spécifique (air=1.0)	0.63	0.63	1.53	1.53
Pression arrivée de gaz au collecteur	3.5" W.C.	0.87 kPa	10" W.C.	2.49 kPa
Consommation Four				
Par brûleur	60,000 BTU/hr	17.6 kW	60,000 BTU/Hr	17.6 kW
Par four	120,000 BTU/Hr	35.2 kW	120,000 BTU/Hr	35.2 kW
Brûleur principal taille orifice	23 MTD*	3.9 mm	44 MTD*	2.18 mm
Brûleur veilleuse taille orifice	.018" Dia.	.46 mm	.010" Dia.	.25 mm

REMARQUE: *Mèche hélicoïdale multiple
Spécifications fournies en unités US et SI



Éléments du Four

Plateforme de Rokite – plateforme de pierre qui absorbe la chaleur du bas du four pour cuire le dessous du produit.

Plateforme d'acier – qui absorbe la chaleur du bas du four pour cuire le dessous du produit.

Supports de plateforme – supportent les plateformes du four.

Joint d'étanchéité de la plateforme – bouche l'espace entre la plateforme et l'avant du four.

Panneau de Contrôle – contient les câblages et les éléments permettant de contrôler le fonctionnement du four.

Compartiment des brûleurs – situé au-dessous de la chambre de cuisson. Ce compartiment contient les brûleurs à combustion directe.

Brûleurs à combustion directe – fournissent la chaleur à la chambre de cuisson et aux plateformes.

Défecteur – détourne une partie de la chaleur des brûleurs à combustion directe vers les plaques tubulaires.

Plaques tubulaires – situées sur les parois intérieures de la chambre de cuisson. Les plaques tubulaires conduisent la chaleur des brûleurs à la cavité du four. La chaleur cuit le dessus du produit avant d'être évacuée du four.

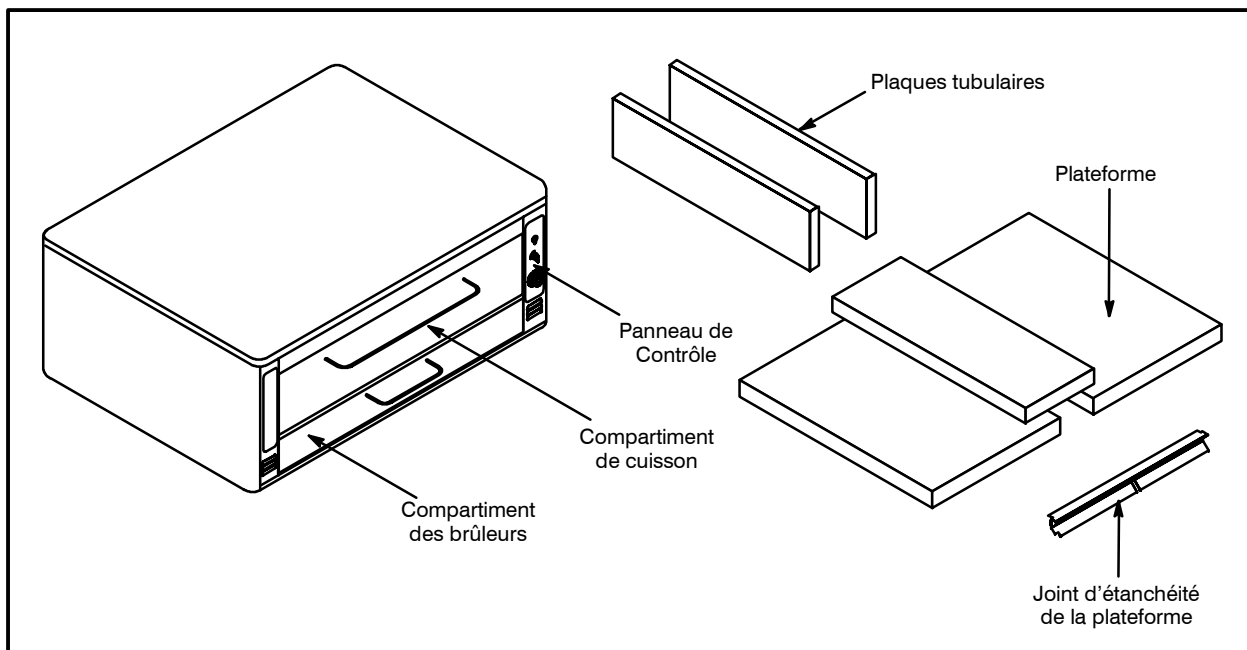


Figure 9



Installation

Livraison et Implantation

LIVRAISON ET INSPECTION

Tous les fours sont expédiés en conteneurs. A la réception de votre four Blodgett vous devez:

- Vérifier que les emballages ne sont pas abimés. Toute défection dans l'emballage doit être notée sur l'accusé de réception de la marchandise; celui-ci doit être signé par le chauffeur.
- Sortir le four de son emballage et vérifier son bon état. Les transporteurs n'acceptent les réclamations et plaintes que si elles sont faites dans les quinze jours qui suivent la livraison et si l'emballage a été conservé afin d'être inspecté.

La Blodgett Oven Co., n'est pas responsable des dégâts subis pendant le transport. Le transporteur est seul responsable de la livraison du matériel en bon état lorsque l'expédition a été acceptée. Néanmoins, nous sommes à votre disposition pour vous aider à composer votre dossier de réclamation.

IMPLANTATION DU FOUR

L'implantation correcte et bien étudiée du four sera à l'avantage à long terme de l'opérateur et permettra d'obtenir un rendement satisfaisant.

Les espaces de dégagement ci-dessous doivent être prévus entre le four et toute construction combustible ou non.

- Côté droit du four – 15 cm
- Côté gauche du four – 15 cm
- Arrière du four – 15 cm
- Dessous du four – 15 cm

Les espaces de dégagement ci-dessous doivent être possible pour permettre l'entretien.

- Côté gauche du four – 30.5 cm

REMARQUE: L'entretien régulier peut en général être effectué dans les limites du déplacement que permet la chaîne de retenue. Si le four doit être plus écarté du mur, l'alimentation en gaz doit être coupée et la canalisation débranchée du four avant d'enlever la chaîne. Celle-ci doit être utilisée pour empêcher d'exercer toute contrainte sur le coupleur de gaz.

Il est essentiel qu'une circulation d'air adéquate au four soit maintenue pour apporter un débit d'air de combustion et de ventilation suffisant.

- L'emplacement ne doit pas avoir de courants d'air.
- Maintenez la zone du four libre et dégagée de tous matériaux combustibles tels que le papier, le carton, ainsi que les liquides et solvants inflammables.
- Le four ne doit pas être placé sur une surface incurvée ou fixé au mur. L'empêcherait l'air de circuler librement vers le compartiment de combustion et par conséquent produirait une mauvaise ventilation. L'extinction de la veilleuse ou des flammes jaunes provenant du brûleur principal indiquent un manque d'arrivée d'air secondaire.
- Le four doit être installé sur les pieds fournis par le fabricant.

Veillez vérifier le tableau de spécifications avant d'effectuer tout branchement sur ce four afin de vous assurer que les spécifications de ce four sont compatibles avec le gaz d'arrivée au four. Le tableau de spécifications se trouve à l'intérieur de la porte du compartiment brûleur. Il faut ouvrir la porte pour le trouver.



EMBALLAGE

Avant de commencer le montage du four il faut vérifier que tous ses composants sont présents. En plus du four, lui-même, il faut des pieds, un système de ventilation et/ou d'autres accessoires.

Pour les sections simples:

1060 avec des plaques en métallique

- Des pieds, une régulateur, un collet de tuyau, un diverteur d'air et des plaques en métallique sont emballés dans le four.
- Une hotte à air (quand elle est fournie) est emballés dans une boîte individuelle.

1060 avec des plaques en Ultra Rokite

- Des pieds, une régulateur, jeu de plaques, et un diverteur d'air sont emballés dans une boîte en carton séparée,
- Des plaques en Ultra Rokite sont emballés dans une boîte et carton séparée.
- Une hotte à air (quand elle est fournie) est emballés dans une boîte individuelle.

Pour les sections doubles:

1060 avec des plaques en métallique

- Des pieds et boulons, une régulateur, un collet de tuyau, un raccordement de tuyau pour four double et des plaques en métallique sont emballés dans la section du bas.
- Une régulateur, un collet de tuyau, un diverteur d'air, et des plaques en métallique sont emballés dans la section du haut.
- Le cadre de pied d'angle est emballés dans une boîte individuelle.
- Une hotte à air (quand elle est fournie) est emballés dans une boîte individuelle.

Double 1060 avec des plaques en Ultra Rokite

- Des pieds et boulons, une régulateur et un jeux de plaques sont emballés dans la section du bas.
- Une régulateur, un diverteur d'air, et un jeux de plaques sont emballés dans la section du haut.
- Une hotte à air (quand elle est fournie) est emballés dans deux boîte individuelle.
- Le cadre de pied d'angle est emballés dans une boîte individuelle.
- Les plaques en Ultra Rokite sont emballées dans trois boites en carton séparées.

ASSEMBLAGE DES PIEDS

2. Pousser le four, couché sur le dos, sur un élévateur. Faire attention de ne pas endommager le volet d'aération qui est au-dessous du four.
3. Chaque pied est fixé par trois boulons sous la base du four.

FIXATION DES ROULETTES

1. Boulonnez les supports à celui-ci au moyen de boulons de 1/2-13 à tête hex (les roulettes freinées doivent être tournées vers le devant du four).
2. Faites reposer avec précaution le four sur les roulettes. (Il sera nécessaire de le faire soulever de la palette et de le faire reposer sur les roulettes par plusieurs personnes.) Serrez les freins des roulettes avant.

REMARQUE: Un dispositif de retenue fixe doit être fourni si des roulettes sont utilisés avec un connecteur flexible pour des appareils portatifs. Ce dispositif doit fixer le four à une surface immobile pour éliminer toute contrainte pouvant être subie par le connecteur. Si le four est déplacé, il faut rebrancher le connecteur après avoir remis le four en position normale.



Installation

Montage du Four

MONTAGE DE LA SECTION DOUBLE

1. Fixer les pieds de 12" (305 mm) à la section du bas.
2. Retirer la gaine de métal qui recouvre le tuyau au bas de la SECTION SUPERIEURE DU TUYAU SEULEMENT et conserver les deux vis.
3. Attacher le cadre de pied d'angle de ragerandir aux sections supérieures.
4. Insère le four double connection de tuyau en la section supérieure de four tuyau jusqu'à lui est nettoyage avec l'angle de base. Tient temporairement dans l'endroit avec la bande.
5. Installer la section du haut sur la section du bas.
6. Enlever la bande et diapositive la connection de tuyau en la position sur le col de la section du bas. Voir Figure 10.
7. Attacher la connection du tuyau au section du bas avec des vis du tuyau couverture.
8. Monter la hotte à air ou le diverteur d'air avec les vis fournies.

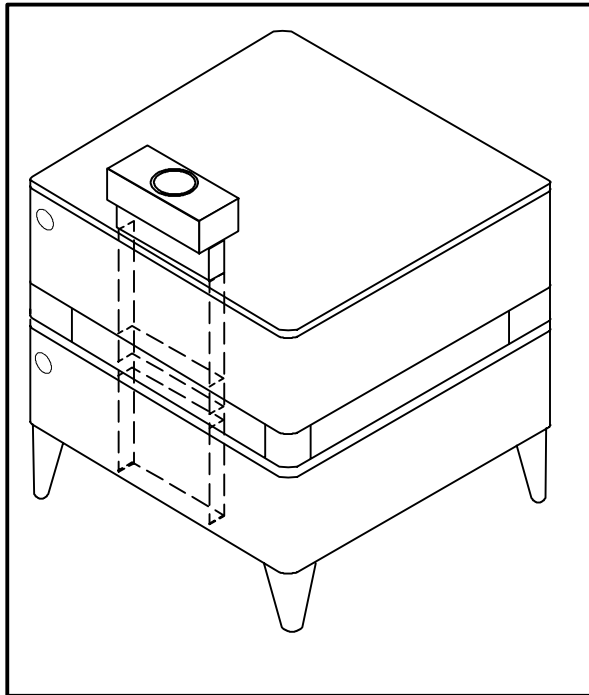


Figure 10

MONTAGE DU DÉFLECTEUR EN TROIS PARTIES

1. Les déflecteurs sont expédiés en place dans le four. Leur montage n'est pas nécessaire.
2. Retirer la patte d'attachement qui se trouve au centre arrière de chaque déflecteur avant d'insérer l'ensemble fait de deux-parties de la plaque.

DES PLAQUES EN ULTRA ROKITE

1. Saisir la plaque en Ultra Rokite de 12" de large et la centrer dans l'ouverture de la porte. La glisser par l'ouverture de la porte vers l'arrière du four jusqu'à ce qu'elle repose sur le support de plaque.
2. Glisser l'une des deux plaques de 24" par l'ouverture de la porte vers l'arrière de la plaque centrale jusqu'à ce qu'elle soit dans le support de plaque. La glisser vers la gauche jusqu'à ce qu'elle tombe en place.
3. Glisser l'autre plaque de 24" par l'ouverture de la porte vers l'arrière de la plaque centrale jusqu'à ce qu'elle soit dans le support de plaque. La glisser vers la droite jusqu'à ce qu'elle tombe en place.
4. Presser les trois parties de plaques vers l'intérieur de telle sorte que les joints se ferment.
5. Installer le joint de plaque entre la porte et son cadre.

REMARQUE: A cause du poids des plaques en Ultra Rokite, faites attention de ne pas vous blesser ou d'abîmer les plaques lorsque vous les faites glisser dans le four.



Figure 11



JOINT DE PLAQUE

1. Placer la partie longue de la lèvre du joint devant l'angle de support du plateau. Placer la partie courte de la lèvre qui a des encoches entre l'angle du support de plaque et la plaque.
2. Pousser vers le bas dans son emplacement.



Figure 12

PLAQUES DE CHEMINÉE

1. Insérer l'arrière de la plaque de cheminée dans la glissière verticale située à l'arrière du compartiment du cuisson.
2. Pousser la plaque vers l'extérieur en direction de la paroi latérale du four.
3. Soulever l'extrémité avant de la plaque de 1/2 pouce afin de permettre aux deux pattes situées sur la plaque de s'aligner et de s'engager dans les glissières situées sur la paroi avant du four.
4. Laisser retomber la plaque dans son emplacement.

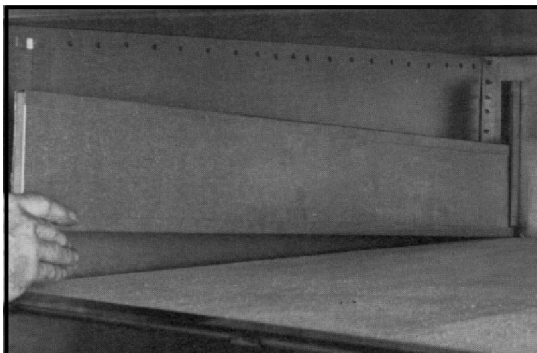


Figure 13

MISE À NIVEAU DES FOURS

Les fours sont équipés de pieds ajustables suivant le code NSF.

1. Mettre les fours à niveau latéralement et verticalement en plaçant le niveau sur la surface de la section inférieure.
2. Faire les réglages suivant le besoin.

RÉGLAGES À FAIRE LORS DE L'INSTALLATION INITIALE

Chaque four ainsi que ses composants ont été soigneusement testés et inspectés avant d'être expédiés. Cependant, il est bien souvent nécessaire de faire des vérifications et des réglages sur place au moment de l'installation initiale. Ceci est un procédé normal. De tels réglages sont sous la responsabilité du vendeur ou de l'installateur et ne sont pas imputables à des défauts de fabrication ou de matériau. Par conséquent, ces réglages ne sont pas couverts par la garantie de l'équipement d'origine. Ces réglages comprennent, sans s'y limiter:

- le calibrage du thermostat
- le réglage des portes
- réglage du brûleur
- la mise de niveau
- la vérification de la pression du gaz
- le serrage des boulons

On ne peut considérer une installation achevée tant qu'un personnel qualifié n'a pas procédé à sa vérification complète et fait les réglages nécessaires s'il en est besoin.



Installation

Ventilation

Un système de ventilation planifié et installé est absolument nécessaire car il permet un bon fonctionnement du four tout en débarrassant la surface de travail des buées et résidus de combustion.

Il y a deux méthodes de ventilation acceptables pour le four:

- Soit une hotte d'évacuation, de type voûte mécanique.
- Soit une installation à prise directe.

Installation aux États-Unis et au Canada

Se reporter aux codes locaux de la ventilation. En l'absence de codes locaux, se reporter au code national de la ventilation intitulé "Normes pour l'installation d'équipements pour l'enlèvement des fumées et vapeurs grasses provenant d'équipements commerciaux pour la cuisine", NFPA-96- Édition la plus récente.



AVERTISSEMENT:

Un mauvais système d'aération peut aboutir à un mauvais fonctionnement du four, des résultats de cuisson peu satisfaisants; il peut également abîmer l'appareil.

Les dégâts causés par une mauvaise ventilation ne sont pas couverts par la garantie du fabricant.

HOTTE D'ÉVACUATION TYPE VOÛTE

La méthode de ventilation la meilleure est celle qui utilise une hotte de ventilation adéquate à mécanique.

La hotte doit être conçue pour couvrir la totalité de l'appareil à ventiler avec en plus un surplomb se 15 cm (6") de chaque côté de l'appareil non adjacent au mur. La distance du plancher à l'extrémité la plus basse de la hotte ne doit pas dépasser sept 2.1m (7').

Le volume total d'air neuf et d'évacuation à considérer lors de la détermination de la capacité de hotte nécessaire est d'environ 11 CFM pour chaque section de four.

Installation du déviateur de tirage

Les fours commandés pour hotte d'évacuation sont fournis avec un déviateur de tirage. Installer le déviateur de tirage comme suit :

1. Placer le déviateur au-dessus du connecteur de cheminée avec la partie ouverte tournée vers l'avant du four. Voir Figure 14.
2. L'assujettir des deux côtés avec les vis à tôle fournies.

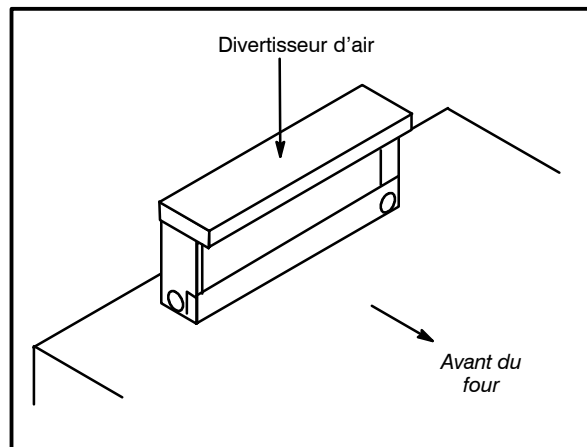


Figure 14



EN PRISE DIRECTE

Quand l'installation d'une hotte aspirante mécanique est impossible ou peu pratique à réaliser, on peut ventiler le four au moyen d'une installation en prise directe.



AVERTISSEMENT!!

Quand on utilise un système à prise directe il faut absolument suivre le schéma. Une installation de ventilation à prise directe qui est défectueuse donnera des résultats de cuisson peu satisfaisants et causera des dégâts prématurés aux éléments brûleurs.

La cheminée doit être de classe B ou mieux avec un diamètre de 25.4 cm (10"). La hauteur de la cheminée doit dépasser de 2 à 2,5 m (6-8') le haut du toit du bâtiment ou autre structure proche. Ne jamais diriger la ventilation du four dans une hotte. La cheminée doit être chapeauté avec une coiffe de type homologué UL, pour isoler la cheminée des intempéries extérieures.

Dans ce cas il est important de fournir assez d'air secondaire car l'installation à pris directe ne peut pas renouveler l'air absorbé et ventilé par le four. Le volume total d'air neuf et d'évacuation à considérer lors de la détermination de la capacité de hotte nécessaire est d'environ 30 CFM pour chaque section de four. Pour augmenter la circulation d'air dans la pièce, un expert en ventilation doit être consulté.

Installation de la hotte de tirage

Les four commandés pour la ventilation directe sont fournis avec une hotte de tirage. Installer la hotte de tirage comme suit :

1. Placer la hotte de tirage au-dessus du connecteur de cheminée. Voir Figure 15.
2. L'assujettir des deux côtés avec les vis à tôle fournies.

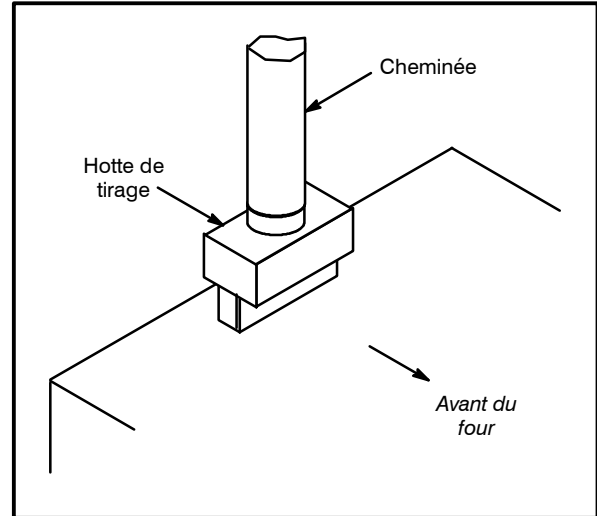


Figure 15

PROBLÈMES DE LA VENTILATION

La Série 1060 utilise le principe naturel de la chaleur montante comme base de sa ventilation. Si par n'importe quel moyen l'on restreint ou l'on force la ventilation des fours de la Série 1060, les caractéristiques de cuisson du four seront défavorablement affectées.

Par exemple: ventilation forcée

- l'utilisation d'un ventilateur dans le tuyau à prise directe
- l'installation sur le four d'une hotte d'aération qui n'est pas installée avec le diverteur d'air en forme de L.

Par exemple: ventilation restreinte

- des tés et coudes
- des sections horizontales

Un air d'appoint insuffisant peut être cause que l'air chaud et les combustibles restent dans le four, réduisant la durée utile des composants.



Installation

Branchements de Service – Normes et Codes

LES CONSEILS D'INSTALLATION ET D'ENTRETIEN CONTENUS DANS CE MANUEL NE S'ADRESSENT QU'À UN PERSONNEL QUALIFIÉ. UN PERSONNEL NON QUALIFIÉ PEUT SE BLESSE ET/OU ABÎMER LE FOUR LORS DE SON INSTALLATION ET/OU SON ENTRETIEN.

Un personnel d'installation qualifié est représenté soit par des personnes physiques, soit par un société, une usine, une corporation qui en personne ou par l'intermédiaire d'un représentant s'engage à et est responsable de:

- l'installation ou le remplacement de conduits de gaz, ou le branchement, l'installation, la réparation ou l'entretien de l'équipement.

Le personnel d'installation qualifié doit être expérimenté dans ce type de travail, s'être familiarisé avec toutes les précautions requises et respecter tous les règlements promulgués par les autorités provinciales ou locales compétentes.

Installation aux États–Unis et au Canada

Les branchements de gaz doivent être en accord avec les codes locaux, ou en l'absence de codes locaux, avec le *Code National du Gaz de Chauffage, ANSI Z223.1 le Code d'Installation du Gaz Naturel CAN/CGA-B149.1* ou le *Code d'Installation du Propane CAN/CGA-B149.2* si applicable.





Branchement de Gaz

CONDUIT DE GAZ

Un système d'alimentation en gaz de bon calibre est essentiel pour obtenir le meilleur rendement du four. Les conduits doivent être calibrés pour fournir suffisamment de gaz pour alimenter tous les appareils sur le conduit sans perte de pression à l'équipement.

Exemple:

REMARQUE: Les valeurs en BTU de l'exemple suivant sont pour le gaz naturel.

Achat d'un four à convection 1060-BL qui doit être ajouté sur la conduite de cuisson existante.

1. Additionner les valeurs nominales en BTU des appareils utilisés.

Friteuse Pitco	120,000 BTU
Cuisinière 6 brûleurs	60,000 BTU
Four	<u>50,000 BTU</u>
Total	230,000 BTU

2. À ce total, ajouter la valeur nominale en BTU du nouveau four.

Total précédent	230,000 BTU
1060-BL	<u>85,000 BTU</u>
Nouveau total	315,000 BTU

3. Mesurer la distance entre le compteur à gaz et la conduite de cuisson. Ceci est la longueur de tuyau. Disons que la longueur de tuyau est de 12,2 mètres (40') et le calibre du tuyau est de 2,54 cm (1").

4. Se reporter au tableau approprié pour déterminer la capacité totale de la conduite de gaz actuelle.

Pour cette exemple, la capacité totale est de 320,000 BTU, la conduite de gaz actuelle n'a pas besoin d'être augmentée.

REMARQUE: Les capacités en BTU données sur les tableaux sont uniquement pour des longueurs droites de tuyaux. Tous les coudes et autres raccords diminuent la capacités de la conduite. Pour toute autre question, prendre contact avec la compagnie locale de distribution du gaz.

Maximum Capacity of Iron Pipe in Cubic Feet of Natural Gas Per Hour

(chute de pression de 13 mm (0,5 po) à la colonne d'eau)

Longueur de conduit pieds	Dimensions nominales				
	3/4"	1"	1-1/4"	1-1/2"	2"
10	360	680	1400	2100	3950
20	250	465	950	1460	2750
30	200	375	770	1180	2200
40	170	320	660	990	1900
50	151	285	580	900	1680
60	138	260	530	810	1520
70	125	240	490	750	1400
80	118	220	460	690	1300
90	110	205	430	650	1220
100	103	195	400	620	1150

Du Code national du gaz carburant Partie 10 Tableau 10-2

Maximum Capacity of Pipe in Thousands of BTU/hr of Undiluted L.P. Gas at 11" W.C.

(chute de pression de 13 mm (0,5 po) à la colonne d'eau)

Longueur de conduit pieds	Diamètre extérieur		
	3/4"	1"	1-1/2"
10	608	1146	3525
20	418	788	2423
30	336	632	1946
40	287	541	1665
50	255	480	1476
60	231	435	1337
70	215	404	1241
80	198	372	1144
90	187	351	1079
100	175	330	1014

Du Code national du gaz carburant Partie 10 Tableau 10-15



Installation

Branchement de Gaz

RÉGLAGE ET TEST DE PRESSION

Chaque section des fours de 1060-B est standardisée à 120,000 BTU par heure (35.2 KW). Chaque section des fours de 1060-BL est standardisée à 85,000 BTU par heure (24.9 KW). Pour des fours 1060-B, il est indispensable d'avoir un système d'arrivée de gaz naturel de 120 pieds cubiques (3.40m³) ou de gaz propane de 47 pieds cubique (1.33m³) pour alimenter chaque unité par heure afin que le four fonctionne correctement à plein rendement. Pour des fours 1060-BL, il est indispensable d'avoir un système d'arrivée de gaz naturel de 85 pieds cubiques (2.40m³) ou de gaz propane de 33 pieds cubique (0.9m³). Tous les fours sont réglés en usine en fonction du type de gaz spécifié sur la plaque signalétique.

Pression à l'entrée				
	Gaz Naturel		Gaz Propane	
	Min	Max	Min	Max
W.C.	7.0	10.5	11.0	13.0
kPa	1.43	2.61	2.74	3.23
Pression au collecteur				
	Gaz Naturel		Gaz Propane	
	W.C.		10.0	
kPa		.87	2.49	

- **Pression à l'entrée** – Pression du gaz d'arrivée, avant l'entrée du four.
- **Pression au Collecteur** – Pression du gaz à l'entrée du ou des brûleurs principaux.
- **Min** – Pression recommandée pour le fonctionnement du four.
- **Max** – Pression maximale à laquelle le fabricant garantit le fonctionnement du four.

Pour maintenir la bonne pression de gaz, chaque four est livré avec un régulateur. Le régulateur est essentiel pour le fonctionnement correct du four et il ne doit pas être retiré. Il est pré-réglé pour alimenter le four avec une pression de gaz naturel au collecteur de 0,87 kPa (3,5" WC [à la colonne d'eau]) et une pression de propane au collecteur de 2,50 kPa (10,5 WC).

NE PAS INSTALLER DE RÉGULATEUR SUPPLÉMENTAIRE OÙ LE FOUR SE CONNECTE SUR L'ALIMENTATION DE GAZ SAUF SI LA PRESSION D'ENTRÉE EST AU-DESSUS DU MAXIMUM.

À cause de la raréfaction de l'oxygène à des élévations supérieures à 600 mètres, la capacité nominale de l'unité peut nécessiter une réévaluation. (La dimension de l'orifice peut nécessiter un ajustement pour s'accomoder des pressions d'air différentes à de plus hautes altitudes). Si elle n'est pas réévaluée, une combustion incomplète peut se produire dégageant des aldéhydes et du CO ou de l'oxyde de carbone. **Aucun de ces dégagements n'est acceptable et ils peuvent être dangereux pour la santé de l'utilisateur.**

Avant le raccordement du four, veillez à bien purger les conduites de gaz de toutes rognures métalliques, limaille, bavures d'enduit et autres débris. Après le raccordement, vérifiez la pression du gaz.

Les branchements de gaz doivent être en accord avec les codes locaux, ou en l'absence de codes locaux, avec le *Code National du Gaz de Chauffage, ANSI Z223.1 le Code d'Installation du Gaz Naturel CAN/CGA-B149.1* ou le *Code d'Installation du Propane CAN/CGA-B149.2* si applicable.

Le four et sa vanne d'arrêt individuelle doivent être déconnectés du système d'alimentation en cas de test des conduites à pression manométrique supérieure à 1/2 psi (13.85 po à la colonne d'eau ou 3.45 kPa).

En cas de test à pression manométrique de 1/2 psi (13.85 po à la colonne d'eau ou 3.45 kPa) ou moindre, le four doit être isolé du système par la fermeture de sa vanne d'arrêt manuelle individuelle.



RETENUE DU TUYAU DE GAZ

Si le four est monté sur roulettes, un connecteur commercial flexible ayant un diamètre intérieur minimum de 1,9 cm (3/4") doit être utilisé avec un dispositif de connexion rapide.

La retenue, fournie avec le four, doit servir à limiter les mouvements de l'unité de façon qu'aucune tension ne soit placée sur le connecteur flexible. Quand la retenue est entièrement étendue, le connecteur doit être facile à installer et à connecter rapidement.

Ce dispositif (qui consiste en un câble de gros calibre) doit supporter une charge d'épreuve de 1,000 lb. (453 kg) et doit être accroché au mur pour empêcher d'endommager celui-ci. NE vous servez PAS de la canalisation de gaz ni d'une canalisation d'électricité pour y accrocher l'extrémité fixée à demeure du dispositif de retenue ! Servez-vous de boulons d'ancrage dans le béton ou les parpaings. Sur les murs en bois, utilisez des tire-fond à bois à résistance élevée que vous enfoncez dans les montants du mur.

1. Monter la cornière fournie sur le boulon du pied juste au-dessous de l'arrivée de gaz. Voir Figure 16.
2. Fixer l'attache sur le câble de retenue sur la cornière.

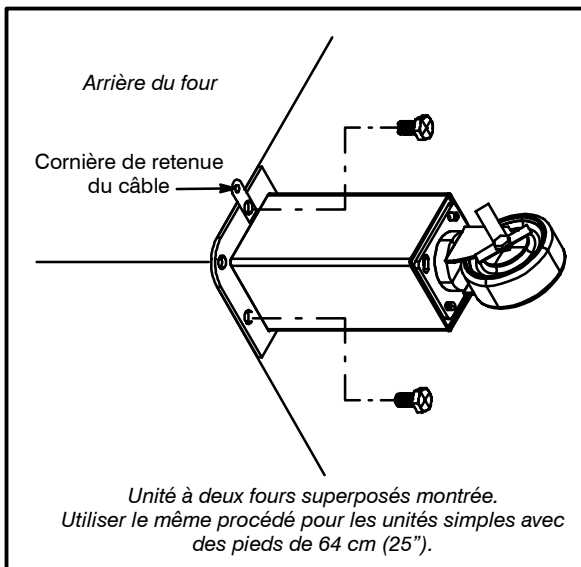


Figure 16



AVERTISSEMENT!!

Si la retenue est déconnectée, quelqu'en soit la raison, elle doit être reconnectée quand le four est remis à sa position d'origine.

Installations aux États-Unis et au Canada

Le coupleur doit être conforme à la *Norme Applicable aux Coupleurs pour Appareils à Gaz Mobiles, ANSI Z21.69* ou *Coupleurs pour Appareils à Gaz Mobiles CAN/CGA-6.16*. Il convient d'utiliser également un dispositif de débranchement rapide conforme à la *Norme Applicable aux Dispositifs de Débranchement Rapide pour Combustibles Gazeux, ANSI Z21.41* ou *Dispositifs de Débranchement Rapide pour Combustibles Gazeux CAN 1-6.9*. Une entrave fixée à une surface immobile doit être prévue pour limiter le mouvement du four et éviter les tensions au niveau du connecteur.



Utilisation

Information de Sécurité

LES INFORMATIONS CONTENUES DANS CETTE SECTION SONT DESTINÉES AU PERSONNEL QUALIFIÉ APPELÉ À UTILISER LE FOUR. ON ENTEND PAR PERSONNEL QUALIFIÉ LE PERSONNEL QUI AURA LU ATTENTIVEMENT LES INFORMATIONS CONTENUES DANS CE MANUEL, CONNAIT BIEN LES FONCTIONS DU FOUR ET/OU POSSEDE UNE EXPÉRIENCE AN-TÉRIEURE DE L'EMPLOI DE L'ÉQUIPEMENT DÉ-CRIT. LE RESPECT DES PROCÉDURES RECOM-MANDÉES DANS CETTE SECTION PERMETTRA D'ATTEINDRE LES PERFORMANCES OPTI-MALES DU SYSTÈME ET D'EN OBTENIR UN SERVICE DURABLE ET SANS ENCOMBRES.



CONSEILS DE SÉCURITÉ

Pour la sécurité, lire avant d'utiliser l'appareil.

Que faire s'il y a une odeur de gaz:

- NE PAS essayer d'allumer l'appareil.
- NE PAS toucher d'interrupteur électrique.
- Utiliser un téléphone extérieur pour appeler immédiatement la compagnie du gaz.
- Si la compagnie du gaz ne répond pas, appeler les pompiers.

Que faire en cas de panne de secteur:

- Fermer tous les interrupteurs.

REMARQUE: Dans le cas d'un arrêt de l'appareil, quel qu'il soit, attendre cinq (5) minutes avant de remettre le four en marche.

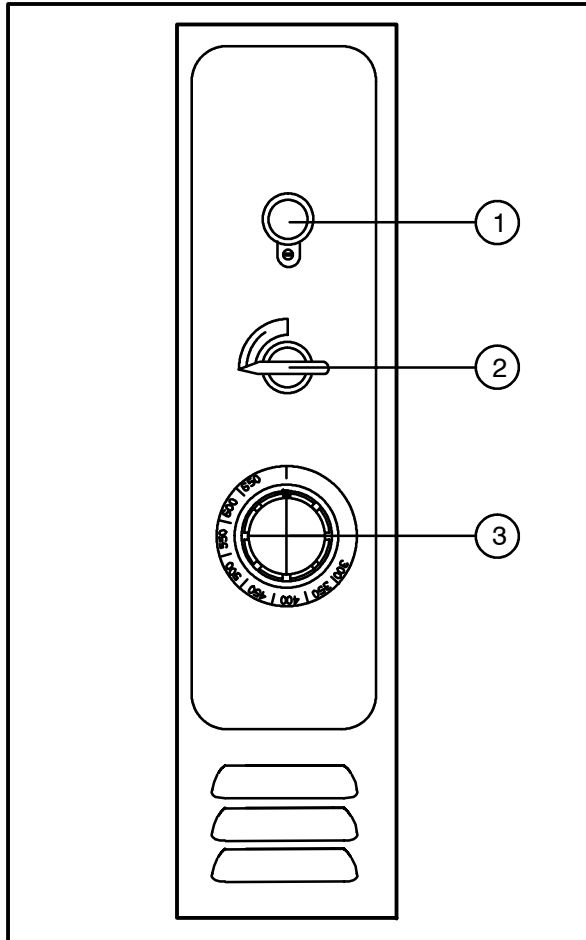
Conseils généraux de sécurité:

- NE PAS utiliser d'outil pour fermer les commandes du gaz. Si le gaz ne peut pas être fermé manuellement ne pas tenter de réparer. Appeler un technicien de service qualifié.
- Si le four doit être déplacé, quel qu'en soit la raison, le gaz doit être fermé et déconnecté de l'unité avant de retirer le câble de retenue. Reconnecter la retenue quand le four a été remis à son emplacement d'origine.
- NE PAS retirer le couvercle du panneau de contrôle sauf si le four est débranché.

Prenez le temps de lire attentivement les instructions qui suivent. Vous y trouverez la clé du succès du four à Blodgett.



Les Commandes du Four



DESCRIPTION DES COMMANDES

1. LA VALVE DE VEILLEUSE AUTOMATIQUE – ferme toute arrivée de gaz lorsque la veilleuse ne fonctionne pas.
2. LA VALVE PRINCIPALE A COMMANDE MANUELLE – procure une commande manuelle de l'arrivée du gaz au brûleur principal par thermostat.
3. LE THERMOSTAT – procure un réglage de la température du four préalablement sélectionnée par l'opérateur du four.

UTILISATION

La mise en service du four de la Série 1060 est aussi simple que 1, 2, 3 – Allumage, Préchauffage et Chargement.

Allumage

1. Placer la VALVE PRINCIPAL À COMMANDE MANUEL (2) dans la position OFF.
2. Appuyer sur le bouton rouge de la VALVE DE VEILLEUSE AUTOMATIQUE (1).
3. Placer une allumette ou une bougie allumée près de la veilleuse.
4. Une fois la veilleuse allumée, continuer à appuyer sur le bouton rouge pendant environ 30 secondes puis relâcher la pression.
5. Tourner la VALVE PRINCIPAL À COMMANDE MANUEL (2) sur la position ON.
6. Régler le THERMOSTAT (3) à la température voulue.

Préchauffage

1. Le premier préchauffage du four doit se faire à une température de 315°C (600°F) sur une période de quatre heures en augmentant de 55°C (100°F) et en commençant à 149°C (300°F). Ouvrir le four de temps en temps pour en vérifier sa bonne marche ce qui permet en même temps de tempérer les plaques en Rokite et de brûler les graisses et résidus de fibre de verre.

REMARQUE: Le four avec plaque en Rokite à une température de préchauffage de 315°C (600°F) a besoin plus 20 minutes de préchauffage.

Chargement

Il faut placer les pizzas en rotation sur la plaque de manière à la laisser récupérer sa perte de température due à la fournée précédente. Ne pas laisser de pizzas ou de récipients se toucher entre-eux ou toucher les parois du four. Ouvrir les portes du four le moins possible.

La plate-forme est conçue pour cuire de la pizza et du pain. Pour la cuisson d'autres produits, vous pouvez utiliser des plateaux ou des récipients.

Arrêt du Four

1. Placer la VALVE PRINCIPAL À COMMANDE MANUEL (1) dans la position OFF.

REMARQUE: Quand le four est fermé en bas, placer la valve principale à contrôle manuel dans la position OFF. Il n'est pas nécessaire à éteindre la flamme de piloté.



Utilisation

Consignes Générales à l'Intention des Utilisateurs

TEMPS ET TEMPÉRATURES

La Température de Cuisson

La température de cuisson varie avec les différents produits. Faire des essais avec les cuissons initiales jusqu'à ce que la combinaison idéale de temps et de température soit trouvée.

Exemple: pizza

1. Faire des essais de cuisson à une température initiale de 260°C (500°F) en notant le temps de cuisson voulu pour obtenir une pâte bien cuite.
2. Si le fromage fond trop rapidement ou s'il roussit, il faut abaisser la température et augmenter le temps de cuisson.
3. Si l'on désire un temps de production plus rapide il faut augmenter la température par 15°C (25°F) à la fois.
4. Notez vos températures optimales pour donner des résultats de cuisson satisfaisants ajoutés à une production maxima.

REMARQUE: A une température élevée le moment où l'on doit retirer la pizza du four est un instant critique.

La Durée de Cuisson

La durée de cuisson varie en fonction de la quantité cuite, du type de plat utilisé et de la température sélectionnée. Hausser la température afin d'accélérer la cuisson est bon jusqu'à un certain point au delà duquel la qualité de cuisson diminue.

CONSEILS DE CUISSON

- Vérifier et doser la pâte pour obtenir un produit constant.
- Faire des essais pour trouver la bonne consistance de la pâte.
- La pâte réfrigérées doivent rester à la température ambiante avant d'être enfournées. Casser les bulles qui se forment quelquefois lors de la cuisson avec de la pâte réfrigérée.
- Alternner l'usage entre la section supérieure et la section inférieure d'un four double.
- Eviter d'ouvrir inutilement la porte du four.
- Alternner le placement des pizzas dans le four.

Nettoyage et Entretien Préventif

NETTOYAGE DES FOURS

Les fours peints et en acier inoxydable peuvent être conservés en bon état si on les nettoie avec une huile légère.

1. Imprégner un chiffon de cette huile et frotter le four lorsque celui-ci est froid.
2. L'essuyer avec un chiffon propre et sec.

Sur les surfaces intérieures et extérieures en acier inoxydable, les dépôts de pâtes, huile, graisse ou les taches peuvent être ôtées à l'aide de l'un good non-toxique nettoyeur industriel d'acier inoxydable.

1. Il faut toujours utiliser ces produits détergents lorsque le four est froid. Il faut toujours frotter dans le sens du grain métallique.

Nettoyer les plaques en Rokite avec une raclette triangulaire semblable à celle utilisée pour nettoyer les grilles d'une rôtissoire. **NE PAS UTILISER D'EAU pour les plaques en Rokite.**

Utiliser un détergent doux pour nettoyer les surfaces intérieures en aluminium. **NE PAS SE SERVIR** de produits caustiques tels que l'ammoniaque, des produits pour lessive, soude. **NE PAS UTILISER** de produits d'entretien domestiques. Ceux-ci abîmeront la couche en aluminium.

Quotidiennement:

- Il faut nettoyer chaque jour les dépôts à l'intérieur des portes avec une balayette ou une brosse.

Par Semaine:

- Brosser également les chambres de combustion et les tableaux de commande au moins une fois par semaine.

Tous les six mois:

- Deux fois par an il faut nettoyer les conduits d'air secondaire, ainsi que les ouvertures d'arrivée d'air.

REMARQUE: Si le four est déplacé, la retenue doit être remise en place quand l'unité est remise à sa position habituelle.

ENTRETIEN PRÉVENTIF

Il doit être assuré par une installation initiale correcte et un programme de nettoyage régulier des fours.

Les fours n'ont pas besoin d'être graissés. Il faut cependant vérifier annuellement le système de ventilation afin d'éviter la détérioration provenant de l'humidité et de la corrosion des produits évacués.

Si des réparations ou de la maintenance est nécessaire, prendre contact avec une entreprise de service Blodgett locale, avec le représentant de l'usine ou avec l'usine.



Entretien

Guide de Détection des Pannes

CAUSE(S) PROBABLE(S)	SUGGESTION
SYMPTOME: Fonds Durs:	
<ul style="list-style-type: none">• Trop de chaleur provenant de la sole• Pression de gaz élevée• Conduit d'aération défectueux (ventilation directe trop forte)• Produit laissé trop longtemps dans le four	<ul style="list-style-type: none">• Réduire la température et augmenter le temps de cuisson• *• *• Écourter le temps de cuisson
SYMPTOME: Cuissons Inégales	
<ul style="list-style-type: none">• Mauvaise ventilation• Portes de four laissées ouvertes trop longtemps• Mauvais dosage de la pâte• Pression de gaz fluctuante• Moules déformés	<ul style="list-style-type: none">• *• Ne pas ouvrir la porte sans nécessité• Mesurer la pâte de manière constante• *• Changer les plats de cuisson
SYMPTOME: Produit Brûlé	
<ul style="list-style-type: none">• Thermostat trop haut• Produit laissé dans le four trop longtemps• Ralenti de la flamme trop fort• Pression de gaz élevée• Thermostat mal calibré• Déflecteurs de chaleur abîmés	<ul style="list-style-type: none">• Réduire la température de cuisson• Écourter le temps de cuisson• *• *• *• *
<p>*Indique un type d'intervention délicate qui devrait être confiée uniquement à un personnel qualifié. Plutôt que d'intervenir personnellement, en tant qu'utilisateur ou acheteur de l'appareil, il est conseillé de confier TOUT réglage et/ou TOUTE réparation à un agent commercial ou représentant local Blodgett. Blodgett ne saura être tenu responsable d'un dommage résultant d'une réparation ou d'un service d'entretien effectué par un personnel non qualifié.</p>	

Guide de Détection des Pannes

CAUSE(S) PROBABLE(S)	SUGGESTION
SYMPTOME: Produit Desséché	
<ul style="list-style-type: none"> • Température du four trop basse • Pas assez d'eau dans la préparation de la pâte • Thermostat mal calibré • Conduit d'aération défectueux (ventilation directe trop forte) 	<ul style="list-style-type: none"> • Augmenter la température de cuisson • Augmenter la quantité d'eau dans le mélange de produit • * • *
SYMPTOME: Temps de Cuisson Prolongé	
<ul style="list-style-type: none"> • Mise en température trop basse • Pression de gaz basse • Ventilation trop forte • Ouverture des portes trop fréquente 	<ul style="list-style-type: none"> • Augmenter le temps de cuisson • * • * • Ne pas ouvrir la porte sans nécessité
<p>*Indique un type d'intervention délicate qui devrait être confiée uniquement à un personnel qualifié. Plutôt que d'intervenir personnellement, en tant qu'utilisateur ou acheteur de l'appareil, il est conseillé de confier TOUT réglage et/ou TOUTE réparation à un agent commercial ou représentant local Blodgett. Blodgett ne saura être tenu responsable d'un dommage résultant d'une réparation ou d'un service d'entretien effectué par un personnel non qualifié.</p>	

Free Manuals Download Website

<http://myh66.com>

<http://usermanuals.us>

<http://www.somanuals.com>

<http://www.4manuals.cc>

<http://www.manual-lib.com>

<http://www.404manual.com>

<http://www.luxmanual.com>

<http://aubethermostatmanual.com>

Golf course search by state

<http://golfingnear.com>

Email search by domain

<http://emailbydomain.com>

Auto manuals search

<http://auto.somanuals.com>

TV manuals search

<http://tv.somanuals.com>