

BLODGETT® **BLODGETT**® **BLODGETT**® **BLODGETT**®

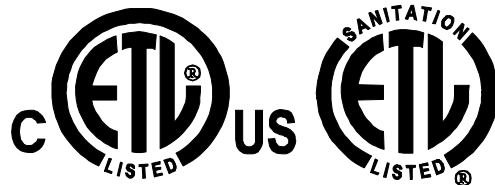
BLODGETT® **BLODGETT**® **BLODGETT**®

BLODGETT® **BLODGETT**® **BLODGETT**® **BLODGETT**®

BLODGETT **COMBI**®

CNV14E AND CNV14G
CONVECTION OVEN
INSTALLATION – OPERATION – MAINTENANCE

CNV14E ET CNV14G
FOURS À CONVECTION
MANUEL D'INSTALLATION – FONCTIONNEMENT – ENTRETIEN



BLODGETT COMBI

www.blodgett.com

50 Lakeside Avenue, Box 586, Burlington, Vermont 05402 USA Telephone (800) 331-5842, (802) 860-3700 Fax: (802)864-0183

PN R10144 Rev A (10/01)

© 2001 – Blodgett Combi

Download from Www.Somanuals.com. All Manuals Search And Download.

**A PERSONAL WORD FROM BLODGETT COMBI
QUELQUES MOTS DE BLODGETT COMBI**

Congratulations on your purchase of a BLODGETT Combi appliance. We firmly believe that your choice has been a wise one, and trust you will receive many years of excellent service from your new Combi.

You will find that cooking with Combi appliances saves time, labor and extensive cleaning of both the kitchen and the unit.

With Combi appliances the quality, taste, consistency, and look of your food are improved, thus endorsing the policy to which we've always adhered: "For Better Cooking!"

Once you've had a chance to use your Combi, please tell us, your dealer and colleagues about any creative and interesting applications you have discovered; exchange ideas with other users. Be sure to advise us or your dealer immediately should any mechanical or technical problems be encountered (...we're here to help!) and above all "Enjoy Cooking the BLODGETT Combi Way!"

For information on cooking, please refer to our separate cooking guide.

Toutes nos félicitations sur votre achat d'appareil de Blodgett Combi. Nous croyons fermement que votre choix est un choix raisonnable et nous sommes certains que vous obtiendrez de nombreuses années d'excellent service de votre nouveau four multi-usages.

Vous allez découvrir que la cuisson dans les appareils Combi économise le temps, le travail et le degré de nettoyage de l'appareil aussi bien que de la cuisine.

Avec les appareil de Combi, la qualité, le goût, la consistance et l'apparence des aliments sont améliorés, s'accordant, de ce fait, avec notre politique "Pour une meilleure cuisson !"

Une fois que vous aurez eu la chance d'utiliser notre Combi, informez nous, votre concessionnaire et vos collègues, de toutes les applications nouvelles et intéressantes que vous avez découvertes ; échangez vos idées avec d'autres utilisateurs. N'hésitez pas à nous prévenir, ou votre concessionnaire, de tout problème mécanique ou technique que vous pourriez rencontrer (... nous sommes ici pour vous aider) et par-dessus tout "Régalez-vous à cuisiner à la façon BLODGETT Combi!"

Pour obtenir de plus amples informations sur l'art culinaire, veuillez consulter notre livre de cuisine séparé.

BLODGETT COMBI®

IMPORTANT

WARNING: IMPROPER INSTALLATION, ADJUSTMENT, ALTERATION, SERVICE OR MAINTENANCE CAN CAUSE PROPERTY DAMAGE, INJURY OR DEATH. READ THE INSTALLATION, OPERATING AND MAINTENANCE INSTRUCTIONS THOROUGHLY BEFORE INSTALLING OR SERVICING THIS EQUIPMENT

AVERTISSEMENT: UNE INSTALLATION, UN AJUSTEMENT, UNE ALTÉRATION, UN SERVICE OU UN ENTRETIEN NON CONFORME AUX NORMES PEUT CAUSER DES DOMMAGES À LA PROPRIÉTÉ, DES BLESSURES OU LA MORT. LISEZ ATTENTIVEMENT LES DIRECTIVES D'INSTALLATION, D'OPÉRATION ET D'ENTRETIEN AVANT DE FAIRE L'INSTALLATION OU L'ENTRETIEN DE CET ÉQUIPEMENT.

INSTRUCTIONS TO BE FOLLOWED IN THE EVENT THE USER SMELLS GAS MUST BE POSTED IN A PROMINENT LOCATION. THIS INFORMATION MAY BE OBTAINED BY CONTACTING YOUR LOCAL GAS SUPPLIER.

LES INSTRUCTIONS À RESPECTER AU CAS OÙ L'UTILISATEUR PERÇOIT UNE ODEUR DE GAZ DOIVENT ÊTRE AFFICHÉES DANS UN ENDROIT BIEN VISIBLE. VOUS POUVEZ VOUS LES PROCURER AUPRÈS DE VOTRE FOURNISSEUR DE GAZ LOCAL.

FOR YOUR SAFETY

Do not store or use gasoline or other flammable vapors or liquids in the vicinity of this or any other appliance.

AVERTISSEMENT

Ne pas entreposer ni utiliser de l'essence ni d'autres vapeurs ou liquides inflammables dans le voisinage de cet appareil, ni de tout autre appareil.

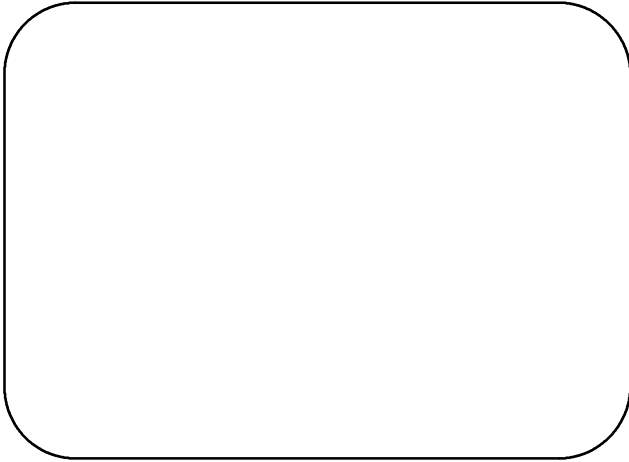
The information contained in this manual is important for the proper installation, use, and maintenance of this oven. Adherence to these procedures and instructions will result in satisfactory baking results and long, trouble free service. Please read this manual carefully and retain it for future reference.

Les informations données dans le présent manuel sont importantes pour installer, utiliser et entretenir correctement ce four. Le respect de ces instructions et procédures permettra d'obtenir de bons résultats de cuisson et une longue durée de service sans problèmes. Veuillez lire le présent manuel et le conserver pour pouvoir vous y reporter à l'avenir.

Errors: Descriptive, typographic or pictorial errors are subject to correction. Specifications are subject to change without notice.

Erreurs: Les erreurs de description, de typographie ou d'illustration font l'objet de corrections. Les caractéristiques sont sujettes à modifications sans préavis.

Your Service Agency's Address:
Adresse de votre agence de service:



Model/Modèle:

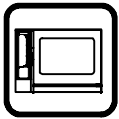
Serial Number/Numéro de série:

Your appliance was installed by/
Installateur de votre four:

Your oven's installation was checked by/
Contrôleur de l'installation de votre four:

Table of Contents/Table des Matières

Introduction		Introduction	
Description of the Blodgett Combi Convection Oven	2	Description du four à convection Combi .	25
Installation		Installation	
Agency Approvals	3	Certifications	26
Owner's Responsibilities	4	Responsabilités du propriétaire	27
Oven Location and Ventilation	5	Emplacement du four et mise de niveau et Ventilation	28
Leg Attachment	6	Montage des pieds	29
Stacking	7	Superposition	30
Oven Leveling	8	Mise de niveau du four	31
Plumbing Connections	9	Raccordement de la plomberie	32
Electrical Connections	10	Raccordement à l'électricité	33
Gas Connections	11	Raccordement au gaz	34
Gas Hose Restraint	13	Câble d'immobilisation du tuyau à gaz ..	36
Adjustments	14	Ajustements	37
Final Check Lists	15	Liste de vérification finale	38
Operation		Fonctionnement	
Safety Information for Gas Units	16	Renseignements sur la sécurité des appareils au gaz	39
Gas Controls	17	Commandes du gaz	40
Standard Controls	18	Commandes standard	41
Optional Cook & Hold	19	Cuisson et Pause en Option	42
Optional Meat Probe	22	Sonde thermique optionnelle	46
Maintenance		Entretien	
Spray Bottle Operating Procedure	23	Procédure de fonctionnement du pulvérisateur	47
Cleaning and Preventive Maintenance ...	24	Nettoyage et entretien préventif	48



Introduction

Description of the Blodgett Combi Convection Oven

Cooking in the Combi Convection Oven differs from cooking in a traditional deck or range oven since heated air is constantly recirculated over the product by a fan in an enclosed chamber. The moving air continually strips away the layer of cool air surrounding the product, quickly allowing the heat to penetrate. The result is a high quality product, cooked at a lower temperature in a shorter amount of time.

Blodgett Combi ovens are quality produced using high-grade stainless steel with first class workmanship.

The two speed fan, which is guarded against accidental finger contact, is driven by a quiet and powerful motor.

The use of high quality insulation impedes excessive heat radiation and saves energy.

The oven has optional adjustable legs which adapt easily to slightly uneven surfaces and optional floor stands which are designed for use with all of the table models.

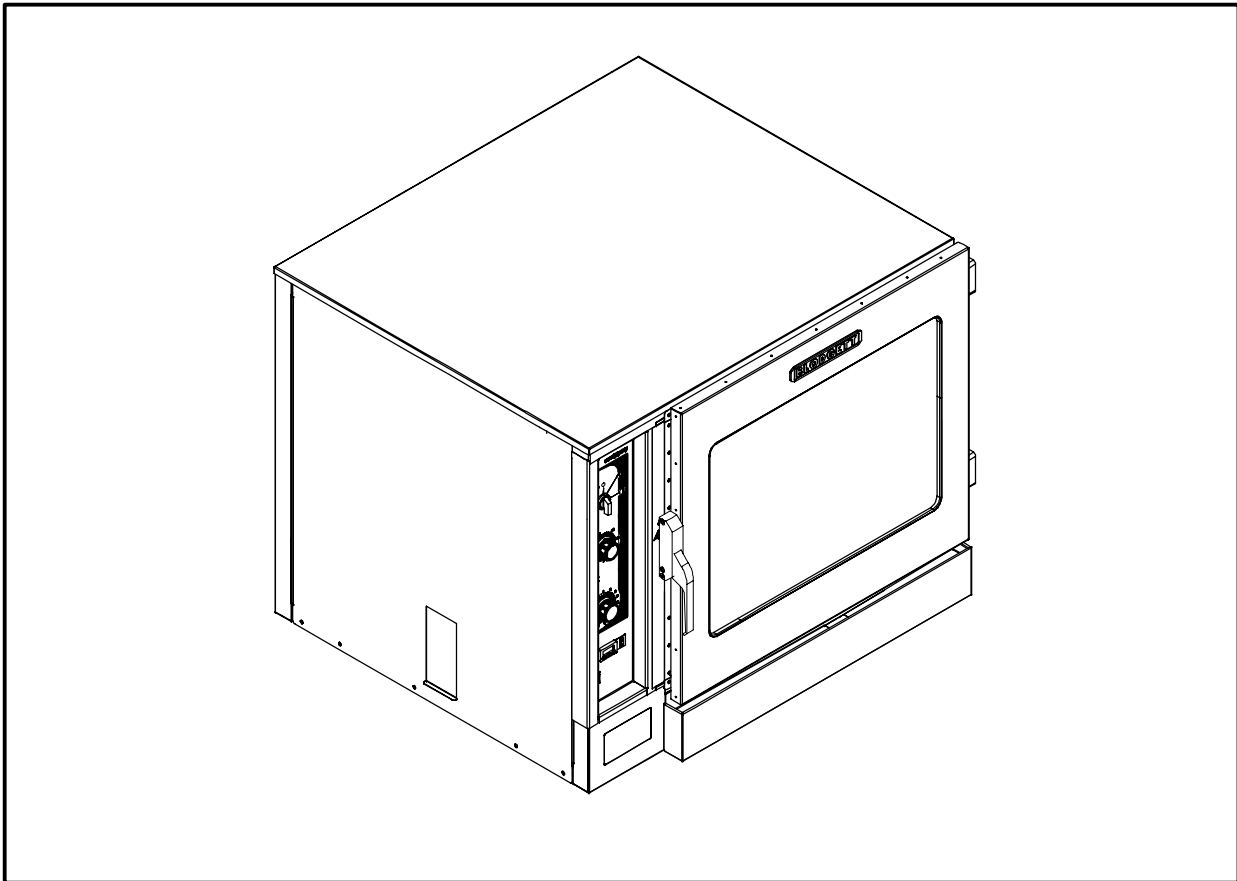


Figure 1



Agency Approvals

THE INSTALLATION INSTRUCTIONS CONTAINED HEREIN ARE FOR THE USE OF QUALIFIED INSTALLATION AND SERVICE PERSONNEL ONLY. INSTALLATION OR SERVICE BY OTHER THAN QUALIFIED PERSONNEL MAY RESULT IN DAMAGE TO THE OVEN AND/OR INJURY TO THE OPERATOR.

Qualified installation personnel are individuals, a firm, a corporation, or a company which either in person or through a representative are engaged in, and are responsible for:

- The installation or replacement of gas piping. The connection, installation, repair or servicing of equipment.
- The installation of electrical wiring from the electric meter, main control box or service outlet to the electric appliance.

Qualified installation personnel must be experienced in such work, be familiar with all precautions required and have complied with all requirements of state or local authorities having jurisdiction.

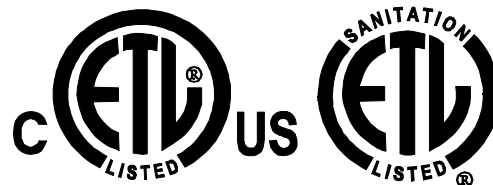
U.S. and Canadian Installations

Installation must conform with local codes, or in the absence of local codes, with the *National Fuel Gas Code, NFPA54/ANSI Z223.1—Latest Edition*, the *Natural Gas Installation Code CAN/CGA-B149.1* or the *Propane Installation Code, CAN/CGA-B149.2* as applicable.

Reference: *National Electrical Code, ANSI/NFPA 70—Latest Edition and/or Canadian Electrical Code CSA C22.1* as applicable.

General Export Installations

Installation must conform with Local and National installation standards. Local installation codes and/or requirements may vary. If you have any questions regarding the proper installation and/or operation of your appliance, please contact your local distributor. If you do not have a local distributor, please call Blodgett Combi at 0011-802-860-3700.





Installation

Owner's Responsibilities

Installation responsibilities prior to service startup inspection

You are entitled to a free start-up inspection service by our factory ASAP. Before a factory representative arrives to perform a startup procedure, the owner must already have satisfied the following requirements.

- Oven(s) are uncrated, stacked (if applies) and put in place.

NOTE: Please refer to Leg Attachment and Stacking.

Maximum shelf loading – 100 lbs (45.5 Kg)

RATINGS – GAS APPLIANCES – CNV14G/AA					
Gas Type	Gas Input	Voltage	Phase	Amps	Motor
U.S. and Canadian Installations					
Natural	65,000 BTU/Hr	208-240	1	15	1/2HP 208-240VAC, 50/60 Hz
		120	1	15	1/2HP 208-240VAC, 50/60 Hz
Propane	65,000 BTU/Hr	208-240	1	15	1/2HP 208-240VAC, 50/60 Hz
		120	1	15	1/2HP 208-240VAC, 50/60 Hz
3/4" FNPT connector for all U.S. and Canadian installations					

RATINGS – ELECTRIC APPLIANCES – CNV14E/AA						
Voltage	Hz	Phase	Max Load (amps)			Motor
			L1	L2	L3	
208	60	1	89	89	–	1/2HP 208-240VAC, 50/60 Hz
208	60	3	52	52	52	1/2HP 208-240VAC, 50/60 Hz
240	60	1	82	82	–	1/2HP 208-240VAC, 50/60 Hz
240	60	3	47	47	47	1/2HP 208-240VAC, 50/60 Hz
480	60	3	23	23	23	1/2HP 208-240VAC, 50/60 Hz
380/220	50	3	25	25	25	1/2HP 208-240VAC, 50/60 Hz
415/240	50	3	27	27	27	1/2HP 208-240VAC, 50/60 Hz
400/230	50	3	26	26	26	1/2HP 208-240VAC, 50/60 Hz



Oven Location and Ventilation

OVEN LOCATION

The well planned and proper placement of your oven will result in long term operator convenience and satisfactory performance.

Certain minimum clearances must be maintained between the oven and any combustible or non-combustible construction. See the table below.

In addition, the following clearances are recommended for servicing.

- Oven body sides – 12” (30cm)
- Oven body back – 12” (30cm)

NOTE: *On gas models, routine servicing can usually be accomplished within the limited movement provided by the gas hose restraint. If the oven needs to be moved further from the wall, the gas must first be turned off and disconnected from the oven before removing the restraint. Reconnect the restraint after the oven has been returned to its normal position.*

Left Side Heat Shield

Heat sources should not be near the air vents located on the left hand side of the gas appliance. Consult the factory for optional protective side heat shield.

CNV14 P/N R9527

Oven Model	MINIMUM REQUIRED CLEARANCES		
	Right Side	Left Side	Back
CNV14E	1” (25.4mm)	4” (101.6mm)	6” (152.4mm)
CNV14G	1” (25.4mm)	6” (152.4mm)	6” (152.4mm)

VENTILATION

The necessity for a properly designed and installed ventilation system cannot be over emphasized. The ventilation system will allow the unit to function properly while removing unwanted vapors and products of combustion from the operating area.

The appliance must be vented with a properly designed mechanically driven exhaust hood. The hood should be sized to completely cover the equipment plus an overhang of at least 6” (15 cm) on all sides not adjacent to a wall. The capacity of the hood should be sized appropriately and provisions made for adequate makeup air.



WARNING!!

Failure to properly vent the oven can be hazardous to the health of the operator; and will result in operational problems, unsatisfactory baking, and possible damage to the equipment. Damage sustained as a direct result of improper ventilation will not be covered by the Manufacturer’s warranty.

U.S. and Canadian Installations

Refer to your local ventilation codes. In the absence of local codes, refer to the National ventilation code titled, “Standard for the Installation of Equipment for the Removal of Smoke and Grease Laden Vapors from Commercial Cooking Equipment”, NFPA-96- Latest Edition.

General Export Installations

Installation must conform with Local and National installation standards. Local installation codes and/or requirements may vary. If you have any questions regarding the proper installation and/or operation of your unit, please contact your local distributor. If you do not have a local distributor, please call Blodgett Combi at 0011-802-860-3700.



Installation

Leg Attachment

LEG OPTIONS

Legs are available in 4" (101mm), 6" (152mm) or 25" (635mm) lengths or low profile casters.

- The 4" (101mm) legs may be used when mounting on a counter.
- The 6" (152.4mm) legs are used on the lower section of a double stacked appliance.
- The 25" (635mm) legs are used for a single appliance located on the floor.

NOTE: For safety reasons, casters must not be used with the 25" (635mm) legs.

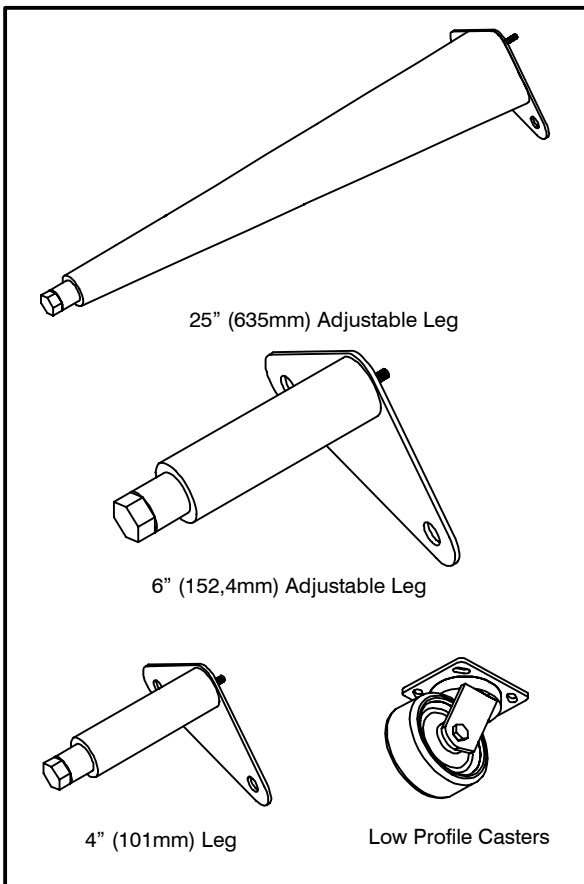


Figure 2

ATTACHMENT

1. Align the threaded stud on one of the front legs to the bolt hole located in the bottom corner of the appliance. Turn the leg clockwise and tighten to the nearest full turn.
2. Align the leg plate holes with the bolt holes. Secure with the two 1/2" bolts provided.
3. Repeat the above steps with the other front leg. *If low profile casters are used, install them with the locking casters in the front of the oven. The rear casters do not lock. **Ensure that the locks are set on the front casters.***
4. Tip the oven up on the newly installed front legs. *If casters are used, check that the locks are set on the front casters.* Repeat the above steps for the rear legs.
5. Except for appliances with casters, level the oven by screwing the adjustable feet in or out as necessary.

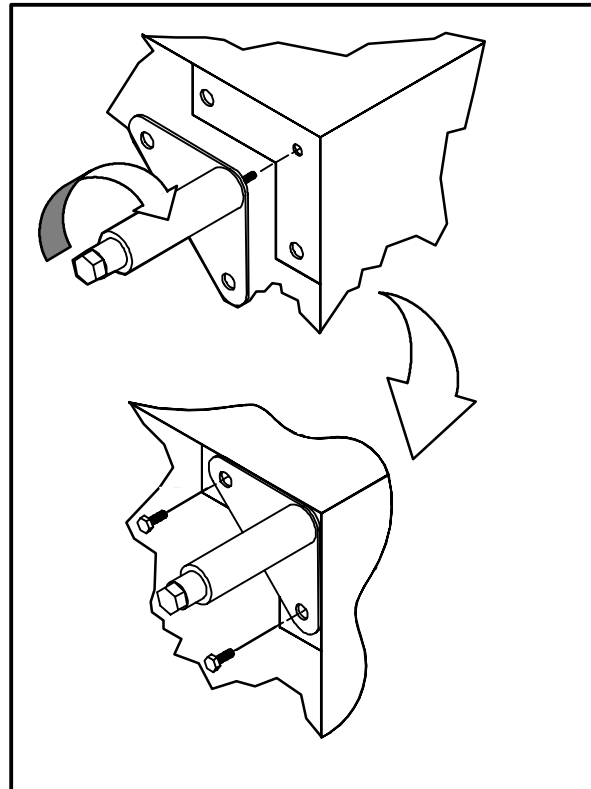


Figure 3



WARNING!!

Stacking should be performed by qualified installation personnel only. The appliances are heavy. Take care to use proper tools and techniques when lifting and stacking appliances.

1. Remove the drip pan from the top appliance.
2. Attach the legs or casters to the bottom appliance. See page 6.
3. Place the BC14 on the CNV14. Be sure all four sides are flush.
4. Bolt the two appliances together using the bolts provided.

5. **GAS APPLIANCES ONLY:** Attach the flue vents as shown.

NOTE: For electric appliances proceed to step 6.

6. Replace the drip pan.
7. Connect the gas (if applicable) and electrical. Refer to pages 10–13.

NOTE: An optional gas manifold may be purchased from Blodgett Combi. Order part number R9570.

NOTE: An optional Drain Assembly/Steam Vent may be purchased from Blodgett Combi. Order part number R9251 for single or top ovens. Order part number R9252 for bottom ovens.

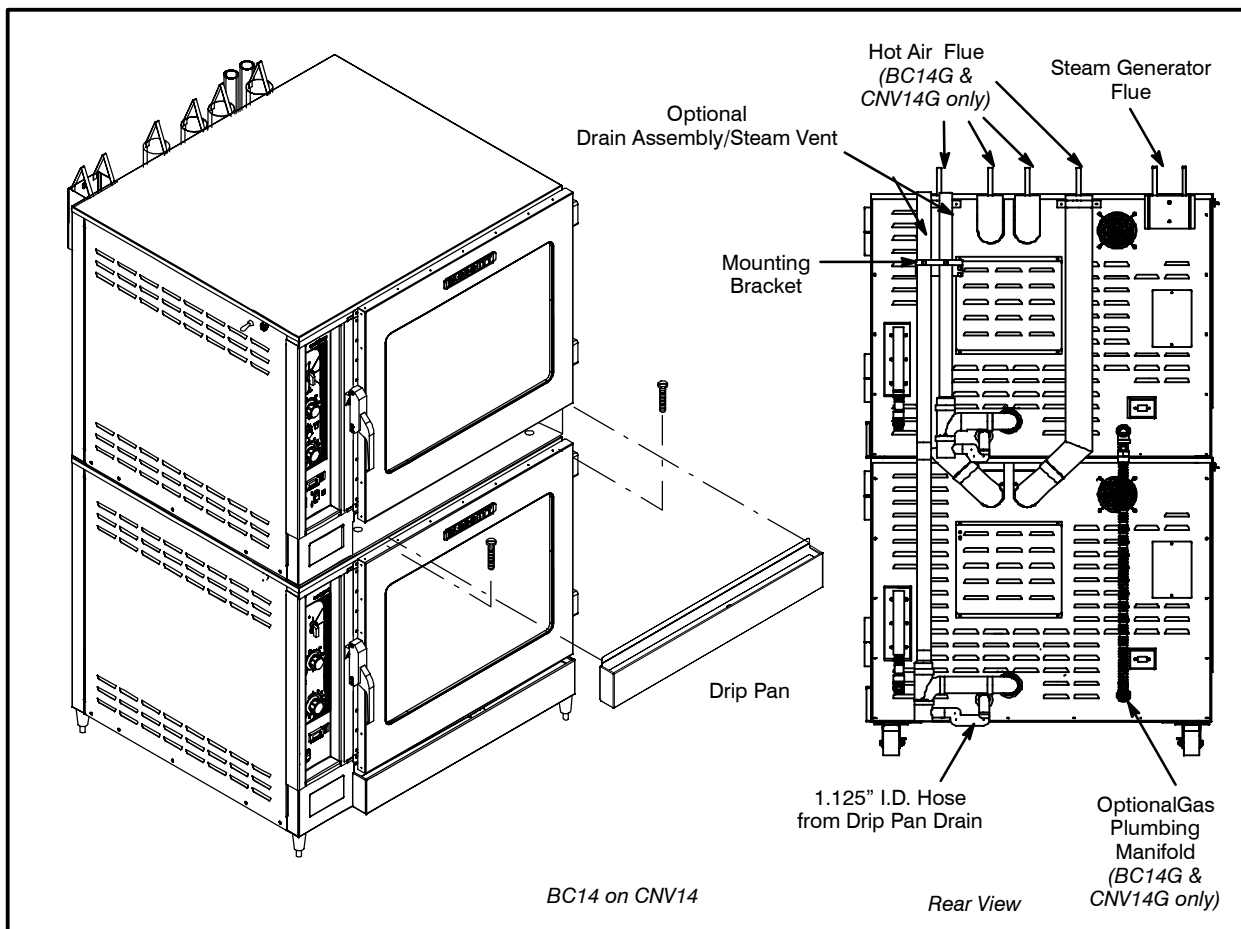


Figure 4



Installation

Oven Leveling

OVEN LEVELING

This oven should be set up in place.

With any stand or oven, be certain that the surface is level, even and solid. A sloped or uneven base may cause the appliance to function improperly. Minor unevenness can be corrected by adjusting the metal leg feet. The maximum adjustment of the leg feet is 1-3/8" (35mm).

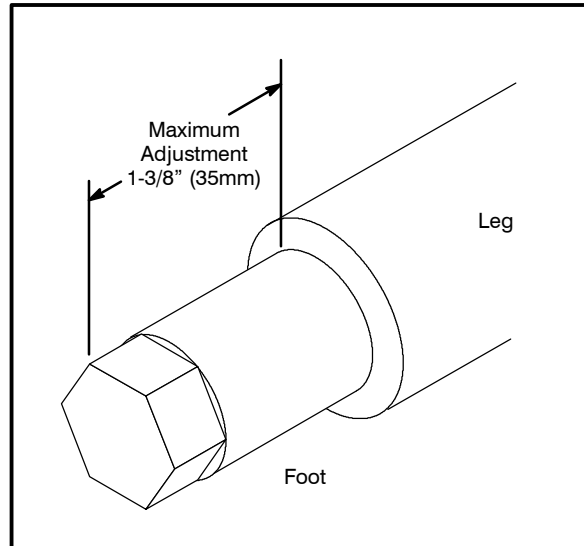


Figure 5



Plumbing Connections

WATER CONNECTION – CNV14E ONLY

NOTE: Hot water maximizes steam production but is not required. Cold water may be supplied to both inlets if hot water is not available.

Connect the appliance to quality water via a pressure hose with 3/4" (19mm) couplings. See Figure 6 for connections. A shut off valve is to be provided adjacent to the oven.



WARNING!!

Operating the appliance without the water regulator installed will invalidate your warranty.

Water must meet the following minimum requirements:

- Total Dissolved Solids (TDS) content will not exceed 30 parts per million.
- Water PH must be 7.0 or higher



WARNING!!

The use of poor quality water will invalidate your warranty.

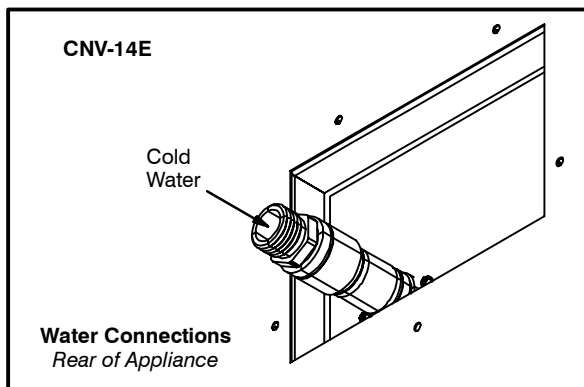


Figure 6

DRAIN CONNECTION

The steam vent assemblies are constructed of 2" DWV copper piping reduced to 1-1/2 DWV pipe. If the vent system is not purchased as an option (R9381), Blodgett Combi recommends plumbing the oven as shown in Figure 7.

The steam vent should be run to an open floor drain avoiding flexible hose that could sag and allow trapped water to accumulate. The customer must supply the piping from the oven to the drain.

Connect the drip pan drain to the steam vent with 1.125 I.D. hose.

Use the drain vent assembly and a 2" (50.8mm) pipe for drain connection.

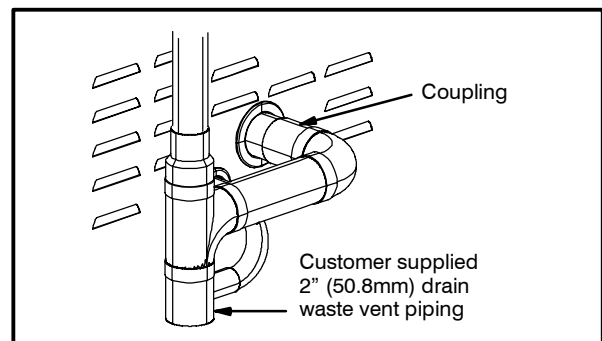


Figure 7

Specific water/drain connection for City of Los Angeles

1. Each drain line from the appliance shall be routed without dips or sags to terminate above the flood level rim of an approved indirect waste receptor.
2. The appliance shall be installed in accordance with the manufacturer's printed instructions and the LAPC and LAMC, 1999 editions.
3. A backflow protection device shall be installed on the potable water system directly ahead of the appliance. The backflow protection device shall be any of the following: an approved pressure type vacuum breaker installed at least 12" above the highest point of use, a double check valve backflow preventer or a reduced pressure principal backflow preventer.



Installation

Electrical Connections

All Models

NOTE: Electrical connections must be performed by a qualified installer only.

Before making any electrical connections to these appliances, check that the power supply is adequate for the voltage, amperage, and phase requirements stated on the rating name plate mounted on the appliance.

The circuit breaker that is used to provide power to this appliance must have a minimum of .076" (3mm) contact spacing. The circuit breaker must meet all Local and National installation standards.

All appliances must be installed in accordance with Local or National Electrical codes.

A wiring schematic is located on the inside of the removeable side panel.

NOTE: Disconnect the power supply to the appliance before servicing.



WARNING!!

Improper installation will invalidate your warranty.

Electric Models

A strain relief for the power supply cord is required. The installer must supply a cord bushing that meets all Local and National installation standards.

Gas Models

U.S. and Canadian Installations

A power cord (115V or 230V) is supplied with a plug attached. Plug the power cord into the desired receptacle.

Export Installations

A 230V 13 amp fused power cord is supplied with a plug attached. Plug the power cord into the appropriate receptacle.

See Figure 8 for power cord routing and connections to the line filter.



WARNING!!

If the supply cord is damaged, it must be replaced by a special cord or assembly available from the manufacturer or its service agent.

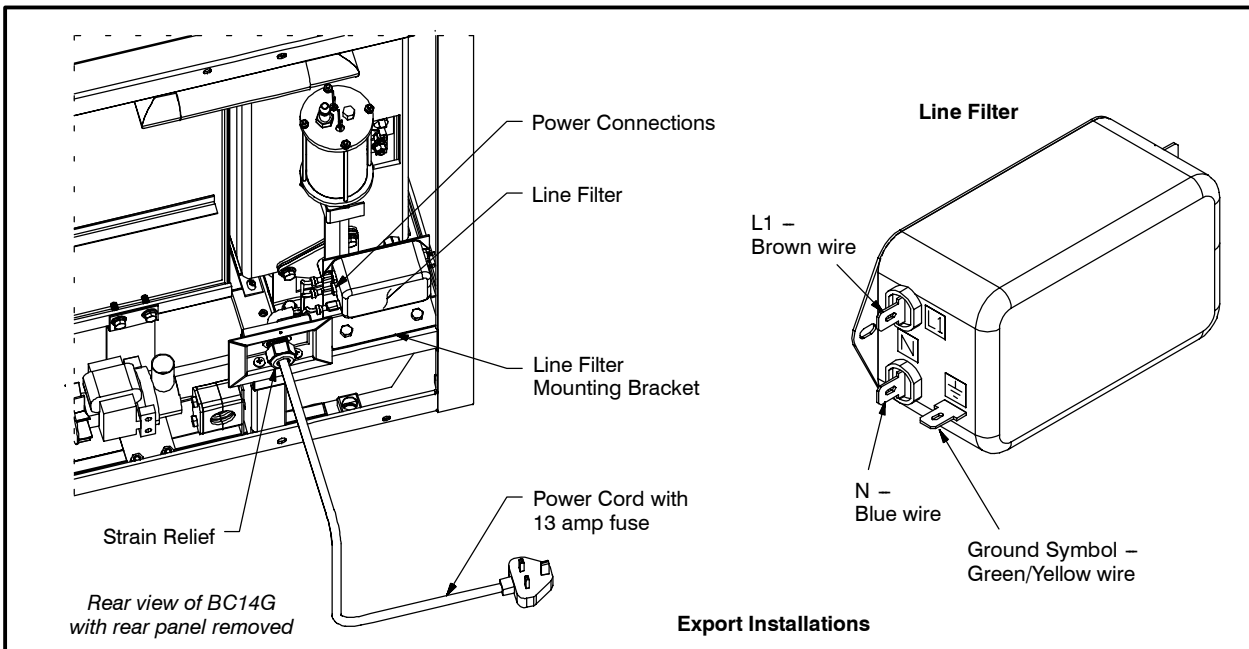


Figure 8



Gas Connections

GAS PIPING

A properly sized gas supply system is essential for maximum oven performance. Piping should be sized to provide a supply of gas sufficient to meet the maximum demand of all appliances on the line without loss of pressure at the equipment.

Example:

NOTE: BTU values in the following example are for natural gas.

You purchase a CNV14G to add to your existing cook line.

- Add the BTU rating of your current appliances.

Pitco Fryer	120,000 BTU
6 Burner Range	60,000 BTU
Deck Oven	<u>50,000 BTU</u>
Total	230,000 BTU
- Add the BTU rating of the new oven to the total.

Previous Total	230,000 BTU
CNV14G	<u>65,000 BTU</u>
New Total	295,000 BTU
- Measure the distance from the gas meter to the cook line. This is the pipe length. Let's say the pipe length is 30' (9 m) and the pipe size is 1" (2.54 cm).
- Use the appropriate table to determine the total capacity of your current gas piping.

The total capacity for this example is 375,000 BTU. Since the total required gas pressure, 295,000 BTU is less than 375,000 BTU, the current gas piping will not have to be increased.

NOTE: The BTU capacities given in the tables are for straight pipe lengths only. Any elbows or other fittings will decrease pipe capacities. For example: a schedule 40 1-1/2" ell fitting has an equivalent capacity of 4.2" (10.2 cm) of straight pipe. Contact your local gas supplier if you have any questions.

Maximum Capacity of Iron Pipe in Cubic Feet of Natural Gas Per Hour
(Pressure drop of 0.5 Inch W.C.)

Pipe Length (ft)	Nominal Size, Inches				
	3/4"	1"	1-1/4"	1-1/2"	2"
10	360	680	1400	2100	3950
20	250	465	950	1460	2750
30	200	375	770	1180	2200
40	170	320	660	990	1900
50	151	285	580	900	1680
60	138	260	530	810	1520
70	125	240	490	750	1400
80	118	220	460	690	1300
90	110	205	430	650	1220
100	103	195	400	620	1150

From the National Fuel Gas Code Part 10 Table 10-2

Maximum Capacity of Pipe in Thousands of BTU/hr of Undiluted P.P. Gas at 11" W.C.
(Pressure drop of 0.5 Inch W.C.)

Pipe Length (ft)	Inside Diameter, Inches		
	3/4"	1"	1-1/2"
10	608	1146	3525
20	418	788	2423
30	336	632	1946
40	287	541	1665
50	255	480	1476
60	231	435	1337
70	215	404	1241
80	198	372	1144
90	187	351	1079
100	175	330	1014

From the National Fuel Gas Code Part 10 Table 10-15



Installation

Gas Connections

PRESSURE REGULATION AND TESTING

The gas pressure to the appliance must be rated for each appliance while the burners are on. A sufficient gas pressure must be present at the inlet to satisfy these conditions. Refer to the table below for correct gas pressure.

Each appliance has been adjusted at the factory to operate with the type of gas specified on the rating plate attached to the right side of the appliance.

Each oven is supplied with a regulator to maintain the proper gas pressure. **The regulator is essential to the proper operation of the oven and should not be removed.**

DO NOT INSTALL AN ADDITIONAL REGULATOR WHERE THE UNIT CONNECTS TO THE GAS SUPPLY UNLESS THE INLET PRESSURE IS GREATER THAN 14" W.C. (1/2 PSI) (37mbar).

The oven and its individual shutoff valve must be disconnected from the gas supply piping system during any pressure testing of that system at test pressures in excess of 1/2 psig (3.45kPa).

The oven must be isolated from the gas supply piping system by closing its individual manual

shutoff valve during any pressure testing of the gas piping system at test pressures equal or less than 1/2 psig (3.45kPa).

Prior to connecting the appliance, gas lines should be thoroughly purged of all metal filings, shavings, pipe dope, and other debris. After connection, the appliance must be checked for correct gas pressure.

U.S. and Canadian Installations

Installation must conform with local codes, or in the absence of local codes, with the *National Fuel Gas Code, NFPA54/ANSI Z223.1—Latest Edition*, the *Natural Gas Installation Code CAN/CGA-B149.1* or the *Propane Installation Code, CAN/CGA-B149.2* as applicable.

General Export Installations

Installation must conform with Local and National installation standards. Local installation codes and/or requirements may vary. If you have any questions regarding the proper installation and/or operation of your appliance, please contact your local distributor. If you do not have a local distributor, please call Blodgett Combi at 0011-802-860-3700.

GAS PRESSURE					
Gas Type	Inlet Pressure	Orifice Size at Sea Level		Manifold Pressure	
		Hot Air	Steam	Hot Air	Steam
U.S. and Canadian Installations					
Natural	7–14" W.C.	.0531" dia	.042" dia	3.5" W.C.	3.5" W.C.
Propane	12–14" W.C.	.032" dia	.026" dia	10.0" W.C.	10.0" W.C.



Gas Hose Restraint

If the appliance is mounted on casters, a commercial flexible connector with a minimum of 3/4" (1.9 cm) inside diameter must be used along with a quick connect device.

The restraint, supplied with the appliance, must be used to limit the movement of the appliance so that no strain is placed upon the flexible connector. The restraint should be fastened to the base frame of the oven as close to the flexible connector as possible. It should be short enough to prevent any strain on the connector. With the restraint fully stretched the connector should be easy to install and quick connect.

The restraint (ie: heavy gauge cable) should be attached without damaging the building. **DO NOT** use the gas piping or electrical conduit for the attachment of the permanent end of the restraint! Use anchor bolts in concrete or cement block. On wooden walls, drive hi test wood lag screws into the studs of the wall.

WARNING!!

If the restraint is disconnected for any reason it must be reconnected when the appliance is returned to its original position.

U.S. and Canadian installations

The connector must comply with the *Standard for Connectors for Movable Gas Appliances, ANSI Z21.69* or *Connectors For Moveable Gas Appliances CAN/CGA-6.16* and a quick disconnect device that complies with the *Standard for Quick-Disconnect Devices for Use With Gas Fuel, ANSI Z21.41* or *Quick Disconnect For Use With Gas Fuel CAN 1-6.9*. Adequate means must be provided to limit the movement of the appliance without depending on the connection and the quick disconnect device or its associated piping.

A drip leg must be used at each appliance. Refer to *NFPA54/ANSI Z223.1 - Latest Edition* (National Fuel Gas Code) for proper drip leg installation.

General export installations

Installation must conform with Local and National installation standards. Local installation codes and/or requirements may vary. If you have any questions regarding the proper installation and/or operation of your appliance, please contact your local distributor. If you do not have a local distributor, please call Blodgett Combi at 0011-802-860-3700.

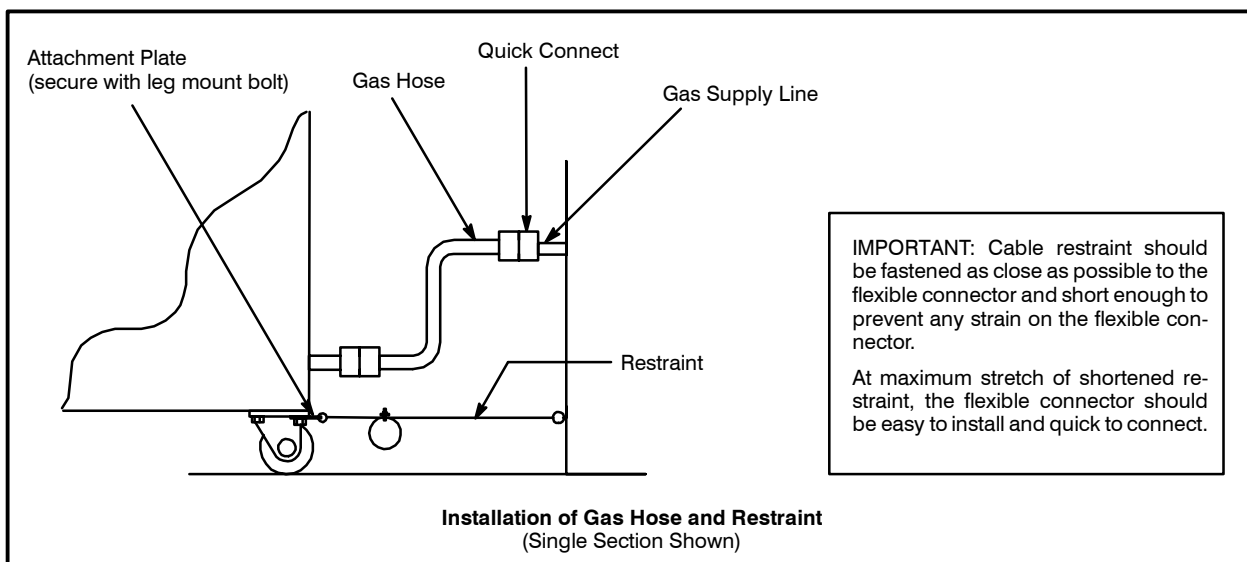


Figure 9



Installation

Adjustments

Before applying power to the appliance for the first time, check for the following conditions:

- All electrical safety provisions have been adhered to and the electrical connections are correct.
- The bake enhancer and holder are in their proper positions.
- The pan holders are inserted into the oven cavity.

DOOR ADJUSTMENT

The door catch may be adjusted in two directions, in and out, and up and down, using the following procedure:

1. Adjust up and down by loosening the two bolts holding the catch to the face of the appliance. See Figure 10 (A).
2. Make adjustments so that the leading face of the latch is centered in the opening of the handle assembly.
3. Tighten the bolts so that there is no further movement.
4. Adjust in and out by loosening the bolt on top of the catch. See Figure 10 (B).
5. The adjustment face is stepped so that movement is limited with the bolt tightened properly.
6. The adjustment is correct when the door closes firmly and no steam leaks from the gasket.

The hinges can also be adjusted as follows:

1. Be certain the latch is adjusted properly.
2. Adjust hinges so that the door back and the appliance face are parallel. See Figure 10 (C).
3. The adjustment is correct when no steam leaks through the gasket.

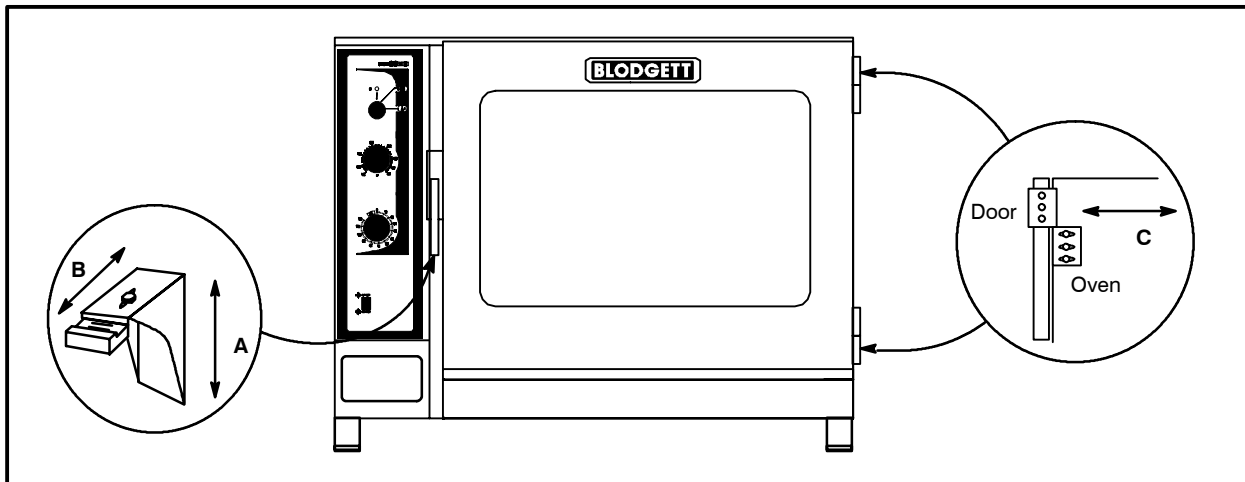


Figure 10



Final Check Lists



WARNING!!

Final check list must be performed by a qualified installer only.

ELECTRICAL CONTROL COMPARTMENT

- Voltage to appliance matches rating plate

PLUMBING FINAL CHECK – CNV14E ONLY

- Incoming water pressure within appliances of specification
- Atmospheric vented drain in place
- Water solenoid properly bracketed and not leaking
- Water feed lines intact without leaks
- Optional Spray Hose connected properly. Connect the optional spray hose to the fill solenoid as shown.

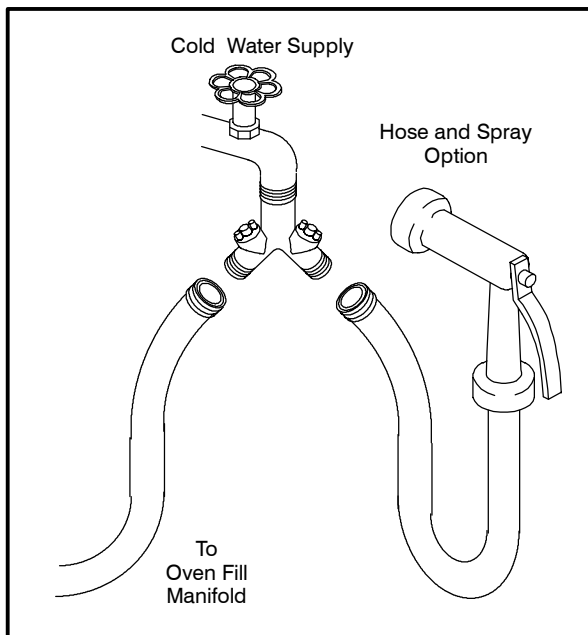


Figure 11

OVEN OPERATIONAL TESTS

NOTE: Checks to be made by customer or authorized service agent.

Cool Down Mode

- Check that the fan runs with the door open.

Hot Air Mode

Turn to HOT AIR mode and set thermostat to 400°F (204°C) and verify:

- Heat demand light is on
- Oven is heating properly
- Heat lights shuts off at 400°F (204°C) and oven maintains 400°F (204°C).
- Fan shuts off with door open.



Operation

Safety Information for Gas Units

THE INFORMATION CONTAINED IN THIS SECTION IS PROVIDED FOR THE USE OF QUALIFIED OPERATING PERSONNEL. QUALIFIED OPERATING PERSONNEL ARE THOSE WHO HAVE CAREFULLY READ THE INFORMATION CONTAINED IN THIS MANUAL, ARE FAMILIAR WITH THE FUNCTIONS OF THE OVEN AND/OR HAVE HAD PREVIOUS EXPERIENCE WITH THE OPERATION OF THE EQUIPMENT DESCRIBED. ADHERENCE TO THE PROCEDURES RECOMMENDED HEREIN WILL ASSURE THE ACHIEVEMENT OF OPTIMUM PERFORMANCE AND LONG, TROUBLE-FREE SERVICE.

Please take the time to read the following safety and operating instructions. They are the key to the successful operation of your Blodgett Combi appliance.



SAFETY TIPS

For your safety read before operating

What to do if you smell gas:

- DO NOT try to light any appliance.
- DO NOT touch any electrical switches.
- Use an exterior phone to call your gas supplier immediately.
- If you cannot reach your gas supplier, call the fire department.

What to do in the event of a power failure:

- Turn all switches to off.
- DO NOT attempt to operate the appliance until the power is restored.

NOTE: In the event of a shut-down of any kind, allow a five (5) minute shut off period before attempting to restart the oven.

General safety tips:

- DO NOT use tools to turn off the gas control. If the gas cannot be turned off manually do not try to repair it. Call a qualified service technician.
- If the oven needs to be moved for any reason, the gas must be turned off and disconnected from the appliance before removing the restraint cable. Reconnect the restraint after the oven has been returned to its original location.
- DO NOT remove the control panel cover unless the oven is unplugged.



Gas Controls

CONTROLS IDENTIFICATION

The gas controls are located behind the small door under the control panel.

1. **MANUAL GAS VALVE** – Use to turn gas on or off.
2. **GAS ON POSITION** – Turn the knob to this position to open the gas valve.
3. **GAS OFF POSITION** – Turn the knob to this position to close the gas valve.

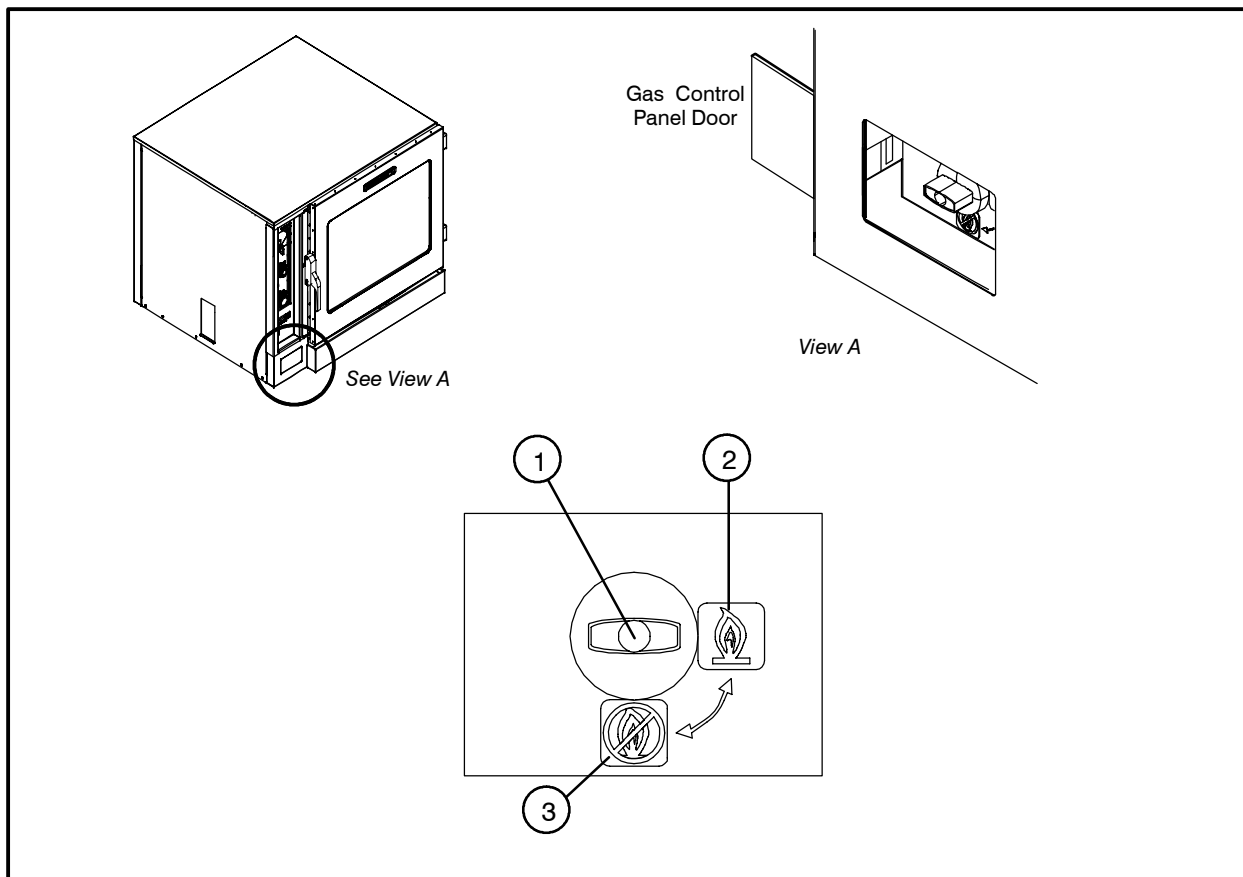


Figure 12



Operation

Standard Controls

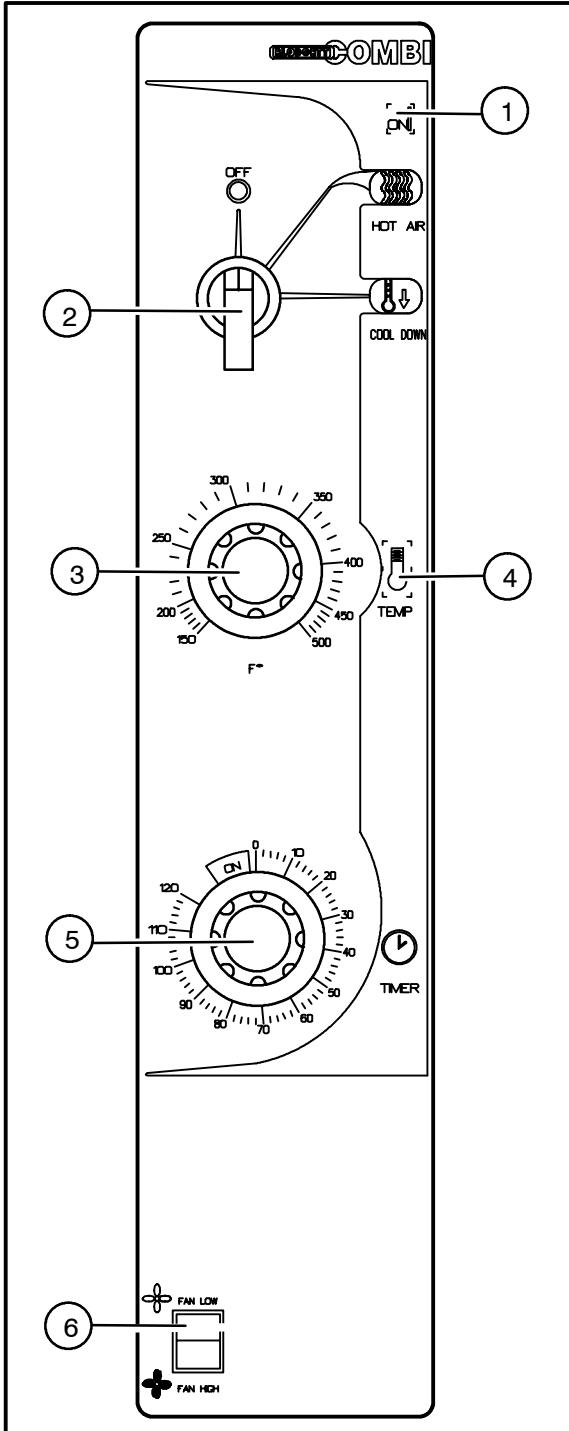


Figure 13

CONTROLS IDENTIFICATION

1. **POWER ON LIGHT** – when lit indicates power to the unit is turned on.
2. **SELECTOR SWITCH** – allows selection of Hot Air or Cool Down Mode.
3. **TEMPERATURE DIAL** – used to set desired cooking temperature.
4. **HEATING INDICATOR LIGHT** – lights when the Hot Air heating is in operation.
5. **TIMER DIAL** – used to set desired cook time.
6. **FAN SPEED SWITCH** – used to select LOW or HIGH speed

OPERATION

1. Turn the SELECTOR switch (2) to *HOT AIR*.
2. Load product into the oven when ready.
3. Turn the TEMPERATURE DIAL (3) to the desired temperature.
4. Turn the TIMER DIAL (5) to the desired cook time.
5. At the end of the specified time period, the buzzer sounds and the appliance shuts off automatically. Move the timer to the *STAY ON* position to stop the buzzer and restart the unit.
6. Turn the SELECTOR switch (2) to the *COOL-DOWN* position.

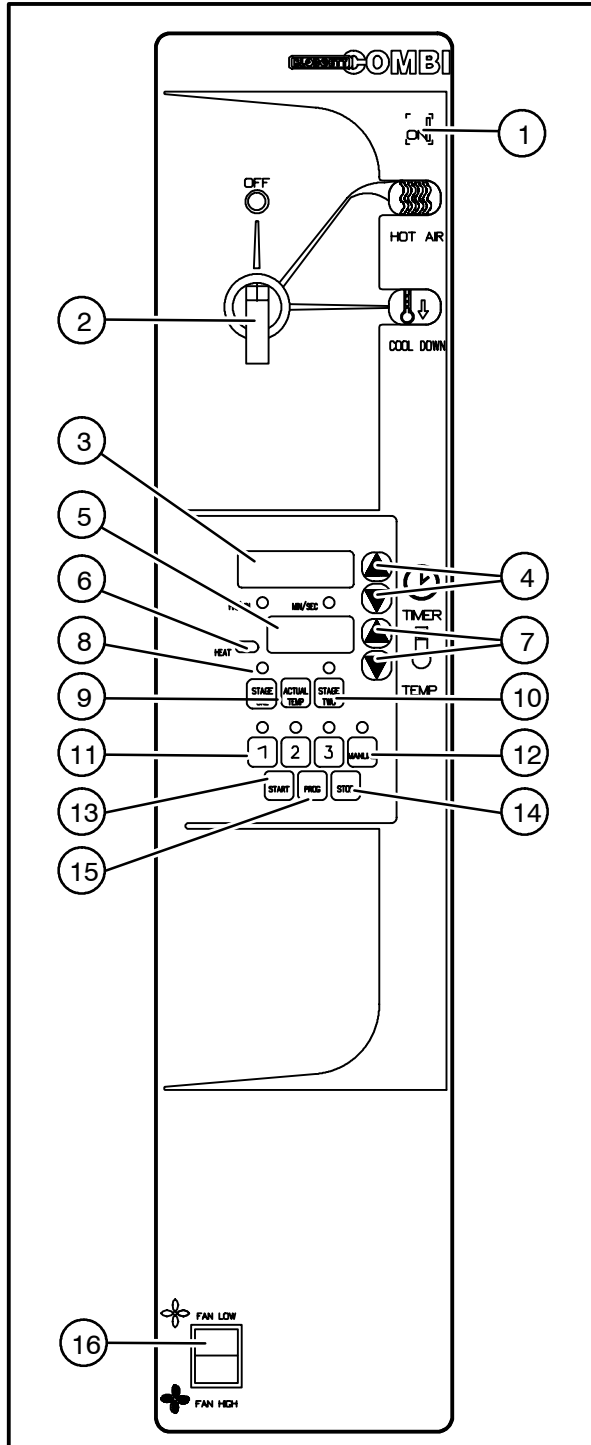


Figure 14

CONTROLS IDENTIFICATION

1. **POWER ON LIGHT** – when lit indicates power to the unit is turned on.
2. **MODE SELECTOR SWITCH** – controls power to the oven and selection of hot air and cool down modes. The convection fan runs with the switch in hot air or cool down.
3. **TIME DISPLAY** – gives cook time.
4. **TIME ARROW KEYS** – press to enter cook time from 00:00 to 99:59.
5. **TEMPERATURE DISPLAY** – gives cook temperature.
6. **HEAT LIGHT** – when lit indicates hot air is in operation.
7. **TEMPERATURE ARROW KEYS** – press to enter cook temperature from 140–500°F (60–260°C).
8. **STAGE ONE LED** – when lit indicates operation or programming of stage one for the current product. Cook cycles may contain one or two different stages.
9. **ACTUAL TEMP KEY** – press to display actual oven temperature
10. **STAGE TWO KEY** – press to enter stage two cook time and temperature.
11. **PRODUCT KEYS** – three programmable keys.
12. **MANUAL PRODUCT KEY** – default product key used for manual and programmed cooking.
13. **START KEY** – press to begin a cook cycle.
14. **STOP KEY** – press to silence audible alarms and pause or cancel cook cycles.
15. **PROGRAM KEY** – press to enter programming mode and save programmed settings.
16. **FAN SPEED SWITCH** – used to select LOW or HIGH speed



Operation

Optional Cook & Hold

MANUAL OPERATION

1. Turn the SELECTOR SWITCH (2) to *HOT AIR*. The LED above the manual key lights.
2. Press the TEMPERATURE ARROW KEYS (7) to set the stage one cook temperature.
3. Press the TIME ARROW KEYS (4) to set the stage one cook time.
4. Press the STAGE TWO KEY (10).

NOTE: Stage two can be used for either a hold mode or a second cook temperature. Example: Cook meats or poultry at a low temperature for maximum moisture retention, then set the second stage for browning. To use the second stage for holding, you must set an appropriate hold time for the unit to count down from.

NOTE: If stage two is not required enter a cook time of 00:00.

5. Press the TEMPERATURE ARROW KEYS (7) to set the stage two cook temperature.
6. Press the TIME ARROW KEYS (4) to set the stage two cook time.
7. Press the START KEY (13) to begin the cook cycle. The STAGE ONE LED (8) lights. The TIME DISPLAY (3) counts down the stage one cook time.

If stage two is selected an alarm sounds at the end of stage one. The time display counts down the stage two cook time.

8. When all cook stages are complete the TIME DISPLAY (3) flashes 00:00, the TEMPERATURE DISPLAY (5) flashes 0 and an audible alarm sounds. Press the STOP KEY (14) to silence the alarm. The control maintains the stage one cook temperature.
9. Turn the SELECTOR SWITCH (2) to *OFF* to shut down the oven.

NOTE: Time and temperature settings may be changed at any time during manual operation. Press the time arrow keys to change the cook time. Press the temperature arrow keys to change the cook temperature.

PROGRAMMED OPERATION

NOTE: See page 21 for programming instructions.

1. Turn the SELECTOR SWITCH (2) to *HOT AIR*.
2. Press the desired PRODUCT KEY (11). The LED above the selected key lights.
3. Press the START KEY (13) to begin the cook cycle. The STAGE ONE LED (8) lights. The TIME DISPLAY (3) counts down the stage one cook time.

NOTE: Press the STOP KEY (14) once to pause an active stage one cycle. Press the START KEY (13) to resume.

NOTE: Press the STOP KEY (14) twice to cancel an active stage one cycle.

4. An alarm sounds at the end of stage one. The time display counts down the stage two cook time.

NOTE: Press the STOP KEY (14) once to cancel an active stage two cycle. Stage two cycles cannot be paused.

5. When all cook stages are complete, the TIME DISPLAY (3) flashes 00:00, the TEMPERATURE DISPLAY (5) flashes 0 and an audible alarm sounds. Press the STOP KEY (14) to silence the alarm. The control maintains the stage one cook temperature.



PROGRAMMING THE PRODUCT KEYS

1. Turn the SELECTOR SWITCH (2) to *HOT AIR*.
2. Press the desired PRODUCT KEY (11).
3. Press and hold the PROGRAM KEY (15) for five seconds. The control beeps. The product key LED and STAGE ONE LED (8) light.
4. Press the TEMPERATURE ARROW KEYS (7) to set the stage one cook temperature.
5. Press the TIME ARROW KEYS (4) to set the stage one cook time.
6. Press the STAGE TWO KEY (10).

NOTE: Stage two can be used for either a hold mode or a second cook temperature. Example: Cook meats or poultry at a low temperature for maximum moisture retention, then set the second stage for browning. To use the second stage for holding, you must set an appropriate hold time for the unit to count down from.

NOTE: If stage two is not required enter a cook time of 00:00.

7. Press the TEMPERATURE ARROW KEYS (7) to set the stage two cook temperature.
8. Press the TIME ARROW KEYS (4) to set the stage two cook time.
9. Press and hold the PROGRAM KEY (15) to save the program settings.

PROGRAMMING THE MANUAL KEY

NOTE: The manual key may be used for manual and programmed cooking.

1. Turn the SELECTOR SWITCH (2) to *HOT AIR*.
2. Press the MANUAL KEY (12). The LED above the manual key lights.
3. Press the TEMPERATURE ARROW KEYS (7) to set the stage one cook temperature.
4. Press the TIME ARROW KEYS (4) to set the stage one cook time.
5. Press the STAGE TWO KEY (10).

NOTE: Stage two can be used for either a hold mode or a second cook temperature. Example: Cook meats or poultry at a low temperature for maximum moisture retention, then set the second stage for browning. To use the second stage for holding, you must set an appropriate hold time for the unit to count down from.

NOTE: If stage two is not required enter a cook time of 00:00.

6. Press the TEMPERATURE ARROW KEYS (7) to set the stage two cook temperature.
7. Press the TIME ARROW KEYS (4) to set the stage two cook time.
8. Press and hold the PROGRAM KEY (15) to save the program settings.

NOTE: Time and temperature settings may be changed at any time during operation of a programmed manual key. Press the time arrow keys to change the cook time. Press the temperature arrow keys to change the cook temperature.



Operation

Optional Meat Probe

CONTROLS IDENTIFICATION

1. **MEAT PROBE SWITCH** – controls power to the meat probe.
2. **MEAT PROBE CONTROL** – use to set the desired probe temperature. Indicates the actual temperature of the product
3. **MEAT PROBE CONNECTOR** – receptacle for the plug in meat probe.

NOTE: For sanitation purposes it is recommended that the meat probe remain plugged into the front panel receptacle at all times.

OPERATION

Measuring the product core temperatures during long roasting periods is very practical. It is especially important for products such as Roast Beef to reach a specific internal temperature.

Place the probe through to the middle of the product's thickest section. Be sure the probe does not touch any bone and the tip is not in a fat pocket. These conditions can cause inaccurate readings.

1. Set the MODE SELECTOR Switch to Hot Air.
2. Turn the MEAT PROBE Switch (1) to ON.
3. To set the desired core temperature press and hold the * BUTTON (4) on the MEAT PROBE CONTROL (2).

Use the up arrow key (6) to increase the set-point temperature. Use the down arrow key (5) to decrease the setpoint temperature.

4. Set the TIMER to *STAY ON*. The cooking process runs automatically.

When the selected core temperature is reached, the buzzer will sound and the appliance shuts off automatically.

The temperature and mode can be changed at any time during the process.

5. Shut the appliance off by setting all switches to OFF.

NOTE: When setting the internal temperature, be sure to allow for carry-over cooking after the roast is removed from the oven

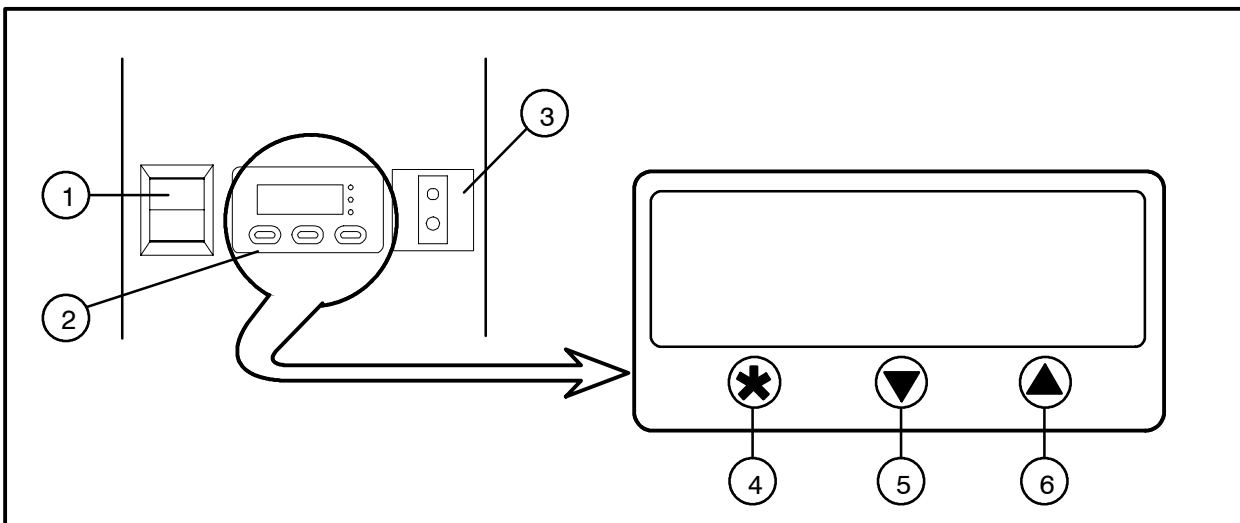


Figure 15



Spray Bottle Operating Procedure

NOTE: Use good, non-toxic industrial stainless steel cleaner. DO NOT use corrosive cleaners on the Oven/Steamer.

1. Unscrew the sprayer head and fill the container to the MAX mark. Screw the head assembly on firmly to ensure an airtight seal. The liquid must be clean and free from foreign matter. Do not overfill - space must be left for compressing air.
2. To build up pressure, pump approximately 20 full strokes when the container is filled with liquid. The higher the pressure, the finer the spray. If the container is only partially filled, then more pumping is required to compress the additional air space.
3. To spray, depress the trigger with your thumb.
4. After a period of spraying, the pressure will drop. Restore the pressure by operating the air pump.
5. Release pressure after use by inverting the spray head and depressing the trigger or by slowly unscrewing the spray head assembly which will allow air to escape from around the filling aperture.
6. After use, rinse the spray bottle with clean water and check that the hole in the nozzle is perfectly clean and clear. Warm water (not hot) used with a household detergent is a useful cleaning agent for this purpose.

NOTE: Further information can be found in the instruction leaflet supplied with your spray bottle.



WARNING!!

Protective clothing and eyewear should be worn while using cleaning agents.

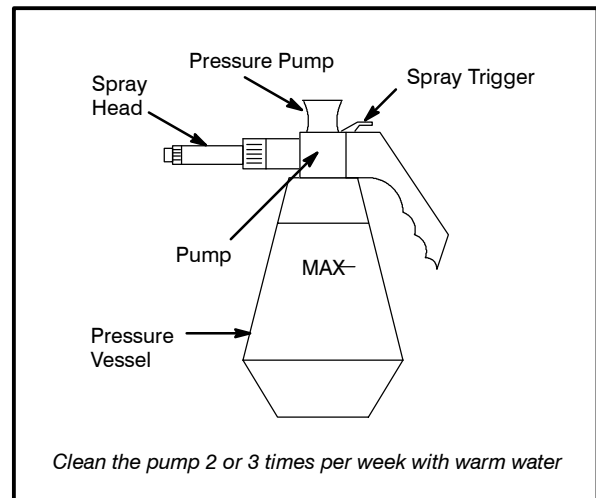


Figure 16

Complete Spray Bottle – P/N R0006
Spray Head Repair Kit – P/N R6332



Maintenance

Cleaning and Preventive Maintenance

CLEANING THE INTERIOR

Daily cleaning of the appliance is essential for sanitation, and to ensure against operational difficulties. Use an oven cleaning detergent in conjunction with the supplied spray bottle.

NOTE: DO NOT use corrosive cleaners!

1. Cool the oven down to 140°F (60°C).
2. Fill the spray bottle and pump air into the container with the pressure pump.
3. Spray the interior of the oven with a cleaning solution.

NOTE: Never spray water into the unit when the temperature is above 212°F

4. Let the cleaner work for 10 to 20 minutes with the oven off.
5. Rinse the oven interior with the hose and spray assembly.

NOTE: The interior cavity should never be scoured or scraped.

CLEANING THE EXTERIOR

The exterior of the appliance may be cleaned and kept in good condition with a light oil. Saturate a cloth and wipe the appliance when it is cold; wipe dry with a clean cloth.

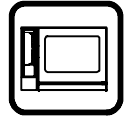


WARNING!!

DO NOT spray the outside of the appliance with water or clean with a water jet.

PREVENTIVE MAINTENANCE

The best preventive maintenance measures are the proper initial installation of the equipment and a program for cleaning and delimiting the appliance routinely. The Oven/Steamer requires no lubrication. Contact the factory, the factory representative or a local Blodgett Combi service company to perform maintenance and repairs should they be required.



Description du four à convection Combi

La cuisson dans un four à convection diffère de la cuisson dans un four de cuisine ordinaire en ce sens que de l'air chaud circule en permanence autour de l'aliment cuit, sous l'effet d'un ventilateur enfermé dans une enceinte spéciale. Le mouvement continu de l'air, en éliminant constamment la couche d'air froid qui se formerait autrement autour de l'aliment, permet la pénétration plus rapide de la chaleur. Il en résulte un aliment de qualité comparable à ceux préparés dans un four ordinaire, mais cuit à température inférieure et en moins de temps.

Les fours Combi de Blodgett sont des appareils haut de gamme fabriqués en acier inoxydable de première qualité en faisant appel à des procédés supérieurs.

Le ventilateur à deux vitesses est doté d'un dispositif de protection pour les doigts et alimenté par un puissant moteur silencieux.

L'isolant de haute qualité empêche un rayonnement thermique excessif et aide à conserver l'énergie.

En option, des pieds réglables et des supports permettent d'adapter le four aux surfaces inégales et à tous les modèles de table.

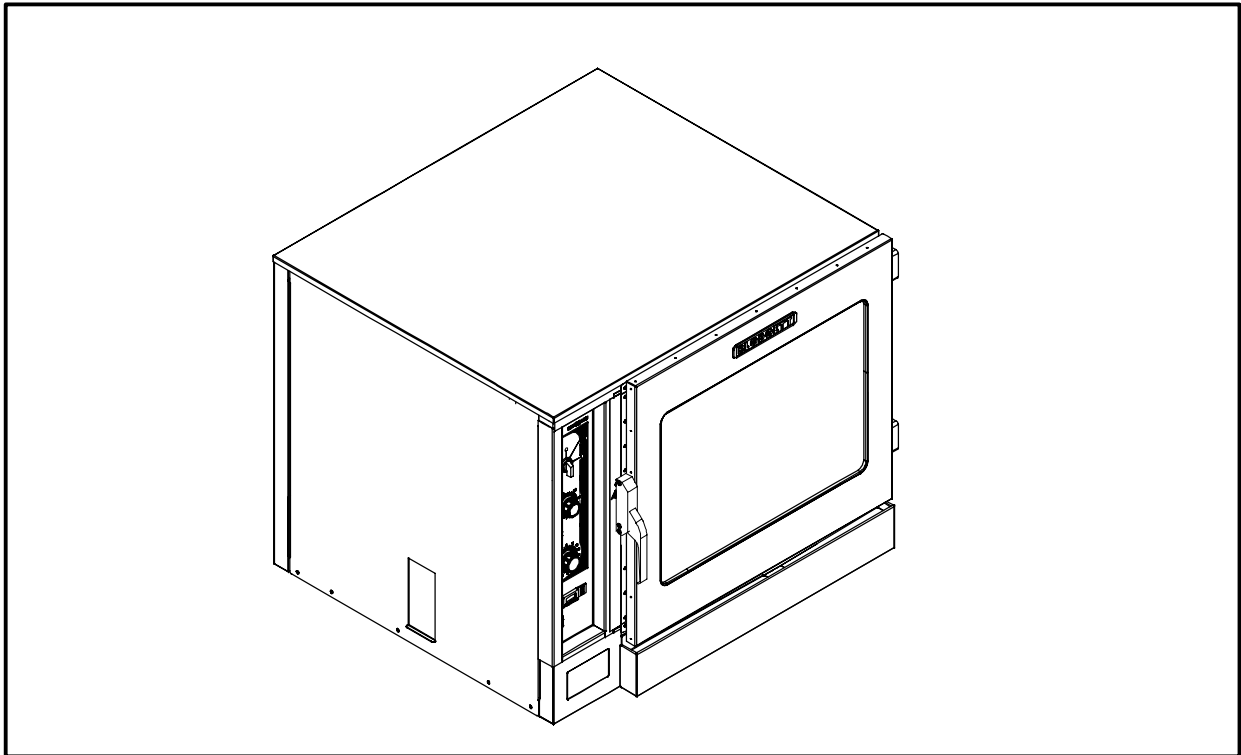


Figure 1



Installation

Certifications

LES PRÉSENTES CONSIGNES D'INSTALLATION SONT DESTINÉES AU PERSONNEL D'INSTALLATION ET D'ENTRETIEN QUALIFIÉ SEULEMENT. TOUTE INSTALLATION OU TOUT ENTRETIEN EFFECTUÉ PAR DES PERSONNES NON COMPÉTENTES POURRAIENT ENDOMMAGER LE FOUR OU CAUSER DES BLESSURES.

Le terme personnel d'installation qualifié désigne une personne, une entreprise, une société ou une organisation assumant, elle-même ou par l'entremise d'un représentant, les responsabilités suivantes :

- la pose ou le remplacement des tuyaux de gaz. Le raccordement, la mise en service, la réparation ou l'entretien du matériel.
- La pose du câblage électrique à partir du compteur, de la boîte de distribution principale ou de la prise jusqu'à l'appareil.

Le personnel qualifié doit détenir de l'expérience dans ces domaines, connaître toutes les mesures de sécurité pertinentes et respecter les normes de la province ou des autorités locales.

Mises en service américaines et canadiennes

La mise en service doit respecter les normes locales ou, en l'absence de tels normes, les règlements suivants : *National Fuel Gas Code, NFPA54/ANSI Z223.1 – dernière édition, le Code d'installation du gaz naturel CAN/CGA-B149.1* ou le *Code d'installation du propane, CAN/CGA-B149.2*, selon le cas.

Référence : *National Electrical Code, ANSI/NFPA 70 – dernière édition* ou le *Code canadien de l'électricité CSA C22.1*, selon le cas.

Mise en service dans les autres pays

L'installation doit respecter les normes nationales et locales, qui varient selon le pays. Si vous avez des questions sur les méthodes d'installation acceptables ou sur le fonctionnement de votre appareil, veuillez communiquer avec votre détaillant. S'il n'y a aucun détaillant dans votre région, veuillez communiquer avec Blodgett Combi au 0011-802-860-3700.





Responsabilités du propriétaire

Responsabilités de l'installation avant l'inspection de mise en service

Vous avez droit à une inspection de mise en service gratuite effectuée dès que possible par notre représentant. Avant que cette personne se présente pour effectuer la mise en service, vous devez vous assurer de satisfaire déjà aux exigences suivantes :

1. Le four est déballé, empilé (s'il y a lieu) et mis en place.

REMARQUE: Veuillez consulter la section Montage des pieds et Superposition.

Charges maximales sur une tablette -- 45.5 kg (100 lb)

CARACTÉRISTIQUES TECHNIQUES -- APPAREILS AU GAZ -- CNV14G/AA					
Type de gaz	Entrée	Tension	Phase	Intensité	Moteur
Installations canadiennes et américaines					
Naturel	65 000 BTU/h	208-240	1	15	1/2 HP 208-240 V c.a., 50/60 Hz
		120	1	15	1/2 HP 208-240 V c.a., 50/60 Hz
Propane	65 000 BTU/h	208-240	1	15	1/2 HP 208-240 V c.a., 50/60 Hz
		120	1	15	1/2 HP 208-240 V c.a., 50/60 Hz
Connecteur de 3/4 po FNPT pour toutes les installations canadiennes et américaines					

CARACTÉRISTIQUES TECHNIQUES -- APPAREILS ÉLECTRIQUES -- CNV14E/AA						
Tension	Fréquence	Phase	Charge maximale (ampères)			Moteur
			L1	L2	L3	
208	60	1	89	89	–	1/2 HP 208-240 V c.a., 50/60 Hz
208	60	3	52	52	52	1/2 HP 208-240 V c.a., 50/60 Hz
240	60	1	82	82	–	1/2 HP 208-240 V c.a., 50/60 Hz
240	60	3	47	47	47	1/2 HP 208-240 V c.a., 50/60 Hz
480	60	3	23	23	23	1/2 HP 208-240 V c.a., 50/60 Hz
380/220	50	3	25	25	25	1/2 HP 208-240 V c.a., 50/60 Hz
415/240	50	3	27	27	27	1/2 HP 208-240 V c.a., 50/60 Hz
400/230	50	3	26	26	26	1/2 HP 208-240 V c.a., 50/60 Hz



Installation

Emplacement du four et mise de niveau et Ventilation

EMPLACEMENT DU FOUR

Il est important de bien choisir l'emplacement de votre four afin d'en augmenter les performances et l'utilité.

Vous devez conserver un dégagement minimal entre le four et toute construction combustible ou non combustible. Consultez le tableau ci-dessous.

De plus, il est recommandé de respecter les dégagements suivants pour l'entretien.

- Parois latérales du four – 30 cm (12 po)
- Paroi arrière du four – 30 cm (12 po)

REMARQUE: Pour les modèles à gaz, il est habituellement possible d'effectuer l'entretien courant sans être gêné par le dispositif de retenue du tuyau à gaz. S'il devient nécessaire d'éloigner davantage le four du mur, vous devez d'abord fermer l'alimentation de gaz et débrancher le tuyau du four avant de retirer le câble d'immobilisation. Remettez le câble en place lorsque le four est remis à sa position normale.

Écran thermique – côté gauche

Il ne doit y avoir aucune source de chaleur à proximité des orifices d'aération situés du côté gauche de l'appareil à gaz. Communiquez avec le fabricant pour obtenir un écran thermique additionnel (offert en option) adapté au four BC14.

CNV14

Numéro de pièce R9527

Modèle du four	DÉGAGEMENT ACCEPTABLE		
	Côté droit	Côté gauche	Arrière
CNV14E	25,4 mm (1 po)	101,6 mm (4 po)	152,4 mm (6 po)
CNV14G	25,4 mm (1 po)	152,4 mm (6 po)	152,4 mm (6 po)

VENTILATION

On ne saurait trop insister sur la nécessité de prévoir un système d'aération bien conçu. Un tel système permettra au four de bien fonctionner, tout en évacuant les vapeurs et produits de combustion gênants de la zone d'utilisation.

L'extraction des fumées de combustion de l'appareil doit se faire au moyen d'un groupe d'aspiration à commande mécanique. Celui-ci doit être dimensionné de façon à ce qu'il recouvre entièrement l'appareil, tout en dépassant d'au moins 15 cm de tous les côtés qui ne sont pas contigus à un mur. Le groupe doit avoir la capacité qui convient et un appoint d'air adéquat doit être prévu.



AVERTISSEMENT!!

Une mauvaise extraction des fumées de combustion du four peut mettre en danger la santé de l'opérateur. Elle aura également pour résultats des problèmes de fonctionnement, une cuisson laissant à désirer et de possibles dégâts subis par le matériel. Les dégâts résultant directement d'une aération inadéquate ne seront pas couverts par la garantie offerte par le fabricant.

Mises en service américaines et canadiennes

Se reporter aux codes locaux de la ventilation. En l'absence de codes locaux, se reporter au code national de la ventilation intitulé "Normes pour l'installation d'équipements pour l'enlèvement des fumées et vapeurs grasses provenant d'équipements commerciaux pour la cuisine", NFPA-96 – Édition la plus récente.

Mise en service dans les autres pays

L'installation doit respecter les normes nationales et locales, qui varient selon le pays. Si vous avez des questions sur les méthodes d'installation acceptables ou sur le fonctionnement de votre appareil, veuillez communiquer avec votre détaillant. S'il n'y a aucun détaillant dans votre région, veuillez communiquer avec Blodgett Combi au 0011-802-860-3700.



Montage des pieds

OPTIONS

Les pieds sont offerts en différentes longueurs : 101 mm (4 po), 152 mm (6 po) ou 635 mm (25 po) ou avec des roulettes basses.

- Les pieds de 101 mm (4 po) s'adaptent lorsque l'appareil est monté sur un comptoir.
- Les pieds de 152,4 mm (6 po) sont adaptés à la section inférieure lorsque deux appareils sont empilés.
- Les pieds de 635 mm (25 po) sont utilisés pour un seul appareil installé sur un plancher.

REMARQUE: Pour des raisons de sécurité, vous ne devez pas utiliser des roulettes avec les pieds de 635 mm (25 po).

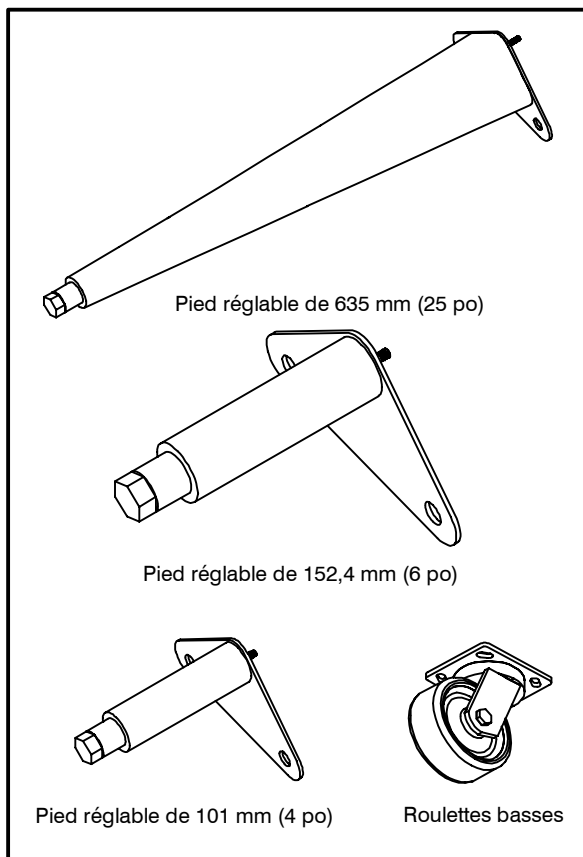


Figure 2

MONTAGE

1. Alignez le goujon fileté situé sur l'un des pieds avant avec le trou de boulon situé au coin inférieur de l'appareil. Tournez le pied dans le sens horaire et serrez jusqu'au tour complet le plus proche.
2. Alignez les trous de la plaque de montage du pied avec les trous de boulon. Fixez solidement au moyen des deux boulons de 1/2 po fournis.
3. Répétez les étapes précédentes pour l'autre pied avant. *Si vous utilisez des roulettes basses, installez les roulettes à frein à l'avant du four. Les roulettes arrière ne se bloquent pas. Assurez-vous que les roulettes avant sont bloquées.*
4. Penchez le four vers l'avant sur les pieds avant que vous venez d'installer. *Si vous venez d'installer des roulettes, assurez-vous que les roulettes avant sont bien bloquées.* Répétez les étapes précédentes pour les pieds arrière.
5. Pour mettre le four de niveau (sauf pour les modèles dotés de roulettes), vissez ou dévissez les pieds réglables selon le cas.

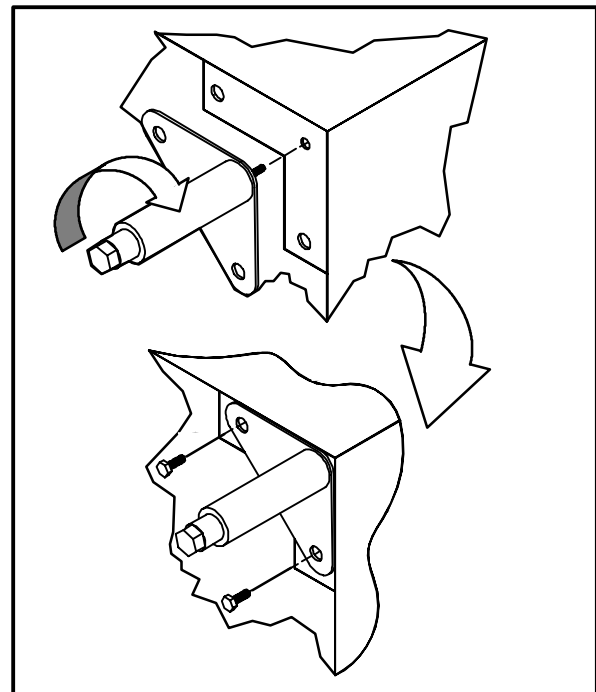


Figure 3



Installation

Superposition

⚠ ATTENTION !!

Seul un installateur qualifié peut effectuer la superposition des appareils. Les appareils sont lourds. Assurez-vous d'utiliser des outils et des méthodes appropriés pour soulever et superposer les appareils.

1. Retirez le bac d'égouttage de l'appareil du haut.
2. Posez les pieds ou les roulettes sur l'appareil du bas. Consultez la page 29.
3. Placez le BC14 sur le CNV14. Assurez-vous que les quatre côtés sont bien alignés.
4. Boulonnez les deux appareils ensemble au moyen des boulons fournis.
5. **APPAREILS À GAZ SEULEMENT** : Fixez les événements à gaz tel qu'illustré.

REMARQUE: Pour les appareils électriques, passez à l'étape 6.

6. Remettez le bac d'égouttage.
7. Raccordez le gaz (s'il y a lieu) et l'alimentation électrique. Consultez les pages 33–36.

REMARQUE: Un collecteur de gaz optionnel est offert par Blodgett Combi. Commandez la pièce numéro R9570.

REMARQUE: Un Assemblage de Drain/Évent à vapeur optionnel est aussi offert par Blodgett Combi. Commandez la pièce numéro R9251 pour les fours simples et les fours du dessus dans le cas de fours superposés. Commandez la pièce numéro R9252 pour les fours du bas dans le cas de fours superposés.

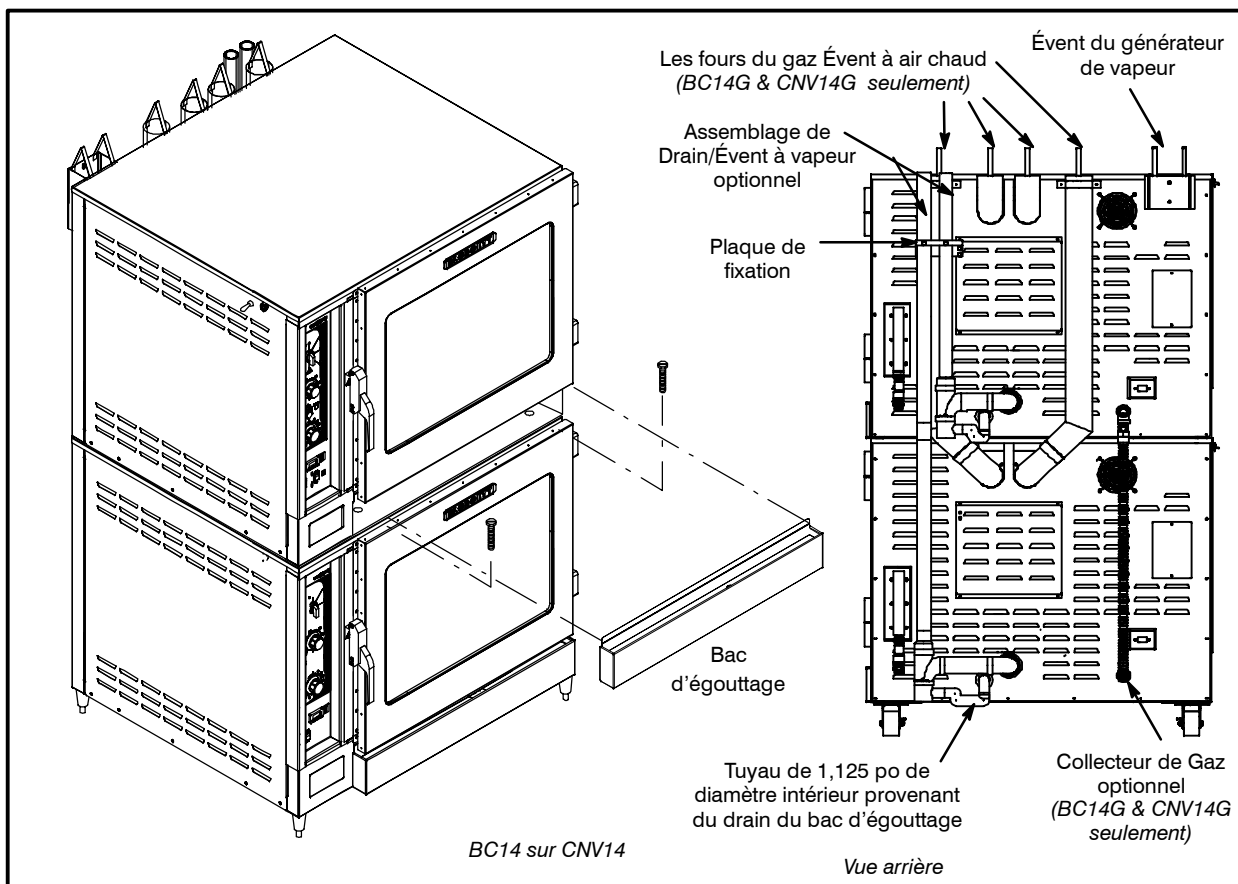
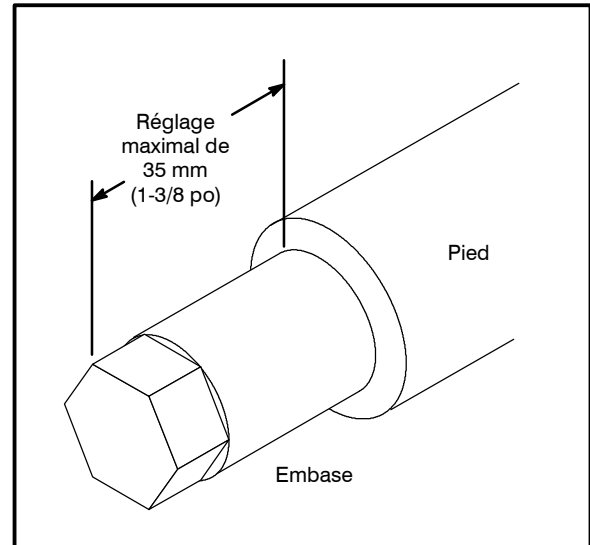


Figure 4

**Mise de niveau du four****MISE DE NIVEAU DU FOUR**

La préparation du four doit se faire à l'emplacement choisi.

Assurez-vous que la surface de l'emplacement choisi est de niveau, plane et solide. Une base inégale ou en pente pourrait empêcher le four de fonctionner correctement. Il est possible de compenser une surface qui n'est que légèrement inégale en ajustant les pieds en métal. L'ajustement maximal est de 35 mm (1-3/8 po).

**Figure 5**



Installation

Raccordement de la plomberie

RACCORDEMENT À L'EAU – CNV14E SEULEMENT

REMARQUE: L'utilisation d'eau chaude maximise la production de vapeur, mais elle n'est pas obligatoire. Les deux entrées peuvent recevoir de l'eau froide si l'eau chaude n'est pas disponible.

Raccordez l'appareil à une source d'eau propre au moyen d'un boyau de pression muni de raccords de 19 mm (3/4 po). Consultez la Figure 6 pour le raccordement. Prévoyez l'installation d'un robinet d'arrêt à proximité du four.



ATTENTION !!

L'utilisation de l'appareil non équipé du régulateur d'eau annule votre garantie.

L'eau doit respecter les normes suivantes :

- La quantité de matières totales dissoutes (MTD) ne doit pas dépasser 30 parties par million.
- Le pH de l'eau doit être égal ou supérieur à 7,0.



ATTENTION !!

L'utilisation d'une eau de qualité inférieure annule votre garantie.

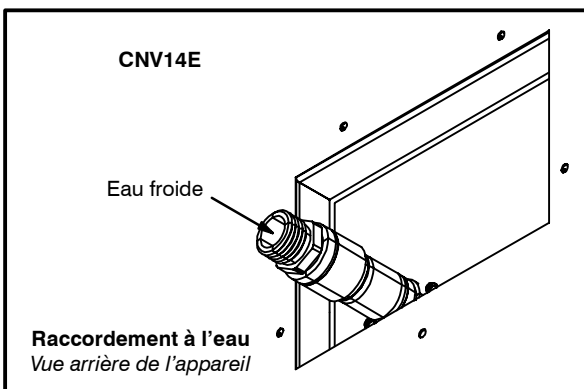


Figure 6

RACCORDEMENT DU DRAIN

Les évents à vapeur se composent de tuyaux de cuivre de 2 po pour système d'égout se rétrécissant à 1-1/2 po. Si vous n'avez pas acheté le système d'aération optionnel (P/N R9381), Blodgett Combi vous recommande de modifier le four selon les indications de la Figure 7.

Acheminez l'évent à vapeur jusqu'à un fossé de drainage dans le plancher et évitez d'utiliser des boyaux qui pourraient s'affaisser et entraîner des accumulations d'eau. Le client est responsable de fournir la tuyauterie raccordant le four et le drain.

Raccordez le drain du bac d'égouttage à l'évent à vapeur au moyen d'un tuyau de 1,125 po de diamètre intérieur.

Pour raccorder le drain, utilisez l'ensemble d'évent de drain et un tuyau de 50,8 mm (2 po).

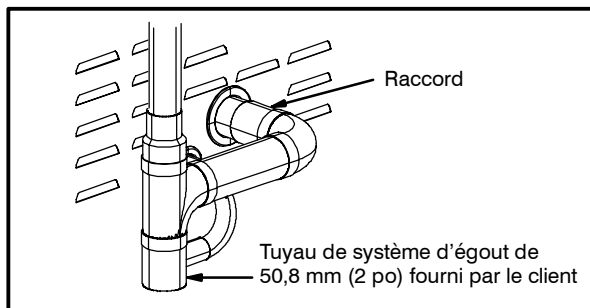


Figure 7

Raccordement à l'eau et à l'égout particulier à la ville de Los Angeles

1. Chaque conduite de vidange raccordée à l'appareil doit être acheminée sans déclivité ou fléchissement pour se terminer au-dessus du niveau de trop-plein d'un récipient d'eaux usées indirectes homologué.
2. L'appareil doit être installé conformément aux instructions imprimées du fabricant et aux éditions de 1999 du LAPC et du LAMC.
3. Un dispositif de protection antirefoulement doit être installé sur le réseau d'eau potable, directement en amont de l'appareil. Ce dispositif doit être l'un des suivants : un reniflard de type anti-vide homologué installé à au moins 12 po au-dessus du point le plus élevé, un disconnecteur à deux clapets de non-retour ou un disconnecteur hydraulique principal à pression réduite.



Raccordement à l'électricité

Tous les modèles

REMARQUE: Seul un technicien qualifié peut effectuer le raccordement à l'électricité.

Avant de procéder au raccordement à l'électricité des appareils, assurez-vous que la source d'alimentation est conforme aux spécifications de tension, d'intensité et de phase indiquées sur la plaque signalétique de l'appareil.

Le disjoncteur raccordé à cet appareil doit être doté de contacts espacés d'au moins 0,076 po (2 mm). Le disjoncteur doit respecter toutes les normes d'installation nationales et locales.

L'installation de tous les appareils doit se conformer aux codes d'électricité nationaux et locaux.

Le schéma de câblage se trouve à l'intérieur du panneau latéral amovible.

REMARQUE: Débranchez la source d'alimentation électrique de l'appareil avant de procéder à l'entretien.



ATTENTION !!

Une installation non conforme annule votre garantie.

Modèles électriques

Le cordon d'alimentation nécessite un protecteur de cordon. Le responsable de l'installation doit fournir un manchon pour le cordon qui respecte les normes d'installation nationales et locales.

Modèles à gaz

Installations canadiennes et américaines

Un 115V ou 230V cordon d'alimentation muni d'une fiche est fourni avec l'appareil. Branchez la fiche dans une prise de courant appropriée.

Installations dans d'autres pays

Un 230V cordon d'alimentation à fusible de 13 ampères muni d'une fiche est fourni avec l'appareil. Branchez la fiche dans une prise de courant appropriée.

Consultez la Figure 8 pour connaître le cheminement du cordon d'alimentation et les connexions au filtre de ligne.



ATTENTION !!

Si le cordon d'alimentation est endommagé, remplacez-le par un cordon spécial ou un dispositif fourni par le fabricant ou par un réparateur reconnu.

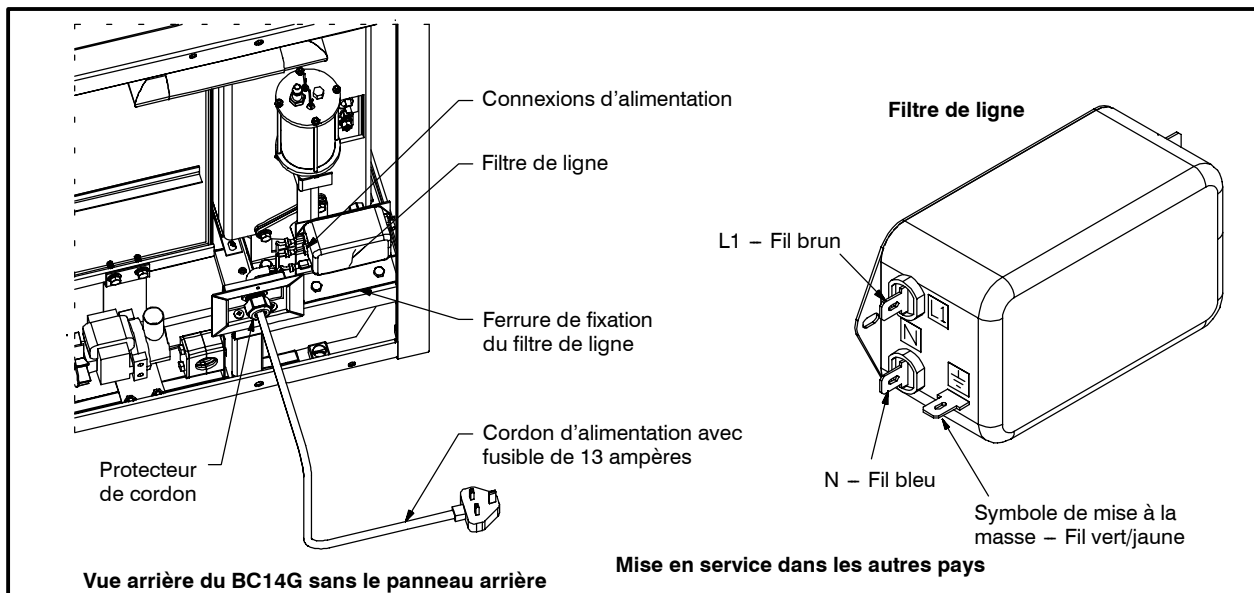


Figure 8



Installation

Raccordement au gaz

CONDUITE DE GAZ

Il est essentiel d'avoir un circuit d'alimentation en gaz approprié afin que le four puisse donner un rendement maximal. Les dimensions de la tuyauterie doivent permettre d'assurer une alimentation en gaz suffisante pour satisfaire à la demande maximale de tous les appareils en service, et ce sans perte de pression.

Exemple :

REMARQUE: Les valeurs indiquées en BTU à titre d'exemple s'appliquent au gaz naturel.

Supposons que vous achetez un appareil CNV14G pour accroître votre capacité de cuisson.

1. Additionnez les puissances nominales en BTU des appareils déjà en place.

Friteuse Pitco	120 000 BTU
Cuisinière à 6 éléments	60 000 BTU
Four à pont	50 000 BTU
Total	230 000 BTU

2. À ce total, ajoutez la puissance nominale en BTU du nouveau four.

Total précédent	230 000 BTU
CNV14G	65 000 BTU
Nouveau total	295 000 BTU

3. Mesurez la distance du compteur de gaz jusqu'aux appareils de cuisson pour obtenir la longueur du tuyau. Supposons que la longueur de tuyau soit de 30 pi (9 m) et que le tuyau possède un diamètre de 1 po (2,54 cm).

4. Utilisez la table de calcul appropriée pour déterminer la capacité totale de votre conduite de gaz actuelle.

Dans cet exemple, la capacité totale est de 375 000 BTU. Puisque la pression totale de gaz nécessaire est de 295 000 BTU, donc inférieure à 375 000 BTU, il n'est pas nécessaire pour l'instant d'augmenter la tuyauterie actuellement en place.

REMARQUE: Les capacités en BTU indiquées dans ces tableaux sont valables pour les tuyaux droits seulement. L'ajout de coudes et de raccords courbés diminue la capacité de la tuyauterie. Par exemple, un raccord en L de nomenclature 40 de 1-1/2 po possède une capacité équivalente à un tuyau droit de 4,2 po (10,2 cm). Renseignez-vous auprès de votre fournis-

seur en gaz local si vous avez des questions à ce sujet.

Capacité maximale en gaz naturel d'une tuyauterie en fer en pieds cubes à l'heure
(Chute de pression de 0,5 po de colonne d'eau)

Longueur du tuyau (pi)	Dimensions nominales (po)				
	3/4 po	1 po	1 1/4 po	1 1/2 po	2 po
10	360	680	1 400	2 100	3 950
20	250	465	950	1 460	2 750
30	200	375	770	1 180	2 200
40	170	320	660	990	1 900
50	151	285	580	900	1 680
60	138	260	530	810	1 520
70	125	240	490	750	1 400
80	118	220	460	690	1 300
90	110	205	430	650	1 220
100	103	195	400	620	1 150

Extrait du National Fuel Gas Code, partie 10, tableau 10-2

Capacité maximale de la conduite en milliers de BTU/h de gaz PP non dilué à 11 po de colonne d'eau

(Chute de pression de 0,5 po de colonne d'eau)

Longueur du tuyau (pi)	Diamètre interne (po)		
	3/4 po	1 po	1 1/2 po
10	608	1 146	3 525
20	418	788	2 423
30	336	632	1 946
40	287	541	1 665
50	255	480	1 476
60	231	435	1 337
70	215	404	1 241
80	198	372	1 144
90	187	351	1 079
100	175	330	1 014

Extrait du National Fuel Gas Code, partie 10, tableau 10-15



Raccordement au gaz

RÉGULATION DE LA PRESSION ET ESSAIS

Évaluez la pression d'alimentation du gaz pour chaque appareil lorsque les brûleurs sont allumés. Il doit y avoir une pression suffisante à l'entrée pour répondre aux normes. Consultez le tableau ci-dessous pour connaître la pression de gaz qui convient.

Chaque appareil est réglé en usine de manière à fonctionner avec le type de gaz indiqué sur la plaque signalétique située du côté droit de l'appareil.

Chaque four est muni d'un détendeur qui maintient le gaz à la bonne pression. **Ce détendeur est essentiel au bon fonctionnement du four et ne doit jamais être débranché.**

N'INSTALLEZ PAS UN DEUXIÈME DÉTENDEUR AU POINT DE CONNEXION DU GAZ À MOINS QUE LA PRESSION D'ALIMENTATION SOIT SUPÉRIEURE À 14 PO DE LA COLONNE D'EAU (1/2 LB/PO²) (37 mbars).

Pendant les essais de pression, débranchez le four ainsi que son robinet d'arrêt de la tuyauterie d'alimentation en gaz si la pression d'essai est supérieure à 1/2 lb/po² (3,45 kPa).

Isolez le four de la tuyauterie d'alimentation en gaz en fermant son robinet d'arrêt pendant les essais de

pression de la tuyauterie de gaz si la pression d'essai est égale ou inférieure à 1/2 lb/po² (3,45 kPa).

Avant de raccorder les tuyaux d'alimentation en gaz de l'appareil, videz complètement les tuyaux de toutes particules métalliques et de tout déchet. Après le branchement, inspectez l'appareil afin de vous assurer que la pression de gaz est appropriée.

Installations américaines et canadiennes

L'installation doit respecter les normes locales ou, en l'absence de telles normes, les règlements suivants : *National Fuel Gas Code, NFPA54/ANSI Z223.1 – dernière édition, le Code d'installation du gaz naturel CAN/CGA-B149.1* ou le *Code d'installation du propane, CAN/CGA-B149.2*, selon le cas.

Installation dans les autres pays

L'installation doit respecter les normes nationales et locales. Les normes d'installation locales ou les règlements peuvent varier. Si vous avez des questions concernant les méthodes d'installation acceptables ou sur le fonctionnement de votre appareil, veuillez communiquer avec votre détaillant local. S'il n'y a aucun détaillant local dans votre région, veuillez communiquer avec Blodgett Combi au 0011-802-860-3700.

PRESSION DE GAZ					
Type de gaz	Pression d'alimentation	Dimensions de l'orifice au niveau de la mer		Pression d'admission	
		Air chaud	Vapeur	Air chaud	Vapeur
Installations américaines et canadiennes					
Naturel	7–14 po de colonne d'eau	0,0531 po de diamètre	0,042 po de diamètre	3,5 po de colonne d'eau	3,5 po de colonne d'eau
Propane	12–14 po de colonne d'eau	0,032 po de diamètre	0,026 po de diamètre	10,0 po de colonne d'eau	10,0 po de colonne d'eau



Installation

Câble d'immobilisation du tuyau à gaz

Si l'appareil est monté sur des roulettes, utilisez un connecteur flexible ordinaire dont le diamètre interne est d'au moins 1,9 cm (3/4 po) ainsi qu'un raccord rapide.

Le câble d'immobilisation fourni avec l'appareil doit être utilisé pour limiter le mouvement de l'appareil de manière à ce que le connecteur flexible ne subisse aucune tension. Attachez le câble au bâti du four le plus près possible du connecteur flexible. Le câble doit être assez court pour empêcher toute tension sur le connecteur. Lorsque le câble est pleinement étiré, il devrait être facile d'installer le connecteur et de le brancher à l'aide du raccord rapide.

Le câble (de fort calibre) doit être installé sans endommager l'immeuble. **N'UTILISEZ PAS** la conduite de gaz ou les câbles électriques pour ancrer l'extrémité permanente du câble d'immobilisation! Utilisez des boulons d'ancrage vissés dans le béton ou dans un bloc de béton. Pour les murs de bois, utilisez des vis d'ancrage robustes dans les montants des murs.

ATTENTION !!

Si le câble est enlevé pour quelque raison que ce soit, installez-le de nouveau une fois l'appareil remis en place.

Installations américaines et canadiennes

Le connecteur doit respecter la norme *Standard for Connectors for Movable Gas Appliances, ANSI Z21.69* ou *Connectors For Moveable Gas Appliances CAN/CGA-6.16* et le raccord rapide doit respecter la *Standard for Quick-Disconnect Devices for Use With Gas Fuel, ANSI Z21.41* ou *Quick Disconnect For Use With Gas Fuel CAN 1-6.9*. Prévoyez des mesures adéquates pour limiter le mouvement de l'appareil sans compter exclusivement sur le connecteur et le raccord rapide ou sur la conduite connexe.

Chaque appareil doit être muni d'un collecteur de condensats. Consultez *NFPA54/ANSI Z223.1 - dernière édition* (National Fuel Gas Code) pour connaître les méthodes d'installation d'un collecteur de condensats.

Installation dans un autre pays

L'installation doit respecter les normes nationales et locales. Les normes d'installation locales ou les règlements peuvent varier. Si vous avez des questions concernant les méthodes d'installation acceptables ou le fonctionnement de votre appareil, veuillez communiquer avec votre détaillant local. S'il n'y a aucun détaillant dans votre région, veuillez communiquer avec Blodgett Combi au 0011-802-860-3700.

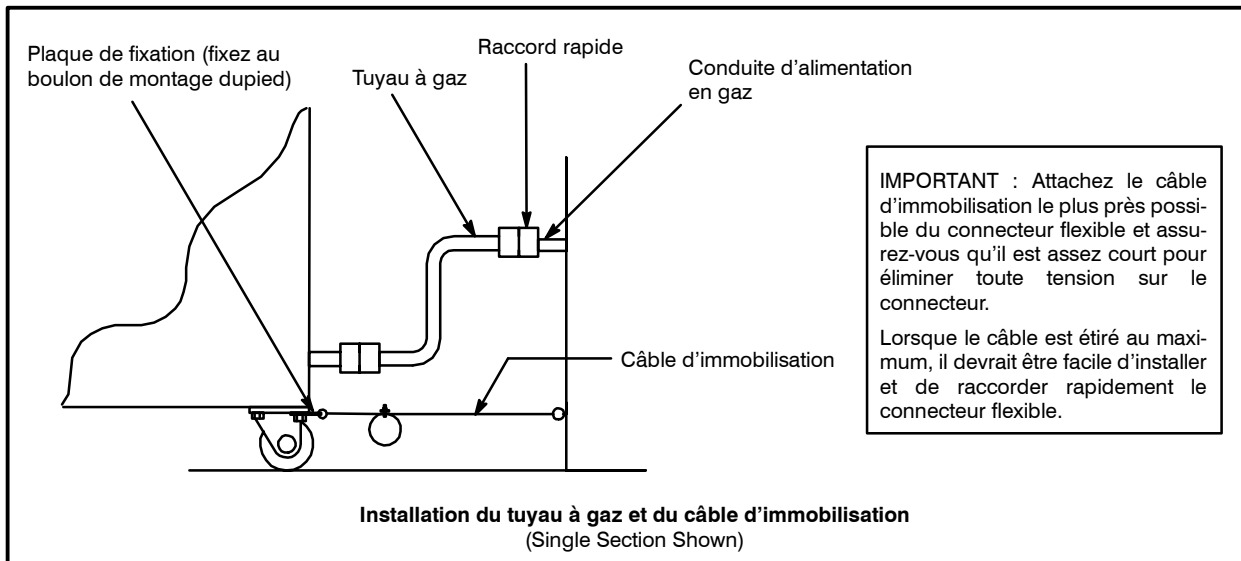


Figure 9



Avant de mettre l'appareil sous tension pour la première fois, effectuez les vérifications suivantes:

- Toutes les normes de sécurité ont été respectées et les connexions électriques sont appropriées.
- Le dispositif d'amélioration de la cuisson de pain ainsi que son support sont bien en place.
- Les supports de plat sont insérés dans la cavité du four.

REMARQUE: Lors de la première mise sous tension de l'appareil (peu importe le mode), le générateur de vapeur effectue automatiquement un rinçage pendant 45 secondes. Ensuite, le générateur de vapeur se remplit d'eau. L'appareil est alors prêt pour l'utilisation.

AJUSTEMENT DE LA PORTE

Le loquet de la porte s'ajuste dans deux directions, soit vers l'avant et l'arrière et aussi vers le haut et vers le bas. Procédez comme suit :

1. Pour ajuster vers le haut et vers le bas, desserrez les deux boulons qui fixent le loquet au devant de l'appareil. Reportez-vous à la Figure 10 (A).
2. Effectuez les ajustements nécessaires pour centrer le devant du loquet sur l'ouverture de la poignée.
3. Serrez les boulons solidement.
4. Pour ajuster vers l'avant et l'arrière, desserrez le boulon sur le dessus du loquet. Reportez-vous à la Figure 10 (B).
5. L'ajustement se fait par étapes afin de limiter le mouvement lorsque le boulon est bien serré.
6. L'ajustement est correct lorsque la porte se ferme bien et que le joint ne laisse échapper aucune vapeur.

Vous pouvez aussi ajuster les charnières comme suit :

1. Assurez-vous que le loquet est bien ajusté.
2. Ajustez les charnières de manière à ce que la partie arrière de la porte et le devant de l'appareil soient parallèles. Consultez la Figure 10 (C).
3. L'ajustement est correct lorsque le joint ne laisse échapper aucune vapeur.

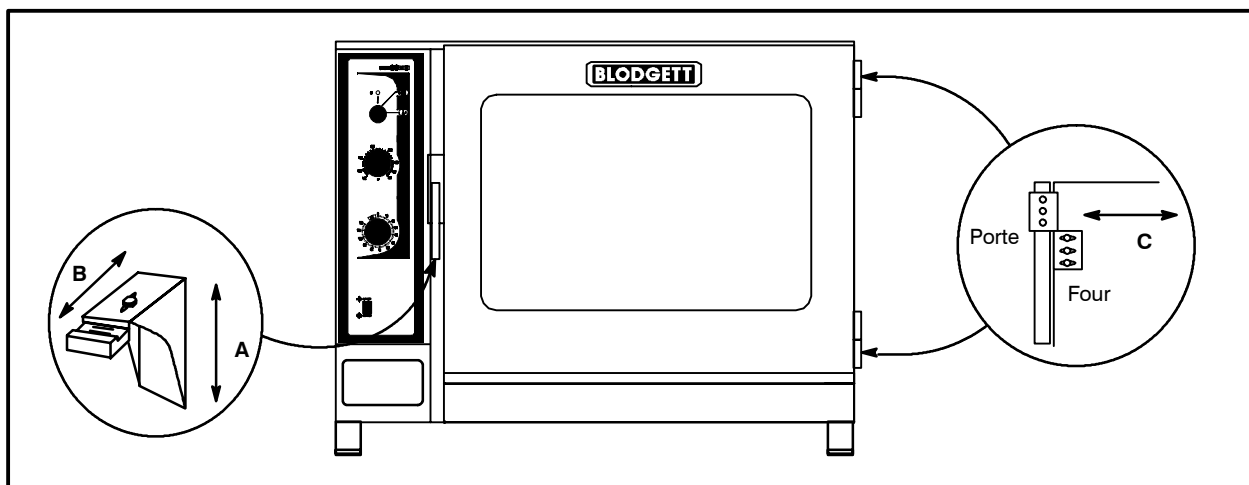


Figure 10



Installation

Liste de vérification finale



ATTENTION !!

Seul un installateur qualifié peut effectuer les étapes suivantes de la liste de vérification.

COMPARTIMENT DES COMMANDES ÉLECTRIQUES

- La tension de l'alimentation électrique de l'appareil est conforme aux spécifications énoncées sur la plaque.

VÉRIFICATION FINALE DE LA TUYAUTERIE – CNV14E SEULEMENT

- La pression d'entrée de l'eau est conforme aux spécifications de l'appareil.
- Le drain de mise à l'air libre est en place.
- L'électrovalve est bien fixée en place et ne fuit pas.
- Les conduites d'alimentation en eau sont en place et ne fuient pas.
- Le boyau pulvérisateur (offert en option) est raccordé correctement. Raccordez le boyau pulvérisateur (optionnel) à l'électrovalve de remplissage selon la méthode illustrée.

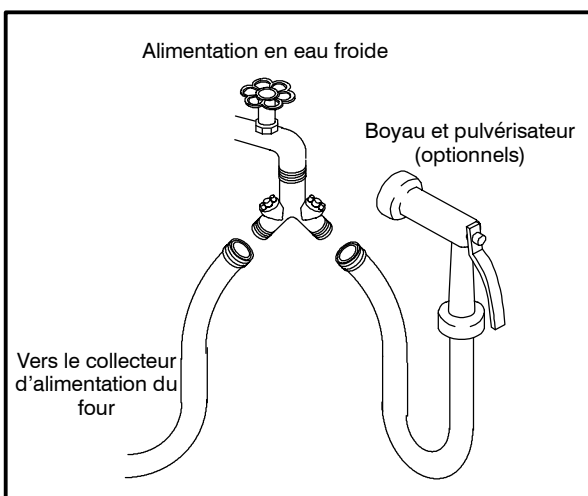


Figure 11

ESSAIS DE FONCTIONNEMENT DU FOUR

REMARQUE: Le client ou le réparateur agréé doivent effectuer les vérifications suivantes.

Mode de refroidissement

- Assurez-vous que le ventilateur fonctionne lorsque la porte est ouverte.

Mode Hot Air (air chaud)

Réglez l'appareil sur le mode Hot Air (air chaud) et réglez le thermostat sur 204°C (400°F), et vérifiez les points suivants:

- Le voyant d'appel de chaleur est allumé.
- Le four chauffe bien.
- Le voyant de chaleur s'éteint à 204°C (400°F) et le four conserve une température de 204°C (400°F).
- Le ventilateur s'arrête à l'ouverture de la porte.



Renseignements sur la sécurité des appareils au gaz

Les renseignements contenus dans la présente section sont destinés au personnel d'exploitation qualifié, c.-à-d. les personnes qui ont soigneusement lu ce manuel et qui se sont familiarisées avec les fonctions du four ou qui détiennent de l'expérience dans le fonctionnement de l'appareil décrit. Le respect des procédures décrites dans le présent manuel assurera un rendement optimal et une utilisation sans problèmes sur une longue période.

Veuillez prendre le temps de lire les présentes consignes de sécurité et de fonctionnement. Elles sont essentielles à une bonne utilisation de votre appareil Combi de Blodgett.



CONSEILS DE SÉCURITÉ

Pour assurer votre sécurité, veuillez lire le présent manuel avant d'utiliser l'appareil.

Que faire si vous percevez une odeur de gaz :

- N'ESSAYEZ PAS de mettre un appareil en marche.
- NE TOUCHEZ à aucun interrupteur électrique.
- Utilisez un téléphone qui se trouve hors de l'immeuble pour appeler immédiatement votre fournisseur de gaz.
- Si vous ne pouvez pas communiquer avec votre fournisseur de gaz, appelez le service des incendies.

Que faire en cas de panne de courant :

- Placez tous les commutateurs à la position OFF.
- NE TENTEZ PAS de faire fonctionner votre appareil avant le rétablissement du courant.

REMARQUE: Dans l'éventualité d'un arrêt quelconque, attendez cinq (5) minutes avant de tenter de refaire fonctionner le four.

Conseils généraux de sécurité :

- N'UTILISEZ PAS des outils pour fermer la commande du gaz. Si vous ne parvenez pas à couper manuellement le gaz, n'essayez pas de réparer la commande. Appelez un technicien qualifié.
- Si vous devez déplacer le four pour quelque raison que ce soit, fermez la commande du gaz et déconnectez le tuyau d'admission avant d'enlever le câble d'immobilisation. Rebranchez ce câble une fois le four remis en place.
- NE RETIREZ PAS le couvercle du panneau de commande sans avoir débranché le four.



Fonctionnement

Commandes du gaz

IDENTIFICATION DES COMMANDES

Les commandes de gaz se trouvent derrière une petite porte située sous le panneau de commande.

Installations américaines et canadiennes

1. **ROBINET DU GAZ** – Coupe et rétablit l'admission du gaz.

2. **GAZ ADMIS** – Tournez le robinet à cette position pour permettre l'admission du gaz.

3. **GAZ COUPÉ** – Tournez le robinet à cette position pour couper l'admission du gaz.

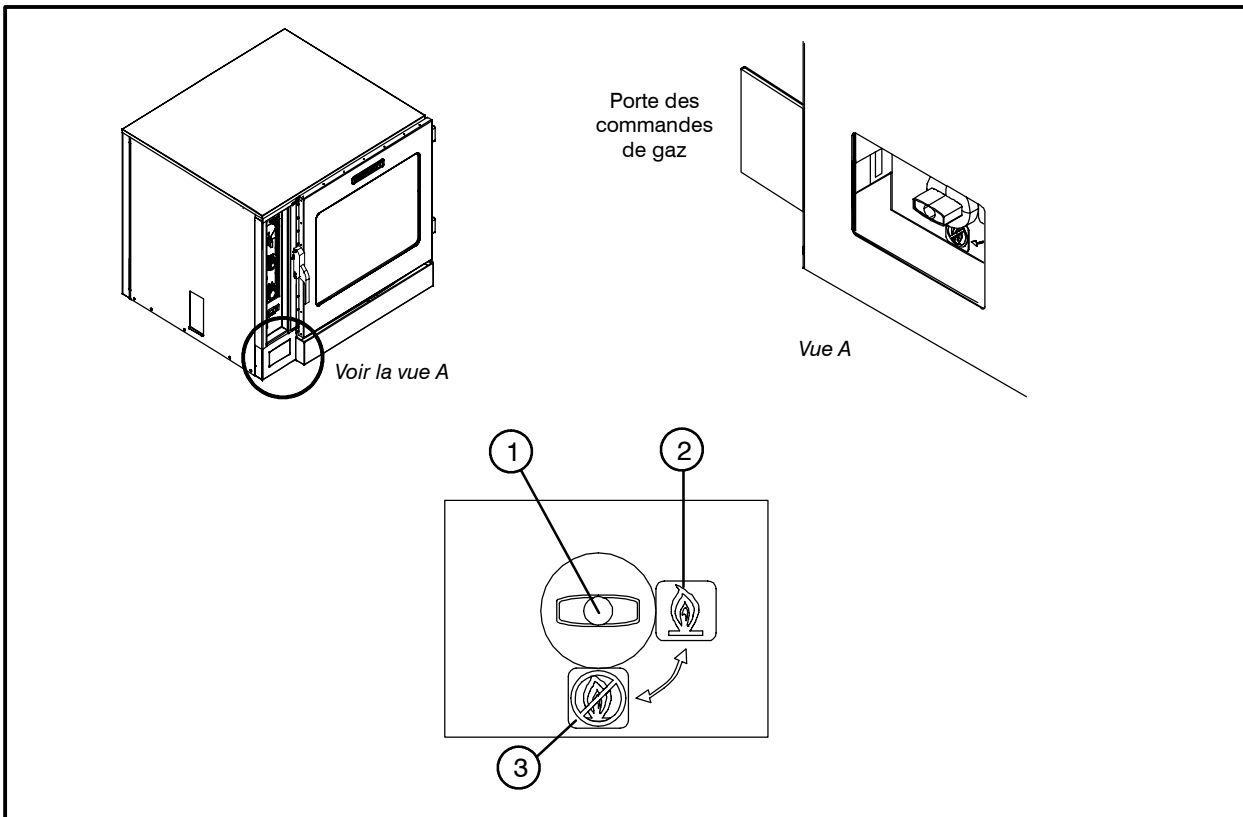


Figure 12



Commandes standard

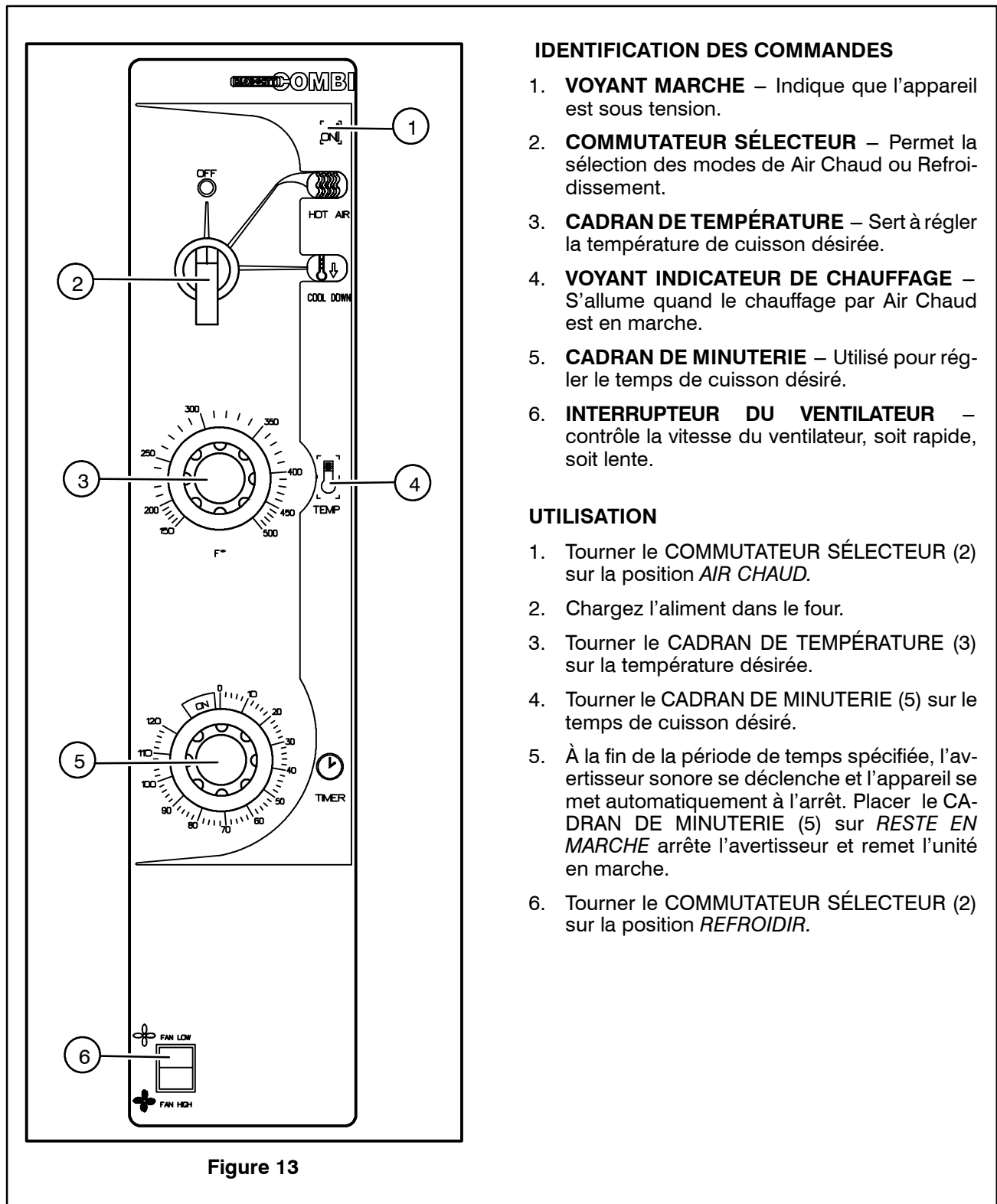


Figure 13

IDENTIFICATION DES COMMANDES

1. **VOYANT MARCHE** – Indique que l'appareil est sous tension.
2. **COMMUTATEUR SÉLECTEUR** – Permet la sélection des modes de Air Chaud ou Refroidissement.
3. **CADRAN DE TEMPÉRATURE** – Sert à régler la température de cuisson désirée.
4. **VOYANT INDICATEUR DE CHAUFFAGE** – S'allume quand le chauffage par Air Chaud est en marche.
5. **CADRAN DE MINUTERIE** – Utilisé pour régler le temps de cuisson désiré.
6. **INTERRUPTEUR DU VENTILATEUR** – contrôle la vitesse du ventilateur, soit rapide, soit lente.

UTILISATION

1. Tourner le COMMUTATEUR SÉLECTEUR (2) sur la position *AIR CHAUD*.
2. Chargez l'aliment dans le four.
3. Tourner le CADRAN DE TEMPÉRATURE (3) sur la température désirée.
4. Tourner le CADRAN DE MINUTERIE (5) sur le temps de cuisson désiré.
5. À la fin de la période de temps spécifiée, l'avertisseur sonore se déclenche et l'appareil se met automatiquement à l'arrêt. Placer le CADRAN DE MINUTERIE (5) sur *RESTE EN MARCHE* arrête l'avertisseur et remet l'unité en marche.
6. Tourner le COMMUTATEUR SÉLECTEUR (2) sur la position *REFROIDIR*.



Fonctionnement

Cuisson et Pause en Option

The diagram shows the control panel of a COMBI oven. At the top, there is a power indicator light (1) and a mode selector knob (2) with positions for OFF, HOT AIR, and COOL DOWN. Below the mode selector is a digital timer display (3) and a temperature display (4). To the right of the timer are two arrow buttons (5) for adjusting the timer. Below the timer is a temperature dial (6) and a heating indicator light (7). To the right of the dial are two arrow buttons (8) for adjusting the temperature. Below the dial are three buttons labeled STAGE, ACTUAL TEMP, and STAGE (9). Below these are three buttons labeled 1, 2, and 3 (11), and a button labeled MANUAL (12). Below the 1, 2, and 3 buttons are three buttons labeled START, PROG, and STOP (13). At the bottom, there are two fan speed buttons labeled FAN LOW and FAN HIGH (16).

IDENTIFICATION DES CONTRÔLES

- VOYANT DE MISE SOUS TENSION** – Il s'allume quand l'unité est sous tension.
- SÉLECTEUR DE MODE** – Il permet de mettre en marche ou d'arrêter le four, ainsi que de sélectionner les modes Air chaud [Hot Air] ou Refroidissement [Cool down]. Lorsque le sélecteur est réglé sur le mode Air chaud ou Refroidissement, le ventilateur se met en route.
- CADRAN DE LA MINUTERIE** – Indique le temps de cuisson.
- TOUCHE FLÉCHÉES DE LA MINUTERIE** – Appuyer sur ces touches afin d'entrer le temps de cuisson, de 00:00 à 99:59.
- CADRAN DE LA TEMPÉRATURE** – Indique la température de cuisson.
- VOYANT INDICATEUR DE CHAUFFAGE** – Ce voyant s'allume quand le chauffage par air chaud fonctionne.
- TOUCHES FLÉCHÉES DE TEMPÉRATURE** – Appuyer sur ces touches afin d'entrer la température de cuisson de 60° à 260°C.
- DIODE PREMIÈRE ÉTAPE** – Cette diode s'allume lors du fonctionnement ou de la programmation de la première étape de cuisson du produit. Les cycles de cuisson ont une ou deux étapes.
- TOUCHE DE TEMPÉRATURE VÉRITABLE** – Appuyer sur cette touche pour afficher la température véritable du four.
- TOUCHE DEUXIEME ÉTAPE** – Appuyer sur cette touche pour entrer le temps de cuisson et la température de la deuxième étape.
- TOUCHES DE PRODUIT** – Trois touches programmables.
- TOUCHE DE PRODUIT CUISSON MANUELLE** – C'est la touche de produit par défaut, utilisée pour une cuisson manuelle et programmée.
- TOUCHE DÉMARRAGE** – Appuyer sur cette touche pour démarrer un cycle de cuisson.

Figure 14



Cuisson et Pause en Option

14. **TOUCHE ARRET** – Appuyer sur cette touche pour stopper les alarmes, arrêter momentanément le four ou annuler les cycles de cuisson.
15. **TOUCHE DE PROGRAMMATION** – Appuyer sur cette touche pour entrer le mode de programmation et pour sauvegarder les paramètres de programmation.
16. **INTERRUPTEUR DU VENTILATEUR** – contrôle la vitesse du ventilateur, soit rapide, soit lente.

FUNCTIONNEMENT MANUELLE

1. Régler le **SÉLECTEUR (2)** sur le mode *HOT AIR*. La **DIODE** située au-dessus de la touche Cuisson manuelle s'allume.
2. Appuyer sur les **TOUCHES FLÉCHÉES DE TEMPÉRATURE (7)** afin de régler la température de cuisson de la première étape.
3. Appuyer sur les **TOUCHES FLÉCHÉES DE LA MINUTERIE (4)** pour régler le temps de cuisson de la première étape.
4. Appuyez sur la **TOUCHE DEUXIEME ÉTAPE (10)**.

REMARQUE: On peut utiliser l'étape deux (2) soit comme mode d'attente, soit comme deuxième température de cuisson. Pare exemple : Cuire la viande ou la volaille à basse température pour une rétention maximale de l'humidité, puis régler sur la seconde étape pour le brunissement. Si vous souhaitez utiliser la seconde étape comme mode d'attente, vous devez régler un temps d'attente approprié à partir duquel l'appareil effectuera le compte à rebours.

REMARQUE: Si une deuxième étape n'est pas nécessaire, entrez 00:00 pour le temps de cuisson.

5. Appuyer sur les **TOUCHES FLÉCHÉES DE TEMPÉRATURE (7)** pour régler la température de cuisson de la deuxième étape.
6. Appuyer sur les **TOUCHES FLÉCHÉES DE LA MINUTERIE (4)** pour régler le temps de cuisson de la deuxième étape.
7. Appuyer sur la **TOUCHE DÉMARRAGE (13)** pour démarrer le cycle de cuisson. La **DIODE PREMIERE ÉTAPE (8)** s'allume. Le **CADRAN DE LA MINUTERIE (3)** affiche le compte à rebours du temps de cuisson de la première étape.
Si une deuxième étape a été sélectionnée, une alarme retentit à la fin de la première étape. Le cadran de la minuterie affiche alors le compte à rebours du temps de cuisson de la deuxième étape.
8. Lorsque toutes les étapes de cuisson sont terminées, le **CADRAN DE LA MINUTERIE (3)** affiche 00:00 en clignotant, le **CADRAN D'AF-FICHAGE DE LA TEMPÉRATURE (5)** affiche 0 en clignotant et une alarme retentit. Appuyer sur la **TOUCHE ARRET (14)** pour arrêter l'alarme. Le contrôle maintient la température de cuisson de la première étape.
9. Régler le **SÉLECTEUR (2)** sur *OFF* pour arrêter le four.

REMARQUE: Le temps de cuisson et la température choisis peuvent être modifiés à tout moment durant l'opération manuelle du four. Appuyer sur les touches fléchées de la minuterie pour changer le temps de cuisson. Appuyer sur les touches fléchées de température pour modifier la température de cuisson.



Fonctionnement

Cuisson et Pause en Option

PROGRAMMED OPERATION

REMARQUE: Référez-vous à la page 44 pour les instructions de programmation.

1. Régler le SÉLECTEUR (2) sur le mode *HOT AIR*.
2. Appuyer sur la TOUCHE DE PRODUIT (11) appropriée. La DIODE située au dessus de la touche sélectionnée s'allume.
3. Appuyez sur la TOUCHE DÉMARRAGE (13) pour démarrer le cycle de cuisson. La DIODE PREMIERE ÉTAPE (8) s'allume. Le CADRAN DE LA MINUTERIE (3) affiche le compte à rebours du temps de cuisson de la première étape.

REMARQUE: Appuyer une fois sur la TOUCHE ARRET (14) pour arrêter momentanément la première étape d'un cycle déjà entamé. Appuyer sur la TOUCHE DÉMARRAGE (13) pour redémarrer le cycle.

REMARQUE: Appuyer deux fois sur la TOUCHE ARRET (14) pour annuler la première étape d'un cycle déjà entamé.

4. Une alarme retentit pour annoncer la fin de la première étape. Le cadran de la minuterie affiche le compte à rebours du temps de cuisson de la deuxième étape.

REMARQUE: Appuyer une fois sur le TOUCHE ARRET (14) pour annuler la deuxième étape d'un cycle déjà entamé. Si la deuxième étape d'un cycle est déjà entamée, ce dernier ne peut être interrompu momentanément.

5. Lorsque toutes les étapes de la cuisson sont achevées, le CADRAN DE LA MINUTERIE (3) affiche 00:00 en clignotant, le CADRAN DE LA TEMPÉRATURE (5) affiche 0 en clignotant et une alarme retentit. Appuyer sur la TOUCHE ARRET (14) pour arrêter l'alarme. Le contrôle maintient la température de cuisson de la première étape.

PROGRAMMATION DES TOUCHES DE PRODUITS

1. Régler le SÉLECTEUR (2) sur le mode *HOT AIR*.
2. Appuyer sur la TOUCHE DE PRODUIT (11) appropriée.
3. Appuyer sur la TOUCHE DE PROGRAMMATION (15) et maintenez-la enfoncée pendant cinq secondes. Le contrôle émet un signal sonore. La DIODE de la touche de produit et la DIODE PREMIERE ÉTAPE (8) s'allument.
4. Appuyer sur les TOUCHES FLÉCHÉES DE TEMPÉRATURE (7) pour régler la température de cuisson de la première étape.
5. Appuyer sur les TOUCHES FLÉCHÉES DE LA MINUTERIE (4) pour régler le temps de cuisson de la première étape.
6. Appuyer sur la TOUCHE DEUXIEME ÉTAPE (10).

REMARQUE: On peut utiliser l'étape deux (2) soit comme mode d'attente, soit comme deuxième température de cuisson. Pare exemple : Cuire la viande ou la volaille à basse température pour une rétention maximale de l'humidité, puis régler sur la seconde étape pour le brunissement. Si vous souhaitez utiliser la seconde étape comme mode d'attente, vous devez régler un temps d'attente approprié à partir duquel l'appareil effectuera le compte à rebours.

REMARQUE: Si la deuxième étape de cuisson n'est pas nécessaire, entrez 00:00 pour le temps de cuisson.

7. Appuyer sur les TOUCHES FLÉCHÉES DE TEMPÉRATURE (7) pour régler la température de cuisson de la deuxième étape.
8. Appuyer sur les TOUCHES FLÉCHÉES DE LA MINUTERIE (4) pour régler le temps de cuisson de la deuxième étape.
9. Appuyer sur la TOUCHE DE PROGRAMMATION (15) et maintenez-la enfoncée pour sauvegarder les paramètres de programmation.



Cuisson et Pause en Option

PROGRAMMATION DE LA TOUCHE CUISSON MANUELLE

REMARQUE: La touche Cuisson manuelle peut être utilisée pour la cuisson en mode manuel et programmée.

1. Régler le SÉLECTEUR (2) sur le mode *HOT AIR*.
2. Appuyer sur la TOUCHE CUISSON MANUELLE (12). La DIODE située au dessus de la touche Cuisson manuelle s'allume.
3. Appuyer sur les TOUCHES FLÉCHÉES DE TEMPÉRATURE (7) pour régler le temps de cuisson de la première.
4. Appuyer sur les TOUCHES FLÉCHÉES DE LA MINUTERIE (4) pour régler le temps de cuisson de la première étape.
5. Appuyer sur la TOUCHE DEUXIEME ÉTAPE (10).

REMARQUE: On peut utiliser l'étape deux (2) soit comme mode d'attente, soit comme deuxième température de cuisson. Pare exemple : Cuire la viande ou la volaille à basse température pour une rétention maximale de l'humidité, puis régler sur la seconde étape pour le brunissement. Si vous souhaitez utiliser la seconde étape comme mode d'attente, vous devez régler un temps d'attente approprié à partir duquel l'appareil effectuera le compte à rebours.

REMARQUE: Si la deuxième étape de cuisson n'est pas nécessaire, entrez 00:00 pour le temps de cuisson.

6. Appuyer sur les TOUCHES FLÉCHÉES DE TEMPÉRATURE (7) pour régler la température de cuisson de la deuxième étape.
7. Appuyer sur les TOUCHES FLÉCHÉES DE LA MINUTERIE (4) pour régler le temps de cuisson de la deuxième étape.
8. Appuyer sur la TOUCHE DE PROGRAMMATION (15) et maintenez-la enfoncée pour sauvegarder les paramètres de programmation.

REMARQUE: Le temps de cuisson et la température choisis peuvent être modifiés à tout moment durant l'opération manuelle du four. Appuyer sur les touches fléchées de la minuterie pour changer le temps de cuisson. Appuyer sur les touches fléchées de température pour modifier la température de cuisson.



Fonctionnement

Sonde thermique optionnelle

IDENTIFICATION DES COMMANDES

1. **COMMUTATEUR DE LA SONDE THERMIQUE** – Commande l'alimentation de la sonde thermique.
2. **COMMANDE DE LA SONDE THERMIQUE** – Permet de régler la température de la sonde. Affiche la température réelle de l'aliment.
3. **CONNECTEUR DE LA SONDE THERMIQUE** – Prise pour brancher la sonde thermique.

REMARQUE: Pour des raisons sanitaires, il est recommandé de toujours laisser la sonde thermique branchée dans le connecteur frontal.

FONCTIONNEMENT

La mesure de la température interne d'un aliment durant une longue période de rôtissage devient un facteur très utile. Il est très important que certains aliments, comme le rôti de boeuf, atteignent une température interne spécifique.

Introduisez la sonde jusqu'au milieu de l'aliment dans sa partie la plus épaisse. Veillez à ce que la sonde ne touche à aucun os et que sa pointe ne se trouve pas dans une poche de gras. Ces deux situations peuvent mener à des lectures erronées.

1. Réglez le **SÉLECTEUR DE MODE** sur le mode **HOT AIR**.
2. Placez le **COMMUTATEUR DE LA SONDE THERMIQUE** (1) à la position **ON** (marche).
3. Pour régler la température désirée au milieu de la viande, appuyez sur le **BOUTON *** (4) de la **COMMANDE DE LA SONDE THERMIQUE** (2) de façon continue.

Appuyez sur la touche fléchée haut (6) pour accroître la température de déclenchement. Appuyez sur la touche fléchée bas (5) pour diminuer la température de déclenchement.

4. Réglez la **MINUTERIE** sur la position **STAY ON** (rester allumé). La cuisson se fait automatiquement.

Lorsque le cœur de l'aliment atteint la température choisie, la sonnerie retentit et l'appareil s'éteint automatiquement.

Vous pouvez modifier la température et le mode en tout temps durant la cuisson.

5. Arrêtez le four en plaçant toutes les commandes à la position **OFF** (arrêt).

REMARQUE: Lors du réglage de la température interne, veillez à prévoir le fait que la cuisson se poursuit après avoir retiré l'aliment du four.

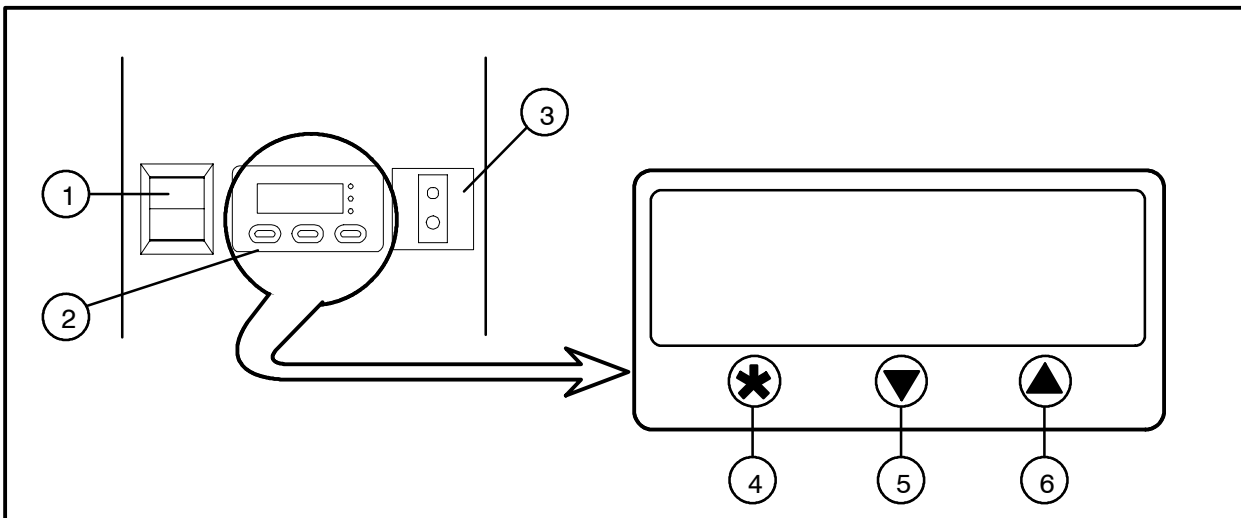


Figure 15



Procédure de fonctionnement du pulvérisateur

REMARQUE: Utilisez un bon produit de nettoyage non toxique pour l'acier inoxydable de qualité industrielle. N'UTILISEZ PAS de produits corrosifs sur le four-éleveur.

1. Dévissez la tête de pulvérisation et remplissez le contenant jusqu'au repère MAX. Vissez fermement la tête de pulvérisation pour former un joint étanche. Le liquide doit être propre et exempt de toute impureté. Ne pas trop remplir, car il doit y avoir de l'espace pour l'air comprimé.
2. Pour accroître la pression, pompez environ 20 coups une fois le contenant rempli de liquide. Plus la pression est forte, plus les gouttes seront fines. Si le contenant est rempli à moitié, il vous faudra pomper davantage pour comprimer l'air supplémentaire.
3. Pour pulvériser, appuyez du pouce sur le déclencheur.
4. Au bout d'un certain temps de pulvérisation, la pression diminue. Rétablissez la pression en actionnant la pompe à air.
5. À la fin, détendez la pression en inversant la tête de pulvérisation et en appuyant sur le déclencheur ou en dévissant lentement la tête de pulvérisation pour laisser l'air d'échapper par l'ouverture de remplissage.
6. Après une utilisation, rincez le pulvérisateur à l'eau propre et vérifiez que le trou du gicleur est totalement propre et net. Utilisez à cette fin une eau tiède (et non chaude) et un détergent domestique.

REMARQUE: Pour obtenir de plus amples renseignements, consultez le livret d'instructions fourni avec le pulvérisateur.



ATTENTION !!

Portez des lunettes et des vêtements protecteurs lorsque vous utilisez des produits de nettoyage.

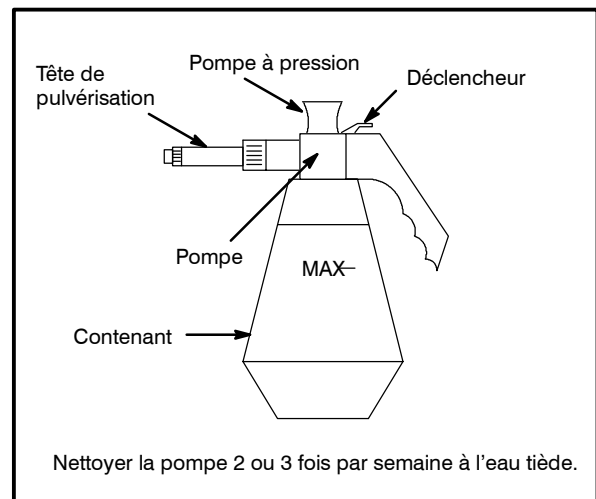


Figure 16

Pulvérisateur complet – numéro de pièce R0006
 Trousse de réparation
 de la tête de
 pulvérisateur – numéro de pièce R6332



Entretien

Nettoyage et entretien préventif

NETTOYAGE DE L'INTÉRIEUR

Le nettoyage quotidien du four est essentiel pour respecter les conditions sanitaires minimales et éviter les problèmes de fonctionnement. Utilisez un détergent pour four conjointement au pulvérisateur fourni.

Pour le nettoyage de taches tenaces, laissez agir plus longtemps le détergent à vaporiser avant de procéder au rinçage.

1. Refroidir l'appareil à 60°C.
2. Remplir la bouteille vaporisatrice et pomper l'air dans le conteneur à l'aide de la pompe de pression.
3. Vaporiser l'intérieur du four avec la solution de nettoyage
REMARQUE: Ne jamais vaporiser d'eau dans l'unité quand sa température est au-dessus de 100°C.
4. Laisser agir le produit de nettoyage pendant 10 à 20 minutes avec le four à l'arrêt.
5. Rincez l'intérieur du four avec l'ensemble tuyau/bouteille vaporisatrice.

REMARQUE: L'intérieur du four ne doit jamais être gratté ni décapé.

NETTOYAGE DE L'EXTÉRIEUR

Vous pouvez nettoyer l'extérieur de l'appareil et le maintenir en bon état au moyen d'une huile légère. Imbibez un chiffon et frottez l'appareil lorsqu'il est froid, puis essuyez avec un chiffon propre et sec.



ATTENTION !!

NE PULVÉRISEZ PAS l'extérieur de l'appareil avec de l'eau et ne le nettoyez pas au moyen d'un jet d'eau.

ENTRETIEN PRÉVENTIF

Les meilleures mesures d'entretien préventif sont une mise en service initiale du four appropriée et un programme régulier de nettoyage et détartrage. Le four-étuveur n'exige aucune lubrification. Communiquez avec le fabricant, son représentant ou l'entreprise locale d'entretien des produits Combi de Blodgett pour effectuer l'entretien et les réparations, le cas échéant.

**INSERT
WIRING DIAGRAM
HERE**

**PLACER
SCHÉMA DE CÂBLAGE
ICI**

Free Manuals Download Website

<http://myh66.com>

<http://usermanuals.us>

<http://www.somanuals.com>

<http://www.4manuals.cc>

<http://www.manual-lib.com>

<http://www.404manual.com>

<http://www.luxmanual.com>

<http://aubethermostatmanual.com>

Golf course search by state

<http://golfingnear.com>

Email search by domain

<http://emailbydomain.com>

Auto manuals search

<http://auto.somanuals.com>

TV manuals search

<http://tv.somanuals.com>