



QSIG/DPNSS Phone System with Cisco EGW 2200 Integration Guide for Cisco Unity Connection 1.1

Published November 22, 2005

This document provides instructions for integrating a QSIG/DPNSS phone system with Cisco Unity Connection through a Cisco EGW 2200.

Integration Tasks

Before doing the following tasks to integrate Cisco Unity Connection with a QSIG/DPNSS phone system through a Cisco EGW 2200, confirm that the Cisco Unity Connection server is ready for the integration by completing the appropriate tasks in the *Cisco Unity Connection Installation Guide*.

The following task lists describe the process for creating, changing, and deleting integrations.

Task List to Create the Integration

Use the following task list to set up a new integration with a QSIG/DPNSS phone system. If you are installing a new Cisco Unity Connection server by using the *Cisco Unity Connection Installation Guide*, you may have already completed some of the following tasks.

1. Review the system and equipment requirements to confirm that all phone system and Cisco Unity Connection server requirements have been met. See the [“Requirements” section on page 2](#).
2. Plan how the voice messaging ports will be used by Cisco Unity Connection. See the [“Planning How the Voice Messaging Ports Will Be Used by Cisco Unity Connection” section on page 4](#).
3. Program the QSIG/DPNSS phone system. See the [“Programming the QSIG/DPNSS Phone System” section on page 5](#).
4. Set up the Cisco EGW 2200. See the [“Setting Up the Cisco EGW 2200” section on page 6](#).
5. Create the integration. See the [“Creating a New Integration with the QSIG/DPNSS Phone System” section on page 6](#).



Corporate Headquarters:
Cisco Systems, Inc., 170 West Tasman Drive, San Jose, CA 95134-1706 USA

© 2005 Cisco Systems, Inc. All rights reserved.

6. Test the integration. See the “[Testing the Integration](#)” section on page 9.
7. If this integration is a second or subsequent integration, add the applicable new user templates for the new phone system. See the [\(Multiple Integrations Only\) Adding New User Templates](#), page 13.

Task List to Make Changes to an Integration

Use the following task list to make changes to an integration after it has been created.

1. Start Cisco Unity Connection Administration.
2. Make the changes you want to the existing integration. See the “[Changing the Settings for an Existing Integration](#)” section on page 13.

Task List to Delete an Existing Integration

Use the following task list to remove an existing integration.

1. Start Cisco Unity Connection Administration.
2. Delete the existing integration. See the “[Deleting an Existing Phone System Integration](#)” section on page 14.

Requirements

The QSIG/DPNSS integration supports configurations of the following components:

Phone System

- A QSIG/DPNSS phone system.
- The phone system ready for the integration as described in the installation guide for the phone system and the Cisco EGW 2200 documentation.
- A VoIP gateway configured and connected to the QSIG/DPNSS phone system.

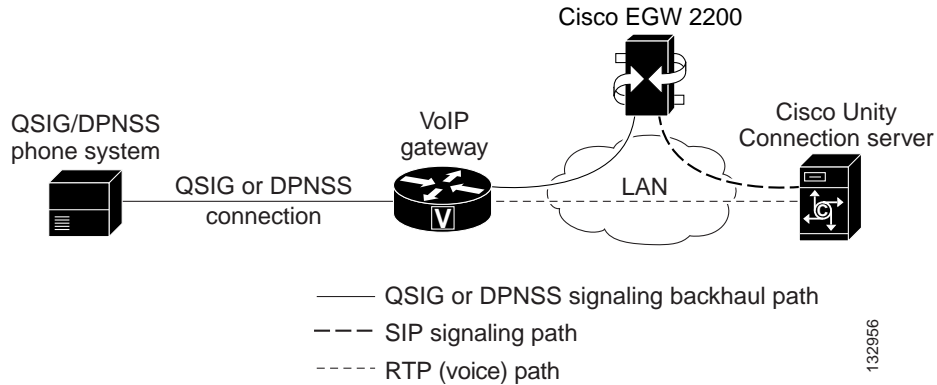
Cisco Unity Connection Server

- Cisco Unity Connection installed and ready for the integration, as described in the *Cisco Unity Connection Installation Guide* at http://www.cisco.com/en/US/products/ps6509/prod_installation_guides_list.html.
- A license that enables the applicable number of voice messaging ports.
- A Cisco EGW 2200 ready for the integration as described in the Cisco EGW 2200 documentation.
- The Cisco EGW 2200 connected to the LAN and configured for a QSIG/DPNSS backhaul signaling stream from the VoIP gateway.

Integration Description

The QSIG/DPNSS integration uses a Cisco EGW 2200, which translates QSIG or DPNSS call signaling into SIP, a VoIP gateway, and the LAN to connect Cisco Unity Connection and a QSIG/DPNSS phone system. [Figure 1](#) shows the required connections.

Figure 1 Connections Between a QSIG/DPNSS Phone System and Cisco Unity Connection



Call Information

The QSIG/DPNSS integration sends the following information with forwarded calls:

- The extension of the called party
- The extension of the calling party (for internal calls) or the phone number of the calling party (if it is an external call and the system uses caller ID)
- The reason for the forward (the extension is busy, does not answer, or is set to forward all calls)

Cisco Unity Connection uses this information to answer the call appropriately. For example, a call forwarded to Cisco Unity Connection is answered with the personal greeting of the user. If the phone system routes the call to Cisco Unity Connection without this information, Cisco Unity Connection answers with the opening greeting.

Integration Features

The QSIG/DPNSS integration with Cisco Unity Connection provides the following features.

Call forward to personal greeting	When an incoming call is routed to an unanswered extension, the call is forwarded to the voice mail of the user. The caller then hears the personal greeting of the user and can leave a message.
Call forward to busy greeting	When an incoming call is routed to a busy extension, the call is forwarded to the voice mail of the user. The caller then hears the busy greeting (if the user enabled it) and can leave a message.
Caller ID	Cisco Unity Connection receives caller ID information from the phone system (if available). This information appears in the subject line of the message in the desktop messaging application.
Easy message access	A user can retrieve messages without entering an ID. Cisco Unity Connection identifies a user based on the extension from which the call originated. A password may be required.

Identified user messaging	Cisco Unity Connection automatically identifies a user who leaves a message during a forwarded internal call, based on the extension from which the call originated.
Message waiting indication	When a message is waiting for a user, Cisco Unity Connection notifies the phone system to activate the message waiting indicator (MWI) on the user extension.

Integrations with Multiple Phone Systems

Cisco Unity Connection can be integrated with multiple phone systems at one time. For the most recent information on and instructions for integrating Cisco Unity Connection with multiple phone systems, refer to the *Multiple Phone System Integration Guide* at http://www.cisco.com/en/US/products/ps6509/products_installation_and_configuration_guides_list.html.


Planning How the Voice Messaging Ports Will Be Used by Cisco Unity Connection

Before programming the phone system, you need to plan how the voice messaging ports will be used by Cisco Unity Connection.

Unlike other integrations, the hunt group mechanism for a QSIG/DPNSS phone system integration is implemented on the Cisco Unity Connection server. Within a port group, each incoming call hunts for an available voice messaging port among all the ports in a round-robin (or circular) fashion. If a voice messaging port in the cluster is set not to answer calls or is not enabled, a call reaching that port may receive a busy signal.

Table 1 describes the voice messaging port settings in Cisco Unity Connection that can be set on Telephony Integrations > Port of Cisco Unity Connection Administration.

Table 1 Settings for the Voice Messaging Ports

Field	Considerations
Enabled	Check this check box.
Answer Calls	Check this check box.  Caution All voice messaging ports connecting to the phone system must have the Answer Calls box checked. Otherwise, calls to Cisco Unity Connection may not be answered.
Perform Message Notification	Check this check box to designate the port for notifying users of messages.
Send MWI Requests	Check this check box to designate the port for turning MWIs on and off.
Allow TRAP Connections	Check this check box so that users can use the phone as a recording and playback device in Cisco Unity Connection web applications and e-mail clients.

The Number of Voice Messaging Ports to Install

The number of voice messaging ports to install depends on numerous factors, including:

- The number of calls Cisco Unity Connection will answer when call traffic is at its peak.
- The expected length of each message that callers will record and that users will listen to.
- The number of users.
- The number of calls made for message notification.
- The number of MWIs that will be activated when call traffic is at its peak.
- The number of TRAP connections needed when call traffic is at its peak. (TRAP connections are used by Cisco Unity Connection web applications and e-mail clients to play back and record over the phone.)
- The number of calls that will use the automated attendant and call handlers when call traffic is at its peak.

It is best to install only the number of voice messaging ports that are needed so that system resources are not allocated to unused ports.

The Number of Voice Messaging Ports That Will Answer Calls

The calls that the voice messaging ports answer can be incoming calls from unidentified callers or from users. Assign all of the voice messaging ports to answer calls.

You can set voice messaging ports to both answer calls and to dial out (for example, to set MWIs).

The Number of Voice Messaging Ports That Will Dial Out

Ports that will dial out can do one or more of the following:

- Notify users by phone, pager, or e-mail of messages that have arrived.
- Turn MWIs on and off for user extensions.
- Make a TRAP connection so that users can use the phone as a recording and playback device in Cisco Unity Connection web applications and e-mail clients.

Preparing for Programming the Phone System

Record your decisions about the voice messaging ports to guide you in programming the phone system.

Programming the QSIG/DPNSS Phone System

For information on provisioning a QSIG or DPNSS phone system to integrate with Cisco Unity Connection, refer to the Cisco EGW 2200 documentation.



Caution

In programming the phone system, do not send calls to voice messaging ports in Cisco Unity Connection that cannot answer calls (voice messaging ports that are not set to Answer Calls). For example, if a voice messaging port is set only to Dialout MWI, do not send calls to it.



Note

You can use alternate extensions to create multiple line appearances, enable easy message access from cell phones, and simplify addressing messages to users at different locations in Cisco Unity Connection. Enabling alternate MWIs lets Cisco Unity Connection turn MWIs on at more than one extension. For details, see the [“Appendix: Using Alternate Extensions and MWIs” section on page 15](#).

Setting Up the Cisco EGW 2200

For information on setting up the Cisco EGW 2200, refer to the Cisco EGW 2200 documentation.

Creating a New Integration with the QSIG/DPNSS Phone System

After ensuring that the QSIG/DPNSS phone system and Cisco Unity Connection are ready for the integration, do the following procedures to set up the integration and to enter the port settings.


To Create an Integration

- Step 1** Log on to Cisco Unity Connection Administration.
- Step 2** In Cisco Unity Connection Administration, expand **Telephony Integrations**, then click **Phone System**.
- Step 3** On the Search Phone Systems page, on the Phone System menu, click **New Phone System**. The Phone System Integration Wizard appears.
- Step 4** On the Select Phone System Manufacturer page, in the Manufacturer field, click **QSIG/DPNSS** and click **Next**.
- Step 5** On the Select Phone System Model page, in the Model field, click **QSIG/DPNSS** and click **Next**.
- Step 6** On the Set Up Phone System page, in the Phone System Name field, accept the default name or enter the descriptive name that you want, and click **Next**.
- Step 7** On the Select Port Group Template page, in the Port Group Template field, click **QSIG/DPNSS PBX via Cisco EGW 2200** and click **Next**.
- Step 8** On the Set Up Port Group page, enter the following settings and click **Next**.

Table 2 Settings for the Set Up Port Group Page

Field	Setting
Port Group Name	<a descriptive name for the port group; accept the default name or enter the name that you want>
Contact Line Name	<the voice messaging pilot number that matches the Cisco EGW 2200 dial plan configuration>
Authenticate with SIP Proxy Server	If you do not use a SIP proxy server, uncheck the check box. If you use a SIP proxy server, indicate whether you want Cisco Unity Connection to authenticate with the SIP proxy server.
Authentication User Name	<the name that Cisco Unity Connection will use to authenticate with the SIP proxy server>
Authentication Password	<the password that Cisco Unity Connection will use to authenticate with the SIP proxy server>
Number of Ports	<the number of voice messaging ports that you want to create in this port group>
IP Address or Host Name	<the IP address (or host name) of the primary Cisco EGW 2200 or SIP proxy server that you are connection to Cisco Unity Connection>

Table 2 Settings for the Set Up Port Group Page (continued)

Field	Setting
Test Address	Click this button to verify the IP address (or host name) that you entered. The result of the test appears in the text box beside the button.
Port	<p><the IP port of the primary Cisco EGW 2200 or SIP proxy server that you are connecting to Cisco Unity Connection; we recommend that you use the default setting></p> <p> Caution This setting must match the port setting of the Cisco EGW 2200 or SIP proxy server. Otherwise the integration will not function correctly.</p>

- Step 9** On the Confirm Phone System Settings page, confirm the settings that you have entered and click **Finish**.
- Step 10** On the Phone System Creation Summary page, click **Close**.
- Step 11** In Cisco Unity Connection Administration, expand **Telephony Integrations**, then click **Port Group**.
- Step 12** On the Search Port Groups page, click the display name of the port group that you created for the QSIG/DPNSS integration.



Note By default, the display name for a port group is composed of the phone system display name followed by an incrementing number.

- Step 13** On the Port Group Basics page, on the Edit menu, click **Servers**.
- Step 14** On the Edit Servers page, do the following substeps if there is a secondary Cisco EGW 2220 or SIP proxy server. Otherwise, continue to [Step 15](#).
 - a. Under SIP Proxy Servers, click **Add**.
 - b. Enter the following settings for the secondary Cisco EGW 2220 or SIP proxy server and click **Save**.

Table 3 Settings for the Cisco EGW 2220 or SIP Proxy Server

Field	Setting
Order	<the order of priority for the Cisco EGW 2220 or SIP proxy server; the lowest number is the primary Cisco EGW 2220 or SIP proxy server, the higher numbers are the secondary servers>
IP Address or Host Name	<the IP address (or host name) of the secondary Cisco EGW 2220 or SIP proxy server>
Port	<the IP port of the secondary Cisco EGW 2220 or SIP proxy server that you are integrating with Cisco Unity Connection; we recommend that you use the default setting>



Note You can click **Ping** to verify the IP address (or host name) of the Cisco EGW 2220 or SIP proxy server.

- c. Repeat [Step 14a.](#) and [Step 14b.](#) for any remaining secondary Cisco EGW 2200 or SIP proxy server in the cluster.

Step 15 In Cisco Unity Connection Administration, expand **Telephony Integrations**, then click **Port**.


Step 16 On the Search Ports page, click the display name of the first voice messaging port that you created for this phone system integration.



Note By default, the display names for the voice messaging ports are composed of the port group display name followed by incrementing numbers.

Step 17 On the Port Basics page, enter the following settings. The fields in the following table are the ones that you can change.

Table 4 *Settings for the Voice Messaging Ports*

Field	Considerations
Enabled	Check this check box.
Answer Calls	Check this check box.  Caution All voice messaging ports connecting to the phone system must have the Answer Calls box checked. Otherwise, calls to Cisco Unity Connection may not be answered.
Perform Message Notification	Check this check box to designate the port for notifying users of messages.
Send MWI Requests	Check this check box to designate the port for turning MWIs on and off.
Allow TRAP Connections	Check this check box so that users can use the phone as a recording and playback device in Cisco Unity Connection web applications and e-mail clients.

Step 18 Click **Save**.

Step 19 Click **Next**.

Step 20 Repeat [Step 17](#) through [Step 19](#) for all remaining voice messaging ports for the phone system.

Step 21 If another phone system integration exists, in Cisco Unity Connection Administration, expand **Telephony Integrations**, then click **Trunk**. Otherwise, skip to [Step 25](#).

Step 22 On the Search Phone System Trunks page, on the Phone System Trunk menu, click **New Phone System Trunk**.

Step 23 On the New Phone System Trunk page, enter the following settings for the phone system trunk and click **Save**.

Table 5 *Settings for the Phone System Trunk*

Field	Setting
From Phone System	<the display name of the phone system that you are creating a trunk for>
To Phone System	<the display name of the previously existing phone system that the trunk will connect to>
Trunk Access Code	<the extra digits that Cisco Unity Connection must dial to transfer calls through the gateway to extensions on the previously existing phone system>

- Step 24** Repeat [Step 22](#) and [Step 23](#) for all remaining phone system trunks that you want to create.
- Step 25** If prompted to restart Cisco Unity Connection, in the Windows task bar, right-click the **Cisco Unity Connection** icon and click **Restart > Voice Processing Server Role**.
- Step 26** When prompted to confirm stopping the Voice Processing server role, click **Yes**.
- Step 27** In Cisco Unity Connection Administration, in the Related Links drop-down list, click **Check Telephony Configuration** and click **Go** to confirm the phone system integration settings.
If the test is not successful, the Task Execution Results displays one or more messages with troubleshooting steps. After correcting the problems, test the connection again.
- Step 28** In the Task Execution Results window, click **Close**.
- Step 29** Log off Cisco Unity Connection Administration.

Testing the Integration

To test whether Cisco Unity Connection and the phone system are integrated correctly, do the following procedures in the order listed.

If any of the steps indicate a failure, refer to the following documentation as applicable:

- The installation guide for the phone system.
- The setup information earlier in this guide.

To Set Up the Test Configuration

- Step 1** Set up two test extensions (Phone 1 and Phone 2) on the same phone system that Cisco Unity Connection is connected to.
- Step 2** Set Phone 1 to forward calls to the Cisco Unity Connection pilot number when calls are not answered.



Caution The phone system must forward calls to the Cisco Unity Connection pilot number in no fewer than four rings. Otherwise, the test may fail.

- Step 3** To create a test user for testing, in Cisco Unity Connection Administration, click **Users**.
- Step 4** On the Search Users page, on the User menu, click **New User**.
- Step 5** On the New User page, enter the following settings.

Table 6 Settings for the New User Page

Field	Setting
User Type	User with Voice Mailbox
User Template	<the applicable user template>
Alias	testuser
First Name	Test
Last Name	User

Table 6 Settings for the New User Page (continued)

Field	Setting
Display Name	Test User
Extension	<the extension of Phone 1>

- Step 6 Click **Save**.
- Step 7 On the User Basics page, in the Voice Name field, record a voice name for the test user.
- Step 8 In the Phone System field, confirm that the phone system selected is the phone system that Phone 1 is connected to.
- Step 9 Uncheck the **Set for Self-enrollment at Next Login** check box.
- Step 10 Click **Save**.
- Step 11 On the Edit menu, click **Message Waiting Indicators**.
- Step 12 On the Message Waiting Indicators page, click the message waiting indicator. If no message waiting indication is in the table, click **Add New**.
- Step 13 On the Edit Message Waiting Indicator page, enter the following settings.

Table 7 Settings for the Edit MWI Page

Field	Setting
Enabled	Check this check box to enable MWIs for the test user.
Display Name	Accept the default or enter a different name.
Inherit User's Extension	Check this check box to enable MWIs on Phone 1.
Extension	<the extension of Phone 1>
Phone System	<the phone system that Phone 1 is connected to>

- Step 14 Click **Save**.
- Step 15 On the Edit menu, click **Transfer Options**.
- Step 16 On the Edit Transfer Option page, under Call Transfer, click the **Extension** option and enter the extension of Phone 1.
- Step 17 In the Transfer Type field, click **Release to Switch**.
- Step 18 Click **Save**.
- Step 19 Minimize the Cisco Unity Connection Administration window.
Do not close the Cisco Unity Connection Administration window because you will use it again in a later procedure.
- Step 20 On the Cisco Unity Connection desktop, double-click the **Tools Depot** icon.
- Step 21 In the left pane of the Tools Depot window, expand **Switch Integration Tools**, then double-click **Port Status Monitor**. The Port Status Monitor window appears.
- Step 22 On the Ports menu, click **Start All**, and arrange the port monitors so that you can notice which port will handle the calls that you will make.

To Test an External Call with Release Transfer

- Step 1** From Phone 2, enter the access code necessary to get an outside line, then enter the number outside callers use to dial directly to Cisco Unity Connection.
 - Step 2** In the Port Status Monitor, note which port handles this call.
 - Step 3** When you hear the opening greeting, enter the extension for Phone 1. Hearing the opening greeting means that the port is configured correctly.
 - Step 4** Confirm that Phone 1 rings and that you hear a ringback tone on Phone 2. Hearing a ringback tone means that Cisco Unity Connection correctly released the call and transferred it to Phone 1.
 - Step 5** Leaving Phone 1 unanswered, confirm that the state of the port handling the call changes to “Idle.” This state means that release transfer is successful.
 - Step 6** Confirm that, after the number of rings that the phone system is set to wait, the call is forwarded to Cisco Unity Connection and that you hear the greeting for the test user. Hearing the greeting means that the phone system forwarded the unanswered call and the call-forward information to Cisco Unity Connection, which correctly interpreted the information.
 - Step 7** On the Port Status Monitor, note which port handles this call.
 - Step 8** Leave a message for the test user and hang up Phone 2.
 - Step 9** In the Port Status Monitor, confirm that the state of the port handling the call changes to “Idle.” This state means that the port was successfully released when the call ended.
 - Step 10** Confirm that the MWI on Phone 1 is activated. The activated MWI means that the phone system and Cisco Unity Connection are successfully integrated for turning on MWIs.
-

To Test Listening to Messages

- Step 1** From Phone 1, enter the internal pilot number for Cisco Unity Connection.
 - Step 2** When asked for your password, enter the password for the test user. Hearing the request for your password means that the phone system sent the necessary call information to Cisco Unity Connection, which correctly interpreted the information.
 - Step 3** Confirm that you hear the recorded voice name for the test user (if you did not record a voice name for the test user, you will hear the extension number for Phone 1). Hearing the voice name means that Cisco Unity Connection correctly identified the user by the extension.
 - Step 4** Listen to the message.
 - Step 5** After listening to the message, delete the message.
 - Step 6** Confirm that the MWI on Phone 1 is deactivated. The deactivated MWI means that the phone system and Cisco Unity Connection are successfully integrated for turning off MWIs.
 - Step 7** Hang up Phone 1.
 - Step 8** On the Port Status Monitor, confirm that the state of the port handling the call changes to “Idle.” This state means that the port was successfully released when the call ended.
-

To Set Up Supervised Transfer on Cisco Unity Connection

- Step 1** In Cisco Unity Connection Administration, on the Edit Transfer Option page for the test user, in the Transfer Type field, click **Supervise Transfer**.
 - Step 2** In the Rings to Wait For field, enter **3**.
 - Step 3** Click **Save**.
 - Step 4** Minimize the Cisco Unity Connection Administration window.
Do not close the Cisco Unity Connection Administration window because you will use it again in a later procedure.
-

To Test Supervised Transfer

- Step 1** From Phone 2, enter the access code necessary to get an outside line, then enter the number outside callers use to dial directly to Cisco Unity Connection.
 - Step 2** On the Port Status Monitor, note which port handles this call.
 - Step 3** When you hear the opening greeting, enter the extension for Phone 1. Hearing the opening greeting means that the port is configured correctly.
 - Step 4** Confirm that Phone 1 rings and that you do not hear a ringback tone on Phone 2. Instead, you should hear the indication your phone system uses to mean that the call is on hold (for example, music).
 - Step 5** Leaving Phone 1 unanswered, confirm that the state of the port handling the call remains “Busy.” This state and hearing an indication that you are on hold mean that Cisco Unity Connection is supervising the transfer.
 - Step 6** Confirm that, after three rings, you hear the greeting for the test user. Hearing the greeting means that Cisco Unity Connection successfully recalled the supervised-transfer call.
 - Step 7** During the greeting, hang up Phone 2.
 - Step 8** On the Port Status Monitor, confirm that the state of the port handling the call changes to “Idle.” This state means that the port was successfully released when the call ended.
 - Step 9** Exit the Port Status Monitor.
-

To Delete the Test User

- Step 1** In Cisco Unity Connection Administration, click **Users**.
 - Step 2** On the Search Users page, check the check box to the left of the test user.
 - Step 3** Click **Delete Selected**.
-

(Multiple Integrations Only) Adding New User Templates

When you create the first phone system integration, this phone system is automatically selected in the default user template. The users that you add after creating this phone system integration will be assigned to this phone system by default.

However, for each additional phone system integration that you create, you must add the applicable new user templates that will assign users to the new phone system. You must add the new templates before you add new users who will be assigned to the new phone system.

For details on adding new user templates, refer to the “Adding, Changing, or Deleting an Account Template” chapter in the *Cisco Unity Connection User Moves, Adds, and Changes Guide* at http://www.cisco.com/en/US/products/ps6509/prod_maintenance_guides_list.html.

For details on selecting a user template when adding a new user, refer to the applicable chapter for adding user accounts in the *Cisco Unity Connection User Moves, Adds, and Changes Guide* at http://www.cisco.com/en/US/products/ps6509/prod_maintenance_guides_list.html.

Changing the Settings for an Existing Integration

After the integration is set up, if you want to change any of its settings (for example, to add or remove voice messaging ports for an integration), do the following procedure.

To Change the Settings for an Integration

-
- Step 1 Log on to Cisco Unity Connection Administration.
 - Step 2 In Cisco Unity Connection Administration, expand **Telephony Integrations**.
 - Step 3 Click the applicable location:
 - **Phone System**
 - **Port Group**
 - **Port**
 - Step 4 On the Search page, click the phone system, port group, or port for which you want to change settings.
 - Step 5 Enter new settings in the fields that you want to change.



Caution If you are adding or removing voice messaging ports, make sure you change the settings for the individual ports so that there are an appropriate number of ports set to answer calls and an appropriate number of ports set to dial out.

- Step 6 Click **Save**.
- Step 7 If prompted to restart Cisco Unity Connection, in the Windows task bar, right-click the **Cisco Unity Connection** icon and click **Restart > Voice Processing Server Role**.
- Step 8 When prompted to confirm stopping the Voice Processing server role, click **Yes**.
- Step 9 In Cisco Unity Connection Administration, in the Related Links drop-down list, click **Check Telephony Configuration** and click **Go** to confirm the phone system integration settings.

If the test is not successful, the Task Execution Results displays one or more messages with troubleshooting steps. After correcting the problems, test the connection again.

- Step 10** In the Task Execution Results window, click **Close**.
- Step 11** Log off Cisco Unity Connection Administration.
-

Deleting an Existing Phone System Integration

If you want to delete an existing phone system integration (for example, you have replaced the phone system with which Cisco Unity Connection originally integrated), confirm that the following items are deleted or associated to another phone system:

- Users (including MWI devices and notification devices) who are associated with the phone system that you want to delete.
To see a list of users associated with the phone system, in Cisco Unity Connection Administration, expand **Telephony Integrations > Phone System**; click the name of the phone system; on the Phone System Basics page, on the Edit menu, click **Phone System Associations**.
- User templates that are associated with the phone system that you want to delete.
- System call handlers that are associated with the phone system that you want to delete.
- Call handler templates that are associated with the phone system that you want to delete.

If users, user templates, call handlers, MWI devices, or notification devices are associated with this phone system, Cisco Unity Connection cannot delete the phone system.

When you attempt to delete a phone system that still has these items associated with it, a status warning will appear with a link to the Delete Phone System Wizard. This wizard will guide you to associate all items from the phone system that you want to delete to another phone system.

All users, user templates, call handlers, MWI devices and notification devices that are associated with a phone system must be reassigned before the phone system can be deleted.



Note

You can see a list of users who are associated with a phone system on the Phone System Associations page for the phone system. To view Phone System Associations page, on the Phone System Basics page, click **Phone System Associations** on the Edit menu.

It is not necessary to delete the port groups or ports that belong to a phone system before deleting the phone system integration. The member port groups and ports will be automatically deleted with the phone system.



Note

Port groups and ports that do not belong to the phone system will not be affected when the phone system integration is deleted.

Do the following procedure.

To Delete an Existing Phone System Integration

- Step 1** Log on to Cisco Unity Connection Administration.
- Step 2** In Cisco Unity Connection Administration, expand **Telephony Integrations**, then click **Phone System**.

- Step 3** On the Search Phone Systems page, check the check box to the left of the phone system that you want to delete.
- Step 4** Click **Delete Selected**.
- Step 5** When prompted to confirm that you want to delete the phone system, click **OK**.
- Step 6** If prompted to restart Cisco Unity Connection, in the Windows task bar, right-click the **Cisco Unity Connection** icon and click **Restart > Voice Processing Server Role**.
- Step 7** When prompted to confirm stopping the Voice Processing server role, click **Yes**.
- Step 8** Log off Cisco Unity Connection Administration.
-

Appendix: Using Alternate Extensions and MWIs

Alternate Extensions

On the New Phone Number page for a user, you can assign up to nine alternate extensions for the user. (The primary extension is the one that you assign to each user when the user is added to Cisco Unity Connection.)

Reasons to Use Alternate Extensions

There are several reasons that you may want to specify alternate extensions for users. For example, if you have more than one Cisco Unity Connection server that accesses a single, corporate-wide directory, you may want to use alternate extensions to simplify addressing messages to users at the different locations. With alternate extensions, the number that a user enters when addressing a message to someone at another location can be the same number that the user dials when calling. You may also want to use alternate extensions to:

- Handle multiple line appearances on user phones.
- Offer easy message access on direct calls from a cell phone, home phone, or phone at an alternate work site (assuming that the phone number is passed along to Cisco Unity Connection from these other phone systems). In addition, when such phones are used as alternate extensions, and are set to forward to Cisco Unity Connection, callers can listen to the user greeting and leave messages for the user just as they would when dialing the primary extension for the user.
- Enable URL-based extensions in Cisco Unity Connection for an integration with a SIP phone system.

How Alternate Extensions Work

Before you set up alternate extensions, review the following list for information on how alternate extensions work:

- Alternate extensions cannot exceed 30 characters in length. By default, each administrator-defined alternate extension must be at least 3 characters in length, while user-defined alternate extensions must be at least 10 characters.

- Cisco Unity Connection Administration will not accept an extension that is already assigned to another user (either as a primary or alternate extension), or to a public distribution list, call handler, directory handler, or interview handler. Cisco Unity Connection verifies that each alternate extension is unique—up to the dialing domain level, if applicable—before allowing either an administrator or a user to create it.
- All alternate extensions use the same transfer settings as the primary extension.
- In many cases, Cisco Unity Connection can activate a message waiting indicator (MWI) for an alternate extension. However, depending on the phones and phone systems involved, some additional phone system programming may be required to set this up.

Setting Up Alternate Extensions

Do the applicable procedure to add, modify, or delete alternate extensions:

- [To Add Administrator-Defined Alternate Extensions, page 16](#)
- [To Modify Alternate Extensions, page 17](#)
- [To Delete Alternate Extensions, page 17](#)

To Add Administrator-Defined Alternate Extensions

-
- Step 1** In Cisco Unity Connection Administration, click **User**.
- Step 2** On the Search Users page, click the user for whom you want to add an alternate extension.
- Step 3** On the Edit menu, click **Phone Numbers**.
- Step 4** On the Phone Numbers page, click **Add New**.
- Step 5** On the New Phone Number page, enter the following settings.

Table 8 Settings for the New Phone Number Page

Field	Setting
Phone Type	Click the type of phone that will use the extension.
Display Name	Enter a description of the extension.
Phone Number	Enter the extension. When entering characters, consider the following: <ul style="list-style-type: none"> • You can enter an extension up to 30 characters in length. (SIP integrations can use up to 30 alphanumeric characters.) • Each extension must be unique—up to the dialing domain level, if applicable. • Enter digits 0 through 9. Do not use spaces, dashes, or parentheses.

- Step 6** Click **Save**.
- Step 7** Repeat [Step 3](#) through [Step 6](#) as necessary.
-

To Modify Alternate Extensions

- Step 1** In Cisco Unity Connection Administration, click **User**.
 - Step 2** On the Search Users page, click the user for whom you want to modify an alternate extension.
 - Step 3** On the Edit menu, click **Phone Numbers**.
 - Step 4** On the Phone Numbers page, click the alternate extension that you want to change.
 - Step 5** On the Phone Number page, in the Phone Number field, change the extension and click **Save**.
 - Step 6** Repeat [Step 3](#) through [Step 5](#) as necessary.
-

To Delete Alternate Extensions

- Step 1** In Cisco Unity Connection Administration, click **User**.
 - Step 2** On the Search Users page, click the user for whom you want to delete an alternate extension.
 - Step 3** On the Edit menu, click **Phone Numbers**.
 - Step 4** On the Phone Numbers page, check the check box next to the extensions that you want to delete.
 - Step 5** Click **Delete Selected**.
-

Alternate MWIs

You can set up Cisco Unity Connection to activate alternate MWIs when you want a new message for a user to activate the MWIs at up to 10 extensions. For example, a message left at extension 1001 can activate the MWIs on extensions 1001 and 1002.

Cisco Unity Connection uses MWIs to alert the user to new voice messages. MWIs are not used to indicate new e-mail, fax, or return receipt messages.

Setting Up Alternate MWIs

Cisco Unity Connection can activate alternate MWIs. Note that depending on the phones and phone systems, some additional phone system programming may be necessary. Refer to the installation guide for the phone system.

Do the applicable procedure to add, modify, or delete alternate MWIs:

- [To Add Alternate MWIs for Extensions, page 17](#)
- [To Modify Alternate MWIs, page 18](#)
- [To Delete Alternate MWIs, page 19](#)

To Add Alternate MWIs for Extensions

- Step 1** In Cisco Unity Connection Administration, click **User**.
- Step 2** On the Search Users page, click the user for whom you want to add an alternate MWI.

- Step 3** On the Edit menu, click **Message Waiting Indicators**.
- Step 4** On the Message Waiting Indicators page, click **Add New**.
- Step 5** Enter the following settings.

Table 9 Settings for the New Message Waiting Indicator Page

Field	Setting
Enabled	Check the check box.
Display Name	Enter a description of the MWI.
Extension	Enter the extension for the MWI. When entering characters, consider the following: <ul style="list-style-type: none"> • Enter digits 0 through 9. Do not use spaces, dashes, or parentheses. • Enter , (comma) to insert a one-second pause. • Enter # and * to correspond to the # and * keys on the phone.
Phone System	Click the name of the phone system that the extension is assigned to.
Current Status	<i>(Display only)</i> The indication whether the MWI is currently on or off.

- Step 6** Click **Save**.
- Step 7** Repeat [Step 3](#) through [Step 6](#) as necessary.

To Modify Alternate MWIs

- Step 1** In Cisco Unity Connection Administration, click **User**.
- Step 2** On the Search Users page, click the user for whom you want to change an alternate MWI.
- Step 3** On the Edit menu, click **Message Waiting Indicators**.
- Step 4** On the Message Waiting Indicators page, click the MWI that you want to change.
- Step 5** On the Edit Message Waiting Indicator page, change the applicable settings.

Table 10 Settings for the New Message Waiting Indicator Page

Field	Setting
Enabled	Check or uncheck the check box as applicable.
Display Name	Revise the description of the MWI.
Extension	Revise the extension for the MWI. When entering characters, consider the following: <ul style="list-style-type: none"> • Enter digits 0 through 9. Do not use spaces, dashes, or parentheses. • Enter , (comma) to insert a one-second pause. • Enter # and * to correspond to the # and * keys on the phone.
Phone System	Click the name of the phone system that the extension is assigned to.
Current Status	<i>(Display only)</i> The indication whether the MWI is currently on or off.

- Step 6** Click **Save**.
- Step 7** Repeat [Step 3](#) through [Step 6](#) as necessary.

To Delete Alternate MWIs

- Step 1** In Cisco Unity Connection Administration, click **User**.
- Step 2** On the Search Users page, click the user for whom you want to delete an alternate MWI.
- Step 3** On the Edit menu, click **Message Waiting Indicators**.
- Step 4** On the Message Waiting Indicators page, check the check boxes next to the MWIs that you want to delete.
- Step 5** Click **Delete Selected**.
-

Appendix: Documentation and Technical Assistance

Conventions

The *QSIG/DPNSS Phone System with Cisco EGW 2200 Integration Guide for Cisco Unity Connection 1.1* uses the following conventions.

Table 11 *QSIG/DPNSS Phone System with Cisco EGW 2200 Integration Guide for Cisco Unity Connection 1.1 Conventions*

Convention	Description
boldfaced text	Boldfaced text is used for: <ul style="list-style-type: none"> Key and button names. (Example: Click OK.) Information that you enter. (Example: Enter Administrator in the User Name box.)
< > (angle brackets)	Angle brackets are used around parameters for which you supply a value. (Example: In the Command Prompt window, enter ping <IP address> .)
- (hyphen)	Hyphens separate keys that must be pressed simultaneously. (Example: Press Ctrl-Alt-Delete .)

Table 11 *QSIG/DPNSS Phone System with Cisco EGW 2200 Integration Guide for Cisco Unity Connection 1.1 Conventions (continued)*

Convention	Description
> (right angle bracket)	A right angle bracket is used to separate selections that you make: <ul style="list-style-type: none"> On menus. (Example: On the Windows Start menu, click Settings > Control Panel > Phone and Modem Options.) In the navigation bar of Cisco Unity Connection Administration. (Example: In Cisco Unity Connection Administration, expand System Settings > Advanced.)
[x] (square brackets)	Square brackets enclose an optional element (keyword or argument). (Example: [reg-e164])
[x y] (vertical line)	Square brackets enclosing keywords or arguments separated by a vertical line indicate an optional choice. (Example: [transport tcp transport udp])
{x y} (braces)	Braces enclosing keywords or arguments separated by a vertical line indicate a required choice. (Example: {tcp udp})

The *QSIG/DPNSS Phone System with Cisco EGW 2200 Integration Guide for Cisco Unity Connection 1.1* also uses the following conventions:



Note

Means *reader take note*. Notes contain helpful suggestions or references to material not covered in the document.



Caution

Means *reader be careful*. In this situation, you might do something that could result in equipment damage or loss of data.

For descriptions and URLs of Cisco Unity Connection documentation on Cisco.com, see the *About Cisco Unity Connection Documentation*. The document is shipped with Cisco Unity Connection and is available at

http://www.cisco.com/en/US/products/ps6509/products_documentation_roadmaps_list.html.

Obtaining Documentation

Cisco documentation and additional literature are available on Cisco.com. Cisco also provides several ways to obtain technical assistance and other technical resources. These sections explain how to obtain technical information from Cisco Systems.

Cisco.com

You can access the most current Cisco documentation at this URL:

<http://www.cisco.com/techsupport>

You can access the Cisco website at this URL:

<http://www.cisco.com>

You can access international Cisco websites at this URL:

http://www.cisco.com/public/countries_languages.shtml

Product Documentation DVD

Cisco documentation and additional literature are available in the Product Documentation DVD package, which may have shipped with your product. The Product Documentation DVD is updated regularly and may be more current than printed documentation.

The Product Documentation DVD is a comprehensive library of technical product documentation on portable media. The DVD enables you to access multiple versions of hardware and software installation, configuration, and command guides for Cisco products and to view technical documentation in HTML. With the DVD, you have access to the same documentation that is found on the Cisco website without being connected to the Internet. Certain products also have .pdf versions of the documentation available.

The Product Documentation DVD is available as a single unit or as a subscription. Registered Cisco.com users (Cisco direct customers) can order a Product Documentation DVD (product number DOC-DOCDVD=) from Cisco Marketplace at this URL:

<http://www.cisco.com/go/marketplace/>

Ordering Documentation

Beginning June 30, 2005, registered Cisco.com users may order Cisco documentation at the Product Documentation Store in the Cisco Marketplace at this URL:

<http://www.cisco.com/go/marketplace/>

Nonregistered Cisco.com users can order technical documentation from 8:00 a.m. to 5:00 p.m. (0800 to 1700) PDT by calling 1 866 463-3487 in the United States and Canada, or elsewhere by calling 011 408 519-5055. You can also order documentation by e-mail at tech-doc-store-mkpl@external.cisco.com or by fax at 1 408 519-5001 in the United States and Canada, or elsewhere at 011 408 519-5001.

Documentation Feedback

You can rate and provide feedback about Cisco technical documents by completing the online feedback form that appears with the technical documents on Cisco.com.

You can send comments about Cisco documentation to bug-doc@cisco.com.

You can submit comments by using the response card (if present) behind the front cover of your document or by writing to the following address:

Cisco Systems
Attn: Customer Document Ordering
170 West Tasman Drive
San Jose, CA 95134-9883

We appreciate your comments.

Cisco Product Security Overview

Cisco provides a free online Security Vulnerability Policy portal at this URL:

http://www.cisco.com/en/US/products/products_security_vulnerability_policy.html

From this site, you can perform these tasks:

- Report security vulnerabilities in Cisco products.
- Obtain assistance with security incidents that involve Cisco products.
- Register to receive security information from Cisco.

A current list of security advisories and notices for Cisco products is available at this URL:

<http://www.cisco.com/go/psirt>

If you prefer to see advisories and notices as they are updated in real time, you can access a Product Security Incident Response Team Really Simple Syndication (PSIRT RSS) feed from this URL:

http://www.cisco.com/en/US/products/products_psirt_rss_feed.html

Reporting Security Problems in Cisco Products

Cisco is committed to delivering secure products. We test our products internally before we release them, and we strive to correct all vulnerabilities quickly. If you think that you might have identified a vulnerability in a Cisco product, contact PSIRT:

- Emergencies—security-alert@cisco.com

An emergency is either a condition in which a system is under active attack or a condition for which a severe and urgent security vulnerability should be reported. All other conditions are considered nonemergencies.

- Nonemergencies—psirt@cisco.com

In an emergency, you can also reach PSIRT by telephone:

- 1 877 228-7302
- 1 408 525-6532



Tip

We encourage you to use Pretty Good Privacy (PGP) or a compatible product to encrypt any sensitive information that you send to Cisco. PSIRT can work from encrypted information that is compatible with PGP versions 2.x through 8.x.

Never use a revoked or an expired encryption key. The correct public key to use in your correspondence with PSIRT is the one linked in the Contact Summary section of the Security Vulnerability Policy page at this URL:

http://www.cisco.com/en/US/products/products_security_vulnerability_policy.html

The link on this page has the current PGP key ID in use.

Obtaining Technical Assistance

Cisco Technical Support provides 24-hour-a-day award-winning technical assistance. The Cisco Technical Support & Documentation website on Cisco.com features extensive online support resources. In addition, if you have a valid Cisco service contract, Cisco Technical Assistance Center (TAC) engineers provide telephone support. If you do not have a valid Cisco service contract, contact your reseller.

Cisco Technical Support & Documentation Website

The Cisco Technical Support & Documentation website provides online documents and tools for troubleshooting and resolving technical issues with Cisco products and technologies. The website is available 24 hours a day, at this URL:

<http://www.cisco.com/techsupport>

Access to all tools on the Cisco Technical Support & Documentation website requires a Cisco.com user ID and password. If you have a valid service contract but do not have a user ID or password, you can register at this URL:

<http://tools.cisco.com/RPF/register/register.do>



Note

Use the Cisco Product Identification (CPI) tool to locate your product serial number before submitting a web or phone request for service. You can access the CPI tool from the Cisco Technical Support & Documentation website by clicking the **Tools & Resources** link under Documentation & Tools. Choose **Cisco Product Identification Tool** from the Alphabetical Index drop-down list, or click the **Cisco Product Identification Tool** link under Alerts & RMAs. The CPI tool offers three search options: by product ID or model name; by tree view; or for certain products, by copying and pasting **show** command output. Search results show an illustration of your product with the serial number label location highlighted. Locate the serial number label on your product and record the information before placing a service call.

Submitting a Service Request

Using the online TAC Service Request Tool is the fastest way to open S3 and S4 service requests. (S3 and S4 service requests are those in which your network is minimally impaired or for which you require product information.) After you describe your situation, the TAC Service Request Tool provides recommended solutions. If your issue is not resolved using the recommended resources, your service request is assigned to a Cisco engineer. The TAC Service Request Tool is located at this URL:

<http://www.cisco.com/techsupport/servicerequest>

For S1 or S2 service requests or if you do not have Internet access, contact the Cisco TAC by telephone. (S1 or S2 service requests are those in which your production network is down or severely degraded.) Cisco engineers are assigned immediately to S1 and S2 service requests to help keep your business operations running smoothly.

To open a service request by telephone, use one of the following numbers:

Asia-Pacific: +61 2 8446 7411 (Australia: 1 800 805 227)

EMEA: +32 2 704 55 55

USA: 1 800 553-2447

For a complete list of Cisco TAC contacts, go to this URL:

<http://www.cisco.com/techsupport/contacts>

Definitions of Service Request Severity

To ensure that all service requests are reported in a standard format, Cisco has established severity definitions.

Severity 1 (S1)—Your network is “down,” or there is a critical impact to your business operations. You and Cisco will commit all necessary resources around the clock to resolve the situation.

Severity 2 (S2)—Operation of an existing network is severely degraded, or significant aspects of your business operation are negatively affected by inadequate performance of Cisco products. You and Cisco will commit full-time resources during normal business hours to resolve the situation.

Severity 3 (S3)—Operational performance of your network is impaired, but most business operations remain functional. You and Cisco will commit resources during normal business hours to restore service to satisfactory levels.

Severity 4 (S4)—You require information or assistance with Cisco product capabilities, installation, or configuration. There is little or no effect on your business operations.

Obtaining Additional Publications and Information

Information about Cisco products, technologies, and network solutions is available from various online and printed sources.

- Cisco Marketplace provides a variety of Cisco books, reference guides, documentation, and logo merchandise. Visit Cisco Marketplace, the company store, at this URL:
<http://www.cisco.com/go/marketplace/>
- *Cisco Press* publishes a wide range of general networking, training and certification titles. Both new and experienced users will benefit from these publications. For current Cisco Press titles and other information, go to Cisco Press at this URL:

<http://www.ciscopress.com>

- *Packet* magazine is the Cisco Systems technical user magazine for maximizing Internet and networking investments. Each quarter, Packet delivers coverage of the latest industry trends, technology breakthroughs, and Cisco products and solutions, as well as network deployment and troubleshooting tips, configuration examples, customer case studies, certification and training information, and links to scores of in-depth online resources. You can access Packet magazine at this URL:
<http://www.cisco.com/packet>
- *iQ Magazine* is the quarterly publication from Cisco Systems designed to help growing companies learn how they can use technology to increase revenue, streamline their business, and expand services. The publication identifies the challenges facing these companies and the technologies to help solve them, using real-world case studies and business strategies to help readers make sound technology investment decisions. You can access iQ Magazine at this URL:

<http://www.cisco.com/go/iqmagazine>

or view the digital edition at this URL:

<http://ciscoiq.texterity.com/ciscoiq/sample/>

- *Internet Protocol Journal* is a quarterly journal published by Cisco Systems for engineering professionals involved in designing, developing, and operating public and private internets and intranets. You can access the Internet Protocol Journal at this URL:
<http://www.cisco.com/ipj>
- Networking products offered by Cisco Systems, as well as customer support services, can be obtained at this URL:
<http://www.cisco.com/en/US/products/index.html>
- Networking Professionals Connection is an interactive website for networking professionals to share questions, suggestions, and information about networking products and technologies with Cisco experts and other networking professionals. Join a discussion at this URL:
<http://www.cisco.com/discuss/networking>
- World-class networking training is available from Cisco. You can view current offerings at this URL:
<http://www.cisco.com/en/US/learning/index.html>

service mark of Cisco Systems, Inc.; and Access Registrar, Aironet, BPX, Catalyst, CCDA, CCDP, CCIE, CCIP, CCNA, CCNP, CCSP, Cisco, the Cisco Certified Internetwork Expert logo, Cisco IOS, Cisco Press, Cisco Systems, Cisco Systems Capital, the Cisco Systems logo, Cisco Unity, Enterprise/Solver, EtherChannel, EtherFast, EtherSwitch, Fast Step, Follow Me Browsing, FormShare, GigaDrive, HomeLink, Internet Quotient, IOS, iPhone, IP/TV, iQ Expertise, the iQ logo, iQ Net Readiness Scorecard, iQuick Study, LightStream, Linksys, MeetingPlace, MGX, Networking Academy, Network Registrar, *Packet*, PIX, ProConnect, ScriptShare, SMARTnet, StackWise, The Fastest Way to Increase Your Internet Quotient, and TransPath are registered trademarks of Cisco Systems, Inc. and/or its affiliates in the United States and certain other countries.

All other trademarks mentioned in this document or Website are the property of their respective owners. The use of the word partner does not imply a partnership relationship between Cisco and any other company. (0705R)

© 2005 Cisco Systems, Inc. All rights reserved.

Free Manuals Download Website

<http://myh66.com>

<http://usermanuals.us>

<http://www.somanuals.com>

<http://www.4manuals.cc>

<http://www.manual-lib.com>

<http://www.404manual.com>

<http://www.luxmanual.com>

<http://aubethermostatmanual.com>

Golf course search by state

<http://golfingnear.com>

Email search by domain

<http://emailbydomain.com>

Auto manuals search

<http://auto.somanuals.com>

TV manuals search

<http://tv.somanuals.com>