



Cisco CGS 2520 Hardware Installation Guide

First Published: August 2011

Last Updated: January 2014

Part Number: OL-31444-01

Cisco Systems, Inc.

www.cisco.com

Cisco has more than 200 offices worldwide. Addresses, phone numbers, and fax numbers are listed on the Cisco website at www.cisco.com/go/offices.

Text Part Number: OL-31444-01

THE SPECIFICATIONS AND INFORMATION REGARDING THE PRODUCTS IN THIS MANUAL ARE SUBJECT TO CHANGE WITHOUT NOTICE. ALL STATEMENTS, INFORMATION, AND RECOMMENDATIONS IN THIS MANUAL ARE BELIEVED TO BE ACCURATE BUT ARE PRESENTED WITHOUT WARRANTY OF ANY KIND, EXPRESS OR IMPLIED. USERS MUST TAKE FULL RESPONSIBILITY FOR THEIR APPLICATION OF ANY PRODUCTS.

THE SOFTWARE LICENSE AND LIMITED WARRANTY FOR THE ACCOMPANYING PRODUCT ARE SET FORTH IN THE INFORMATION PACKET THAT SHIPPED WITH THE PRODUCT AND ARE INCORPORATED HEREIN BY THIS REFERENCE. IF YOU ARE UNABLE TO LOCATE THE SOFTWARE LICENSE OR LIMITED WARRANTY, CONTACT YOUR CISCO REPRESENTATIVE FOR A COPY.

The following information is for FCC compliance of Class A devices: This equipment has been tested and found to comply with the limits for a Class A digital device, pursuant to part 15 of the FCC rules. These limits are designed to provide reasonable protection against harmful interference when the equipment is operated in a commercial environment. This equipment generates, uses, and can radiate radio-frequency energy and, if not installed and used in accordance with the instruction manual, may cause harmful interference to radio communications. Operation of this equipment in a residential area is likely to cause harmful interference, in which case users will be required to correct the interference at their own expense.

The following information is for FCC compliance of Class B devices: This equipment has been tested and found to comply with the limits for a Class B digital device, pursuant to part 15 of the FCC rules. These limits are designed to provide reasonable protection against harmful interference in a residential installation. This equipment generates, uses and can radiate radio frequency energy and, if not installed and used in accordance with the instructions, may cause harmful interference to radio communications. However, there is no guarantee that interference will not occur in a particular installation. If the equipment causes interference to radio or television reception, which can be determined by turning the equipment off and on, users are encouraged to try to correct the interference by using one or more of the following measures:

- Reorient or relocate the receiving antenna.
- Increase the separation between the equipment and receiver.
- Connect the equipment into an outlet on a circuit different from that to which the receiver is connected.
- Consult the dealer or an experienced radio/TV technician for help.

Modifications to this product not authorized by Cisco could void the FCC approval and negate your authority to operate the product.

The Cisco implementation of TCP header compression is an adaptation of a program developed by the University of California, Berkeley (UCB) as part of UCB's public domain version of the UNIX operating system. All rights reserved. Copyright © 1981, Regents of the University of California.

NOTWITHSTANDING ANY OTHER WARRANTY HEREIN, ALL DOCUMENT FILES AND SOFTWARE OF THESE SUPPLIERS ARE PROVIDED "AS IS" WITH ALL FAULTS. CISCO AND THE ABOVE-NAMED SUPPLIERS DISCLAIM ALL WARRANTIES, EXPRESSED OR IMPLIED, INCLUDING, WITHOUT LIMITATION, THOSE OF MERCHANTABILITY, FITNESS FOR A PARTICULAR PURPOSE AND NONINFRINGEMENT OR ARISING FROM A COURSE OF DEALING, USAGE, OR TRADE PRACTICE.

Cisco and the Cisco logo are trademarks or registered trademarks of Cisco and/or its affiliates in the U.S. and other countries. To view a list of Cisco trademarks, go to this URL: www.cisco.com/go/trademarks. Third-party trademarks mentioned are the property of their respective owners. The use of the word partner does not imply a partnership relationship between Cisco and any other company. (1110R)

No combinations are authorized or intended under this document.

Any Internet Protocol (IP) addresses used in this document are not intended to be actual addresses. Any examples, command display output, and figures included in the document are shown for illustrative purposes only. Any use of actual IP addresses in illustrative content is unintentional and coincidental.

© 2011–2014 Cisco Systems, Inc. All rights reserved.



Preface vii

Related Publications i-viii

Obtaining Documentation and Submitting a Service Request i-viii

CHAPTER 1

Product Overview 1-1

Switch Models 1-2

Cable Side 1-2

Ports 1-3

 10/100BASE-T Ports 1-4

 PoE and PoE+ Ports 1-4

 Dual-Purpose Gigabit Ethernet Ports 1-5

 SFP Modules 1-5

 SFP Module Patch Cable 1-6

 Power-Input Terminal 1-7

 Alarm Ports 1-7

 Alarm Input 1-7

 Alarm Output 1-7

 Management Ports 1-8

LEDs 1-8

 Switch Panel LEDs 1-9

 System LED 1-9

 Power Supply Module LEDs 1-10

 Alarm LEDs 1-10

 Console LEDs 1-10

 Port LEDs 1-11

 PoE LED 1-11

 Dual-Purpose Port LEDs 1-12

 SD Flash Memory Card LED 1-12

SD Flash Memory Card 1-12

Power Supply Side 1-12

 Power Supply-Side LEDs 1-14

 Power Supply Features 1-14

Management Options 1-15

 Network Configurations 1-16

CHAPTER 2

Switch Installation 2-1

- Warnings 2-1
- Installation Guidelines 2-3
- Verifying Switch Operation 2-3
- Installing the Switch 2-4
 - Mounting into a Rack 2-4
 - Mounting Brackets 2-4
 - Attaching Brackets for 19-Inch Racks 2-5
 - Attaching Brackets for 19-Inch Racks (IP-30 Compliance) 2-7
 - Attaching Brackets for 23-Inch Racks 2-12
 - Attaching Brackets for ETSI Racks 2-13
 - Mounting the Switch into a Rack 2-15
 - Wall-Mounting 2-16
 - Attaching Brackets for Wall Mounting 2-16
 - Wall-Mounting (for IP-30 Compliance) 2-17
- Installing and Removing SFP Modules 2-19
 - Installing SFP Modules 2-19
 - Removing SFP Modules 2-20
- Inserting and Removing the SFP Module Patch Cable 2-21
 - Removing the SFP Module Patch Cable 2-22
- Replacing the SD Flash Memory Card 2-22
- Connecting Devices to the Ethernet Ports 2-24
 - Connecting to the 10/100 and 10/100/1000 Ports 2-25
 - Connecting to the 10/100 PoE+ Ports 2-25
- Where to Go Next 2-26

CHAPTER 3

Power Supply Installation 3-1

- Power Supply Modules 3-1
- Power Supply Module Installation 3-2
 - Installation Guidelines 3-3
 - Installing a Power Supply Module 3-3
 - Equipment That You Need 3-3
 - Grounding the Switch 3-4
 - Installing the Power Supply Module in the Switch 3-6
 - Wiring the Power Source 3-7
- Removing the Power Supply Module 3-11

CHAPTER 4**Troubleshooting 4-1**

- Diagnosing Problems 4-1
 - Switch POST Results 4-1
 - Switch LEDs 4-1
 - Switch Connections 4-2
 - Bad or Damaged Cable 4-2
 - Ethernet and Fiber-Optic Cables 4-2
 - Link Status 4-2
 - 10/100 and 10/100/1000 Port Connections 4-3
 - 10/100 PoE+ Port Connections 4-3
 - SFP Module 4-3
 - Interface Settings 4-4
 - Ping End Device 4-4
 - Spanning Tree Loops 4-4
 - Switch Performance 4-4
 - Speed, Duplex, and Auto-Negotiation 4-4
 - Auto-Negotiation and Network Interface Cards 4-5
 - Cabling Distance 4-5
- Resetting the Switch to the Factory Default Settings 4-6
- Finding the Switch Serial Number 4-6

APPENDIX A**Technical Specifications A-1**

- Switch Specifications A-1
- Power Supply Module Specifications A-4

APPENDIX B**Connector and Cable Specifications B-1**

- Connector Specifications B-1
 - 10/100 Ethernet Ports B-1
 - SFP Module Connectors B-2
 - Dual-Purpose Ports B-3
 - Alarm Port B-3
 - Alarm Ratings B-3
- Cables and Adapters B-4
 - SFP Module Cables B-4
 - Cable Pinouts B-6
 - Console Port Adapter Pinouts B-8

APPENDIX C

Configuring the Switch with the CLI Setup Program C-1

- Accessing the CLI Through the Console Port **C-1**
 - RJ-45 Console Port **C-1**
 - USB Console Port **C-3**
 - Installing the Cisco Microsoft Windows USB Device Drivers **C-4**
 - Installing the Cisco Microsoft Windows XP USB Driver **C-4**
 - Installing the Cisco Microsoft Windows 2000 USB Driver **C-4**
 - Installing the Cisco Microsoft Windows Vista USB Driver **C-5**
 - Uninstalling the Cisco Microsoft Windows USB Drivers **C-5**
 - Uninstalling the Cisco Microsoft Windows XP and 2000 USB Driver **C-5**
 - Uninstalling the Cisco Microsoft Windows Vista USB Driver **C-6**
- Entering the Initial Configuration Information **C-6**
 - IP Settings **C-6**
 - Completing the Setup Program **C-7**



Preface

This guide describes the hardware features of the Cisco Connected Grid Switch (CGS) 2520. It describes the physical and performance characteristics of the switch, explains how to install it, and provides troubleshooting information.

This guide does not describe system messages that you might receive or how to configure your switch. See the switch software configuration guide, the switch command reference, and the switch system message guide on Cisco.com: http://www.cisco.com/go/cgs2520_docs



Note

Means *reader take note*. Notes contain helpful suggestions or references to materials not contained in this manual.



Caution

Means *reader be careful*. In this situation, you might do something that could result in equipment damage or loss of data.



Warning

IMPORTANT SAFETY INSTRUCTIONS

This warning symbol means danger. You are in a situation that could cause bodily injury. Before you work on any equipment, be aware of the hazards involved with electrical circuitry and be familiar with standard practices for preventing accidents. Use the statement number provided at the end of each warning to locate its translation in the translated safety warnings that accompanied this device. Statement 1071

SAVE THESE INSTRUCTIONS

The safety warnings for this product are translated into several languages in the *Regulatory Compliance and Safety Information for the Cisco CGS 2520* that ships with the product on the documentation CD. The EMC regulatory statements are also included in that guide.

Related Publications

http://www.cisco.com/go/cgs2520_docs



Note Before installing, configuring, or upgrading the switch, see the release notes on Cisco.com for the latest information.

- *Release Notes for the Cisco CGS 2520*
- *Cisco CGS 2520 Getting Started Guide*
- *Regulatory Compliance and Safety Information for the Cisco CGS 2520*
- *Cisco CGS 2520 Software Configuration Guide*
- *Cisco CGS 2520 Command Reference*
- *Cisco CGS 2520 System Message Guide*
- *Installation Notes for the Power Supply Modules for the Cisco CGS 2520*

Cisco SFP documents:

http://www.cisco.com/en/US/products/hw/modules/ps5455/prod_installation_guides_list.html

SFP compatibility matrix documents:

http://www.cisco.com/en/US/products/hw/modules/ps5455/products_device_support_tables_list.html

Obtaining Documentation and Submitting a Service Request

For information on obtaining documentation, submitting a service request, and gathering additional information, see the monthly *What's New in Cisco Product Documentation*, which also lists all new and revised Cisco technical documentation, at:

<http://www.cisco.com/en/US/docs/general/whatsnew/whatsnew.html>

Subscribe to the *What's New in Cisco Product Documentation* as a Really Simple Syndication (RSS) feed and set content to be delivered directly to your desktop using a reader application. The RSS feeds are a free service and Cisco currently supports RSS version 2.0.



Product Overview

The Cisco CGS 2520 switches, also referred to as the *switch*, are Ethernet switches that you can connect devices such as Intelligent Electronic Devices (IEDs), distributed controllers, substation routers, Cisco IP Phones, Cisco Wireless Access Points, and other network devices such as redundant substation switches.

This chapter contains the following topics:

- [Switch Models, page 1-2](#)
- [Cable Side, page 1-2](#)
- [Ports, page 1-3](#)
- [LEDs, page 1-8](#)
- [SD Flash Memory Card, page 1-12](#)
- [Power Supply Side, page 1-12](#)
- [Management Options, page 1-15](#)

Switch Models


Note

The information in this document regarding China switches (part numbers ending with -C, for example, PWR-RGD-AC-DC-C) are identical to the non-China switches, except where specified.

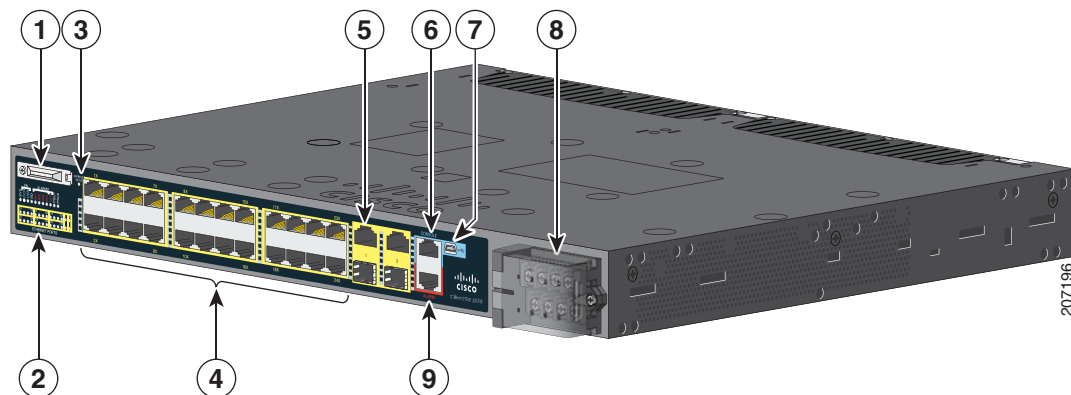
Table 1-1 Switch Models

Model	Description
Cisco CGS-2520-24TC	24 10/100BASE-T ports, 2 dual-purpose Gigabit Ethernet ports (2 10/100/1000BASE-T ports and 2 SFP ¹ module slots), and 2 AC and DC power supply module slots.
Cisco CGS-2520-24TC-C	(For China) 24 10/100BASE-T ports, 2 dual-purpose Gigabit Ethernet ports (2 10/100/1000BASE-T ports and 2 SFP module slots), and 2 AC and DC power supply module slots.
Cisco CGS-2520-16S-8PC	16 100 Mb/s SFP module slots; 8 10/100BASE-T PoE ² ports, 2 dual-purpose Gigabit Ethernet ports (2 10/100/1000BASE-T ports and 2 SFP module slots), and 2 AC and DC power supply module slots.
Cisco CGS-2520-16S-8PC-C	(For China) 16 100 Mb/s SFP module slots; 8 10/100BASE-T PoE ports, 2 dual-purpose Gigabit Ethernet ports (2 10/100/1000BASE-T ports and 2 SFP module slots), and 2 AC and DC power supply module slots.

1. SFP = small form-factor pluggable.
2. PoE = Power over Ethernet plus (provides up to 30 W per port)..

Cable Side

The 10/100BASE-T ports in [Figure 1-1](#) are grouped in pairs. The first member of the pair (port 1) is above the second member (port 2) on the left. Port 3 is above port 4, and so on. The dual-purpose ports are numbered 1 and 2.

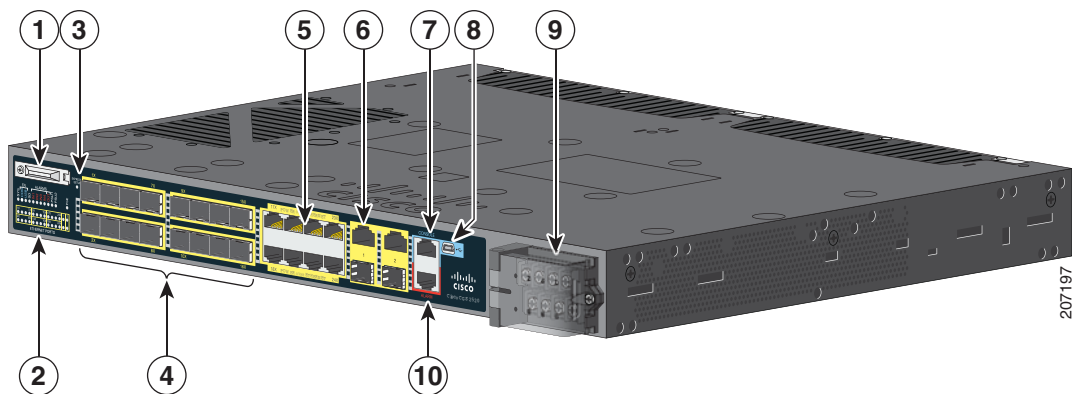
Figure 1-1 Cisco CGS-2520-24TC Cable-Side View


1	SD ¹ flash memory card slot	6	RJ-45 console port
2	LEDs	7	USB (mini-Type B) console port
3	Express Setup button	8	Power-input terminal
4	10/100BASE-T ports	9	Alarm port
5	Dual purpose ports		

1. SD = Secure Digital

The 100 Mb/s SFP ports and the 10/100BASE-T PoE+ ports are grouped in pairs. The first member of the pair (port 1) is above the second member (port 2) on the left. Port 3 is above port 4, and so on. The dual-purpose ports are numbered 1 and 2.

Figure 1-2 Cisco CGS-2520-16S-8PC Cable-Side View



1	SD flash memory card slot	6	Dual purpose ports
2	LEDs	7	RJ-45 console port
3	Express Setup button	8	USB (mini-Type B) console port
4	100 Mb/s SFP ports	9	Power-input terminal
5	10/100BASE-T PoE+ ports	10	Alarm port

Ports

- [10/100BASE-T Ports, page 1-4](#)
- [PoE and PoE+ Ports, page 1-4](#)
- [Dual-Purpose Gigabit Ethernet Ports, page 1-5](#)
- [Power-Input Terminal, page 1-7](#)
- [Alarm Ports, page 1-7](#)
- [Management Ports, page 1-8](#)

10/100BASE-T Ports

You can set the 10/100BASE-T ports on the switch to operate in any combination of half duplex, full duplex, or 10 or 100 Mb/s. You can set the ports for speed and duplex auto-negotiation. The default setting is auto-negotiate.

When set for auto-negotiation, the switch determines the speed and duplex settings of the attached device, and advertises its own capabilities. If the connected device also supports auto-negotiation, the switch negotiates the best connection (the fastest line speed that both devices support and full-duplex transmission if the attached device supports it), and configures itself accordingly. In all cases, the attached device must be within 328 feet (100 meters).

The 10/100BASE-T ports use RJ-45 connectors with Ethernet pinouts. The maximum cable length is 328 feet (100 meters). The 100BASE-T traffic requires Category 5, Category 5e, or Category 6 unshielded twisted pair (UTP) cable. The 10BASE-T traffic can use Category 3 or Category 4 UTP cable.

PoE and PoE+ Ports



Warning

Voltages that present a shock hazard may exist on Power over Ethernet (PoE) circuits if interconnections are made using uninsulated exposed metal contacts, conductors, or terminals. Avoid using such interconnection methods, unless the exposed metal parts are located within a restricted access location and users and service people who are authorized within the restricted access location are made aware of the hazard. A restricted access area can be accessed only through the use of a special tool, lock and key or other means of security. Statement 1072

The 10/100BASE-T PoE+ ports on the Cisco CGS-2520-16S-8PC and Cisco CGS-2520-16S-8PC-C models provide:

- Support for IEEE 802.3af-compliant powered devices (up to 15.4 W PoE per port) and support for IEEE 802.3at-compliant powered devices (up to 30 W PoE+ per port).
- Support for prestandard Cisco powered devices.
- Configurable support for Cisco intelligent power management, including:
 - enhanced power negotiation
 - power reservation
 - per-port power policing

Each power supply module can support an equivalent PoE load of two PoE+ ports or four PoE ports. When both power supply modules are installed, the system has enough power to support four PoE+ ports, or eight PoE ports.

If ports are designated as high priority and low priority PoE or PoE+ ports at the command line interface (CLI), and one power supply module fails or is removed, power to the high priority ports is maintained, and power to the low priority ports is dropped. When assigning priority to PoE or PoE+ ports, it is important to assign priorities on the basis of power supply capacity.

For information about configuring and monitoring PoE ports, see the *CGS 2520 Switch Software Configuration Guide* on Cisco.com.

For information about port connections and port specifications, see the [“Connecting Devices to the Ethernet Ports”](#) section on page 2-24 and the [“Connector and Cable Specifications”](#) section on page B-1.

**Note**

The output of the PoE+ circuit has been evaluated as a Limited Power Source (LPS) per IEC 60950-1.

Dual-Purpose Gigabit Ethernet Ports

You can configure the dual-purpose ports on the switch as either 10/100/1000 ports or as SFP module ports. You can set the 10/100/1000 ports to autonegotiate, or you can configure them as fixed 10, 100, or 1000 Mb/s (Gigabit) Ethernet ports.

By default, the switch selects the medium for each dual-purpose port (10/100/1000BASE-T or SFP). When a link is achieved on one media type, the switch disables the other media type until the active link goes down. If links are active on both media, the SFP module port has priority, but you can use the **media-type** interface configuration command to manually designate the port as an RJ-45 port or an SFP port.

You can configure the speed and duplex settings consistent with the selected media type. For information on configuring interfaces, see the *CGS 2520 Switch Software Configuration Guide* on Cisco.com.

For more information on the SFP module ports see:

- [SFP Modules, page 1-5](#)
- [SFP Module Patch Cable, page 1-6](#)

SFP Modules

The switch Ethernet SFP modules provide connections to other devices. These field-replaceable transceiver modules provide the uplink interfaces. The modules have LC connectors for fiber-optic connections or RJ-45 connectors for copper connections. You can use any combination of the supported SFP modules listed in [Table 1-2](#).

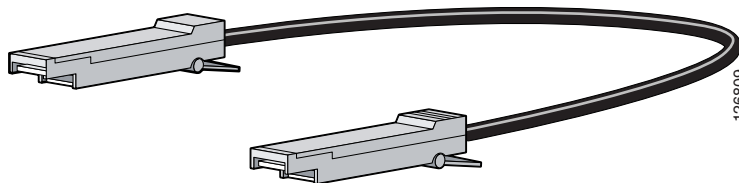
Table 1-2 Maximum Operating Temperature

Type of SFP Module	Model
Rugged and Industrial SFPs –40 to 140°F (–40 to 60°C)	<ul style="list-style-type: none"> • GLC-SX-MM-RGD • GLC-LX-SM-RGD • GLC-FE-100LX-RGD • GLC-FE-100FX-RGD • GLC-ZX-SM-RGD
Commercial SFPs 32 to 113°F (0 to 45°C)	<ul style="list-style-type: none"> • GLC-BX-D with digital optical monitoring (DOM) support • GLC-BX-U with DOM support • GLC-FE-100LX • GLC-FE-100BX-D • GLC-FE-100BX-U • GLC-FE-100FX • GLC-FE-100EX • GLC-FE-100ZX • CWDM SFP with DOM support
Extended temperature SFPs 23 to 140°F (–5 to 60°C)	<ul style="list-style-type: none"> • SFP-GE-L with DOM support • SFP-GE-S with DOM support • SFP-GE-Z with DOM support • GLC-EX-SMD with DOM support

For information about SFP modules, see your SFP module documentation and the [“Installing and Removing SFP Modules”](#) section on page 2-19. For cable specifications, see the [“SFP Module Cables”](#) section on page B-4

SFP Module Patch Cable

The switch uses an SFP module patch cable, a 0.5-meter, copper, passive cable with SFP module connectors at each end (see [Figure 1-3](#)). The patch cable connects two switches in a cascaded configuration.

Figure 1-3 SFP Module Patch Cable

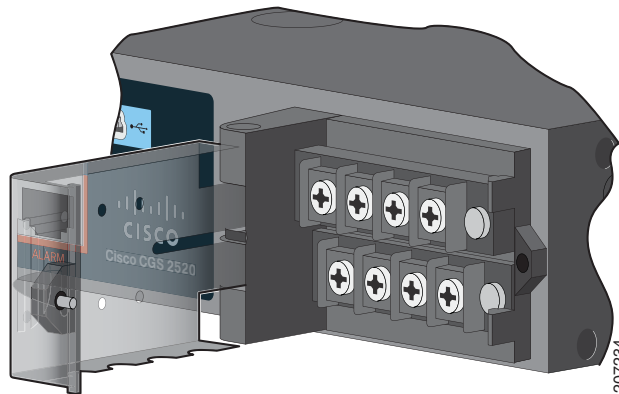
For information about using the SFP module patch cable, see the [“Inserting and Removing the SFP Module Patch Cable”](#) section on page 2-21.

You can order this cable (part number CAB-SFP-50CM=).

Power-Input Terminal

The power-input terminal provides screw terminals for the AC and DC power connections. The switch can operate with one or two power supplies. If one of the power sources fail, the other continues to power the switch. For more information, see the “[Power Supply Installation](#)” section on page 3-1.

Figure 1-4 Power-Input Terminal



Alarm Ports

The switch has four alarm inputs and one alarm output. The alarm setting is open or closed.

- Open means that the normal condition has current flowing through the contact (referred to as a *normally closed* contact). The alarm is generated when the current stops.
- Closed means that no current flows through the contact (referred to as a *normally open* contact). The alarm is generated when the current flows.

This section contains the following alarm port information:

- [Alarm Input](#), page 1-7
- [Alarm Output](#), page 1-7

Alarm Input

The alarm input is a dry-contact alarm port. You can connect up to four alarm inputs from devices, such as a door, a temperature gauge, or a fire alarm, to the alarm port. You can use the CLI to set the alarm severity to minor, major, or critical. An alarm generates a system message and turns on an LED. See the “[Alarm LEDs](#)” section on page 1-10 for the LED descriptions.

Alarm Output

The alarm output can be configured as a minor or major alarm. Output alarms often control an external alarm, such as a bell or a light. To connect an external alarm device to the relay, connect two relay contact wires to complete the electrical circuit. See the “[Alarm Port](#)” section on page B-3 for information on the alarm pinouts.

Management Ports

You can connect the switch to a PC running Microsoft Windows or to a terminal server through either the RJ-45 console port or the USB console port.

- RJ-45 console port. The RJ-45 connection uses an RJ-45-to-DB-9 female cable
- USB mini-Type B console port (5-pin connector); the USB connection uses a USB Type A-to-5-pin mini-Type B cable

The USB console interface speeds are the same as the RJ-45 console interface speeds.

To use the USB console port, you must install the Cisco Windows USB device driver on the device that is connected to the USB console port (device running with Microsoft Windows).

**Note**

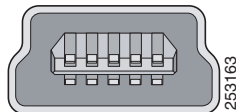
For information about downloading the Cisco USB device driver, see the [“Installing the Cisco Microsoft Windows USB Device Drivers”](#) section on page C-4.

With the Cisco Windows USB device driver, connecting and disconnecting the USB cable from the console port does not affect Windows HyperTerminal operations. Mac OS X or Linux require no special drivers.

**Note**

The 5-pin mini-Type B connectors resemble the 4-pin mini-Type B connectors. They are not compatible. Use only the 5-pin mini-Type B. See [Figure 1-5](#).

Figure 1-5 *USB Mini-Type B Port*



The configurable inactivity timeout reactivates the RJ-45 console port if the USB console port is activated, but no input activity occurs on it for a specified time period. When the USB console port deactivates due to a timeout, you can restore its operation by disconnecting and reconnecting the USB cable. For information on using the CLI to configure the USB console interface, see the switch software guide.

LEDs

You can use the switch system and port LEDs to monitor switch activity and performance.

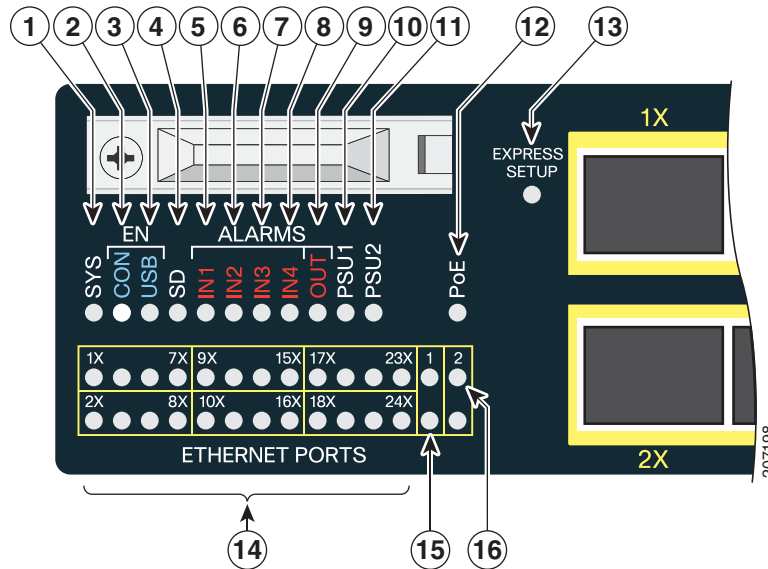
The information in this section includes:

- [Switch Panel LEDs, page 1-9](#)
- [System LED, page 1-9](#)
- [Power Supply Module LEDs, page 1-10](#)
- [Alarm LEDs, page 1-10](#)
- [Console LEDs, page 1-10](#)
- [Port LEDs, page 1-11](#)
- [Dual-Purpose Port LEDs, page 1-12](#)

- SD Flash Memory Card LED, page 1-12
- Power Supply-Side LEDs, page 1-14

Switch Panel LEDs

Figure 1-6 Switch LEDs (Cable Side)



1	SYS (system)	9	OUT (alarm output)
2	CON (console)	10	PSU1 (power supply 1)
3	USB	11	PSU2 (power supply 2)
4	SD (SD flash memory card)	12	PoE ¹
5	IN1 (alarm input 1)	13	Express Setup button
6	IN2 (alarm input 2)	14	Ethernet ports
7	IN3 (alarm input 3)	15	SFP module port
8	IN4 (alarm input 4)	16	10/100/1000 port

1. Only on the Cisco CGS-2520-16S-8PC switch.

System LED

Table 1-3 System LED

Color	System Status
Off	System is not powered on
Blinking green	POST ¹ is in progress
Green	System is operating normally
Amber	System is receiving power but is not functioning properly

1. POST = power-on self-test.

Power Supply Module LEDs

The switch power supply module LEDs are labeled PSU1 and PSU2 (on the switch) and PSU OK (on the power supply module). They show whether power supply modules 1 and 2 are receiving power. See [Figure 1-6](#) and [Figure 1-9](#).

Table 1-4 Power Supply Module LEDs

Color	System Status
Off	Power supply module (1 or 2) is not installed
Green	Valid input is present, and the output is within the operating range
Red	Valid input is present, and the output is outside the operating range or is not present
Blinking red	Valid input is not present

Alarm LEDs

Table 1-5 Alarm Input LEDs

Color	System Status
Off	No alarm
Amber	Minor alarm
Red	Major alarm
Blinking red	Critical alarm

Table 1-6 Alarm Output LED

Color	System Status
Green	No alarm
Red	Relay closed, alarm present

Console LEDs

The console LEDs show which console port is in use. See [Figure 1-6](#) and [Figure 1-9](#) for the LED locations.

If you connect a cable to a console port, the switch automatically uses that port for console communication. If you connect two console cables, the USB console port has priority.

Table 1-7 RJ-45 and USB Console Port LEDs

LED	Color	Description
RJ-45 console port	Green	RJ-45 console port is active.; USB console port LED is off
	Off	Port is not active; USB console port is active
USB console port	Green	USB console port is active; RJ-45 console port LED is off
	Off	Port is not active; RJ-45 console port is active

Port LEDs

RJ-45 ports and SFP module slots have port LEDs. Port LEDs, as a group or individually, provide information about the switch and about the individual ports.

Table 1-8 Meaning of Port LED Colors

LED Color	Meaning
Off	No link or port was administratively shut down
Green	Link present but not sending or receiving data
Blinking green	Activity. Port is sending or receiving data
Alternating green-amber	Link fault. Error frames can affect connectivity, and errors such as excessive collisions, CRC errors, and alignment and jabber errors are monitored for link faults
Amber	Port is blocked by Spanning Tree Protocol (STP) and is not forwarding data. After a port is reconfigured, the port LED is amber for up to 30 seconds as STP searches for loops.

PoE LED

Table 1-9 PoE LED

Color	Meaning
Off	PoE/PoE+ not enabled
Green	PoE/PoE+ enabled and ports are functioning correctly
Alternating green and amber	PoE/PoE+ enabled but power is disconnected or has failed on a low-priority port
Blinking amber	PoE/PoE+ enabled but power is disconnected or has failed on a high-priority port
Amber	PoE/PoE+ enabled and a PoE/PoE+ circuit failure is detected

Dual-Purpose Port LEDs

The dual-purpose port LEDs identify the connection as either a copper-based connector or an SFP module. The ports can autonegotiate, or you can manually configure each dual-purpose port as either 10/100/1000 with copper connectors or as an SFP module port, but not as both types at the same time. See [Table 1-8](#) for LED descriptions.

SD Flash Memory Card LED

Table 1-10 SD Flash Memory Card LED

Color	System Status
Off / blinking green	Transfer in progress
Blinking amber	Not present (slow blinking); unsupported SD flash memory card is detected (fast blinking)
Amber	Error accessing the SD flash memory card; Cisco IOS boot image cannot be found
Green	SD flash memory card is functioning

SD Flash Memory Card

The switch ships with the Secure Digital (SD) flash memory card installed. See [Figure 1-1](#) and [Figure 1-2](#). You can remove the card from a failed switch and install it in a replacement switch. You do not have to reconfigure the new switch. See the “[Replacing the SD Flash Memory Card](#)” section on [page 2-22](#) for information.



Warning

Be aware that the SD card contains sensitive and security relevant information, including but not limited to full device configuration information, public and private keys used for SSH and SSL (if those protocols are enabled), device passwords and others. Access to SD cards for any Cisco CGS switch should be limited to authorized personnel.

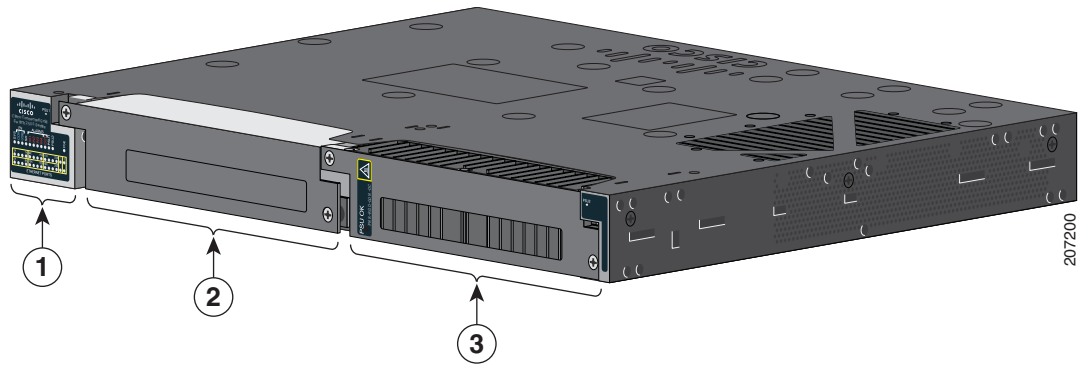
Power Supply Side

The power supply side has the LED panel and two power supply slots for the removable power supplies. See [Figure 1-7](#) and [Figure 1-8](#).

This section has information about:

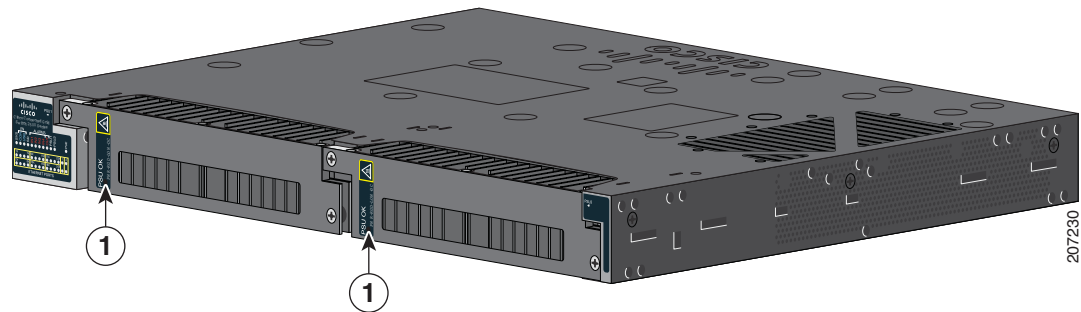
- [Power Supply-Side LEDs, page 1-14](#)
- [Power Supply Features, page 1-14](#)

Figure 1-7 Switch with One Power Supply Module



1	LED panel	Power supply slot 1	3	Power supply slot 2
----------	-----------	---------------------	----------	---------------------

Figure 1-8 Switch with Both Power Supply Modules

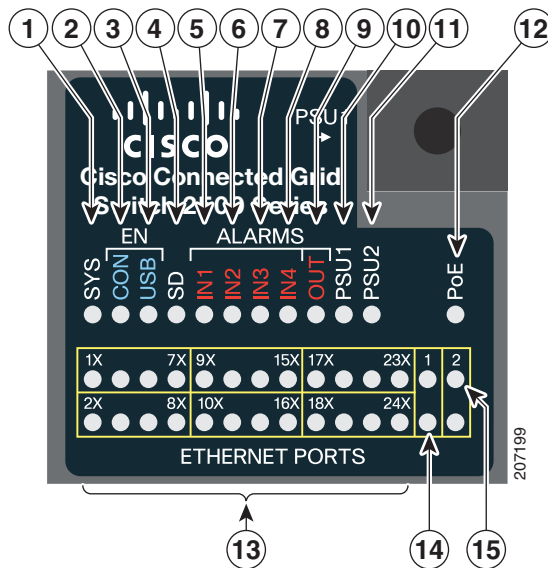


1	PSU OK LED
----------	------------

For a description of the PSU OK LED, see [Table 1-4 on page 1-10](#).

Power Supply-Side LEDs

Figure 1-9 Switch LEDs



1	SYS (system)	9	OUT (alarm output)
2	CON (console)	10	PSU1 (power supply 1)
3	USB LED	11	PSU2 (power supply 2)
4	SD (SD flash memory card)	12	PoE ¹
5	IN1 (alarm input 1)	13	Express setup button
6	IN2 (alarm input 2)	14	Ethernet port
7	IN3 (alarm input 3)	15	10/100/1000 port
8	IN4 (alarm input 4)	16	SFP port

1. Only on the Cisco CGS-2520-16S-8PC switch.

For a description of the LEDs, see [LEDs, page 1-8](#).

Power Supply Features

The switch has two slots for power supply modules:

- PWR-RGD-LOW-DC: low-voltage DC (for voltage information, see [Table A-8](#))
- PWR-RGD-AC-DC: high-voltage AC or DC (for voltage information, see [Table A-7](#))
- PWR-RGD-AC-DC-C: high-voltage AC or DC for China

The switch supports these power supply module combinations:

- Single low-voltage DC
- Single high-voltage AC or DC
- Two high-voltage AC or DC

- Two low-voltage DC
- One high-voltage AC or DC and one low-voltage DC

For information on installing the power supply modules, see the “Power Supply Installation” section on page 3-1

See Table 1-4 for information on the power supply LEDs.

Management Options

- Device manager

You can use the device manager in the switch memory to manage standalone switches. For information, see the switch getting started guide and the device manager online help.

- Cisco IOS CLI

You can configure and monitor the switch from the CLI. Connect your management station to the switch console port or use Telnet from a remote management station. See the switch command reference on Cisco.com for information.

- CiscoWorks application

The CiscoWorks LAN Management Solution (LMS) is a suite of management tools that simplify the configuration, administration, monitoring, and troubleshooting of Cisco networks. See the LMS documentation for information:

http://www.cisco.com/en/US/products/ps7198/tsd_products_support_series_home.html

- CiscoView application

The CiscoView device-management application displays a switch image that you can use to view switch status and performance information and to set configuration parameters. The CiscoView application (sold separately) can be a standalone application or part of a Simple Network Management Protocol (SNMP) platform. For information, see the CiscoView documentation:

http://www.cisco.com/en/US/products/sw/cscowork/ps4565/tsd_products_support_series_home.html

- Cisco Configuration Engine

The Cisco Configuration Engine automates initial configurations and configuration updates. It generates device-specific configuration changes, sends them to the device, executes the configuration changes, and logs the results. For information about Cisco Configuration Engine, see the software configuration guide on Cisco.com.
- SNMP network management

You can manage switches from a Simple Network Management Protocol (SNMP)-compatible management station that is running platforms such as HP OpenView or SunNet Manager. The switch supports a comprehensive set of Management Information Base (MIB) extensions and four Remote Monitoring (RMON) groups. See the switch software configuration guide on Cisco.com and the documentation that came with your SNMP application for information.
- Cisco Configuration Professional

Configuration Professional is a software program that you download from Cisco.com and run on your PC. It offers advanced options for configuring and monitoring multiple devices, including the Cisco CGS 2520 switches. Configuration Professional is available at no cost:

<http://www.cisco.com/en/US/products/ps9422/index.html>

See the Configuration Professional getting started guide and online help for more information.
- Cisco Security Manager

Cisco Security Manager (Security Manager) manages security policies on Cisco security devices. It supports integrated provisioning of firewall, IPS, and VPN (site-to-site, remote access, and SSL) services across devices. For information, see the *User Guide for Cisco Security Manager 3.2.2*.
- Catalyst Smart Operations

The Smart Install feature provides a single point of management (director) in a network. You can use it to provide a zero touch image and configuration upgrade of newly deployed switches and image and configuration downloads for any client switches. For information, see the *Cisco Smart Install Configuration Guide* on Cisco.com.

The Smartports feature provides user-defined and Cisco-default macros for creating custom switch configurations to simplify deployment. For information about configuring Smartports, see the switch software configuration guide on Cisco.com.

Network Configurations

See the *CGS 2520 Switch Software Configuration Guide* on Cisco.com for an explanation of network configuration concepts. The software configuration guide also provides network configuration examples for creating dedicated network segments that are interconnected through Ethernet connections.



Switch Installation

This chapter contains the steps to install the switch. Please read the topics and follow the steps in the following order:

- [Warnings, page 2-1](#)
- [Installation Guidelines, page 2-3](#)
- [Verifying Switch Operation, page 2-3](#)
- [Installing the Switch, page 2-4](#)
- [Installing and Removing SFP Modules, page 2-19](#)
- [Inserting and Removing the SFP Module Patch Cable, page 2-21](#)
- [Replacing the SD Flash Memory Card, page 2-22](#)
- [Connecting Devices to the Ethernet Ports, page 2-24](#)
- [Where to Go Next, page 2-26](#)

Warnings

These warnings are translated into several languages in the *Regulatory Compliance and Safety Information for the Cisco CGS 2520* document that ships on the documentation CD.

These warning statements apply to all the switches:



Warning

Before working on equipment that is connected to power lines, remove jewelry (including rings, necklaces, and watches). Metal objects will heat up when connected to power and ground and can cause serious burns or weld the metal object to the terminals. Statement 43



Warning

Do not work on the system or connect or disconnect cables during periods of lightning activity. Statement 1001



Warning

Read the installation instructions before you connect the system to its power source. Statement 1004

**Warning**

This unit is intended for installation in restricted access areas. A restricted access area can be accessed only through the use of a special tool, lock and key, or other means of security.

Statement 1017

**Warning**

This equipment must be grounded. Never defeat the ground conductor or operate the equipment in the absence of a suitably installed ground conductor. Contact the appropriate electrical inspection authority or an electrician if you are uncertain that suitable grounding is available. Statement 1024

**Warning**

This unit might have more than one power supply connection. All connections must be removed to de-energize the unit. Statement 1028

**Warning**

Only trained and qualified personnel should be allowed to install, replace, or service this equipment.

Statement 1030

**Warning**

Ultimate disposal of this product should be handled according to all national laws and regulations.

Statement 1040

**Warning**

For connections outside the building where the equipment is installed, the following ports must be connected through an approved network termination unit with integral circuit protection.

10/100/1000 Ethernet Statement 1044

**Warning**

To prevent the system from overheating, do not operate it in an area that exceeds the maximum recommended ambient temperature of:

140°F (60°C) Statement 1047

**Warning**

This equipment is supplied as “open type” equipment. It must be mounted within an enclosure that is suitably designed for those specific environmental conditions that will be present and appropriately designed to prevent personal injury resulting from accessibility to live parts. The interior of the enclosure must be accessible only by the use of a tool. The enclosure must meet IP 54 or NEMA type 4 minimum enclosure rating standards. Statement 1063

**Warning**

Installation of the equipment must comply with local and national electrical codes. Statement 1074

**Note**

For U.S. installations, refer to national electrical code ANSI/NFPA 70.

**Warning**

To prevent airflow restriction, allow clearance around the ventilation openings to be at least: 1.75 in. (4.4 cm). Statement 1076

Installation Guidelines

Before installing the switch, verify that these guidelines are met:

- Cabling must be kept away from sources of electrical noise, such as radios, power lines, and fluorescent lighting fixtures. Make sure that the cabling is away from other devices that might damage the cables.
- Operating environment is within the temperature ranges listed in the [“Switch Specifications” section on page A-1](#).
- Relative humidity around the switch does not exceed 95 percent (noncondensing).
- Altitude at the installation site is not higher than 10,000 feet.
- For 10/100 and 10/100/1000 fixed ports, cable lengths from the switch to connected devices are not more than 328 feet (100 meters).
- For cable lengths for small-form-factor pluggable (SFP)-module connections, see the [“SFP Module Cables” section on page B-4](#) and the module documentation.
- Airflow around the switch and through the vents is unrestricted. To prevent overheating, the switch must meet the minimum clearance of 1.75 inches (4.4 cm) at the top and bottom. For clearances needed for wall mounting, see specifications in [“Wall-Mounting” section on page 2-16](#).

**Note**

If the switch is installed in a closed or multirack assembly, take into consideration that the temperature around the switch might be greater than normal room temperature and that special accommodations in clearance must be made.

Verifying Switch Operation

Before installing the switch in a rack or on a wall, you should power on the switch and verify that the switch passes the power-on self-test (POST).

To wire the switch to the power source, see the [“Power Supply Module Installation” section on page 3-2](#).

When the switch begins POST, the System LED blinks green, and the other LEDs stay green. When the switch passes POST, the System LED turns green. The other LEDs turn off and return to their operating status. If the switch fails POST, the System LED is amber.

**Note**

Contact Cisco Systems immediately if your switch fails POST.

After a successful POST, disconnect the power from the switch.

Installing the Switch

The following installation information is covered in this section:

- [Mounting into a Rack, page 2-4](#)
- [Wall-Mounting, page 2-16](#)



Note

After the switch is mounted onto the rack, connect the power source to the switch. For more information, see the “[Power Supply Installation](#)” chapter.

Mounting into a Rack

The following mounting procedures are explained in this section:

- [Mounting Brackets, page 2-4](#)
- [Attaching Brackets for 19-Inch Racks, page 2-5](#)
- [Attaching Brackets for 19-Inch Racks \(IP-30 Compliance\), page 2-7](#)
- [Attaching Brackets for 23-Inch Racks, page 2-12](#)
- [Attaching Brackets for ETSI Racks, page 2-13](#)
- [Mounting the Switch into a Rack, page 2-15](#)



Warning

To prevent bodily injury when mounting or servicing this unit in a rack, you must take special precautions to ensure that the system remains stable. The following guidelines are provided to ensure your safety:

- **This unit should be mounted at the bottom of the rack if it the only rack in the rack**
- **When mounting this unit in a partially filled rack, load the rack from the bottom to the top with the heaviest component at the bottom of the rack**
- **If the rack is provided with stabilizing devices, install the stabilizers before mounting or servicing the unit in the rack.** Statement 1008

Mounting Brackets

[Figure 2-1](#) shows the 19-inch rack mounting brackets.

Figure 2-1 19-inch Mounting Brackets

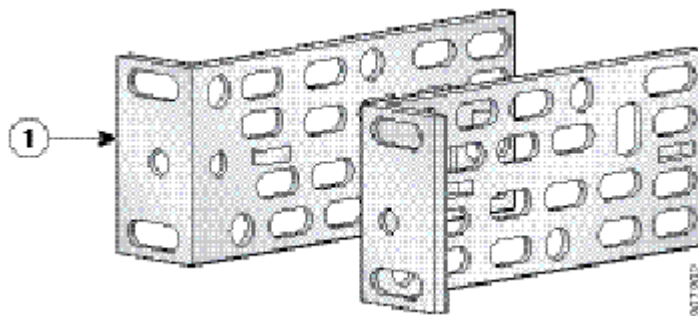


Figure 2-2 shows the 23-inch rack mounting brackets.

Figure 2-2 23-inch Mounting Brackets

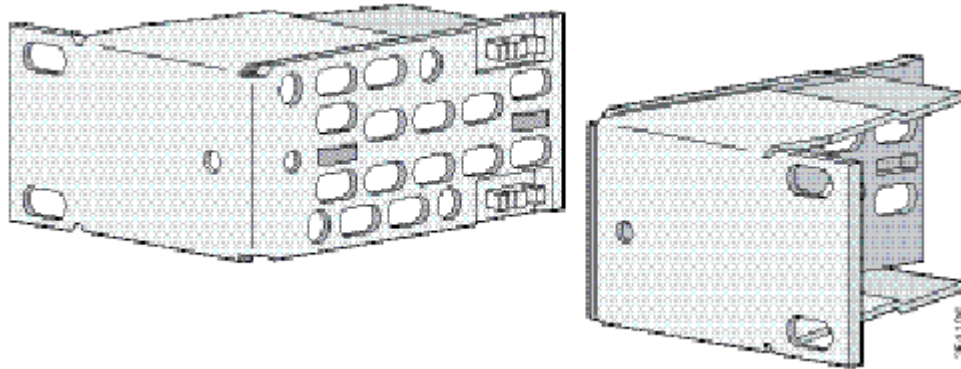
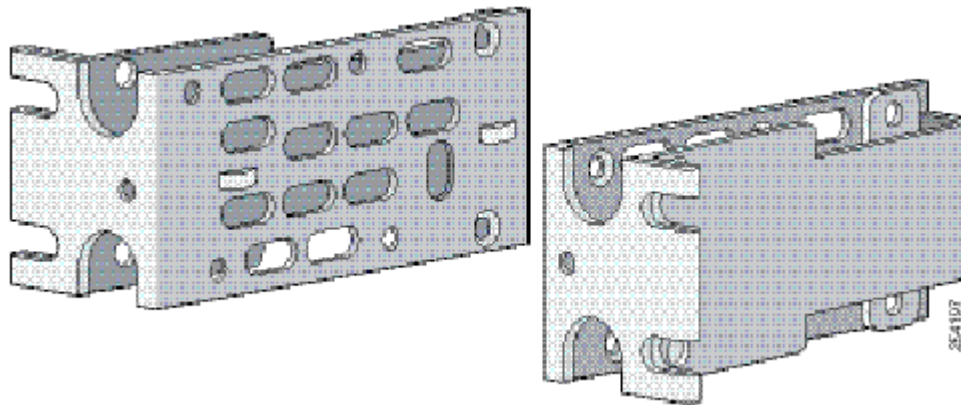


Figure 2-3 shows the ETSI rack mounting brackets.

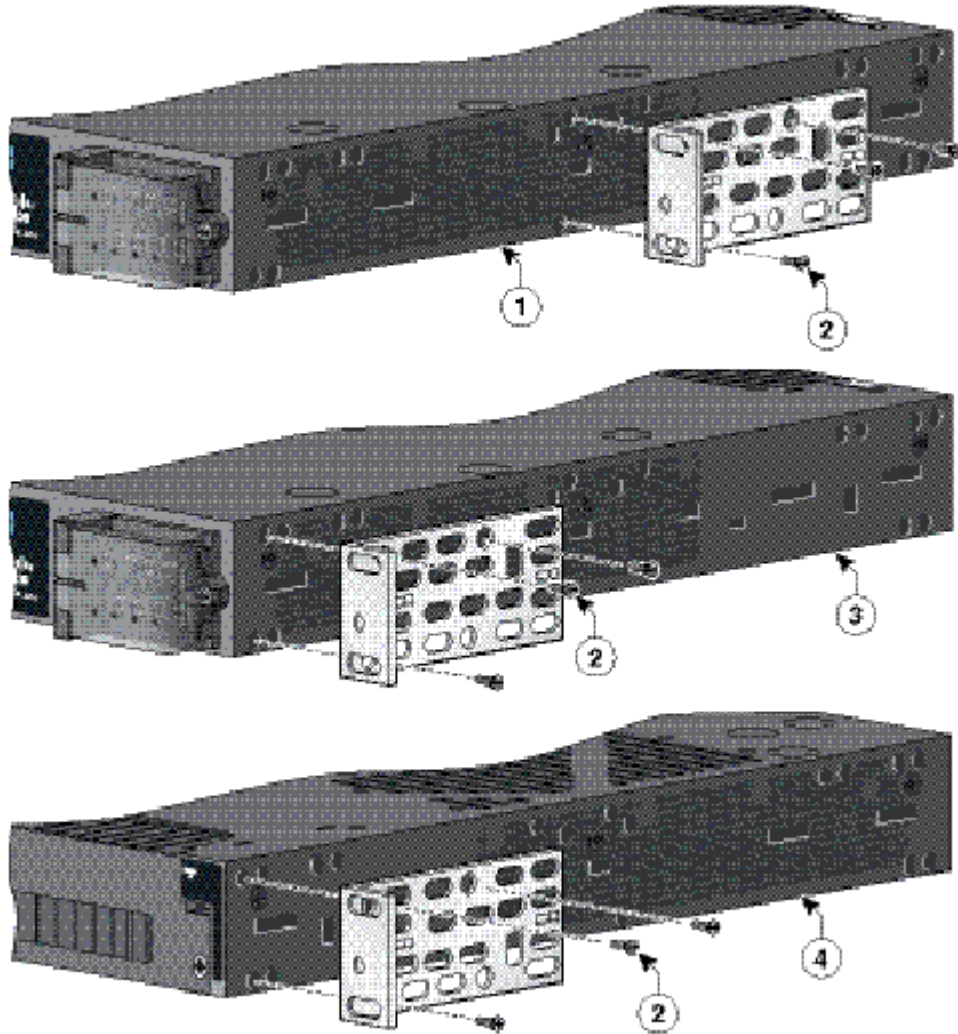
Figure 2-3 ETSI Mounting Brackets



Attaching Brackets for 19-Inch Racks

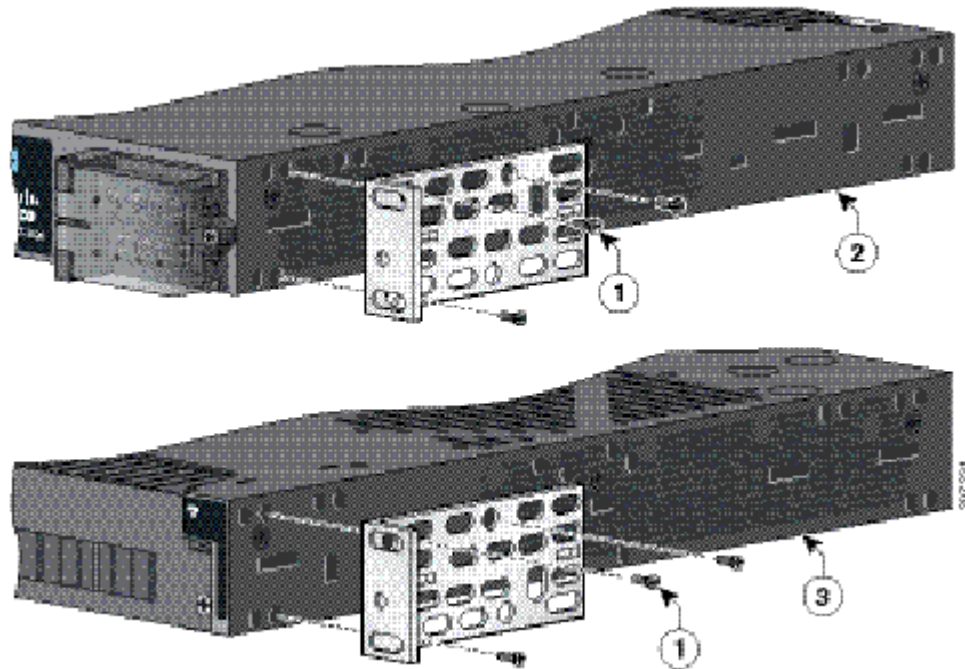
Figure 2-4 and Figure 2-5 shows the 19-inch rack mounting bracket locations on the switch for cable-side mounting and power-side mounting onto an 19-inch rack.

Figure 2-4 Attaching Brackets for 19-Inch Racks



1	Mid-mount position	3	Cable-side mounting position
2	Phillips flat-head screws	4	Power supply-side mounting position

Figure 2-5 Attaching Brackets for 19-Inch Racks



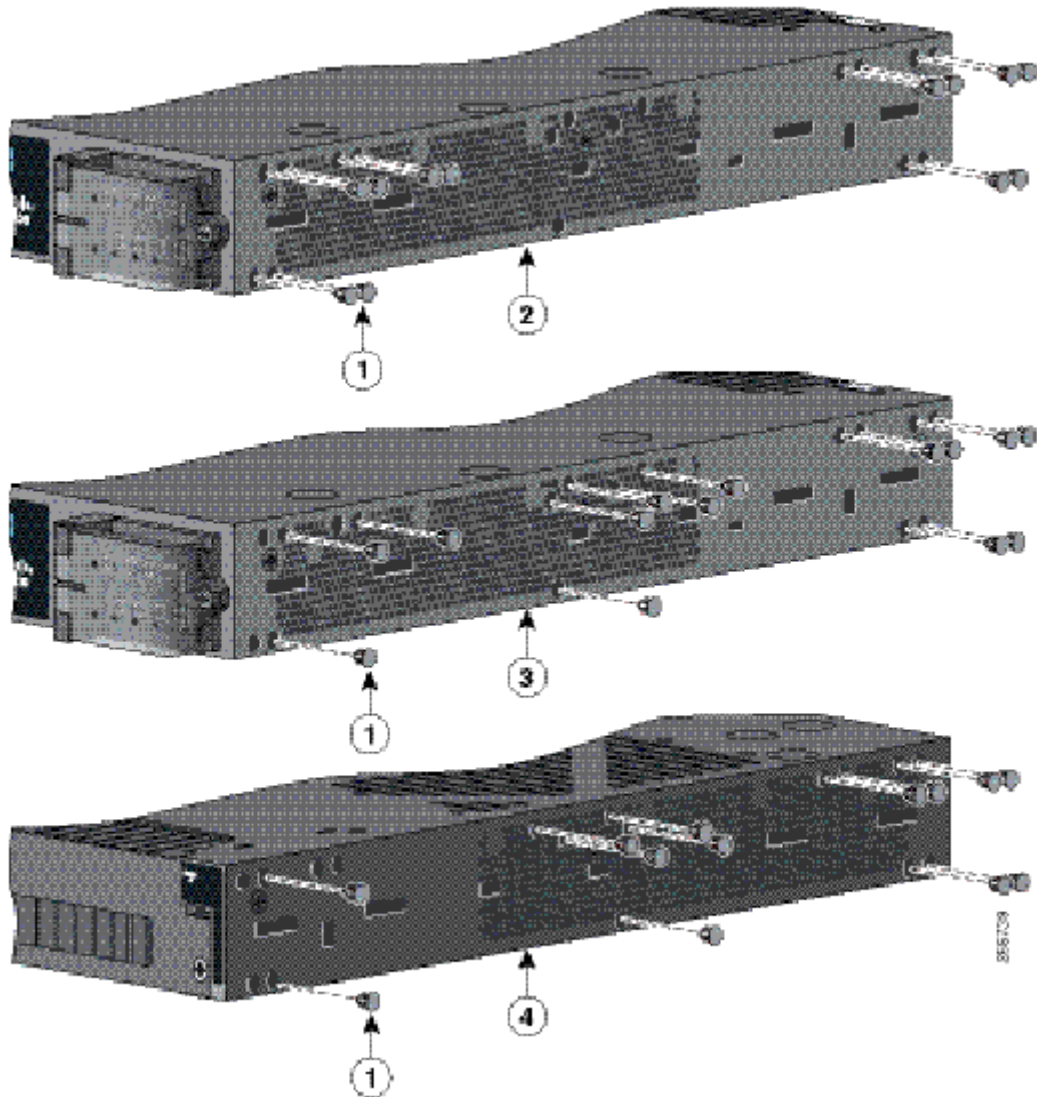
1	Phillips flat-head screws	3	Power supply-side mounting position
2	Cable-side-mounting position		

Attaching Brackets for 19-Inch Racks (IP-30 Compliance)

Before installing the mounting brackets, you need to install the rubber plugs into the unused mounting holes of the switch chassis. You can get the appropriate rubber plugs by ordering kit CGS-2520-IP30KIT. Follow the procedure below to install the rubber plugs.

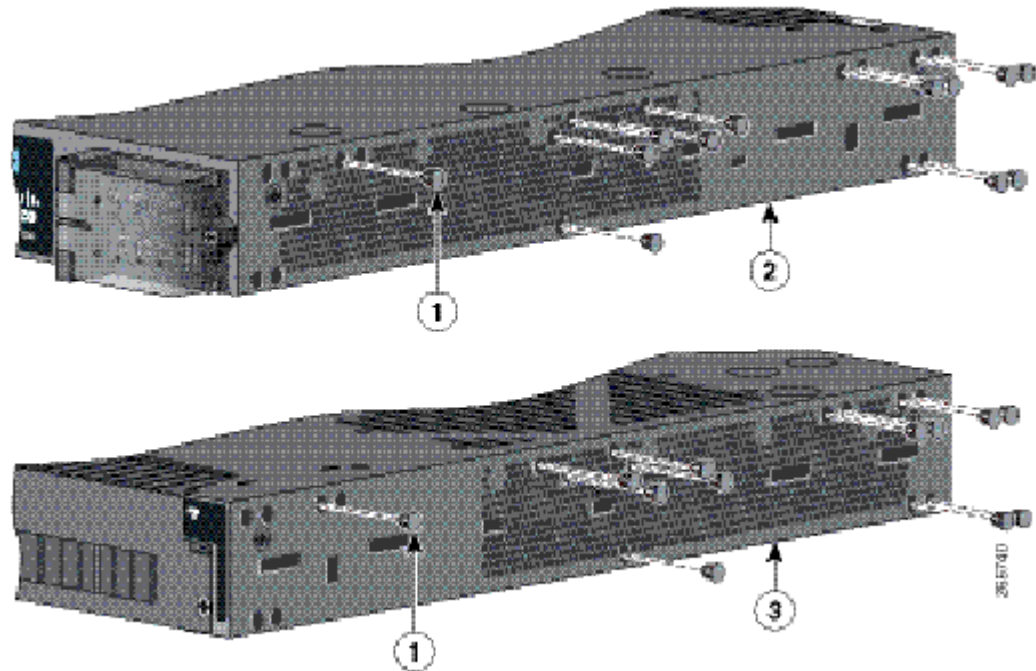
-
- Step 1** Determine whether you will install using the mid-mount, cable-side, or power supply-side positioning by identifying your bracket mounting positions shown in [Figure 2-9](#) and [Figure 2-10](#).
- Step 2** Insert the rubber plugs into the appropriate holes according to your mount position as shown in [Figure 2-6](#) and [Figure 2-7](#). Follow the same procedure for both sides of the switch.

Figure 2-6 Inserting the Rubber Plugs



1	Rubber plug	3	Cable-side mounting position
2	Mid-mount position	4	Power supply-side mounting position

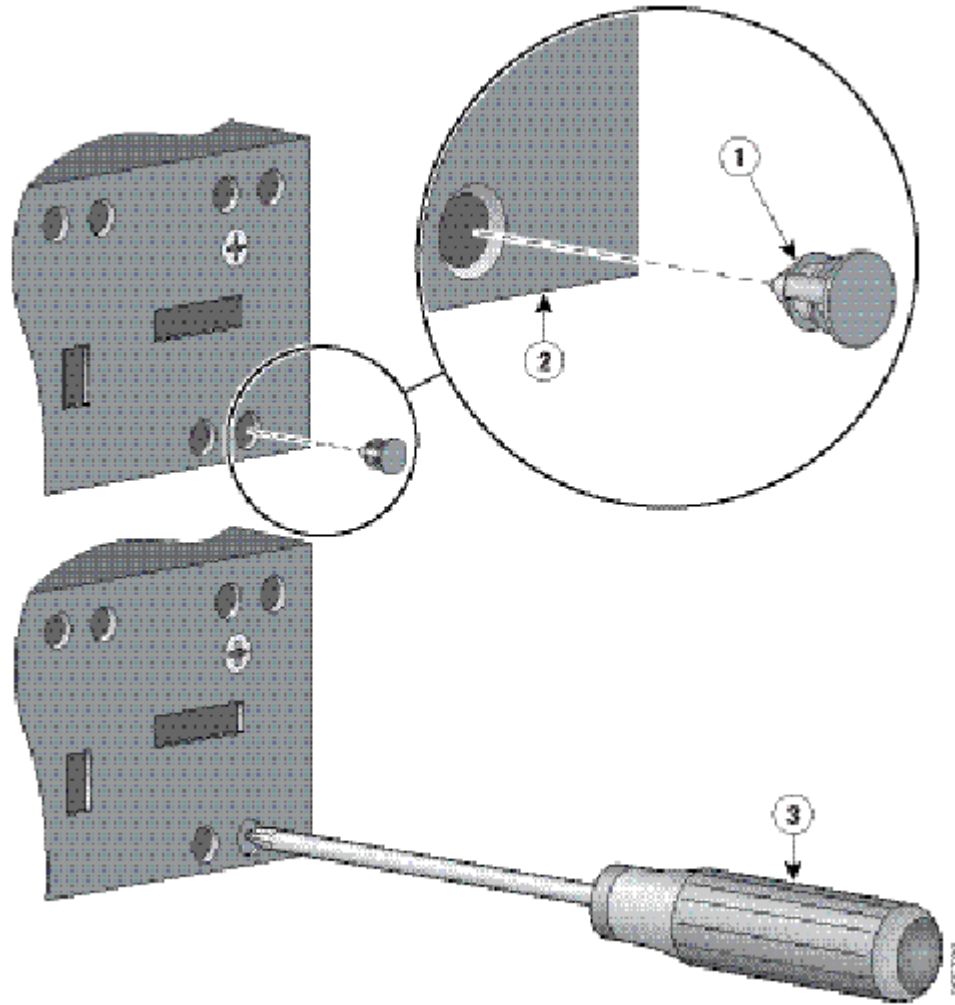
Figure 2-7 Inserting the Rubber Plugs



1	Rubber plug	3	Power supply-side mounting position
2	Cable-side mounting position		

Step 3 Use a screwdriver or pen to completely push in the rubber plugs. [Figure 2-8](#) shows a close-up of the rubber plug and how they are inserted into the mounting holes.

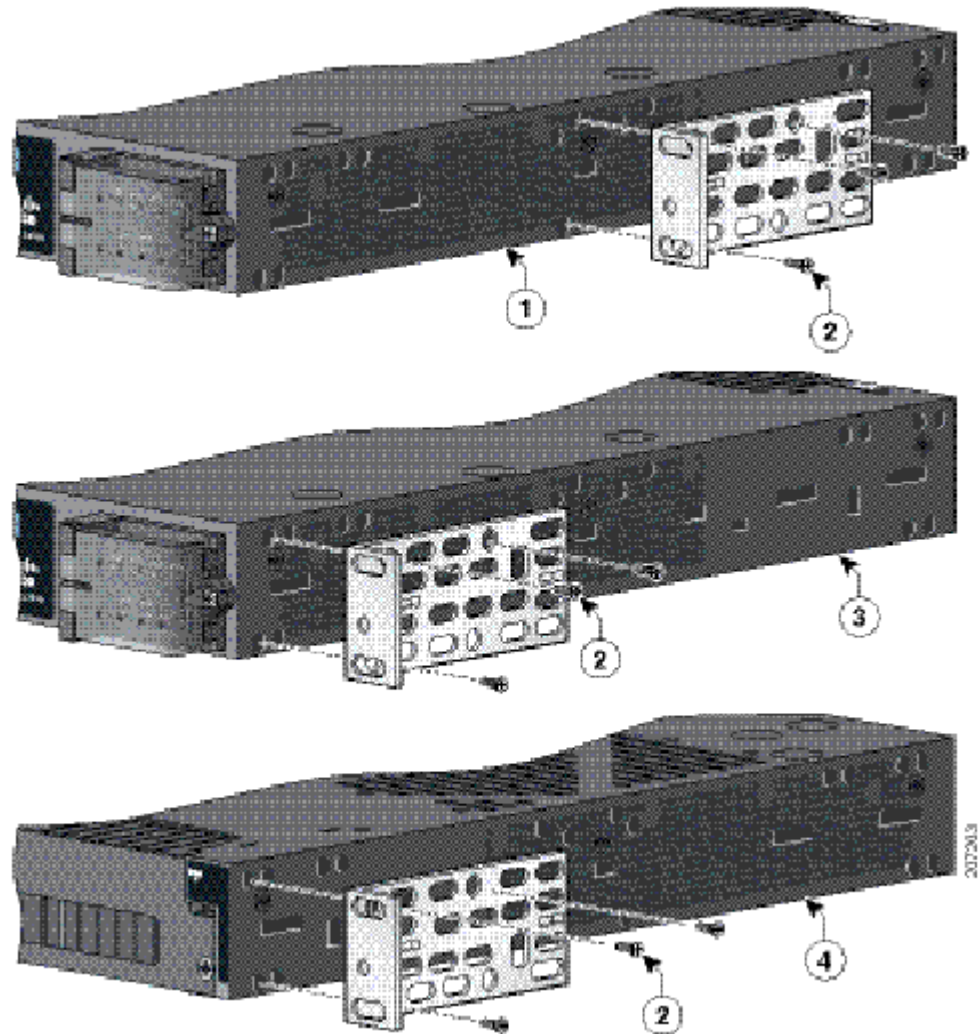
Figure 2-8 Inserting the Rubber Plugs (detail)



1	Rubber plug	3	Screwdriver
2	Switch		

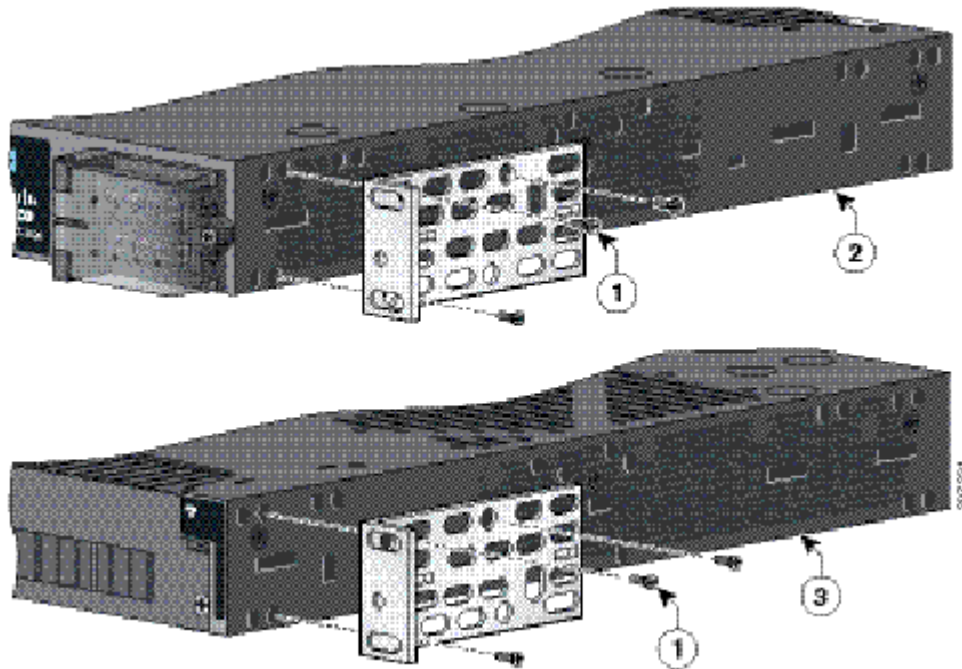
Step 4 Install the brackets on both sides of the switch as shown in [Figure 2-9](#) and [Figure 2-10](#).

Figure 2-9 Attaching Brackets for 19-Inch Racks



1	Mid-mount position	3	Cable-side mounting position
2	Phillips flat-head screws	4	Power supply-side mounting position

Figure 2-10 Attaching Brackets for 19-Inch Racks



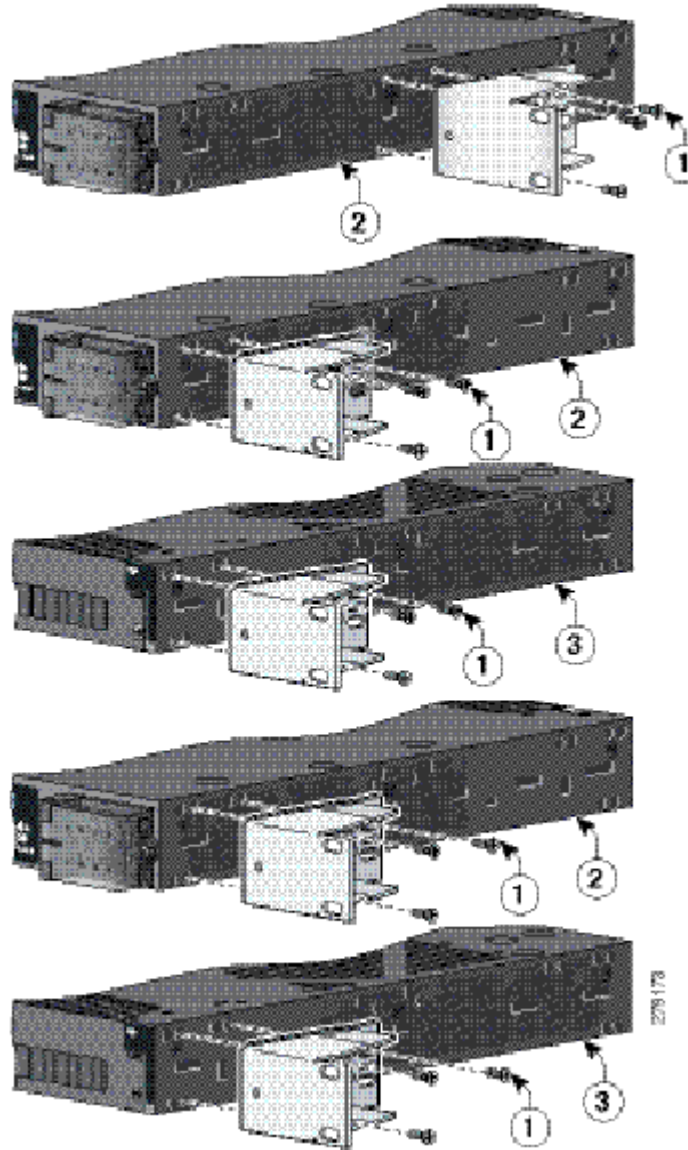
1	Phillips flat-head screws	3	Power supply-side mounting position
2	Cable-side-mounting position		

Note For IP-30 compliance: If you use 23-inch brackets or ETSI brackets, you can insert the rubber plugs in the same holes as shown in [Figure 2-6](#) and [Figure 2-7](#) before installing the brackets.

Attaching Brackets for 23-Inch Racks

[Figure 2-11](#) shows the 23-inch rack mounting bracket locations on the switch for cable-side mounting and power-side mounting onto a 23-inch rack.

Figure 2-11 Attaching Brackets for 23-Inch Racks



1	Phillips flat-head screws	3	Power supply-side mounting position
2	Cable-side-mounting position		



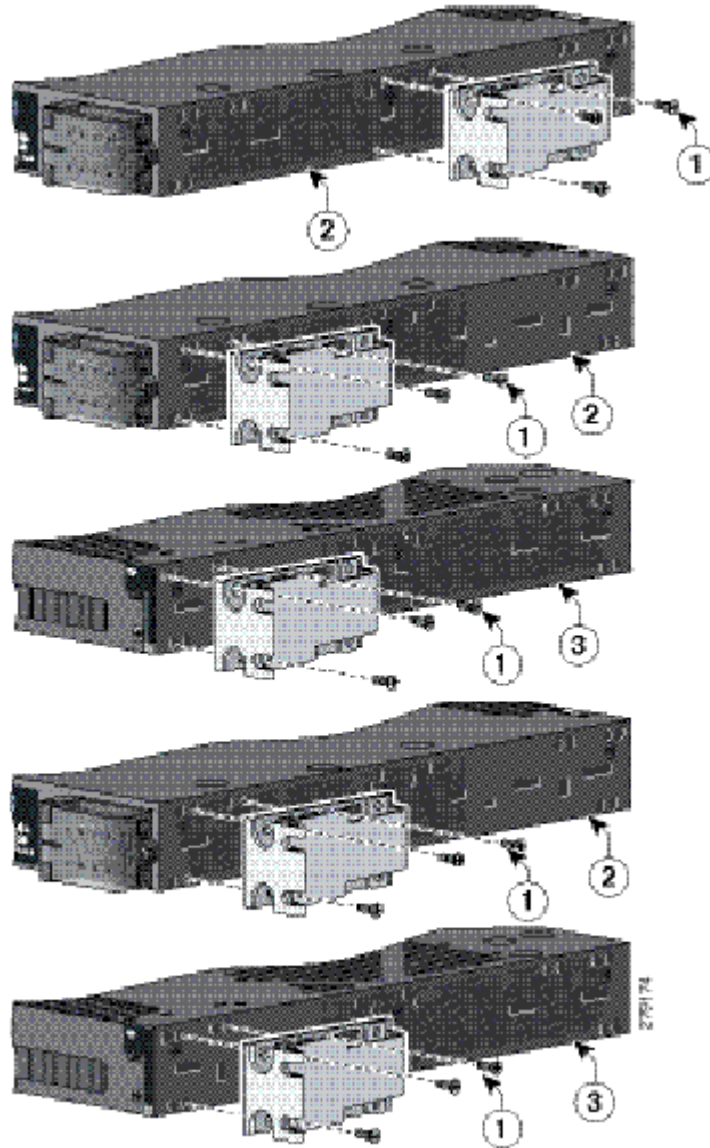
Note

For IP-30 compliance: If you use 23-inch brackets, you can insert the rubber plugs in the same holes as shown in [Figure 2-7](#) or [Figure 2-8](#) before installing the brackets.

Attaching Brackets for ETSI Racks

[Figure 2-12](#) shows the mounting bracket locations on the switch for cable-side mounting and power-side mounting onto an ETSI rack.

Figure 2-12 Attaching Brackets for ETSI Racks



1	Phillips flat-head screws	3	Power supply-side mounting position
2	Cable-side mounting position		

**Note**

For IP-30 compliance: If you use ETSI brackets, you can insert the rubber plugs in the same holes as shown in [Figure 2-7](#) or [Figure 2-8](#) before installing the brackets.

Mounting the Switch into a Rack

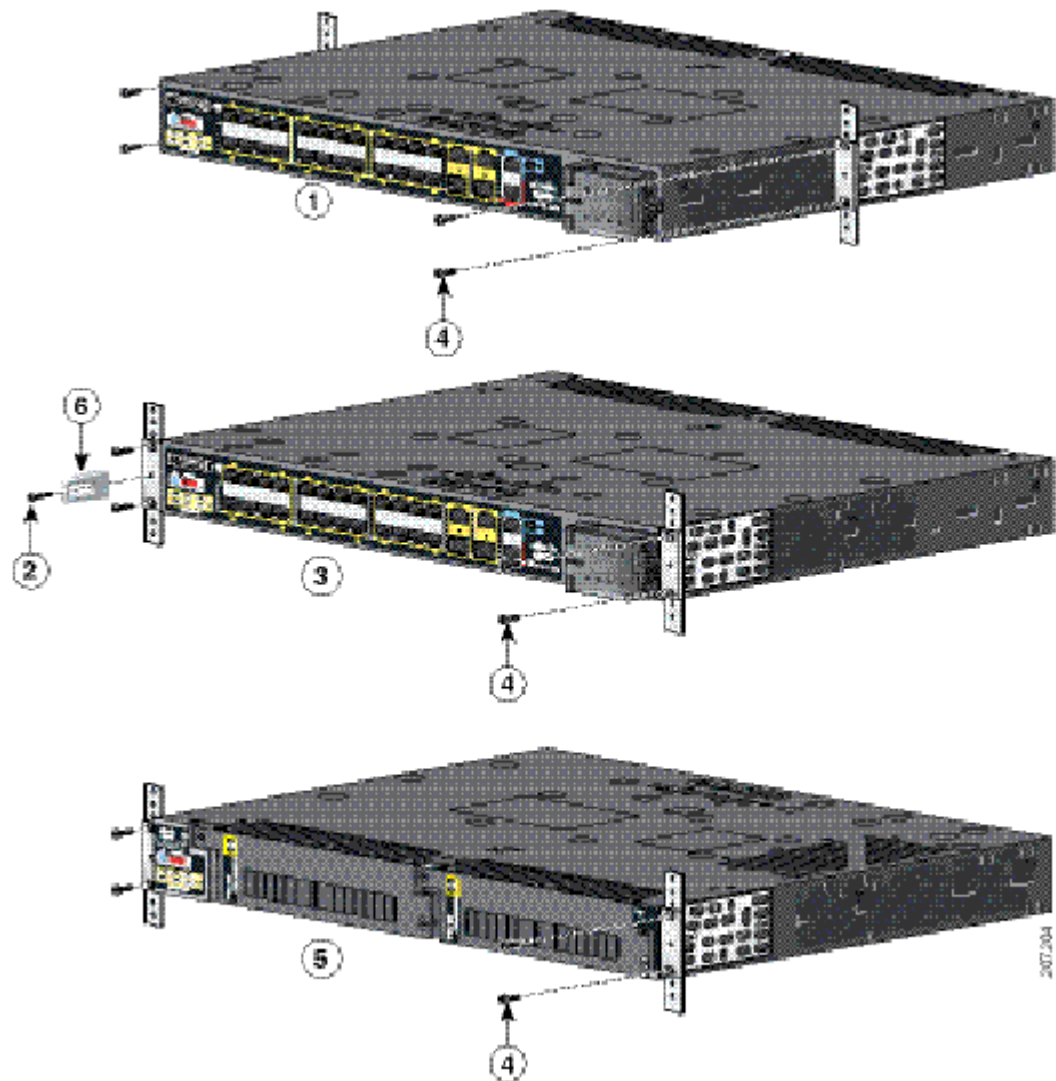
After you attach the brackets onto the switch, use the four supplied number-12 Phillips machine screws to attach the brackets to the rack as shown in [Figure 2-13](#). (Brackets for the 19-inch rack shown in this example.)



Note

We recommend attaching the cable guide to prevent the cables from obscuring the LED panels on the devices in the rack. Use the supplied black screw shown in [Figure 2-13](#) [6] to attach the cable guide to the left or right bracket.

Figure 2-13 Rack Mounting



1	Mid-mount position	4	Phillips machine screws
2	Cable screw	5	Power supply-side mounting position
3	Cable-side mounting position	6	Cable guide

Wall-Mounting

The following steps are covered in this section:

- [Attaching Brackets for Wall Mounting](#), page 2-16
- [Wall-Mounting \(for IP-30 Compliance\)](#), page 2-17



Warning

If the switch is wall-mounted in an enclosure allow for these minimum clearances:

- **Sides of switch (facing up and facing down): 3.75 in. (9.52 cm)**
 - **Port side 3.0 in. (7.62 cm)**
 - **Power supply side: 5.25 in. (13.33 cm)**
 - **Cover side (side not facing wall): 1.75 in. (4.44 cm)**
 - **Base side (facing wall): 0 in. (0 cm)**
-

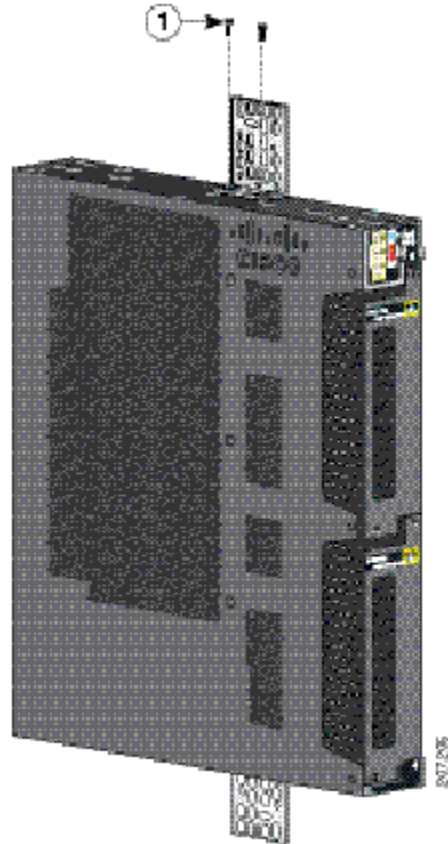
Attaching Brackets for Wall Mounting

Follow these steps to mount the switch onto a wall.

-
- Step 1** Insert the rubber plugs into the appropriate holes. Follow the same procedure for the other side of the switch.
- Step 2** Use a screwdriver or pen to completely push in the rubber plugs (see [Figure 2-8](#)).
- Step 3** Install the brackets onto both sides of the switch (see [Figure 2-16](#)).
- Step 4** Secure the bracket and switch to the wall using the screws provided.
-

[Figure 2-14](#) shows how to wall-mount the switch onto a wall.

Figure 2-14 Attaching 19-inch Rack Brackets for Wall Mounting



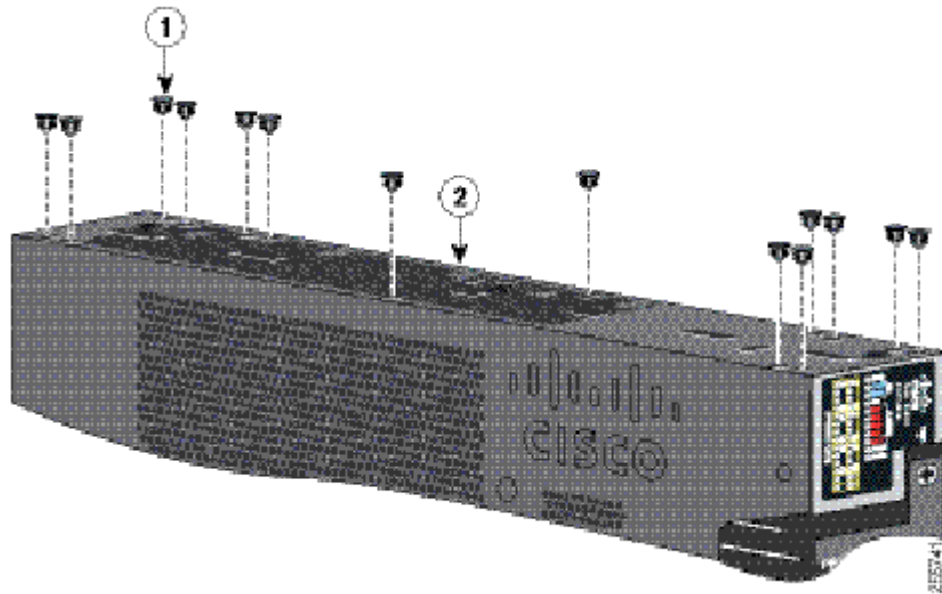
1	Phillips truss-head screws
----------	----------------------------

Wall-Mounting (for IP-30 Compliance)

Follow these steps to mount the switch onto a wall and conform to IP-30 Compliance regulations.

-
- Step 1** Insert the rubber plugs into the appropriate holes (see [Figure 2-15](#)). Follow the same procedure for the other side of the switch.
- Step 2** Use a screwdriver or pen to completely push in the rubber plugs (see [Figure 2-8](#)).

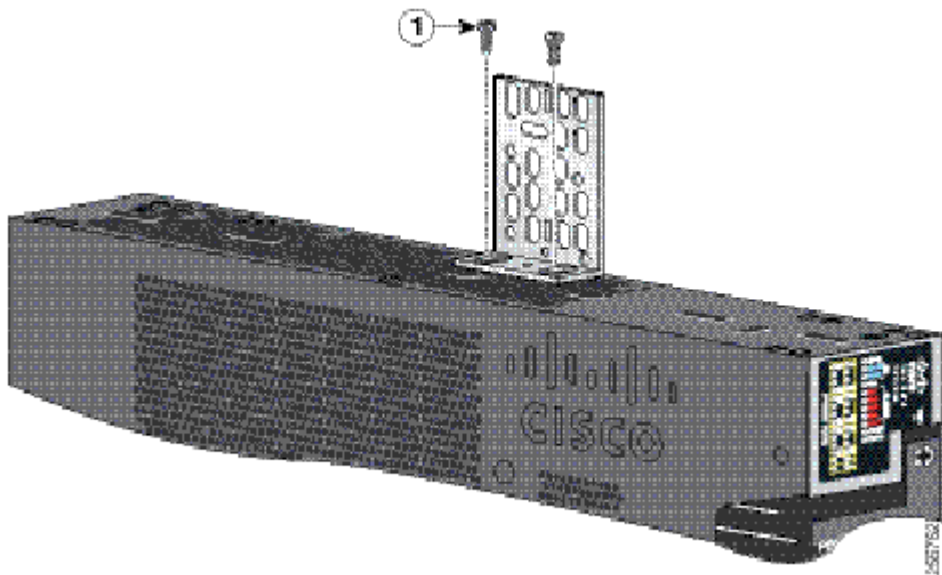
Figure 2-15 Inserting the Rubber Plugs into the Switch Holes



1	Rubber plug
----------	-------------

Step 3 Install the brackets on both sides of the switch (see [Figure 2-16](#)).

Figure 2-16 Attaching 19-inch Rack Brackets



1	Phillips truss-head screws
----------	----------------------------

Installing and Removing SFP Modules

Small-form-factor pluggable (SFP) modules provide the uplink optical interfaces, laser send (TX) and laser receive (RX).

When installing or removing SFP modules, observe these guidelines:

- Removing and installing an SFP module can shorten its useful life. Do not remove and insert any module more often than is absolutely necessary.
- To prevent ESD damage, follow your normal board and component handling procedures when connecting cables to the switch and other devices.



Warning

Class 1 laser product. Statement 1008



Caution

Do not remove the dust plugs from the fiber-optic SFP module port or the rubber caps from the fiber-optic cable until you are ready to connect the cable. The plugs and caps protect the SFP module ports and cables from contamination and ambient light.



Caution

We strongly recommend that you not install or remove the SFP module while the fiber-optic cable is attached to it because of the potential damage to the cables, to the cable connector, or to the optical interfaces in the SFP module. Disconnect the cable before you remove or install an SFP module.

Installing SFP Modules

This section describes how to install Small Form Factor pluggable (SFP) modules. SFP modules are inserted into the SFP modules connected to the switch.

Step 1 Attach an ESD-preventive wrist strap to your wrist and to a bare metal surface.

Step 2 Find the send (TX) and receive (RX) markings on the module top.

Note On some SFP modules, the send and receive (TX and RX) markings might be replaced by arrows that show the direction (send or receive) of the connection.

Step 3 If the module has a bale-clasp latch, move it to the open, unlocked position.

Step 4 Align the module in front of the slot opening, and insert until you feel the connector snap into place.

Step 5 If the module has a bale-clasp latch, close it to lock it into place.

Step 6 For fiber-optic SFP modules, remove the dust plugs and store them in a clean location for reuse.

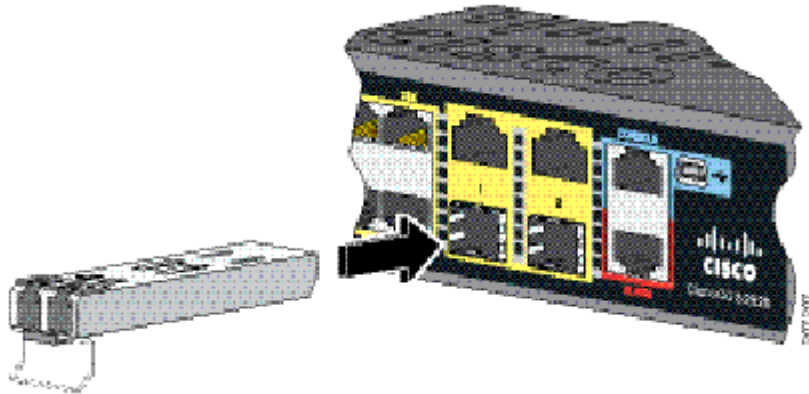


Caution

Do not remove the dust plugs from the fiber-optic SFP module port until you are ready to insert the SFP cables.

Step 7 Connect the SFP cables.

Figure 2-17 Installing an SFP Module



Removing SFP Modules

This section describes how to replace small-form-factor pluggable (SFP) modules. SFP modules are inserted into the SFP modules connected to the switch.

-
- Step 1** Attach an ESD-preventive wrist strap to your wrist and to a bare metal surface.
- Step 2** Disconnect the cables from the SFP module ports. For reattachment, note which cable connector plug is send (TX) and which is receive (RX).

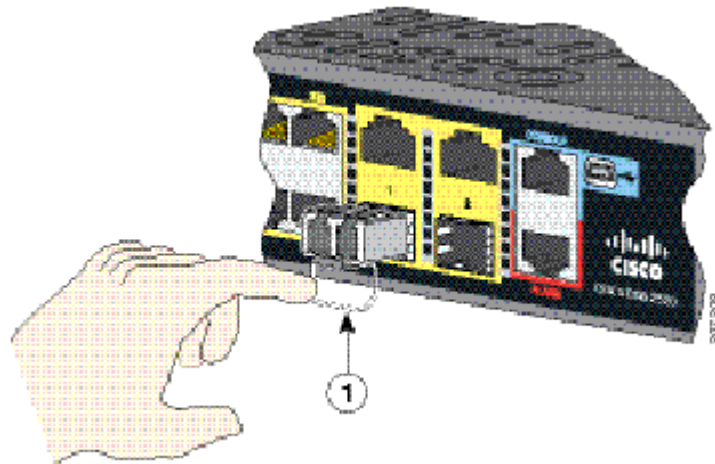
Note On some SFP modules, the send and receive (TX and RX) markings might be replaced by arrows that show the direction (send or receive) of the connection.



Caution Do not remove cables from the fiber-optic SFP module ports until you are ready to insert the dust plugs.

- Step 3** Insert a dust plug into the optical ports of the SFP module.
- Step 4** If the module has a bale-clasp latch, pull the bale out and down to eject it. If the latch is obstructed and you cannot use your finger, use a small, flat-blade screwdriver or other long, narrow instrument.

Figure 2-18 Removing a Bale Clasp Latch SFP Module

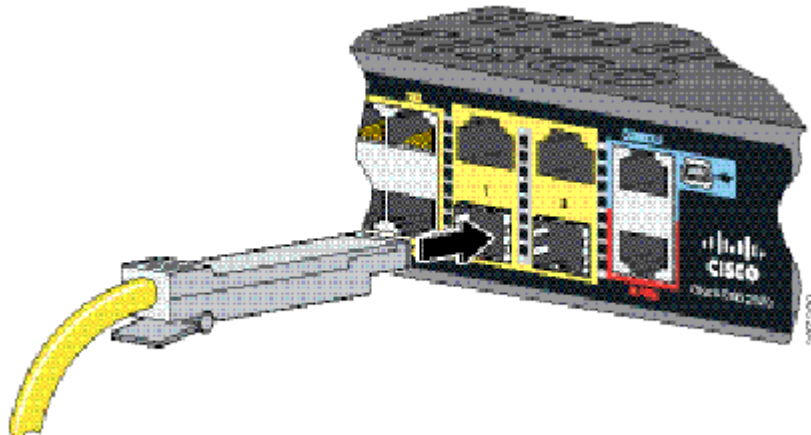


- Step 5** Grasp the SFP module, and carefully remove it from the slot.
- Step 6** Place the module in an anti-static bag or other protective environment.

Inserting and Removing the SFP Module Patch Cable

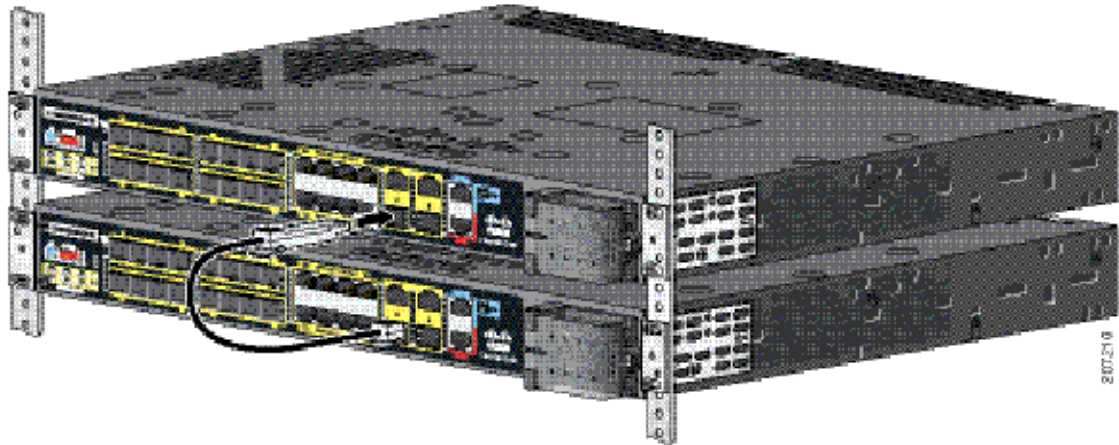
- Step 1** Attach an ESD-preventive wrist strap to your wrist and to a bare metal surface.
- Step 2** Insert the SFP module patch cable into the slot until you feel the connector on the cable snap into place at the rear of the slot (see [Figure 2-19](#)).

Figure 2-19 Inserting an SFP Module Patch Cable



- Step 3** Repeat these steps for the second switch that you want to connect to the first switch.

Figure 2-20 Connecting Two Switches with an SFP Module Patch Cable



Removing the SFP Module Patch Cable

To remove an SFP module patch cable from the SFP module slot, release the connector, and pull it from the slot.

Replacing the SD Flash Memory Card

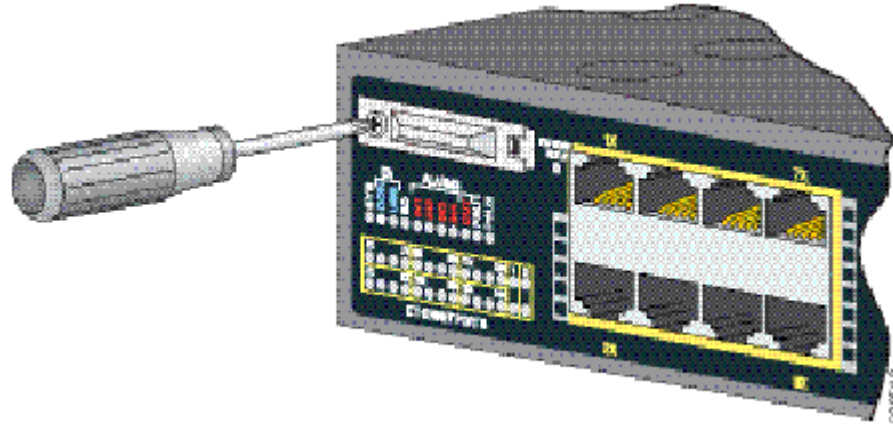


Warning

Be aware that the SD card contains sensitive and security relevant information, including but not limited to full device configuration information, public and private keys used for SSH and SSL (if those protocols are enabled), device passwords and others. Access to SD cards for any Cisco CGS switch should be limited to authorized personnel.

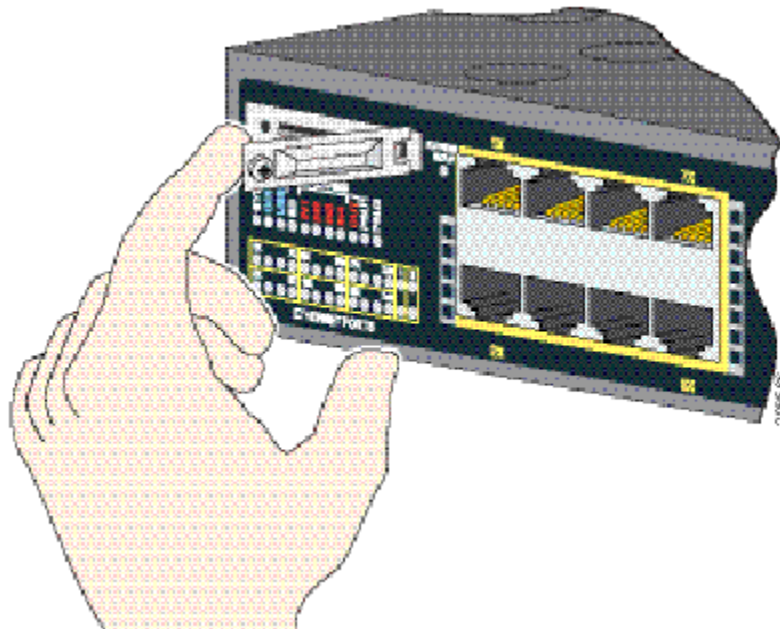
- Step 1** Locate the Secure Digital (SD) flash memory card slot on the cable-side of the switch.
- Step 2** Use a number 1 Phillips screwdriver to loosen the captive screw (see [Figure 2-21](#)).

Figure 2-21 Loosening the Captive Screw



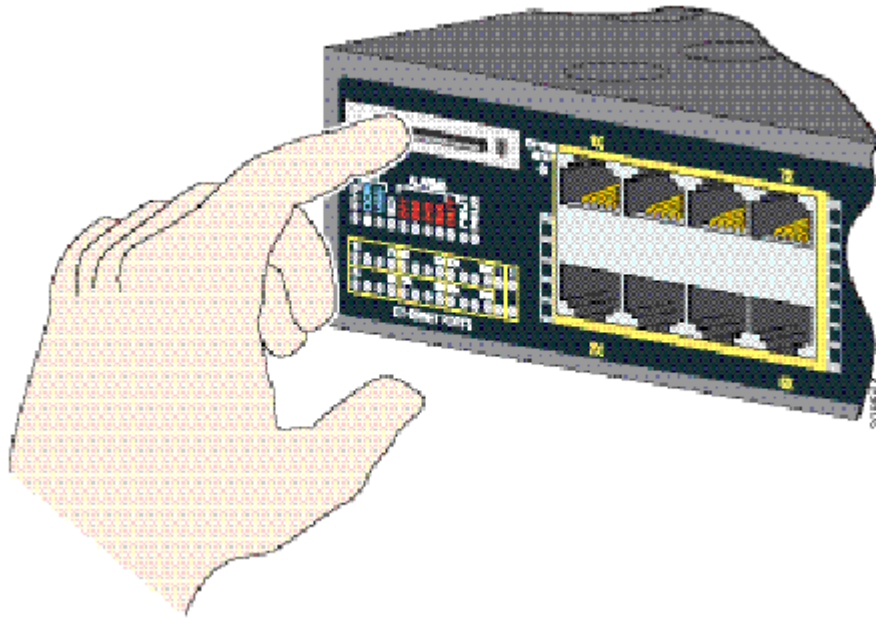
Step 3 Pull the cover open, and pull the cover tabs from the hinge (see [Figure 2-22](#)).

Figure 2-22 Removing the SD Slot Cover



Step 4 Gently push the SD flash memory card to eject it (see [Figure 2-23](#)). Place it in an antistatic bag to protect it from static discharge.

Figure 2-23 Removing the SD Flash Memory Card



- Step 5** Push the replacement card (upside down) into the slot, and press it firmly in place. The card is keyed so that you cannot insert it the wrong way.
- Step 6** Begin replacing the cover by placing the SD slot cover tabs into the hinge.
- Step 7** Close the cover, and use a ratcheting torque number 1 Phillips screwdriver to torque the screw to 4.5 in-lb.

Table 2-1 Ethernet Cables (Auto-MDIX Disabled)

Device	Crossover Cable ¹	Straight-Through Cable ¹
Switch to switch	Yes	No
Switch to hub	Yes	No
Switch to computer or server	No	Yes
Switch to router	No	Yes
Switch to IP phone	No	Yes

1. 100BASE-TX and 1000BASE-T traffic requires twisted four-pair, Category 5, Category 5e, or Category 6 cable. 10BASE-T traffic uses Category 3 or Category 4 cable.

Connecting Devices to the Ethernet Ports

This section covers the following procedures:

- [Connecting to the 10/100 and 10/100/1000 Ports, page 2-25](#)
- [Connecting to the 10/100 PoE+ Ports, page 2-25](#)

Connecting to the 10/100 and 10/100/1000 Ports

The 10/100 and 10/100/1000 Ethernet ports use standard RJ-45 connectors with Ethernet pinouts. The maximum cable length is 328 feet (100 meters). The 100BASE-TX and 1000BASE-T traffic requires Category 5, Category 5e, or Category 6 UTP cable. The 10BASE-T traffic uses Category 3 or Category 4 cable.

The auto-negotiation feature is enabled by default on the switch. At this setting, the switch ports configure themselves to operate at the speed of the attached device. If the device does not support auto-negotiation, you can set the switch port speed and duplex parameters. To maximize performance, either let the ports autonegotiate both speed and duplex, or set the port speed and duplex parameters on both ends of the connection.

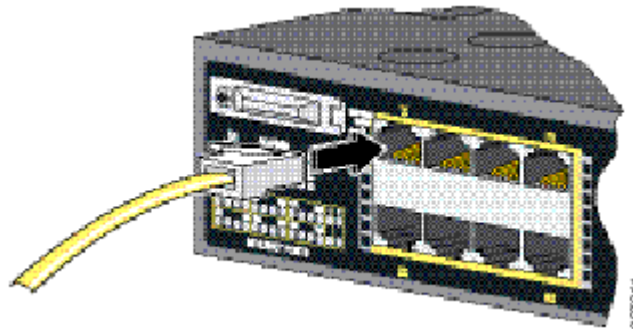
For simplified cabling, the automatic medium-dependent interface crossover (auto-MDIX) feature is enabled by default. With auto-MDIX enabled, the switch detects the required cable type for copper Ethernet connections and configures the interface accordingly. Therefore, you can use either a crossover or a straight-through cable for connections to a 10/100/1000 Ethernet port, regardless of the type of connected device.

See the switch software configuration guide or the switch command reference on Cisco.com for more information about auto-negotiation and auto-MDIX.

If auto-MDIX is disabled, use the guidelines in [Table 2-1](#) to select the cable for connecting the 10/100/1000 Ethernet ports to other devices.

See the [“Connector and Cable Specifications”](#) section on [page B-1](#) for cable-pinout descriptions.

Figure 2-24 Connecting to an Ethernet Port



Connecting to the 10/100 PoE+ Ports

The Cisco CGS-2520-16S-8PC switch (and the CGS-2520-16S-8PC-C switch) 10/100 PoE+ ports have the same auto-negotiation settings and cabling requirements as those in the [“Connecting to the 10/100 and 10/100/1000 Ports”](#) section on [page 2-25](#). These ports provide PoE power.

See the [“PoE and PoE+ Ports”](#) section on [page 1-4](#) for information on the cables and connectors.

The ports provide PoE support for devices compliant with IEEE 802.3af and also provide Cisco prestandard PoE support for Cisco IP Phones and Cisco Aironet Access Points.

On a per-port basis, you can control whether or not a port automatically provides power to a connected IP phone or an access point.

To access an advanced PoE+ planning tool, use the Cisco Power Calculator on Cisco.com:

<http://tools.cisco.com/cpc/launch.jsp>

You can use this application to calculate the power supply requirements for a specific PoE configuration. The results show output current, output power, and heat dissipation.

**Warning**

Voltages that present a shock hazard may exist on Power over Ethernet (PoE) circuits if interconnections are made using uninsulated exposed metal contacts, conductors, or terminals. Avoid using such interconnection methods, unless the exposed metal parts are located within a restricted access location and users and service people who are authorized within the restricted access location are made aware of the hazard. A restricted access area can be accessed only through the use of a special tool, lock and key or other means of security. Statement 1072

**Caution**

Category 5e and Category 6 cables can store high levels of static electricity. Always ground the cables to a suitable and safe earth ground before connecting them to the switch or other devices.

Where to Go Next

After the switch is mounted onto the rack, do the following:

- Wire the switch to a power source (see the [“Power Supply Installation”](#) chapter).
- For configuration instructions about the CLI setup program, see the [“Configuring the Switch with the CLI Setup Program”](#) section on page C-1.
- You can use the default configuration installed on the switch or use any of the management options described in the [“Management Options”](#) section on page 1-15 to change the switch settings.



Power Supply Installation

This chapter describes how to remove and install a new or replacement power supply. Your switch ships with at least one installed power supply module (AC or DC, depending on your order). The power supply modules are field-replaceable units (FRUs) and are hot-swappable.

For translations of the safety warnings in this chapter, see the Regulatory Compliance and Safety Information for the Cisco CGS 2520 on the documentation CD and also on Cisco.com.

- [Power Supply Modules, page 3-1](#)
- [Installation Guidelines, page 3-3](#)
- [Grounding the Switch, page 3-4](#)
- [Installing the Power Supply Module in the Switch, page 3-6](#)
- [Wiring the Power Source, page 3-7](#)
- [Removing the Power Supply Module, page 3-11](#)

Power Supply Modules

For information on the power supply modules, see the “Power Supply Features” section on page 1-14.

Table 3-1 Power Supply Modules

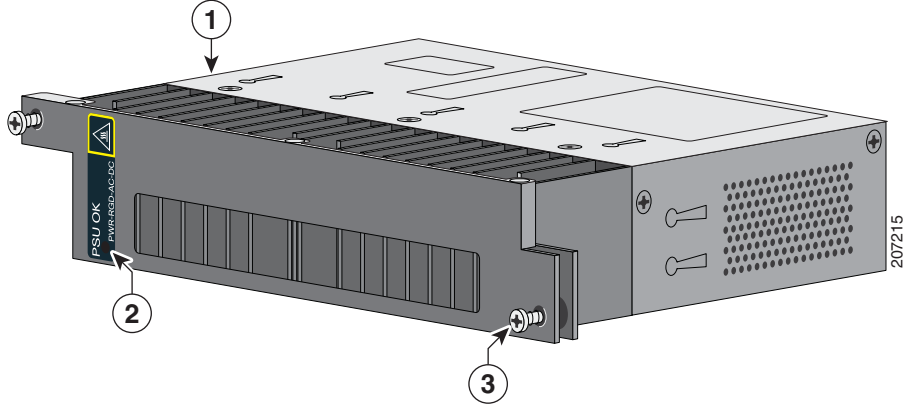
Model	Description
PWR-RGD-LOW-DC	Low-voltage DC. For voltage information, see Table A-8 on page A-4
PWR-RGD-AC-DC	High-voltage AC or DC. For voltage information, see Table A-7 on page A-4
PWR-RGD-AC-DC-C	(For China) High-voltage AC or DC. For voltage information, see Table A-7 on page A-4



Note

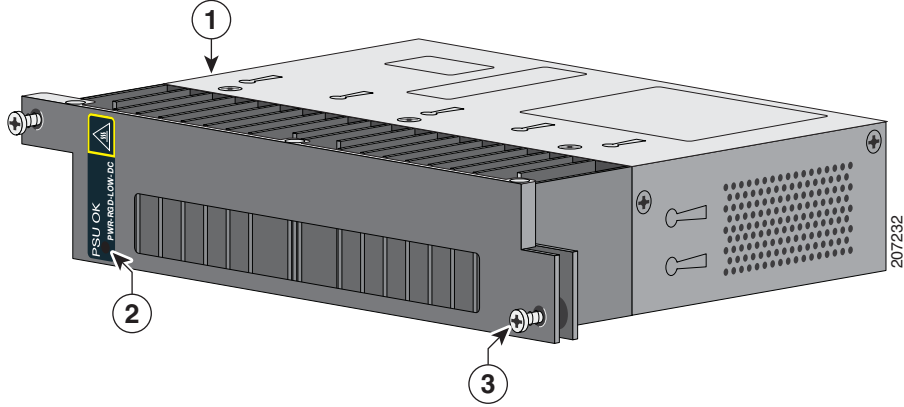
Each power supply module can support an equivalent PoE load of two PoE+ ports or four PoE ports. When both power supply modules are installed, the system has enough power to support four PoE+ ports, or eight PoE ports. If ports are designated as high priority and low priority PoE or PoE+ ports at the command line interface (CLI), and one power supply module fails or is removed, power to the high priority ports is maintained, and power to the low priority ports is dropped. When assigning priority to PoE or PoE+ ports, it is important to assign priorities on the basis of power supply capacity.

Figure 3-1 PWR-RGD-AC-DC Power Supply Module



1	Power supply module	3	Captive screw
2	PSU OK LED		

Figure 3-2 PWR-RGD-LOW-DC Power Supply Module



1	Power supply module	3	Captive screw
2	PSU OK LED		

For a description of the PSU OK LEDs, see the “Power Supply Module LEDs” section on page 1-10.

Power Supply Module Installation

- [Installation Guidelines, page 3-3](#)
- [Installing a Power Supply Module, page 3-3](#)
- [Wiring the Power Source, page 3-7](#)
- [Removing the Power Supply Module, page 3-11](#)

Installation Guidelines

Observe these guidelines when removing or installing a power supply module:

A power supply module that is only partially connected to the switch disrupts the system operation.



Warning

Blank faceplates and cover panels serve three important functions: they prevent exposure to hazardous voltages and currents inside the chassis; they contain electromagnetic interference (EMI) that might disrupt other equipment; and they direct the flow of cooling air through the chassis. Do not operate the system unless all cards, faceplates, front covers, and rear covers are in place.

Statement 1029



Note

You can order the blank cover (part number RPS-CG-COVER=).



Warning

Do not reach into a vacant slot while installing or removing a module. Exposed circuitry is an energy hazard. Statement 206



Warning

Only trained and qualified personnel should be allowed to install, replace, or service this equipment.

Statement 1030



Warning

Do not work on the system or connect or disconnect cables during periods of lightning activity.

Statement 1001

Installing a Power Supply Module

This procedure is for installing a power supply module in the PSU1 or PSU2 slot.



Warning

The covers are an integral part of the safety design of the product. Do not operate the unit without the covers installed. Statement 1077



Warning

This unit might have more than one power supply connection. All connections must be removed to de-energize the unit. Statement 1028



Caution

Equipment installation must comply with local and national electrical codes.

Equipment That You Need

- Ratcheting torque flathead screwdriver that exerts up to 15-inch pound (in-lb) of torque
- Ring, spade, or flanged spade terminal

- Ring terminal (such as Tyco part number 2-34158-1 for 16–14 AWG or 2-34852-1 for 12–10 AWG wire)
- Spade terminal (such as Tyco part number 54367-2 for 16–14 AWG wire)
- Flanged spade terminal (such as Tyco part number 2-324165-1 for 16–14 AWG wire or 1-324581-1 for 12–10 AWG wire)



Note For IP-30 compliance:
Use the 16-14 AWG wire and appropriate terminals for the AC or high-voltage DC power supply
Use the 12-10 AWG wire and appropriate terminals for the low-voltage DC power supply

- Crimping tool (such as Thomas & Bett part number WT2000, ERG-2001)
- 6-gauge copper ground wire (such as Belden part number 9906)
- 12-AWG wire (minimum) for the low-voltage power supply module and 16-AWG (minimum) wire for the high-voltage power supply module
- For power source connections, use wires rated for at least 194°F (90°C).
- UL- and CSA-rated style 1007 or 1569 twisted-pair copper wire (such as Belden part number 9318)
- Wire-stripping tools for stripping 6-, 10-, 12-, 14-, and 16-gauge wires.
- Number-2 Phillips screwdriver
- Flat-blade screwdriver

Grounding the Switch

Follow the grounding procedures at your site and observe these warnings:



Warning

This equipment must be grounded. Never defeat the ground conductor or operate the equipment in the absence of a suitably installed ground conductor. Contact the appropriate electrical inspection authority or an electrician if you are uncertain that suitable grounding is available. Statement 1024



Warning

When installing or replacing the unit, the ground connection must always be made first and disconnected last. Statement 1046



Caution

Follow the grounding procedure instructions, and use a UL-listed lug (included with the switch) for number-6 AWG wire and 10-32 ground-lug screws.



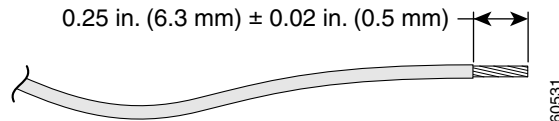
Note

You can use the grounding lug to attach a wrist strap for ESD protection during servicing.

Follow these steps to install a dual-hole lug on the switch. Be sure to follow any grounding requirements at your site.

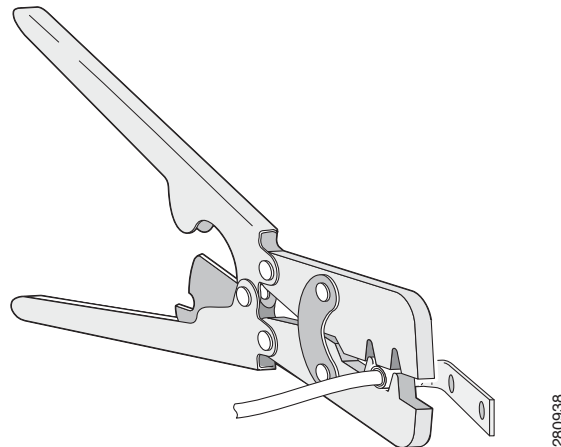
- Step 1** Use a Phillips screwdriver or a ratcheting torque screwdriver with a Phillips head to remove the ground screw from the cable side of the switch. You need the screw in Step 4.
- Step 2** Strip the 6-gauge ground wire to 0.5 inch (12.7 mm) \pm 0.02 inch (0.5 mm) (see [Figure 3-3](#)). Stripping more than the recommended amount of wire can leave exposed wire from the connector.

Figure 3-3 Stripping the Ground Wire



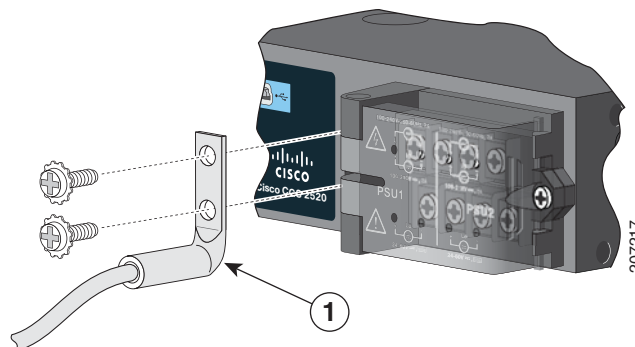
- Step 3** Insert the ground wire into the terminal lug, and crimp the terminal to the wire (see [Figure 3-4](#)).

Figure 3-4 Crimping the Terminal Lug



- Step 4** Slide the ground screw from Step 1 through the terminal lug. Insert the ground screws into the opening on the cable side.

Figure 3-5 Attaching the Terminal Lug



1	Dual-hole terminal lug
----------	------------------------

- Step 5** Use a ratcheting torque screwdriver to tighten the ground screws to 30 in-lb (± 2 in-lb).
- Step 6** Attach the other end of the ground wire to a grounded bare metal surface, such as a ground bus or a grounded bare rack.

Installing the Power Supply Module in the Switch

- Step 1** We recommend that power be off at the AC or DC circuits. Locate the circuit breakers, turn them OFF, and tape them in the OFF position.



Note If the power is not off at the AC or DC circuit breaker, do not touch the power-input terminal.

- Step 2** Use a Phillips screwdriver to loosen the two captive screws of the blank power supply module and gently pull it out. See [Figure 3-6](#) and [Figure 3-7](#).

Figure 3-6 Loosen the Screws on the Power Supply Blank

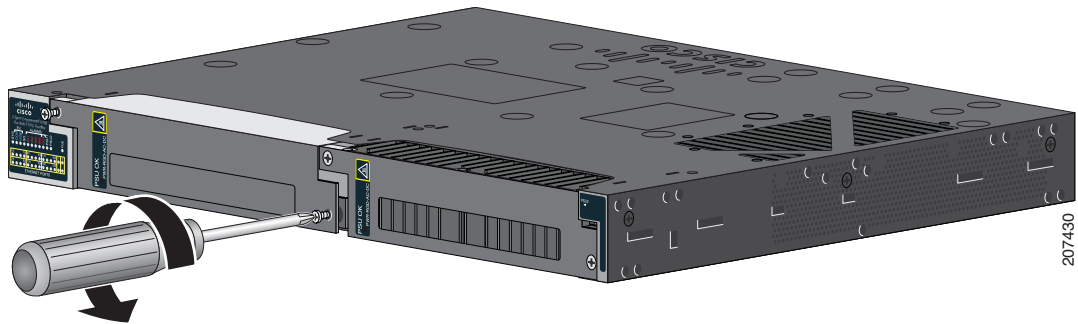
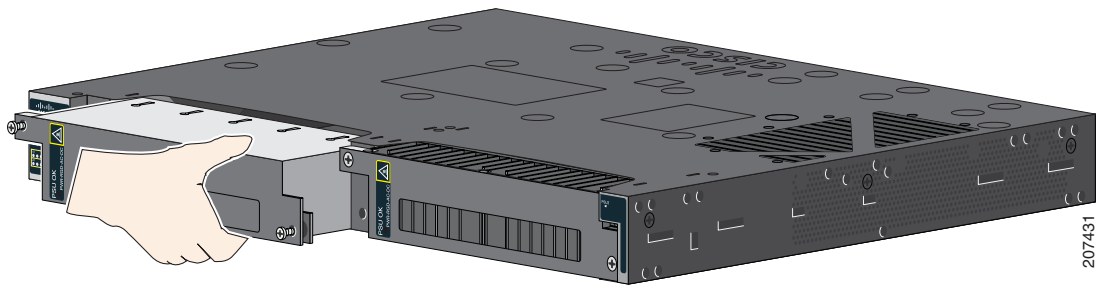
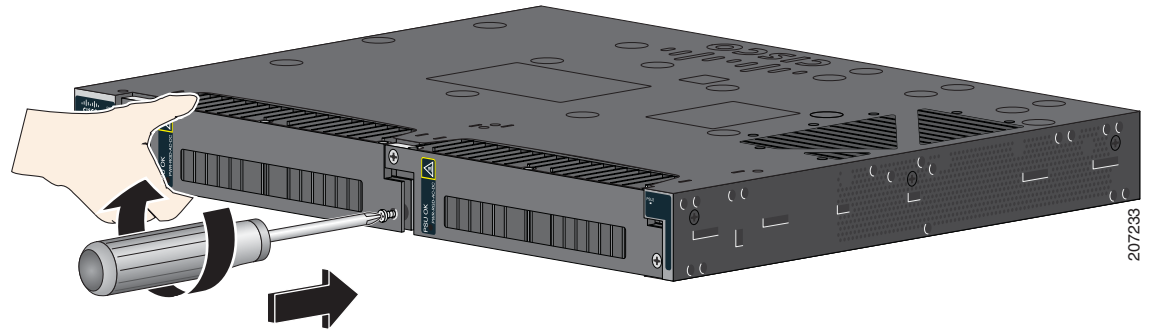


Figure 3-7 Remove the Power Supply Blank



- Step 3** Insert the power supply module into the slot, and gently push it in (see [Figure 3-8](#)). The power supply module should be flush with the switch.

Figure 3-8 Insert the Power Supply Module



Step 4 Use a ratcheting torque screwdriver to torque each screw to 8–10 in-lb.

Wiring the Power Source

Before you wire the power source, review the warnings in this section:


Warning

**This product relies on the building's installation for short-circuit (overcurrent) protection. Ensure that the protective device is rated not greater than:
AC: 5 A, DC: 15 A** Statement 1005


Warning

A readily accessible two-poled disconnect device must be incorporated in the fixed wiring.
Statement 1022


Warning

Only trained and qualified personnel should be allowed to install or replace this equipment.
Statement 1030


Warning

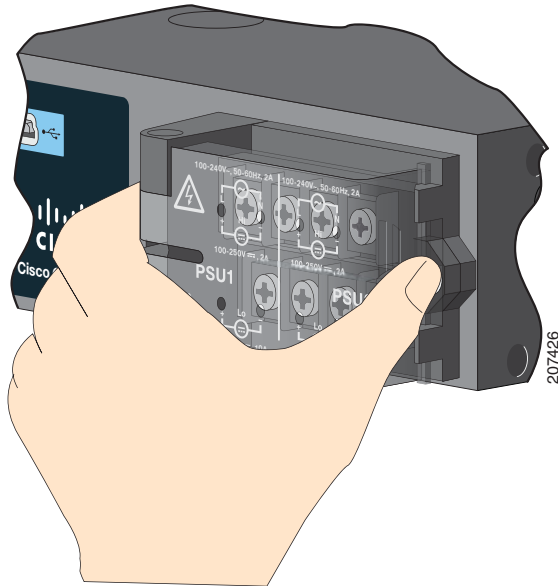
Hazardous voltage or energy may be present on power terminals. Always replace cover when terminals are not in service. Be sure uninsulated conductors are not accessible when cover is in place. Statement 1086

Step 1 Locate the AC and DC circuit breakers, turn them OFF, and tape them in the OFF position.



Note Do not connect the switch to a power source that has an ON/OFF switch.

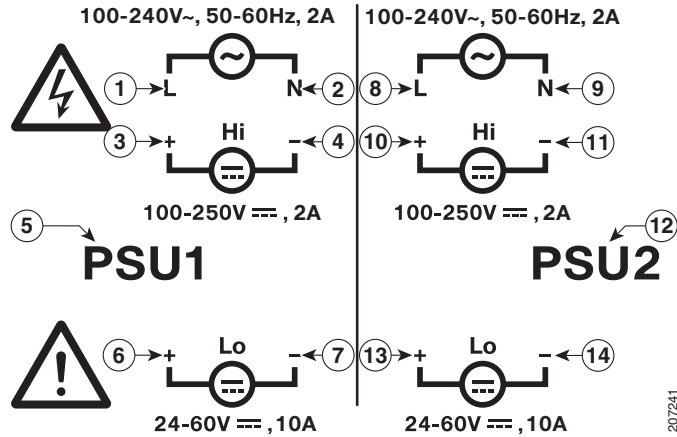
Step 2 Use a Phillips screwdriver to loosen the captive screw on the power-input terminal, and open the cover.

Figure 3-9 Opening the Power-Input Terminal Cover

The terminal screws labels are on the power-input terminal cover (see [Figure 3-10](#)).

Figure 3-10 Power-Input Terminal

1	Line connection for high-voltage AC (PSU1)	8	Line connection for high-voltage AC (for PSU2)
2	Neutral connection for high-voltage AC (PSU1)	9	Neutral connection for high-voltage AC (PSU2)
3	Positive connection for high-voltage DC (PSU1)	10	Positive connection for high-voltage DC (PSU2)
4	Negative connection for high-voltage DC (PSU1)	11	Negative connection for high-voltage DC (PSU2)
5	PSU1 (power supply module 1)	12	PSU2 (power supply module 2)
6	Positive connection for low-voltage DC (PSU1)	13	Positive connection for low-voltage DC (PSU2)
7	Negative connection for low-voltage DC (PSU1)	14	Negative connection for low-voltage DC (PSU2)



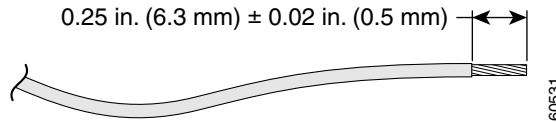
Note The power supply module 1 connection is labeled PSU1, and the power supply module 2 connection is labeled PSU2. Make sure that you connect the wires to the correct terminal screws.

Step 3 Use twisted-pair copper wire (14- to 18-AWG) to connect from the power-input terminal to the power source.

Note Use 12-AWG (minimum) for the low-voltage DC power supply module. Use 16-AWG (minimum) for the high-voltage AC or DC power supply module.

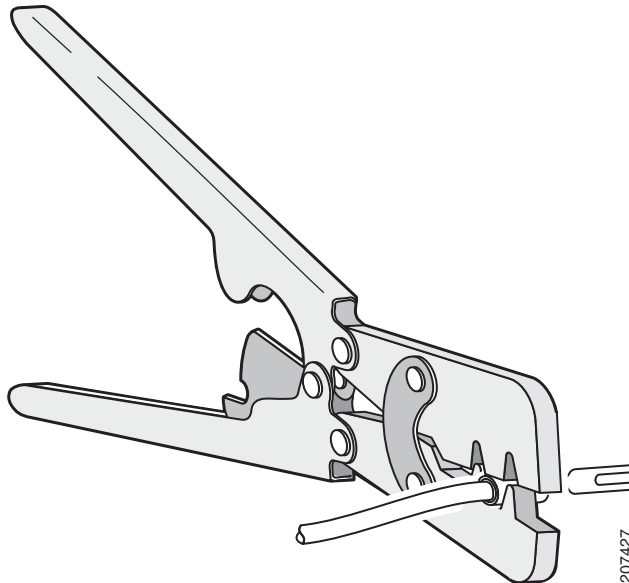
Step 4 Strip each of the two wires to 0.25 inch (6.3 mm) ± 0.02 inch (0.5 mm). Do not strip more than 0.27 inch (6.8 mm) of insulation from the wire. Stripping more than the recommended amount of wire can leave exposed wire from the connector after installation.

Figure 3-11 Stripping the Input Power Source Wire



Step 5 Insert the wire into a spade terminal, and crimp the it to the wire. You can also use a ring or flanged spade terminal as listed in the [“Equipment That You Need”](#) section on page 3-3.

Figure 3-12 Crimping the Spade Terminal Lug



Step 6 Loosen the terminal screw, and slide the terminal under the screw and washer (see [Figure 3-14](#)).



Note

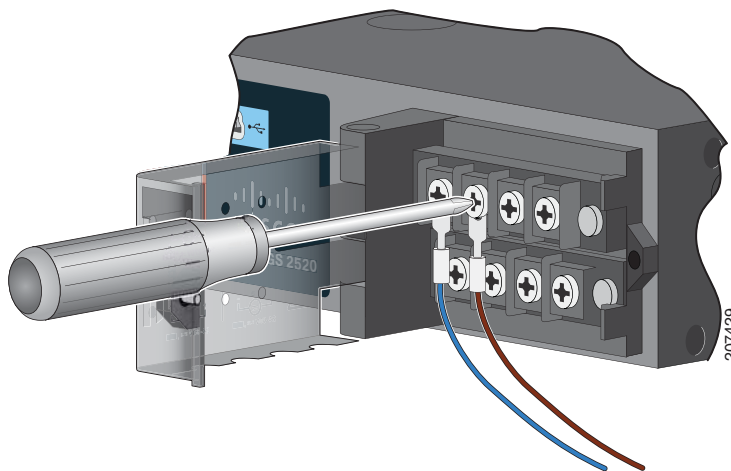
Use the appropriate terminal screws, depending on whether you are installing a high-voltage (AC or DC) power supply or a low-voltage (DC) power supply.

Step 7 AC power connection

Connect the line wire into the terminal screw labeled *L* and the neutral wire into the terminal screw labeled *N*.

Make sure that you cannot see any wire lead. Only wire *with insulation* should extend from the terminal screw.

Figure 3-13 Connecting the Wires to the High-Voltage AC Power (PSU1)

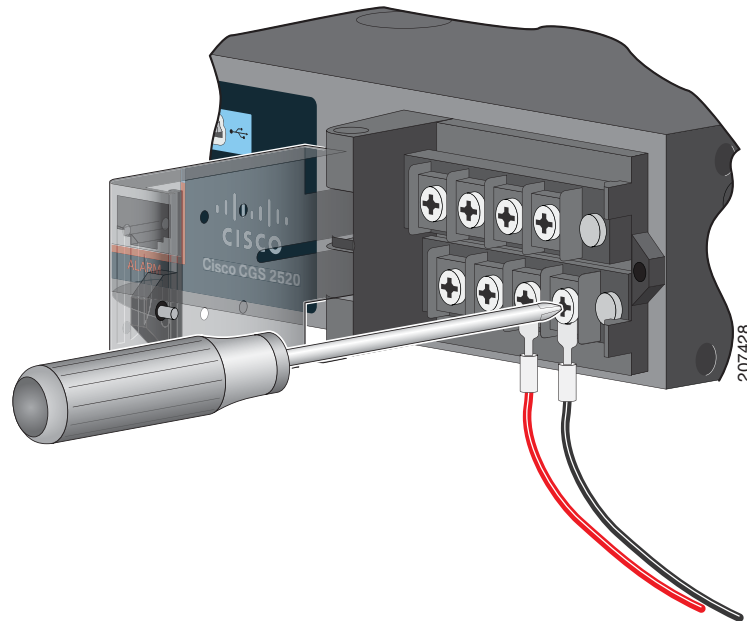


DC power connection. Connect the positive wire into the terminal screw labeled *+*, and the negative wire into the terminal screw labeled *-*. Make sure that you cannot see any wire lead. Only wire *with insulation* should extend from the terminal screw.

**Note**

If you have a low-voltage DC power supply module, connect the wires to the terminals labeled *Lo*. If you have a high-voltage DC power supply module, connect the wires to the terminals labeled *Hi*.

Figure 3-14 Connecting the Wires to the Low-Voltage DC Power (PSU2)



Step 8 Torque the captive screws (above the wires) to 8.5 in-lb (± 0.5 in-lb).

Step 9 *AC power*

Connect the other end of the line wire (the one connected to *L*) to the line terminal on the AC-power source, and connect the other end of the neutral wire (the one connected to *N*) to the neutral terminal on the AC power source.

DC power

Connect the other end of the positive wire (the one connected to *+*) to the positive terminal on the DC-power source, and connect the other end of the negative wire (the one connected to *-*) to the negative terminal on the DC power source.

Step 10 Close the power-input terminal cover. Use a ratcheting torque screwdriver to torque the screw to 6–8 in-lb.

Step 11 Turn on the power at the AC or DC circuit, verify that the *PSU1* or *PSU2 LED* on the switch and *PSU OK LED* on the power supply module are green.

Step 12 If you have two power supplies, repeat Step 1 through Step 11. See the switch software guide for information on how to configure the power supply settings.

Removing the Power Supply Module

The power supply modules are hot-swappable. By removing the power supply modules, you can power off the switch without disconnect the wiring from the power-input terminal.

- Step 1** We recommend that power be OFF at the AC or DC circuits. Locate the circuit breakers, turn them OFF and tape them in the OFF position.



Note If the power is not off at the AC or DC circuit breaker, do not touch the power-input terminal.

- Step 2** Verify that the PSU LED and PSU OK LED is blinking red or is off.

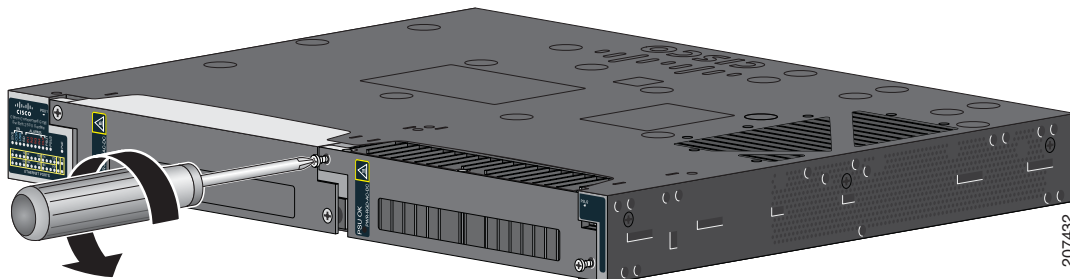
- Step 3** Use a Phillips screwdriver to loosen the captive screws that secure the power supply module to the switch (see [Figure 3-15](#)).



Warning

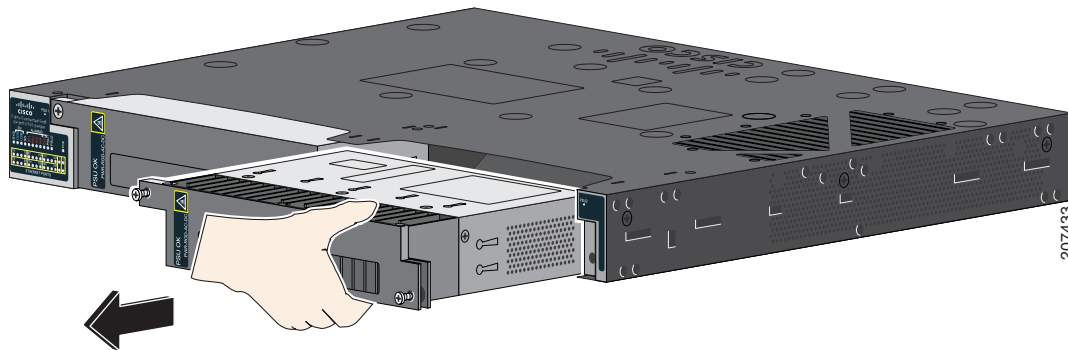
Hot surface. Statement 1079

Figure 3-15 Removing the Screws



- Step 4** Remove the power supply module from the power slot. The power supply module might be hot (see [Figure 3-16](#)).
- Step 5** Install a new power supply module or a blank cover.

Figure 3-16 Removing the Power Supply Module



Caution

To prevent exposure to hazardous voltages and to contain electromagnetic interference (EMI), either a power supply module or a blank cover must be in each power supply module slot at all times. You can order the blank cover (part number RPS-CG-COVER=).



Troubleshooting

This chapter contains the following topics:

- [Diagnosing Problems, page 4-1](#)
- [Resetting the Switch to the Factory Default Settings, page 4-6](#)
- [Finding the Switch Serial Number, page 4-6](#)

Diagnosing Problems

The switch LEDs provide troubleshooting information about the switch. They show POST failures, port-connectivity problems, and overall switch performance. You can also get statistics from the device manager, the CLI, or an SNMP workstation. See the software configuration guide, the switch command reference guide on Cisco.com, or the documentation that came with your SNMP application for details.

The following topics can be used as approaches to diagnosing problems:

- [Switch POST Results, page 4-1](#)
- [Switch LEDs, page 4-1](#)
- [Switch Connections, page 4-2](#)
- [Switch Performance, page 4-4](#)

Switch POST Results

See the [“Verifying Switch Operation” section on page 2-3](#) for information on POST.



Note

POST failures are usually fatal. Contact your Cisco technical support representative if your switch does not pass POST.

Switch LEDs

Look at the port LEDs information when troubleshooting the switch. See the [“LEDs” section on page 1-8](#) for a description of the LED colors and their meanings.

Switch Connections

- [Bad or Damaged Cable, page 4-2](#)
- [Ethernet and Fiber-Optic Cables, page 4-2](#)
- [Link Status, page 4-2](#)
- [10/100 and 10/100/1000 Port Connections, page 4-3](#)
- [10/100 PoE+ Port Connections, page 4-3](#)
- [SFP Module, page 4-3](#)
- [Interface Settings, page 4-4](#)
- [Ping End Device, page 4-4](#)
- [Spanning Tree Loops, page 4-4](#)

Bad or Damaged Cable

Always examine the cable for marginal damage or failure. A cable might be just good enough to connect at the physical layer, but it could corrupt packets as a result of subtle damage to the wiring or connectors. You can identify this problem because the port has many packet errors or it constantly flaps (loses and regains link).

- Exchange the copper or fiber-optic cable with a known good cable.
- Look for broken or missing pins on cable connectors.
- Rule out any bad patch panel connections or media convertors between the source and the destination. If possible, bypass the patch panel, or eliminate media convertors (fiber-optic-to-copper).
- Try the cable in another port to see if the problem follows the cable.

Ethernet and Fiber-Optic Cables

Make sure that you have the correct cable:

- For Ethernet, use Category 3 copper cable for 10 Mb/s UTP connections. Use either Category 5, Category 5e, or Category 6 UTP for 10/100 or 10/100/1000 Mb/s connections.
- Verify that you have the correct fiber-optic cable for the distance and port type. Make sure that the connected device ports match and use the same type encoding, optical frequency, and fiber type.
- Determine if a copper crossover cable was used when a straight-through was required or the reverse. Enable auto-MDIX on the switch, or replace the cable. See [Table 2-1](#) for recommended Ethernet cables.

Link Status

Verify that both sides have link. A broken wire or a shutdown port can cause one side to show link even though the other side does not have link.

A port LED that is on does not guarantee that the cable is functional. It might have encountered physical stress, causing it to function at a marginal level. If the port LED does not turn on:

- Connect the cable from the switch to a known good device.

- Make sure that both ends of the cable are connected to the correct ports.
- Verify that both devices have power.
- Verify that you are using the correct cable type. See the “[Connector and Cable Specifications](#)” section on page B-1 for information.
- Look for loose connections. Sometimes a cable appears to be seated but is not. Disconnect the cable, and then reconnect it.

10/100 and 10/100/1000 Port Connections

A port appears to malfunction:

- Verify the status of all ports. See [Table 1-8 on page 1-11](#) for descriptions of the LEDs and their meanings.
- Use the **show interfaces** privileged EXEC command to see if the port is error-disabled, disabled, or shut down. Re-enable the port if necessary.
- Verify the cable type. See the “[Connector and Cable Specifications](#)” section on page B-1

10/100 PoE+ Port Connections

A powered device connected to a PoE+ port does not receive power:

- Verify the status of all the ports. See [Table 1-8](#) for descriptions of the LEDs and their meanings.
- Use the **show interfaces** privileged EXEC command to see if the port is error-disabled, disabled, or shutdown. Re-enable the port if necessary.
- Verify the cable type. Many legacy powered devices, including older Cisco IP phones and access points that do not fully support IEEE 802.3af or IEEE 802 (PoE and PoE+ standards) might not support PoE or PoE+ when connected to the switch by a crossover cable. Replace the crossover cable with a straight-through cable.



Caution

Noncompliant cabling or powered devices can cause a PoE or PoE+ port fault. Use only compliant cabling to connect Cisco prestandard IP Phones, and wireless access points, IEEE 802.3af or IEEE 802.3at-compliant devices.

SFP Module

Use only Cisco SFP modules. Each Cisco module has an internal serial EEPROM that is encoded with security information. This encoding verifies that the module meets the requirements for the switch.

- Inspect the SFP module. Exchange the suspect module with a known good module.
- Verify that the module is supported on this platform. (The switch release notes on Cisco.com list the SFP modules that the switch supports.)
- Use the **show interfaces** privileged EXEC command to see if the port or module is error-disabled, disabled, or shutdown. Re-enable the port if needed.
- Make sure that all fiber-optic connections are clean and securely connected.

Interface Settings

Verify that the interface is not disabled or powered off. If an interface is manually shut down on either side of the link, it does not come up until you re-enable the interface. Use the **show interfaces** privileged EXEC command to see if the interface is error-disabled, disabled, or shut down on either side of the connection. If needed, re-enable the interface.

Ping End Device

Ping from the directly connected switch first, and then work your way back port by port, interface by interface, trunk by trunk, until you find the source of the connectivity issue. Make sure that each switch can identify the end device MAC address in its Content-Addressable Memory (CAM) table.

Spanning Tree Loops

STP loops can cause serious performance issues that look like port or interface problems.

A unidirectional link can cause loops. It occurs when the traffic sent by the switch is received by the neighbor, but the traffic from the neighbor is not received by the switch. A broken cable, other cabling problems, or a port issue could cause this one-way communication.

You can enable UniDirectional Link Detection (UDLD) on the switch to help identify unidirectional link problems. For information about enabling UDLD on the switch, see the “Understanding UDLD” section in the switch software configuration guide on Cisco.com.

Switch Performance

- [Speed, Duplex, and Auto-Negotiation, page 4-4](#)
- [Auto-Negotiation and Network Interface Cards, page 4-5](#)
- [Cabling Distance, page 4-5](#)

Speed, Duplex, and Auto-Negotiation

Port statistics that show a large amount of alignment errors, Frame Check Sequence (FCS), or late collisions errors, might mean a speed or duplex mismatch.

A common issue occurs when duplex and speed settings are mismatched between two switches, between a switch and a router, or between the switch and a workstation or server. Mismatches can happen when manually setting the speed and duplex or from auto-negotiation issues between the two devices.

To maximize switch performance and to ensure a link, follow one of these guidelines when changing the duplex or the speed settings.

- Let both ports autonegotiate both speed and duplex.
- Manually set the speed and duplex parameters for the interfaces on both ends of the connection.
- If a remote device does not autonegotiate, use the same duplex settings on the two ports. The speed parameter adjusts itself even if the connected port does not autonegotiate.

Auto-Negotiation and Network Interface Cards

Problems sometimes occur between the switch and third-party network interface cards (NICs). By default, the switch ports and interfaces autonegotiate. Laptops or other devices are commonly set to autonegotiate, yet sometimes issues occur.

To troubleshoot auto-negotiation problems, try manually setting both sides of the connection. If this does not solve the problem, there could be a problem with the firmware or software on the NIC. You can resolve this by upgrading the NIC driver to the latest version.

Cabling Distance

If the port statistics show excessive FCS, late-collision, or alignment errors, verify that the cable distance from the switch to the connected device meets the recommended guidelines. See the [“Cables and Adapters”](#) section on page B-4.

Resetting the Switch to the Factory Default Settings

Follow these steps to return your switch to the factory default settings.



Note

Resetting the switch deletes the configuration and reboots the switch.

To reset the switch:

1. At the switch prompt, enter **enable**, and press **Return** or **Enter**.
2. At the Privileged EXEC prompt, `switch#`, enter **setup** and press **Return** or **Enter**.

The switch displays the prompt to run the initial configuration dialog. See the “[Configuring the Switch with the CLI Setup Program](#)” section on page C-1

Finding the Switch Serial Number

If you contact Cisco Technical Assistance, you need to know the switch serial number. [Figure 4-1](#) and [Figure 4-2](#) show the serial number locations. You can also use the **show version** privileged EXEC command to see the switch serial number.

Figure 4-1 Serial Number Location for Cisco CGS-2520-24TC and CGS-2520-16S-8PC Switches

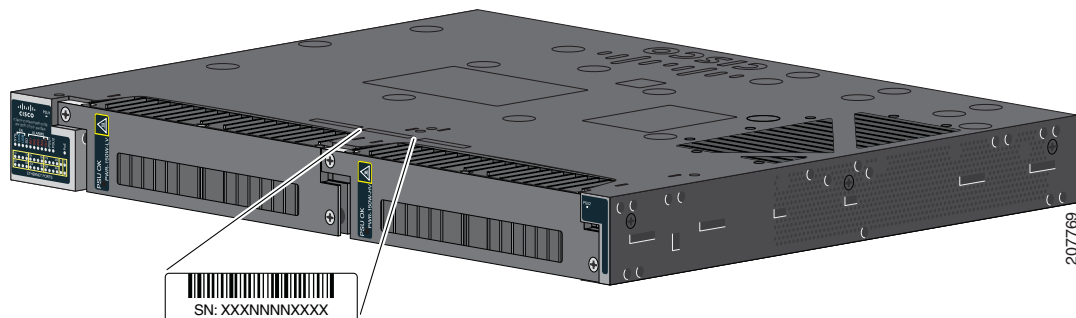
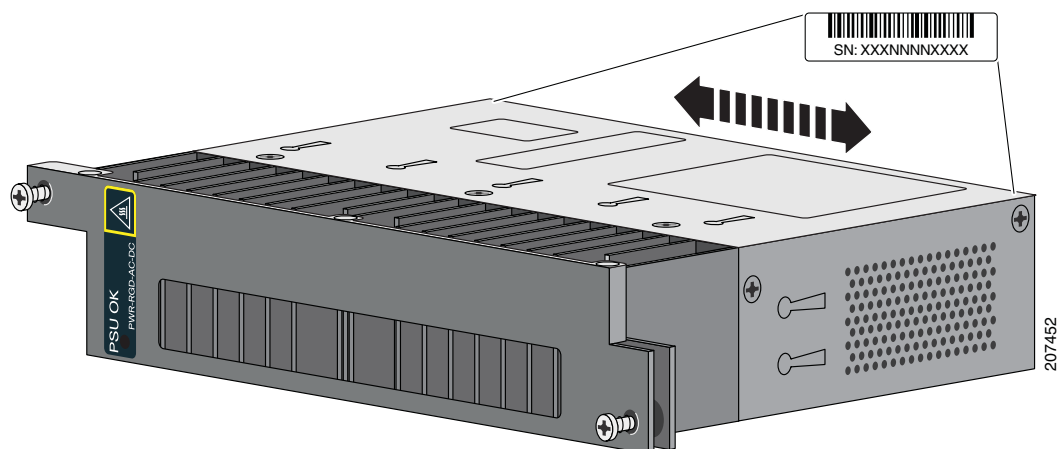


Figure 4-2 Serial Number Location for the Power Supply Modules





Technical Specifications

This appendix contains the following topics:

- [Switch Specifications, page A-1](#)
- [Power Supply Module Specifications, page A-4](#)

Switch Specifications

Table A-1 Environmental and Physical Specifications

Environmental Ranges	
Operating temperature	−40 to 140°F (−40 to 60°C) ¹
Storage temperature	−40 to 185°F (−40 to 85°C)
Relative humidity	5 to 95% (noncondensing)
Operating altitude	Up to 10,000 ft (3049 m)
Storage altitude	Up to 15,000 ft (4570 m)
Thermal spacing	1.75 in. (4.4 cm)
Operating shock	30 g at 11 ms
Physical Specifications	
Weight:	
Cisco CGS-2520-24TC	9.1 lb (4.1 kg) (no power supply module)
Cisco CGS-2520-16S-8PC	10 lb (4.5 kg) (no power supply module)
Dimensions (H x D x W):	
Cisco CGS-2520-24TC	1.75 x 17.5 x 14.0 in. (4.45 x 44.5 x 35.6 cm)
Cisco CGS-2520-16S-8PC	1.75 x 17.5 x 14.0 in. (4.45 x 44.5 x 35.6 cm)

1. The maximum operating temperature of the switch varies depending on the type of SFP module that you use. See [Table 1-2 on page 1-6](#) for information on the supported temperature ranges for the SFPs.

Table A-2 Specifications for the Cisco CGS-2520-16S-8PC Switch (PWR-RGD-AC-DC)

Power Requirements	
Nominal input voltage	100 to 240 VAC, 50 to 60 Hz 100 to 250 VDC
Absolute maximum (short term) input voltage	85 to 265 VAC, 47 to 63 Hz 88 to 300 VDC
Power consumption with one PWR-RGD-AC-DC power supply module	AC: 147 BTUs per hour 43.2 W Power rating: 0.044 KVA@115 V
	DC: 137 BTUs per hour 40.3 W Power rating: 0.0403 KVA@125 VDC
Power consumption with one PWR-RGD-AC-DC power supply module (with PoE on 4 ports)	AC: 376 BTUs per hour 110.1 W Power rating 0.11 KVA@115 V
	DC: 375 BTUs per hour 109.8 W Power rating: 0.109 KVA@125 VDC
Power consumption with two PWR-RGD-AC-DC power supply modules	AC: 166 BTUs per hour 48.8 W Power rating: 0.051 KVA@115 V
	DC: 167 BTUs per hour 48.9 W Power rating: 0.0489 KVA@125 VDC
Power consumption with two PWR-RGD-AC-DC power supply modules (with PoE on 8 ports)	AC: 628 BTUs per hour 184.1 W Power rating: 0.185 KVA@115 V
	DC: 622 BTUs per hour 182.2 W Power rating: 0.182 KVA@125 VDC

Table A-3 Specifications for the Cisco CGS-2520-16S-8PC Switch (PWR-RGD-LOW-DC)

Power Requirements	
Nominal input voltage	24 to 60 VDC
Absolute maximum (short term) input voltage	18 to 75 VDC
Power consumption with one PWR-RGD-LOW-DC power-supply module	34.2W, 116 BTU per hour, power rating 0.034 KVA @ 24Vdc
Power consumption with one PWR-RGD-LOW-DC power-supply module with 4 ports PoE	106W, 363 BTU per hour, power rating 0.106KVA @ 24Vdc

Table A-3 Specifications for the Cisco CGS-2520-16S-8PC Switch (PWR-RGD-LOW-DC)

Power consumption with two PWR-RGD-LOW-DC power-supply modules	37.1W, 127 BTU per hour, power rating 0.037 KVA @ 24Vdc
Power consumption with two PWR-RGD-LOW-DC power-supply modules with 8 ports PoE	181.9W, 622 BTU per hour, power rating 0.182 KVA @ 24Vdc

Table A-4 Specifications for the Cisco CGS-2520-24TC Switch (PWR-RGD-AC-DC)

Power Requirements	
Nominal input voltage	100 to 240 VAC, 50 to 60 Hz 100 to 250 VDC
Absolute maximum (short term) input voltage	85 to 265 VAC, 47 to 63 Hz 88 to 300 VDC
Power consumption with one PWR-RGD-AC-DC power supply module	AC: 102 BTUs per hour 29.8 W Power rating: 0.031 KVA@115 V
	DC: 98 BTUs per hour 28.6 W Power rating: 0.0286 KVA@125 VDC
Power consumption with two PWR-RGD-AC-DC power supply modules	AC: 121 BTUs per hour 35.5 W Power rating: 0.0367 KVA@115 V
	DC: 117 BTUs per hour 34.4 W Power rating: 0.0344 KVA@125 VDC

Table A-5 Specifications for the Cisco CGS-2520-24TC Switch (PWR-RGD-LOW-DC)

Power Requirements	
Nominal input voltage	24 to 60 VDC
Absolute maximum (short term) input voltage	18 to 75 VDC
Power consumption with one PWR-RGD-LOW-DC power-supply module	26.8W, 92 BTU per hour, power rating 0.027 KVA @24Vdc
Power consumption with two PWR-RGD-LOW-DC power-supply modules	30.7W, 105 BTU per hour, power rating 0.030 KVA @24Vdc

Power Supply Module Specifications

Table A-6 Environmental and Physical Specifications for the AC- and DC-Power Supply Modules

Environmental Ranges	
Operating temperature	–40 to 140°F (–40 to 60°C)
Storage temperature	–49 to 185°F (–45 to 85°C)
Relative humidity	5 to 95% (noncondensing)
Altitude	Up to 10,000 ft (3049 m)
Physical Specifications	
Weight	
PWR-RGD-AC-DC	2.55 lb (1.15 kg)
PWR-RGD-LOW-DC	2.5 lb (1.13 kg)
PWR-RGD-AC-DC-C	2.55 lb (1.15 kg)
Dimensions (H x W x D)	
PWR-RGD-AC-DC and PWR-RGD-LOW-DC	1.58 x 7 x 5 in. (4 x 17.8 x 12.7 cm) (without mounting flanges) 1.58 x 8.15 x 5 in. (4 x 20.7 x 12.7 cm) (with mounting flanges)

Table A-7 Specifications for the PWR-RGD-AC-DC Power Supply Module

Power Specifications	
Maximum output power	150 W
Nominal input voltage	100 to 240 VAC, 50 to 60 Hz 100 to 250 VDC
Absolute maximum (short term) input voltage	85 to 265 VAC, 47 to 63 Hz 88 to 300 VDC
Input current	AC: 2.2 to 0.7 A, 85 to 265 VAC DC: 2.5 to 0.6 A, 88 to 300 VDC
Total input BTU	AC: 638 BTUs per hour DC: 750 BTUs per hour

Table A-8 Specifications for the PWR-RGD-LOW-DC Power Supply Module

Power Specifications	
Maximum output power	150 W
Nominal input voltage	24 to 60 VDC
Absolute maximum (short term) input voltage	18 to 75 VDC
Input current	12 to 2.5 A, 18 to 75 VDC
Total output BTU	737 BTUs per hour



Connector and Cable Specifications

This appendix contains the following topics:

- [Connector Specifications, page B-1](#)
- [Cables and Adapters, page B-4](#)

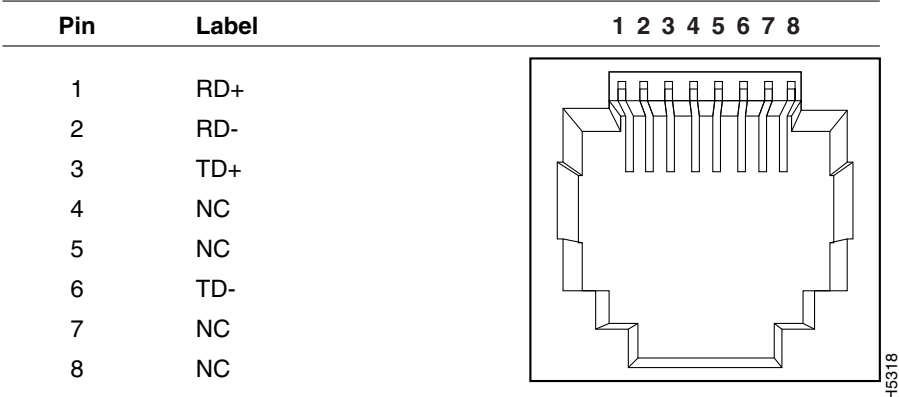
Connector Specifications

- [10/100 Ethernet Ports, page B-1](#)
- [SFP Module Connectors, page B-2](#)
- [Dual-Purpose Ports, page B-3](#)
- [Alarm Port, page B-3](#)

10/100 Ethernet Ports

The 10/100 Ethernet ports use standard RJ-45 connectors and Ethernet pinouts with internal crossovers. These ports have the send (TD) and receive (RD) signals internally crossed so that a twisted-pair straight-through cable and adapter can be attached.

Figure B-1 10/100 Port Pinouts



H5318

When connecting 10/100 ports to devices such as servers, workstations, and routers, you can use a two or four twisted-pair straight-through cable wired for 10BASE-T and 100BASE-TX. [Figure B-5](#) shows the two twisted-pair straight-through cable schematics. [Figure B-7](#) shows the four twisted-pair straight-through cable schematics.

When connecting the ports to other devices, such as switches or repeaters, you can use a two or four twisted-pair crossover cable. [Figure B-6](#) shows the two twisted-pair crossover cable schematics. [Figure B-8](#) shows the four twisted-pair crossover cable schematics.

If auto-MDIX is disabled, use a straight-through cable to connect ports when only one port is labeled with an X. Use a crossover cable to connect ports when both ports are labeled with an X or when both ports are not labeled with an X.

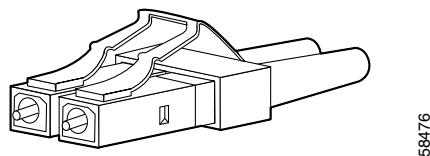
You can use Category 3, 4, or 5 cabling when connecting to 10BASE-T-compatible devices. You must use Category 5 (or higher) cabling when connecting to 100BASE-TX-compatible devices.

**Note**

You can use the **mdix auto** interface configuration command in the CLI to enable the automatic medium-dependent interface crossover (auto-MDIX) feature. When the auto-MDIX feature is enabled, the switch detects the required cable type for copper Ethernet connections and configures the interfaces accordingly. Therefore, you can use either a crossover or a straight-through cable for connections to a copper 10/100, 10/100/1000, or 1000BASE-T SFP module port on the switch, regardless of the type of device on the other end of the connection.

SFP Module Connectors

Figure B-2 Fiber-Optic SFP Module LC Connector

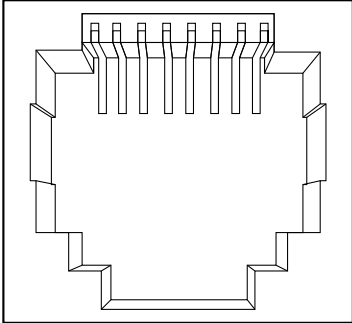
**Warning**

Invisible laser radiation may be emitted from disconnected fibers or connectors. Do not stare into beams or view directly with optical instruments. Statement 1051

Dual-Purpose Ports

The 10/100/1000 Ethernet ports on the dual-purpose ports use RJ-45 connectors.

Figure B-3 10/100/1000 Port Pinouts

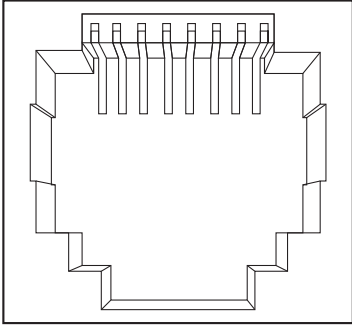
Pin	Label	1	2	3	4	5	6	7	8
1	TP0+								
2	TP0-								
3	TP1+								
4	TP2+								
5	TP2-								
6	TP1-								
7	TP3+								
8	TP3-								

60915

Alarm Port

The alarm port uses an RJ-45 connector. See the “Alarm Ports” section on page 1-7 for more information.

Figure B-4 Alarm Port Pinouts

Pin	Alarm connection	1	2	3	4	5	6	7	8
1	Alarm 1 input								
2	Alarm 2 input								
3	Normally closed								
4	Alarm 3 input								
5	Alarm 4 input								
6	Normally open								
7	Alarm output common								
8	Alarm input common								

207434

Alarm Ratings

The following lists the alarm rating information

- Alarm Input Electrical Specification: 8V @ 1mA
- Alarm Output Electrical Specification: 30V @ 1A



Note

Due to the RJ-45 design (connector pin spacing), the alarm output does not support AC voltage.

Cables and Adapters

- [SFP Module Cables, page B-4](#)
- [Cable Pinouts, page B-6](#)
- [Console Port Adapter Pinouts, page B-8](#)

SFP Module Cables

Each port must match the wave-length specifications on each end of the cable, and for reliable communications, the cable must not exceed the allowable length. Copper 1000BASE-T SFP transceivers use standard four twisted-pair, Category 5 (or greater) cable at lengths up to 328 feet (100 meters).


Note

The maximum operating temperature of the switch varies depending on the type of SFP module that you use. See [Table 1-2 on page 1-6](#) for information on the supported temperature ranges.

Table B-1 *Fiber-Optic SFP Module Port Cabling Specifications*

Type of SFP Module	Wavelength (nanometers)	Fiber Type	Core Size/Cladding Size (micron)	Modal Bandwidth (MHz/km) ¹	Cable Distance
Industrial and Rugged SFPs					
1000BASE-SX (GLC-SX-MM-RGD)	850	MMF	62.5/125 62.5/125 50/125 50/125	160 200 400 500	722 feet (220 m) 902 feet (275 m) 1640 feet (500 m) 1804 feet (550 m)
1000BASE-LX/LH (GLC-LX-SM-RGD)	1310	SMF	G.652 ²	—	32,810 feet (10 km)
100BASE-LX (GLC-FE-100LX-RGD)	1310	SMF	G.652 ²	—	32,810 feet (10 km)
100BASE-FX (GLC-FE-100FX-RGD)	1310	MMF	50/125 62.5/125	500 500	6,562 feet (2 km) 6,562 feet (2 km)
1000BASE-ZX (GLC-ZX-SM-RGD)	1550	SMF	G.652 ²	—	43.4 to 62 miles (70 to 100 km) ²
Commercial SFPs					
1000BASE-BX10-D (GLC-BX-D)	1490 TX 1310 RX	SMF	G.652 ³	—	32,810 feet (10 km)

Table B-1 *Fiber-Optic SFP Module Port Cabling Specifications (continued)*

Type of SFP Module	Wavelength (nanometers)	Fiber Type	Core Size/Cladding Size (micron)	Modal Bandwidth (MHz/km) ¹	Cable Distance
100BASE-LX (GLC-FE-100LX)	1310	SMF	G.652 ²	—	32,810 feet (10 km)
100BASE-BX (GLC-FE-100BX-D GLC-FE-100BX-U)	1310 TX 1550 RX	SMF	G.652 ²	—	32,810 feet (10 km)
100BASE-FX (GLC-FE-100FX)	1310	MMF	50/125 62.5/125	500 500	6,562 feet (2 km) 6,562 feet (2 km)
100BASE-EX (GLC-FE-100EX)	1310	SMF	G.652 ²	—	131,240 feet (40 km)
100BASE-ZX (GLC-FE-100ZX)	1550	SMF	G.652	—	262,480 feet (80 km)
CWDM	1470, 1490, 1510, 1530, 1550, 1570, 1590, 1610	SMF	G.652 ²	—	62 miles (100 km)

Table B-1 Fiber-Optic SFP Module Port Cabling Specifications (continued)

Type of SFP Module	Wavelength (nanometers)	Fiber Type	Core Size/Cladding Size (micron)	Modal Bandwidth (MHz/km) ¹	Cable Distance
Extended temperature SFPs					
100BASE LX/LH (SFP-GE-L)	1300	MMF or SMF	62.2 50 50 9/10	500 400 500 —	1804 feet (550 m) 1804 feet (550 m) 1804 feet (550 m) 6.2 miles (10 km)
100BASE SX (SFP-GE-S)	850	MMF	62.5 62.5 50.0 50.0	160 200 400 500	722 feet (220 m) 902 feet (275 m) 1640 feet (500 m) 1804 feet (550 m)
100BASE ZX (SFP-GE-Z)	1550	SMF SMF	9/10 8	—	43.5 miles (70 km) 62.1 miles (100 km)
100BASE EX (GLC-EX-SMD)	1310	SMF	G.652 ²	—	24.9 miles (40 km)

1. Modal bandwidth applies only to multimode fiber.
2. 1000BASE-ZX SFP modules can send data up to 62 miles (100 km) by using dispersion-shifted SMF or low-attenuation SMF; the distance depends on the fiber quality, the number of splices, and the connectors.
3. A mode-field diameter/cladding diameter = 9 micrometers/125 micrometers.

**Note**

When the fiber-optic cable span is less than 15.43 miles (25 km), insert a 5-decibel (dB) or 10-dB inline optical attenuator between the fiber-optic cable plant and the receiving port on the 1000BASE-ZX SFP module.

Cable Pinouts

Figure B-5 Two Twisted-Pair Straight-Through Cable Schematic for 10/100 Ports

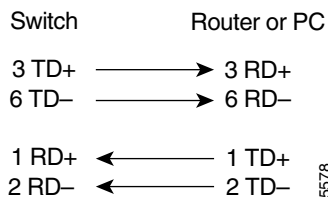


Figure B-6 Two Twisted-Pair Crossover Cable Schematic for 10/100 Ports

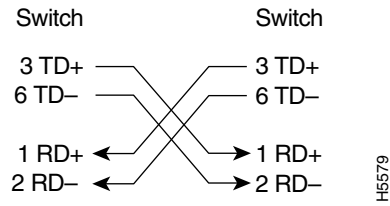


Figure B-7 Four Twisted-Pair Straight-Through Cable Schematic for 100BASE-T Ports

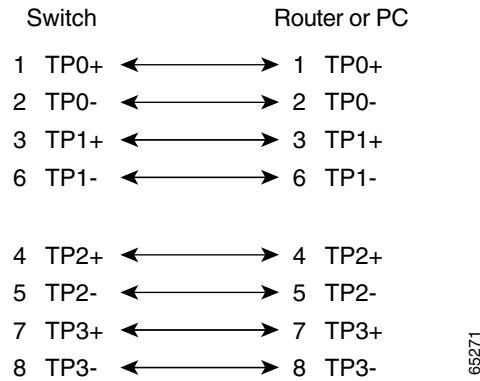
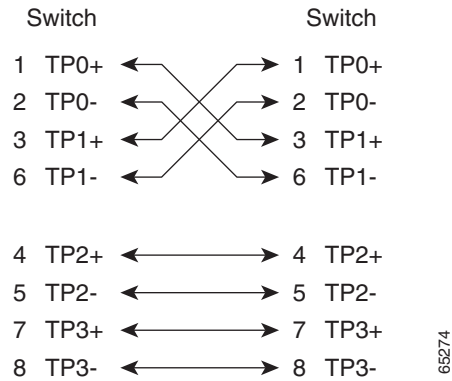
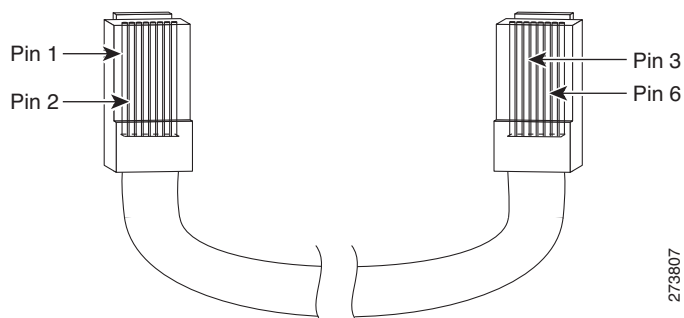


Figure B-8 Four Twisted-Pair Crossover Cable Schematics for 1000BASE-T Ports



To identify a crossover cable, hold the cable ends side-by-side, with the tab at the back. The wire connected to pin 1 on the left end should be the same color as the wire connected to pin 3 on the right end. The wire connected to pin 2 on the left end should be the same color as the wire connected to pin 6 on the right end.

Figure B-9 Identifying a Crossover Cable

Console Port Adapter Pinouts

The console port uses an 8-pin RJ-45 connector, which is described in [Table B-2](#) and [Table B-3](#). If you did not order a console cable, you need to provide an RJ-45-to-DB-9 adapter cable to connect the switch console port to a PC console port. You need to provide an RJ-45-to-DB-25 female DTE adapter if you want to connect the switch console port to a terminal. You can order an adapter (part number ACS-DSBUASYN=). For console port and adapter pinout information, see [Table B-2](#) and [Table B-3](#).

[Table B-2](#) lists the pinouts for the console port, the RJ-45-to-DB-9 adapter cable, and the console device.

Table B-2 Console Port Signaling Using a DB-9 Adapter

Switch Console Port (DTE)	RJ-45-to-DB-9 Terminal Adapter	Console Device
Signal	DB-9 Pin	Signal
RTS	8	CTS
DTR	6	DSR
TxD	2	RxD
GND	5	GND
RxD	3	TxD
DSR	4	DTR
CTS	7	RTS

[Table B-3](#) lists the pinouts for the switch console port, RJ-45-to-DB-25 female DTE adapter, and the console device.

**Note**

The RJ-45-to-DB-25 female DTE adapter is not supplied with the switch. You can order this adapter from Cisco (part number ACS-DSBUASYN=).

Table B-3 Console Port Signaling Using a DB-25 Adapter

Switch Console Port (DTE)	RJ-45-to-DB-25 Adapter	Console Device
Signal	DB-25 Pin	Signal
RTS	5	CTS
DTR	6	DSR
TxD	3	RxD
GND	7	GND
RxD	2	TxD
DSR	20	DTR
CTS	4	RTS



Configuring the Switch with the CLI Setup Program

This appendix provides a command-line interface (CLI) setup procedure for a standalone switch. To set up the switch by using Express Setup, see the *Cisco CGS 2520 Getting Started Guide*. Before connecting the switch to a power source, review the safety warnings in the “[Switch Installation](#)” section on page 2-1 and the “[Power Supply Module Installation](#)” section on page 3-2.

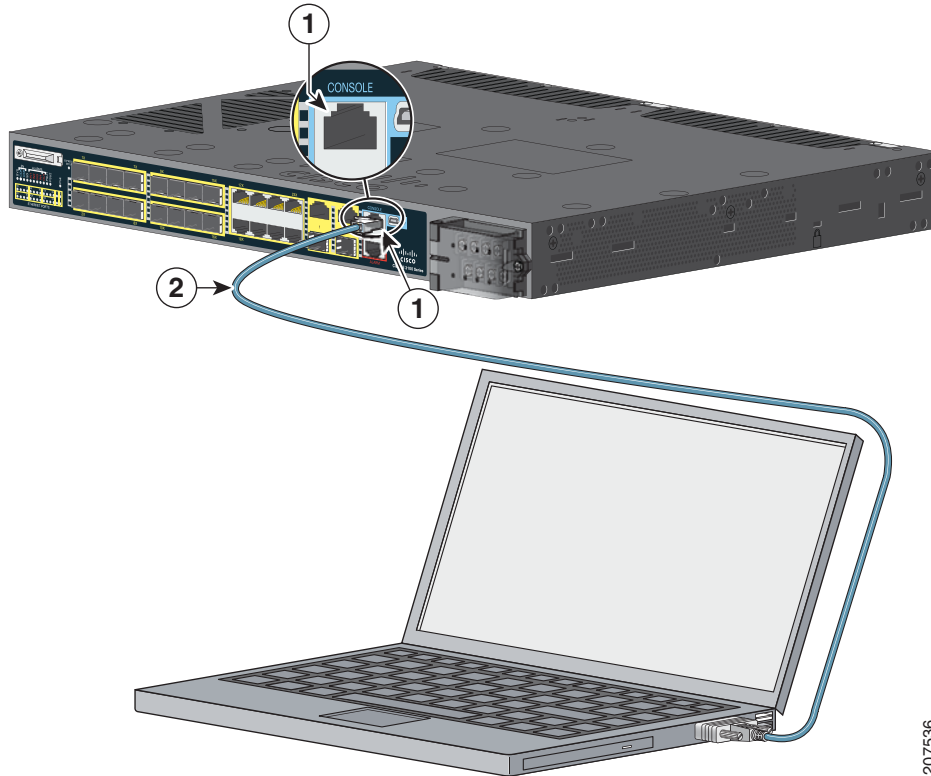
Accessing the CLI Through the Console Port

You can enter Cisco IOS commands and parameters through the CLI. Use one of these options to access the CLI:

- [RJ-45 Console Port, page C-1](#)
- [USB Console Port, page C-3](#)

RJ-45 Console Port

- Step 1** Connect the RJ-45-to-DB-9 adapter cable to the 9-pin serial port on the PC. Connect the other end of the cable to the switch console port.
- Step 2** Start the terminal-emulation program on the PC or the terminal. The program, frequently a PC application such as HyperTerminal or ProcommPlus, makes communication between the switch and your PC or terminal possible.

Figure C-1 Connecting the Console Cable

207536

1	RJ-45 console port	2	Console cable (RJ-45-to-DB-9 adapter cable)
----------	--------------------	----------	---

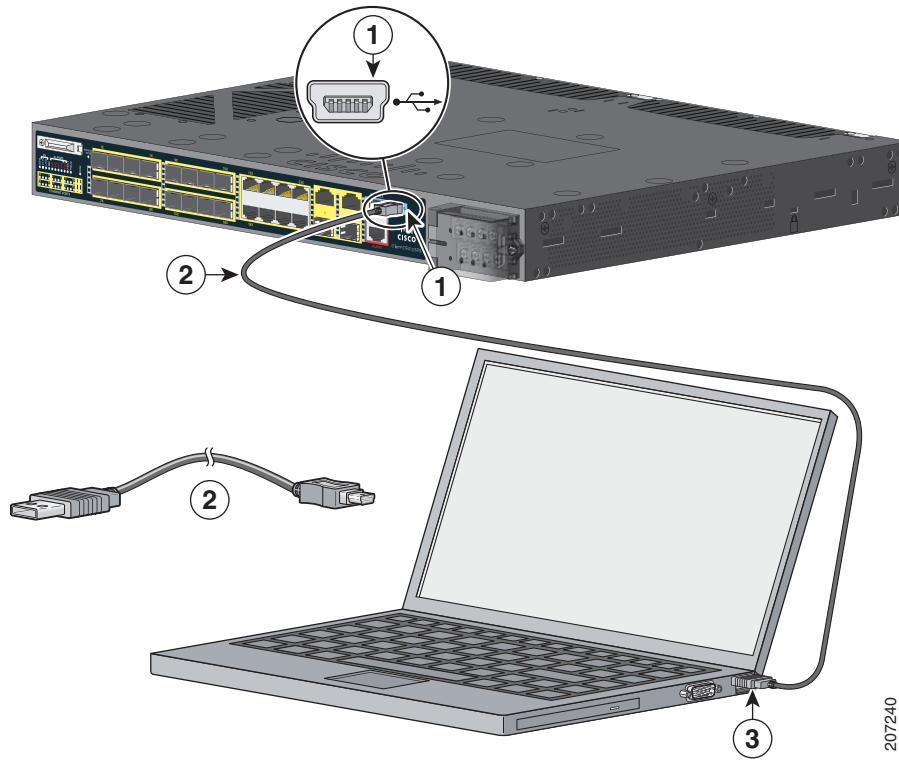
- Step 3** Configure the baud rate and character format of the PC or terminal to match the console port characteristics:
- 9600 baud
 - 8 data bits
 - 1 stop bit
 - No parity
 - None (flow control)
- Step 4** Connect power to the switch as described in the [“Power Supply Module Installation”](#) section on page 3-2.
- Step 5** The PC or terminal displays the bootloader sequence. Press **Enter** to display the setup prompt. Follow the steps in the [“Completing the Setup Program”](#) section on page C-7.

USB Console Port

Step 1 If you are connecting the switch USB console port to a Windows-based PC for the first time, install a USB driver. See [Figure C-2](#).

- [Installing the Cisco Microsoft Windows XP USB Driver, page C-4](#)
- [Installing the Cisco Microsoft Windows 2000 USB Driver, page C-4](#)
- [Installing the Cisco Microsoft Windows Vista USB Driver, page C-5](#)

Figure C-2 Connecting the USB Console Cable



1	USB console port	3	USB port on the PC
2	USB cable		

Step 2 Connect an USB cable to the PC USB port. Connect the other end of the cable to the switch mini-B (5-pin-connector) USB console port (see [Figure C-2](#)).

Step 3 To identify the COM port assigned to the USB console port:
 Choose **Start > Control Panel > Systems**
 Click the **Hardware** tab and choose **Device Manager**. Expand the **Ports** section. The assigned COM port appears in parenthesis at the end of the line with this entry: Cisco USB System Management Console.

Step 4 Start the terminal-emulation program on the PC or the terminal. The program, frequently a PC application such as HyperTerminal or ProcommPlus, makes communication possible between the switch and your PC or terminal.

- Step 5** Configure the COM port.
- Step 6** Configure the baud rate and character format of the PC or terminal to match the console port characteristics:
- 9600 baud
 - 8 data bits
 - 1 stop bit
 - No parity
 - None (flow control)
- Step 7** Connect power to the switch as described in the [“Power Supply Module Installation” section on page 3-2](#).
- Step 8** The PC or terminal displays the bootloader sequence. Press **Enter** to display the setup prompt. Follow the steps in the [“Completing the Setup Program” section on page C-7](#).
-

Installing the Cisco Microsoft Windows USB Device Drivers

Installing the Cisco Microsoft Windows XP USB Driver

- Step 1** Obtain the file Cisco_usbconsole_driver.zip from Cisco.com, and unzip it.



Note You can download the driver file from the Cisco.com software download site.

- Step 2** If using 32-bit Windows XP, double-click the setup.exe file in the Windows_32 folder. If using 64-bit Windows XP, double-click the setup(x64).exe file in the Windows_64 folder.
- Step 3** The Cisco Virtual Com InstallShield Wizard begins.
- Step 4** The Ready to Install the Program window appears. Click **Install**.
- Step 5** The InstallShield Wizard Completed window appears. Click **Finish**.
- Step 6** Connect the USB cable to the PC and to the switch console port. The USB console port LED turns green, and the Found New Hardware Wizard appears. Follow the instructions to complete the driver installation.
-

Installing the Cisco Microsoft Windows 2000 USB Driver

- Step 1** Obtain the file Cisco_usbconsole_driver.zip from Cisco.com, and unzip it.



Note You can download the driver file from the Cisco.com software download site.

- Step 2** Double-click the setup.exe file.
- Step 3** The Cisco Virtual Com InstallShield Wizard begins. Click **Next**.
- Step 4** The Ready to Install the Program window appears. Click **Install**.

- Step 5** The InstallShield Wizard Completed window appears. Click **Finish**.
- Step 6** Connect the USB cable to the PC and to the switch console port. The USB console port LED turns green, and the Found New Hardware Wizard appears. Follow the instructions to complete the driver installation.
-

Installing the Cisco Microsoft Windows Vista USB Driver

- Step 1** Obtain the file Cisco_usbconsole_driver.zip from Cisco.com, and unzip it.



Note You can download the driver file from the Cisco.com software download site.

- Step 2** If using 32-bit Windows Vista, double-click the setup.exe file in the Windows_32 folder. If using 64-bit Windows Vista, double-click the setup(x64).exe file in the Windows_64 folder.

- Step 3** The Cisco Virtual Com InstallShield Wizard begins. Click **Next**.

- Step 4** The Ready to Install the Program window appears. Click **Install**.



Note If a User Account Control warning appears, click *Allow - I trust this program*.

- Step 5** The InstallShield Wizard Completed window appears. Click **Finish**.

- Step 6** Connect the USB cable to the PC and to the switch console port. The USB console port LED turns green, and the Found New Hardware Wizard appears. Follow the instructions to complete the driver installation.
-

Uninstalling the Cisco Microsoft Windows USB Drivers

Uninstalling the Cisco Microsoft Windows XP and 2000 USB Driver

The driver can be removed with the Windows Add or Remove Programs utility or with the setup.exe file.

Using the Add or Remove Programs Utility



Note Disconnect the switch console terminal before uninstalling the driver.

- Step 1** Choose **Start > Control Panel > Add or Remove Programs**.

- Step 2** Scroll to Cisco Virtual Com, and click **Remove**.

- Step 3** When the Program Maintenance window appears, select the **Remove** radio button. Click **Next**.
-

Using the Setup.exe Program



Note Disconnect the switch console terminal before uninstalling the driver.

-
- Step 1** Run setup.exe for Windows 32-bit or setup(x64).exe for Windows-64-bit. Click **Next**.
- Step 2** The InstallShield Wizard for Cisco Virtual Com appears. Click **Next**.
- Step 3** When the Program Maintenance window appears, select the **Remove** radio button. Click **Next**.
- Step 4** When the Remove the Program window appears, click **Remove**.
- Step 5** When the InstallShield Wizard Completed window appears, click **Finish**.
-

Uninstalling the Cisco Microsoft Windows Vista USB Driver



Note Disconnect the switch console terminal before uninstalling the driver.

-
- Step 1** Run setup.exe for Windows 32-bit or setup(x64).exe for Windows-64bit. Click **Next**.
- Step 2** The InstallShield Wizard for Cisco Virtual Com appears. Click **Next**.
- Step 3** When the Program Maintenance window appears, select the **Remove** radio button. Click **Next**.
- Step 4** When the Remove the Program window appears, click **Remove**.



Note If a User Account Control warning appears, click *Allow - I trust this program* to proceed.

- Step 5** When the InstallShield Wizard Completed window appears, click **Finish**.
-

Entering the Initial Configuration Information

To set up the switch, you need to complete the setup program, which runs automatically after the switch powers on. You must assign an IP address and other configuration information necessary for the switch to communicate with the local routers and the Internet.

IP Settings

You need this information:

- Switch IP address
- Subnet mask (IP netmask)
- Default gateway (router)
- Enable secret password

- Enable password
- Telnet password

Completing the Setup Program

Follow these steps to complete the setup program and to create an initial configuration for the switch:

Step 1 Enter **Yes** at these two prompts.

```
Would you like to enter the initial configuration dialog? [yes/no]: yes
```

```
At any point you may enter a question mark '?' for help.  
Use ctrl-c to abort configuration dialog at any prompt.  
Default settings are in square brackets '['].
```

```
Basic management setup configures only enough connectivity  
for management of the system, extended setup will ask you  
to configure each interface on the system.
```

```
Would you like to enter basic management setup? [yes/no]: yes
```

Step 2 Enter a host name for the switch, and press **Return**.

On a command switch, the host name is limited to 28 characters and on a member switch to 31 characters. Do not use *-n*, where *n* is a number, as the last character in a host name for any switch.

```
Enter host name [Switch]: host_name
```

Step 3 Enter an enable secret password, and press **Return**.

The password can be from 1 to 25 alphanumeric characters, can start with a number, is case sensitive, allows spaces, but ignores leading spaces. The secret password is encrypted, and the enable password is in plain text.

```
Enter enable secret: secret_password
```

Step 4 Enter an enable password, and press **Return**.

```
Enter enable password: enable_password
```

Step 5 Enter a virtual terminal (Telnet) password, and press **Return**.

The password can be from 1 to 25 alphanumeric characters, is case sensitive, allows spaces, but ignores leading spaces.

```
Enter virtual terminal password: terminal-password
```

Step 6 (Optional) Configure Simple Network Management Protocol (SNMP) by responding to the prompts. You can also configure SNMP later through the CLI. To configure SNMP later, enter **no**.

```
Configure SNMP Network Management? [no]: no
```

Step 7 Enter the interface name (physical interface or VLAN name) of the interface that connects to the management network, and press **Return**. For this release, always use `vlan1` as that interface.

```
Enter interface name used to connect to the  
management network from the above interface summary: vlan1
```

- Step 8** Configure the interface by entering the switch IP address and subnet mask and pressing **Return**. The IP address and subnet masks shown below are examples.

```
Configuring interface vlan1:
Configure IP on this interface? [yes]: yes
IP address for this interface: 10.4.120.106
Subnet mask for this interface [255.0.0.0]: 255.0.0.0
```

- Step 9** Enter **Y** to configure the switch as the cluster command switch. Enter **N** to configure it as a member switch or as a standalone switch.

If you enter **N**, you can configure the switch as a command switch later through the CLI. To configure it later, enter **no**.

```
Would you like to enable as a cluster command switch? [yes/no]: no
```

You have completed the initial configuration of the switch, and the switch displays its configuration. This is an example of the configuration output:

```
The following configuration command script was created:
hostname switch1
enable secret 5 $1$U1q8$D1A/OiaEbl90WcBpd9cOn1
enable password enable_password
line vty 0 15
password terminal-password
no snmp-server
!
no ip routing

!
interface Vlan1
no shutdown
ip address 10.4.120.106 255.0.0.0
!
interface FastEthernet1/0/1
!
interface FastEthernet1/0/2

interface FastEthernet1/0/3
!
...<output abbreviated>
end
```

- Step 10** These choices appear:

```
[0] Go to the IOS command prompt without saving this config.
[1] Return back to the setup without saving this config.
[2] Save this configuration to nvram and exit.
```

If you want to save the configuration and use it the next time the switch reboots, select option 2 to save it in NVRAM.

```
Enter your selection [2]:2
```

Make your selection, and press **Return**.

After you complete the setup program, the switch can run the default configuration that you created. To change this configuration or to perform other management tasks, enter commands at the `Switch> prompt`.

Free Manuals Download Website

<http://myh66.com>

<http://usermanuals.us>

<http://www.somanuals.com>

<http://www.4manuals.cc>

<http://www.manual-lib.com>

<http://www.404manual.com>

<http://www.luxmanual.com>

<http://aubethermostatmanual.com>

Golf course search by state

<http://golfingnear.com>

Email search by domain

<http://emailbydomain.com>

Auto manuals search

<http://auto.somanuals.com>

TV manuals search

<http://tv.somanuals.com>