



GETTING STARTED GUIDE



Cisco 2500 Series Wireless Controller

May 2011

Revised June 2, 2011

- 1 [About This Guide](#)
- 2 [Unpacking and Preparing the Controller for Operation](#)
- 3 [Installing the Controller](#)
- 4 [Running the Bootup Script and Power-On Self Test](#)
- 5 [Logging into the Controller](#)
- 6 [Connecting to the Network](#)
- 7 [What's New in Cisco Product Documentation](#)
- 8 [Translated Safety Warnings](#)

1 About This Guide

This guide is designed to help you install and minimally configure your Cisco 2504 Wireless Controller (2504 controller), which is part of the Cisco 2500 Series Wireless Controllers.

FCC Safety Compliance Statement

This equipment has been tested and found to comply with the limits for a Class B digital device, pursuant to Part 15 of the FCC Rules. These limits are designed to provide reasonable protection against harmful interference in a residential installation. This equipment generates, uses, and can radiate radio frequency energy and, if not installed and used in accordance with the instructions, may cause harmful interference to radio communications. However, there is no guarantee that interference will not occur in a particular installation. If this equipment does cause harmful interference to radio or television reception, which can be determined by turning the equipment off and on.

Try to correct the interference by one or more of the following measures:

- Reorient or relocate the receiving antenna.
- Increase the separation between the equipment and receiver.
- Connect the equipment to an outlet on a circuit different from that to which the receiver is connected.
- Consult the dealer or an experienced radio/TV technician for help. (cfr reference 15.105)

Safety Information

Safety warnings appear throughout this guide in procedures that may harm you if performed incorrectly. A warning symbol precedes each warning statement. The warnings below are general warnings that are applicable to the entire guide. Translated versions of the safety warnings in this guide are provided in the [“Translated Safety Warnings” section on page 38](#).



Warning

This warning symbol means danger. You are in a situation that could cause bodily injury. Before you work on any equipment, be aware of the hazards involved with electrical circuitry and be familiar with standard practices for preventing accidents. Use the statement number provided at the end of each warning to locate its translation in the translated safety warnings that accompanied this device. Statement 1071

SAVE THESE INSTRUCTIONS

**Warning**

There is the danger of explosion if the battery is replaced incorrectly. Replace the battery only with the same or equivalent type recommended by the manufacturer. Dispose of used batteries according to the manufacturer's instructions. Statement 1015

**Warning**

This equipment must be grounded. Never defeat the ground conductor or operate the equipment in the absence of a suitably installed ground conductor. Contact the appropriate electrical inspection authority or an electrician if you are uncertain that suitable grounding is available. Statement 1024

**Warning**

Ultimate disposal of this product should be handled according to all national laws and regulations. Statement 1040

Safety Considerations

- Verify that the ambient temperature remains between 32 to 104° F (0 to 40° C), taking into account the elevated temperatures when installed in a rack or enclosed space.
- When multiple 2504 controllers are mounted in an equipment rack, be sure that the power source is sufficiently rated to safely run all the equipment in the rack (input: 100 to 240 VAC, 50–60 Hz, output: 80 W per controller).
- Verify the integrity of the electrical ground before installing the controller.

Introduction to the Controller

The 2504 controller works in conjunction with Cisco lightweight access points and the Cisco Wireless Control System (WCS) to provide system-wide wireless LAN functions. As a component of the Cisco Unified Wireless Network (CUWN), the 2504 controller provides real-time communication between wireless access points and other devices to deliver centralized security policies, guest access, Wireless Intrusion Prevention System (WIPS), context-aware (location), award-winning RF management, quality of services for mobility services such as voice and video, and OEAP support for the Teleworker solution.

The 2504 controllers supports up to 50 lightweight access points in increments of 5 access points with a minimum of 5 access points, making it a cost-effective solution for retail, enterprise branches, and small and medium-sized businesses. The 2504 controller comes with four 4 Gigabit Ethernet ports.



Note Direct connection of access points to Cisco 2500 Series Wireless Controllers are not currently supported.

The 2504 controller offers robust coverage with 802.11 a/b/g and delivers unprecedented reliability using 802.11n with Cisco Next-Generation Wireless Solutions and Cisco Enterprise Wireless Mesh.

To best use this guide, you should have already designed the wireless topology of your network and have a working knowledge of how controllers function in a wireless LAN network.

Figure 1 shows a 2504 controller network topology and network connections, showing the medium dependent interface (MDI) Ethernet cables required. The controller has an auto MDI feature, so you can use straight-through or crossover cables.

Figure 1 Typical Controller Topology and Network Connections

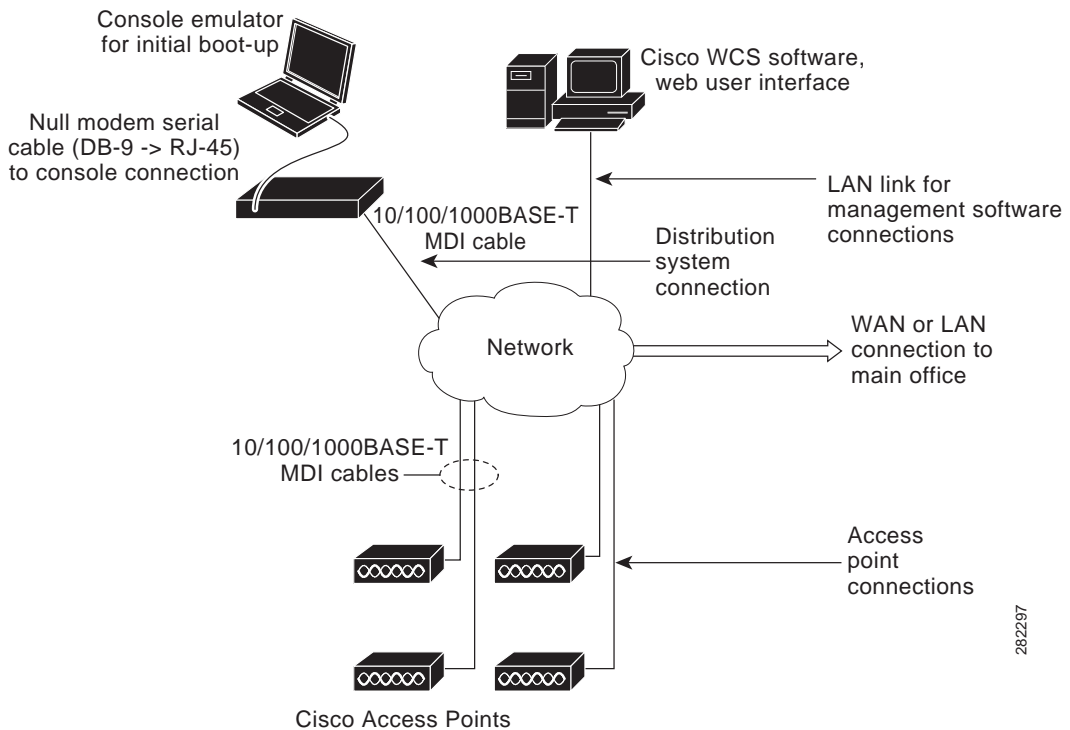


Figure 2 shows the front panel and location of the ports and light-emitting diodes (LEDs) for the 2504 controller. Table 1 describes the components of the front panel.



Note It is expected that there will be small variations in LED color intensity and hue from unit to unit. This is within the normal range of the LED manufacturer’s specifications and is not a defect.

Figure 2 Front Panel and LEDs

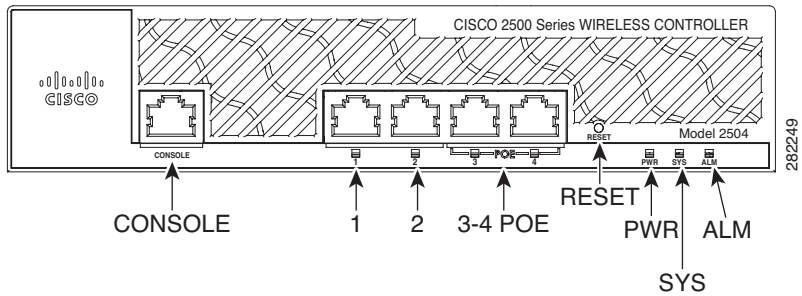



Table 1 WLC2504 Front Panel Component Descriptions

Callout	Port and LEDs	State and Description
CONSOLE	CPU console port	The CPU console port is an RS-232 port that supports a RJ-45 connector. At boot-up the controller configures the RS-232 port as a console port with default settings of 9600, N, 8, 1. The boot-loader supports baud rates of 1200, 2400, 4800, 9600, 19200, 38400, 57600, and 115200. A default baud-rate recovery mechanism is not available; however the bootloader ensures that the stored baud rate setting matches one of the allowed values before setting the baud rate. If a nonstandard value is detected the baud rate will default to 9600.

Callout	Port and LEDs	State and Description
1	GigE port and LED	<p>The Gigabit Ethernet port is an RJ-45 connector form-factor. This port is designed so that 1500 VAC rms isolation (per the 802.3 specification) is met between chassis ground and any 48V/Ethernet signal.</p> <p>LED description:</p> <ul style="list-style-type: none"> • Green or Blinking Green—Link activity • Off—No link
2	GigE port and LED	<p>The Gigabit Ethernet port is an RJ-45 connector form-factor. This port is designed so that 1500 VAC rms isolation (per the 802.3 specification) is met between chassis ground and any 48V/Ethernet signal.</p> <p>LED description:</p> <ul style="list-style-type: none"> • Green or Blinking Green—Link activity • Off—No link
3 & 4 POE	GigE Power-over-Ethernet (POE) ports	<p>The Gigabit POE ports are RJ-45 connector form-factor. They provide a I2C communications channel between the PSE controller and host CPU TWSI bus #1. This interface supports the proper voltage isolation as defined by 802.3. The POE controller is configured to I2C address 0x40/41 (0100 000r/w).</p> <p>The POE controller reset is driven from system reset. If software needs to reset the POE controller, it can do so over I2C.</p> <p>LED description:</p> <ul style="list-style-type: none"> • Green or Blinking Green—Link activity • Off—No link <p> Note Ports 3 and 4 are PoE only ports; do not connect access point devices to these ports. The ports can be used for infra-switch connection using multiple an AP-Manager or data interface.</p>

Callout	Port and LEDs	State and Description
RESET	Reset button	Pushing the Reset button reboots the system.
PWR	Power LED	The power LED light is on when all the power conversion circuits are running normally. LED description: <ul style="list-style-type: none"> • Green—Power is on • Off—No power to the system
SYS	System LED	The system LED determines if the system is powered up. LED description: <ul style="list-style-type: none"> • Blinking Amber—Boot-loader is active and waiting for user input from the system console. • Blinking Green—Boot-loader or booting. • Green—Normal System Operation. • Amber—System failed the bootup process or an error caused the system to halt. A status or error message is posted on the console screen. • Off—System not receiving power.
ALM	Alarm LED	The alarm LED determines a status or error occurred. The status or error is posted on the console screen. LED description: <ul style="list-style-type: none"> • Blinking Green—Controller image upgrading. • Amber—Controller status activity, such as firmware upgrade. • Blinking Amber—Controller error. For example, a temperature error exists.



Caution

Do not connect a Power over Ethernet (PoE) cable to the console port. Doing so will damage the controller.



Note Wait at least 20 seconds before reconnecting an access point to the controller. Otherwise, the controller may fail to detect the device.

Figure 3 shows the back panel and identifies its components. Table 2 describes the back panel components.

Figure 3 Controller Back Panel and Components

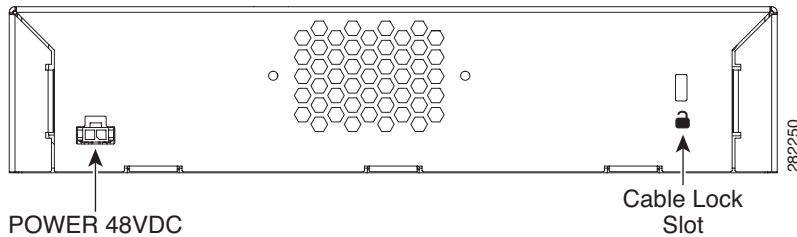



Table 2 Controller Back Panel and Component Descriptions

Ports and Slots	State and Description
POWER 48VDC	<p>The 48 V input power is provided via an external AC/DC adapter. Power is provided to the system board from the 48 VDC input. There is enough power available to power the system board plus two 802.3af PoE devices.</p> <p> Note The Cisco 2106 power adapter is not compatible with a 2504 controller.</p>
Cable Lock slot	Security locking slot.

2 Unpacking and Preparing the Controller for Operation

Follow these steps to unpack the 2504 controller and prepare it for operation:

-
- Step 1** Open the shipping container and carefully remove the contents.
 - Step 2** Return all packing materials to the shipping container and save it.
 - Step 3** Ensure that all items listed in the “Package Contents” section are included in the shipment. Check each item for damage. If any item is damaged or missing, notify your authorized Cisco sales representative.
-

Package Contents

Each 2504 controller package contains the following items:

- One Cisco 2504 Wireless Controller.
- One Power supply and power cord (power cord option configurable).
- Cisco 2504 Wireless Controller software pre-loaded on the controller (software option configurable).
- Optional licenses will be pre-installed on controller at factory, if selected.
- Two Number 6 Phillips pan-head screws for mounting the controller on a desk, shelf, or wall.
- Two wall anchors.
- Strain relief clip and screw.
- Optional hardware will be included, if selected.

Required Tools and Information

You will need the following tools and information before you can install the controller:

- Wireless controller hardware
 - Controller with factory-supplied power cord and mounting hardware
 - Network, operating system service network, and access point cables as required
- Command-line interface (CLI) console
 - VT-100 terminal emulator on CLI console (PC, laptop, or palmtop)
 - Null modem serial cable to connect CLI console and controller

- Local TFTP server (required for downloading operating system software updates). Cisco uses an integral TFTP server. This means that third-party TFTP servers cannot run on the same workstation as the Cisco WCS because Cisco WCS and third-party TFTP servers use the same communication port.

Initial System Configuration Information

Obtain the following initial configuration parameters from your wireless LAN or network administrator:

- A system (controller name), such as *controller*. The system name can contain up to 32 printable ASCII characters.
- An administrative username and password, which can contain up to 24 printable ASCII characters.



Note You must enter a username and password and the configured username and password cannot be the same.

- A management interface (DS Port or network interface port) IP address, such as *10.40.0.4*.
- A management interface netmask address, such as *255.255.255.0*.
- A management interface default router IP address, such as *10.40.0.5*.
- A VLAN identifier if the management interface is assigned to a VLAN, such as *40* or *0* for an untagged VLAN.
- A management interface port, such as *1*.
- A management interface DHCP server IP address, such as *10.40.0.6* (the IP address of the default DHCP server that will supply IP addresses to clients and the management interface).
- A virtual gateway IP address (a fictitious, unassigned IP address, such as *1.1.1.1*, used by all Cisco wireless controller Layer 3 security and mobility managers).
- A Cisco wireless controller mobility or RF group name, such as *rfggrp40* if required. An RF group name can contain up to 19 printable ASCII characters.
- An 802.11 network name (SSID), such as *wlan1*. An SSID can contain up to 32 printable, case-sensitive ASCII characters.
- DHCP bridging
- Whether or not to allow static IP addresses from clients, either *Yes* or *No*.
 - *Yes* is more convenient, but has lower security (session can be hijacked).
 - *No* is less convenient, but has higher security and works well for Windows XP devices.

- RADIUS server IP address, communications port, and secret if you are configuring a RADIUS server, such as **10.40.0.3**, **1812**, and **mysecretcode**.
- The country code for this installation. Enter **help** to see a list or refer to the *Cisco Wireless LAN Controller Configuration Guide* for country code information. This guide is available at cisco.com.
- Status of the 802.11a, 802.11b, 802.11g, or 802.11n networks, either **enabled** or **disabled**.
- Status of Radio Resource Management (RRM), either **enabled** or **disabled**.

Choosing a Physical Location

You can install the controller almost anywhere, but it is more secure and reliable if you install it in a secure equipment room or wiring closet. For maximum reliability, mount the controller while following these guidelines:

- Make sure you can reach the controller and all cables attached to it.
- Make sure that water or excessive moisture cannot get into the controller.
- Make sure that airflow through the controller is not obstructed. Leave at least 4 in. (10 cm) clear on both sides and rear of the controller.
- Verify that the ambient temperature remains between 32 to 104° F (0 to 40° C).
- Make sure that the controller is within 328 ft. (100 m) of equipment connected to the 10/100/1000 Mb/s Ethernet ports.
- Make sure that the power cord can reach a 100 to 240 VAC grounded electrical outlet.

3 Installing the Controller

This section includes the following installation procedures:

- [Mounting the Controller, page 11](#)
- [Connecting the Controller Console Port, page 21](#)
- [Securing the Power Adapter Cable, page 21](#)
- [Installing a Security Lock, page 23](#)

Mounting the Controller

This section includes the following mounting procedures:

- [Mounting the Controller on a Desktop or Shelf](#)

- [Mounting the Controller on a Wall \(Rack-Mount Brackets\)](#)
- [Mounting the Controller on a Wall \(Mounting Screws\)](#)
- [Mounting the Controller in a Rack](#)

Mounting the Controller on a Desktop or Shelf

Before mounting the controller on a desktop or shelf, install the rubber feet located in accessory kit shipped with the controller.

To install the rubber feet to the controller, follow these steps:

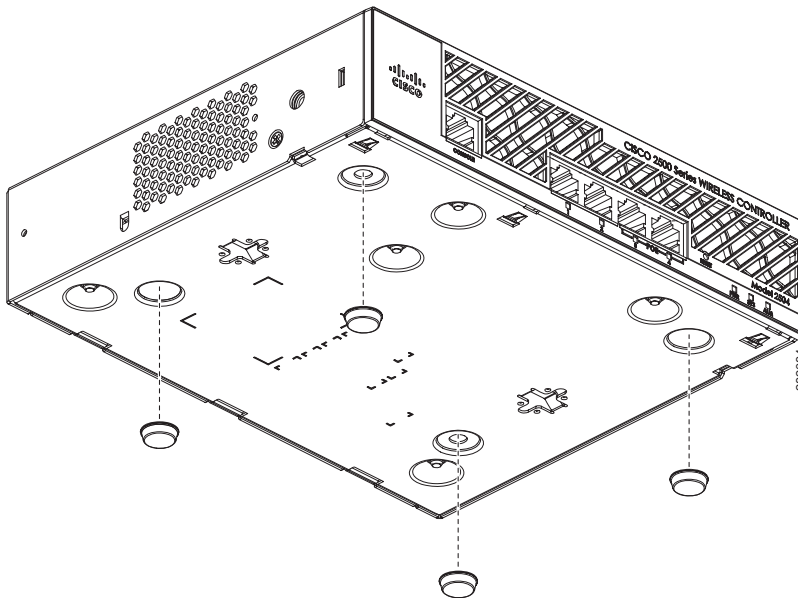
-
- Step 1** Locate the adhesive strip with the rubber feet in the mounting-kit envelope.
- Step 2** Remove the four rubber feet from the adhesive strip and attach the feet to the recessed areas on the bottom of the unit as shown in [Figure 4](#).



Note

We strongly recommend that you attach the rubber feet. Doing so helps prevent airflow restriction and overheating.

Figure 4 *Installing the Rubber Feet on the Bottom of the Controller*



Step 3 Place the switch on the table or shelf near an AC power source.



Note Allow 3 inches of space around the controller ventilation openings to prevent airflow restriction and overheating.

Step 4 After the controller is mounted on a shelf or desk, perform the following tasks to complete the installation:

- [Connecting the Controller Console Port](#)
- [Securing the Power Adapter Cable](#)
- [Connecting to the Network](#)

Step 5 For configuration instructions about using the CLI setup program, see the [“Running the Bootup Script and Power-On Self Test”](#) section on page 23.

Mounting the Controller on a Wall (Rack-Mount Brackets)

The controller can be mounted on a wall using an optional rack-mount bracket kit that is not included with the controller. You can order a kit with 19-inch rack mounting brackets and hardware from Cisco. The kit part number is AIR-CT2504-RMNT.

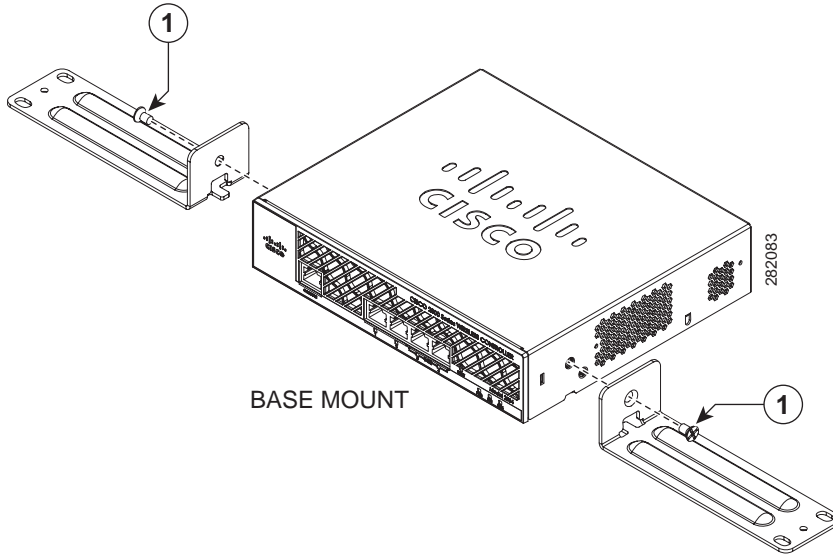


Warning **Read the wall-mounting carefully before beginning installation. Failure to use the correct hardware or to follow the correct procedures could result in a hazardous situation to people and damage to the system.** Statement 378

To mount the controller on a wall using rack-mount brackets, follow these steps:

Step 1 Attach the 19-inch brackets to each side of the 2504 controller as shown in [Figure 5](#) with #10-32 flat head screws provided in the kit.

Figure 5 Installing the Rack-Mount Brackets to the Sides of the Controller

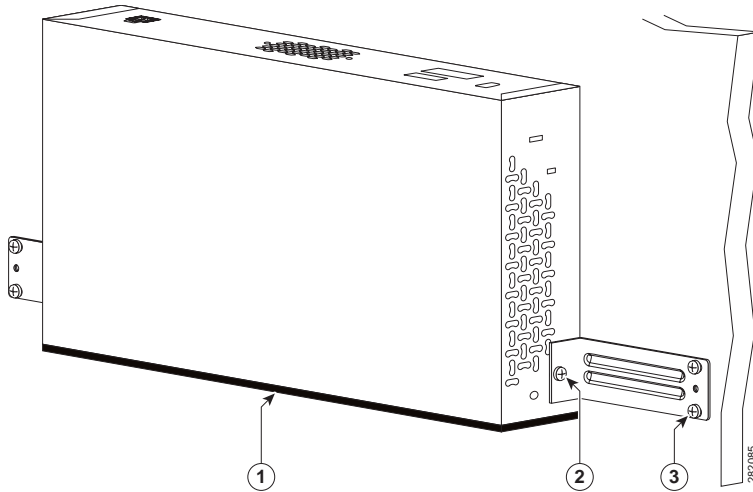


-
- | | |
|----------|---|
| 1 | #10-32 flat head screws (mounting screws for each side of the controller) |
|----------|---|
-

Step 2 Mount the 2504 controller on the wall with the front panel facing down, as shown [Figure 6](#).

For the best support of the controller and cables, make sure the controller is attached securely to wall studs or to a firmly attached plywood mounting backboard.

Figure 6 Mounting the Controller on the Wall



1	Front panel (facing down)	3	Wall mounting screws
2	#10-32 flat head screws		

Step 3 After the controller is mounted on the wall, perform the following tasks to complete the installation:

- [Connecting the Controller Console Port](#)
- [Securing the Power Adapter Cable](#)
- [Connecting to the Network](#)

Step 4 For configuration instructions about using the CLI setup program, see the [“Running the Bootup Script and Power-On Self Test”](#) section on page 23.

Mounting the Controller on a Wall (Mounting Screws)

When mounting the 2504 controller on a wall using mounting screws, always mount the controller with the front panel facing down.



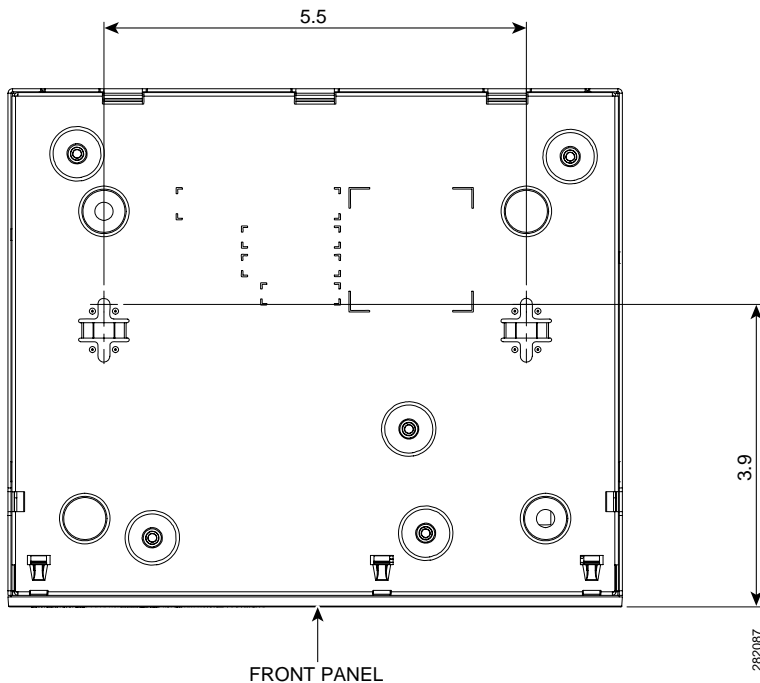
Warning

Read the wall-mounting carefully before beginning installation. Failure to use the correct hardware or to follow the correct procedures could result in a hazardous situation to people and damage to the system. Statement 378

To mount the controller on a wall using mounting screws, follow these steps:

- Step 1** Mark the location of the mounting screws on the wall. Use the mount hole locations on the back of the controller for placement of the mounting screws (Figure 7). (The mount holes are shown in Figure 7 with a cross-hatch mark.)

Figure 7 *Mounting Screw Holes on the Back of the Controller*



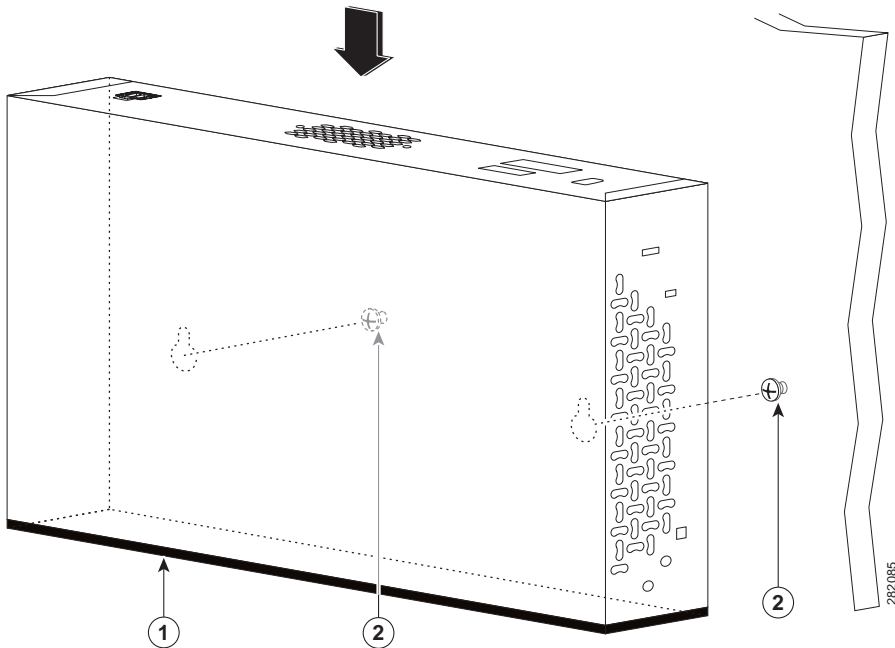
- Step 2** Use a 0.107-inch (2.7mm) or #32 drill bit to drill a 3/4 inch (19mm) hole for the two mounting screws.
- Step 3** Insert two screws into the screw holes and tighten until the top of the screws are 1/8 inch from the wall (leaving enough room for the back panel to slide onto the screws firmly).

Step 4 Place the controller onto the mounting screws and slide it down until it lock into place, as shown in [Figure 8](#).



Note The front panel of the controller should be facing down.

Figure 8 *Place the Controller on the Mounting Screws*



1	Front panel (facing down)	2	Mounting screws
----------	---------------------------	----------	-----------------

Step 5 After the controller is mounted on the wall, perform the following tasks to complete the installation:

- [Connecting the Controller Console Port](#)
- [Securing the Power Adapter Cable](#)
- [Connecting to the Network](#)

Step 6 For configuration instructions about using the CLI setup program, see the “[Running the Bootup Script and Power-On Self Test](#)” section on page 23.

Mounting the Controller in a Rack

To mount the 2504 controller in a 19-inch equipment rack, you can order an optional Optional Rack Mount kit (AIR-CT2504-RMNT).



Warning

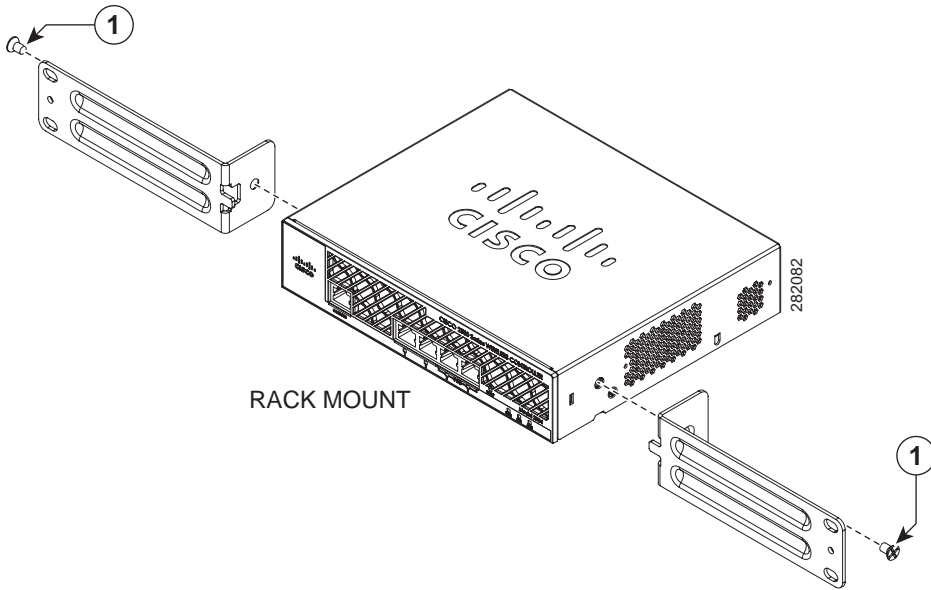
To prevent bodily injury when mounting or servicing this unit in a rack, you must take special precautions to ensure that the system remains stable. The following guidelines are provided to ensure your safety:

- **This unit should be mounted at the bottom of the rack if it is the only unit in the rack.**
 - **When mounting this unit in a partially filled rack, load the rack from the bottom to the top with the heaviest component at the bottom of the rack.**
 - **If the rack is provided with stabilizing devices, install the stabilizers before mounting or servicing the unit in the rack.** Statement 1006
-

To install the controller in a rack, follow these steps.

Step 1 Attach the 19-inch brackets to each side of the controller as shown in [Figure 9](#) with #10-32 flat head screws provided in the kit.

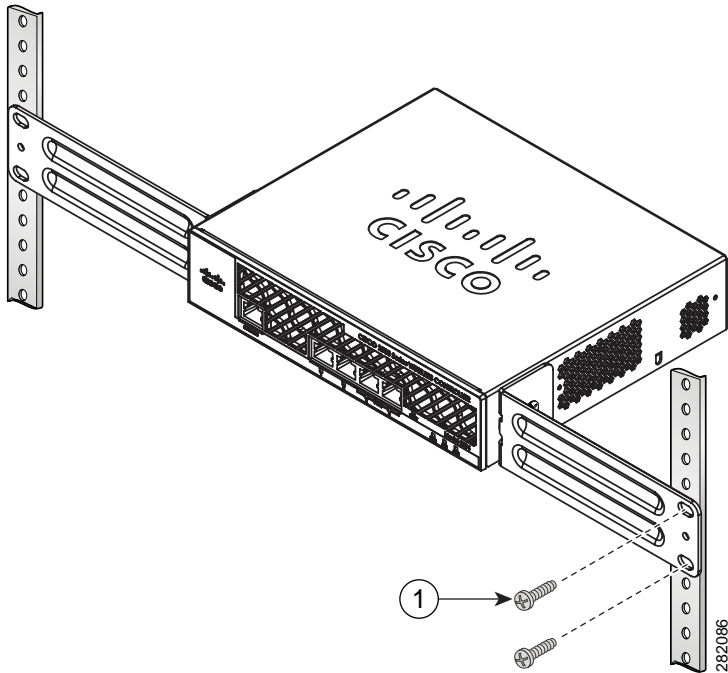
Figure 9 Attaching the 19-Inch Brackets to the Side of the Controller.



1 #10-32 flat head screws (mounting screws for each side of the controller)

Step 2 After the brackets are attached to the sides of the controller, insert the controller into the 19-inch rack. Use either the 10-32 pan-head screws or the 12-24 slotted head screws to secure the controller in the rack, as shown in [Figure 10](#).

Figure 10 *Mounting the Controller in a 19-Inch Rack*



1	#10-32 pan-head screws or #12-24 slotted head screws
----------	--

Step 3 After the controller is mounted in the rack, perform the following tasks to complete the installation:

- [Connecting the Controller Console Port](#)
- [Securing the Power Adapter Cable](#)
- [Connecting to the Network](#)

Step 4 For configuration instructions about using the CLI setup program, see the [“Running the Bootup Script and Power-On Self Test”](#) section on page 23.

Connecting the Controller Console Port



Caution

Do not connect a Power over Ethernet (PoE) cable to the console port. Doing so will damage the controller.

Before you can configure the 2504 controller for basic operations, you need to connect it to a PC that uses a VT-100 terminal emulator (such as HyperTerminal, ProComm, Minicom, or Tip). To connect the PC to the controller console port, follow these steps:

-
- Step 1** Plug the RJ-45 connector on a null-modem serial cable into the controller console port and the other end of the cable into the serial port of the PC.
- Step 2** Start the PC terminal emulation program.
- Step 3** Configure the terminal emulation program for the following parameters:
- 9600 baud
 - 8 data bits
 - No flow control
 - 1 stop bit
 - No parity
-

Securing the Power Adapter Cable

To secure the power adapter cable to the 2504 controller, use the plastic relief clip shipped with the cable. The clip relieves the cable in the event it falls and prevents the connector from being sheared off at the plug pins.



Caution

If the relief clip is not installed, the power connector can be damaged if the power cable is pulled or if the power adapter falls.



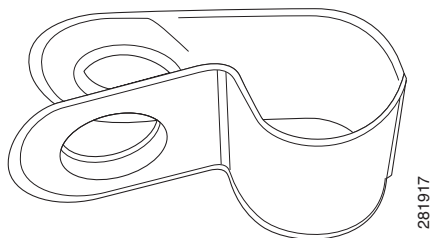
Note

The Cisco 2106 power adapter is not compatible with a 2504 controller.

To secure the power adapter cable and plug, follow these steps:

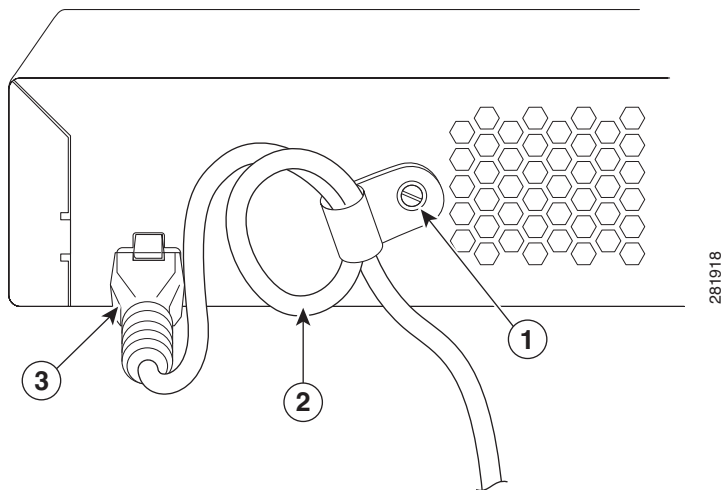
Step 1 Wrap the power adapter cable through the plastic security clip as shown in [Figure 11](#).

Figure 11 *Plastic Relief Clip*



Step 2 Fasten the security clip with a screw to the existing hole on the back panel on the 2504 controller (see [Figure 12](#)).

Figure 12 *Securing the Power Adapter Cable*



1	Security clip secured with screw	3	Power plugged into the POWER 48VDC port.
2	AC/DC power adapter cable		

Installing a Security Lock

The controller has a security slot on the back panel. You can install an optional customer-supplied cable lock, such as the type that is used to secure a laptop computer, to secure the controller. Refer to [Figure 3](#) for the location of the security lock.

4 Running the Bootup Script and Power-On Self Test

When you plug the controller into an AC power source, the bootup script initializes the system, verifies the hardware configuration, loads its microcode into memory, verifies its operating system software load, and initializes itself with its stored configurations. Before performing this test, you should have connected your PC to the CLI console on the controller as described in the [“Connecting the Controller Console Port”](#) section on page 21.

To run the bootup script and conduct the power-on self test (POST), follow these steps:

- Step 1** Plug the external power supply into the power jack on the back of the controller.
- Step 2** Plug a country-specific power cord into the external power supply, then plug the other end into a grounded 100 to 240 VAC, 50–60 Hz electrical outlet.



Note

If you wish to run a previous release of the controller code, press **Esc** when the boot loader prompt appears. The Bootloader Options menu appears.



Note

When the controller receives power, the green front panel Power LED lights. If the Power LED does not light, make sure that the electrical outlet is supplying power and that the power connections to the controller are correct.

Step 3 Observe the bootup using the CLI screen.

The bootup script displays operating system software initialization (code download and POST verification) and basic configuration as shown in the following bootup display example:

```
CISCO SYSTEMS
WLCNG Boot Loader Version 1.0.15 (Built on Nov 23 2010 at 07:51:36 by cisco)
Board Revision 0.0 (SN: PSJ143302MT, Type: AIR-CT2504-K9) (P)
Verifying boot loader integrity... OK.
OCTEON CN5230C-SCP pass 2.0, Core clock: 750 MHz, DDR clock: 330 MHz (660 Mhz data
rate)
CPU Cores: 4
DRAM: 1024 MB
Flash: 32 MB
Clearing DRAM..... done
Network: octeth0', octeth1, octeth2, octeth3
  ' - Active interface
  E - Environment MAC address override
CF Bus 0 (IDE): OK
IDE device 0:
- Model: 1GB CompactFlash Card Firm: CF B612J Ser#: C181101244A1Yb3A5QNU
- Type: Hard Disk
- Capacity: 977.4 MB = 0.9 GB (2001888 x 512)
Press <ESC> now to access the Boot Menu...
```

Continue booting the controller or press Esc to access the following menu:

```
=====
Boot Loader Menu
=====
1. Run primary image (7.0.114.76) - Active
2. Run backup image (7.0.114.75)
3. Change active boot image
4. Clear configuration
5. Format FLASH Drive
6. Manually update images
-----
```

Enter selection:

If you did not press **Esc**, the boot process continues and takes two to three minutes. Do not reboot the controller until the user login prompt appears.

```
Loading primary image (7.0.114.76)
100%
31427987 bytes read
Launching images...
init started: BusyBox v1.6.0 (2010-05-13 17:50:10 EDT) multi-call binary
starting pid 672, tty '': '/etc/init.d/rcS'
type = block
dump-device = 254:4
disrupt
level = header
```



```
compress = none
ifconfig: SIOCGIFFLAGS: No such device
Detecting Hardware ...
Installing ether-pow driver - 0x6008
starting pid 805, tty '/dev/ttyS0': '/usr/bin/gettyOrMwar'
Cryptographic library self-test...passed!
XML config selected
Validating XML configuration
octeon_device_init: found 1 DPs
/dev/fpga: No such device or address
readCPUConfigData: cardid 0x6060001
Cisco is a trademark of Cisco Systems, Inc.
Software Copyright Cisco Systems, Inc. All rights reserved.
Cisco AireOS Version 7.0.114.76
Firmware Version PIC 14.0
Initializing OS Services: ok
Initializing Serial Services: ok
Initializing Network Services: ok
Initializing Licensing Services: ok
Starting ARP Services: ok
Starting Trap Manager: ok
Starting Network Interface Management Services: ok
Starting System Services: ok
Starting Fastpath Hardware Acceleration: ok
Starting Fastpath Console redirect : ok
Starting Fastpath DP Heartbeat : ok
Fastpath CPU00: Starting Fastpath Application. SDK-1.8.0, build 269. Flags-[DUTY
CYCLE] : ok
Fastpath CPU00: Initializing last packet received queue. Num of cores(2)
Fastpath CPU00: Init MBUF size: 1856, Subsequent MBUF size: 2040
Fastpath CPU00: Core 0 Initialization: ok
Fastpath CPU00: Initializing Timer...
Fastpath CPU01: Core 1 Initialization: ok
Fastpath CPU00: Initializing Timer...done.
Starting Switching Services: ok
Starting QoS Services: ok
Starting Policy Manager: ok
Starting Data Transport Link Layer: ok
Starting Access Control List Services: ok
Starting System Interfaces: ok
Starting Client Troubleshooting Service: ok
Starting Management Frame Protection: ok
Starting Certificate Database: ok
Starting VPN Services: ok
Starting Licensing Services: ok
Starting LWAPP: ok
Starting CAPWAP: ok
Starting LOCP: ok
Starting Security Services: ok
```

```
Starting Policy Manager: ok
Starting Authentication Engine: ok
Starting Mobility Management: ok
Starting Virtual AP Services: ok
Starting AireWave Director: ok
Starting Network Time Services: ok
Starting Cisco Discovery Protocol: ok
Starting Broadcast Services: ok
Starting Logging Services: ok
Starting DHCP Server: ok
Starting IDS Signature Manager: ok
Starting RFID Tag Tracking: ok
Starting Power Supply and Fan Status Monitoring Service: ok
Starting Mesh Services: ok
Starting TSM: ok
Starting CIDS Services: ok
Starting Ethernet-over-IP: ok
Starting DTLS server: enabled in CAPWAP
Starting CleanAir: ok
Starting WIPS: ok
Starting SSHPM LSC PROV LIST: ok
Starting RRC Services: ok
Starting FMC HS: ok
Starting Management Services:
  Web Server: ok
  CLI: ok

Secure Web: Web Authentication Certificate not found (error). If you cannot
access management interface via HTTPS please reconfigure Virtual Interface.

License Agent: ok

(Cisco Controller) >
```

Step 4 If desired, press **Esc** key to interrupt the boot process and access the Boot menu.

Step 5 Continue booting the controller or press Esc to access the following menu:

1. Run primary image (7.0.114.76) - Active
2. Run backup image (7.0.114.75)
3. Change active boot image
4. Clear configuration
5. Format FLASH Drive
6. Manually update images

Enter selection:

If you did not press Esc, the boot process continues and takes two to three minutes. Do not reboot the controller until the user login prompt appears.

```
Loading primary image (7.0.114.76)
100%
31427987 bytes read
Launching images...
init started: BusyBox v1.6.0 (2010-05-13 17:50:10 EDT) multi-call binary
starting pid 672, tty '': '/etc/init.d/rcS'
type = block
dump-device = 254:4
disrupt
level = header
compress = none
ifconfig: SIOCGIFFLAGS: No such device
Detecting Hardware ...
Installing ether-pow driver - 0x6008
starting pid 805, tty '/dev/ttyS0': '/usr/bin/gettyOrMwar'
Cryptographic library self-test...passed!
XML config selected
Validating XML configuration
octeon_device_init: found 1 DPs
/dev/fpga: No such device or address
readCPUConfigData: cardid 0x6060001
Cisco is a trademark of Cisco Systems, Inc.
Software Copyright Cisco Systems, Inc. All rights reserved.
Cisco AireOS Version 7.0.114.76
Firmware Version PIC 14.0
Initializing OS Services: ok
Initializing Serial Services: ok
Initializing Network Services: ok
Initializing Licensing Services: ok
Starting ARP Services: ok
Starting Trap Manager: ok
Starting Network Interface Management Services: ok
Starting System Services: ok
Starting Fastpath Hardware Acceleration: ok
Starting Fastpath Console redirect : ok
```

```
Starting Fastpath DP Heartbeat : ok
Fastpath CPU00: Starting Fastpath Application. SDK-1.8.0, build 269. Flags-[DUTY
CYCLE] : ok
Fastpath CPU00: Initializing last packet received queue. Num of cores(2)
Fastpath CPU00: Init MBUF size: 1856, Subsequent MBUF size: 2040
Fastpath CPU00: Core 0 Initialization: ok
Fastpath CPU00: Initializing Timer...
Fastpath CPU01: Core 1 Initialization: ok
Fastpath CPU00: Initializing Timer...done.
Starting Switching Services: ok
Starting QoS Services: ok
Starting Policy Manager: ok
Starting Data Transport Link Layer: ok
Starting Access Control List Services: ok
Starting System Interfaces: ok
Starting Client Troubleshooting Service: ok
Starting Management Frame Protection: ok
Starting Certificate Database: ok
Starting VPN Services: ok
Starting Licensing Services: ok
Starting LWAPP: ok
Starting CAPWAP: ok
Starting LOCP: ok
Starting Security Services: ok
Starting Policy Manager: ok
Starting Authentication Engine: ok
Starting Mobility Management: ok
Starting Virtual AP Services: ok
Starting AireWave Director: ok
Starting Network Time Services: ok
Starting Cisco Discovery Protocol: ok
Starting Broadcast Services: ok
Starting Logging Services: ok
Starting DHCP Server: ok
Starting IDS Signature Manager: ok
Starting RFID Tag Tracking: ok
Starting Power Supply and Fan Status Monitoring Service: ok
Starting Mesh Services: ok
Starting TSM: ok
Starting CIDS Services: ok
Starting Ethernet-over-IP: ok
Starting DTLS server: enabled in CAPWAP
Starting CleanAir: ok
Starting WIPS: ok
Starting SSHPM LSC PROV LIST: ok
Starting RRC Services: ok
Starting FMC HS: ok
Starting Management Services:
    Web Server: ok
```

CLI: ok

```
Secure Web: Web Authentication Certificate not found (error). If you cannot  
access management interface via HTTPS please reconfigure Virtual Interface.
```

License Agent: ok

(Cisco Controller)>

Step 6 If the controller passes the POST, the bootup script runs the Startup Wizard, which prompts you for basic configuration information.

```
Welcome to the Cisco Wizard Configuration Tool  
Use the '-' character to backup  
System Name [Cisco_d9:16:24]:
```



Note The startup wizard runs the first time that you power on the controller. The second time you power it on, the controller prompts you for a login ID and password.

Using the Startup Wizard

Before you can use the startup wizard, you must obtain the information discussed in the [“Required Tools and Information” section on page 9](#). Table 3 contains startup wizard information you can use to configure your controller for basic operation.



Note The available options appear in brackets after each configuration parameter. The default value appears in all uppercase letters.



Note If you enter an incorrect response, the controller provides you with an appropriate error message such as `invalid response`, and returns to the wizard prompt.



Note Press the hyphen key if you need to return to the previous command line.

Table 3 *Startup Wizard Information*


Wizard Setting	Action
System Name	Enter the system name, which is the name you want to assign to the controller. You can enter up to 31 ASCII characters.
Administrative user name	Enter the administrative user name to be assigned to this controller. You can enter up to 24 ASCII characters for each. The default administrative username is admin.
Administrative password	Enter the administrative password to be assigned to this controller. You can enter from 3 to 24 ASCII characters for each.  Note There is no default administrative password, you must enter a password.
Management Interface IP Address	Enter the IP address of the management interface. The management interface is the default interface for in-band management of the controller and connectivity to enterprise services such as AAA servers. You can access the controller GUI interface using the management interface IP address.
Management Interface Netmask	Enter the IP address of the management interface netmask.
Management Interface Default Router	Enter the IP address of the default router.
Management Interface VLAN Identifier	Enter the VLAN identifier of the management interface (a valid VLAN identifier or 0 for an untagged VLAN). The VLAN identifier should be set to match the switch interface configuration.
Management Interface Port Num [1 to 4]	Enter the port number of the access point manager interface. Ports values are 1 to 4.

Table 3 Startup Wizard Information (continued)

Wizard Setting	Action
Management Interface DHCP Server IP Address	Enter the management interface DHCP server IP address.
Virtual Gateway IP Address	<p>Enter the IP address of the controller virtual interface. You should enter a fictitious, unassigned IP address, such as <i>1.1.1.1</i>.</p> <p>The <i>virtual interface</i> is used to support mobility management, DHCP relay, and embedded Layer 3 security such as guest web authentication and VPN termination. All controllers within a mobility group must be configured with the same virtual interface IP address.</p>
Mobility/RF Group Name	<p>If desired, enter the name of the mobility group/RF group to which you want the controller to belong.</p> <p>Although the name that you enter here is assigned to both the mobility group and the RF group, these groups are not identical. Both groups define clusters of controllers, but they have different purposes. All of the controllers in an RF group are usually also in the same mobility group and vice versa. However, a mobility group facilitates scalable, system-wide mobility and controller redundancy while an RF group facilitates scalable, system-wide dynamic RF management.</p>
Network Name (SSID)	Enter the network name, or service set identifier (SSID). This is the default SSID that the access points use when they join a controller.
Configure DHCP Bridging Mode	<p>Enter yes to configure DHCP Bridging Mode. Values are yes or no. The following message appears:</p> <p>Warning! The default WLAN security policy requires a RADIUS server. Please see documentation for more details.</p>

Table 3 Startup Wizard Information (continued)



Wizard Setting	Action
Allow Static IP Addresses	Enter YES to allow clients to assign their own IP address or no to make clients request an IP address from a DHCP server. Values are YES or no. The default setting is YES.
Configure a RADIUS Server Now?	<p>If you select YES, you are prompted to enter the following:</p> <ul style="list-style-type: none"> • RADIUS server IP address • RADIUS server port (default port is 1812) • RADIUS server secret <p>If you select no, the following message appears:</p> <p>Warning! The default WLAN security policy requires a RADIUS server. Please see documentation for more details.</p>
Enter Country Code List	Enter the two letter country code. The default country code is the United States (US). Enter 'help' to see a list of countries.
Enable 802.11b Network	Choose YES to enable or no to disable the 802.11b radio network. The default is YES.
Enable 802.11a Network	Choose YES to enable or no to disable the 802.11a radio network. The default is YES.
Enable 802.11g Network	Choose YES to enable or no disable the 802.11g radio network. The default is YES.
Enable Auto-RF	Choose YES to enable or no to disable radio resource management. The default is YES.
Configure a NTP server now?	Enter YES to configure an NTP server. The values are YES or no. The default value is YES.
Enter the NTP server IP address	<p>Enter the NTP server IP address.</p> <hr/> <p> Note This prompt only displays if YES was entered in the “Configure a NTP Server Now?” prompt.</p>

Table 3 Startup Wizard Information (continued)

Wizard Setting	Action
Enter a polling interval between 3600 and 604800 secs	Enter the polling interval between 3600 and 604800 seconds.  Note This prompt only displays if YES was entered in the “Configure a NTP Server Now?” prompt.
Configuration correct?	Enter yes if the configuration entered is correct. Values are yes and no. If yes is entered, the controller saves your configuration, reboots, and prompts you to log in.

5 Logging into the Controller

To log into the 2504 controller, follow these steps:

Step 1 Enter a valid username and password to log into the controller CLI.



Note

The administrative username and password you created in the startup wizard are case sensitive.

Step 2 The CLI displays the root level system prompt:

```
 #(system prompt) >
```

The system prompt can be any alphanumeric string up to 31 characters. You can change it by entering the **config prompt** command. For example, to change the system prompt to CISCO2504, enter config prompt "CISCO2504" and press Enter. Make sure you enter the new prompt using double quotation marks.



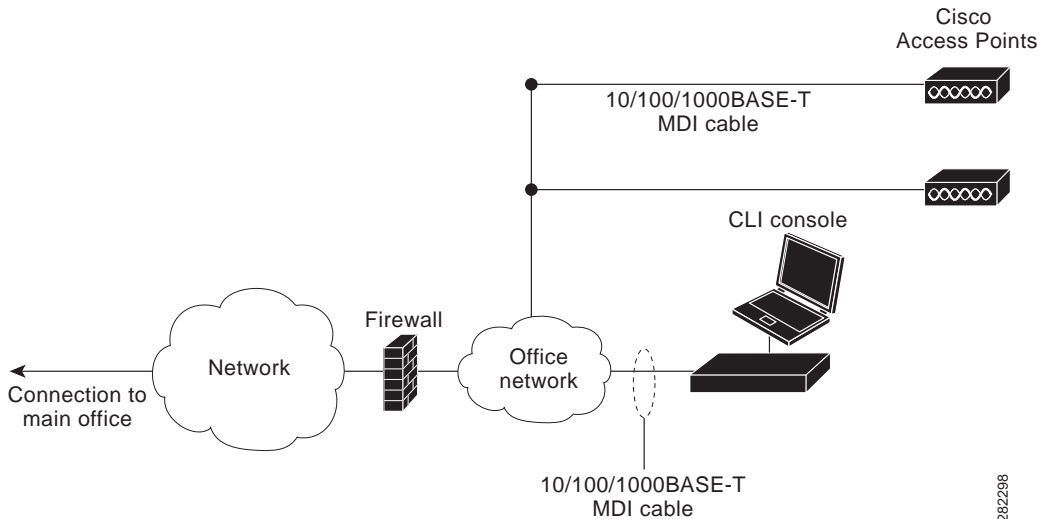
Note

The CLI automatically logs out without saving any changes after 5 minutes of inactivity. You can set the automatic logout from 0 (never log out) to 160 minutes using the **config serial timeout** command.

6 Connecting to the Network

Figure 13 shows the connection from the network (802.11 distribution system) to the controller. The connection uses 10/100/1000BASE-T Ethernet (RJ-45 physical port, UTP, Category-5 or higher cable). Always use Category-5, Category-5e, Category-6, or Category-7 Ethernet cables to connect the office network equipment to the controller.

Figure 13 External Network Equipment Connection to the Controller



282298



Note If the link does not activate, check the cable. When you are connecting to a hub or a switch, use a straight-through cable.

Connecting Access Points

After you have configured the controller, use Category-5, Category-5e, Category-6, or Category-7 Ethernet cables to connect up to 50 Cisco lightweight access points to the controller Ethernet ports or to the network (distribution system) as shown in [Figure 14](#). The controller has an auto MDI feature, so you can use an MDI-X or MDI cable (crossover or straight-through) to make the connections.

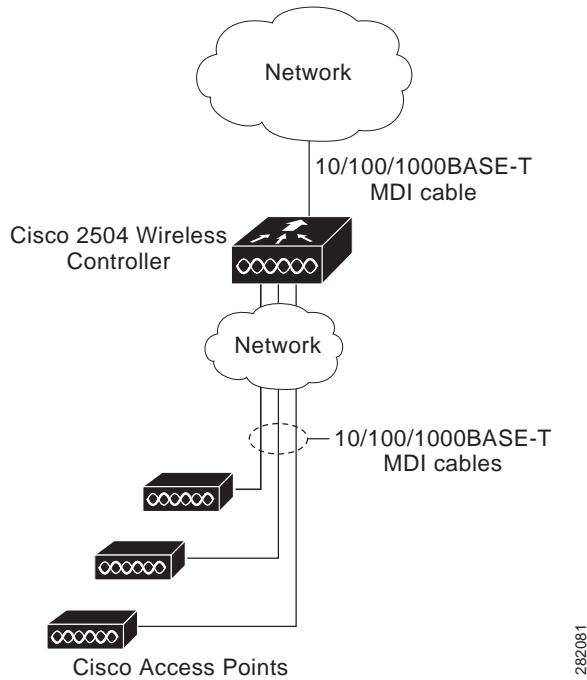
As soon as the controller is operational, the controller is available to connect access that are scanning for a controller. When it detects an access point, it records the access point MAC address in its database. The controller Radio Resource Management (RRM) feature automatically configures the access point to start transmitting and allowing clients to associate.



Note Direct connection of access points to Cisco 2500 Series Wireless Controllers are not currently supported.

You have prepared the controller for basic operation. Refer to the *Cisco Wireless LAN Controller Configuration Guide* for information on configuring the controller to meet the specific needs of your wireless network.

Figure 14 Access Points Connected to a Controller



Checking the Controller LEDs

If your 2504 controller is not working properly, check the LEDs on the front panel of the unit. You can use the LED indications to quickly assess the status of the unit. See [Table 1 on page 5](#) for a description of the front panel LEDs.

The installation is complete. Refer to the *Cisco Wireless Controller Configuration Guide* for more information about configuring your controller. The guide is available on cisco.com.

Using the Reset Button

The Reset button on the front panel of the controller becomes active after the controller boots. To reset the controller using the Reset button, follow these steps:

Step 1 Connect a PC to the controller console point.

- Step 2** Press and hold the Reset button for at least 3 seconds using a pointed object, such as a ball point pen, pencil, or paper clip.
- Step 3** After the controller reboots, enter your username and password at the prompts.
-

If you have configured the controller, it reboots and loads the configuration. If you have not configured the controller, the configuration wizard appears.

7 What's New in Cisco Product Documentation

For information on obtaining documentation, submitting a service request, and gathering additional information, see the monthly What's New in Cisco Product Documentation, which also lists all new and revised Cisco technical documentation, at:

<http://www.cisco.com/en/US/docs/general/whatsnew/whatsnew.html>

Subscribe to the What's New in Cisco Product Documentation as a Really Simple Syndication (RSS) feed and set content to be delivered directly to your desktop using a reader application. The RSS feeds are a free service and Cisco currently supports RSS Version 2.0.

8 Translated Safety Warnings

Statement 1071—Warning Definition



Warning

IMPORTANT SAFETY INSTRUCTIONS

This warning symbol means danger. You are in a situation that could cause bodily injury. Before you work on any equipment, be aware of the hazards involved with electrical circuitry and be familiar with standard practices for preventing accidents. Use the statement number provided at the end of each warning to locate its translation in the translated safety warnings that accompanied this device. Statement 1071

SAVE THESE INSTRUCTIONS

Waarschuwing

BELANGRIJKE VEILIGHEIDSINSTRUCTIES

Dit waarschuwingssymbool betekent gevaar. U verkeert in een situatie die lichamelijk letsel kan veroorzaken. Voordat u aan enige apparatuur gaat werken, dient u zich bewust te zijn van de bij elektrische schakelingen betrokken risico's en dient u op de hoogte te zijn van de standaard praktijken om ongelukken te voorkomen. Gebruik het nummer van de verklaring onderaan de waarschuwing als u een vertaling van de waarschuwing die bij het apparaat wordt geleverd, wilt raadplegen.

BEWAAR DEZE INSTRUCTIES

Varoitus

TÄRKEITÄ TURVALLISUUSOHJEITA

Tämä varoitusmerkki merkitsee vaaraa. Tilanne voi aiheuttaa ruumiillisia vammoja. Ennen kuin käsittelet laitteistoa, huomioi sähköpiirien käsittelemiseen liittyvät riskit ja tutustu onnettomuuksien yleisiin ehkäisytapoihin. Turvallisuusvaroitusten käännökset löytyvät laitteen mukana toimitettujen käännettyjen turvallisuusvaroitusten joukosta varoitusten lopussa näkyvien lausuntonumeroiden avulla.

SÄILYTÄ NÄMÄ OHJEET

Attention IMPORTANTES INFORMATIONS DE SÉCURITÉ

Ce symbole d'avertissement indique un danger. Vous vous trouvez dans une situation pouvant entraîner des blessures ou des dommages corporels. Avant de travailler sur un équipement, soyez conscient des dangers liés aux circuits électriques et familiarisez-vous avec les procédures couramment utilisées pour éviter les accidents. Pour prendre connaissance des traductions des avertissements figurant dans les consignes de sécurité traduites qui accompagnent cet appareil, référez-vous au numéro de l'instruction situé à la fin de chaque avertissement.

CONSERVEZ CES INFORMATIONS

Warnung WICHTIGE SICHERHEITSHINWEISE

Dieses Warnsymbol bedeutet Gefahr. Sie befinden sich in einer Situation, die zu Verletzungen führen kann. Machen Sie sich vor der Arbeit mit Geräten mit den Gefahren elektrischer Schaltungen und den üblichen Verfahren zur Vorbeugung vor Unfällen vertraut. Suchen Sie mit der am Ende jeder Warnung angegebenen Anweisungsnummer nach der jeweiligen Übersetzung in den übersetzten Sicherheitshinweisen, die zusammen mit diesem Gerät ausgeliefert wurden.

BEWAHREN SIE DIESE HINWEISE GUT AUF.

Avvertenza IMPORTANTI ISTRUZIONI SULLA SICUREZZA

Questo simbolo di avvertenza indica un pericolo. La situazione potrebbe causare infortuni alle persone. Prima di intervenire su qualsiasi apparecchiatura, occorre essere al corrente dei pericoli relativi ai circuiti elettrici e conoscere le procedure standard per la prevenzione di incidenti. Utilizzare il numero di istruzione presente alla fine di ciascuna avvertenza per individuare le traduzioni delle avvertenze riportate in questo documento.

CONSERVARE QUESTE ISTRUZIONI

Advarsel VIKTIGE SIKKERHETSINSTRUKSJONER

Dette advarselssymbolet betyr fare. Du er i en situasjon som kan føre til skade på person. Før du begynner å arbeide med noe av utstyret, må du være oppmerksom på farene forbundet med elektriske kretser, og kjenne til standardprosedyrer for å forhindre ulykker. Bruk nummeret i slutten av hver advarsel for å finne oversettelsen i de oversatte sikkerhetsadvarslene som fulgte med denne enheten.

TA VARE PÅ DISSE INSTRUKSJONENE

Aviso INSTRUÇÕES IMPORTANTES DE SEGURANÇA

Este símbolo de aviso significa perigo. Você está em uma situação que poderá ser causadora de lesões corporais. Antes de iniciar a utilização de qualquer equipamento, tenha conhecimento dos perigos envolvidos no manuseio de circuitos elétricos e familiarize-se com as práticas habituais de prevenção de acidentes. Utilize o número da instrução fornecido ao final de cada aviso para localizar sua tradução nos avisos de segurança traduzidos que acompanham este dispositivo.

GUARDE ESTAS INSTRUÇÕES

¡Advertencia! INSTRUCCIONES IMPORTANTES DE SEGURIDAD

Este símbolo de aviso indica peligro. Existe riesgo para su integridad física. Antes de manipular cualquier equipo, considere los riesgos de la corriente eléctrica y familiarícese con los procedimientos estándar de prevención de accidentes. Al final de cada advertencia encontrará el número que le ayudará a encontrar el texto traducido en el apartado de traducciones que acompaña a este dispositivo.

GUARDE ESTAS INSTRUCCIONES

Varning! VIKTIGA SÄKERHETSANVISNINGAR

Denna varningssignal signalerar fara. Du befinner dig i en situation som kan leda till personskada. Innan du utför arbete på någon utrustning måste du vara medveten om farorna med elkretsar och känna till vanliga förfaranden för att förebygga olyckor. Använd det nummer som finns i slutet av varje varning för att hitta dess översättning i de översatta säkerhetsvarningar som medföljer denna anordning.

SPARA DESSA ANVISNINGAR

FONTOS BIZTONSÁGI ELOÍRÁSOK

Ez a figyelmeztető jel veszélyre utal. Sérülésveszélyt rejtő helyzetben van. Mielőtt bármely berendezésen munkát végezte, legyen figyelemmel az elektromos áramkörök okozta kockázatokra, és ismerkedjen meg a szokásos balesetvédelmi eljárásokkal. A kiadványban szereplő figyelmeztetések fordítása a készülékhez mellékelt biztonsági figyelmeztetések között található; a fordítás az egyes figyelmeztetések végén látható szám alapján kereshető meg.

ORIZZE MEG EZEKET AZ UTASÍTÁSOKAT!

Предупреждение

ВАЖНЫЕ ИНСТРУКЦИИ ПО СОБЛЮДЕНИЮ ТЕХНИКИ БЕЗОПАСНОСТИ

Этот символ предупреждения обозначает опасность. То есть имеет место ситуация, в которой следует опасаться телесных повреждений. Перед эксплуатацией оборудования выясните, каким опасностям может подвергаться пользователь при использовании электрических цепей, и ознакомьтесь с правилами техники безопасности для предотвращения возможных несчастных случаев. Воспользуйтесь номером заявления, приведенным в конце каждого предупреждения, чтобы найти его переведенный вариант в переводе предупреждений по безопасности, прилагаемом к данному устройству.

СОХРАНИТЕ ЭТИ ИНСТРУКЦИИ

警告 重要的安全性说明

此警告符号代表危险。您正处于可能受到严重伤害的工作环境中。在您使用设备开始工作之前，必须充分意识到触电的危险，并熟练掌握防止事故发生的标准工作程序。请根据每项警告结尾提供的声明号码来找到此设备的安全性警告说明的翻译文本。

请保存这些安全性说明

警告 安全上の重要な注意事項

「危険」の意味です。人身事故を予防するための注意事項が記述されています。装置の取り扱い作業を行うときは、電気回路の危険性に注意し、一般的な事故防止策に留意してください。警告の各国語版は、各注意事項の番号を基に、装置に付属の「Translated Safety Warnings」を参照してください。

これらの注意事項を保管しておいてください。

주의 중요 안전 지침

이 경고 기호는 위험을 나타냅니다. 작업자가 신체 부상을 일으킬 수 있는 위험한 환경에 있습니다. 장비에 작업을 수행하기 전에 전기 회로와 관련된 위험을 숙지하고 표준 작업 관례를 숙지하여 사고를 방지하십시오. 각 경고의 마지막 부분에 있는 경고문 번호를 참조하여 이 장치와 함께 제공되는 번역된 안전 경고문에서 해당 번역문을 찾으십시오.

이 지시 사항을 보관하십시오.

تحذير

إرشادات الأمان الهامة

يوضح رمز التحذير هذا وجود خطر. وهذا يعني أنك متواجد في مكان قد ينتج عنه التعرض لإصابات. قبل بدء العمل، احذر مخاطر التعرض للصدمات الكهربائية وكن على علم بالإجراءات القياسية للحيلولة دون وقوع أي حوادث. استخدم رقم البيان الموجود في آخر كل تحذير لتحديد مكان ترجمته داخل تحذيرات الأمان المترجمة التي تأتي مع الجهاز. قم بحفظ هذه الإرشادات

Upozorenje VAŽNE SIGURNOSNE NAPOMENE

Ovaj simbol upozorenja predstavlja opasnost. Nalazite se u situaciji koja može prouzročiti tjelesne ozljede. Prije rada s bilo kojim uređajem, morate razumjeti opasnosti vezane uz električne sklopove, te biti upoznati sa standardnim načinima izbjegavanja nesreća. U prevedenim sigurnosnim upozorenjima, priloženima uz uređaj, možete prema broju koji se nalazi uz pojedino upozorenje pronaći i njegov prijevod.

SAČUVAJTE OVE UPUTE

Upozornění DŮLEŽITÉ BEZPEČNOSTNÍ POKYNY

Tento upozorňující symbol označuje nebezpečí. Jste v situaci, která by mohla způsobit nebezpečí úrazu. Před prací na jakémkoliv vybavení si uvědomte nebezpečí související s elektrickými obvody a seznamte se se standardními opatřeními pro předcházení úrazům. Podle čísla na konci každého upozornění vyhledejte jeho překlad v přeložených bezpečnostních upozorněních, která jsou přiložena k zařízení.

USCHOVEJTE TYTO POKYNY

Προειδοποίηση ΣΗΜΑΝΤΙΚΕΣ ΟΔΗΓΙΕΣ ΑΣΦΑΛΕΙΑΣ

Αυτό το προειδοποιητικό σύμβολο σημαίνει κίνδυνο. Βρίσκεστε σε κατάσταση που μπορεί να προκαλέσει τραυματισμό. Πριν εργαστείτε σε οποιοδήποτε εξοπλισμό, να έχετε υπόψη σας τους κινδύνους που σχετίζονται με τα ηλεκτρικά κυκλώματα και να έχετε εξοικειωθεί με τις συνήθεις πρακτικές για την αποφυγή ατυχημάτων. Χρησιμοποιήστε τον αριθμό δήλωσης που παρέχεται στο τέλος κάθε προειδοποίησης, για να εντοπίσετε τη μετάφρασή της στις μεταφρασμένες προειδοποιήσεις ασφαλείας που συνοδεύουν τη συσκευή.

ΦΥΛΑΞΤΕ ΑΥΤΕΣ ΤΙΣ ΟΔΗΓΙΕΣ

אזהרה

הוראות בטיחות חשובות

סימן אזהרה זה מסמל סכנה. אתה נמצא במצב העלול לגרום לפציעה. לפני שתעבוד עם ציוד כלשהו, עליך להיות מודע לסכנות הכרוכות במעגלים חשמליים ולהכיר את הנהלים המקובלים למניעת תאונות. השתמש במספר ההוראה המסופק בסופה של כל אזהרה כדי לאתר את התרגום באזהרות הבטיחות המתורגמות שמצורפות להתקן.

שמור הוראות אלה

Opomena

ВАЖНИ БЕЗБЕДНОСНИ НАПАТСТВИЈА

Симболот за предупредување значи опасност. Се наоѓате во ситуација што може да предизвика телесни повреди. Пред да работите со опремата, бидете свесни за ризикот што постои кај електричните кола и треба да ги познавате стандардните постапки за спречување на несреќни случаи. Искористете го бројот на изјавата што се наоѓа на крајот на секое предупредување за да го најдете неговиот период во преведените безбедносни предупредувања што се испорачани со уредот.
ЧУВАЈТЕ ГИ ОБИЕ НАПАТСТВИЈА

Ostrzeżenie

WAŻNE INSTRUKCJE DOTYCZĄCE BEZPIECZEŃSTWA

Ten symbol ostrzeżenia oznacza niebezpieczeństwo. Zachodzi sytuacja, która może powodować obrażenia ciała. Przed przystąpieniem do prac przy urządzeniach należy zapoznać się z zagrożeniami związanymi z układami elektrycznymi oraz ze standardowymi środkami zapobiegania wypadkom. Na końcu każdego ostrzeżenia podano numer, na podstawie którego można odszukać tłumaczenie tego ostrzeżenia w dołączonym do urządzenia dokumencie z tłumaczeniami ostrzeżeń.

NINIEJSZE INSTRUKCJE NALEŻY ZACHOWAĆ

Upozornenie DÔLEŽITÉ BEZPEČNOSTNÉ POKYNY

Tento varovný symbol označuje nebezpečenstvo. Nachádzate sa v situácii s nebezpečenstvom úrazu. Pred prácou na akomkoľvek vybavení si uvedomte nebezpečenstvo súvisiace s elektrickými obvodmi a oboznámte sa so štandardnými opatreniami na predchádzanie úrazom. Podľa čísla na konci každého upozornenia vyhľadajte jeho preklad v preložených bezpečnostných upozorneniach, ktoré sú priložené k zariadeniu.

USCHOVAJTE SI TENTO NÁVOD

Opozorilo POMEMBNI VARNOSTNI NAPOTKI

Ta opozorilni simbol pomeni nevarnost. Nahajate se v situaciji, kjer lahko pride do telesnih poškodb. Preden pričnete z delom na napravi, se morate zavedati nevarnosti udara električnega toka, ter tudi poznati preventivne ukrepe za preprečevanje takšnih nevarnosti. Uporabite obrazložitevno številko na koncu posameznega opozorila, da najdete opis nevarnosti v priloženem varnostnem priročniku.

SHRANITE TE NAPOTKE!

警告

重要安全性指示

此警告符號代表危險，表示可能造成人身傷害。使用任何設備前，請留心電路相關危險，並熟悉避免意外的標準作法。您可以使用每項警告後的聲明編號，查詢本裝置隨附之安全性警告譯文中的翻譯。

請妥善保留此指示

FONTOS BIZTONSÁGI ELOÍRÁSOK

Ez a figyelmeztető jel veszélyre utal. Sérülésveszélyt rejtő helyzetben van. Mielott bármely berendezésen munkát végezte, legyen figyelemmel az elektromos áramkörök okozta kockázatokra, és ismerkedjen meg a szokásos balesetvédelmi eljárásokkal. A kiadványban szereplő figyelmeztetések fordítása a készülékhez mellékelt biztonsági figyelmeztetések között található; a fordítás az egyes figyelmeztetések végén látható szám alapján kereshető meg.

ORIZZE MEG EZEKET AZ UTASÍTÁSOKAT!

Предупреждение

ВАЖНЫЕ ИНСТРУКЦИИ ПО СОБЛЮДЕНИЮ ТЕХНИКИ БЕЗОПАСНОСТИ

Этот символ предупреждения обозначает опасность. То есть имеет место ситуация, в которой следует опасаться телесных повреждений. Перед эксплуатацией оборудования выясните, каким опасностям может подвергаться пользователь при использовании электрических цепей, и ознакомьтесь с правилами техники безопасности для предотвращения возможных несчастных случаев. Воспользуйтесь номером заявления, приведенным в конце каждого предупреждения, чтобы найти его переведенный вариант в переводе предупреждений по безопасности, прилагаемом к данному устройству.

СОХРАНИТЕ ЭТИ ИНСТРУКЦИИ

Statement 1015—Battery Handling



Warning	There is the danger of explosion if the battery is replaced incorrectly. Replace the battery only with the same or equivalent type recommended by the manufacturer. Dispose of used batteries according to the manufacturer's instructions. Statement 1015
Waarschuwing	Er is ontploffingsgevaar als de batterij verkeerd vervangen wordt. Vervang de batterij slechts met hetzelfde of een equivalent type dat door de fabrikant aanbevolen is. Gebruikte batterijen dienen overeenkomstig fabrieksvoorschriften weggeworpen te worden.
Varoitus	Räjähdyksen vaara, jos akku on vaihdettu väärään akkuun. Käytä vaihtamiseen ainoastaan saman- tai vastaavantyyppistä akkua, joka on valmistajan suosittelema. Hävitä käytetyt akut valmistajan ohjeiden mukaan.
Attention	Danger d'explosion si la pile n'est pas remplacée correctement. Ne la remplacer que par une pile de type semblable ou équivalent, recommandée par le fabricant. Jeter les piles usagées conformément aux instructions du fabricant.
Warnung	Bei Einsetzen einer falschen Batterie besteht Explosionsgefahr. Ersetzen Sie die Batterie nur durch den gleichen oder vom Hersteller empfohlenen Batterietyp. Entsorgen Sie die benutzten Batterien nach den Anweisungen des Herstellers.
Avvertenza	Pericolo di esplosione se la batteria non è installata correttamente. Sostituire solo con una di tipo uguale o equivalente, consigliata dal produttore. Eliminare le batterie usate secondo le istruzioni del produttore.
Advarsel	Det kan være fare for eksplosjon hvis batteriet skiftes på feil måte. Skift kun med samme eller tilsvarende type som er anbefalt av produsenten. Kasser brukte batterier i henhold til produsentens instruksjoner.
Aviso	Existe perigo de explosão se a bateria for substituída incorretamente. Substitua a bateria por uma bateria igual ou de um tipo equivalente recomendado pelo fabricante. Destrua as baterias usadas conforme as instruções do fabricante.

¡Advertencia! Existe peligro de explosión si la batería se reemplaza de manera incorrecta. Reemplazar la batería exclusivamente con el mismo tipo o el equivalente recomendado por el fabricante. Desechar las baterías gastadas según las instrucciones del fabricante.

Varning! Explosionsfara vid felaktigt batteribyte. Ersätt endast batteriet med samma batterityp som rekommenderas av tillverkaren eller motsvarande. Följ tillverkarens anvisningar vid kassering av använda batterier.

Robbanásveszélyt idézhet elő, ha helytelenül cserélik ki az akkumulátort. Csak a gyártó által javasolttal megegyező vagy azzal egyenértékű típusúra cserélje ki az akkumulátort! A használt akkumulátorok kidobásakor tartsa be a gyártó előírásait!

Предупреждение При неправильной замене батареи возможен взрыв. Для замены следует использовать батарею того же или аналогичного типа, рекомендованного изготовителем. Утилизацию батареи необходимо производить в соответствии с указаниями изготовителя.

警告 電池更換不當會有爆炸危險。請只用同類電池或製造商推薦的功能相當的電池更換原有電池。請按製造商的說明處理廢舊電池。

警告 不適切なバッテリーに交換すると、爆発の危険性があります。製造元が推奨するものと同じまたは同等のバッテリーだけを使用してください。使用済みのバッテリーは、製造元が指示する方法に従って処分してください。

警告 電池替換錯誤可能會發生爆炸。僅限以製造商建議的同樣或同款電池替換，並遵照製造商的指示處理使用過的電池。

Statement 1024—Ground Conductor



-
- | | |
|---------------------|--|
| Warning | This equipment must be grounded. Never defeat the ground conductor or operate the equipment in the absence of a suitably installed ground conductor. Contact the appropriate electrical inspection authority or an electrician if you are uncertain that suitable grounding is available. Statement 1024 |
| Waarschuwing | Deze apparatuur dient geaard te zijn. De aardingsleiding mag nooit buiten werking worden gesteld en de apparatuur mag nooit bediend worden zonder dat er een op de juiste wijze geïnstalleerde aardingsleiding aanwezig is. Neem contact op met de bevoegde instantie voor elektrische inspecties of met een elektricien als u er niet zeker van bent dat er voor passende aarding gezorgd is. |
| Varoitus | Laitteiden on oltava maadoitettuja. Älä koskaan ohita maajohdinta tai käytä laitteita ilman oikein asennettua maajohdinta. Ota yhteys sähkötarkastusviranomaiseen tai sähköasentajaan, jos olet epävarma maadoituksen sopivuudesta. |
| Attention | Cet équipement doit être mis à la masse. Ne jamais rendre inopérant le conducteur de masse ni utiliser l'équipement sans un conducteur de masse adéquatement installé. En cas de doute sur la mise à la masse appropriée disponible, s'adresser à l'organisme responsable de la sécurité électrique ou à un électricien. |
| Warnung | Dieses Gerät muss geerdet sein. Auf keinen Fall den Erdungsleiter unwirksam machen oder das Gerät ohne einen sachgerecht installierten Erdungsleiter verwenden. Wenn Sie sich nicht sicher sind, ob eine sachgerechte Erdung vorhanden ist, wenden Sie sich an die zuständige Inspektionsbehörde oder einen Elektriker. |
| Avvertenza | Questa apparecchiatura deve essere dotata di messa a terra. Non escludere mai il conduttore di protezione né usare l'apparecchiatura in assenza di un conduttore di protezione installato in modo corretto. Se non si è certi della disponibilità di un adeguato collegamento di messa a terra, richiedere un controllo elettrico presso le autorità competenti o rivolgersi a un elettricista. |

Advarsel Dette utstyret må jordes. Omgå aldri jordingslederen og bruk aldri utstyret uten riktig montert jordingsleder. Ta kontakt med fagfolk innen elektrisk inspeksjon eller med en elektriker hvis du er usikker på om det finnes velegnet jordning.

Aviso Este equipamento deve ser aterrado. Nunca anule o fio terra nem opere o equipamento sem um aterramento adequadamente instalado. Em caso de dúvida com relação ao sistema de aterramento disponível, entre em contato com os serviços locais de inspeção elétrica ou um eletricista qualificado.

¡Advertencia! Este equipo debe estar conectado a tierra. No inhabilite el conductor de tierra ni haga funcionar el equipo si no hay un conductor de tierra instalado correctamente. Póngase en contacto con la autoridad correspondiente de inspección eléctrica o con un electricista si no está seguro de que haya una conexión a tierra adecuada.

Varning! Denna utrustning måste jordas. Koppla aldrig från jordledningen och använd aldrig utrustningen utan en på lämpligt sätt installerad jordledning. Om det föreligger osäkerhet huruvida lämplig jordning finns skall elektrisk besiktningsauktoritet eller elektriker kontaktas.

A berendezés csak megfelelő védőföldeléssel működtethető. Ne iktassa ki a földelés csatlakozóját, és ne üzemeltesse a berendezést szabályosan felszerelt földelő vezeték nélkül! Ha nem biztos benne, hogy megfelelő földelés áll rendelkezésbe, forduljon a helyi elektromos hatóságokhoz vagy egy villanyszerelőhöz.

Предупреждение Данное устройство должно быть заземлено. Никогда не отключайте провод заземления и не пользуйтесь оборудованием при отсутствии правильно подключенного провода заземления. За сведениями об имеющихся возможностях заземления обратитесь к соответствующим контролирующим организациям по энергоснабжению или к инженеру-электрику.

警告 此设备必须接地。切勿使接地导体失效，或者在没有正确安装接地导体的情况下操作该设备。如果您不能肯定接地导体是否正常发挥作用，请咨询有关电路检测方面的权威人士或电工。

警告 この装置はアース接続する必要があります。アース導体を破損しないよう注意し、アース導体を正しく取り付けないまま装置を稼働させないでください。アース接続が適正であるかどうか分からない場合には、電気検査機関または電気技術者に相談してください。

주의 이 장비는 접지되어야 합니다. 접지 도체를 결코 파기하거나 적절히 설치된 접지 도체 없이 장비를 작동하지 마십시오. 사용 가능한 적절한 접지가 확실치 않은 경우 해당 전기 검사 관청 또는 전기 기술자에게 문의하십시오.

Aviso **Este equipamento deve ser aterrado. Nunca anule o fio terra nem opere o equipamento sem um fio terra adequadamente instalado. Fale com uma autoridade de fiscalização de instalações elétricas apropriada ou com um eletricista se você não tiver certeza quanto à eficiência do aterramento.**

Upozornění **Toto zařízení musí být uzemněno. Nikdy nepřerušujte zemnicí vodič ani nepoužívejte zařízení bez odpovídajícího zemnicího vodiče. Nejste-li si jisti, zda je zařízení vhodně uzemněno, obraťte se na revizního technika či elektrikáře.**

Προειδοποίηση **Ο παρών εξοπλισμός πρέπει να είναι γειωμένος. Μην καταστρέψετε ποτέ τον αγωγό γείωσης και μη χρησιμοποιήσετε ποτέ τον εξοπλισμό χωρίς να υπάρχει κατάλληλα εγκατεστημένος αγωγός γείωσης. Εάν δεν είστε βέβαιοι ότι υπάρχει κατάλληλη γείωση, επικοινωνήστε με τις αρμόδιες αρχές ή συμβουλευθείτε έναν ηλεκτρολόγο.**

אזהרה **ציוד זה חייב להיות מוארק. לעולם אין לנתק את מוליך ההארקה או להפעיל את הציוד בהעדר מוליך הארקה מותקן כראוי. אם אינך בטוח שקיימת הארקה הולמת, פנה לרשות המפקחת על החשמל או לחשמלאי.**

Ostrzeżenie **Sprzęt ten musi być uziemiony. Nigdy nie należy usuwać przewodu uziemiającego lub używać sprzętu bez prawidłowo zainstalowanego przewodu uziemiającego. W przypadku braku pewności czy zapewnione jest prawidłowe uziemienie, należy skontaktować się z odpowiednim urzędem inspekcji elektrycznych lub elektrykiem.**

- Upozornenie** Toto zariadenie musí byť uzemnené. Uzemňovací vodič nikdy neodpájajte a zariadenie nikdy neprevádzkujte bez správne pripojeného uzemňovacieho vodiča. Ak máte pochybnosti o dostupnosti vhodného uzemnenia, obráťte sa na príslušný úrad na kontrolu elektrických zariadení alebo na elektrikára.
- Opozorilo** Ta naprava mora biti ozemljena. Nikoli ne odklapljajte ozemljitve oz. upravljajte naprave, ki ni primerno ozemljena. V primeru, da niste sigurni, ali imate primerno ozemljitev, nemudoma pokličite pooblaščen električni servis ali električarja.
- 警告** 本設備必須接地。切勿使接地連接器失效，或缺乏適當安裝的接地連接器就貿然操作裝置。若您不確定是否有適當的接地安排，請聯絡合適的專業電氣檢查機構或電氣專家。
-

Statement 1040—Product Disposal



- Warning** **Ultimate disposal of this product should be handled according to all national laws and regulations.** Statement 1040
- Waarschuwing** **Het uiteindelijke wegruimen van dit product dient te geschieden in overeenstemming met alle nationale wetten en reglementen.**
- Varoitus** **Tämä tuote on hävitettävä kansallisten lakien ja määräysten mukaisesti.**
- Attention** **La mise au rebut ou le recyclage de ce produit sont généralement soumis à des lois et/ou directives de respect de l'environnement. Renseignez-vous auprès de l'organisme compétent.**
- Warnung** **Die Entsorgung dieses Produkts sollte gemäß allen Bestimmungen und Gesetzen des Landes erfolgen.**

Avvertenza Lo smaltimento di questo prodotto deve essere eseguito secondo le leggi e regolazioni locali.

Advarsel Endelig kassering av dette produktet skal være i henhold til alle relevante nasjonale lover og bestemmelser.

Aviso Deitar fora este produto em conformidade com todas as leis e regulamentos nacionais.

¡Advertencia! Al deshacerse por completo de este producto debe seguir todas las leyes y reglamentos nacionales.

Varning! Vid deponering hanteras produkten enligt gällande lagar och bestämmelser.

A készülék végső elhelyezéséről az adott országban érvényes törvények és előírások szerint kell intézkedni.

Предупреждение Окончательная установка данного изделия должна выполняться в соответствии со всеми региональными и местными правилами и нормами.

警告 本产品的废弃处理应根据所有国家的法律和规章进行。

警告 この製品を廃棄処分する際は、各国の法律および規制に従って取り扱ってください。

주의 해당 국가의 관련 법규 및 규정에 따라 이 장치를 폐기해야 합니다.

تحذير عند التخلص من المنتج يجب اتباع القوانين والتشريعات المحلية.

Upozorenje Zbrinjavanje ovoga proizvoda u otpad treba provesti u skladu s važećim zakonima i odredbama.

Upozornění Upozornění: Likvidace tohoto výrobku musí být provedena podle platných zákonů a předpisů.

Προειδοποίηση Η τελική απόρριψη αυτού του προϊόντος πρέπει να γίνεται σύμφωνα με όλους τους εθνικούς νόμους και κανονισμούς.

אזהרה סילוק סופי של מוצר זה חייב להיות בהתאם להנחיות ולחוקי המדינה.

Орорена Крајното фрлање на овој производ треба да се изврши во согласност со сите национални закони и прописи.

Ostrzeżenie **Ostateczna likwidacja tego urządzenia po jego wycofaniu z eksploatacji powinna odbywać się zgodnie z przepisami krajowymi.**

Upozornenie **Upozornenie Likvidácia tohto výrobku musí byť vykonaná podľa platných zákonov a predpisov.**

Opozorilo **Uničenje izdelka, ki ni več uporaben, mora potekati po državnih zakonih in predpisih.**

警告 本產品的最終處理必須遵照國家/地區的所有法律與法規。

A készülék végső elhelyezéséről az adott országban érvényes törvények és előírások szerint kell intézkedni.

Предупреждение Окончательная установка данного изделия должна выполняться в соответствии со всеми региональными и местными правилами и нормами.

Statement 371—Power Cable and AC Adapter

When installing the product, please use the provided or designated connection cables/power cables/AC adaptors/batteries. Using any other cables/adaptors could cause a malfunction or a fire. Electrical Appliance and Material Safety Law prohibits the use of UL-certified cables (that have the “UL” or “CSA” shown on the cord), not regulated with the subject law by showing “PSE” on the cord, for any other electrical devices than products designated by Cisco.

接続ケーブル、電源コード、ACアダプタ、バッテリーなどの部品は、必ず添付品または指

Statement 157—VCCI Compliance for Class B Equipment

Warning

This is a Class B product based on the standard of the Voluntary Control Council for Interference from Information Technology Equipment (VCCI). If this is used near a radio or television receiver in a domestic environment, it may cause radio interference. Install and use the equipment according to the instruction manual.

警告 この装置は、クラスB情報技術装置です。この装置は、家庭環境で使用することを目的としていますが、この装置がラジオやテレビジョン受信機に近接して使用されると、受信障害を引き起こすことがあります。
取扱説明書に従って正しい取り扱いをして下さい。

VCCI-B

Cisco and the Cisco Logo are trademarks of Cisco Systems, Inc. and/or its affiliates in the U.S. and other countries. A listing of Cisco's trademarks can be found at www.cisco.com/go/trademarks. Third party trademarks mentioned are the property of their respective owners. The use of the word partner does not imply a partnership relationship between Cisco and any other company. (1005R).

Free Manuals Download Website

<http://myh66.com>

<http://usermanuals.us>

<http://www.somanuals.com>

<http://www.4manuals.cc>

<http://www.manual-lib.com>

<http://www.404manual.com>

<http://www.luxmanual.com>

<http://aubethermostatmanual.com>

Golf course search by state

<http://golfingnear.com>

Email search by domain

<http://emailbydomain.com>

Auto manuals search

<http://auto.somanuals.com>

TV manuals search

<http://tv.somanuals.com>