



Holmes Products (Europe) Ltd  
1 Francis Grove  
London SW19 4DT  
England

Fax: +44 (0)20 8947 8272  
Email: info-europe@theholmesgroup.com  
UK - Filter Sales Order Line - 0870 759 9000  
Website address: www.theholmesgroup.com/europe  
UK - Free phone Customer Service Helpline - 0800 052 3615

Holmes Products France  
1015, Rue du Maréchal Juin  
Z.I Vaux - Le - Pénil  
77000 Melun - France  
Phone: +33 1 64 10 45 80  
Fax: +33 1 64 10 02 32

FRANCE - SERVICE CONSOMMATEURS

 0 825 85 85 82

Belgium	+32 38 70 86 86
Czech Republic	+420 48 513 03 03
Denmark	+45 45 93 43 73
Finland	+358 98 70 870
Greece	+30 2 10 61 56 400
Hungary	+36 72 482 017
Netherlands	+31 793 41 77 71
Norway	+47 51 66 99 00
Poland	+48 22 847 8968
Russia	+7 095 334 82 21
Spain	+34 91 64 27 020
Sweden	+46 31 29 09 80



BWM5075/5075CI/IUK04M1

 BIONAIRE™

**Warm Mist**  
Humidifier  
BWM5075  
BWM5075C

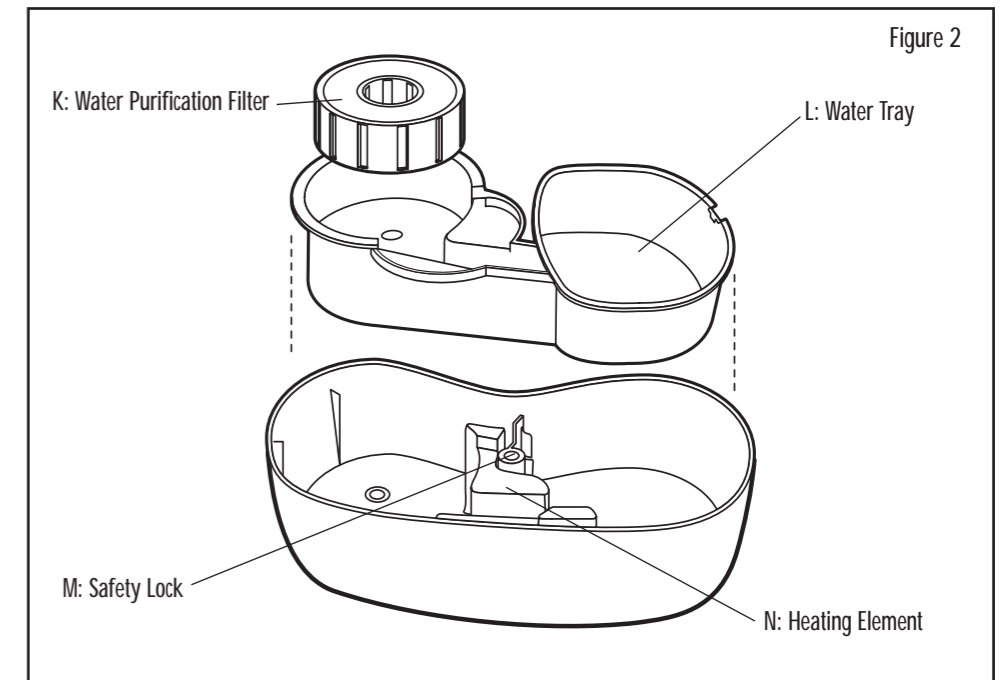
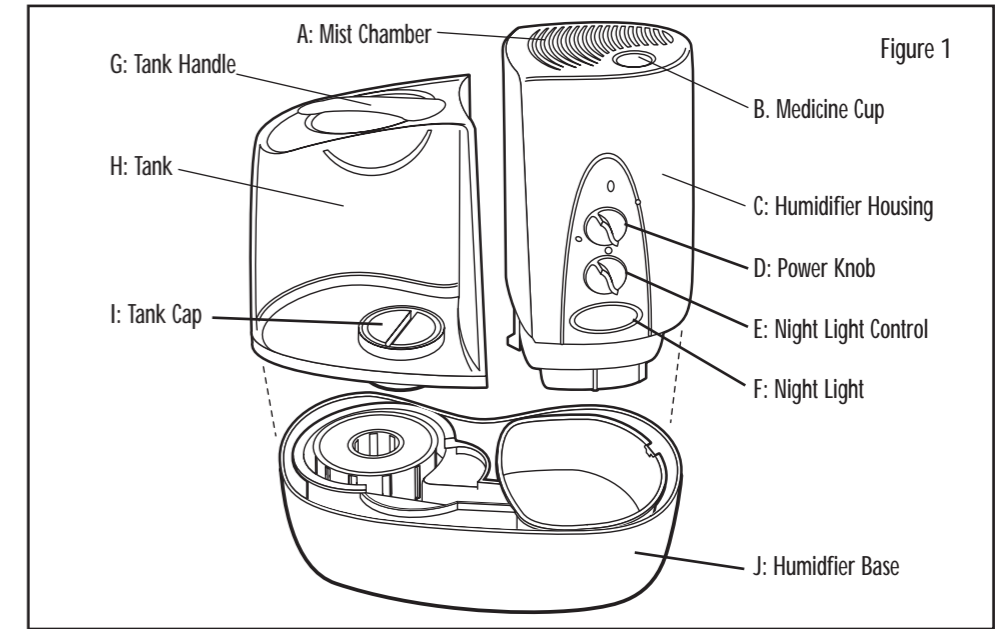


INSTRUCTION MANUAL  
MANUEL D'UTILISATION  
BENUTZERHANDBUCH  
HANDLEIDING  
KÄYTTÄJÄN OHJEKIRJA  
BRUGSANVISNING  
BRUKSANVISNING

MANUAL DE INSTRUCCIONES  
MANUALE DI ISTRUZIONI  
ΡΥΚΟΒΟΔΣΤΒΟ  
HASZNÁLATI UTASÍTÁS  
NÁVOD K OBSLUZE  
ΕΓΧΕΙΡΙΔΙΟ ΟΔΗΓΙΩΝ ΧΡΗΣΗΣ  
INSTRUKCJA  
MANUAL DE INSTRUÇÕES

English	2
Français/French	6
Deutsch/German	11
Nederlands/Dutch	16
Suomi/Finnish	21
Norsk/Norwegian	25
Dansk/Danish	29
Svenska/Swedish	34
Español/Spanish	38
Italiano/Italian	42
РУССКОЕ/Russian	47
Magyar/Hungarian	52
Česky/Czech	57
ΕΛΛΗΝΙΚΑ/Greek	61
Polski/Polish	66

BWM5075



## U.K. and IRELAND

### Congratulations

By choosing a Bionaire™ humidifier, you have chosen one of the finest humidifiers on the market today

PLEASE READ AND SAVE THESE IMPORTANT INSTRUCTIONS.

NOTE: Before reading these instructions, please refer to the corresponding illustrations

Descriptions (See fig 1/2)

- A. Mist Chamber
- B. Medicine Cup
- C. Humidifier Housing
- D. Power Knob
- E. Night Light Control
- F. Night Light
- G. Tank Handle
- H. Tank
- I. Tank Cap
- J. Humidifier Base
- K. Water Purification Filter
- L. Water Tray
- M. Safety Lock
- N. Heating Element

### SAFETY PRECAUTIONS

When using electrical appliances, basic safety precautions should always be followed to reduce the risk of fire, electric shock, and injury to persons, including the following:

1. Read all instructions before using the appliance.
2. To avoid fire or shock hazard, plug the appliance directly into an electrical outlet and fully insert the plug.
3. Keep the cord out of heavy traffic areas. To avoid fire hazard, NEVER put the cord under rugs, or near radiator, stoves, or heaters.
4. DO NOT place humidifier near heat sources such as stoves, radiators, and heaters. Do locate your humidifier on an inside wall near an electrical outlet. The humidifier should be at least 10cm/4" away from the wall for best results.
5. WARNING: This humidifier produces hot steam and therefore should not be placed in an area where it is accessible to children. Never use a humidifier in a closed room. (i.e: doors and windows closed) as it may result in excessive humidity.
6. WARNING: Do not attempt to refill humidifier without first unplugging the unit from it's

- electrical outlet. Be sure to pull by the plug and not the cord.
7. NEVER drop or insert any object into any openings. DO NOT place hands, face, or body directly over or near Moisture Outlet while unit is in operation. DO NOT cover Moisture Outlet or place anything over it while the unit is operating.
8. DO NOT operate any appliance with a damaged cord or plug, after the appliance malfunctions, or if it has been dropped or amaged in any manner. Return appliance to manufacturer for examination, electrical or mechanical adjustment, or repair.
9. Use appliance only for intended household use as described in this manual. Any other use not recommended by the manufacturer may cause fire, electric shock, or injury to persons. The use of attachments not recommended or sold by The Holmes Group, may cause hazards.
10. DO NOT use outdoors.
11. Always place humidifier on a firm, flat, level surface. A waterproof mat or pad is recommended for under the humidifier. NEVER place it on a surface that may become damaged by exposure to water and moisture (i.e. finished floor).
12. DO NOT allow the Moisture Outlet to directly face the wall. Moisture could cause damage, particularly to wallpaper.
13. Humidifier should be unplugged when not in use.
14. NEVER tilt, move, or attempt to empty unit while it is operating. Shut off and unplug before removing the water tank and moving the unit. DO NOT attempt to remove the water tank within 15 minutes after the humidifier is turned off and unplugged. Serious injury may result.
15. This humidifier requires regular maintenance to operate appropriately. Refer to cleaning and maintenance procedures.
16. NEVER use detergents, petrol, glass cleaner, furniture polish, paint thinner, or other household solvents to clean any part of the humidifier.
17. Excessive humidity in a room can cause water condensation on windows and some furniture. If this happens, turn the humidifier OFF
18. Do not use humidifier in an area where humidity level is in excess of 55%.
19. DO NOT attempt to repair or adjust any electrical or mechanical functions on this unit. The inside of the unit contains no user serviceable parts. All servicing should be performed by qualified personnel only.

20. If the supply cord is damaged, it must be replaced by the manufacturer or its service agent or a similarly qualified person.

### PLEASE SAVE THESE INSTRUCTIONS

Please note that this is an electrical appliance, and requires attention when in use.

### How Your Warm Mist Humidifier Works

Your Bionaire™ Warm Mist Humidifier is designed to allow the proper amount of water to flow out of the tank and through the water purification filter. The filter takes most of the minerals and sediment out of the water before the water enters the heating chamber where the Electronic Thermal Control heating element warms the water. Air is drawn in through the grill openings located in the back of the unit and mixed with steam in the misting chamber. The warm mist is then dispersed out of the top of the misting chamber through the outlet grill and into the room.

NOTE: A humidity level below 30% can be unhealthy and uncomfortable. The recommended humidity level is between 45%-55%.

### PRE-OPERATING INSTRUCTIONS

1. Be sure the humidifier is disconnected from the electrical outlet and the power knob is in the 0 - off position.
2. Select a location for your humidifier, on a flat surface, about 10cm away from the wall. Do not place your humidifier on furniture. A floor location that will not be damaged by moisture is best.
3. Remove the water tank (see Figure 1). Remove the Water Purification Filter, and hold it under a cold running tap for at least 1 minute to ensure it is thoroughly wet. Then replace it in the water tray.
4. Make sure the water tray is free of foreign objects by removing the Mist Chamber. To remove this stack you must move the Safety Lock (M) that secures both parts in place. (Replace the Mist Chamber over the heating element and make sure that the Safety Lock knob is in the "Lock" position).

### Filling the Water Tank

NOTE: This humidifier holds about 5.5 litres of water in the tank and humidifier base. The humidifier will produce up to 11.5 litres of moisture over a 24-hour period.

1. Be sure the humidifier is disconnected from the electrical outlet and the power knob is in the 0 - off position. Remove the water tank.

2. Twist off the tank cap located on the bottom of the reservoir by turning counter clockwise and fill the water tank with cool, fresh water. Do not fill with warm water as this may cause leaking.
3. After filling the tank, replace the tank cap by firmly turning clockwise and then replace the water tank on the base. The tank will immediately begin to empty into the base.
4. Plug the power cord into a convenient and suitable power supply.

### OPERATING INSTRUCTIONS (See Fig 2) IMPORTANT

When using the water purification filter in the humidifier for the first time, or after a period of non-use (i.e. 48 hours), pre-soak the filter under a cold running tap for 1 minute. Replace the filter in the unit and allow 5 minutes for the water to pass. Then, carefully lift the water tank and check if the water tray (I) is 2/3 full of water. If not, replace the water tank and wait a further 5 minutes until the water reaches the desired level.

DO NOT switch on the humidifier until the water tray is 2/3 full of water.

1. Turn the power knob to the I position. It is normal for the humidifier to take about 2-3 minutes to warm up and begin to mist.
2. The Medicine Cup (B) is located on the top of the Mist Chamber (A). To use, pour designated humidifier medication into the groove. DO NOT add medication to the water tank DO NOT add medication to the medicine cup when the unit is already operating.

### Nightlight

1. To activate nightlight(☾), move the knob to the on (I) position.
2. To maximize bulb life, turn the nightlight(☾) off (O) during the day.

### RESET PROCEDURE

NOTE: When the water tank is empty and the water in the Heating Chamber is almost empty, the re-fill light (red) will illuminate and the Automatic Shut-off will activate. The unit will not operate again until you refill the water tank and reset the humidifier.

1. Turn the power knob anti-clockwise on to RESET(☺).
2. Unplug the unit.
3. Remove and refill the water tank. Replace the tank onto the base.
4. Wait 5 minutes for the Automatic Shut-Off to reset.
5. After the 5 minutes, plug in the unit and turn

the Power Knob to I. In about 2-3 minutes, the humidifier will begin to produce moisture.

6. If the refill light remains lit, unplug the humidifier and wait a further 5 minutes.

#### IMPORTANT:

If you do not plan to use the humidifier for two or more days, make sure any residual water is drained from the water tank and base to prevent algae or bacteria growth.

#### Replacing the Water Purification Filter

The water purification filter is used to retain minerals in your water and provide a clean moisture output. The filter life is determined by the average daily use of your humidifier and the water hardness in your area. Areas with hard water will require more frequent replacement of the filter. It is strongly recommended that the filter be replaced at least every 2-3 months (depending on use) or when the heating element is starting to gather minerals on it.

#### To Replace the Filter:

1. Switch the humidifier to 0 - off and unplug. Remove the tank, drain any water from the base, lift out the used filter, and throw it away.
2. Remove the protective bag from the new filter and pre-soak the filter under a cold running tap for 1 minute. Place the soaked filter into the base (see Figure 2) and replace the tank allowing at least 5 minutes for the water to pass before switching the unit ON (I).

#### Cleaning and Maintenance Instruction

The following maintenance procedures must be routinely followed in order to ensure proper, efficient operation of your humidifier. The unit WILL FAIL if it is not cleaned properly.

Regular cleaning prevents scale build-up on the heating element and tray. It also prevents micro-organisms from growing on the tray and tank. This ensures that maximum efficiency will be achieved. We cannot over-emphasize how essential proper cleaning is to the maintenance and continued use of your unit and the avoidance of algae or bacteria build-up.

#### Regular Maintenance

The frequency of maintenance will depend on the average daily use of your humidifier and the water hardness of your area. It is recommended that this procedure is carried out weekly or more regularly if necessary.

1. Before cleaning, set the control to 0 - off

position and unplug the unit from the electrical outlet.

2. Remove the water tank then unlock the misting chamber by rotating the safety lock. Lift mist chamber from the unit's base. Now lift the tray from the base.
3. Empty water and minerals from the tray and wash it through to remove any sediment and dirt that has accumulated in the tray.

NOTE: It is imperative that the tray is cleaned properly. The tray is dishwasher safe for easy cleaning (Top rack of the dishwasher only).

4. Rinse out the tank out and refill with clean cool water.
5. Wipe the heating element clean with a soft cloth after it has had a chance to cool.

WARNING: If the misting chamber is left assembled to the humidifier, it may take up to an hour before the heating element is sufficiently cool to be touched.

This humidifier heats the water producing a clean moisture. Some of the impurities from the water are collected in the Heating Chamber. The Electronic Thermal Control Heating element is lined with a Teflon coating that is designed to provide the easiest cleaning to prolong the operating efficiency of the humidifier.

DO NOT use any metal or hard objects to clean the Heating Element. The coating can be scratched if cleaned improperly.

Never use detergents, gasoline, kerosene, glass cleaner, furniture polish, paint thinner or other household solvents to clean any part of the humidifier.

#### De-scaling Maintenance

- Scale needs to be removed as it becomes noticeable. We recommend using Bionaire™ Clean Away - Humidifier cleaning solution.
- Apply Solution with a plastic brush to scale surfaces. Let it soak until residue is softened. For cleaning the tank, mix 2 capsules of solution with 2 litres of water. Let mixture stand for several minutes, swishing every few minutes. Drain solution and THOROUGHLY RINSE the tank.

If not available follow these instructions:

1. Repeat steps 1-3 in the Maintenance section.
2. Clean the tray by partially filling the tray with 200ml of undiluted white vinegar. If the element is heavily scaled, plug the humidifier into an electrical socket and turn it ON for no longer than 15 seconds. After this time turn the

humidifier OFF and unplug it from the electrical outlet.

Let solution stand 20 minutes, cleaning all interior surfaces with a soft brush. Dampen a cloth with undiluted white vinegar and wipe out entire tray to remove scale.

3. Rinse with clean warm water to remove scale and the white vinegar solution before beginning to disinfect the tank.
4. Wipe the heating element clean with a soft cloth after it has had a chance to cool.

#### Disinfect tank:

1. Fill tank with 1 teaspoon of bleach and 3.5 litres of water.
2. Let the solution stand for 20 minutes, swishing every few minutes. Wet all surfaces.
3. Empty the tank after 20 minutes, and rinse well with water until the bleach smell is gone. Dry with some paper towel.
4. Refill the water tank with cool water; replace the water tank. Repeat Operating Instructions.

#### Storage Instructions

If your humidifier will not be in use for two days or more, or at the end of the season follow these instructions.

1. Clean, rinse and thoroughly dry the humidifier as directed in the De-scaling Maintenance section. DO NOT leave any water inside the base or tray.
2. Remove the reservoir cap. Do not store with the reservoir cap in place.
3. Remove and throw away the filter
4. Place the humidifier in the original carton and store in a cool, dry place.
5. Clean the humidifier before the next season begins.
6. Order a replacement filter to start the next season.

#### SERVICE INSTRUCTIONS

1. Do NOT attempt to repair or adjust any electrical or mechanical functions on this unit. Doing so will void the warranty. The insides of the unit contain no user serviceable parts. Only qualified personnel should perform all servicing.
2. Should the unit stop working, first check the fuse in the plug (UK only) or fuse/circuit breaker at the distribution board is operating, before contacting the manufacturer or service agent.

3. If you need to exchange the unit, please return it in its original carton, with a sales receipt, to the store where you purchased it.

4. Should your humidifier require service, please contact your local dealer.

#### ACCESSORIES FOR MODEL BWM5075

- WMF-50 Water Purification Filter
- We recommend the use of a Bionaire™ / Hygrometer/ Thermometer, model NO: BT400, to read the indoor room temperature and humidity level.
- Bionaire™ Cleaning Solution

#### TECHNICAL SPECIFICATIONS

Input voltage: 220-240 V~ 50 Hz

Power consumption: 400 Watts (max)

The Holmes Group reserves the right to change or modify any specifications without notice.

THIS PRODUCT IS MANUFACTURED TO COMPLY WITH THE E.E.C. DIRECTIVES 73/23/EEC and 89/336/EEC.

#### For U.K. and Ireland only:

If the plug is not suitable for the socket outlets in your home, it can be removed and replaced by a plug of the correct type.

Please refer to "Installation of a plug" below.

Installation of a plug Applicable to U.K. and Ireland.

WARNING - THIS APPLIANCE MUST BE EARTHED

The wires in the mains lead are coloured as such:

GREEN AND YELLOW - EARTH

BROWN - LIVE

BLUE - NEUTRAL

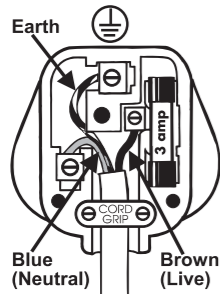
Please note that the colour of these mains wires may not correspond with the colour markings that identify the terminals in your plug.

Please proceed as follows:

The wire which is coloured GREEN AND YELLOW must be connected to the terminal which is marked with the letter 'E' or by the earth symbol  $\oplus$  or coloured GREEN or GREEN AND YELLOW.

The BROWN coloured wire must be connected to the terminal, which is marked with the letter "L" or is coloured RED.

The BLUE coloured wire must be connected to the terminal, which is marked with the letter "N" or is coloured BLACK.



**NOTE:** If the terminals in the plug are not marked or if you are unsure or in doubt about the installation of the plug please contact a qualified electrician. If a 13A 3-pin plug is fitted, it must be an ASTA approved plug, conforming to BS1363 standard. Replacement 3A fuses must be BSI or ASTA BS1362 approved.

#### GUARANTEE

PLEASE KEEP YOUR RECEIPT AS THIS WILL BE REQUIRED FOR ANY CLAIMS UNDER THIS GUARANTEE.

- This product is guaranteed for 2 years.
- In the unlikely event of breakdown, please take it back to the place of purchase, with your till receipt and a copy of this guarantee.
- The rights and benefits under this guarantee are additional to your statutory rights which are not affected by this guarantee.
- Holmes Products Europe undertakes within the specific period, to repair or replace free of charge, any part of the appliance found to be defective provided that:
  - We are promptly informed of the defect.
  - The appliance has not been altered in any way or subjected to misuse or repair by a person other than a person authorised by Holmes Products Europe.
- No rights are given under this guarantee to a person acquiring the appliance second hand or for commercial or communal uses.
- Any repaired or replaced appliance will be guaranteed on these terms for the remaining portion of the guarantee.

## FRANÇAIS

#### Félicitations

En choisissant un humidificateur Bionaïre™, vous avez choisi l'un des meilleurs humidificateurs actuellement disponibles sur le marché. VEUILLEZ LIRE ET CONSERVER CE MODE D'EMPLOI IMPORTANT.

**NOTA:** Veuillez consulter les diagrammes avant de lire le manuel d'utilisation.

Description (Voir la Figure 1/2/3)

- a. Bouton de mise sous tension
- b. Réservoir d'eau
- c. Filtre de purification de l'eau
- d. Bac à eau
- e. Chambre de condensation
- f. Verrou de sécurité
- g. Bouchon du réservoir
- h. Élément chauffant
- i. Veilleuse

#### MESURES DE SECURITE

Lors de l'utilisation d'appareils électriques, il faut toujours observer des mesures de sécurité élémentaires pour réduire les risques d'incendie, de choc électrique et de blessures corporelles; il convient tout particulièrement de :

1. Lire toutes les consignes avant d'utiliser l'appareil.
2. Branchez directement l'appareil sur une prise électrique et d'enfoncer la prise à fond pour éviter les risques d'incendie ou de choc électrique.
3. Conserver le cordon hors des zones soumises à un passage intense. Pour éviter les risques d'incendie, NE placez JAMAIS le cordon sous des tapis, à proximité de radiateurs, de fours ou d'appareils de chauffage.
4. NE placez PAS l'humidificateur à proximité de sources de chaleur comme les fours, les radiateurs et les appareils de chauffage. Placez votre humidificateur sur un mur intérieur près d'une prise électrique. Pour obtenir les meilleurs résultats possibles, l'humidificateur doit être à au moins 100 mm du mur.
5. NE placez JAMAIS l'humidificateur à la portée des enfants. N'utilisez JAMAIS l'humidificateur dans une pièce fermée complètement (si la pièce est fermée, l'humidité pourra atteindre un niveau excessif).

6. **AVERTISSEMENT:** Il faut toujours débrancher l'humidificateur de la prise électrique avant de le remplir. Pour débrancher la prise, tirez sur le corps de celle-ci et non sur le cordon.

7. NE laissez JAMAIS tomber ou n'introduisez jamais d'objets dans aucune des ouvertures. NE placez PAS les mains, le visage ou le corps directement sur ou à proximité immédiate de la bouche de buée lorsque l'appareil est en marche. NE couvrez PAS la bouche de buée et NE placez AUCUN objet au-dessus de l'appareil lorsqu'il est en marche.

8. NE faites PAS fonctionner l'appareil si le cordon ou la prise sont endommagés, à la suite d'un mauvais fonctionnement, si vous l'avez fait tomber ou s'il a subi une avarie. Renvoyez l'appareil au fabricant pour examen, réglage électrique ou mécanique, ou réparation.

9. N'utilisez l'appareil que pour l'emploi domestique pour lequel il a été conçu comme décrit dans ce manuel. Tout autre emploi non recommandé par le fabricant peut provoquer des incendies, des chocs électriques, ou des blessures corporelles. L'utilisation d'accessoires amovibles non recommandés ou vendus par The Holmes Group peut être cause de risques.

10. N'utilisez PAS l'appareil en plein air.

11. Placez toujours l'humidificateur sur une surface solide, plate et de niveau. Il est recommandé de placer l'humidificateur sur un tapis étanche à l'eau. Ne le placez jamais sur une surface risquant d'être abîmée par l'eau ou l'humidité (par exemple les planchers finis).

12. NE placez JAMAIS directement la bouche de buée face au mur. L'humidité peut endommager le revêtement mural, et le papier peint en particulier.

13. Il faut débrancher l'humidificateur lorsqu'il n'est pas en marche.

14. N'inclinez, NE déplacez ou NE videz JAMAIS l'appareil lorsqu'il est en marche. Eteignez l'appareil et débranchez-le avant d'enlever l'eau du réservoir et de le déplacer.

15. Pour fonctionner convenablement, cet humidificateur doit subir des opérations de nettoyage journalières et hebdomadaires. Voir les procédures de nettoyage journalier et hebdomadaire.

16. N'utilisez JAMAIS de détergents, d'essence, de nettoyants à carreaux, d'encaustique, de diluants pour la peinture ou d'autres solvants

ménagers pour nettoyer une partie quelconque de l'humidificateur.

17. Toute humidité excessive dans une pièce peut provoquer de la condensation sur les fenêtres et sur certains meubles. Dans ce cas, éteignez l'humidificateur.

18. N'utilisez pas l'humidificateur dans une région où le degré d'humidité dépasse 55%.

19. NE tentez PAS de réparer ou de régler les fonctions électriques ou mécaniques de cet appareil. Cet appareil ne contient aucune pièce qui puisse être entretenue par l'utilisateur. Toutes les opérations d'entretien doivent être confiées à un personnel qualifié.

20. Si le cordon d'alimentation est endommagé, renvoyez l'appareil au fabricant ou son agent de vente ou à un centre d'entretien qualifié pour le faire réparer ou remplacer.

#### VEUILLEZ CONSERVER CES INSTRUCTIONS

Veillez noter que cet appareil est un appareil électrique et qu'à ce titre il requiert une vigilance particulière lorsqu'il est en marche.

Modalités de fonctionnement de votre humidificateur à BRUME chaude

Votre humidificateur Bionaïre™ à buée chaude est conçu pour permettre à la quantité d'eau voulue de sortir du réservoir et de circuler dans le filtre de purification de l'eau. Le filtre élimine la plupart des minéraux et des sédiments de l'eau avant que celle-ci ne pénètre dans la chambre de chauffe. L'eau est chauffée par l'élément chauffant. L'air est aspiré au travers des ouvertures de la grille située à l'arrière de l'appareil et est mélangée à la vapeur dans la chambre de condensation. La buée chaude est alors dispersée par le haut de la chambre de condensation au travers de la grille de sortie et dégagée dans la pièce.

**NOTA :** un degré d'humidité inférieure à 30% peut être malsain et inconfortable. Le degré d'humidité recommandé est de 45% à 55%.

#### AVANT L'UTILISATION

1. Vérifiez que l'humidificateur est débranché de la prise électrique et que le bouton de mise sous tension est sur la position 0 - (Arrêt).
2. Sélectionnez l'emplacement de votre humidificateur, placez-le sur une surface plate, à environ 10 cm du mur. Ne posez pas votre humidificateur sur des meubles. Placez de préférence l'appareil sur un plancher qui ne

sera pas endommagé par l'humidité.

3. Enlevez le réservoir d'eau (voir la Figure 1), Retirez le filtre de purification de l'eau et rincez-le sous l'eau courante froide pendant au moins 1 minute pour qu'il soit complètement mouillé. Puis remplacez-le dans le bac à eau.
4. Enlevez la chambre de condensation pour vous assurer qu'il n'y a pas de corps étrangers dans le bac à eau. Pour enlever cet élément, vous devez déplacer le verrou de sécurité qui maintient les deux pièces en place. (Remettez la chambre de condensation en place sur l'élément chauffant et veillez à ce que le verrou de sécurité (F) soit sur la position "Lock" (Verrouillé).

Remplissage du réservoir d'eau

NOTA : cet humidificateur contient environ 4.5 litres d'eau dans le réservoir et le socle. L'humidificateur produit jusqu'à 11.5 litres d'humidité sur une période de 24 heures.

1. Vérifiez que l'humidificateur est débranché de la prise électrique et que le bouton de mise sous tension est sur la position 0 - (Arrêt). Retirez le réservoir d'eau.
2. Enlevez le bouchon du réservoir situé au fond de celui-ci en le faisant tourner dans le sens inverse des aiguilles d'une montre et remplissez le réservoir d'eau douce et fraîche. Ne le remplissez pas d'eau chaude, ceci peut provoquer des fuites.
3. Après avoir rempli le réservoir, remettez le bouchon en place en le faisant fermement tourner dans le sens des aiguilles d'une montre et remettez le réservoir d'eau sur le socle. Le réservoir commence immédiatement à se vider dans le socle.
4. Branchez le cordon d'alimentation sur une prise électrique pratique et appropriée.

CONSIGNES D'UTILISATION (Voir la Figure 2)

Lors de la première utilisation du filtre de purification de l'eau dans l'humidificateur ou après une période de non-utilisation prolongée (c'est-à-dire 48 heures), passez le filtre sous de l'eau courante pendant 1 minute. Remplacez le filtre dans l'appareil et attendez 5 minutes jusqu'à ce que l'eau passe au travers du filtre.

Puis soulevez doucement le réservoir d'eau et vérifiez que le bac à eau (D) est rempli aux deux tiers. Dans le cas contraire, remplacez le réservoir d'eau et attendez 5 minutes supplémentaires jusqu'à ce que l'eau atteigne le niveau souhaité.

Mettez SEULEMENT l'humidificateur en marche lorsque le bac à eau est rempli aux deux tiers.

1. Soulevez doucement le réservoir d'eau et vérifiez que le bac à eau (D) est rempli aux deux tiers. Dans le cas contraire, remplacez le réservoir d'eau et attendez 5 minutes supplémentaires jusqu'à ce que l'eau atteigne le niveau désiré.
2. Mettez le bouton de mise sous tension sur la position I. Il faut à l'humidificateur environ 2-3 minutes pour chauffer et commencer à dégager de la buée.
3. Le godet à huiles essentielles se trouve dans la partie supérieure de la chambre de condensation. Pour l'utiliser, versez le médicament prescrit dans la rainure. N'ajoutez PAS de médicament dans le réservoir à eau. N'ajoutez PAS de médicament dans le godet lorsque l'appareil est déjà en marche.

Veilleuse

1. Pour allumer la veilleuse, tourner le bouton sur la position 'on'
2. Pour prolonger la durée de vie de l'ampoule, éteindre la veilleuse durant la journée

PROCEDURE DE REINITIALISATION

NOTA : Lorsque le réservoir d'eau est vide et qu'il n'y a presque plus d'eau dans la chambre de chauffe, le dispositif d'arrêt automatique se déclenche. Le voyant REINITIALISATION s'allume et l'appareil ne se remet pas en marche avant que le réservoir d'eau n'ait été rempli et l'humidificateur réinitialisé.

1. Faites tourner le bouton d'alimentation dans le sens inverse des aiguilles d'une montre pour le mettre sur RESET (Réinitialisation).
2. Débranchez l'appareil.
3. Enlevez et remplissez le réservoir d'eau, en observant bien les consignes de nettoyage. Remplacez le réservoir sur le socle.
4. Attendez 5 minutes pour permettre la réinitialisation du dispositif d'arrêt automatique.
5. Au bout de 5 minutes, branchez l'appareil et mettez le bouton de mise sous tension sur I. L'humidificateur commence à produire de l'humidité sous 2 à 3 minutes.

IMPORTANT

Si vous n'avez pas l'intention d'utiliser l'humidificateur pendant deux jours ou plus, vidangez toute eau résiduelle du réservoir d'eau et du socle pour éviter que des algues ou des bactéries n'y poussent.

Remplacement du filtre de purification de l'eau

Le filtre de purification de l'eau sert à conserver les minéraux dans votre eau et à assurer une sortie d'humidité propre. La vie utile du filtre est déterminée par l'utilisation journalière moyenne de votre humidificateur et par la dureté de l'eau dans votre région. Dans les régions où l'eau est dure, il faudra remplacer le filtre plus fréquemment. Il est vivement recommandé de remplacer le filtre au minimum tous les 2 à 3 mois (selon le degré d'utilisation) ou lorsque l'élément chauffant commence à s'entartre.

Pour remplacer le filtre :

1. Eteignez l'humidificateur et débranchez-le. Enlevez le réservoir, videz l'eau qui peut s'être accumulée dans le socle, enlevez le filtre usagé et jetez-le.
2. Retirez le sac de protection du nouveau filtre et trempez le filtre sous de l'eau courante froide jusqu'à ce qu'il soit bien mouillé comme indiqué ci-dessus. Placez le filtre mouillé dans le socle (voir la Figure 2) et remplacez le réservoir; permettez à l'eau de passer au travers du filtre pendant au moins 5 minutes.

CONSIGNES DE NETTOYAGE ET D'ENTRETIEN

Les procédures d'entretien suivantes doivent être effectuées régulièrement afin d'assurer que votre humidificateur fonctionnera convenablement et efficacement. L'appareil TOMBERA EN PANNE s'il n'est pas nettoyé comme il faut.

Lorsque l'appareil est utilisé, il est recommandé d'effectuer des procédures de nettoyage journalier et hebdomadaire. Un nettoyage régulier évite l'accumulation de tartre sur l'élément chauffant et le bac. Il évite également que des micro-organismes ne poussent dans le bac et le réservoir. Ceci permet d'assurer que l'appareil fonctionnera à son efficacité maximale.

Nous ne saurions trop insister sur le fait qu'un bon nettoyage est essentiel pour conserver votre appareil en bon état de marche et pour éviter les accumulations d'algues ou de bactéries.

Entretien de routine

La fréquence des opérations d'entretien dépendra de la durée moyenne d'utilisation quotidienne de votre humidificateur et de la dureté de l'eau dans votre région. Nous vous conseillons de suivre la procédure ci-dessous une fois par semaine, ou plus souvent si nécessaire.

1. Avant de procéder au nettoyage, mettez la commande sur la position 0 - Arrêt et débranchez l'appareil de la prise électrique.
2. Enlevez le réservoir d'eau et libérez la chambre de condensation en faisant tourner le verrou de sécurité. Soulevez la chambre de condensation pour l'enlever du socle de l'appareil. Soulevez maintenant le bac du socle.
3. Videz le bac à eau et des minéraux et lavez-le afin de le débarrasser de tout sédiment et toute saleté accumulés. NOTA : il est impératif de nettoyer le bac correctement. Le bac peut être lavé au lave-vaisselle pour un lavage facile (uniquement dans le panier supérieur).
4. Rincez le réservoir et remplissez-le avec de l'eau propre et fraîche.
5. Une fois que l'élément chauffant a refroidi, nettoyez-le avec un linge doux.

AVERTISSEMENT: si la chambre de condensation est encore attachée à l'humidificateur, il faudra jusqu'à une heure avant que l'élément chauffant soit suffisamment froid pour être touché.

Cet humidificateur chauffe l'eau et produit une humidité propre. Une partie des impuretés de l'eau sont recueillies dans la chambre de chauffe. L'élément chauffant à commande thermique électronique est doté d'un revêtement en Téflon qui est conçu pour faciliter le nettoyage et prolonger la vie utile efficace de l'humidificateur. N'utilisez PAS d'objets métalliques ou durs pour nettoyer l'élément chauffant. Vous pourriez égratigner le revêtement si vous ne le nettoyez pas comme il faut.

N'utilisez jamais de détergents, d'essence, de kérosène, de nettoyeurs à carreaux, d'encaustique, de diluants pour la peinture ou d'autres solvants ménagers pour nettoyer les pièces de l'humidificateur.

Détartrage

Il est essentiel de retirer le tartre lorsqu'il commence à s'accumuler.

Nous recommandons Bionaire™ Clean Away, Solution détartrante pour humidificateurs.

Appliquer la solution détartrante sur les surfaces entartrées avec une brosse en plastique. Laisser agir jusqu'à ce que le tartre soit ramolli (plus longtemps sur les surfaces très entartrées). Pour nettoyer le réservoir d'eau, verser deux pleins bouchons de solution dans 2 litres d'eau. Laisser agir plusieurs minutes en remuant souvent, puis rincer à fond.

Enlever le tartre :

1. Effectuez les étapes 1-3 de la section sur le nettoyage régulier.
2. Nettoyez le bac en le remplissant partiellement avec 200 ml de vinaigre blanc non dilué. Laissez agir pendant 20 minutes, et nettoyez toutes les surfaces intérieures avec une brosse douce. Imbibez un linge de vinaigre blanc non dilué et essuyez la totalité du bac pour enlever le tartre.
3. Videz le réservoir au bout de 20 minutes, rincez-le bien à l'eau jusqu'à ce que l'odeur de l'eau de Javel ait disparu. Séchez à l'aide d'un essuie-tout.
4. Une fois que l'élément chauffant a refroidi, nettoyez-le avec un linge doux.

Désinfecter le réservoir :

1. Remplissez le réservoir avec 1 cuiller à café d'eau de Javel et 3,5 litres d'eau.
2. Laissez la solution agir pendant 20 minutes, en la remuant de temps à autre. Humectez toutes les surfaces.
3. Au bout de 20 minutes, videz le réservoir et rincez bien avec de l'eau jusqu'à ce qu'il n'y ait plus d'odeur. Séchez avec une feuille d'essuie-tout propre.
4. Remplissez le réservoir d'eau fraîche ; remettez le réservoir d'eau en place. Effectuez de nouveau les procédures d'utilisation.

Consignes de stockage

Si vous prévoyez de ne pas utiliser votre humidificateur pendant deux jours ou plus, ou à la fin de la saison, veuillez observer ces consignes.

1. Nettoyez, rincez et faites bien sécher l'humidificateur comme indiqué dans la section sur le Détartrage. NE laissez PAS d'eau dans le socle ou le bac.
2. Enlevez le bouchon du réservoir. Le bouchon du réservoir ne doit pas rester sur celui-ci lorsque l'appareil est rangé.
3. Enlevez le filtre et jetez-le.

4. Placez l'humidificateur dans son emballage d'origine et rangez-le dans un lieu sec et frais.
5. Nettoyez l'humidificateur au début de la saison suivante.
6. Commandez un filtre de remplacement avant le début de la saison suivante.

#### CONSIGNES D'ENTRETIEN

1. NE tentez PAS de réparer ou de régler les fonctions électriques ou mécaniques de cet appareil. Ceci rendrait votre garantie nulle et non avenue. Cet appareil ne contient aucune pièce qui puisse être entretenue par l'utilisateur. Toutes les opérations d'entretien doivent être confiées exclusivement à un personnel qualifié.
2. Au cas où vous auriez besoin d'échanger l'appareil, veuillez le renvoyer dans son emballage d'origine, accompagné du bon d'achat, au magasin où vous l'avez acheté.
3. Au cas où votre humidificateur aurait besoin d'être entretenu ou réparé, veuillez vous adresser à votre revendeur local.

#### ACCESSOIRES POUR MODELE BWM5075

- Filtre de purification de l'eau WMF-50
- Nous préconisons d'utiliser un hygromètre/thermomètre Bionaïre™ BT400
- Solution nettoyante pour humidificateur Bionaïre™.
- Huile pour aromathérapie Bionaïre™ BA073

#### CARACTERISTIQUES TECHNIQUES

Tension d'entrée : 220-240 V – 50 Hz

Consommation électrique : 400 Watts (max.)

Le Holmes Group se réserve le droit de changer ou de modifier les spécifications sans préavis.

CE PRODUIT EST FABRIQUE POUR RESPECTER LES DIRECTIVES CEE 73/23/EEC et 89/336/EEC.

#### GARANTIE

LA GARANTIE CONTRACTUELLE EST ACQUISE SUR PRESENTATION DU TICKET DE CAISSE.

- Cet appareil est garanti 2 ans à partir de la date d'achat.
- Dans le cas peu probable d'une panne, veuillez le rapporter au magasin où vous l'avez acheté avec votre ticket de caisse et une copie de cette garantie.
- Vos droits statutaires ne sont aucunement affectés par cette garantie.
- La garantie engage Holmes Products Europe à réparer ou à remplacer gratuitement, toute pièce de l'appareil qui se révèle défectueuse sous réserve que:
  - Nous soyons prévenus rapidement du défaut de fabrication.
  - L'appareil n'ait pas été altéré de quelque manière que ce soit ou ait été utilisé abusivement ou réparé par une personne autre qu'une personne agréée par Holmes Products Europe.
- Cette garantie n'étend aucun droit à toute personne acquérant l'appareil d'occasion ou pour un usage commercial ou communal.
- Si l'appareil est réparé ou remplacé sous la garantie vos droits sont conservés pour la partie restante de cette garantie.

## DEUTSCH

Herzlichen Glückwunsch!

Sie haben sich für einen Bionaïre™ Luftbefeuchter und somit für einen der besten Luftbefeuchter entschieden, die es heutzutage gibt.

DIESE WICHTIGE ANLEITUNG BITTE DURCHLESEN UND GUT AUFBEWAHREN.

**HINWEIS:** Bevor Sie diese Anleitung lesen, studieren Sie die entsprechenden Abbildungen auf der ersten Seite.

Beschreibungen (Siehe Abb. 1/2/3)

- a. Kontrollschalter
- b. Wassertank
- c. Wasserreinigungsfilter
- d. Wasserschale
- e. Feuchtigkeitskammer
- f. Sicherheitsverriegelung
- g. Tankdeckel
- h. Heizelement
- i. Nachtlicht

#### SICHERHEITSHINWEISE

Bei der Verwendung von Elektrogeräten sind immer grundlegende Sicherheitsregeln zu beachten, um Brände, Stromschlaggefahr und Verletzungen zu vermeiden. Zu diesen Regeln gehören die folgenden:

1. Vor Inbetriebnahme des Geräts die Anleitung ganz durchlesen.
2. Um Brand- oder Stromschlaggefahr zu vermeiden, das Gerät direkt an eine elektrische Steckdose anschließen. Den Stecker ganz einführen.
3. Das Kabel aus Bereichen mit starkem Fußverkehr fernhalten. Das Kabel NIEMALS unter einen Teppich oder in die Nähe von Heizkörpern, Öfen oder Heizgeräten legen.
4. Den Luftbefeuchter NIEMALS in die Nähe von Wärmequellen wie Öfen, Heizkörper und Heizgeräte stellen. Stellen Sie Ihren Luftbefeuchter bei einer Innenwand in der Nähe einer Steckdose auf. Der Luftbefeuchter funktioniert am besten, wenn Sie ihn mindestens 100 mm von der Wand entfernt aufstellen.
5. Den Luftbefeuchter NIEMALS für Kinder zugänglich aufstellen. Das Gerät NIEMALS in einem geschlossenen Raum verwenden, sich ausruht oder spielt (in einem geschlossenen

Raum kann es zu übermäßiger Feuchtigkeit kommen).

6. ACHTUNG: Den Luftbefeuchter erst auffüllen, nachdem der Stecker aus der Steckdose gezogen wurde. Immer am Stecker ziehen und nicht am Kabel.
7. NIEMALS irgendwelche Gegenstände in die Öffnungen stecken oder fallen lassen. NIEMALS die Hände, das Gesicht oder den Körper über oder in die Nähe der Feuchtigkeitsöffnung halten, wenn der Luftbefeuchter in Betrieb ist. Die Feuchtigkeitsöffnung NIEMALS abdecken oder etwas darüber legen, wenn das Gerät in Betrieb ist.
8. Ein Gerät NICHT verwenden, wenn Kabel oder Stecker beschädigt sind, das Gerät Betriebsstörungen aufweist, es fallen gelassen oder auf irgendeine andere Weise beschädigt wurde. Geben Sie das Gerät an den Hersteller zurück, damit dieser es prüfen und elektrische bzw. mechanische Einstellungen oder Reparaturen vornehmen kann.
9. Das Gerät immer nur zu dem in der Anleitung beschriebenen Haushaltszweck verwenden. Wird das Gerät zu einem Zweck verwendet, der nicht vom Hersteller empfohlen wird, besteht Brand-, Stromschlag- und Verletzungsgefahr. Die Verwendung von Zubehör, das nicht von The Holmes Group empfohlen oder hergestellt wird, kann Gefahren in sich bergen.
10. Gerät NICHT im Freien verwenden.
11. Den Luftbefeuchter immer auf einer festen, ebenen Fläche aufstellen. Wir raten, eine wasserdichte Matte oder Schutzunterlage unter den Luftbefeuchter zu legen. Das Gerät NIEMALS auf einen Teppich bzw. Auslegeware oder einen Fußbodenbelag stellen, der durch Wasser oder Feuchtigkeit beschädigt werden könnte.
12. Das Gerät auf keinen Fall so aufstellen, dass der Feuchtigkeitsausgang sich direkt gegenüber einer Wand befindet. Feuchtigkeit kann zu Schäden führen, insbesondere an Tapeten.
13. Wenn der Luftbefeuchter nicht benutzt wird, den Stecker aus der Steckdose ziehen.
14. Das Gerät NIEMALS neigen, umstellen oder leeren, während es in Betrieb ist. Den Luftbefeuchter ausschalten und den Stecker aus der Steckdose ziehen, bevor Sie den Wassertank entnehmen oder das Gerät umstellen. Den Wassertank NIEMALS

innerhalb der ersten 15 Minuten nach dem Ausschalten und Herausziehen des Steckers herausnehmen. Dies kann zu schweren Verletzungen führen.

15. Der Luftbefeuchter bedarf der täglichen Reinigung und muss jede Woche gewartet werden, damit er richtig funktioniert. Lesen Sie die Hinweise zur täglichen und wöchentlichen Reinigung.
16. Zum Reinigen des Luftbefeuchters oder von Geräteteilen NIEMALS Reinigungsmittel, Benzin, Glasreiniger, Möbelpolitur, Verdünner oder Haushaltslösungsmittel verwenden.
17. Herrscht in einem Raum übermäßige Feuchtigkeit, kann dies zum Beschlagen der Fenster und Kondensation an Möbeln führen. Sollte dies passieren, ist der Luftbefeuchter auszuschalten (O).
18. Den Luftbefeuchter nicht in Bereichen verwenden, in denen die Luftfeuchtigkeit 55 % übersteigt.
19. Versuchen Sie NICHT, irgendwelche Reparaturen oder elektrische bzw. mechanische Einstellungen an diesem Gerät vorzunehmen. Im Innern des Geräts befinden sich keine Teile, die vom Benutzer selbst gewartet werden können. Alle technischen Wartungsarbeiten sind von ausgebildetem Fachpersonal vorzunehmen.
20. Bei beschädigtem Stromkabel sollten Sie das Gerät an den Hersteller, einen Händler oder ein qualifiziertes Reparaturunternehmen geben und das Kabel reparieren oder austauschen lassen.

#### BITTE BEWAHREN SIE DIESE ANLEITUNG AUF

Bitte nehmen Sie zur Kenntnis, dass es sich bei diesem Gerät um ein Elektrogerät handelt, das der Aufsicht bedarf, wenn es in Betrieb ist.

Wie Ihr Luftbefeuchter funktioniert  
Ihr Bionaire™ Luftbefeuchter ist so konstruiert, dass die richtige Wassermenge aus dem Tank und durch den Wasserreinigungsfilter fließt. Dieser filtert den größten Teil der Mineralien und Ablagerungen aus dem Wasser, bevor es in die Heizkammer gelangt. Das Wasser gelangt in die Heizkammer, in der das elektronisch gesteuerte Heizelement das Wasser erhitzt. Durch die auf der Rückseite befindlichen Öffnungsschlitze strömt Luft ein, die in der Feuchtigkeitskammer mit Dampf gemischt wird. Die warme Feuchtigkeit

gelangt dann durch die Oberseite der Feuchtigkeitskammer durch die Ausgangsschlitze in den Raum.

HINWEIS: Unterschreitet die Luftfeuchtigkeit 20%, kann dies ungesund und unangenehm sein. Es wird eine Luftfeuchtigkeit von 45% bis 55% empfohlen.

#### WAS VOR DER INBETRIEBNAHME ZU TUN IST

1. Achten Sie darauf, dass der Stecker des Luftbefeuchters sich nicht in der Steckdose befindet und der Kontrollschalter auf 0 (AUS) steht.
2. Wählen Sie einen Standort für den Luftbefeuchter, und zwar auf einer ebenen Fläche, ca. 100 mm von der Wand entfernt. Den Luftbefeuchter nicht auf Möbel stellen. Am besten stellen Sie das Gerät auf dem Fußboden an einem Standort auf, der durch die Feuchtigkeit nicht beschädigt werden kann.
3. Entnehmen Sie den Wassertank (siehe Abbildung 1). Den Wasserreinigungsfilter herausnehmen. Achten Sie darauf, dass die Plastiktüte, in der der Filter sitzt, entfernt wird. Wenn Sie den Wasserreinigungsfilter das erste Mal im Luftbefeuchter verwenden oder das Gerät eine Weile nicht benutzt haben (z.B. seit 48 Stunden), halten Sie bitte den Filter unter fließendes kaltes Wasser für ein Minute, damit sich dieser vollsaugen kann. Den Filter wieder in das Gerät einsetzen und 5 Minuten warten, bis das Wasser durchläuft.
4. Vergewissern Sie sich, dass die Wasserschale keine Fremdkörper enthält, indem Sie die Feuchtigkeitskammer entnehmen. Um diese entnehmen zu können, müssen Sie die Sicherheitsverriegelung drehen, die beide Teile festhält. (Setzen Sie die Feuchtigkeitskammer über dem Heizelement wieder ein und stellen Sie sicher, dass sich der Sicherheitsverriegelungsknauf in der Verschlussposition (Lock) befindet.)

#### Füllen des Wassertanks

HINWEIS: Dieser Luftbefeuchter fasst im Tank und im Luftbefeuchteruntersatz ca. 4,5 Liter Wasser. Das Gerät erzeugt über einen Zeitraum von 24 Stunden bis zu 11,5 Liter Feuchtigkeit.

1. Achten Sie darauf, dass der Stecker des Luftbefeuchters aus der Steckdose gezogen

wurde und der Kontrollschalter auf 0 (AUS) steht.

2. Den Tankdeckel, der sich unten am Reservoir befindet, entfernen, indem Sie ihn gegen den Uhrzeigersinn drehen. Den Wassertank mit kaltem, frischem Wasser füllen. Kein warmes Wasser einfüllen; dies kann undichte Stellen verursachen.
3. Wenn Sie den Tank gefüllt haben, den Tankdeckel wieder einsetzen und im Uhrzeigersinn festdrehen und den Wassertank wieder in den Untersatz setzen. Der Inhalt des Tanks beginnt dann sofort, in den Untersatz zu fließen.
4. Den Stecker in eine geeignete, günstig gelegene Steckdose stecken.

#### BEDIENUNGSANLEITUNG (siehe Abb. 2) WICHTIG:

Wenn Sie den Wasserreinigungsfilter das erste Mal im Luftbefeuchter verwenden oder das Gerät eine Weile nicht benutzt haben (z.B. seit 48 Stunden), halten Sie bitte den Filter unter fließendes kaltes Wasser für ein Minute, damit sich dieser vollsaugen kann. Den Filter wieder in das Gerät einsetzen und 5 Minuten warten, bis das Wasser durchläuft.

Dann den Wassertank vorsichtig herausheben und prüfen, ob die Wasserschale (D) zu 2/3 mit Wasser gefüllt ist. Sollte dies nicht der Fall sein, den Wassertank wieder einsetzen und weitere 5 Minuten warten, bis das Wasser den gewünschten Stand erreicht hat.

Den Luftbefeuchter ERST einschalten, wenn die Wasserschale zu 2/3 mit Wasser gefüllt ist.

1. Den Kontrollschalter auf I stellen. Es ist ganz normal, dass es ca. 2 – 3 Minuten dauert, bis der Luftbefeuchter warm wird und Feuchtigkeit abgibt.
2. Die Medizinschale befindet sich auf der Oberseite der Feuchtigkeitskammer. Wenn Sie diese Schale verwenden möchten, gießen Sie eine hierfür bestimmte Luftbefeuchtermedizin in die Ritze. NIEMALS Medizin in den Wassertank geben. Die Medizin NICHT in die Medizinschale geben, wenn das Gerät bereits läuft.

#### Nachtlicht

1. Um das Nachtlicht zu aktivieren, Knopf auf die „EIN“-Stellung drehen.
2. Um die Lebensdauer der Glühbirne zu verlängern, Nachtlicht während des Tages ausschalten.



**RÜCKSCHALTUNG**

**HINWEIS:** Wenn der Wassertank leer ist und sich fast kein Wasser mehr in der Heizkammer befindet, schaltet sich die automatische Sicherheitsabschaltung ein. Das Gerät funktioniert erst wieder, wenn Sie den Wassertank wieder aufgefüllt und den Luftbefeuchter zurückgeschaltet haben.

- Schalten Sie den Kontrollschalter auf RESET (RÜCKSCHALTEN).
- Den Stecker aus der Steckdose ziehen.
- Den Wassertank herausnehmen und mit Wasser füllen. Dabei die Anleitung zur täglichen Wartung beachten. Den Wassertank wieder auf den Untersatz setzen.
- Warten Sie 5 Minuten, bis sich die automatische Sicherheitsabschaltung zurückgeschaltet hat.
- Nach diesen 5 Minuten den Stecker in die Steckdose stecken und den Kontrollschalter auf I stellen. In ca. 2 - 3 Minuten fängt der Luftbefeuchter an, Feuchtigkeit zu erzeugen.

**WICHTIG:**

Wenn Sie den Luftbefeuchter über zwei Tage oder länger nicht benutzen möchten, sollten Sie unbedingt das restliche Wasser aus dem Wassertank und dem Untersatz laufen lassen, damit sich keine Algen oder Bakterien bilden.

**AUSWECHSELN DES WASSERREINIGUNGSFILTERS**

Der Wasserreinigungsfilter dient dazu, Mineralien im Wasser zurückzuhalten und eine saubere Feuchtigkeitsabgabe zu gewährleisten. Die Haltbarkeit des Filters hängt davon ab, wie häufig das Gerät durchschnittlich am Tag benutzt wird und wie hart das Wasser in Ihrer Region ist. In Regionen mit hartem Wasser muss der Filter öfter gewechselt werden. Es wird dringend geraten, den Filter mindestens alle 2 - 3 Monate (je nach Häufigkeit der Verwendung) bzw. sobald sich Mineralien am Heizelement absetzen zu wechseln.

**Auswechseln des Filters:**

- Schalten Sie den Luftreiniger aus 0 (AUS) und ziehen Sie den Stecker aus der Steckdose. Nehmen Sie den Wassertank heraus und lassen Sie sämtliches Wasser aus dem Untersatz laufen. Heben Sie den gebrauchten Filter heraus und werfen Sie ihn weg.
- Entfernen Sie die Schutztüte vom neuen Filter

und setzen Sie den Filter in den Untersatz (siehe Abbildung 2). Setzen Sie den Wassertank wieder ein und stecken Sie den Stecker in die Steckdose. Wenn Sie den Filter das erste Mal einsetzen, müssen Sie 15 Minuten warten, bis das Wasser durch den Filter läuft, bevor Sie das Gerät einschalten (I).

**ANLEITUNG ZUR REINIGUNG UND WARTUNG**

Die nachfolgenden Wartungsschritte unbedingt regelmäßig durchführen, damit Ihr Luftbefeuchter richtig und effizient läuft. Das Gerät wird AUSFALLEN, wenn es nicht richtig gereinigt wird.

Wird das Gerät verwendet, ist eine tägliche und wöchentliche Wartung zu empfehlen. Durch regelmäßiges Reinigen wird außerdem verhindert, dass sich am Heizelement und in der Schale Kalk absetzt. Zudem wird die Bildung von Mikroorganismen in der Schale oder im Wassertank vorgebeugt. Auf diese Weise läuft das Gerät am effizientesten.

Wir können nicht oft genug darauf hinweisen, wie wichtig das richtige Reinigen für die Wartung, die fortlaufende Nutzung des Geräts sowie die Vorbeugung gegen Algen und Bakterienbildung ist.

**Regelmäßige Wartung**

Die Häufigkeit der Wartung hängt vom durchschnittlichen Tagesgebrauch Ihres Luftbefeuchters sowie von der Wasserhärte in Ihrer Umgebung ab. Wir empfehlen, diesen Vorgang wöchentlich oder falls nötig öfter durchzuführen.

- Vor dem Reinigen den Kontrollschalter auf 0 (AUS) schalten und den Stecker des Geräts aus der Steckdose ziehen.
- Den Wassertank herausnehmen; dann die Feuchtigkeitskammer entriegeln, indem Sie die Sicherheitsverriegelung drehen. Die Feuchtigkeitskammer aus dem Geräteuntersatz herausheben. Nun die Schale aus dem Untersatz nehmen.
- Das Wasser und die Minerale aus der Schale gießen. Die Schale auf die oberste Ebene im Geschirrspüler legen. Auf diese Weise werden Ablagerungen und Schmutz, die sich in der Schale gebildet haben, vollständig entfernt. **HINWEIS:** Die Schale ist unbedingt gründlich zu reinigen. Die Schale ist spülmaschinenfest und damit einfach zu säubern.

- Spülen Sie den Wassertank aus und füllen Sie ihn mit sauberem, kaltem Wasser.
- Wenn das Heizelement abgekühlt ist, dieses mit einem weichen Tuch sauber wischen.

**WARNUNG:** Falls Sie den Feuchtigkeitskühltrichter nicht vom Luftbefeuchter abnehmen, kann es bis zu eine Stunde dauern, bis das Heizelement ausreichend abgekühlt ist. Der Luftbefeuchter erhitzt das Wasser und erzeugt somit saubere Feuchtigkeit. Verunreinigungen aus dem Wasser können sich in der Heizkammer absetzen. Das elektronisch gesteuerte Heizelement ist mit Teflon beschichtet, so dass es leicht zu reinigen ist und der Luftbefeuchter über einen längeren Zeitraum effizient läuft.

Zum Reinigen des Heizelements KEINE metallischen oder harten Gegenstände verwenden. Wird das Heizelement unsachgemäß gereinigt, kann es zerkratzt werden. Zum Reinigen des Luftbefeuchters oder von Geräteteilen niemals Reinigungsmittel, Benzin, Kerosin, Glasreiniger, Möbelpolitur, Verdünner oder Haushaltslösungsmittel verwenden.

**Wöchentliche Wartung**

Wir empfehlen Bonaire™ Clean Away - Luftbefeuchter Reinigungslösung zur Entkalkung des Heizelements und Tankes.

Tragen Sie den Reiniger mit einer Bürste auf die verkalkten Stellen auf. Lassen Sie die Lösung einwirken, bis sich die Ablagerungen einfach lösen lassen.

Zur Reinigung des Tankes, mischen Sie 2 Kappen des Reinigers mit 2 Liter Wasser. Lassen Sie die Lösung einige Zeit stehen und rühren Sie gelegentlich. Kippen Sie die Lösung aus und SPÜLEN Sie den Tank MEHRFACH AUS.

Falls nicht vorhanden, folgen Sie dieser Anleitung:

- Wiederholen Sie die Schritte 1 – 3 im Abschnitt Tägliche Wartung.
- Reinigen Sie die Schale, indem Sie diese teilweise mit 200 ml unverdünntem weißen Essig füllen. Lassen Sie diese Lösung 20 Minuten lang einwirken. Alle inneren Flächen mit einer weichen Bürste säubern. Befeuchten Sie ein Tuch mit unverdünntem weißen Essig und wischen Sie damit die ganze Schale aus, um alle Kalkrückstände zu entfernen.
- Mit sauberem, warmem Wasser ausspülen, um die Kalkrückstände und die Essiglösung zu

beseitigen, bevor Sie den Wassertank desinfizieren.

- Wenn das Heizelement abgekühlt ist, dieses mit einem weichen Tuch sauber wischen.

Den Wassertank desinfizieren:

- Den Wassertank mit 1 Teelöffel Bleichmittel und ca. 3,5 Liter Wasser füllen.
- Die Lösung 20 Minuten lang einwirken lassen. Dabei den Wassertank hin und wieder schwenken. Alle Flächen naß machen.
- Den Wassertank nach 20 Minuten leeren und gründlich mit Wasser ausspülen, bis der Geruch des Bleichmittels verschwunden ist. Mit einem sauberen Papiertuch abtrocknen.
- Den Wassertank mit kaltem Wasser füllen und den Wassertank wieder einsetzen. Die Schritte der Bedienungsanleitung wiederholen.

**Aufbewahrung**

Wenn Sie den Luftbefeuchter zwei Tage oder länger nicht benutzen möchten oder das Ende der Saison erreicht ist, folgen Sie bitte dieser Anleitung:

- Den Luftbefeuchter wie im Abschnitt Wöchentliche Wartung reinigen, ausspülen und gründlich abtrocknen. Im Untersatz und in der Schale KEIN Wasser zurücklassen.
- Den Tankdeckel abnehmen. Das Gerät niemals mit eingesetztem Tankdeckel lagern.
- Den Filter herausnehmen und wegwerfen.
- Den Luftbefeuchter in den Originalkarton legen und an einem kühlen, sauberen Ort aufbewahren.
- Den Luftbefeuchter vor Beginn der nächsten Saison reinigen.
- Für den Beginn der nächsten Saison einen Ersatzfilter bestellen.

**TECHNISCHE WARTUNG/REPARATUR**

- Versuchen Sie NICHT, das Gerät zu reparieren bzw. die elektrischen oder mechanischen Funktionen zu verstellen. Hierdurch wird die Garantie ungültig. Im Innern des Geräts befinden sich keine Teile, die vom Benutzer selbst gewartet werden können. Technische Wartungsarbeiten dürfen nur von ausgebildetem Fachpersonal durchgeführt werden.
- Muss das Gerät umgetauscht werden, legen Sie es bitte in den Originalkarton und bringen es mit der Quittung zu dem Fachhändler zurück, bei dem Sie es gekauft haben.
- Sollte Ihr Luftbefeuchter einer technischen

Wartung bedürfen, wenden Sie sich bitte an Ihren Fachhändler.

#### ZUBEHÖR FÜR DAS MODELL BWM5075

- Wasserreinigungsfilter WMF-50
- Wir empfehlen, das Bionaire™ Hygrometer/Thermometer BT400
- Reinigungslösung für Bionaire™ Luftbefeuchter

#### TECHNISCHE DATEN:

Eingangsspannung: 230 - 240 V - 50 Hz

Leistungsverbrauch: 400W (maximal)

Die Holmes Group behält sich das Recht vor, die Spezifikation ohne vorherige Ankündigung zu ändern.

Dieses Gerät erfüllt die Anforderungen der EG-Direktive S 73/23/EEC UND 89/336/EEC.

#### GARANTIE

BITTE BEWAHREN SIE IHRE QUITTUNG AUF. DIESE WIRD BEI ANSPRÜCHEN AUS DIESER GARANTIE BENÖTIGT.

- Dieses Produkt hat eine 2-jährige Garantie.
- Bitte händigen Sie das Produkt bei Defekten zusammen mit der Kassenquittung und einer Kopie dieser Garantie Ihrem Händler aus.
- Die Rechte und Vorzüge aus dieser Garantie entstehen zusätzlich zu Ihren gesetzlichen Rechten, die von dieser Garantie nicht beeinträchtigt werden.
- Holmes Products Europe verpflichtet sich, innerhalb des genannten Zeitraumes jegliche defekten Teile des Gerätes kostenlos zu reparieren oder auszutauschen, vorausgesetzt, dass:
  - Wir umgehend über den Defekt informiert werden.
  - Das Geräte auf keine Weise modifiziert, unsachgemäß betrieben oder von Personen, die nicht von Holmes Products Europe autorisiert wurden, repariert wurde.
- Die Rechte aus dieser Garantie gelten nicht für Personen, die das Gerät aus zweiter Hand oder für kommerzielle oder kommunale Zwecke erstehen.
- Das reparierte oder ausgetauschte Gerät unterliegt der Garantie unter diesen Bedingungen während der restlichen Garantiedauer.

## NEDERLANDS

Gefeliciteerd

U hebt gekozen voor een Bionaire™ nevelapparaat, een van de beste nevelapparaten van vandaag.

LEES EN BEWAAR DEZE BELANGRIJKE AANWIJZINGEN.

NB: Alvorens de gebruiksaanwijzing te lezen, adviseren wij eerst aandachtig de bijbehorende illustraties te bekijken.

Omschrijvingen (Zie fig. 1/2/3)

- Aan-uitknop
- Watertank
- Waterzuiveringsfilter
- Waterbak
- Mistcompartiment
- Veiligheidslot
- Tankdop
- Verwarmingselement
- Nachtlampje

#### VEILIGHEIDSVOORSCHRIFTEN

Bij het gebruik van elektrische apparaten dienen ter voorkoming van brand, elektrische schokken en letsel altijd bepaalde standaard veiligheidsvoorschriften in acht te worden genomen. Dit zijn onder meer de volgende:

1. Lees voor het gebruik van het apparaat alle aanwijzingen zorgvuldig door.
2. Sluit ter voorkoming van brand of schokken het toestel rechtstreeks aan op een stopcontact en zorg dat de stekker helemaal ingestoken is.
3. Gebruik het snoer niet waar veel mensen zijn. Leg het snoer ter voorkoming van brand NOOIT onder kleden of bij radiatoren, fornuizen of verwarmingselementen.
4. Plaats het nevelapparaat NOOIT in de nabijheid van hittebronnen als fornuizen, radiatoren of verwarmingselementen. Plaats uw nevelapparaat bij een binnenmuur en in de nabijheid van een stopcontact. Het nevelapparaat dient voor het beste resultaat tenminste 100 mm van de muur te staan.
5. Plaats het nevelapparaat NOOIT ergens waar kinderen toegang hebben. Gebruik het nevelapparaat NOOIT in een afgesloten kamer, rusten of spelen (in een afgesloten kamer kan de vochtigheid te hoog oplopen)

6. **WAARSCHUWING:** Probeer het nevelapparaat nooit te vullen zonder de stekker eerst uit het stopcontact te nemen, omdat dit tot letsel kan leiden. Trek nooit aan het snoer, maar altijd aan de stekker.
7. Laat NOOIT voorwerpen in een opening vallen en steek hier ook NOOIT wat in. Plaats NOOIT handen, gezicht of lichaam over of in de buurt van de Mistopening wanneer de unit aanstaat. Dek de Mistopening NOOIT af en leg hier ook nooit wat overheen als het apparaat in werking is.
8. Gebruik NOOIT een apparaat wanneer het snoer of de stekker is beschadigd, wanneer het apparaat een defect heeft vertoond, of wanneer deze is gevallen of op een andere wijze is beschadigd. Retourneer het toestel voor onderzoek of elektrische of mechanische reparaties aan de fabrikant.
9. Gebruik het apparaat alleen voor het huishoudelijk gebruik waarvoor deze is bedoeld en dat in deze handleiding staat omschreven. Alle andere gebruik dat niet door de fabrikant wordt aangeraden kan leiden tot brand, elektrische schok of persoonlijk letsel. Het gebruik van opzetstukken die niet door The Holmes Group worden aangeraden of verkocht, kan gevaarlijk zijn.
10. Gebruik de unit NIET in de buitenlucht.
11. Plaats het nevelapparaat altijd op een stevige en vlakke ondergrond. Het gebruik van een waterafstotende mat onder het nevelapparaat wordt aanbevolen. Zet het apparaat NOOIT op een kleed of tapijt of op een afgewerkte vloer die beschadigd kan worden door blootstelling aan water of vocht.
12. Richt de Mistopening NIET rechtstreeks op een muur. Het vocht kan tot schade leiden, met name aan behang.
13. Neem de stekker uit het stopcontact wanneer het nevelapparaat niet in gebruik is.
14. Kantel of verplaats de unit NOOIT en probeer hem ook niet te legen wanneer deze in gebruik is. Zet het apparaat uit en neem de stekker uit het stopcontact alvorens de watertank te verwijderen en de unit te verplaatsen. Wacht tenminste 15 minuten nadat het nevelapparaat is uitgezet en de stekker is uitgenomen voordat u de watertank verwijdert. Ernstig persoonlijk letsel kan anders het gevolg zijn.
15. Om een goede werking te garanderen, dient dit nevelapparaat dagelijks en wekelijks onderhouden te worden. Lees hiervoor de procedures voor het dagelijkse en wekelijkse onderhoud.
16. Gebruik NOOIT schoonmaakmiddelen, benzine, glasreiniger, meubelreiniger, verfverdunder of andere huishoudelijke oplosmiddelen om het nevelapparaat te reinigen.
17. Een te hoge vochtigheid in een kamer kan condensvorming op ramen en meubilair tot gevolg hebben. Zet het nevelapparaat UIT als dit het geval is.
18. Gebruik het nevelapparaat niet op plekken waar de vochtigheid meer dan 55% bedraagt.
19. Probeer elektrische of mechanische functies op deze unit NOOIT zelf te repareren of af te stellen. De binnenkant van de unit bevat geen onderdelen die door gebruikers onderhouden kunnen worden. Eventuele reparaties dienen door gekwalificeerd personeel uitgevoerd te worden.
20. Mocht het elektrische snoer beschadigd raken, laat het dan repareren of vervangen door uw dealer of door een gekwalificeerde servicemonteur.

#### BEWAAR DEZE AANWIJZINGEN

Let op: dit is een elektrisch apparaat dat met zorg gebruikt dient te worden.

Zo werkt uw Nevelapparaat met warme mist

In uw Bionair® Nevelapparaat met warme mist vloeit de juiste hoeveelheid water vanuit de tank door de waterzuiveringsfilter. De filter haalt het merendeel van alle mineralen en sediment uit het water voordat het water in het verwarmingscompartiment vloeit. Hier verwarmt het verwarmingselement met elektronische en thermische besturing het water. Lucht wordt door de grillopeningen aan de achterkant de unit ingezogen en met de stoom in het mistcompartiment vermengd. De warme damp wordt vervolgens via de bovenkant van het mistcompartiment en de uitvoergril in de kamer verspreid.

N.B.: Een vochtigheidsgraad van minder dan 30% kan ongezond en onaangenaam zijn. De aanbevolen vochtigheid ligt tussen 45%-55%.

#### AANWIJZINGEN VOOR GEBRUIK VAN HET APPARAAT

1. Zorg dat het nevelapparaat niet is aangesloten en dat de aan-uitknop op 0 staat.
2. Kies een plek voor uw nevelapparaat, op een

vlakke ondergrond, zo'n 100 mm van de muur. Zet het nevelapparaat niet op meubilair. Het meest geschikt is een plekje op een vochtbestendige vloer.

3. Verwijder de watertank (zie Figuur 1) door deze aan de tankhandel recht omhoog te tillen. Verwijder de waterzuiveringsfilter, en verwijder de plastic verpakking om de filter. Wanneer u het waterzuiveringsfilter in de luchtbevochtiger voor het eerst gebruikt, of na een periode waarin het niet gebruikt is (48 uur b.v.), moet u het filter onder koud stromend water voorweken. Plaats het filter weer in de unit en laat dit 5 minuten staan zodat er water doorheen kan gaan.
4. Zorg dat er zich geen vreemde voorwerpen in de waterbak bevinden door het Mistcompartiment te verwijderen. Om deze te verwijderen, dient u het Veiligheidsslot dat beide delen op zijn plek houdt, los te maken. (Plaats het Mistcompartiment weer over het verwarmingselement en zorg dat de Veiligheidsslot knop in de "Lock" stand staat).

Het vullen van de Watertank

N.B.: De inhoud van de tank en de voet van het nevelapparaat is zo'n 4.5 liter. Het nevelapparaat produceert maximaal 11.5 liter vocht over een periode van 24 uur.

1. Zorg dat het nevelapparaat niet is aangesloten op een stopcontact en dat de aan-uitknop in de 0 stand staat.
2. Verwijder de tankdop onderop het reservoir door deze naar rechts te draaien en vul de watertank met koud, vers water. Vul de tank niet met warm water omdat dit lekkages tot gevolg kan hebben.
3. Draai de dop van de tank na het vullen weer goed naar rechts en zet de watertank weer op de voet. De tank loopt direct leeg in de voet.
4. Sluit het snoer op een handig en geschikt stopcontact aan.

GEBRUIKSAANWIJZINGEN (Zie Fig 2)

**BELANGRIJK:**

Wanneer u het waterzuiveringsfilter in de luchtbevochtiger voor het eerst gebruikt, of na een periode waarin het niet gebruikt is (48 uur b.v.), moet u het filter onder koud stromend water voorweken. Plaats het filter weer in de unit en laat dit 5 minuten staan zodat er water doorheen kan gaan.

Til daarna voorzichtig de watertank op en controleer of de waterbak (D) voor 2/3 vol met water is. Als dit niet zo is, zet u de watertank er weer op en wacht u nogmaals 5 minuten totdat het water het gewenste niveau bereikt heeft.

Zet de luchtbevochtiger NIET AAN totdat de waterbak voor 2/3 vol met water is.

1. Zet de aan-uitknop op de I stand. Het nevelapparaat moet altijd eerst 2-3 minuten opwarmen voordat deze begint te nevelen.
2. Bovenop het mistcompartiment zit een medicijnenbakje. Giet de juiste medicatie in de sleuf voordat u de unit aanzet. Voeg GEEN medicatie aan de watertank toe. Voeg GEEN medicatie aan het medicijnenbakje toe wanneer de unit al aanstaat.

Nachtlampje

1. Zet de knop in de 'aan' stand om het nachtlampje in werking te stellen
2. Zet het nachtlampje overdag uit om de branduur van het lampje te optimaliseren

RESETPROCEDURE

PAS OP: Wanneer de watertank leeg is en het water in het verwarmingscompartiment bijna op is, treedt de automatische afslag in werking. De unit werkt pas weer als u de watertank opnieuw vult en het nevelapparaat opnieuw instelt.

1. Zet de aan-uitknop op RESET.
2. Haal de stekker uit het stopcontact.
3. Verwijder de watertank en vul deze. Volg hierbij de Aanwijzingen voor Dagelijks Onderhoud op. Zet de tank weer op de voet.
4. Wacht 5 minuten zodat de Automatische Shut-Off zich weer opnieuw kan instellen.
5. Sluit de unit na 5 minuten weer aan en zet de Aan-uitknop op I. Na zo'n 2-3 minuten begint het nevelapparaat weer damp te produceren.

**BELANGRIJK:**

Als u van plan bent het apparaat langer dan twee dagen niet te gebruiken, gooi dan het achtergebleven water uit de watertank en de voet om algen- en bacteriegroei te voorkomen.

Het vervangen van de waterzuiveringsfilter

De waterzuiveringsfilter wordt gebruikt voor het onttrekken van mineralen aan het water zodat de damp schoon is. De levensduur van de filter hangt af van hoe vaak u uw nevelapparaat gemiddeld gebruikt en de hardheid van het water in uw regio. In regio's met hard water dient de

filter vaker vervangen te worden. U wordt aangeraden de filter tenminste om de 2-3 maanden te vervangen (afhankelijk van het gebruik) of wanneer zich mineralen op het verwarmingselement gaan afzetten.

Het vervangen van de filter:

1. Zet het nevelapparaat op 0 en trek de stekker uit. Verwijder de tank, laat al het water uit de voet lopen, til de gebruikte filter eruit en gooi deze weg.
2. Haal de nieuwe filter uit de plastic verpakking en monteer de filter in de voet (zie Figuur 2). Breng de tank weer aan en steek de stekker in het stopcontact. Wacht voordat u de unit op I zet voor het eerste gebruik van de filter 15 minuten tot het water door de filter is gelopen.

AANWIJZINGEN VOOR REINIGING EN ONDERHOUD

Voer op gezette tijden onderstaande onderhoudsprocedures uit voor een goede en efficiënte werking van uw nevelapparaat. De unit RAAKT DEFECT als deze niet zorgvuldig wordt gereinigd.

Bij gebruik van de unit wordt voor een optimale werking dagelijks en wekelijks onderhoud aanbevolen. Regelmatig reinigen voorkomt bovendien dat er zich kalk op het verwarmingselement aanzet, terwijl ook de groei van micro-organismen in de bak en tank zo wordt voorkomen.

Wij benadrukken nogmaals het belang van een goede reiniging voor het onderhoud en gebruik van uw unit en het voorkomen van algen- of bacteriegroei.

Periodiek Onderhoud

Hoe vaak er onderhoud wordt gedaan zal afhangen van hoe vaak u uw nevelapparaat gemiddeld gebruikt en van de hardheid van het water in uw regio. Het wordt aangeraden om deze procedure wekelijks of indien nodig vaker, uit te voeren.

1. Zet voor het reinigen de unit op 0 en neem de stekker uit het stopcontact.
2. Verwijder de watertank en maak vervolgens het mistcompartiment los door het veiligheidsslot te draaien. Til het mistcompartiment uit de voet van de unit. Til nu de bak uit de voet.
3. Gooi het water en de mineralen uit de bak weg en leg de bak bovenin de vaatwasser. Alle in de bak is achtergebleven sediment en vuil wordt nu verwijderd.

**BELANGRIJK:** Het is heel belangrijk dat de bak goed wordt gereinigd. De bak kan in de vaatwasser en is zo eenvoudig schoon te houden.

4. Spoel de tank om en vul deze weer met schoon en koel water.
5. Veeg het verwarmingselement met een zachte doek schoon nadat deze heeft kunnen afkoelen.

**WAARSCHUWING:** Als het Vochtkoelingsruimte aan het nevelapparaat wordt gelaten, kan het tot een uur duren voordat het verwarmingselement voldoende is afgekoeld om te kunnen worden aangeraakt

Dit nevelapparaat verwarmt het water en produceert daarmee een schone damp. Sommige onzuiverheden uit het water worden in het verwarmingscompartiment verzameld. Het verwarmingselement met elektronische en thermische besturing is bekleed met een Teflonlaag voor eenvoudige reiniging en een langere optimale werking van het nevelapparaat.

Gebruik voor het reinigen van het verwarmingselement GEEN metalen of harde voorwerpen. De coating kan krassen als deze niet goed wordt gereinigd.

Gebruik nooit schoonmaakmiddelen, gasoline, kerosine, glasreiniger, meubelreiniger, verfverdunder of andere huishoudelijke oplosmiddelen om enig onderdeel van het nevelapparaat te reinigen.

WEKELIJKS ONDERHOUD

Wij adviseren Bionaire™ Clean Away - luchtbevochtiger schoonmaakmiddel

Breng de vloeistof met een plastic borsteltje aan op de te behandelen plaatsen. Laat het enige tijd inweken zodat de werking kan intreden en de aanslag zachter wordt.

Bij het schoonmaken van de tank, meng 2 dopjes van de vloeistof met 2 liter water. Laat deze mix enige tijd in de tank staan, waarbij u elke paar minuten de vloeistof even door de tank schudt. Voer de vloeistof af door de gootsteen en spoel de tank grondig na.

1. Doorloop nogmaals stappen 1-3 uit het Dagelijks Onderhoud sectie.
2. Reinig de bak door deze gedeeltelijk met 200ml pure witte azijn te vullen. Laat deze

vloeistof 20 minuten staan en reinig met een zachte borstel alle binnenoppervlakken. Maak een doek met pure witte azijn vochtig en veeg de hele bak uit om de kalk te verwijderen.

3. Spoel alvorens de tank te desinfecteren deze met schoon, warm water om om de kalk en witte azijn te verwijderen.
4. Veeg het verwarmingselement met een zachte doek schoon nadat deze is afgekoeld.

Het desinfecteren van de tank:

1. Vul de tank met 1 theelepel chloor en 3,5 liter water.
2. Laat de oplossing onder af en toe roeren 20 minuten staan. Zorg dat alle oppervlakten nat worden.
3. Gooi de tank na 20 minuten leeg en spoel goed met water totdat de geur van chloor is verdwenen. Droog met een schoon keukenpapertje.
4. Vul de watertank met koud water en installeer hem. Volg de Gebruiksaanwijzingen op.

Aanwijzingen voor de opslag

Volg de volgende aanwijzingen op wanneer uw nevelapparaat langer dan twee dagen niet wordt gebruikt, of aan het eind van het seizoen.

1. Maak het nevelapparaat schoon, spoel hem af en droog zorgvuldig zoals omschreven in het onderdeel wekelijks onderhoud. Laat GEEN water in de voet of bak staan.
2. Verwijder voor de unit wordt opgeslagen altijd de dop van het reservoir.
3. Verwijder de filter en gooi deze weg.
4. Verpak het nevelapparaat in de originele doos en sla deze op een koele en droge plek op.
5. Maak het nevelapparaat voor aanvang van het volgende seizoen schoon.
6. Bestel een nieuwe filter voor het nieuwe seizoen.

AANWIJZIGEN VOOR REPARATIES

1. Probeer NOOIT zelf elektrische of mechanische functies op deze unit te repareren of af te stellen. Hierdoor vervalt de garantie. De binnenkant van de unit bevat geen onderdelen die door de gebruiker onderhouden kunnen worden. Uitsluitend gekwalificeerd personeel mag eventuele reparaties uit te voeren.
2. Indien u de unit wilt ruilen, retourneer deze dan in de originele verpakking en met aankoopbon aan de winkel waar u hem heeft gekocht.
3. Neem voor reparaties of onderhoud aan uw

nevelapparaat contact op met een dealer bij u in de buurt.

ACCESSOIRE VOOR MODEL BWM5075

- WMF-50 Waterzuiveringsfilter
- Wij raden u aan een Bonaire® BT400 hygrometer/ thermometer.
- Bonaire® Nevelapparaat schoonmaakmiddel

TECHNISCHE SPECIFICATIES

Voltage : 230-240V-50Hz  
Vermogen: 400 Watt (max.)

De Holmes Group behoudt zich het recht voor om deze specificaties onaangekondigd te wijzigen of aan te passen.

DIT PRODUCT VOLDOET VAN EG RICHTLIJN 73/23/EEC, 89/336/EEC.

GARANTIE

BEWAAR A.U.B. UW KASSABON WANT U HEBT HET NODIG BIJ HET INDIENEN VAN EEN CLAIM ONDER DEZE GARANTIE.

- Dit product staat 2 jaar onder garantie.
- Mocht er sprake zijn van een defect, hoewel dit onwaarschijnlijk is, brengt u hem dan terug naar de winkel waar u hem hebt gekocht, met uw kassabon en een exemplaar van deze garantie.
- Uw rechten en voordelen binnen het kader van deze garantie staan los van uw statutaire rechten waarop deze garantie geen invloed heeft.
- Holmes Products Europe verplicht zich binnen de vastgestelde periode geheel gratis elk onderdeel van het apparaat dat mankementen blijkt te vertonen te herstellen of te vervangen mits wij:
  - Onmiddellijk op de hoogte worden gesteld van het mankement.
  - Het apparaat op geen enkele wijze veranderd of verkeerd behandeld of gerepareerd is door een ander dan de persoon die daartoe bevoegd is door Holmes Products Europe.
- Onder deze garantie worden geen rechten verleend aan iemand die het apparaat tweedehands of voor commercieel of gemeenschappelijk gebruik heeft aangeschaft.
- Gerepareerde of vervangen apparaten blijven de resterende tijd van de garantie onder deze voorwaarden gegarandeerd.

## SUOMI

Onnittelut

Valitessasi Bonaire™-ilmankostuttimen olet valinnut yhden markkinoiden hienoimmista ilmankostuttimista.

LUE NÄMÄ TÄRKEÄT OHJEET LÄPI JA SÄILYÄ NE.

HUOM: Ennen ohjeiden lukemista, huomioi myös vastaavat kuvat.

Kuvaukset (katso kuva 1/2/3)

- a. Toimintanappi
- b. Vesisäiliö
- c. Vedenpuhdistussuodatin
- d. Vesilaatikko
- e. Höyrykammio
- f. Turvalukitus
- g. Säiliön kansi
- h. Kuumennusvastus
- i. Yövalo

TURVATOIMENPITEET

Sähkölaitteita käytettäessä tulisi aina noudattaa määrättyjä perusturvatoimia, jotta tulipalon, sähköiskun ja henkilöaurion vaara olisi mahdollisimman pieni. Näitä ovat seuraavat toimenpiteet:

1. Lue kaikki ohjeet läpi ennen laitteen käyttöä.
2. Jotta välttyäisiin tulipalon tai sähköiskun vaaralta, kytke laite suoraan virtalähteeseen ja työnnä pistoke tukevasti pistorasiaan. ÄLÄ käytä laitetta jatkojohdon kanssa.
3. Pidä virtajohto kaukana tiloista, joilla liikutaan paljon. Tulipalovaaran välttämiseksi ei virtajohtoa tulisi KOSKAAN asettaa mattojen alle tai lämpöpatterien, kamiinoiden lämmittimien tai läheisyyteen.
4. ÄLÄ aseta ilmankostutinta lähelle lämmönlähdetä, kuten lähelle kamiinaa, lämpöpatteria tai lämmitintä. Älä aseta ilmankostutinta sisäseinälle, joka on lähellä sähköpistorasiaa. Ilmankostuttimen tulisi sijaita vähintään 100 mm etäisyydellä seinästä, jotta toimintatulos olisi paras mahdollinen.
5. ÄLÄ KOSKAAN aseta ilmankostutinta tilaan, jossa lapset voivat päästä koskettamaan. ÄLÄ KOSKAAN käytä ilmankostutinta suljetussa tilassa, lepää tai leikkii tässä tilassa (suljetussa tilassa voi syntyä liiallista kosteutta).
6. VAROITUS: Älä yritä täyttää ilmankostutinta,

kun sen pistoketta ei ole irrotettu seinäpistorasiasta. Varmista, että vedät pistokkeesta etkä virtajohdosta.

7. ÄLÄ KOSKAAN pudota tai työnnä mitään esineitä laitteen aukkoihin. ÄLÄKÄ pane käsiä, kasvoja tai kehoa suoraan kosteutta tuottavan aukon päälle, kun laite on toiminnassa. ÄLÄ peitä kosteutta tuottavaa aukkoa laitteen toimiessa.
8. ÄLÄ käytä laitetta, jos sen virtajohto tai pistoke on vaurioitunut, jos laite on mennyt epäkuuntoon tai jos se on pudotettu tai sitä on vaurioitettu jollain tavalla. Palauta laite valmistajalle tarkastusta, sähkö- tai mekaanista säätöä tai korjausta varten.
9. Käytä laitetta pelkästään sille tarkoitettuun, tässä ohjekirjassa selostettuun käyttötarkoitukseen. Muut käyttötavat, joita valmistaja ei suosittele, voivat aiheuttaa tulipalon, sähköiskun tai henkilövahingon. Sellaisten lisälaitteiden käyttö, joita The Holmes Group, ei suosittele tai myy, voi aiheuttaa vaaroja.
10. ÄLÄ käytä ukotiloissa.
11. Aseta ilmankostutin aina tukevalle, tasaiselle, vaakatasossa olevalle pinnalle. Kostuttimen alla suositellaan pidettäväksi vedenkestävää mattoa tai tyynyä. ÄLÄ KOSKAAN aseta sitä tavallisen maton tai kokolattiamaton päälle tai sellaiselle lattiapinnalle, joka voi vaurioitua, kun sille pääsee vettä tai kosteutta.
12. ÄLÄ anna kosteutta tuottavan aukon osoittaa suoraan seinään päin. Kosteus voi aiheuttaa vahinkoja, erityisesti tapettiin.
13. Kostutin tulisi kytkeä irti seinäpistorasiasta, kun sitä ei käytetä.
14. ÄLÄ KOSKAAN kallista, siirrä tai yritä tyhjentää laitetta, kun se on toiminnassa. Kytke laite pois päältä ja irrota pistoke pistorasiasta ennen vesisäiliön irrottamista ja laitteen siirtämistä. ÄLÄ yritä irrottaa vesisäiliötä 15 minuuttiin sen jälkeen, kun kostutin on kytketty pois päältä ja irrotettu seinäpistorasiasta. Siitä voi aiheutua vakava vahinko.
15. Tämä ilmankostutin vaatii päivittäistä ja viikottaista kunnossapitoa, jotta se toimisi moitteettomasti. Katso tietoja päivittäisistä ja viikottaista puhdistusmenettelyistä.
16. ÄLÄ KOSKAAN käytä puhdistusaineita, bensiniä, lasinpuhdistusainetta, huonekalujen kiillotusainetta, maalin ohenninta tai muita taloudessa käytettäviä liuottimia ilmankostuttimen jonkin osan puhdistamiseen.

17. Liiallinen kosteus huoneessa voi aiheuttaa kosteuden tiivistymistä ikkunoihin ja joihinkin huonekaluihin. Jos näin tapahtuu, kytke ilmankostutin POIS PÄÄLTÄ.

18. Älä käytä ilmankostutinta tiloissa, joissa ilmankosteus on suurempi kuin 55%.

19. ÄLÄ yritä korjata tai säätää mitään tässä laitteessa olevaa sähköistä tai mekaanista toimintaa. Tällainen toimenpide tekee takuun mitättömäksi. Laitteen sisällä ei ole mitään osia, joita käyttäjä voi huoltaa itse. Ainoastaan pätevän huoltohenkilöstön tulee suorittaa huoltotoimia.

20. Mikäli sähköjohto vahingoittuu, palauta laite valmistajalle, sen edustajalle tai pätevään huoltoliikkeeseen johdon korjaamista tai vaihtamista varten.

#### SÄILYTÄ NÄMÄ OHJEET

Huomautamme, että tämä laite on sähkölaite ja sen toimintaa on tarkkailtava käytön aikana.

Miten lämmintä kosteutta tuottava ilmankostutin toimii

Bionaire™ lämmintä ilmaa tuottava ilmankostutin on suunniteltu siten, että oikea määrä vettä virtaa säiliöstä veden puhdistussuodattimen kautta. Suodatin poistaa suurimman osan veden mineraaleista ja jäänteistä ennen kuin vesi siirtyy lämmityskammioon. Vesi siirtyy lämmityskammioon, jossa elektronisella lämmönsäätimellä toimiva kuumennusvastus lämmittää veden. Ilmaa imetään sisään takana olevan ristikon aukkojen kautta ja sekoitetaan höyryyn höyrykammiossa. Lämmin höyry poistuu sitten höyrykammion yläosassa olevan ulostuloristikon kautta huoneeseen.

HUOM: Alle 30% ilmankosteustaso voi olla epäterveellinen ja epämukava. Suositeltu ilmankosteus on välillä 45%-55%.

#### OHJEET ENNEN KÄYTTÖÄ

1. Varmista, että ilmankostutin on kytketty irti sähköpistorasiasta ja että toimintanappi on 0 -asennossa.
2. Valitse ilmankostuttimen sijaintipaikka, joka on tasainen pinta noin 100 mm seinästä. Älä aseta ilmankostutinta huonekalujen päälle. Paikka lattialla, joka ei vaurioidu kosteuden vaikutuksesta, on paras.
3. Irrota vesisäiliö (katso kuva 1). Irrota vedenpuhdistussuodatin ja

varmistaa, että suodattimen ympärillä oleva muovipussi poistetaan.

Käytettäessä vedenpuhdistussuodatinta ilmankostuttimessa ensimmäistä kertaa, tai kun laitetta ei ole käytetty vähään aikaan (eli 48 tuntiin) imeytää suodattimeen etukäteen vettäjuoksevan kylmävesihanan alla. Aseta suodatin laitteeseen ja anna veden kulkeutua suodattimen läpi 5 minuutin ajan.

4. Varmista, että vesilaatikossa ei ole vieraita esineitä irrottamalla höyrykammio. Näiden kerroksittain olevien osien irrottamiseksi on siirrettävä turvalukitusta, joka kiinnittää molemmat osat paikalleen. (Aseta höyrykammio kuumennusvastuksen päälle, ja varmista, että turvalukitusnappi on "lukitus"-asennossa).

#### Vesisäiliön täyttäminen

HUOM: Tämän ilmankostuttimen säiliössä ja kostuttimen pohjalla voi olla noin 4.5 litraa vettä. Kostutin tuottaa jopa 11.5 litraa kosteutta vuorokauden aikana riippuen huoneesta vallitsevasta kosteudesta ja lämpötilasta.

1. Varmista, että ilmankostuttimen pistoke on irrotettu seinäpistorasiasta ja toimintanappi on 0 -asennossa.
2. Kierrä auki säiliön kansi, joka sijaitsee säiliön pohjassa kiertämällä sitä vastapäivään, ja täytä vesisäiliö kylmällä puhtaalla vedellä. Älä täytä säiliötä lämpimällä vedellä. Sillä se voi aiheuttaa vuodon.
3. Kun säiliö on täytetty, aseta säiliön kansi takaisin paikalleen kiertämällä sitä lujasti myötäpäivään, ja aseta säiliö sitten takaisin pohjalle. Säiliö alkaa tyhjäntyä heti pohjalle.
4. Kytke virtajohto sopivaan virtalähteeseen, johon pistoke ylettyy.

#### O KÄYTTÖOHJEET (katso kuva 2)

##### TÄRKEÄÄ:

Käytettäessä vedenpuhdistussuodatinta ilmankostuttimessa ensimmäistä kertaa, tai kun laitetta ei ole käytetty vähään aikaan (eli 48 tuntiin) imeytää suodattimeen etukäteen vettäjuoksevan kylmävesihanan alla. Aseta suodatin laitteeseen ja anna veden kulkeutua suodattimen läpi 5 minuutin ajan.

Nosta sitten vesisäiliötä varovasti ja tarkista, että 2/3 vesilaatikosta (D) on täyttynyt vedellä. Jos

näin ei ole asia, aseta vesisäiliö takaisin paikalleen ja odota vielä 5 minuuttia, jotta vesi saavuttaisi tarvittavan tason.

ÄLÄ kytke ilmankostutinta päälle ennen kuin 2/3 vesilaatikosta on täyttynyt vedellä.

1. Käännä toimintanappi asentoon I. On normaalia, että kostutin lämpiää noin 2-3 minuutin ajan ennen kuin höyryn tuotanto alkaa.
2. Lääkekuppi sijaitsee höyrykammion päällä. Kuppia käytettäessä kaada haluttua kostutintiläikeainetta rakoön. Älä lisää lääkeainetta vesisäiliöön. ÄLÄKÄ lisää lääkeainetta kuppiin, kun laite on jo toiminnassa.

#### Yövalo

1. Käynnistä yövalo painamalla katkaisija "on" -asentoon
2. Sammuta valo päivän ajaksi pidentääksesi lampun kestoa

#### PALAUTUSMENETTELY

HUOM: Kun vesisäiliö on tyhjä ja lämmityskammiossa oleva vesi on melkein käytetty loppuun, toimii laitteen automaattinen katkaisu.

1. Käännä toimintanappi PALAUTUS-asentoon (RESET).
2. Irrota laitteen pisto seinäpistorasiasta.
3. Irrota vesisäiliö ja täytä se varmistaen, että päivittäisiä kunnossapito-ohjeita noudatetaan. Aseta säiliö takaisin pohjaan.
4. Odota 5 minuuttia, jotta automaattinen katkaisu palautuisi alkutilaan.
5. Kun 5 minuuttia on kulunut, kytke laite verkkovirtaan ja käännä toimintanappi asentoon I. Noin 2-3 minuutin kuluttua ilmankostutin alkaa tuottaa kosteutta.

#### TÄRKEÄÄ:

Jos et aio käyttää kostutinta kahteen tai useampaan päivään, varmista, että kaikki vesisäiliöön ja pohjaan jäänyt vesi valutetaan ulos levän ja bakteerien kasvun estämiseksi.

#### VEDENPUHDISTUSSUODATTIMEN VAIHTAMINEN

Vedenpuhdistussuodatinta käytetään vedessä olevien mineraalien poistamiseen ja puhtaan höyryn aikaansaamiseen. Suodattimen käyttöikä riippuu kostuttimen keskimääräisestä

päivittäisestä käyttöajasta ja alueesi veden kovuudesta. Suodatin on vaihdettava uuteen useammin alueilla, joilla vesi on kovaa. Suosittelemme vahvasti, että suodatin vaihdetaan vähintään 2-3 kuukauden väliajoin (käytöstä riippuen) tai kun kuumennusvastuksen pintaan alkaa kerääntyä mineraaleja.

#### Suodattimen vaihtaminen:

1. Kytke ilmankostutin pois päältä ja irrota pistoke pistorasiasta. Irrota säiliö, valuta pohjalla mahdollisesti oleva vesi ulos, nosta käytetty suodatin ulos ja heitä se pois.
2. Poista uuden suodattimen suojaussi ja aseta suodatin pohjaan (katso kuva 2). Aseta säiliö takaisin paikalleen, ja kytke pistoke verkkovirtaan. Kun suodatin asennetaan paikalleen ensimmäistä kertaa, odota 15 minuuttia, jotta vesi voi virrata suodattimen läpi, ennen kuin kytket laitteen PÄÄLLE (I).

#### PUHDISTUS- JA KUNNOSSAPITO-OHJEET

Seuraavat kunnossapitotoimenpiteet on suoritettava säännöllisesti, jotta ilmankostutin toimisi oikein ja tehokkaasti. Laite EI TOIMI, jos sitä ei ole puhdistettu kunnolla.

Laitetta käytettäessä suositellaan päivittäisiä ja viikottaisia kunnossapitotoimia. Säännöllinen puhdistus estää myös kalkkikiven muodostumisen kuumennusvastuksen pintaan ja laatikkoon. Se estää myös mikro-organismien kasvun laatikossa ja säiliössä. Näin varmistetaan, että saavutetaan paras mahdollinen toimintatote.

#### Yleiset hoito-ohjeet

Kostuttimen hoitotarve riippuu laitteen keskimääräisestä päivittäisestä käyttömäärästä ja paikkakuntasi veden laadusta (kovuudesta). Suosittelemme laitteen puhdistamista ja hoitoa vähintään kerran viikossa tai useammin tarpeen vaatiessa.

1. Aseta säädin 0 -asentoon ennen puhdistamista ja irrota laitteen pistoke seinäpistorasiasta.
2. Irrota vesisäiliö ja irrota höyrykammion lukitus kiertämällä turvalukitusta. Nosta höyrykammio ulos laitteen pohjalta. Nosta sitten pohjalta laatikko.
3. Tyhjennä laatikosta vesi ja mineraalit ja aseta se astianpesukoneen ylätelineelle. Tällä poistetaan kaikki mahdolliset jäänteet ja lika, joka on kertynyt laatikkoon.

HUOM: On välttämätöntä, että laatikko puhdistetaan kunnolla. Laatikko kestää pesua astianpesukoneessa, missä se voidaan puhdistaa helposti.

- Huuhtelee säiliö ja täytä se kylmällä puhtaalla vedellä.
- Pyyhi kuumennusvastus puhtaaksi pehmeällä rievulla, kun se on jäähtynyt.

VAROITUS: Jos kosteudenjäähdytyspilo jätetään kiinni ilmankostuttimeen, voi kestää tunnin, ennen kuin kuumennusvastus on jäähtynyt tarpeeksi, jotta siihen on turvallista koskea.

Emme voi korostaa liiaksi sitä, kuinka tärkeätä asianmukainen puhdistus on laitteen kunnossapidon, jatkuvan käytön sekä levän tai bakteerien kasvun kannalta.

Tämä ilmankostutin lämmittelee vettä tuottaen puhdasta kosteutta. Jotkut veden epäpuhtaudet kerääntyvät lämmityskammioon. Elektronisesti lämpöä säätävä kuumennusvastus on päällystetty Teflon-pinnoitteella, joka on suunniteltu helpottamaan puhdistamista ja pidentämään ilmankostuttimen käyttötehokkuutta.

ÄLÄ käytä metalliesineitä tai mitään kovia esineitä kuumennusvastuksen puhdistamiseen. Pinnoite voi naarmuuntua, jos puhdistus suoritetaan väärin.

Älä koskaan käytä puhdistusaineita, bensiiniä, lasinpuhdistusainetta, huonekalujen kiillotusainetta, maalin ohenninta tai muita taloudessa käytettäviä liuottimia ilmankostuttimen jonkin osan puhdistamiseen.

Viikottainen kunnossapito  
Suosittelemme Bionaire™ Clean away -  
kostuttimen puhdistusratkaisua.

Levitä puhdistusaine muoviharjalla puhdistettaville pinnoille. Anna sen vaikuttaa kunnes lika irtoaa.

Puhdistaaksesi säiliön, sekoita 2 kapselia puhdistusainetta 2 litraan vettä. Anna seoksen seisoa useita minuutteja, heiluttaen seosta muutaman minuutin välein. Valuta puhdistusaine pois ja HUUHTELE säiliö huolellisesti.

- Toista päivittäistä kunnossapitoa käsittelevän osan vaiheet 1-3.
- Puhdista laatikko täyttämällä se osittain 200ml:lla laimentamatonta etikkaa. Anna liuoksen seistä 20 minuuttia samalla puhdistaan kaikki sisäpinnat pehmeällä harjalla. Kostuta riepu laimentamattomaan etikkaan ja pyyhi koko laatikko kalkkikiven poistamiseksi.

- Huuhtelee puhtaalla lämpimällä vedellä kalkkikiven ja etikan poistamiseksi ennen säiliön desinfiointia.
- Pyyhi kuumennusvastus puhtaaksi pehmeällä rievulla ennen kuin se ehtii jäähtyä.

Desinfioi säiliö:

- Täytä säiliö 1 teelusikallisella kloorivalkaisuinetta (Bleach) ja 3,5 litralla vettä.
- Anna liuoksen seistä 20 minuuttia ja heiluttele säiliötä muutaman minuutin väliajoin. Kastele kaikki pinnat.
- Tyhjennä säiliö 20 minuutin kuluttua ja huuhtelee hyvin vedellä kunnes valkaisuaineen haju häviää. Kuivaa kuivalla rievulla tai paperipyyhkeellä.
- Täytä vesisäiliö kylmällä vedellä; aseta sisäosat ja vesisäiliö takaisin paikalleen. Toista käyttöohjeet.

Säilytysohjeet

Jos ilmankostutinta ei käytetä kahteen tai useampaan päivään tai käyttökauden lopussa, noudata näitä ohjeita.

- Puhdista, huuhtelee ja kuivaa kostutin perusteellisesti viikottaista kunnossapitoa käsittelevässä osassa selostetulla tavalla. ÄLÄ jätä vettä pohjalle tai laatikkoon.
- Irrota säiliön kansi. Älä säilytä laitetta siten, että säiliön kansi on paikallaan.
- Poista suodatin laitteesta ja heitä se pois.
- Aseta ilmankostutin alkuperäiseen pakkaukseensa, ja säilytä se viileässä ja kuivassa paikassa.
- Puhdista ilmankostutin ennen seuraavan käyttökauden alkamista.
- Tilaa uusi suodatin seuraavaa käyttökautta varten.

HUOLTO-OHJEET

- ÄLÄ yritä korjata tai säätää mitään tämän laitteen sähköistä tai mekaanista osaa. Tällainen toimenpide tekee takuun mitättömäksi. Laitteen sisällä ei ole mitään osia, joita käyttäjä voi huoltaa itse. Ainoastaan pätevän huoltohenkilöstön tulee suorittaa huoltotoimia.
- Jos laite on vaihdettava uuteen, palauta se alkuperäispakkauksessa myyntiosaston kanssa siihen kauppaan, josta se ostettiin.
- Jos ilmankostutin tarvitsee huoltoa, ota yhteys paikalliseen myyjään.

MALLIN BWM5075 LISÄVARUSTEET

- WMF-50 vedenpuhdistussuodatin
- Suosittellemme, että käytetään Bionaire™ BT400 -toimintoa Kosteusmittari/ lämpömittari
- Bionaire™-ilmankostuttimen puhdistusliuos

TEKNISET TIEDOT

Tulojännite: 230-240 V~ 50 Hz  
Virrankulutus: 400 Wattia (maksimi)

The Holmes Group pidättää itselleen oikeuden vaihtaa tai muuttaa mitä tahansa teknisiä tietoja siitä erikseen ilmoittamatta.

TÄMÄ TUOTE ON VALMISTETTU  
NOUDATTAMAAN KOSKEVAN EC-DIREKTIIVIN  
73/23/EEC, 89/336/EEC VAATIMUKSIA.

TAKUU

SÄILYTYÄ OSTOKUUITTI – TARVITSET SITÄ, JOS  
TEET KORVAUSVAATIMUKSIA TÄMÄN  
TAKUUN POHJALTA.

- Tuotteella on 2 vuoden takuu.
- Jos tuotteeseen tulee vika, vie se takaisin ostopaikkaan yhdessä kassakuitin ja tämän takuun kanssa.
- Tämän takuun myöntämät oikeudet ja edut ovat lakisääteisten oikeuksiesi lisäksi, joihin tämä takuu ei vaikuta.
- Holmes Products Europe korjaa tai vaihtaa takuuajana maksutta kaikki viallisiksi havaitut tuotteen osat seuraavilla edellytyksillä:
  - Meille ilmoitetaan viasta välittömästi.
  - Laitetta ei ole muunneltu mitenkään eikä väärinkäytetty, eikä sitä ole annettu muun kuin Holmes Products Europeen valtuuttaman huoltohenkilön korjattavaksi.
- Tämä takuu koskee ainoastaan laitteen alkuperäistä ostajaa; sitä ei myöskään anneta henkilöille, jotka hankkivat sen kaupalliseen tai yhteisökäyttöön.
- Nämä samat takuehdot koskevat kaikkia korjattuja tai vaihdettuja laitteita takuun jäljellä olevan ajan loppuun saakka.

## NORSK

Gratulerer!

Ved å velge en Bionaire™ luftfukter har du skaffet deg en av de beste luftfukterne som finnes på markedet i dag.

VENNLIGST LES OG TA VARE PÅ DISSE  
VIKTIGE INSTRUKSJONENE.

MERK: Før du leser denne instruksjonen,  
vennligst sjekk den medfølgende illustrasjon.

Beskrivelser (se figur 1/2/3)

- Strømbryter
- Vanntank
- Vannrensefilter
- Vannskål
- Dampkammer
- Sikkerhetslås
- Tanklokk
- Varmeelement
- Nattlys

SIKKERHETSREGLER

Når du bruker elektriske apparater, bør du alltid følge grunnleggende sikkerhetsregler for å redusere faren for brann, elektrisk støt og personskade. Husk derfor alltid på følgende:

- Les alle instruksjoner før du bruker apparatet.
- For å unngå fare for brann eller elektrisk støt skal apparatet kobles direkte til en stikkontakt. Sett støpselet helt inn.
- Ikke la ledningen ligge slik at man kan trække på den. For å unngå fare for brann må ledningen ALDRI plasseres under teppe, eller nær radiatorer, komfyrer eller ovner.
- IKKE plasser luftfukteren nær varmekilder som komfyrer, radiatorer og ovner. Plasser luftfukteren opp mot en innvendig vegg nær en stikkontakt. Luftfukteren bør stå minst 100 mm fra veggen hvis du vil oppnå optimale resultater.
- ÄLÄ KOSKAAN aseta ilmankostutinta tilaan, jossa lapset voivat päästä koskettamaan. ÄLÄ KOSKAAN käytä ilmankostutinta suljetussa tilassa, lepää tai leikkii tässä tilassa (suljetussa tilassa voi syntyä liiallista kosteutta).
- ADVARSEL: Ikke prøv å etterfylle luftfukteren før den er koblet fra strømuttaket. Trekk alltid ut selve støpselet (ikke dra i ledningen) når enheten skal kobles fra.
- Det må ALDRI slippes eller stikkes gjenstander

inn i åpninger på luftfukteren. IKKE plasser hender, ansikt eller andre deler av kroppen rett over eller nær fuktighetsutløpet når enheten er i bruk. IKKE dekk til eller plasser noe over fuktighetsutløpet når enheten er i bruk.

8. IKKE bruk apparatet hvis ledningen eller støpselet er skadet. Det må heller ikke brukes hvis det har funksjonsfeil eller hvis det er sluppet i gulvet eller skadet på noen måte. Returner apparatet til produsenten for undersøkelse, elektrisk/mekanisk justering eller reparasjon.
9. Apparatet må kun brukes som beskrevet i denne håndboken. Annen bruk anbefales ikke av produsenten, og det kan føre til brann, elektrisk støt eller personskader. Bruk av tilkoblede enheter som ikke er anbefalt eller solgt av The Holmes Group, kan medføre fare.
10. IKKE bruk apparatet utendørs.
11. Plasser alltid luftfukteren på et fast, flatt og jevnt underlag. Det anbefales å bruke en vannrett matte eller duk under luftfukteren. Plasser den ALDRI på en rye eller et teppe, eller på et overflatebehandlet gulv som kan ta skade av vann eller fuktighet.
12. IKKE la fuktighetsutløpet vende direkte mot en vegg. Fuktigheten kan føre til skader, spesielt på tapeter.
13. Luftfukteren bør kobles fra når den ikke er i bruk.
14. Prøv ALDRI å vippe, flytte eller tømme enheten når den er i drift. Slå av og koble fra enheten før vanntanken tas ut og enheten flyttes. IKKE prøv å ta ut vanntanken de første 15 minuttene etter at luftfukteren er slått av og koblet fra. Det kan føre til alvorlige skader.
15. Luftfukteren krever daglig og ukentlig vedlikehold for at den skal fungere riktig. Se informasjonen om daglige og ukentlige rengjøringsprosedyrer.
16. Bruk ALDRI vaskemidler, bensin, glassrensere, møbelpuss, malingstynner eller andre husholdningsløsninger til rengjøring av noen av delene på luftfukteren.
17. For høy fuktighet i et rom kan føre til kondens på vinduer og enkelte møbler. Hvis dette skjer, slå av luftfukteren.
18. Ikke bruk luftfukteren på steder der luftfuktigheten er over 55 %.
19. IKKE prøv å reparere enheten eller justere noen av dens elektriske eller mekaniske funksjoner. Hvis du gjør det, oppheves garantien. Brukeren skal ikke utføre service på noen av enhetens innvendige deler. All service

bør bare utføres kvalifisert personell. 20. Dersom ledningen skulle bli skadet, returner apparatet til produsenten, selger, eller et kvalifisert vedlikeholdssenter for utskiftning.

#### VENNLIGST TA VARE PÅ DISSE INSTRUKSJONENE

Vær oppmerksom på at dette er et elektrisk apparat, og det krever ettersyn når det er i bruk.

#### Slik fungerer luftfukteren

Din Bonaire™ luftfukter med varm vanddamp er konstruert slik at riktig mengde vann skal strøme ut av tanken og gjennom vannrensefilteret. Filteret fjerner mesteparten av vannets mineraler og sedimenter før vannet når varmekammeret. Vannet føres til varmekammeret der det elektronisk styrte varmeelementet varmer opp vannet. Luften trekkes inn gjennom inntaksristene på baksiden av enheten, og blandes deretter med vanddampen i dampkammeret. Den varme vanddampen fordeles deretter fra toppen av dampkammeret og går gjennom utløpsristen og ut i rommet.

MERK: Et luftfuktighetsnivå på under 20 % kan være helseskadelig og ubehagelig. Den anbefalte luftfuktigheten ligger i området 45–55 %.

#### INSTRUKSJONER FØR BRUK

1. Kontroller at luftfukteren er koblet fra strømuttaket og at strømbryteren står i posisjonen 0 (AV).
2. Velg en plassering for luftfukteren, på et flatt underlag, ca. 100 mm fra veggen. Ikke plasser luftfukteren på et møbel. Den beste plasseringen er et sted på gulvet der fuktigheten ikke kan føre til skader.
3. Ta ut vanntanken (se figur 1). Ta ut vannrensefilteret, og kontroller at plastposen rundt filteret fjernes. Når du bruker vannrensefilteret i luftfukteren for første gang, eller etter en periode der luftfukteren ikke har vært i bruk (f.eks. 48 timer), må du dynke filteret på forhånd under kaldt, rennende springvann. Sett så på plass filteret i enheten og la det gå 5 minutter slik at vannet kan trekke gjennom.
4. Kontroller at det ikke finnes fremmedelementer i vannskålen ved å fjerne dampkammeret. Når

du skal fjerne denne todelte enheten, må du bevege sikkerhetslåsen som holder begge deler på plass. (Sett på plass igjen dampkammeret over varmeelementet og kontroller at sikkerhetslåsens hendel er i den låste (Lock) posisjonen.)

#### Fylle vanntanken

MERK: Denne luftfukteren har en kapasitet på ca. 4,5 liter vann i vanntanken og sokkelen. Luftfukteren vil produsere opptil 11,5 liter fuktighet i løpet av en 24-timers periode.

1. Kontroller at luftfukteren er koblet fra strømuttaket og at strømbryteren står i posisjonen 0 (AV).
2. Skru av tanklokket på undersiden av tanken vanntanken med kaldt, friskt vann. Ikke fyll på varmt vann, ettersom det kan føre til lekkasjer.
3. Etter at du har fylt tanken, skru du på igjen tanklokket ved å skru det med urviser. Deretter setter du på plass tanken igjen på apparatets sokkel. Det vil med én gang begynne å renne vann fra tanken ned i sokkelen.
4. Koble strømledningen til en stikkontakt med riktig nettspenning.

#### BRUKSINSTRUKSJONER (Se figur 2)

##### VIKTIG:

Når du bruker vannrensefilteret i luftfukteren for første gang, eller etter en periode der luftfukteren ikke har vært i bruk (f.eks. 48 timer), må du dynke filteret på forhånd under kaldt, rennende springvann. Sett så på plass filteret i enheten og la det gå 5 minutter slik at vannet kan trekke gjennom.

Deretter løfter du forsiktig opp vanntanken og kontrollerer om vannskålen (D) er 2/3 full med vann. Hvis ikke setter du vanntanken på plass igjen og venter ytterligere 5 minutter inntil vannet når det ønskede nivået.

Du må IKKE slå på luftfukteren før vannskålen er 2/3 full med vann.

1. Sett strømbryteren i posisjonen I. Det går vanligvis 2–3 minutter før luftfukteren blir varm og starter å produsere vanddamp.
2. Fuktmiddelbeholderen er plassert på toppen av dampkammeret. Når den skal brukes, helles det på et egnet fuktmiddel i sporet. IKKE tilsett fuktmiddel direkte i vanntanken. Det må IKKE tilsettes fuktmiddel i fuktmiddelbeholderen når enheten allerede er i drift.

#### Nattlys

1. For å aktivere nattlyset skyv knotten til påstillingen
2. For å gi pæren lengst mulig levetid slå av nattlyset om dagen

#### ETTERFYLINGSPROSEDYRE

MERK: Når vanntanken er tom og vannet i varmekammeret nesten er oppbrukt, vil den automatiske avstengningsfunksjonen aktiveres.

1. Drei strømbryteren til posisjonen RESET.
2. Koble fra enheten.
3. Ta ut og etterfyll vanntanken. Følg instruksjonene for daglig vedlikehold. Sett på plass tanken igjen på sokkelen.
4. Vent i 5 minutter slik at den automatiske avstengningsfunksjonen kan nullstilles.
5. Etter 5 minutter kobler du til enheten og dreier strømbryteren til posisjonen I. Etter ca. 2–3 minutter vil luftfukteren begynne å produsere fuktighet.

#### VIKTIG:

Hvis du ikke har tenkt å bruke luftfukteren på to eller flere dager, kontroller at gjenværende vann tømmes fra tanken og sokkelen, slik at du forhindrer at det dannes alger og bakterier.

#### Skifte vannrensefilteret

Vannrensefilteret brukes til å fjerne mineraler i vannet slik at luftfukteren kan produsere ren vanddamp. Filterets levetid bestemmes av den gjennomsnittlige daglige bruken av luftfukteren og vannhardheten i ditt område. I områder med hardt vann vil det være nødvendig å skifte filteret oftere. Du bør skifte filteret minst hver 2. eller 3. måned (avhengig av bruken), eller når det begynner å samle seg mineraler på varmeelementet.

#### Slik skifter du filteret:

1. Slå av (0) luftfukteren og koble den fra strømmettet. Ta ut tanken og tøm sokkelen for eventuelt gjenværende vann. Løft ut det brukte filteret og kasser det.
2. Fjern beskyttelsesposen på det nye filteret, og monter deretter filteret i sokkelen (se figur 2). Sett på plass tanken, og koble apparatet til strømmettet igjen. Når du installerer filteret for første gang, vent i 15 minutter før du slår på (I) enheten, slik at vannet får tid til å strømme gjennom den.

#### INSTRUKSJONER FOR RENGJØRING OG VEDLIKEHOLD

Vedlikeholdsprosedyrene nedenfor må utføres regelmessig for å sikre at luftfukteren fungerer riktig og effektivt.

Hvis enheten ikke rengjøres ordentlig, vil den IKKE FUNGERE.

Når enheten brukes regelmessig, bør det utføres daglig og ukentlig vedlikehold. Regelmessig rengjøring forhindrer dannelse av avleiringer på varmeelementet og skålen. Det forhindrer også fremvekst av mikroorganismer i skålen og tanken. Dette sikrer at apparatet fungerer optimalt.

Vi kan ikke understreke sterkt nok hvor viktig rengjøring er for enhetens vedlikehold og levetid. Regelmessig rengjøring forhindrer også dannelse av alger og bakterier.

#### Regelmessig vedlikehold

Hyppigheten av vedlikeholdet vil avhenge av den gjennomsnittlige daglige bruken av luftfukteren samt vannhardheten i ditt område. Det anbefales at prosedyren nedenfor utføres ukentlig eller oftere om nødvendig.

1. Før rengjøringen må kontrollen settes i posisjonen 0 og enheten kobles fra strømmuttaket.
2. Ta ut vanntanken, og løsne deretter dampkammeret ved å dreie sikkerhetslåsen. Løft dampkammeret opp fra enhetens sokkel. Løft deretter skålen ut av sokkelen.
3. Tøm ut vann og mineraler fra skålen og sett den i øverste hylle i en oppvaskmaskin. En slik vask vil fjerne sedimenter og smuss som har samlet seg i skålen.  
MERK: Det er viktig at skålen rengjøres ordentlig. Skålen tåler vask i oppvaskmaskin, slik at det skal være enkelt å rengjøre den.
4. Skyll tanken og etterfyll med rent, kaldt vann.
5. Tørk varmeelementet rent med en myk klut etter at det er avkjølt.

ADVARSEL: Hvis du ikke fjerner dampkjølertrakten fra luftfukteren, kan det ta opptil 1 time før varmeelementet er såpass avkjølt at det kan berøres.

Denne luftfukteren varmer opp vannet slik at det produseres ren damp. Noen av urenheterne fra vannet samles i varmekammeret. Det elektronisk styrt varmeelementet er dekket med et Teflon-belegg, slik at det skal være enkelt å rengjøre og samtidig forlenge levetiden til luftfukteren.

IKKE bruk metalleder eller harde gjenstander til rengjøring av varmeelementet. Belegget kan få riper hvis det rengjøres på feil måte.

Bruk aldri vaskemidler, bensin, parafin, glassrensere, møbelpuss, malingstynner eller andre husholdningsløsninger til rengjøring av noen deler av luftfukteren.

#### Ukentlig vedlikehold

Vi anbefaler å bruke Bionaire™ Clean away, luftfukter rengjøringsmiddel. Hell opp i rengjøringsmiddelet og la det ligge i bløyt en stund, bruk så en gammel tannbørste til rengjøringen.

For rengjøring av tanken, bland 2 korker av rengjøringsmiddelet og 2 liter vann.

La blandingen stå i noen minutter, rist godt og hell ut. Skyll tanken godt etter på.

1. Gjenta trinn 1–3 under Daglig vedlikehold.
2. Rengjør skålen ved å delvis fylle den med 200 ml uforynnnet hvit eddik. La oppløsningen stå i 20 minutter, og rengjør alle innvendige overflater med en myk børste. Fukt en klut med uforynnnet hvit eddik og tørk av hele skålen for å fjerne avleiringer.
3. Skyll med rent, varmt vann for å fjerne avleiringer og oppløsningen av hvit eddik før du begynner å desinfisere tanken.
4. Tørk rent varmeelementet med en myk klut etter at det har fått tid til å avkjøle seg.

#### Desinfisere tanken:

1. Fyll tanken med 1 teskje blekemiddel og 3,5 liter vann.
2. La oppløsningen stå i 20 minutter, og rist tanken med et par minutters mellomrom. Sørg for at alle overflater blir våte.
3. Tøm tanken etter 20 minutter, og skyll godt med vann inntil lukten av blekemiddelet er helt borte. Tørk med en ren klut av papirhåndkle.
4. Fyll tanken med kaldt vann, og sett deretter på plass huset og vanntanken. Gjenta prosedyren under Bruksinstruksjoner.

#### Instruksjoner for lagring

Hvis luftfukteren ikke skal på brukes på to dager eller mer, eller hvis den skal settes bort visse deler av året, følger du disse instruksjonene.

1. Rengjør, skyll og tørk luftfukteren grundig som beskrevet under Ukentlig vedlikehold. IKKE la det være vann igjen i sokkelen eller skålen.
2. Ta av tanklokket. Luftfukteren må ikke lagres med tanklokket påskrudd.
3. Ta ut filteret og kasser det.
4. Plasser luftfukteren i originalemballasjen og lagre den på et kjølig, tørt sted.
5. Rengjør luftfukteren før den tas i bruk igjen etter lagring.
6. Bestill et nytt filter slik at det er klart til luftfukteren skal brukes igjen.

#### INSTRUKSJONER FOR SERVICE

1. IKKE prøv å reparere enheten eller noen av

dens elektriske eller mekaniske funksjoner.

Hvis du gjør det, oppheves garantien.

Brukeren skal ikke utføre service på noen av enhetens innvendige deler. All service bør bare utføres kvalifisert personell.

2. Hvis du må skifte ut enheten, vennligst returner den i originalemballasjen til det stedet der du kjøpte den. Ta med kvitteringen for kjøpet.
3. Hvis det kreves service på luftfukteren, vennligst kontakt din lokale forhandler.

#### TILBEHØR FOR MODELL BWM5075

- WMF-50 vannrensefilter
- Vi anbefaler at det brukes et Bionaire™ BT400 hygrometer/ termometer.
- Rensemiddel for Bionaire™ luftfukter

#### TEKNISKE SPESIFIKASJONER

Inngangsspenning: 230–240 V ~ 50 Hz

Strømforbruk: 400 Watt (maks.)

The Holmes Group forbeholder seg retten til å endre disse spesifikasjonene uten at det gis varsel om det.

DETTE PRODUKTET ER PRODUSERT I SAMSVAR MED KRAVENE TIL I EU-DIREKTIV 73/23/EEC, 89/336/EEC.

#### GARANTI

TA VARE PÅ KVITTERINGEN, DA DU VIL TRENGE DEN HVIS DU FREMMER ET KRAV UNDER GARANTIEN

- Dette produktet har 2 års garanti.
- Hvis produktet mot formodning skulle svikte, kan du ta det med til forretningen du kjøpte det, sammen med kvitteringen og en gjenpart av garantien.
- Dine rettigheter og fordeler under denne garantien kommer i tillegg til dine lovbestemte rettigheter som ikke berøres av garantien.
- Holmes Products Europe forplikter seg til, innenfor den spesifiserte tidsperioden, vederlagsfritt å reparere eller erstatte enhver del av produktet som viser seg å være defekt, forutsatt at:
  - Vi informeres umiddelbart når feilen oppstår.
  - Produktet ikke er endret på noen måte eller har vært misbrukt eller reparert av andre enn de som er autoriserte av Holmes Product Europe.
- Det gis ingen rettigheter under garantien til personer som kjøper produktet brukt eller til personer som har brukt produktet kommersielt eller offentlig.
- Ethvert reparert eller erstattet produkt vil være garantert under disse vilkårene for den gjenværende delen av garantiperioden.

## DANSK

#### Tillykke

Ved at vælge Bionaire™ luftbefugter har du valgt en af fineste luftbefugtere på markedet i dag LÆS DENNE VIGTIGE BRUGSANVISNING IGENNEM, OG GEM DEN TIL SENERE

**BEMÆRK:** Se de tilsvarende illustrationer før brugsanvisningen læses igennem.

#### BRUG.

Beskrivelser (se fig. 1/2/3)

- a. Tænd-sluk-knap
- b. Vandtank
- c. Vandrensningsfilter
- d. Vandbakke
- e. Tågekammer
- f. Sikkerheds lås
- g. Tankdæksel
- h. Varmeelement
- i. Natlampe

#### SIKKERHEDSFORANSTALTNINGER

Grundliggende sikkerhedsforanstaltninger skal altid følges ved brug af elektriske apparater for at reducere risiko for brand, elektrochok og personskade, inklusive følgende:

1. Læs denne brugsanvisning igennem før apparatet anvendes.
2. For at undgå fare for brand eller elektrochok skal enhedens netstik sættes direkte i stikkontakten og netstikket trykkes helt ind.
3. Ledningen må ikke føres på tværs af områder, hvor folk færdes. For at undgå brandfare må ledningen ALDRIG lægges ned under tæpper eller tæt på radiatorer, brændeovne eller varmeapparater.
4. Luftbefugteren MÅ IKKE placeres tæt på varmekilder som f.eks. brændeovn, radiatorer og varmeapparater. Befugteren skal placeres ved en indvendig væg tæt på en stikkontakt. Luftbefugteren skal være mindst 10 cm fra væggen for at give det bedste resultat.
5. ADVARSEL: Denne luftbefugter producerer varm damp og må derfor ikke placeres på et område, hvor den er tilgængelig for børn. Luftbefugtere må aldrig bruges i et lukket rum. (dvs. med lukkede døre og vinduer), da dette kan resultere i en for høj luftfugtighed.
6. ADVARSEL: Man må ikke forsøge at fylde vand på luftbefugteren uden først at tage netledningen ud af stikkontakten. Sørg for at trække i stikket og ikke i ledningen.
7. Man må ALDRIG putte nogen som helst



emner ned eller ind i nogen som helst af enhedens åbningen. Man MÅ IKKE putte hænder, ansigt eller krop direkte hen over eller tæt på fugtudgangen, mens enheden er i drift. Man MÅ IKKE dække fugtudgangen til eller placere noget som helst over den, mens enheden er i drift.

8. Man MÅ IKKE drive en enhed med beskadiget ledning eller ledningsstik, eller hvis denne fejlfungerer, eller hvis den er blevet tabt eller beskadiget på nogen som helst måde. I så tilfælde skal enheden returneres til fabrikanten for inspektion, elektrisk eller mekanisk justering eller reparation.
9. Enheden må kun anvendes til påtænkt husholdningsbrug, som beskrevet i denne brugsanvisning. Enhver anden brug, som ikke er blevet anbefalet af fabrikanten, kan resultere i brand, elektrochok eller personskade. Brug af ekstraudstyr, som ikke er blevet anbefalet eller solgt af Holmes Group, kan forårsage farer.
10. MÅ IKKE bruges udendørs.
11. Luftbefugteren skal altid placeres på en overflade, der er fast, plan og i niveau. En vandtæt måtte eller underlag under luftbefugteren anbefales.  
Man MÅ ALDRIG placere den på en overflade, som kan blive beskadiget ved udsættelse overfor vand og fugt (f.eks. et behandlet gulv)
12. Man MÅ IKKE lade fugtudgangen åbne direkte ud mod væggen. Fugt kan forårsage beskadigelse, især på tapet.
13. Luftbefugterens netstik skal tages ud af stikkontakten, når den ikke er i brug.
14. Gør aldrig forsøg på at vippe, flytte eller tømme enheden, mens den er i brug. Sluk den og træk stikket ud, før vandtanken fjernes og enheden flyttes. Forsøg IKKE på at fjerne vandtanken inden for 15 minutter efter, at luftbefugteren er blevet slukket og stikket taget ud. Der er risiko for alvorlig personskade på grund af den høje vandtemperatur.
15. Denne luftbefugter kræver jævnligt vedligehold for at fungere korrekt. Der henvises til rengørings- og vedligeholdelsesprocedurer.
16. Brug ALDRIG rengøringsmidler, benzin, glasrens, møbelpolitur, lakfortynder eller andre almindelige opløsningsmidler til rengøring af nogen af luftbefugterens dele.
17. Hvis der er en for høj luftfugtighed i et rum kan det forårsage kondensdannelse på vinduer og møbler. Hvis dette sker, skal der

- slukkes for luftbefugteren (OFF).
18. Luftbefugteren må ikke bruges på områder, hvor luftfugtighedsniveauet er over 55%.
19. Man MÅ IKKE forsøge at reparere eller justere nogen som helst af denne enheds elektriske eller mekaniske funktioner. Enhedens indre indeholder ingen dele, som brugere kan vedligeholde. Alt servicearbejde skal udføres af kvalificeret personale.
20. Hvis netledningen er beskadiget, skal den udskiftes af fabrikanten eller dennes serviceagent eller lignende kvalificeret person.

**GEM VENLIGST DENNE BRUGSANVISNING**  
Bemærk venligst, at dette er et elektrisk apparat, som kræver opmærksomhed under brug.

Sådan fungerer varm tåge-luftbefugteren Bionaire™ varm tåge-luftbefugter er konstrueret til at lade en korrekt mængde vandtåge strømme ud af tanken og ind gennem vandrensingsfilteret.

Filteret tager det meste af mineral- og sedimentindholdet ud af vandet, før det strømmer ind i kogekammeret, hvor varmelementet med elektronisk termisk kontrol opvarmer vandet. Luft suges ind gennem gitteråbningerne bag på enheden og blandes med damp i tågekammeret. Den varme tåge strømmer derefter ud af tågekammerets øverste del gennem udgangsgitteret og ind i rummet.  
**BEMÆRK:** Et fugtighedsniveau under 30% kan være usundt og ubehageligt. Det anbefalede fugtighedsniveau er mellem 45% og 55%.

#### FØR BRUG

1. Sørg for at luftbefugteren er slået fra dvs. tænd-sluk-knappen er i 0 - slukket position, og at enhedens ledning er taget ud af stikkontakten.
2. Vælg et sted at placere luftbefugteren, hvilket vil sige en plan flade ca. 10 cm fra væggen. Luftbefugteren må ikke placeres på møbler. En gulvflade, som ikke kan blive beskadiget af vand eller fugt, er bedst.
3. Tag vandtanken ud (se Fig. 1). Tag vandrensingsfilteret ud og hold det under en kold, rindende hane i mindst 1 minut for at sikre, at det er vådt helt igennem. Put det tilbage i vandbakken.
4. Kontrollér at vandtanken er fri for fremmede legemer ved at fjerne tågekammeret. For at fjerne denne udluftningspåsats skal sikkerhedslåsen (F), som fastholder begge dele, flyttes. (Sæt tågekammeret tilbage på

plads over varmelementet og sørg for at sikkerhedslåsens knap er i "Lock" (låset) position).

#### Påfyldning af vandtank

**BEMÆRK:** Denne luftbefugter kan indeholde 5,5 liter vand i tanken og bundbakken.

Luftbefugteren vil producere op til 11,5 liter fugtighed i løbet af en 24-timers periode.

1. Sørg for at luftbefugteren er slået fra dvs. tænd-sluk-knappen er i 0 - slukket position, og at enhedens ledning er taget ud af stikket. Fjern vandtanken.
2. Skru tankdækslet, der er placeret i bunden af tanken, af ved at dreje mod uret og fyld tanken op med koldt, frisk vand. Fyld ikke varmt vand på, da dette kan medføre lækage.
3. Når tanken er fuld, skal tankdækslet sættes tilbage på plads og drejes med uret, hvorefter vandtanken sættes tilbage på luftbefugterens bund. Vandet vil straks begynde at løbe ned i bunden.
4. Sæt netledningen ind i en nærliggende stikkontakt.

#### BRUGSANVISNING (se Fig. 2)

##### VIGTIGT

Når vandrensingsfilteret bruges for første gang, eller hvis luftbefugteren skal bruges igen efter at have været slukket i en periode (dvs. over 48 timer), skal filteret først gennemvædes under en kold, rindende hane i 1 minut. Sæt filteret tilbage i enheden og lad vandet løbe igennem i 5 minutter.

Løft derefter forsigtigt vandtanken og kontrollér at vandbakken (D) er 2/3 fuld af vand. Hvis ikke, skal vandtanken fyldes og sættes tilbage på plads, hvorefter der ventes endnu 5 minutter på, at vandet når det ønskede niveau.

Der MÅ IKKE tændes for luftbefugteren, før vandbakken er 2/3 fuld af vand.

1. Drej tænd-sluk-knappen til position I. Det er normalt, at det tager luftbefugteren 2-3 minutter at varme op og begynde at afgive damp.
2. Medicinkoppen er placeret oven på tågekammeret. Den bruges til at hælde en behørig luftbefugter-medicin ned i rillen.

DER MÅ ikke tilsættes medicin til vandtanken. DER MÅ ikke tilsættes medicin til medicinkoppen, hvis enheden allerede er i drift.

#### Natlampe

1. Natlampen aktiveres ved at flytte knappen til ON (tændt) position
2. For at maksimere lampens levetid skal natlampen slukkes om dagen.

#### NULSTILLING

**BEMÆRK:** Når vandtanken er tom, og vandet i varmekammeret næsten er brugt op, tændes den røde genopfyldningslampe (rød), og automatisk nedlukning aktiveres. Enheden vil ikke træde i funktion igen, før vandtanken fyldes op, og luftbefugteren er blevet nulstillet som følger.

1. Drej tænd-sluk-knappen mod uret til RESET.
2. Træk enhedens netstik ud.
3. Fjern og fyld vandtanken op igen. Sæt tanken tilbage på bunden.
4. Vent 5 minutter, indtil automatisk nedlukning nulstilles.
5. Efter de 5 minutter sættes enhedens stik i igen, og tænd-sluk-knappen drejes hen på I. 2-3 minutter herefter vil luftbefugteren begynde at producere damp.
6. Hvis genopfyldningslampen forbliver tændt, skal der luftbefugteren stik tages ud, hvorefter der ventes yderligere 5 minutter.

#### VIGTIGT:

Hvis luftbefugteren ikke skal bruges i to eller flere dage, skal alt restvand tømmes ud af vandtanken og bunden for at undgå alge- og bakterievækst.

#### c. Vandrensingsfilter

Vandrensingsfilteret anvendes til at tilbageholde mineraler i vandet og give en ren fugtighedsydelse. Filterets levetid afhænger af luftbefugterens gennemsnitlige daglige brug og vandhårdheden i det pågældende område. I områder med hårdt vand vil det være nødvendigt at udskifte filteret mere hyppigt. Det anbefales stærkt, at filteret udskiftes mindst hver 2.-3. måned (alt afhængig af brug), eller når der begynder at dannes mineralaflejringer på varmelementet.

#### Udskiftning af filter:

1. Sæt luftbefugteren i 0 (slukket) position og tag stikket ud. Tag tanken ud, tøm bunden for eventuelt vand, løft det brugte filter ud og smid det væk.
2. Tag det nye filter ud af beskyttelsesposen og gennemvæd filteret under en kold, rindende hane i 1 minut. Placér det gennemvædede filter i bunden (se Fig. 2), sæt tanken tilbage på plads og lad vandet løbe igennem i mindst 5 minutter, før der tændes for enheden ON (I).

#### Drifts- og vedligeholdelsesanvisning

De følgende vedligeholdelsesprocedurer skal udføres rutinemæssigt for at sikre, at luftbefugteren fungerer effektivt og korrekt. Enheden VIL SVIGTE, hvis den ikke rengøres korrekt.

Jævnlig rengøring forebygger opbygning af kedelsten på varmeelement og bakke. Det vil også forhindre mikroorganismevekst i bakke og tank. Dette sikrer, at der opnås en maksimal ydelse.

Vi kan ikke ligge for vægt på, hvor afgørende korrekt rengøring er for vedligeholdelse og fortsat brug af enheden og for at undgå en opbygning af alger og bakterier.

Regelmæssigt vedligehold

Vedligeholdshyppigheden vil være afhængig af luftbefugterens gennemsnitlige daglige brug og vandhårdheden i det pågældende område. Det anbefales, at denne procedure udføres en gang om ugen eller endnu hyppigere, hvis det er nødvendigt.

1. Før rengøring skal enheden sættes på 0 (slukket) position og være afbrudt fra stikkontakten.
2. Tag vandtanken ud og frigør tågekammeret ved at dreje sikkerhedslåsen. Løft tågekammeret fra bunden. Løft derefter bakken op af bunden.
3. Tøm vand og mineraler ud af bakken og vask den grundigt, så eventuelt snavs og aflejringer, der har samlet sig i bakken, fjernes.  
BEMÆRK: Det er absolut nødvendigt, at bakken rengøres korrekt. Bakken tåler maskinopvask, hvilket gør den nemmere at rengøre (må kun anbringes i den øverste kurv i opvaskemaskinen).
4. Skyl tanken ren og fyld den med rent, koldt vand.
5. Tør varmeelementet rent med en blød klud, når det har fået lov til at køle af.

ADVARSEL: Hvis tågekammeret ikke tages ud af luftbefugteren, kan det tage op til en time, før varmeelementer er kølet tilstrækkeligt af til at kunne berøres.

Denne befugter opvarmer vandet, så der produceres en ren fugtighed. Nogle af vandets urenheder opsamles i kogekammeret. Varmeelementet med elektronisk termisk kontrol er belagt med Teflon, hvilket letter rengøringen og forlænger luftbefugterens driftseffektivitet. BRUG IKKE metal eller hårde genstande til rengøring af varmeelementet. Belægningen kan blive ridset, hvis den ikke rengøres korrekt.

Brug aldrig rengøringsmidler, benzin, petroleum, glasrensere, møbelpolitur, lakfortynder eller andre almindelige opløsningsmidler til rengøring af nogen af luftbefugterens dele.

#### Kedelstensfjernelse

- Kedelsten skal fjernes, så snart det bliver synligt. Vi anbefaler, at der bruges Bionaire™ Clean Away - rengøringsopløsning til luftbefugtere.
- Påfør opløsningen med en plastbørste på alle kedelstensoverflader. Lad opløsningen sidde indtil kedelstenslaget er blødgjort. Rengør tanken med en opløsning, der består af 2 kapsler rengøringsopløsning til 2 liter vand. Lad blandingen stå i adskillige minutter, idet den rystes rundt flere gange med et par minutters mellemrum. Hæld opløsningen ud og skyl derefter tanken GRUNDIGT.

Hvis ovenstående ikke er tilgængeligt, skal disse instruktioner følges:

1. Gentag trin 1-3 i Vedligeholdelsesafsnittet.
2. Rengør bakken ved at fylde denne delvist med 200 ml ufortyndet husholdningseddike. Hvis der er meget kedelsten på varmeelementet, sættes luftbefugterens netledning i en stikkontakt, hvorefter der tændes (ON) for luftbefugteren i højst 15 sekunder. Efter dette slukkes der for luftbefugteren (OFF), og netledningen tages ud af stikkontakten igen. Lad opløsningen stå i 20 minutter, hvorefter alle indvendige overflader rengøres med en blød børste. Fugt en klud med ufortyndet husholdningseddike og tør hele bakken af, så kedelsten fjernes.
3. Skyl med rent, varmt vand så både kedelsten og eddikeopløsning fjernes, før tanken desinficeres.
4. Tør varmeelementet rent med en blød klud, når det har fået lov til at køle af.

#### Desinficering af tank:

1. Fyld tanken med 1 teskefuld blegemiddel og 3,5 liter vand.
2. Lad blandingen stå i 20 minutter, idet den rystes rundt flere gange med et par minutters mellemrum. Sørg for, at alle overflader bliver våde.
3. Tøm tanken efter 20 minutter og rengør den godt med vand, indtil lugten af blegemiddel er forsvundet. Tør den med papirservietter.
4. Fyld vandtanken med koldt vand og sæt den tilbage på plads. Gentag driftsvejledningen.

#### Opbevaringsinstruktioner

Hvis luftbefugteren ikke skal bruges i to eller flere dage, eller ved afslutningen af brugssæsonen, skal disse instruktioner følges.

1. Rengør og skyl luftbefugteren og tør den

derefter grundigt, som beskrevet i

Kedelstensfjernelse-afsnittet. Der MÅ IKKE være noget vand tilbage i hverken bunden eller bakken.

2. Tag tankdækslet af. Luftbefugteren må ikke opbevares med tankdækslet på plads.
3. Tag filteret ud og smid det væk.
4. Put luftbefugteren i den originale kasse og opbevar den på et tørt og køligt sted.
5. Rengør luftbefugteren før næste sæsons begyndelse.
6. Bestil et reservefilter til næste sæsons start.

#### SERVICEVEJLEDNING

1. Man må IKKE forsøge at reparere eller justere nogen som helst af denne enheds elektriske eller mekaniske funktioner. Hvis man gør, vil garantien ugyldiggøres. Enhedens indre indeholder ingen dele, som brugere kan vedligeholde. Alt servicearbejde må kun udføres af kvalificeret personale.
2. Hvis enheden skulle holde op med at fungere, skal man først kontrollere, at sikringen/hurtigafbryderen på fordelingstavlen fungerer, før fabrikanten eller serviceagenten kontaktes.
3. Hvis det bliver nødvendigt at udskifte enheden, bedes den returneres i den originale kasse samt kvittering til den forretning, hvor den blev købt.
4. Hvis luftbefugteren skulle kræve en service, skal den lokale forhandler kontaktes.

#### TILBEHØR TIL MODEL BWM5075

- WMF-50 Water Purification Filter (vandrensingsfilter)
- Vi anbefaler brugen af et Bionaire™ / hygrometer/ termometer, model nr.: BT400 til aflæsning af indendørstemperatur og luftfugtighedsniveau.
- Bionaire™ Clean Away - Cleaning Solution (rengøringsopløsning)

#### TEKNISKE SPECIFIKATIONER

Indgangsspænding: 220-240 V~ 50 Hz

Strømforsøg: 400 Watt (maks.)

Holmes Group forbeholder sig ret til at ændre eller modificere alle specifikationer uden forudgående varsel.

DETTE PRODUKT ER FREMSTILLET TIL AT OPFYLDE EØF DIREKTIVER 73/23/EØF og 89/336/EØF.

#### GARANTI

SØRG FOR AT GEMME KVITTERINGEN, DA DENNE BEDES FREMLAGT VED KRAV FREMSAT UNDER GARANTIEN.

- Dette produkt er dækket af en 2-årig garanti.
- Hvis der mod forventning skulle opstå fejl i produktet, bedes du tage det tilbage til salgsstedet sammen med din købskvittering og en kopi af denne garanti.
- Dine rettigheder i henhold til denne garanti er et tillæg til dine lovfæstede rettigheder, som ikke påvirkes af garantien.
- Holmes Products Europe vil uden beregning reparere eller udskifte enhver del af produktet, der viser sig at være defekt, inden for den specifikke periode, forudsat at:
  - Vi straks underrettes om defekten.
  - Produktet ikke på nogen måde er blevet udsat for ændringer, forkert brug eller reparation af en person, der ikke er autoriseret af Holmes Products Europe.
- Personer, der erhverver produktet brugt eller til kommerciel eller kollektiv brug, har ingen rettigheder under denne garanti.
- Reparerede eller udskiftede produkter er dækket af garantien på disse betingelser i garantiens resterende tidsrum.

## SVENSKA

Grattis!

Genom att välja en luftfuktare från Bonaire™ har du valt en av de bästa luftfuktare som finns på marknaden idag.

### LÄS OCH SPARA FÖLJANDE INSTRUKTIONER

Innan du läser instruktionerna viker du ut illustrationssidan

Beskrivning (se fig 1/2/3)

- Strömknapp
- Vattentank
- Vattenreningsfilter
- Vattentråg
- Värmekammare
- Säkerhetsspärr
- Tanklock
- Värmeelement
- Nattbelysning

### SÄKERHETSFORESKRIFTER

När elektriska apparater används ska grundläggande säkerhetsåtgärder alltid följas för att reducera risken för brand, elektriska stötar och personskador. Läs därför alla nedanstående instruktioner innan luftfuktaren tas i bruk.

- Läs dess instruktioner innan du tar luftfuktaren i bruk.
- Kontrollera att luftfuktarens krav på driftsspänning överensstämmer med elnätet där den ska användas. Luftfuktaren ska kopplas direkt till ett jordat uttag och kontakten ska vara helt instucken. För att undvika brand och elektriska stötar får inte förlängningssladd användas.
- Lägg inte sladden under mattor eller i närheten av spis och element och undvik trafikerade platser
- Placera inte luftfuktaren i närheten av värmekällor såsom spis och element eller i direkt solljus. Luftfuktaren ska placeras minst 10 cm från väggen och på en stabil, platt och jämn yta.
- VARNING!** Placera inte luftfuktaren så att barn når den och tänk på att aldrig ha luftfuktaren i ett stängt rum där barn sover, vilar eller leker.
- VARNING!** När luftfuktaren ska flyttas, tömmas eller fyllas på ska den stängas av och kopplas bort från eluttaget. Dra i kontakten och inte i sladden. Tänk på att aldrig dra i kontakten med våta händer.
- Vattenången är varm! Ha inte händer, ansikte

- och kropp direkt placerade över eller i närheten av fuktutloppet när luftfuktaren är i drift.
- Använd inte luftfuktaren om sladden eller kontakten är skadad eller om funktionsfel uppstått efter ett fall eller slag. Skicka i sådana fall luftfuktaren till en servicestation för översyn.
- Luftfuktaren är endast avsedd att användas inomhus och enligt denna manual. Annan användning som inte rekommenderats av tillverkaren kan orsaka brand, elektriska stötar eller personskador. Tillbehör som inte rekommenderats av tillverkaren kan orsaka faror.
- Använd inte luftfuktaren utomhus.
- En vattentät matta eller platta kan med fördel läggas under luftfuktaren. Tänk på att aldrig ställa luftfuktaren direkt på ytor som kan ta skada av vatten eller fukt.
- Rikta fuktutloppet bort från väggen då fukten kan orsaka skador på framför allt tapeter.
- När luftfuktaren inte ska användas ska den stängas av och kopplas bort från eluttaget.
- Stäng alltid av luftfuktaren och koppla bort den från eluttaget när den ska flyttas, tömmas eller fyllas på. Vänta i 15 minuter innan vattentanken avlägsnas för att undvika skador. Dra i kontakten och inte i sladden. Tänk på att aldrig dra i kontakten med våta händer.
- Denna luftfuktare kräver regelbundet underhåll för att fungera korrekt. Se avsnittet om rengöring.
- Luftfuktaren får aldrig rengöras med bensin, fotogen, fönsterputs, möbelpolish, thinner eller andra liknande lösningsmedel
- Överdriven fuktillförsel i ett rum kan orsaka kondens på fönster, väggar och möbler. Om detta inträffar ska luftfuktaren stängas av.
- Använd inte luftfuktaren när den relativa fuktighetsnivån överstiger 50%.
- Luftfuktarens insida innehåller inte några delar som kan underhållas av användaren. Garantin slås ut om du själv försöker reparera eller justera några elektriska eller mekaniska funktioner på luftfuktaren.
- Om sladden eller kontakten är skadad måste den bytas ut. Skicka luftfuktaren till en servicestation för översyn.

### SPARA DESSA INSTRUKTIONER

Tänk på att detta är en elektrisk apparat som behöver tillsyn när den är igång.

Bonaire™ luftfuktare med varmimma är

utformad för att låta rätt mängd vatten flöda ut ur tanken. Vattnet passerar genom ett vattenreningsfilter vars uppgift är att ta bort de mineraler och sediment som finns i vattnet. Vattnet förs sedan vidare in i värmekammaren där vattnet värms upp av ett värmeelement med elektroniskt termiskt styrning. Luft dras in genom gallret i värmekammarens botten där den blandas med ånga. Den varma och rena ångan sprids via utloppsgallret i värmekammarens övre del vidare ut i rummet.

**OBS!** En relativ fuktighetsnivå som understiger 30% kan vara ohälsosam då slemhinnor i näsa och svalg kan torka. Dessutom kan obehag såsom statisk elektricitet uppstå. Den rekommenderade relativa fuktighetsnivån är 40-50%.

### Innan användning

- Se till att luftfuktare, sladd och kontakt inte är skadade. Är luftfuktaren skadad ska inköpsstället kontaktas. För att garantin ska gälla ska luftfuktaren transporteras till en serviceverkstad i originalförpackningen.
- Placera luftfuktaren på en plan yta som tål vatten och minst 10 cm från omgivande ytor. Tänk på att framför allt tapeter kan ta skada av den varma ångan.
- Ta bort vattentanken (se fig 1) och vattenreningsfiltret. Se till att eventuellt förpackningsmaterial är borttaget från vattenreningsfiltret och blöt det genom att hålla det under en kran i minst 1 minut så att det blir riktigt genomvått. Sätt sedan tillbaka det i luftfuktarens vattentråg.
- Ta bort värmekammaren för att kontrollera att inga lösa föremål finns i luftfuktarens vattentråg. Värmekammaren lossas genom att föra säkerhetsspärren åt sidan. Sätt tillbaka värmekammaren över värmeelementet och lås fast den med säkerhetsspärren.

### Fylla på vattentanken

Denna luftfuktare rymmer ca 5,9 liter vatten, vattentank och vattentråg sammantagna. Den kan producera upp till 7,6 liter fukt per dygn, beroende på rummets temperatur och fuktighet.

- Se till att luftfuktaren inte är kopplad till eluttaget och att effektvredet är i läge 0 (av).
- Lyft av vattentanken med hjälp av handtaget. Skruva av locket som finns i botten på tanken och fyll på med svalt, friskt vatten. Använd aldrig varmt vatten då det kan orsaka läckage.

- Skruva tillbaka locket ordentligt och sätt tillbaka vattentanken. Vattnet börjar omedelbart att strömma in i vattentråget.
- Anslut luftfuktaren till eluttaget och ställ vredet i läge I (på). Det tar nu ca 2-3 minuter innan luftfuktaren är uppvärmd och börjar avge varm ånga.

### VIKTIGA DRIFTSINSTRUKTIONER (se fig 2)

Första gången ett nytt vattenreningsfilter används i luftfuktaren eller om luftfuktaren inte använts på 48 timmar, bör det blötas igenom ordentligt. Håll filtret under en rinnande kran i minst 1 minut. Sätt tillbaka det genomvåta filtret i luftfuktaren och avvakta i 5 minuter så att vattnet kan rinna igenom. Blöts inte vattenreningsfiltret innan användning kommer det att ta betydligt längre tid för vattnet i tanken att rinna igenom det.

Lyft sedan försiktigt på vattentanken för att kontrollera att vattentråget är fyllt till 2/3 med vatten. Om så inte är fallet, sätter du tillbaka vattentanken och avvaktar i ytterligare 5 minuter eller till dess att rätt vattennivå uppnåtts. Starta inte luftfuktaren förrän vattentråget är fyllt till 2/3 med vatten.

- Vrid strömknappen till läge I. Det kommer nu att ta 2-3 minuter innan luftfuktaren börjar avge en varm ånga.
- En medicinkopp är placerad i toppen av värmekammaren. I den kan man hålla därför avsedd medicin. Tillsätt inte medicin genom medicinkoppen när luftfuktaren är igång. Tillsätt inte medicin direkt i vattentanken.

### Nattbelysning

- Aktivera nattbelysningen genom att föra reglaget till läge ON.
- För att få maximal livslängd på glödlampan ska nattbelysningen stängas av dagtid.

### Återställa luftfuktaren

När vattentanken körts tom och vattnet i värmekammaren börjar ta slut, stängs luftfuktaren av automatiskt och lampan för tom tank börjar lysa.

- Vrid vredet till läget Återställ.
- Koppla bort luftfuktaren från eluttaget.
- Ta bort och fyll på vattentanken enligt avsnittet Dagligt underhåll och sätt sedan tillbaka vattentanken i vattentråget.
- Vänta i 5 minuter medan den automatiska avstängningsfunktionen återställs och anslut sedan luftfuktaren till eluttaget och ställ vredet i läge I (på).
- Efter 2-3 minuter börjar luftfuktaren producera varm ånga.

- 6 Om återställningsindikatorn fortsätter lysa ska luftfuktaren stängas av i ytterligare 5 minuter innan den startas.

OBS! Om luftfuktaren inte ska användas under några dagar ska allt vatten i vattentank och vattentråg tömmas för att förhindra uppkomst av alger och bakterier.

#### Byta vattenrenningsfilter

Vattenrenningsfiltret används för att förhindra uppkomst av mineraler och kalk i vattnet så att ångan som tillförs rummet är ren. Filtrets livslängd beror på hur mycket luftfuktaren är i drift och på vattnets kvalitet. I områden med hårt vatten måste vattenrenningsfiltret bytas ungefär var 2-3:e månad eller när mineraler börjar samlas på värmeelementet.

- 1 Ställ effektvredet i läge 0 (av) och koppla bort luftfuktaren från eluttaget. Ta bort vattentanken, töm vattnet i vattentråget. Lyft bort det använda filtret och släng det.
- 2 Ta bort förpackningsmaterialet från det nya vattenrenningsfiltret och blöt filtret i minst 1 minut under en rinnande kran. Sätt det genomvåta filtret i luftfuktarens vattentråg (se fig 2) och sätt tillbaka vattentanken. Vänta i 5 minuter så att vattnet kan rinna igenom. Koppla sedan luftfuktaren till eluttaget och starta den.

#### Rengöring och underhåll

Det går inte att nog betona hur viktigt det är med regelbunden rengöring för att luftfuktaren ska fungera korrekt och effektivt. Om rengöring och underhåll ignoreras kommer luftfuktaren att sluta fungera.

När luftfuktaren är i bruk ska den rengöras både dagligen och varje vecka. Detta för att förhindra tillväxt av mikroorganismer, alger och bakterier samt motverka att kalk samlas i vattentanken och på värmeelementet.

OBS! Luftfuktaren får aldrig rengöras med bensin, fotogen, fönsterputs, möbelpolish, thinner eller andra liknande lösningsmedel.

#### Dagligt underhåll

- 1 Koppla bort luftfuktaren från eluttaget och ställ effektvredet i läge 0 (av).
- 2 Ta bort vattentanken och värmekammaren som är fastlåst med en säkerhetspärr. Lyft ur vattentråget och töm den om det finns vatten kvar i den.
- 3 Diska ur vattentråget för att få bort sediment och smuts som samlats i den.  
OBS! Det är viktigt att träget blir ordentligt rent.
- 4 Skölj ur vattentanken och fyll den med rent svalt vatten.

- 5 Torka rent värmeelementet som sitter på värmekammarens underdel med en mjuk trasa.

OBS! Vänta tills värmeelementet har svalnat, vilket kan ta upp till 1 timme.

Bionaire™ luftfuktare med varmimma är utformad för att låta rätt mängd vatten flöda ut ur tanken. Vattnet passerar genom ett vattenrenningsfilter och en värmekammare som fångar upp de mineraler och sediment som finns i vattnet. I värmekammaren värms vattnet upp av ett värmeelement med en teflonbeläggning som gör det enkelt att rengöra. Luft dras in genom gallret i värmekammarens botten där den blandas med ånga. Den varma och rena ångan sprids via utloppsgallret i värmekammarens övre del vidare ut i rummet.

Vid rengöring av värmeelementet får inte beläggningen repas, så använd aldrig hårda föremål eller föremål av metall. Använd aldrig bensin, fotogen, fönsterputs, möbelpolish, thinner eller andra liknande lösningsmedel för rengöring.

#### Avkalkning varje vecka

Vid rengöring kan Bionaire™ Clean Away användas. Applicera lösningen på avlagringar på luftfuktarens insida med hjälp av en mjuk plastborste.

Låt stå tills avlagringarna lösts upp och torka rent. För rengöring av vattentanken används en blandning med 2 kapsyler av lösningen och 2 liter vatten. Häll lösningen i vattentanken och skaka om några gånger med 5 minuters mellanrum. Häll ut lösningen och skölj vattentanken noga.

- 1 Upprepa steg 1-3 enligt avsnittet Dagligt underhåll.
- 2 Häll 2 dl utspädd vit ättika i vattentråget och låt lösningen stå i 20 minuter. S
- 3 Skölj vattentråget noga med varmt vatten för att avlägsna kalk och vinägerlösningen. Torka torrt med en mjuk trasa.
- 4 Rengör övriga ytor med en mjuk borste och i värmeelementet med en mjuk trasa. Tänk på att vänta tills det har svalnat.

#### Desinficering av vattentanken

- 1 Fyll vattentanken med en lösning bestående av 1 tesked blekmedel och ca 3,5 liter vatten.
- 2 Låt lösningen stå i 20 minuter. Skvalpa runt det med några minuters mellanrum så att alla ytor blir blöta.
- 3 Töm vattentanken efter 20 minuter och skölj mycket noga med vatten tills lukten av blekmedlet är borta. Torka rent och torrt med

en pappershandduk eller en ren och mjuk trasa.

- 4 Fyll vattentanken med svalt och rent vatten och sätt tillbaks den på luftfuktarens vattentråg.

#### Förvaring

Om luftfuktaren inte ska användas under en period (några dagar eller längre) så ska nedanstående punkter göras för att förhindra uppkomst av alger och bakterier.

- 1 Rengör, skölj och torka ur luftfuktaren noga enligt avsnitten under Rengöring och Underhåll.
- 2 Lämna inte något vatten kvar i luftfuktaren, varken i tank, tråg eller bas.
- 3 Skruva av locket till vattentanken så att luft kan flöda fritt i den.
- 4 Ta bort och kasta vattenrenningsfiltret.
- 5 Lägg luftfuktaren i originalförpackningen och låt den stå på en sval och torr plats.

OBS! Innan luftfuktaren tas i bruk efter en tids förvaring bör den rengöras och nytt vattenrenningsfilter sättas på plats.

När luftfuktaren behöver service Kontakta alltid inköpsstället i första hand om luftfuktaren behöver service då service alltid ska utföras av kvalificerad personal.

- Luftfuktarens insida innehåller inte några delar som kan underhållas av användaren.
- Garantin slås ut om du själv försöker reparera eller justera några elektriska eller mekaniska funktioner på luftfuktaren.
- Om luftfuktaren måste bytas så sänd tillbaks den i originalförpackningen till inköpsstället, tillsammans med inköpsbevis/garantibevis.

#### Tillbehör till modell BWM5075

- WMF-50 vattenrenningsfilter

#### TEKNISKA DATA

Spänning: 220/240V ~ 50 Hz  
Strömförbrukning: max 400 W

Tillverkaren förbehåller sig rätten att ändra eller modifiera specifikationerna utan föregående meddelande.

Denna luftfuktare har testats i enlighet med de standardiserade säkerhetstesterna som krävs i 73/23 EEC-direktivet och 89/336 EEC-direktivet.

#### GARANTI

SPARA DETTA KVITTO DÅ DET BEHÖVS OM DU OM DU BEHÖVER ÅBEROPA GARANTIN.

- Denna produkt har en garantitid på 2 år.
- Om produkten mot förmodan skulle gå sönder, ska den returneras till inköpsstället tillsammans med inköpskvittot och ett exemplar av denna garantisedel.
- Rättigheterna och fördelarna under garantitiden är utöver dina lagstadgade rättigheter, som inte påverkas av denna garanti.
- Holmes Products Europe åtager sig att inom den angivna tidsperioden reparera eller kostnadsfritt byta ut alla delar av produkten som befunnits vara felaktiga under förutsättning att:
  - Vi omedelbart informeras om felet;
  - Produkten inte har ändrats på något sätt eller utsatts för felaktig hantering eller reparation av någon person som inte är auktoriserad av Holmes Products Europe.
- Inga rättigheter ges under denna garanti till en person som införskaffar denna produkt i andra hand eller för kommersiell eller allmä användning.
- Alla reparationer eller utbyta enheter kommer att garanteras enligt dessa villkor för den återstående garantitiden.

## ESPAÑOL

### Felicidades

Por elegir un humidificador Bonaire™. Ha elegido uno de los mejores humidificadores del mercado hoy día

### LEA Y CONSERVE ESTAS IMPORTANTES INSTRUCCIONES

NOTA: Antes de leer estas instrucciones, consulte las ilustraciones correspondientes.

#### Descripciones (Ver fig 1/2/3)

- Botón de encendido
- Depósito de agua
- Filtro de purificación de agua
- Bandeja de agua
- Cámara de Vapor
- Cerrojo de seguridad
- Tapa del depósito
- Elemento de calentamiento
- Luz de noche

#### PRECAUCIONES DE SEGURIDAD

Cuando use aparatos eléctricos, siempre debe seguir las precauciones básicas de seguridad para evitar el riesgo de incendio, descarga eléctrica o lesión personal, incluido lo siguiente:

- Lea todas las instrucciones antes de usar el aparato
- Para evitar el peligro de incendio o descarga, enchufe el aparato directa y totalmente en un enchufe eléctrico.
- Mantenga el cable alejado de las áreas de mucho tráfico. Para evitar el peligro de incendio, no ponga NUNCA el cable bajo alfombras, o cerca de radiadores, cocinas o calentadores
- NO ponga el humidificador cerca de fuentes de calor, como cocinas, radiadores y calentadores. Sitúe el humidificador en una pared interna cerca de un enchufe eléctrico. Para mejores resultados, el humidificador deberá estar al menos 10cms alejado de la pared.
- ADVERTENCIA: Este humidificador produce vapor caliente y por lo tanto no se deberá colocar en un área accesible para los niños. No use nunca un humidificador en una habitación cerrada, (con puertas y ventanas cerradas) ya que se puede acumular exceso de humedad.
- ADVERTENCIA: No trate de rellenar el humidificador sin desenchufar primero el aparato del enchufe eléctrico. Recuerde tirar de la clavija y no del cable.

- NUNCA deje caer ni introduzca ningún objeto en las aperturas. NO ponga las manos, cara o cuerpo directamente sobre o cerca de la Salida de Humedad mientras el aparato está en operación. NO cubra la Salida de Humedad ni coloque nada encima mientras el aparato está en operación.
- NO use ningún aparato con el cable o enchufe dañado, si no funciona bien o si se ha caído o dañado de alguna manera. Devuelva el aparato al fabricante para su revisión, ajuste eléctrico, mecánico o reparación
- Use el aparato sólo para el uso doméstico concebido según está descrito en este manual. Cualquier otro uso no recomendado por el fabricante puede causar incendio, descarga eléctrica o lesión personal. El uso de accesorios no recomendados ni vendidos por el Grupo Holmes puede ser peligroso.
- NO lo use en el exterior
- Coloque siempre el humidificador sobre una superficie firme, lisa y nivelada. Se recomienda poner una almohadilla debajo del humidificador. No lo ponga NUNCA sobre una superficie que se pueda dañar por la exposición al agua y humedad (suelo pulido)
- NO dirija la Salida de Humedad directamente hacia la pared. La humedad puede dañar, en particular al papel de pared
- El humidificador se deberá desenchufar cuando no se use
- No trate de volcar, mover o vaciar NUNCA el aparato mientras esté funcionando. Ciérrelo y desenchufe antes de retirar el depósito de agua y mover el aparato. NO trate de retirar el depósito del agua hasta pasados 15 minutos de desenchufar el humidificador. Puede sufrir graves lesiones.
- Este humidificador necesita mantenimiento regular para funcionar correctamente. Consulte los procedimientos de limpieza y mantenimiento.
- NUNCA use detergentes, gasolina, limpia cristales, limpia muebles, disolvente de pintura o cualquier otro disolvente doméstico para limpiar cualquier parte del humidificador
- El exceso de humedad en una habitación puede causar condensación de agua en las ventanas y en algunos muebles. Si esto sucede, APAGUE el humidificador.
- No use el humidificador en un área donde el nivel de humedad supere el 55%.
- NO trate de reparar ni ajustar ninguna función eléctrica o mecánica de este aparato. El interior del aparato no contiene

piezas que pueda cambiar el usuario. Las revisiones sólo las deberá realizar el personal capacitado

20. Si se estropea el cable, lo deberá reparar el fabricante, su agente de servicio o persona con capacidad similar.

#### GUARDE ESTAS INSTRUCCIONES

Recuerde que esto es un aparato eléctrico y necesita atención cuando se use. Como funciona el Humidificador de Vapor Caliente.

El Humidificador de Vapor Caliente Bonaire™ está concebido para que salga la cantidad correcta de agua del depósito por el filtro de purificación de agua. El filtro retiene la mayoría de minerales y sedimentos del agua antes de que ésta pase por la cámara de calentamiento, donde el elemento de calentamiento del Control Térmico Electrónico calienta el agua. El aire entre por las aperturas de la rejilla situada en la parte trasera del aparato y se mezcla con el vapor en la cámara de vapor. El vapor caliente sale por la parte superior de la cámara de vapor a la habitación.

NOTA: Un nivel de humedad menor del 30% puede ser dañino e incómodo. El nivel de humedad recomendado es entre 45%-55%.

#### INSTRUCCIONES PRE OPERACIÓN

- Asegúrese que el humidificador está desconectado de la acometida eléctrica y el botón de encendido está en la posición 0 - off.
- Seleccione un lugar para el humidificador, en una superficie lisa, a unos 10cms de la pared. No coloque el humidificador sobre ningún mueble. Lo mejor es un lugar en el suelo que no se estropee por la humedad.
- Retire el depósito del agua (ver Figura 1). Retire el Filtro de Purificación de Agua, y póngalo bajo agua corriente y fría durante al menos 1 minuto para que se humedezca bien. Entonces cambie la bandeja de agua.
- Compruebe que la bandeja de agua no tiene ningún objeto extraño quitando la Cámara de Vapor. Para quitarla debe mover el Cerrojo de Seguridad (F) que sujeta ambas partes. (Reponga la Cámara de Vapor sobre el elemento de calentamiento y compruebe que el Cerrojo de Seguridad están en la posición "Lock").

#### Llenado del Depósito de Agua

NOTA: Este humidificador contiene 5,5 litros de agua en el depósito y base del humidificador. El humidificador producirá hasta 11,5 litros de

humedad durante un período de 24 horas.

- Compruebe que el humidificador está desenchufado y el botón de encendido en la posición 0 - off. Retire el depósito de agua.
- Desenrosque la tapa situada en el fondo del depósito girando a la izquierda, y llene el depósito con agua limpia y fría. No llene con agua templada ya que esto podría ocasionar goteras.
- Una vez lleno el depósito, reponga la tapa girando firmemente a la derecha y reponga el depósito de agua en la base. El depósito comenzará inmediatamente a vaciar en la base.
- Enchufe en una acometida eléctrica conveniente y adecuada.

#### INSTRUCCIONES DE OPERACION (Ver Fig 2) IMPORTANTE

Cuando use el filtro de purificación de agua en el humidificador por primera vez, o después de un período de no usar (unas 48 horas), humedezca el filtro bajo agua fría corriente durante 1 minuto. Reponga el filtro en el aparato y espere 5 minutos para que pase el agua.

Después, levante con cuidado el depósito de agua y compruebe que la bandeja (D) está llena de agua 2/3. En caso contrario, reponga el depósito de agua y espere otros 5 minutos hasta que el agua llegue al nivel deseado. NO encienda el humidificador hasta que la bandeja de agua esté llena 2/3.

- Gire el botón de encendido a la posición I. Es normal que el humidificador tarde unos 2-3 minutos en calentarse y comenzar a producir vapor.
- La Medida de Medicina está situada encima de la cámara de vapor. Para usarla, ponga el medicamento necesario en el humidificador por la ranura.

NO añada medicamento al depósito de agua NO añada medicamento a la medida de medicina cuando el aparato ya esté en operación.

#### Luz de Noche

- Para activar la luz de noche, mueva el botón a la posición "on".
- Para alargar la duración de la bombilla, apague la luz de noche durante el día

#### PROCEDIMIENTO DE RECONEXIÓN

NOTA: Cuando el depósito del agua está vacío y el agua en la Cámara de Calentamiento casi vacía, se ilumina la luz de rellenado (roja) y se activa el Cierre Automático. El aparato no

funcionará de nuevo hasta que se rellene el depósito de agua y se restablezca el humidificador.

1. Gire el botón de encendido a la izquierda a RESET.
2. Desenchufe el aparato.
3. Retire y rellene el depósito de agua. Reponga el depósito en la base.
4. Espere 5 minutos para que se restablezca el Cierre Automático.
5. Transcurridos los 5 minutos, enchufe el aparato y ponga el Botón de Encendido en I. En unos 2-3 minutos, el humidificador comenzará a producir vapor.
6. Si la luz de rellenado continua encendida, desenchufe el humidificador y espere otros 5 minutos.

#### IMPORTANTE:

Si no va a usar el humidificador durante dos días o más, vacíe cualquier agua residual del depósito de agua y la base para evitar que se forme alga o bacterias.

**Recambio del Filtro de Purificación de Agua**  
El filtro de purificación de agua se usa para retener minerales en el agua y producir una salida de vapor limpia. La duración del filtro está determinada por el uso diario promedio de su humidificador y la dureza del agua en su área. Las áreas con agua dura necesitarán cambiar el filtro con más frecuencia.

Recomendamos en gran manera que se cambie el filtro al menos cada 2-3 meses (según el uso) o cuando se comiencen a acumular minerales en el elemento de calentamiento.

Para cambiar el filtro:

1. Ponga el humidificador en 0 - off y enchufe. Retire el depósito, vacíe cualquier agua de la base, retire el filtro usado y tírelo.
2. Retire la bolsa protectora del nuevo filtro y póngalo bajo el agua corriente y fría durante 1 minuto. Coloque el filtro mojado en la base (ver Figura 2), reponga el depósito y espere al menos 5 minutos para que el agua pase antes de poner el aparato en ON (I).

**Instrucciones de Limpieza y Mantenimiento**  
Para asegurar una operación adecuada y eficaz del humidificador se deben realizar los siguientes procesos de mantenimiento regularmente. El aparato NO FUNCIONARA si no se limpia correctamente. La limpieza regular evita la acumulación de calcio en el elemento de calentamiento y en la bandeja. También evita que se produzcan microorganismos en la

bandeja y en el depósito. De esta forma se asegura la máxima eficacia. Hacemos mucho hincapié en la importancia de la limpieza correcta para el mantenimiento y uso continuado del aparato y para evitar la acumulación de algas y bacterias.

#### Mantenimiento Regular

La frecuencia de mantenimiento dependerá del uso diario promedio de su humidificador y la dureza del agua de su área. Recomendamos que realice este procedimiento semanalmente o con más frecuencia en caso necesario.

1. Antes de limpiar, ponga el control en la posición 0 - off y desenchufe el aparato de la electricidad.
2. Retire el depósito de agua y desensrosque la cámara de vapor girando el cerrojo de seguridad. Quite la cámara de vapor de la base del aparato. Ahora levante la bandeja de la base.
3. Vacíe el agua y los minerales de la bandeja y lave a fondo para eliminar cualquier sedimento y suciedad que se haya acumulado en la bandeja.  
NOTA: Es importante que la bandeja se limpie correctamente (En la parte alta del lavaplatos solamente).
4. Aclare el depósito y rellene con agua fría y limpia.
5. Limpie el elemento de calentamiento con un paño suave una vez que se haya enfriado.

**ADVERENCIA:** Si la cámara de vapor se deja instalada en el humidificador, podría tardar una hora en enfriarse el elemento de calentamiento para poder tocarlo. Este humidificador calienta el agua produciendo un vapor limpio. Algunas de las impurezas del agua se recogen en la Cámara de Calentamiento. El Elemento de Calentamiento de Control Término Electrónico esta forrado con Teflón, concebido para facilitar la limpieza y prolongar la eficacia de operación del humidificador.

NO use ningún metal ni objeto duro para limpiar el Elemento de Calentamiento. El forro se puede arañar si no se limpia correctamente. No use nunca detergentes, gasolina, keroseno, limpia cristales, limpia muebles, disolvente de pintura ni cualquier otro disolvente doméstico para limpiar cualquier parte del humidificador.

#### Mantenimiento de Descalcificación

- La cal se debe limpiar cuando se vea. Recomendamos usar la solución Clean Away de Bonaire™ para limpiar el Humidificador.
- Aplique la solución con un cepillo de plástico

en las superficies con cal. Deje humedecer hasta que se ablande el residuo. Para limpiar el depósito, mezcle 2 cápsulas de solución con 2 litros de agua. Deje reposar la mezcla durante unos minutos, removiendo de vez en cuando. Vacíe la solución y ACLARE A FONDO el depósito.

Si no puede obtener este limpiador siga estas instrucciones:

1. Repita los pasos 1-3 en la sección de mantenimiento.
2. Limpie la bandeja llenándola parcialmente con 200ml de vinagre blanco si diluir. Si el elemento tiene mucha cal, enchufe el humidificador y conéctelo durante no más de 15 segundos. Al cabo de este tiempo conecte el humidificador y desenchufe de la electricidad. Deje reposar la solución 20 minutos, limpiando todas las superficies interiores con un cepillo suave. Moje un paño con vinagre blanco sin diluir y limpie toda la bandeja para retirar la cal.
3. Aclare con agua tibia y limpia para eliminar la cal y la solución de vinagre antes de comenzar a desinfectar el depósito. 4. Limpie el elemento de calentamiento con un paño suave una vez que se haya enfriado.

#### Desinfección del depósito:

1. Llene el depósito con 1 cucharada de lejía y 3,5 litros de agua.
2. Deje reposar la solución durante 20 minutos, removiendo de vez en cuando. Moje todas las superficies.
3. Vacíe el depósito cada 20 minutos, y aclare bien con agua hasta que desaparezca el olor a lejía. Seque con papel de cocina.
4. Rellene el depósito de agua con agua fría; reponga el depósito de agua y repita las Instrucciones de Operación.

#### Instrucciones de Almacenaje

Si no se va a usar el humidificador durante dos días o más, o al final de la temporada, siga estas instrucciones.

1. Limpie, aclare y seque a fondo el humidificador como se indica en la sección de Mantenimiento de Descalcificación. NO deje nada de agua dentro de la base ni de la bandeja.
2. Retire la tapa del depósito. No lo guarde con la tapa del depósito puesta.
3. Retire y tire el filtro
4. Coloque el humidificador en la caja original y guárdelo en un lugar seco y frío.
5. Limpie el humidificador antes de comenzar la

próxima temporada.

6. Compre un nuevo filtro de recambio antes de comenzar la próxima temporada.

#### INSTRUCCIONES DE SERVICIO

1. NO trate de reparar ni ajustar ninguna de las funciones eléctricas o mecánicas de este aparato. Si lo hace invalidará la garantía. El interior del aparato no contiene ninguna pieza que pueda cambiar el usuario. Sólo el personal capacitado deberá realizar el servicio.
2. Si el aparato deja de funcionar, revise primero la clavija (sólo GB) o que el fusible/circuito funciona en el cuadro de distribución, antes de ponerse en contacto con el fabricante o agente de servicio.
3. Si necesita cambiar el aparato, envíelo en su caja original, con el recibo de compra, al establecimiento donde lo compró.
4. Si necesita revisar el humidificador, póngase en contacto con el distribuidor.

#### ACCESORIOS PARA EL MODELO BWM5075

- Filtro de Purificación de Agua WMF-50
- Recomendamos el uso de un Higrómetro/Termómetro Bonaire™ modelo NO: BT400, para leer la temperatura interna y nivel de humedad de la habitación.
- Solución de Limpieza Bonaire™ Clean Away.

#### ESPECIFICACIONES TECNICAS

Voltaje de acometida: 220-240 V~ 50 Hz  
Consumo: 400 Vatios (máximo)

El Grupo Holmes se reserva el derecho a cambiar o modificar cualquier especificación sin previo aviso.

ESTE ARTICULO ESTA FABRICADO PARA CUMPLIR CON LAS DIRECTIVAS DE LA U.E. 73/23/EEC y 89/336/EEC.

## GARANTIA

GUARDE ESTE RECIBO YA QUE LO NECESITARA PARA CUALQUIER RECLAMACION DENTRO DE ESTA GARANTIA.

- Este producto está garantizado durante 2 años.
- En caso improbable de avería, le rogamos que lo lleve al comercio donde lo adquirió, con su recibo de compra y una copia de esta garantía.
- Los derechos y ventajas de esta garantía son adicionales a sus derechos estatutarios, que no se verán afectados por esta garantía.
- Holmes Products Europe se compromete dentro del período específico, a reparar o cambiar, sin coste alguno, cualquier pieza del aparato que se encuentre defectuosa, siempre que:
  - Se nos informe inmediatamente del defecto
  - No se ha cambiado el aparato de ninguna forma ni se ha sometido a uso indebido o reparación por cualquier otra persona no autorizada por Holmes Products Europe.
- No se ofrece ningún derecho a la persona que adquiera este aparato de segunda mano o para uso comercial o común.
- Cualquier aparato reparado o cambiado estará garantizado bajo los mismos términos durante el resto del período de garantía.

## ITALIANO

Congratulazioni

Con l'acquisto di un umidificatore Bionaire™, avete scelto uno dei migliori umidificatori disponibili oggi sul mercato

SI PREGA DI LEGGERE E CONSERVARE QUESTE ISTRUZIONI IMPORTANTI.

NB: Prima di leggere queste istruzioni, si prega di prendere visione delle illustrazioni corrispondenti.

Descrizioni (Vedi fig. 1/2/3)

- Manopola di accensione
- Serbatoio dell'acqua
- Filtro di purificazione dell'acqua
- Vassoio dell'acqua
- Camera di condensa
- Blocco di sicurezza
- Coperchio del serbatoio
- Elemento di riscaldamento
- Luce notturna

## NOTE DI SICUREZZA

Nel fare uso di apparecchiature elettriche, è importante seguire sempre precauzioni di sicurezza basilari al fine di ridurre il rischio di incendi, scosse elettriche e infortuni. Tali precauzioni dovrebbero includere le seguenti:

1. Leggere completamente le istruzioni prima di fare uso dell'apparecchio
2. Per evitare il rischio di incendi o scosse elettriche, inserire la spina dell'apparecchio completamente e direttamente in una presa di corrente al muro.
3. Tenere il cavo lontano da zone di passaggio elevato. Per evitare il rischio di incendi, non far passare MAI il cavo sotto a tappeti, o in prossimità di termosifoni, stufe o apparecchi di riscaldamento.
4. NON posizionare mai l'umidificatore vicino a fonti di calore come stufe, termosifoni o apparecchi di riscaldamento. Posizionare l'umidificatore presso un muro interno vicino ad una presa di corrente. L'umidificatore dovrebbe trovarsi ad almeno 10 cm dal muro per ottenere i migliori risultati.
5. AVVERTENZA: Questo umidificatore produce vapore molto caldo e, di conseguenza, non deve essere posizionato alla portata dei bambini. Non usare mai l'umidificatore in una stanza chiusa. (p.es.: con porte e finestre chiuse) poiché ciò potrebbe portare ad un livello di umidità eccessivo
6. AVVERTENZA: Non riempire l'umidificatore

senza aver prima sfilato la spina dalla presa di corrente. Tirare afferrando la spina e non il cavo.

7. Non lasciare MAI cadere o inserire oggetti in alcuna apertura. NON posizionare mani, viso o corpo direttamente a contatto o in prossimità dell'uscita di umidità mentre l'unità è in funzione. NON coprire o porre alcun oggetto sopra l'uscita di umidità mentre l'unità è in funzione.
8. NON fare uso di apparecchi che abbiano il cavo o la presa danneggiati, che abbiano presentato un malfunzionamento o che siano stati fatti cadere o danneggiati in alcun modo. Rinviare l'apparecchio alla casa produttrice per un controllo, una regolazione elettrica o meccanica, o una riparazione
9. Usare l'apparecchio per il solo uso domestico previsto, così come è descritto in questo manuale. Qualunque altro uso non raccomandato dalla casa produttrice può essere causa di incendi, scossa elettrica o infortunio. L'uso di accessori non raccomandati o venduti dal Gruppo Holmes può comportare rischi.
10. NON usare all'esterno
11. Posizionare sempre l'umidificatore su una superficie solida, liscia e piana. Si consiglia l'uso di un tappetino impermeabile da posizionare sotto l'umidificatore. Non posizionare MAI su una superficie soggetta a danneggiamento da esposizione a acqua o umidità (p.es. pavimenti lucidati)
12. NON permettere che l'uscita di umidità sia rivolta direttamente verso il muro. L'umidità può causare danni, specialmente alla carta da parati
13. L'umidificatore deve essere tenuto con la spina sfilata quando non è in uso.
14. Non cercare MAI di inclinare, muovere, svuotare l'unità mentre è in funzione. Spegnerne e sfilare la spina prima di rimuovere il serbatoio dell'acqua e muovere l'unità. Dopo avere spento e sfilato la spina dell'umidificatore, attendere 15 minuti prima di rimuovere il serbatoio dell'acqua. Seri infortuni possono verificarsi per il mancato rispetto di questa procedura.
15. Per funzionare correttamente, questo umidificatore necessita di regolare manutenzione. Fare riferimento alle procedure di pulizia e manutenzione.
16. Non usare MAI detergenti come petrolio, liquidi per la pulizia di vetri, lucido per mobili, solventi per vernici o altri tipi di solventi domestici per la pulizia di alcuna parte dell'umidificatore.
17. Un livello di umidità eccessivo all'interno di in

una stanza può generare condensa sulle finestre e su alcuni mobili. Nel caso ciò si verifichi, SPEGNERE l'umidificatore.

18. Non usare l'umidificatore in un'area in cui il livello di umidità supera il 55%.
19. NON cercare di aggiustare o regolare alcuna funzione meccanica di questa unità. L'interno dell'unità non contiene componenti necessitanti un intervento da parte dell'utilizzatore. Qualsiasi operazione di manutenzione deve essere eseguita esclusivamente da personale qualificato.
20. Se il cavo di alimentazione è danneggiato, deve essere sostituito dalla casa produttrice, da un tecnico autorizzato o da una persona con una simile qualifica.

## SI PREGA DI CONSERVARE QUESTE ISTRUZIONI

Si prega di notare che questo è un apparecchio elettrico ed è necessario fare attenzione quando lo si impiega. Funzionamento del termoumidificatore  
Il vostro termoumidificatore Bionaire™ è stato progettato per permettere alla giusta quantità d'acqua di defluire fuori del serbatoio e attraverso il filtro di purificazione. Il filtro rimuove dall'acqua la maggior parte dei minerali e dei depositi prima che essa entri all'interno della camera di riscaldamento dove l'elemento di riscaldamento del termocontrollo elettronico provvede a riscaldare l'acqua. L'aria è aspirata attraverso la griglia sul retro dell'unità e mescolata al vapore nella camera di condensa. La condensa calda è quindi dispersa all'interno del vostro ambiente attraverso la griglia di uscita sulla parte superiore della camera di condensa.  
NB: Un livello di umidità inferiore al 30% può essere nocivo e sgradevole. Il livello di umidità consigliato è compreso fra il 45% e il 55%.

## PRIMA DELL'IMPIEGO

1. Accertarsi che l'umidificatore sia scollegato dalla presa di corrente e che la manopola di accensione sia nella posizione 0 - off.
2. Scegliere una posizione per l'umidificatore, su una superficie piana, a circa 10 cm dal muro. Non poggiare l'umidificatore su mobili. L'ideale è una posizione su un pavimento che non rischi di essere danneggiato dall'umidità.
3. Togliere il serbatoio (vedi figura 1). Togliere il filtro di purificazione dell'acqua e tenerlo sotto l'acqua corrente per circa un minuto per accertarsi che sia completamente bagnato. Riporlo quindi nel vassoio dell'acqua.
4. Accertarsi che il vassoio dell'acqua sia libero

da oggetti estranei rimuovendo la camera di condensa. Per fare ciò, è necessario muovere il blocco di sicurezza (F) che mantiene i due componenti in posizione. (Riporre la camera di condensa sull'elemento di riscaldamento e accertarsi che la manopola del blocco di sicurezza sia nella posizione "Lock").

Riempire il serbatoio dell'acqua

NB: Questo umidificatore può contenere circa 5,5 litri d'acqua all'interno del serbatoio e della base dell'umidificatore. L'umidificatore produrrà fino a 11,5 litri di umidità su un periodo di 24 ore.

1. Accertarsi che l'umidificatore sia scollegato dalla presa elettrica e che la manopola di accensione sia nella posizione 0 - off. Rimuovere il serbatoio.
2. Togliere il coperchio situato sulla base del serbatoio svitando in senso antiorario e riempire il serbatoio con acqua fresca corrente. Non riempire di acqua calda poiché ciò potrebbe provocare delle perdite.
3. Dopo aver riempito il serbatoio, riapplicare il coperchio avvitando con forza in senso orario e riporre quindi il serbatoio sulla base. Il serbatoio inizierà immediatamente a svuotarsi all'interno della base.
4. Infilare la spina in una presa di corrente vicina e idonea.

ISTRUZIONI DI FUNZIONAMENTO (Vedi fig. 2)

**IMPORTANTE**

Il filtro di purificazione dell'acqua, se usato per la prima volta con l'umidificatore o dopo un periodo di riposo (ovvero 48 ore), va bagnato tenendolo per un minuto sotto l'acqua corrente. Riposizionare il filtro e aspettare 5 minuti perché l'acqua possa passare. Quindi, sollevare attentamente il serbatoio e controllare che il vassoio (D) sia pieno a 2/3 di acqua. In caso contrario, riporre il serbatoio dell'acqua e attendere ancora 5 minuti finché l'acqua non abbia raggiunto il livello desiderato. **NON** accendere l'umidificatore finché il vassoio dell'acqua non sia pieno a 2/3.

1. Portare la manopola di accensione nella posizione I. È normale che l'umidificatore impieghi circa 2-3 minuti per riscaldarsi e cominciare a produrre condensa.
2. Il bicchiere per il medicinale è posizionato sopra la camera di condensa. Per utilizzarlo, versare l'apposito medicinale per l'umidificatore nella scanalatura.

**NON** versare il medicinale nel serbatoio dell'acqua  
**NON** versare il medicinale nel bicchiere quando l'unità è in funzione.

Luce notturna

1. Per attivare la luce notturna, portare la manopola nella posizione ON
2. Per prolungare la durata di vita della luce notturna, tenerla spenta durante il giorno

**PROCEDURA DI RIPRISTINO**

NB: Quando il serbatoio dell'acqua è vuoto e l'acqua nella camera di riscaldamento è quasi esaurita, la luce di riempimento (rossa) si illuminerà e la funzione di spegnimento automatico sarà attivata. L'unità non funzionerà finché il serbatoio non sarà stato riempito e l'umidificatore non sarà stato ripristinato.

1. Girare la manopola in senso antiorario fino alla posizione RESET.
2. Sfilare la spina.
3. Rimuovere e riempire il serbatoio. Riporre il serbatoio sulla base.
4. Attendere 5 minuti per il ripristino dello spegnimento automatico.
5. Dopo 5 minuti, infilare nuovamente la spina e portare la manopola sulla posizione I. In circa 2-3 minuti, l'umidificatore comincerà a produrre umidità.
6. Se la luce di riempimento rimane accesa, sfilare la spina e attendere altri 5 minuti.

**IMPORTANTE:**

Se non desiderate usare l'umidificatore per 2 o 3 giorni, accertatevi che tutta l'acqua residua sia lasciata defluire dal serbatoio e dalla base per impedire la formazione di alghe o batteri.

Riposizionamento del filtro di purificazione dell'acqua Il filtro di purificazione dell'acqua è usato per trattenere i minerali contenuti nell'acqua e permettere una produzione di umidità pulita. La durata di vita del filtro è determinata dall'uso medio che si fa dell'umidificatore e la durezza dell'acqua nella vostra regione. Le regioni con un'acqua più dura necessiteranno di una sostituzione più frequente del filtro. Si consiglia di cambiare il filtro almeno ogni 2-3 mesi (a seconda dell'uso) o quando l'elemento di riscaldamento comincia a raccogliere minerali su di sé.

Per sostituire il filtro:

1. Portare l'umidificatore nella posizione 0 - off e sfilare la spina. Togliere il serbatoio, lasciare defluire l'acqua nella base, estrarre il filtro usato e buttarlo via.
2. Togliere il nuovo filtro dall'involucro di protezione e bagnarlo tenendolo per un minuto sotto l'acqua corrente. Posizionare nella base il filtro bagnato (vedi figura 2) e riporre il serbatoio attendendo almeno 5 minuti perché l'acqua fluisca prima di

accendere l'unità portando la manopola sulla posizione ON (I).

Istruzioni di pulizia e manutenzione

Le seguenti procedure di manutenzione devono essere seguite regolarmente per assicurare un funzionamento corretto ed efficace del vostro umidificatore. L'unità risulterà DANNEGGIATA se non viene pulita correttamente. Una pulizia regolare previene la formazione di calcare sull'elemento di riscaldamento e sul vassoio. Essa previene inoltre la formazione di microrganismi sul vassoio e nel serbatoio. Ciò assicura la massima efficienza d'uso. Una pulizia corretta è fondamentale per il mantenimento e l'uso continuato della vostra unità e per prevenire la formazione di alghe e batteri.

**Manutenzione regolare**

La frequenza della manutenzione dipenderà dall'uso medio giornaliero che si farà dell'umidificatore e la durezza dell'acqua nella vostra regione. Si raccomanda di seguire questa procedura settimanalmente o più frequentemente, se necessario.

1. Prima della pulizia, portare il controllo nella posizione 0 - off e sfilare la spina dalla presa di corrente.
2. Rimuovere il serbatoio dell'acqua e sbloccare quindi la camera di condensa ruotando il blocco di sicurezza. Togliere la camera di condensa dalla base dell'unità. Sollevare quindi il vassoio dalla base.
3. Svuotare acqua e minerali dal vassoio e lavarlo bene per rimuovere qualsiasi deposito e impurità che possano essersi accumulati.  
NB: È fondamentale pulire correttamente il vassoio. Per maggiore facilità di pulizia, il vassoio è lavabile in lavastoviglie (solo nel ripiano superiore della lavastoviglie).
4. Sciacquare il serbatoio e riempirlo con acqua fresca corrente.
5. Pulire l'elemento di riscaldamento con un panno soffice dopo averlo lasciato raffreddare.

**AVVERTENZA:** Se la camera di condensa è lasciata in assemblaggio con l'umidificatore, l'elemento di riscaldamento potrebbe impiegare fino ad un ora per raffreddarsi sufficientemente per poter essere toccato. Questo umidificatore riscalda l'acqua producendo un'umidità pulita. Alcune delle impurità dell'acqua sono raccolte nella camera di riscaldamento. L'elemento di riscaldamento del termostato elettronico è rivestito in Teflon per una maggiore facilità di

pulizia e una prolungata efficienza dell'umidificatore. **NON** usare metalli o oggetti rigidi per pulire l'elemento di riscaldamento. Il rivestimento può essere graffiato se pulito non correttamente. Non usare mai detergenti, benzina, kerosene, prodotti di pulizia per il vetro, lucido per mobili, solvente per vernici o altri solventi domestici per pulire qualsiasi parte dell'umidificatore.

**Manutenzione anticalcare**

- Il calcare deve essere rimosso quando la sua presenza comincia a notarsi. Raccomandiamo l'uso della soluzione di pulizia per umidificatori Bonaire™ Clean Away.
- Applicare la soluzione sulla superficie calcarea usando una spazzola di plastica. Lasciare assorbire finché il residuo non sia ammorbidito. Per la pulizia del serbatoio, unire due capsule della soluzione e due litri d'acqua. Lasciare riposare il composto per svariati minuti, scuotendo di tanto in tanto. Svuotare il serbatoio e SCIACQUARLO BENE.

Se il prodotto non è disponibile, seguire queste istruzioni:

1. Ripetere le operazioni ai punti 1-3 nella sezione sulla manutenzione.
2. Pulire il vassoio riempiendolo parzialmente con 200 ml di aceto bianco non diluito. Se l'elemento è coperto di molto calcare, infilare la spina in una presa di corrente e accenderlo per non più di 15 secondi. Dopo questo periodo spegnere l'umidificatore e sfilare la spina. Lasciare riposare la soluzione per 20 minuti, pulendo tutte le superfici interne con una spazzola morbida. Inumidire un panno con aceto bianco non diluito e pulire l'intero vassoio per rimuovere il calcare.
3. Sciacquare con acqua calda e pulita e rimuovere il calcare e la soluzione di aceto bianco prima di cominciare a disinfettare il serbatoio.
4. Pulire l'elemento di riscaldamento con un panno morbido dopo averlo lasciato raffreddare.

**Disinfettare il serbatoio:**

1. Riempire il serbatoio con un cucchiaino di candeggina e 3,5 litri di acqua.
2. Lasciare riposare la soluzione per 20 minuti, scuotendo di tanto in tanto. Bagnare tutte le superfici.
3. Svuotare il serbatoio dopo 20 minuti e



sciacquare bene con acqua fino a che l'odore della candeggina non sia svanito. Asciugare con un pannocarta.

4. Riempire nuovamente il serbatoio di acqua fresca e rimetterlo in posizione. Ripetere i passi elencati nelle istruzioni di funzionamento.

#### Istruzioni di conservazione

Se non pensate di utilizzare il vostro umidificatore per due o più giorni, o alla fine della stagione, seguire queste istruzioni.

1. Pulire, sciacquare e asciugare bene l'umidificatore come descritto nella sezione per la manutenzione anticalcare. NON lasciare acqua all'interno della base o del vassoio.
2. Rimuovere il coperchio del serbatoio. Non mettere via con il coperchio applicato.
3. Rimuovere e buttare via il filtro
4. Riporre l'umidificatore nella sua scatola e conservare in luogo fresco e asciutto.
5. Pulire l'umidificatore prima dell'inizio della stagione successiva.
6. Ordinare un filtro di ricambio per l'inizio della stagione successiva.

#### ISTRUZIONI PER L'ASSISTENZA

1. NON cercare di riparare o regolare nessuna delle funzioni elettriche o meccaniche di questa unità. In caso contrario, la garanzia risulterà invalidata. L'interno dell'unità non contiene componenti necessitanti un intervento da parte dell'utilizzatore. Qualsiasi operazione di manutenzione deve essere eseguita esclusivamente da personale qualificato.
2. Se l'unità dovesse smettere di funzionare, controllare prima di tutto il fusibile nella spina (solo per la Gran Bretagna) o il fusibile/interruttore di circuito sulla piastra di distribuzione per accertarsi che siano funzionanti, prima di contattare la casa produttrice o un tecnico autorizzato.
3. Se si desidera far sostituire l'unità, si prega di riportarla nell'imballaggio originale, accompagnata dalla ricevuta d'acquisto, al negozio presso cui la si è acquistata.
4. Se l'umidificatore necessita di assistenza, si prega di contattare il proprio rivenditore di zona.

#### ACCESSORI PER IL MODELLO BWM5075

- Filtro di purificazione dell'acqua WMF-50
- Raccomandiamo l'uso di un igrometro/termometro/ Bionaire™, modello N: BT400, per il rilevamento della temperatura e del

livello di umidità nel vostro ambiente.

- Soluzione di pulizia Bionaire™ Clean Away

#### SPECIFICHE TECNICHE

Tensione in entrata: 220-240 V~ 50 Hz  
Consumo di energia: 400 Watt (max)

Il Gruppo Holmes si riserva il diritto di cambiare o modificare qualsiasi specifica senza preavviso.

QUESTO PRODOTTO E' FABBRICATO CONFORMEMENTE ALLE DIRETTIVE CEE 73/23/EEC E 89/336/EEC.

#### GARANZIA

SI PREGA DI CONSERVARE LA RICEVUTA D'ACQUISTO POICHÉ ESSA SARÀ NECESSARIA PER QUALSIASI RICHIESTA PRESENTATA IN BASE AI TERMINI DI QUESTO CERTIFICATO DI GARANZIA.

- Questo prodotto è garantito per un periodo di 2 anni.
- Nell'improbabile eventualità di un guasto del prodotto, si prega di riportarlo presso il rivenditore ove lo si è acquistato, insieme alla ricevuta fiscale e ad una copia di questo certificato di garanzia.
- I diritti e i benefici delineati in base ai termini di questo certificato di garanzia sono in aggiunta a quelli previsti dalla legge che non risultano alterati dai termini di questo certificato.
- Holmes Products Europe si impegna a riparare o a sostituire gratuitamente ed entro un periodo di tempo specificato, qualsiasi parte dell'apparecchio dovesse risultare danneggiata a condizione che:
  - la Holmes Products Europe sia informata prontamente del difetto.
  - l'apparecchio non sia stato modificato in alcun modo o sottoposto ad uso improprio o a riparazione ad opera di un tecnico non autorizzato dalla Holmes Products Europe.
- Questo certificato non concede alcun diritto a chi acquistò il prodotto di seconda mano o per uso commerciale o collettivo.
- Qualsiasi apparecchio riparato o sostituito sarà sottoposto ai termini di questo certificato per il tempo restante della garanzia.

## РУССКИЙ

#### Поздравление

Приобретя увлажнитель воздуха Bionaire™, Вы выбрали один из самых лучших на сегодня увлажнителей воздуха.

**ПОЖАЛУЙСТА, ПОЧИТАЙТЕ И СОХРАНИТЕ ЭТИ ВАЖНЫЕ ИНСТРУКЦИИ**

**ПРИМЕЧАНИЕ:** Перед тем, как прочитать эти инструкции, пожалуйста, просмотрите соответствующие иллюстрации.

#### ОПИСАНИЕ (СМ. РИС.1/2/3)

- a. Ручка включения/выключения
- b. Бак с водой
- c. Водоочистительный фильтр
- d. Поддон для воды
- e. Камера тумана
- f. Предохранительный замок
- g. Крышка бака
- h. Нагревательный элемент
- i. Ночник

#### МЕРЫ БЕЗОПАСНОСТИ

При использовании электрических приборов для уменьшения риска пожара, поражения электрическим током и ранения всегда должны быть предприняты основные меры безопасности, включая следующие:

1. Прочитайте все инструкции перед использованием прибора.
2. Чтобы избежать пожара или поражения электрическим током включайте прибор непосредственно в электрическую розетку и полностью задвигайте штепсель.
3. Проложите провод в стороне от маршрутов передвижения. Чтобы избежать опасности пожара, НИКОГДА не протягивайте провод под коврами или вблизи батареи отопления, печей или нагревателей.
4. НЕ помещайте прибор около источников тепла, таких как печи, батареи отопления или нагреватели. Расположите Ваш увлажнитель воздуха около внутренней стены комнаты вблизи от электрической розетки. Для наилучших результатов увлажнитель воздуха должен отстоять по крайней мере на 10 см/4 дюйма от стены.
5. ПРЕДУПРЕЖДЕНИЕ: Этот увлажнитель воздуха производит горячий пар и, следовательно, не должен быть помещён там, где к нему могут получить доступ дети. Никогда не используйте увлажнитель воздуха в закрытой комнате (т.е. когда закрыты все двери и окна), так как в результате может создаться чрезмерная влажность.
6. ПРЕДУПРЕЖДЕНИЕ: Не пытайтесь наполнять водой увлажнитель воздуха, если он предварительно не отсоединён от электрической розетки. Пожалуйста, тяните за штепсель, а не за провод.
7. НИКОГДА не вставляйте какой-либо предмет ни в какие отверстия. НЕ помещайте руки, лицо или тело непосредственно над или около отверстия для выпуска влаги во время работы прибора. НЕ покрывайте отверстие для выпуска влаги и не помещайте чего-либо над ним во время работы прибора.
8. НЕ включайте прибор с повреждённым проводом или штепселем, после неисправной работы прибора, а также если прибор уронили или он был повреждён каким-либо образом. Верните прибор к производителю прибора для проверки, электрической или механической регулировки или ремонта.
9. Применяйте прибор только для бытового использования и только для целей, для которых он предназначен, как описано в этом руководстве. Любое другое использование, не рекомендованное производителем прибора, может послужить причиной пожара, поражения электрическим током или ранения. Использование приспособлений, не рекомендованных или не продаваемых компанией The Holmes Group, может представлять опасность.
10. НЕ используйте увлажнитель воздуха на открытом воздухе.
11. Всегда помещайте увлажнитель воздуха на твёрдой, плоской, ровной поверхности. Рекомендуется подложить под увлажнитель воздуха водонепроницаемый коврик или подкладку. НИКОГДА не помещайте прибор на поверхности, которая может быть повреждена воздействием воды и влаги (например, полированный пол).
12. НЕ направляйте отверстие для выпуска влаги в направлении стены. Влага может нанести повреждения, особенно обоям.
13. Увлажнитель воздуха должен быть

отсоединён от розетки, когда не используется.

14. НИКОГДА не наклоняйте, не передвигайте или не пытайтесь вылить воду из прибора во время его работы. Выключите прибор и выньте штепсель из розетки перед тем, как вынуть бак для воды или передвинуть прибор. НЕ пытайтесь вынуть бак для воды в течение 15 минут после того, как увлажнитель воздуха был отключён и отсоединён от розетки. Результатом может быть серьёзное ранение.
15. Этому увлажнителю воздуха требуется регулярное техническое обслуживание для того, чтобы он правильно работал. Прочтите о процедурах очистки и технического обслуживания.
16. НИКОГДА не используйте детергенты, бензин, очистители для стекла, политуру для мебели, разбавители для краски или другие бытовые растворители для очистки каких-либо деталей увлажнителя воздуха.
17. Чрезмерная влажность в комнате может послужить причиной конденсации воды на окнах и мебели. Если это случится, выключите увлажнитель воздуха.
18. Не используйте увлажнитель воздуха в помещении, где уровень влажности превышает 55%.
19. НЕ пытайтесь ремонтировать или регулировать какие-либо электрические или механические функции этого прибора. Увлажнитель воздуха не содержит никаких внутренних деталей для обслуживания потребителем. Любое обслуживание должно производиться только квалифицированным персоналом.
20. Если провод питания повреждён, он должен быть заменён производителем прибора или центром обслуживания, или квалифицированным электриком.

#### **ПОЖАЛУЙСТА, СОХРАНИТЕ ЭТИ ИНСТРУКЦИИ**

**Пожалуйста, помните, что это электрический прибор и что он требует внимания, когда используется.**

Как работает Ваш увлажнитель воздуха с помощью тёплого тумана Ваш увлажнитель воздуха с помощью тёплого тумана Bioair®™ сконструирован так, чтобы позволить надлежащему количеству воды вытекать из бака и проходить через водоочистительный фильтр. Фильтр забирает большинство минеральных солей и

осадка из воды прежде, чем вода поступит в нагревательную камеру, где нагревательный элемент с электронным терморегулятором нагревает воду. Воздух поступает внутрь через отверстия в решётке, расположенной на задней части прибора, и смешивается с паром в камере тумана. Тёплый туман затем распространяется из верхней части камеры тумана и через выходную решётку поступает в комнату.

**ПРИМЕЧАНИЕ:** Уровень влажности ниже 30% может быть нездоровым и некомфортным. Рекомендуемый уровень влажности - между 45%-55%.

#### **ИНСТРУКЦИИ ПЕРЕД ИСПОЛЬЗОВАНИЕМ**

1. Убедитесь, что увлажнитель воздуха отсоединён от электрической розетки и ручка включения/выключения находится в положении 0 - выключено (Off).
2. Выберите место для Вашего увлажнителя воздуха: на плоской поверхности примерно в 10 см от стены. Не ставьте Ваш увлажнитель воздуха на мебель. Самое лучшее расположение - на полу, который не будет повреждаться влагой.
3. Выньте бак для воды (см. Рис.1). Выньте водоочистительный фильтр и подержите его под струёй холодной воды из крана по крайней мере 1 минуту, чтобы убедиться, что он совершенно влажный. Затем верните его на место в поддон для воды.
4. Убедитесь, что поддон для воды свободен от посторонних предметов, сняв камеру тумана. Чтобы снять этот блок, Вы должны снять предохранительный замок (F), который фиксирует обе части вместе. (Верните камеру тумана на место над нагревательным элементом и убедитесь, чтобы ручка предохранительного замка была в положении "заперто" (Lock).

#### **Наполнение бака для воды**

**ПРИМЕЧАНИЕ:** Этот увлажнитель воздуха содержит 5,5 литров воды в баке и в основании увлажнителя. Увлажнитель воздуха будет производить до 11,5 литров влаги за период в 24 часа.

1. Убедитесь, что увлажнитель воздуха отсоединён от электрической розетки и ручка включения/выключения находится в положении 0 - выключено (Off). Выньте бак для воды.
2. Открутите крышку бака, расположенную на дне резервуара, поворачивая её

против часовой стрелки, и наполните бак прохладной свежей водой. Не наполняйте бак тёплой водой, так как это может вызвать протечку.

3. После наполнения бака верните крышку на место, крепко завернув её по часовой стрелке, и затем вставьте бак для воды в основание прибора. Вода из бака тотчас же начнёт выливаться в основание.
4. Подсоедините провод питания к удобно расположенной и подходящей по напряжению электрической розетке.

#### **ИНСТРУКЦИИ ПО ЭКСПЛУАТАЦИИ (См. Рис.2) ВАЖНО**

Когда водоочистительный фильтр используется в увлажнителе воздуха в первый раз или после периода неиспользования (например, 48 часов), подержите фильтр 1 минуту под струёй холодной воды из крана. Вставьте фильтр обратно в прибор и подождите 5 минут, пока вода будет выливаться.

Затем осторожно поднимите бак для воды и проверьте, чтобы поддон для воды (D) был на 2/3 наполнен водой. Если нет, поставьте бак для воды на место и подождите ещё 5 минут, пока вода не достигнет нужного уровня.

НЕ включайте увлажнитель воздуха до тех пор, пока поддон для воды не будет на 2/3 наполнен водой.

1. Поверните ручку включения/выключения в положение I (включено). Обычно увлажнитель воздуха нагревается 2-3 минуты и затем начинает производить туман.
2. Чашка для лекарств расположена на верху камеры тумана. Чтобы использовать её, влейте назначенное лекарство в прорезь. НЕ добавляйте лекарство в бак с водой. НЕ добавляйте лекарство в чашку для лекарств, когда прибор уже работает.

#### **Ночник**

1. Чтобы включить ночник, передвиньте ручку в положение "ON" (Включено).
2. Чтобы увеличить срок службы лампочки, выключайте ночник в дневное время.

#### **ПРОЦЕДУРА УСТАНОВКИ В ИСХОДНОЕ СОСТОЯНИЕ**

**ПРИМЕЧАНИЕ:** Когда бак с водой опустеет и воды в нагревательной камере почти не будет, загорится лампочка дозаправки (красным светом) и активируется

автоматическое выключение. Прибор не будет работать снова до тех пор, пока Вы не наполните бак для воды и не переустановите увлажнитель воздуха в исходное состояние.

1. Поверните ручку включения/выключения против часовой стрелки в положение "установка в исходное состояние" (RESET).
2. Выньте штепсель из розетки.
3. Выньте бак для воды и наполните его водой. Поставьте бак обратно в основание.
4. Подождите 5 минут, чтобы автоматическое выключение установилось в исходное состояние.
5. По истечении 5 минут вставьте штепсель в розетку и поверните ручку включения/выключения в положение I (включено). Через 2-3 минуты увлажнитель воздуха начнёт производить влагу.
6. Если лампочка дозаправки всё ещё горит, выньте штепсель увлажнителя воздуха из розетки и подождите ещё 5 минут.

#### **ВАЖНО**

Если Вы не планируете использовать увлажнитель воздуха в течение двух или более дней, убедитесь, что остаток воды вылит из бака для воды и основания, чтобы предотвратить рост водорослей и бактерий. Замена водоочистительного фильтра  
Водоочистительный фильтр используется, чтобы удерживать минеральные соли из воды и обеспечивать выпуск чистой влаги. Срок службы фильтра определяется средним ежедневным использованием Вашего увлажнителя воздуха и жёсткостью воды в Вашем регионе. В регионах с жёсткой водой нужно более часто заменять фильтр. Настоятельно рекомендуется заменять фильтр по крайней мере каждые 2-3 месяца (в зависимости от использования) или когда на нагревательном элементе начнёт образовываться минеральный осадок.

#### **Чтобы заменить фильтр**

1. Переключите увлажнитель воздуха на 0 - "выключено" (Off) и выньте штепсель из розетки. Выньте бак, вылейте всю воду из основания, выньте использованный фильтр и выбросьте его.
2. Снимите защитный мешок с нового фильтра и подержите его 1 минуту под струёй холодной воды из крана. Вставьте

намоченный фильтр в основание (см. Рис.2) и поставьте на место бак. Подождите по крайней мере 5 минут, чтобы дать воде стечь, прежде, чем включить прибор (On) - ручка в положении (I).

#### Инструкции по очистке и техническому обслуживанию

Следующие текущие процедуры технического обслуживания должны производиться, чтобы обеспечить правильную эффективную работу Вашего увлажнителя воздуха. Прибор НЕ БУДЕТ работать, если он правильно не очищен. Регулярная чистка предотвращает образование накипи на нагревательном элементе и поддоне. Она также предотвращает рост микроорганизмов на поддоне и в баке. Этим обеспечивается максимальная эффективность. Мы специально подчёркиваем, как важна правильная очистка для технического обслуживания и продолжительного использования Вашего прибора и предотвращения роста водорослей и бактерий.

#### Регулярное техническое обслуживание

Частота технического обслуживания будет зависеть от среднего ежедневного использования Вашего увлажнителя воздуха и жёсткости воды в Вашем регионе. Рекомендуется, чтобы эта процедура проводилась еженедельно или более регулярно, если это необходимо.

1. Перед очисткой установите ручку включения/выключения в положение 0 - "выключено" (Off) и выньте штепсель из электрической розетки.
2. Выньте бак для воды, а затем открутите камеру тумана, поворачивая предохранительный замок. Выньте камеру тумана из основания прибора. Затем выньте поддон из основания.
3. Вылейте воду и минеральный осадок из поддона и вымойте его, чтобы удалить все осадки и грязь, скопившиеся на поддоне.

**ПРИМЕЧАНИЕ:** Поддон обязательно должен очищаться как следует. Поддон безопасно мыть в посудомоечной машине (только на верхней полке посудомоечной машины).

4. Промойте бак и наполните его чистой

прохладной водой.

5. Начисто вытрите нагревательный элемент мягкой тканью после того, как он остынет.

**ПРЕДУПРЕЖДЕНИЕ:** Если камера тумана останется закреплённой в увлажнителе воздуха, потребуется около часа прежде, чем нагревательный элемент достаточно остынет, чтобы до него можно было дотронуться.

Этот увлажнитель воздуха нагревает воду, производя чистую влагу. Некоторые загрязнения из воды собираются в нагревательной камере. Нагревательный элемент с электронным терморегулятором имеет тефлоновое покрытие, которое создано, чтобы процесс очищения был очень лёгким для обеспечения продолжительной эффективной работы увлажнителя воздуха. НЕ используйте никакие металлические или твёрдые предметы для очистки нагревательного элемента. Покрытие можно поцарапать, если оно неправильно очищается. НИКОГДА не используйте детергенты, бензин, керосин, очистители для стекла, политуру для мебели, разбавители для краски или другие бытовые растворители для очистки каких-либо деталей увлажнителя воздуха.

#### Процедура удаления накипи

J1 Накипь должна удаляться как только она становится заметной. Мы рекомендуем использовать очищающий раствор для очистки увлажнителя воздуха Bionaire™ "Clean Away".

J2 Нанесите раствор пластиковой щёткой на поверхности с накипью. Оставьте раствор до тех пор, пока осадок не размякнет. Для очистки бака смешайте 2 капсулы раствора с 2-мя литрами воды. Оставьте раствор в баке на несколько минут, покачивая его каждые пару минут. Вылейте раствор и ТЩАТЕЛЬНО ПРОМОЙТЕ бак.

#### Если раствора не имеется, следуйте этим инструкциям:

1. Повторите стадии 1-3 из раздела о техническом обслуживании.
2. Очистите поддон, частично наполнив его 200 мл неразбавленного белого уксуса. Если элемент сильно покрыт накипью, вставьте штепсель увлажнителя воздуха в электрическую розетку и включите его (ON) не дольше, чем на 15 секунд. После этого выключите увлажнитель воздуха

(OFF) и выньте штепсель из электрической розетки. Дайте раствору постоять 20 минут, очищая все внутренние поверхности мягкой щёткой. Смочите ткань в неразбавленном белом уксусе и вытрите весь поддон, чтобы удалить накипь.

3. Прополощите чистой тёплой водой, чтобы удалить накипь и раствор белого уксуса прежде, чем начать дезинфицировать бак.

4. Начисто вытрите нагревательный элемент мягкой тканью после того, как он остынет.

#### Дезинфицирование бака:

1. Наполните бак смесью 1 чайной ложки отбеливателя с 3,5 литрами воды.
2. Дайте раствору постоять 20 минут, покачивая бак каждые несколько минут. Смочите все поверхности.
3. Вылейте раствор из бака через 20 минут и тщательно прополощите водой до тех пор, пока запах отбеливателя не исчезнет. Вытрите бак бумажным полотенцем.
4. Наполните бак прохладной водой; поставьте бак для воды на место. Повторите инструкции по эксплуатации.

#### Инструкции по хранению

Если Ваш увлажнитель воздуха не использовался в течение двух дней или более, или в конце сезона, следуйте этим инструкциям.

1. Очистите, прополощите и тщательно вытрите увлажнитель воздуха как указано в разделе об удалении накипи. НЕ оставляйте воду в основании или поддоне.
2. Выньте крышку резервуара. Не храните прибор с крышкой резервуара, оставленной на её месте.
3. Выньте и выбросьте фильтр.
4. Поместите увлажнитель воздуха в картонную упаковку, в которой он был куплен, и храните в сухом прохладном месте.
5. Очистите увлажнитель воздуха перед началом следующего сезона.
6. Закажите фильтр для замены, чтобы начать следующий сезон.

#### ИНСТРУКЦИИ ПО ОБСЛУЖИВАНИЮ

1. НЕ пытайтесь ремонтировать или регулировать какие-либо электрические или механические функции этого прибора. Это сделает гарантию недействительной. Увлажнитель воздуха не содержит никаких внутренних деталей для обслуживания потребителем. Любое обслуживание должно производиться только квалифицированным персоналом.
2. Если прибор перестанет работать, сперва проверьте предохранитель в штепселе (только в Великобритании) или предохранитель/автоматический выключатель на распределительном щите, чтобы убедиться, что он в рабочем состоянии, прежде, чем обращаться к производителю прибора или в центр обслуживания.
3. Если Вам нужно заменить прибор, пожалуйста, верните его в магазин, где Вы его приобрели, в картонной упаковке, в которой он был куплен, и с торговым чеком.
4. Если Вашему увлажнителю воздуха потребуются обслуживание, пожалуйста, обратитесь в местный центр обслуживания.

#### АКСЕССУАРЫ ДЛЯ МОДЕЛИ BWM5075

J1 Водоочистительный фильтр WMF-50

J2 Мы рекомендуем использовать гидрометр/термометр Bionaire™, модель номер BT400, чтобы измерять температуру и уровень влажности в комнате.

J3 Очищающий раствор Bionaire™.

#### ТЕХНИЧЕСКИЕ ХАРАКТЕРИСТИКИ

Входное напряжение: 220-240 В ~ 50 Гц

Потребляемая мощность: 400 Вт

Компания The Holmes Group оставляет за собой право изменять или модифицировать любые технические характеристики без уведомления.

ЭТО ИЗДЕЛИЕ ИЗГОТОВЛЕНО В СООТВЕТСТВИИ С ИНСТРУКЦИЯМИ ЕВРОПЕЙСКОГО ЭКОНОМИЧЕСКОГО СООБЩЕСТВА 73/23/ЕЕС, 89/336/ЕЕС, 89/336/ЕЕС.

**ГАРАНТИЯ**

ПОЖАЛУЙСТА, СОХРАНИТЕ ВАШ ЧЕК, ТАК КАК ОН ПОТРЕБУЕТСЯ ДЛЯ РЕКЛАМАЦИЙ В ТЕЧЕНИЕ ГАРАНТИЙНОГО СРОКА.

- Гарантия на это изделие – 2 года.
- В маловероятном случае поломки, пожалуйста, возвратите изделие туда, где оно было приобретено, вместе с чеком и копией этой гарантии.
- Права и преимущества в рамках этой гарантии дополняют Ваши законные права, которым гарантия не наносит никакого ущерба.
- В течение определенного периода компания Holmes Products Europe гарантирует бесплатный ремонт или замену любой детали прибора, которая окажется неисправной, при условии, что:
  - Нам будет быстро сообщено о неисправности.
  - Прибор не был изменен каким-либо образом или не был употреблен неправильно, или не подвергался ремонту кем-либо, не уполномоченным компанией Holmes Products Europe.
- Эта гарантия не дает никаких прав покупателю, приобретшему прибор из вторых рук или для коммерческих или общественных целей.
- Любой отремонтированный или замененный прибор подпадает под действие гарантии на этих условиях на оставшийся срок гарантии.

**MAGYAR****Gratulálunk**

A Bionaire® légnedvesítő választásával Ön a piacon jelenleg kapható egyik legjobb légnedvesítő készüléket választotta.

**OLVASSA EL ÉS ŐRIZZE MEG EZEKET A**

**MEGJEGYZÉS:** Mielőtt elolvassa az utasításokat, nézze meg a megfelelő illusztrációkat!

**FONTOS UTASÍTÁSOKAT!****Leírás (Lásd az 1.2.3 Ábrát)**

- Főkapcsoló
- Víztartály
- Víz tisztító szűrő
- Víz tálcá
- Ködkamra
- Biztonsági zár
- A tartály fedele
- Fűtőelem
- Éjszakai világítás

**BIZTONSÁGI ÓVINTÉZKEDÉSEK**

Elektromos készülékek használatakor mindig be kell tartani többek között az alábbi alapvető biztonsági óvintézkedéseket a tűz, áramütés és személyi baleset kockázatának csökkentése céljából:

1. Olvasson el minden utasítást a készülék használatbavétele előtt!
2. Tűz vagy áramütés veszélyének elkerülése céljából a készüléket közvetlenül dugaszolja az elektromos csatlakozó aljzatba, és ütközésig dugja be a dugót!
3. Tartsa távol a készülék zsinórját a forgalmas területektől! A tűz kockázatának elkerülése céljából SOHA ne tegye a zsinórt szőnyeg alá, radiátor, kályha vagy fűtőkészülék közelébe!
4. NE tegye a légnedvesítőt hőforrások, például kályhák, radiátorok és fűtőkészülékek közelébe! A légnedvesítő készüléket a helyiség falára helyezze, az elektromos csatlakozó aljzat közelében! A légnedvesítő készüléknek legalább 10 cm-re kell elállnia a faltól a legjobb eredmények elérése érdekében.
5. **FIGYELMEZTETÉS:** E légnedvesítő készülék forró gőzt termel, és ezért nem lehet olyan helyre tenni, ahol gyermekek elérhetik. Soha ne használja a légnedvesítő készüléket zárt szobában (azaz, ha zárva vannak az ajtók és ablakok), mivel túl nagy párákat okozhat.

6. **FIGYELMEZTETÉS:** Ne kísérelje meg utántölteni a légnedvesítő készüléket úgy, hogy előbb nem áramtalanítja a készüléket a dugónak a csatlakozó aljzattól való kihúzásával. Ügyeljen rá, hogy a dugót és ne a zsinórt húzza!
7. SOHA NE ejtse le vagy ne tegyen semmilyen tárgyat semmilyen nyílásába. NE tegye a kezét, arcát vagy bármely testrészét közvetlenül a Párásító Kimenetre vagy annak közelébe, amikor a készülék működik. NE fedje le a Párásító Kimenetet, vagy ne tegyen rá semmit, amíg a készülék működik!
8. NE használjon semmilyen készüléket sérült zsinórral vagy dugóval, a készülék üzemszavara után, vagy ha leejtette, vagy ha bármilyen módon megrongálódott! Küldje vissza a készüléket a gyártónak megvizsgálás, elektromos vagy mechanikai szabályozás vagy javítás céljából!
9. Csak az e használati utasításban ismertetett, előirányzott háztartási célra használja a készüléket! A gyártó által nem ajánlott bármilyen más használat tüzet, áramütést vagy személyi sérülést okozhat. A Holmes Csoport által nem ajánlott vagy nem forgalmazott toldatok használata veszélyes lehet.
10. NE használja szabad térben!
11. Mindig tegye a légnedvesítőt stabil, lapos, egyenletes felületre. Vízálló szőnyeget vagy alátétet célszerű a légnedvesítő alá tenni. SOHA NE tegye olyan felületre, amely károsodhat a víz és nedvesség hatására (pl. lakkozott padló)!
12. NE fordítsa a Párásító Kimenetet közvetlenül a fal felé. A pára kárt okozhat, különösen a tapétában.
13. A légnedvesítő készülék dugóját ki kell húzni a csatlakozó aljzattól, ha a készüléket nem használja.
14. SOHA NE döntse meg, mozdítsa el, vagy ne kísérelje meg kiüríteni a készüléket működés közben! Kapcsolja ki és húzza ki a dugót az aljzattól, mielőtt kiveszi a víztartályt és elmozdítja a készüléket! NE kísérelje meg kivenni a víztartályt 15 percn belül az után, hogy a légnedvesítőt kikapcsolta és a dugóját kihúzta! Súlyos balesetet okozhat.
15. A légnedvesítő a megfelelő működéshez rendszeres karbantartást igényel. Lásd a tisztítási és karbantartási eljárást!
16. SOHA NE használjon mosószert, benzint, üvegtisztítót, bútorfényezőt, higítót vagy más háztartási oldószert a légnedvesítő bármely részének tisztítására!
17. Ha a szobában túl nagy a pára, a víz lecsapódhat az ablakokon és egyes bútorokon. Ez esetben a légnedvesítő készüléket kapcsolja KI!
18. A légnedvesítőt ne használja ott, ahol a páratartalom szintje meghaladja az 55%-ot!
19. NE kísérelje meg javítani vagy beszabályozni a készülék bármely elektromos vagy mechanikai funkcióját! A készülékben nincsenek a felhasználó részéről szervizt igénylő részek. Minden szervizt csak szakember végezhet.
20. Ha a tápszinór megsérült, a gyártónak vagy a szerviznek, vagy hasonló szakembernek kell kicserélnie.

**ŐRIZZE MEG EZEKET AZ UTASÍTÁSOKAT! Ne feledje, ez elektromos készülék, és a használata figyelmet igényel.**

Hogy működik a forró párák légnedvesítő? Az Ön Bionaire® forró párák légnedvesítő készüléke arra szolgál, hogy megfelelő mennyiségű víz áramoljon át a tartályból a víztisztító szűrőn keresztül. A szűrő kiszűri a vízből az ásványi anyagok és az üledékek zömét, mielőtt a víz a fűtőkamrába kerül, ahol elektronikus hővezérlésű fűtőelem melegíti fel a vizet. A levegő a készülék hátoldalán lévő rács nyílásain keresztül kerül beszívásra és összekeveredik a gőzzel a gőzkamrában. A meleg gőz ekkor kiáramlik a ködkamra tetejéről a kimeneti rácson keresztül a szobába. **MEGJEGYZÉS:** A 30 % alatti légnedvesség szint egészségtelen és kényelmetlen lehet. A légnedvesség ajánlott szintje 45 % – 55 % között van.

**ÜZEMBE HELYEZÉS ELŐTTI UTASÍTÁSOK**

1. Ügyeljen rá, hogy a légnedvesítőt húzza ki a hálózati csatlakozó aljzattól, és a főkapcsoló legyen 0 – kikapcsolt helyzetben!
2. Válassza ki a légnedvesítő készülék helyét sík felületen, a faltól kb. 10 cm-re! Ne tegye a légnedvesítő készüléket bútorra! A legjobb az, ha a padlóra helyezi, olyan helyre, ahol a nedvesség semmiben nem okoz kárt.
3. Vegye ki a víztartályt (lásd az 1. Ábrát)! Vegye ki a víztisztító szűrőt, és tartsa a csapból jövő hideg víz alá legalább 1 percig, hogy alaposan átnedvesedjen! Majd tegye vissza a víztálcába!
4. A ködkamra kiemelésével győződjön meg róla, hogy a víztálcán nincs idegen tárgy! A kiemeléséhez mozdítsa el a Biztonsági Zárát (F), amely a helyén rögzíti a két részt! (Tegye vissza a ködkamrát a fűtőelemre, és

ügyeljen rá, hogy a Biztonsági Zár gombja „Lock” (Zárva) helyzetben legyen!

#### A víztartály feltöltése

**MEGJEGYZÉS:** E légnedvesítőben kb. 5,5 liter víz van a víztartályban és a légnedvesítő készülék alapzatában. A légnedvesítő 24 órás időszak alatt maximum 11,5 liter párat képez.

1. Ügyeljen rá, hogy a légnedvesítőt áramtalanítsa a csatlakozó aljzatból a dugó kihúzásával, és a főkapcsoló 0 – kikapcsolt helyzetben legyen! Vegye ki a víztartályt!
2. Fordítsa el a tartály alján lévő tartályfedelet az óramutató járásával ellentétes irányban, és töltsse fel a víztartályt friss hideg vízzel! Ne meleg vízzel töltsse fel, mivel ez szivárgást okozhat!
3. A tartály feltöltése után tegye vissza a tartály fedelét úgy, hogy határozott mozdulattal elfordítja az óramutató járásával megegyező irányban, majd tegye vissza a víztartályt az alapzatra! A tartály azonnal elkezd ürülni az alapzatba.
4. Dugasolja be a tápszínórt a megfelelő és elérhető hálózati tápforrásba!

#### ÜZEMELTETÉSI UTASÍTÁSOK (Lásd a 2. Ábrát) FONTOS

Amikor a légnedvesítő készülékben először használja a légtisztító szűrőt, vagy hosszabb üzemzsinet (pl. 48 óra) elteltével, be kell nedvesíteni a szűrőt úgy, hogy a csapból jövő hideg víz alá tartja legalább 1 percig. Tegye vissza a szűrőt a készülékbe, és hagyja, hogy 5 percig folyjon a víz!

S akkor óvatosan emelje fel a víztartályt és ellenőrizze, hogy a víztálca (D) 2/3-áig megtelt-e vízzel. Ha nem, tegye vissza a víztartályt, és várjon még 5 percet, amíg a víz eléri a kívánt szintet!

NE kapcsolja ki a légnedvesítő készüléket, amíg a víztálca 2/3-áig meg nem telt vízzel.

1. Fordítsa el a főkapcsolót az I helyzetbe! A légnedvesítő készülék kb. 2–3 percig bemelegszik, és ez után kezd gőzt termelni.
2. A ködkamra tetején van egy Adagoló Pohár. A használata céljából öntse a megfelelő légnedvesítő hatóanyagot a jelzésig. NE öntse a hatóanyagot a víztartályba! NE öntse a hatóanyagot az adagoló pohárba, amikor a készülék már működik.

#### Éjszakai világítás

1. Az éjszakai világítás aktiválása céljából a kapcsolót állítsa a megfelelő helyzetbe!
2. Az égő élettartamának maximalizálása céljából az éjszakai világítást nappal kapcsolja ki!

#### ÚJRAINDÍTÁSI ELJÁRÁS

**MEGJEGYZÉS:** Amikor a víztartály üres, és a Fűtőkamrában már majdnem kifogyott a víz, kigyullad az utántöltő (vörös) lámpa, és aktiválódik az Automatikus Kikapcsolás. A készülék addig nem működik, amíg fel nem tölti a víztartályt és újra nem indítja a légnedvesítő készüléket.

1. Fordítsa el a Főkapcsolót az óramutató járásával ellentétes irányban a RESET (Újraindítás) beállításra!
2. Húzza ki a készülék csatlakozó dugóját!
3. Vegye ki és töltsse fel újra a víztartályt! Tegye vissza az alapzatra!
4. Várjon 5 percet az Automatikus Leállításra, hogy ez után újra indíthson!
5. 5 perc elteltével dugaszolja be a készüléket, és fordítsa el a Főkapcsolót az I helyzetbe! Kb. 2–3 perc múlva a légnedvesítő készülék párákat fog termelni.
6. Ha az utántöltő lámpa továbbra is ég, húzza ki a légnedvesítő készüléket a csatlakozó alapzatából, és várjon még 5 percet!

#### FONTOS:

Ha úgy tervezi, hogy két vagy több napig nem használja a légnedvesítő készüléket, ügyeljen rá, hogy minden maradék vizet kiürítsen a víztartályból és a készülék alapzatából, hogy megelőzze az algásodást vagy baktériumok elszaporodását.

#### A víztisztító szűrő visszahelyezése

A víztisztító szűrőt a vízben lévő ásványi anyagok kiszűrésére és tiszta pára előállítására használjuk. A szűrő élettartamát a légnedvesítő készülék átlagos napi használata és az adott térségben a víz keménysége határozza meg. Ott, ahol keményebb a víz, gyakrabban van szükség a szűrő cseréjére. Határozottan ajánlott a szűrőt legalább 2–3 havonta cserélni (a használatától függően), vagy ha a fűtőelemen ásványok kezdenek lerakódni.

#### A szűrő cseréje:

1. Kapcsolja ki a légnedvesítő készüléket 0 – ki helyzetbe, és húzza ki a dugót! Vegye ki a tartályt, ürítse le a vizet az alapzatából, emelje ki a használt szűrőt, és dobja ki!
2. Vegye le a védőzsákokat az új szűrőről és nedvesítse be a szűrőt csapból jövő hideg víz alá tartva legalább 1 percig! Tegye a benedvesített szűrőt a készülék alapzatába (lásd a 2. Ábrát) és tegye vissza a tartályt, legalább 5 percet hagyva, hogy a víz áthaladjon rajta, mielőtt a készüléket bekapcsolja (I) BE helyzetbe!

#### Tisztítási és karbantartási utasítás

Az alábbi karbantartási eljárásokat rutinszerűen be kell tartani a légnedvesítő készüléke megfelelő, hatékony működésének biztosítása céljából. A készülék MEGHIBÁSODIK, ha nem tisztítják megfelelően.

A rendszeres tisztítás megelőzi a vízkő lerakódását a fűtőelemen és tálcán. Megelőzi mikroorganizmusok elszaporodását is a tálcán és a tartályban. Ez biztosítja a maximális hatékonyság elérését. Nem tudjuk eléggé hangsúlyozni, hogy mennyire fontos a megfelelő tisztítás a készülék karbantartása és folyamatos használata, valamint az algák és baktériumok elszaporodásának megelőzése szempontjából.

#### Rendszeres karbantartás

A karbantartás gyakorisága a légtisztító készülékének átlagos napi használatától és az Ön területén a víz keménységétől függ. Célszerű, hogy ezt az eljárást hetente vagy szükség esetén még rendszeresebben elvégezze.

1. Tisztítás előtt állítsa a szabályozót 0 – Ki helyzetbe, és húzza ki a készülék dugóját az elektromos hálózatról!
2. Vegye ki a víztartályt, majd nyissa ki a ködkamrát a biztonsági zár elforgatásával! Emelje ki a ködkamrát a készülék alapzatából! Most emelje fel a tálcát az alapzatról!
3. Öntse ki a vizet, és távolítsa el az ásványi lerakódást a tálcáról, és mossa le, hogy eltávolítson bármi üledéket és szennyeződést, ami összegyűlhetett a tálcán! **MEGJEGYZÉS:** Elengedhetetlenül fontos a tálcát megfelelő tisztítása. A tálcát mosogatógépben könnyen tisztítható (a mosogatógépnek csak a felső polcán).
4. Öblítse ki a tartályt és töltsse fel tiszta hideg vízzel!
5. Törölje tisztára a fűtőelemet nedves ruhával, miután lehűlt.

**FIGYELMEZTETÉS:** Ha a ködkamra a légnedvesítő készülékbe szerelve maradt, egy órába is beletelhet, amíg a fűtőelem annyira lehűl, hogy érinthető.

E légnedvesítő készülék felforralja a vizet tiszta köd létrehozása céljából. A vízben lévő szennyeződések lerakódnak a Fűtőkamrában. Az Elektronikus Hőszabályozású Fűtőelem teflon bevonattal van ellátva, a könnyű tisztítás céljából és a légnedvesítő készülék tartós működési hatékonyságának biztosítása érdekében.

NE használjon semmilyen fém vagy kemény tárgyat a fűtőelem tisztítására! Nem megfelelő tisztítás esetén a bevonat megkarcolódhat. Soha ne használjon mosószert, gázolajat, benzint, üveg tisztítót, bútorfényezőt, higítót vagy más háztartási oldószert a légnedvesítő készülék semmilyen részének tisztítására!

#### A vízkő eltávolítása

- A vízkövet el kell távolítani, amint láthatóvá válik. A Bionaire™ Clean Away légnedvesítő tisztító oldatot ajánljuk.
- Az oldatot műanyag kefével kell felvinni az elvízkövesedett felületekre. Hagyja rajta, amíg a lerakódás felpuhul. A tartály tisztításához keverjen össze 2 kapszula oldatot 2 liter vízben. Hagyja a keveréket állni néhány percig, többször kevergetve! Öntse rá az oldatot, és ALAPOSAN ÖBLÍTSE LE a tartályt!

#### Ha nem követhetőek ezek az utasítások:

1. Ismétlje meg a Karbantartás pontban leírt 1–3 lépést.
2. Tisztítsa le a tálcát úgy, hogy részben feltölti a tálcát 200 ml higítatlan fehér borecettel! Ha az elem erősen elvízkövesedett, dugaszolja be a légnedvesítő készülék dugóját a hálózati csatlakozó aljzatba, és kapcsolja BE legfeljebb 15 másodpercre! Ez után kapcsolja KI a légnedvesítő készüléket, és húzza ki a dugót a hálózati csatlakozó aljzatról! Hagyja az oldatot 20 percig állni, puha kefével letisztítva minden belső felületet! Nedvesítsen be egy ruhát a higítatlan fehér borecettel, és törölje le az egész tálcát a vízkő eltávolítása céljából!
3. Öblítse le tiszta meleg vízzel, hogy eltávolítsa a vízkövet és a fehér borecet oldatot, mielőtt megkezdí a tartály fertőtlenítését!
4. Dörzsölje tisztára a fűtőelemet puha ruhával, miután lehűlt!

#### A tartály fertőtlenítése:

1. Töltsse fel a tartályt 1 teáskanál fehérítővel és 3,5 liter vízzel!
2. Hagyja az oldatot 20 percig állni, többször kevergetve! Nedvesítsen be minden felületet!
3. Ürítse ki a tartályt 20 perc múltán, és öblítse le jól vízzel, amíg a fehérítő szaga elmúlik! Törölje szárazra papírtörölközővel!
4. Töltsse fel a víztartályt hideg vízzel; tegye vissza a víztartályt! Ismétlje meg az üzemeltetési utasításokat!

**Tárolási utasítások**

Ha a légnedvesítő készüléket két vagy több napig nem használja, vagy az évszak végén, az alábbi utasításokat kövesse!

1. Tisztítsa meg, öblítse át és törölje szárazra a légnedvesítő készüléket a vízkő eltávolításáról szóló karbantartási pontban ismertetett utasítás szerint! NE hagyjon semmi vizet az alappalban vagy a tálcán!
2. Vegye le a tartály fedelét! Ne tárolja úgy, hogy a tartályon rajta legyen a fedele!
3. Vegye ki és dobja el a szűrőt!
4. Tegye a légnedvesítő készüléket az eredeti dobozába, és száraz hűvös helyen tárolja!
5. Tisztítsa meg a légnedvesítő készüléket a következő szezon kezdete előtt!
6. Rendeljen új szűrőt a következő szezon kezdetéig!

**SZERVIZ UTASÍTÁSOK**

1. NE kísérelje meg javítani vagy beszabályozni a készülék semmilyen elektromos vagy mechanikai funkcióját! Ez a garancia elvesztésével jár. A készülék belsejében nincsenek a felhasználó részéről szervizt igénylő részek. Csak szakember végezhet minden szervizt.
2. Ha a készülék nem működne, először ellenőrizze a biztosítót a dugaszban (csak az Egyesült Királyságban), vagy a biztosító/áramköri megszakítót az elosztótáblán, mielőtt kapcsolatba lépne a gyártóval vagy a szervizzel!
3. Ha ki kell cserélni a készüléket, az eredeti dobozában küldje vissza a számlával együtt abba az áruházba, ahol vásárolta.
4. Ha a légnedvesítő készülék szervizt igényelne, forduljon a helyi forgalmazóhoz!

**TARTOZÉKOK A BWM5075 MODELLHEZ**

- WMF-50 víztisztító szűrő
- Bionaire® / Légnedvesítő-mérő / Hőmérő, típus száma: BT400, használatát a szoba belső hőmérsékletének és a páratartalom szintjének leolvasására ajánljuk.
- Bionaire® tisztító oldat.

**MŰSZAKI SPECIFIKÁCIÓK**

Bemenő feszültség: 220–240 V~ 50 Hz  
Teljesítmény felvétel: 400 W (max.)  
A Holmes Csoport fenntartja magának a jogot bármilyen specifikáció megváltoztatásához vagy módosításához külön értesítés nélkül.  
E TERMÉK GYÁRTÁSA MEGFELEL AZ EGK ALÁBBI IRÁNYELVEINEK:  
73/23/EGK és 89/336/EGK.

**GARANCIA**

ŐRIZZE MEG A SZÁMLÁT, MERT SZÜKSÉG LESZ RÁ GARANCIÁLIS IGÉNY ESETÉN.

- E termékre 2 évre szóló garancia van érvényben.
- A meghibásodás valószínűtlen esetében vigye vissza a vásárlás helyére a számlával és e garancia másolatával együtt.
- Az e garancia szerinti jogok és előnyök a törvényes jogain túl illetik meg Önt, amelyeket e garancia nem csorbít.
- A Holmes Products Europe vállalja az adott időn belül a meghibásodott készülék bármely alkatrészének díjmentes javítását vagy cseréjét, feltéve, hogy:
  - Bennünket haladéktalanul tájékoztatnak a hibáról.
- A készüléket nem módosították semmilyen módon, illetve nem fordult elő nem rendeltetésszerű használat, vagy nem javította olyan személy, aki nem lett erre feljogosítva a Holmes Products Europe részéről.
- E garancia nem terjed ki a készüléket másodkézből vásárló személyre, vagy kereskedelmi vagy kommunális célú felhasználásra.
- Bármely javított vagy cserélt készülékre ilyen feltételekkel érvényes a garancia a garanciális idő hátralévő részére.

**ČESKY****ČESKÁ REPUBLIKA****Blahopřejeme**

Zvolili jste si jeden z nejlepších zvlhčovačů na trhu – zvlhčovač Bionaire™.

**PŘEČTĚTE SI TENTO NÁVOD K POUŽITÍ. PO PŘEČTENÍ HO PEČLIVĚ USCHOVEJTE.**

**POZNÁMKA:** Než začnete se čtením pokynů, prohlédněte si odpovídající ilustrace.

**Popis (viz obr. 1/2/3)**

- a. Spínač
- b. Vodní nádrž
- c. Filtř k čištění vody
- d. Miska na vodu
- e. Mlžná komora
- f. Bezpečnostní západka
- g. Víko nádrže
- h. Topný článek
- i. Noční světlo

**BEZPEČNOSTNÍ OPATŘENÍ**

Při použití elektrických zařízení je třeba vždy dodržovat následující základní bezpečnostní pokyny, aby bylo sníženo riziko požáru, elektrického šoku nebo zranění osob:

1. Před použitím zařízení si pečlivě přečtěte návod.
2. K tomu, abyste se vyhnuli nebezpečí požáru nebo elektrického šoku, zapojte zařízení přímo do zásuvky.
3. Uchovávejte kabel mimo oblasti s velkým provozem. K tomu, abyste se vyhnuli nebezpečí požáru, NIKDY nepokládejte kabel pod rohože, do blízkosti radiátorů, vařičů ani topných těles.
4. NEUMÍSTUJTE zvlhčovač do blízkosti vařičů, radiátorů ani topných těles. Umístěte zvlhčovač k vnitřní stěně v blízkosti zásuvky. Nejlepších výsledků dosáhnete se zvlhčovačem nejméně 10 cm od stěny.
5. **VÝSTRAŽNÉ UPOZORNĚNÍ:** Ze zvlhčovače vychází horká pára, a proto by neměl být umístěn v oblasti, která je přístupná dětem. Zvlhčovač nikdy nepoužívejte v uzavřené místnosti. (tj.: když jsou zavřené dveře a okna)
6. **VÝSTRAŽNÉ UPOZORNĚNÍ:** Nepokoušejte se doplňovat zvlhčovač vodou, aniž byste ho odpojili ze zásuvky. Při odpojování uchopte zástrčku, ne kabel.
7. Do otvorů NIKDY neházejte ani nevkládejte žádné předměty. NEPOKLÁDEJTE ruce, obličej ani tělo na nebo do blízkosti výstupu vlhkosti, když je zařízení v provozu. NEZAKRÝVEJTE výstup vlhkosti ani na něj

- nic nepokládejte, když je zařízení v provozu.
8. Zařízení NEPOUŽÍVEJTE, pokud je poškozený kabel nebo zástrčka, pokud zařízení řádně nepracovalo, upadlo anebo bylo jiným způsobem poškozeno. Zařízení zašlete výrobci ke kontrole, seřízení elektrických nebo mechanických částí anebo opravě.

9. Zařízení používejte pouze k účelu v domácnosti dle popisu v tomto návodu. Použití, které výrobce nedoporučuje, může způsobit požár, elektrický šok nebo zranění osob. Použití doplňků, které firma Holmes Group nedoporučuje nebo neprodává, může způsobit riziko.
10. NEPOUŽÍVEJTE venku.
11. Zvlhčovač vždy umíst'ujte na pevný, rovný povrch. Pod zvlhčovač doporučujeme umístit'ovat podložku odolnou proti vodě. NIKDY zvlhčovač nepokládejte na povrch, který by voda nebo vlhkost mohly poškodit (např. leštěná podlaha).
12. NEDOVOLTE, aby výstup vlhkosti směřoval přímo ke zdi. Vlhkost může způsobovat poškození, zvláště tapet.
13. Když není zvlhčovač používán, měl by být odpojen.
14. Během provozu zařízení NIKDY nenaklánějte ani se ho nepokoušejte vyprazdňovat. Před vyjmutím vodní nádrže nebo přemíst'ováním zařízení odpojte ze zásuvky.
15. minut po vypnutí zařízení nebo odpojení ze zásuvky se nepokoušejte vyjmát vodní nádrž. Mohlo by dojít k vážnému zranění. 15. K tomu, aby zvlhčovač řádně pracoval, je třeba pravidelná údržba. Viz postupy při čištění a údržbě.
16. K čištění částí zvlhčovače NIKDY nepoužívejte čisticí prostředky, benzín, čisticidlo na sklo, leštěnku na nábytek, ředidlo barev ani jiná rozpouštědla.
17. Nadměrná vlhkost v místnosti může způsobovat kondenzaci vody na oknech nebo nábytku. Pokud k tomu dojde, zvlhčovač vypněte.
18. Zvlhčovač nepoužívejte tam, kde je úroveň vlhkosti vyšší než 55%.
19. NEPOKOUŠEJTE se opravovat ani seřizovat elektrické ani mechanické části. Vnitřek zvlhčovače neobsahuje žádné uživatelem opravitelné části. Servis musí provádět pouze kvalifikované osoby.
20. Výměnu poškozeného přívodního kabelu musí provádět výrobce, servisní středisko anebo odpovídajícím způsobem kvalifikovaná osoba.

## LASKAVĚ NÁVOD K OBSLUZE USCHOVEJTE Pamatujte, že se jedná o elektrické zařízení, kterému je při použití věnovat pozornost.

### Funkce zvlhčovače s teplou mlhou

Zvlhčovače s teplou mlhou Bionaire™ je zkonstruován tak, aby z nádrže vytékalo a filtrem k čištění vody protékalo správné množství vody. Filtr z vody odstraňuje většinu minerálů a usazenin dříve, než se voda dostane do topné komory, kde elektronicky řízený topný článek vodu ohřívá. Skrze mřížky v zadní části zvlhčovače se nasává vzduch a směšuje se s parou v mlžné komoře. Teplá mlha se poté rozprašuje do místnosti z vrcholu mlžné komory skrze výstupní mřížku.

**POZNÁMKA:** Vlhkost nižší než 30% může být nezdavá a nepříjemná. Doporučená úroveň vlhkosti je 45%-55%.

### POKYNY PŘED PROVOZEM

1. Ujistěte se, že je zvlhčovač vzduchu přepnutý na 0- VYPNUTO, a že jednotka není zapojena do zásuvky.
2. Zvolte místo pro zvlhčovač vzduchu na rovném povrchu, přibližně 10 cm od zdi. NEUMÍSTUJTE zvlhčovač na nábytek. Podlaha, kterou vlhkost nepoškodí, je nejlepším místem.
3. Vyjměte vodní nádrž (viz Obr. 1). Vyjměte filtr k čištění vody a držte ho nejméně 1 minutu pod studenou tekoucí vodou, aby byl dobře namočený. Poté ho vložte do misky na vodu.
4. Vyjměte mlžnou komoru, abyste se ujistili, že v misce na vodu nejsou cizí předměty. Při vyjímání je třeba odsunout bezpečnostní západku (F), která zajišťuje obě části. (Vložte zpět mlžnou komoru nad topný článek a ujistěte se, že je bezpečnostní západka v poloze „LockČ (zámek)

### Plnění vodní nádrže

**POZNÁMKA:** Do nádrže a základny zvlhčovače se vejde přibližně 5,5 litrů vody. Za 24 hodin zvlhčovat vytvoří až 11,5 litrů vlhkosti.

1. Ujistěte se, že je zvlhčovač odpojený ze zásuvky a spínač je v poloze 0 - vypnuto. Vyjměte vodní nádrž.
2. Otáčením doleva odšroubujte víko nádrže, které je umístěno ve spodní části nádrže a naplňte nádrž čerstvou, chladnou vodou. Neplňte teplou vodou, mohlo by docházet k unikání vody.
3. Po naplnění nádrže opět zašroubujte víko otáčením doprava a poté postavte nádrž na základnu. Voda z nádrže začne okamžitě proudit do základny.

4. Zapojte kabel do vhodné zásuvky.

### NÁVOD K OBSLUZE (Viz Obr. 2) DŮLEŽITÉ

Když používáte filtr k čištění vody ve zvlhčovači poprvé anebo po době, kdy nebyl zvlhčovač využíván (tj. 48 hodin), předem filtr na 1 minutu vložte pod studenou tekoucí vodu. Vložte filtr do zvlhčovače a vyčkejte 5 minut, než začne voda protékat. Poté opatrně zvedněte vodní nádrž a zkontrolujte, zda je miska na vodu (D) naplněna vodou do 2/3. Pokud ne, vložte vodní nádrž zpět a vyčkejte dalších 5 minut, aby voda dosáhla požadované úrovně. Zvlhčovač NEZAPÍNEJTE, dokud nebude v miska na vodu naplněná do 2/3.

1. Otočte spínačem do polohy I. Zvlhčovač se zahřeje a začne vytvářet mlhu přibližně za 2-3 minuty.
2. Miska na lék je umístěna na vrcholu mlžné komory. Lék do zvlhčovače nalijte do drážky. Lék NEPŘIDÁVEJTE do vodní nádrže Lék NENALÉVEJTE do misky na lék během provozu zvlhčovače.

### Noční světlo

1. Noční světlo se zapíná otočením knoflíku do polohy ON (zapnuto).
2. Životnost žárovky se maximalizuje, když bude noční světlo během dne zhasnuté.

### NULOVÁNÍ

**POZNÁMKA:** Když je vodní nádrž prázdná a topná komora je téměř bez vody, rozsvítí se červená kontrolka plnění a aktivuje se automatické vypnutí. Jednotka nebude opět pracovat, dokud znovu nenaplníte vodní nádrž a nenastavíte zvlhčovač vzduchu do původního stavu následujícím způsobem.

1. Spínačem otočte doleva do polohy RESET (nulování)
2. Odpojte jednotku ze zásuvky
3. Vyjměte a znovu naplňte vodní nádrž. Umístěte nádrž zpět do základny.
4. Vyčkejte 5 minut na vynulování automatického vypínání.
5. Po 5 minutách zapojte jednotku do zásuvky a otočte spínačem do polohy I. Zvlhčovač vzduchu začne vytvářet vlhkost přibližně za 2-3 minuty.
6. Pokud kontrolka plnění nadále svítí, odpojte zvlhčovač ze zásuvky a vyčkejte dalších 5 minut.

### DŮLEŽITÉ:

Pokud neplánujete zvlhčovač vzduchu používat dva dny nebo déle, zajistěte, aby byl z vodní nádrže a základny vypuštěn zbytek vody, aby se předešlo růstu řas nebo bakterií.

Výměna filtru k čištění vody

Filtr k čištění vody se používá k zachycování minerálů z vody, aby byla vycházející mlha čistá.

Životnost filtru závisí na průměrném každodenním použití zvlhčovače a tvrdosti vody v oblasti, kde žijete.

V oblastech s tvrdou vodou je třeba častější výměna filtru.

Důrazně doporučuje vyměňovat filtr nejméně každé 2-3 měsíce (v závislosti na použití) anebo, když se na topném článku začnou usazovat minerály.

### Postup při výměně filtru:

1. Přepněte spínač do polohy 0 – vypnuto a odpojte ze zásuvky. Vyjměte nádrž a vypusťte vodu ze základny, vytáhněte použitý filtr a vyhod'te ho.
2. Vyjměte nový filtr z ochranného sáčku a 1 minutu ho nechejte pod studenou tekoucí vodou. Vložte namočený filtr do základny (viz Obr. 2) a vložte zpět nádrž. Než zapnete zvlhčovač (spínač v poloze I), vyčkejte nejméně 5 minut, než voda proteče.

### Čištění a údržba

Následující postupy údržby je třeba dodržovat, aby byla zajištěna správná a efektivní činnost zvlhčovače.

Zvlhčovat SELŽE, pokud nebude řádně čištěn. Pravidelným čištěním se předchází nahromadění vodního kamene na topném článku a v misce. Zabraňuje se tím také růstu mikroorganismů v misce a nádrži. Zajišť'uje se tak dosažení maximální efektivnosti.

Řádné čištění je podstatné pro údržbu a stále použití zařízení a k tomu, aby se zabránilo nahromadění řas a bakterií.

### Pravidelná údržba

Četnost údržby závisí na průměrném každodenním použití zvlhčovače a tvrdosti vody v oblasti, kde žijete. Doporučujeme tuto činnost provádět týdně anebo častěji, je-li třeba.

1. Před čištěním nastavte spínač do polohy 0 – vypnuto a odpojte jednotku ze zásuvky.
2. Vyjměte vodní nádrž a poté odblokujte mlžnou komoru otočením bezpečnostní západky. Vytáhněte mlžnou komoru ze

základny a poté misku na vodu.

3. Z misky vylijte vodu a odstraňte minerály, důkladně ji umyjte, abyste odstranili usazeniny a nečistoty.

**POZNÁMKA:** Řádné čištění misky je podstatné. Lze ji snadno umývat v myčce na nádobí (pouze v horní části).

4. Vypláchněte nádrž a znovu ji naplňte čistou studenou vodou.
5. Po vychladnutí otřete topný článek měkkým hadříkem.

**VÝSTRAŽNÉ UPOZORNĚNÍ:** Pokud zůstane mlžná komora ve zvlhčovači, může trvat až hodinu, než topný článek dostatečně vychladne, aby se na něho dalo sáhnout.

Zvlhčovač zahřívá vodu k tvorbě čisté vlhkosti. Některé nečistoty z vody se zachycují v topné komoře. Elektronicky řízený topný článek má teflonový povrch ke snadnému čištění, aby se prodloužila provozní efektivnost zvlhčovače. K čištění topného článku NEPOUŽÍVEJTE kovové ani tvrdé předměty. Nesprávným čištěním může dojít k poškrábání povrchové vrstvy.

K čištění částí zvlhčovače nikdy nepoužívejte čisticí prostředky, benzín, petrolej, čisticí prostředky na sklo, leštěnku na nábytek, ředidlo barev ani jiná rozpouštědla.

### Odstraňování vodního kamene

- Když si povšimnete vodního kamene, je ho třeba odstranit. Doporučujeme používat čisticí prostředek na zvlhčovače Bionaire™ Clean Away.
- Roztok naneste na povrchy plastovým kartáčem. Nechte odmočit, aby se usazeniny uvolnily. K čištění vodní nádrže smíchejte 2 kapsle roztoku se 2 litry vody. Nechejte roztok několik minut stát, po každých pár minutách zamíchejte. Vypusťte roztok a DŮKLADNĚ nádrž VYPLÁCHNĚTE.

### Pokud není čisticí prostředek k dispozici:

1. Proved'te kroky 1-3 z části Údržba.
2. Misku vyčistěte jejím částečným naplněním 200 ml neředěného bílého octa. Pokud je nános na topném článku velký, zapojte zvlhčovač do zásuvky a zapněte maximálně na 15 sekund. Poté zvlhčovač vypněte a odpojte ze zásuvky. Nechejte roztok odstát na 20 minut. Všechny vnitřní části vyčistěte měkkým kartáčem. Navlhčete hadřík neředěným bílým octem a vodní kámen z misky otřete.

- Před dezinfekcí vodní nádrže vypláchněte vodní kámen čistou teplou vodou a roztokem bílého octa.
- Po vypláchnutí topný článek otřete měkkým hadříkem.

#### Dezinfekce nádrže:

- Do nádrže nalijte 1 čajovou lžičku bělicího činidla a 3,5 litru vody.
- Roztok ponechejte působit 20 minut, po pár minutách vždy zamíchejte. Namočte všechny povrchy.
- Po 20 minutách nádrž vyprázdněte a dobře vypláchněte vodou, aby nebylo cítit bělicí činidlo. Vysušte papírovým ubrouskem.
- Znovu naplňte nádrž studenou vodou; zasuňte nádrž zpět. Opět postupujte podle návodu k obsluze.

#### Skladování

Pokud zvlhčovač nebudete používat dva dny nebo déle anebo na konci sezóny, proveďte následující.

- Vyčistěte, vypláchněte a důkladně zvlhčovač vysušte podle pokynů v části Odstraňování vodního kamene. V základně ani v misce NENECHÁVEJTE vodu.
- Vyjměte víko nádrže. Neskladujte s připevněným víkem nádrže.
- Vyjměte a vyhod'te filtr.
- Vložte zvlhčovač do původního obalu a uskladněte v chladu a suchu.
- Před začátkem další sezóny zvlhčovač vyčistěte.
- Před začátkem další sezóny objednejte náhradní filtr.

#### SERVIS

- Nepokoušejte se opravovat ani seřizovat elektrické ani mechanické části. Došlo by ke zrušení platnosti záruky. Vnitřek zvlhčovače neobsahuje žádné uživatelem opravitelné části. Servis musí provádět pouze kvalifikované osoby.
- Přestane-li zvlhčovač pracovat, než se obrátíte na výrobce nebo servisní středisko, nejprve zkontrolujte, zda je funkční pojistka/jistič na rozvodném panelu.
- Pokud je třeba zařízení vyměnit, vraťte ho v původním balení s prodejním dokladem do obchodu, kde jste ho koupili.
- Pokud je třeba provést servis zvlhčovače, obraťte se na místního dealera.

#### DOPLŇKY PRO MODEL BWM5075

- Filtr k čištění vody WMF-50
- K měření teploty a vlhkosti v místnosti doporučujeme používat vlhkoměr/teploměr

- Bionaire™, model č.: BT400.
- Čisticí roztok Bionaire™

#### TECHNICKÁ SPECIFIKACE

Vstupní napětí: 220-240 V~ 50 Hz  
Spotřeba energie: 400 W (max)  
Firma Holmes Group si vyhrazuje právo na změnu nebo modifikaci specifikace bez předběžného upozornění.  
VYROBENO PODLE SMĚRNIC EHS 73/23/EEC a 89/336/EEC.

#### ZÁRUKA

LASKAVĚ SI USCHOVEJTE POKLADNÍ DOKLAD. JE POTŘEBA PŘI UPLATŇOVÁNÍ NÁROKŮ PODLE TÉTO ZÁRUKY.

- Záruka na tento výrobek je 2 roky.
- V případě poruchy laskavě odnese výrobek do prodejny, kde jste ho zakoupili. Předložte také pokladní doklad a tuto záruku.
- Práva a výhody podle této záruky doplňují vaše zákonná práva, která tato záruka neovlivňuje.
- Holmes Products Europe provede zdarma během specifické doby opravu nebo výměnu kterékoliv vadné části zařízení za předpokladu, že:
  - Nás ihned o vadě informujete
  - Na zařízení nebyly provedeny žádné změny ani nebylo používáno nesprávným způsobem anebo opraveno osobou, která nemá oprávnění firmy Holmes Products Europe.
- Žádná práva podle této záruky se neudělují osobě, která získá zařízení použité anebo ke komerčnímu či společnému použití.
- Na opravené nebo vyměněné zařízení se bude vztahovat záruka za těchto podmínek po zbývajícím dobu záruční lhůty.

## ΕΛΛΗΝΙΚΑ

#### Συγχαρητήρια

Επιλέγοντας τη συσκευή διατήρησης υγρασίας τύπου Bionaire™, έχετε επιλέξει μια από τις ωραιότερες συσκευές διατήρησης υγρασίας που κυκλοφορούν σήμερα στην αγορά.

#### ΠΑΡΑΚΑΛΩ ΔΙΑΒΑΣΤΕ ΚΑΙ ΦΥΛΑΞΤΕ ΑΥΤΕΣ ΤΙΣ ΣΗΜΑΝΤΙΚΕΣ ΟΔΗΓΙΕΣ

**ΣΗΜΕΙΩΣΗ:** Προτού διαβάσετε αυτές τις οδηγίες, παρακαλώ αναφερθείτε στις αντίστοιχες απεικονίσεις.

#### Περιγραφές (βλ. Εικόνες 1/2/3)

- Κουμπί Ενέργειας
- Δεξαμενή Νερού
- Φίλτρο Καθαρισμού Νερού
- Δίσκος Νερού
- Θάλαμος Ομίχλης
- Κλειδαριά Ασφάλειας
- Καπάκι Δεξαμενής
- Στοιχείο Θέρμανσης
- Φως Νύχτας

#### ΠΡΟΦΥΛΑΞΕΙΣ ΑΣΦΑΛΕΙΑΣ

Κατά τη χρησιμοποίηση ηλεκτρικών συσκευών, πρέπει πάντα να ακολουθηθούν βασική ασφάλεια προφυλάξεων για να μειώνουν τον κίνδυνο της πυρκαγιάς, της ηλεκτροπληξίας και τραυματισμού σε πρόσωπα, συμπεριλαμβανομένων των εξής:

- Διαβάστε όλες τις οδηγίες προτού χρησιμοποιήσετε τη συσκευή.
- Για να αποφύγετε τον κίνδυνο πυρκαγιάς ή ηλεκτρικό σοκ, συνδέστε τη συσκευή απευθείας σε μια ηλεκτρική παροχή πρίζας και πλήρως να παρεμβάλετε το φως.
- Κρατήστε το καλώδιο μακριά από περιοχές βαριάς κυκλοφορίας. Για να αποφύγετε τον κίνδυνο πυρκαγιάς, μην βάζετε ΠΟΤΕ το καλώδιο κάτω από κουβέρτες, ή κοντινό θερμαντικό σώμα, σόμπες, ή θερμάστρες.
- ΜΗΝ τοποθετείτε τη συσκευή διατήρησης υγρασίας κοντά σε πηγές θερμότητας, όπως σόμπες, θερμαντικά σώματα, και θερμάστρες. Να εντοπίζετε τη συσκευή διατήρησης υγρασίας σας σε εσωτερικό τοίχο πλησίον μιας ηλεκτρικής παροχής πρίζας. Η συσκευή διατήρησης υγρασίας πρέπει να είναι τουλάχιστον 10cm/4" μακριά από τον τοίχο για καλύτερα αποτελέσματα.

- ΠΡΟΕΙΔΟΠΟΙΗΣΗ: Αυτή η συσκευή διατήρησης υγρασίας παράγει καυτό ατμό και, επομένως, δεν πρέπει να τοποθετείται σε μια περιοχή όπου είναι προσιτή στα παιδιά. Μην χρησιμοποιείτε ποτέ μια συσκευή διατήρησης υγρασίας σε ένα κλειστό δωμάτιο (δηλ. κλειστές πόρτες και παράθυρα), επειδή μπορεί να οδηγήσει σε υπερβολική υγρασία.
- ΠΡΟΕΙΔΟΠΟΙΗΣΗ: Μην προσπαθήσετε να ξαναγεμίσετε τη συσκευή διατήρησης υγρασίας χωρίς πρώτα να αποσυνδέσετε τη συσκευή από την ηλεκτρική παροχή πρίζας. Να βεβαιώνετε ότι τραβάτε το φως και όχι το καλώδιο.
- ΠΟΤΕ να μην ρίχνετε και μην παρεμβάλετε οποιοδήποτε αντικείμενο σε οποιαδήποτε ανοίγματα. ΜΗΝ τοποθετείτε τα χέρια, το πρόσωπο, ή το σώμα άμεσα πέρα από ή κοντά στην ηλεκτρική παροχή πρίζας υγρασίας ενώ είναι σε λειτουργία η συσκευή. ΜΗΝ καλύπτετε την Ηλεκτρική Παροχή Πρίζας Υγρασίας ή να τοποθετείτε τίποτα πάνω από αυτή ενώ λειτουργεί η συσκευή.
- ΜΗΝ ενεργοποιείτε οποιαδήποτε συσκευή με χαλασμένο καλώδιο ή φως, με δυσλειτουργίες μετά από τη συσκευή, ή εάν το έχουν ρίξει στο έδαφος με οποιοδήποτε τρόπο. Επιστρέψατε τη συσκευή στον κατασκευαστή για εξέταση, ηλεκτρική ή μηχανική ρύθμιση, ή επισκευή.
- Χρησιμοποιήστε τη συσκευή μόνο για την προοριζόμενη οικιακή χρήση, όπως περιγράφεται σε αυτό το εγχειρίδιο. Οποιαδήποτε άλλη χρήση που δεν συνιστάται από τον κατασκευαστή μπορεί να προκαλέσει πυρκαγιά, ηλεκτροπληξία, ή ζημία έναντι των προσώπων. Η χρήση των συνδέσεων που δεν συστήνονται ή που πωλούνται από την Holmes Group, μπορεί να προκαλέσει κινδύνους.
- ΜΗΝ την χρησιμοποιείται στην ύπαιθρο.
- Πάντα να τοποθετείται την συσκευή διατήρησης υγρασίας πάνω σε σταθερή, επίπεδη, ισόπεδη επιφάνεια. Ένα αδιάβροχο χαλί ή ένα μαξιλάρι συνιστώνται να είναι κάτω από την συσκευή διατήρησης υγρασίας. ΠΟΤΕ να μην την τοποθετείτε σε επιφάνεια που μπορεί να χαλάσει από την έκθεση στο νερό και την υγρασία (δηλ. απολειωμένο πάτωμα).
- ΜΗΝ επιτρέπετε στην ηλεκτρική παροχή πρίζας υγρασίας να είναι άμεσα



αντιμέτωπη στον τοίχο. Η υγρασία θα μπορούσε να προκαλέσει ζημία, ιδιαίτερα στην ταπετοσαρία.

13. Η συσκευή διατήρησης υγρασίας πρέπει να αποσυνδεθεί όταν δεν χρησιμοποιείται.
14. Ποτέ να μην κλίνετε, να κινείτε ή να προσπαθείτε να αδειάζετε τη συσκευή ενώ λειτουργεί. Αποκλείστε και αποσυνδέστε την, προτού αφαιρέσετε τη δεξαμενή νερού και κινήσετε τη συσκευή. ΜΗΝ προσπαθήσετε να αφαιρέσετε το νερό της δεξαμενής μέσα σε 15 λεπτά όταν η συσκευή διατήρησης υγρασίας είναι σβηστή και αποσυνδεδεμένη. Μπορεί να προκληθεί σοβαρή ζημία.
15. Αυτή η συσκευή διατήρησης υγρασίας απαιτεί κανονική συντήρηση για να λειτουργήσει κανονικά. Αναφερθείτε στον καθαρισμό και τις διαδικασίες συντήρησης.
16. ΠΟΤΕ μην χρησιμοποιείτε απορρυπαντικά, βενζίνη, καθαριστή γυαλιού, στιλβωτική ουσία επίπλων, διαλυτικό μπογιάς, ή άλλα οικιακά διαλυτικά για να καθαρίσετε οποιοδήποτε μέρος της συσκευής διατήρησης υγρασίας.
17. Η υπερβολική υγρασία σε ένα δωμάτιο μπορεί να προκαλέσει συμπτώκνωση νερού στα παράθυρα και κάποια έπιπλα. Εάν αυτό πραγματοποιηθεί, ΚΛΕΙΣΤΕ τη συσκευή διατήρησης υγρασίας.
18. ΜΗΝ χρησιμοποιήσετε τη συσκευή διατήρησης υγρασίας σε μια περιοχή όπου το στάθμη υγρασίας είναι παραπάνω από 55%.
19. ΜΗΝ προσπαθήσετε να επισκευάσετε ή να ρυθμίσετε τυχόν ηλεκτρικές ή μηχανικές λειτουργίες σε αυτήν την συσκευή. Το εσωτερικό της συσκευής δεν περιέχει εξυπηρετικά μέρη για τον χρήστη. Όλο το σέρβις πρέπει να διενεργείται από καταρτισμένο προσωπικό μόνο.
20. Εάν το καλώδιο ανεφοδιασμού είναι χαλασμένο, πρέπει να αντικατασταθεί από τον κατασκευαστή ή την υπηρεσία του πράκτορα ή από ένα ανάλογο καταρτισμένο πρόσωπο.

#### ΠΑΡΑΚΑΛΩ ΦΥΛΑΞΤΕ ΑΥΤΕΣ ΤΙΣ ΟΔΗΓΙΕΣ

Παρακαλώ σημειώστε ότι αυτή είναι μια ηλεκτρική συσκευή, και απαιτεί προσοχή όταν βρίσκεται σε χρήση.

Πώς λειτουργεί η Συσκευή Διατήρησης Υγρασίας Θερμής Ομίχλης σας; Η Συσκευή Διατήρησης Υγρασίας Θερμής Ομίχλης Bionaire™ σας έχει σχεδιαστεί για να επιτρέπει στο κατάλληλο ποσό νερού να ρέει από τη δεξαμενή και μέσω του φίλτρου καθαρισμού νερού. Το φίλτρο παίρνει το μεγαλύτερο μέρος των μεταλλευμάτων και του ιζήματος από το νερό προτού από το νερό εισέλθει στον θάλαμο θέρμανσης όπου το στοιχείο θέρμανσης του Ηλεκτρονικού Θερμικού Ελέγχου θερμαίνει το νερό. Ο αέρας μεταφέρεται μέσω των ανοιγμάτων της σχάρας που βρίσκονται στο πίσω μέρος της συσκευής και αναμινύεται με τον ατμό στον θάλαμο ομίχλης. Η θερμή ομίχλη μετά διασκορπίζεται από την κορυφή του θαλάμου ομίχλης μέσω της σχάρας εξόδου και καταλήγει στο δωμάτιο.

**ΣΗΜΕΙΩΣΗ:** Μια στάθμη υγρασίας κάτω από 30% μπορεί να είναι ανθυγιεινή και δυσάρεστη. Η συνιστώμενη στάθμη υγρασίας είναι μεταξύ 45%-55%.

#### ΟΔΗΓΙΕΣ ΠΡΙΝ ΑΠΟ ΤΗ ΛΕΙΤΟΥΡΓΙΑ

1. Να βεβαιώνετε ότι η συσκευή διατήρησης υγρασίας είναι αποσυνδεδεμένη από την ηλεκτρική παροχή πρίζας και ότι το κουμπί ηλεκτρικής ισχύος βρίσκεται στη σβηστή θέση - 0.
2. Επιλέξτε μια θέση για τη συσκευή διατήρησης υγρασίας σας, σε μια επίπεδη επιφάνεια, περίπου 10cm μακριά από τον τοίχο. Μην τοποθετείτε τη συσκευή διατήρησης υγρασίας σας πάνω στα έπιπλα. Μια θέση δαπέδου που δεν έχει υποστεί βλάβη από την υγρασία είναι η καλύτερη.
3. Αφαιρέστε τη δεξαμενή νερού (βλέπε την Εικόνα 1). Αφαιρέστε το Φίλτρο Καθαρισμού νερού, και κρατήστε το κάτω από το μια κρύα τρέχουσα βρύση για τουλάχιστον 1 λεπτό και εξασφαλίστε ότι είναι εξ ολοκλήρου υγρό. Μετά αντικαταστήστε το μέσα στο δίσκο νερού.
4. Σιγουρευτείτε ότι ο δίσκος νερού είναι χωρίς ξένα αντικείμενα με την αφαίρεση του Θαλάμου Ομίχλης. Για να αφαιρέσετε αυτόν τον σωρό, θα πρέπει να κινήσετε την Ασφάλεια Κλειδαριάς (F) που κρατάει και τα δύο μέρη στη θέση τους. (Αντικαταστήστε τον Θάλαμο Ομίχλης πάνω από το στοιχείο θέρμανσης και βεβαιωθείτε ότι το κουμπί της Κλειδαριάς Ασφάλειας είναι στη θέση "Κλειδώματος").

#### Γέμισμα της Δεξαμενής Νερού

**ΣΗΜΕΙΩΣΗ:** Αυτή η συσκευή διατήρησης υγρασίας κρατά περίπου 5,5 λίτρα νερό στη δεξαμενή και στη βάση της συσκευής διατήρησης υγρασίας. Η συσκευή διατήρησης υγρασίας θα παραγάγει μέχρι 11,5 λίτρα υγρασίας κατά τη διάρκεια μιας εικοσιτετράωρης περιόδου.

1. Να βεβαιώνετε ότι η συσκευή διατήρησης υγρασίας είναι αποσυνδεδεμένη από την ηλεκτρική παροχή πρίζας και το κουμπί ηλεκτρικής ισχύος είναι στη σβηστή θέση - 0. Αφαιρέστε τη δεξαμενή νερού.
2. Συστρέψατε το πόμολο της δεξαμενής, που βρίσκεται στο κατώτατο σημείο της δεξαμενής με στρίβοντας αριστερόστροφα και γεμίστε τη δεξαμενή νερού με το δροσερό, γλυκό νερό. Να μην το γεμίζετε με ζεστό νερό γιατί μπορεί να προκαλέσει διαρροή.
3. Μετά από το γέμισμα της δεξαμενής, αντικαταστήστε το πόμολο της δεξαμενής σταθερά γυρίζοντάς το δεξιόστροφα και αντικαταστήστε μετά τη δεξαμενή νερού στη βάση. Η δεξαμενή αμέσως θα αρχίσει να αδειάζει στη βάση.
4. Συνδέστε το καλώδιο ηλεκτρικής ενέργειας με μια κατάλληλη και βολική παροχή ηλεκτρικού ρεύματος.

#### ΟΔΗΓΙΕΣ ΛΕΙΤΟΥΡΓΙΑΣ (βλ. Εικόνα 2)

##### ΠΡΟΣΟΧΗ

Κατά τη χρησιμοποίηση του φίλτρου του καθαρισμού νερού στη συσκευή διατήρησης υγρασίας για πρώτη φορά, ή μετά από μια περίοδο η μη χρήση (δηλ. 48 ώρες), μουσκέψετε προηγουμένως το φίλτρο κάτω από μια κρύα τρέχουσα βρύση για 1 λεπτό. Αντικαταστήστε το φίλτρο μέσα στη συσκευή και αφήστε το 5 λεπτά έτσι ώστε το νερό να περάσει. Μετά, προσεκτικά ανυψώστε τη δεξαμενή νερού και ελέγξατε εάν ο δίσκος νερού (D) είναι 2/3 σύνολο νερού. Αν όχι, αντικαταστήστε τη δεξαμενή νερού και περιμένετε περαιτέρω 5 λεπτά μέχρις ότου το νερό φθάσει στην επιθυμητή στάθμη. ΜΗΝ ανάψετε τη συσκευή διατήρησης υγρασίας μέχρις ότου ο δίσκος νερού διαθέτει το 2/3 νερού.

1. Γυρίστε το κουμπί ηλεκτρικής ισχύος στη θέση I. Είναι κανονικό για τη συσκευή διατήρησης υγρασίας να πάρει περίπου 2-3 λεπτά για να θερμάνει και να αρχίσει να γίνεται ομίχλη.
2. Το Ιατρικό Φλιτζάνι βρίσκεται στην

κορυφή του θαλάμου ομίχλης. Για να το χρησιμοποιήσετε, ρίξτε μερικό φάρμακο της συσκευής διατήρησης υγρασίας στο αυλάκι. ΜΗΝ προσθέσετε το φάρμακο στη δεξαμενή νερού. ΜΗΝ προσθέσετε το φάρμακο στο Ιατρικό Φλιτζάνι όταν η συσκευή λειτουργεί ήδη.

#### Φως της Νύχτας

1. Για να ενεργοποιήσετε το φως της νύχτας, κινήστε το κουμπί προς την επάνω θέση
2. Για να μεγιστοποιήσετε τη ζωή της λάμπας, να σβήνετε το φως της νύχτας κατά τη διάρκεια της ημέρας

#### ΔΙΑΔΙΚΑΣΙΑ ΕΠΑΝΑΡΥΘΜΙΣΗΣ

**ΣΗΜΕΙΩΣΗ:** Όταν η δεξαμενή νερού είναι κενή και το νερό στο θάλαμο θέρμανσης είναι σχεδόν κενό, το φως ξαναγεμίματος (κόκκινο) θα φωτίσει και το Αυτόματο Κλείσιμο θα ενεργοποιηθεί. Η συσκευή δεν θα λειτουργήσει ξανά έως ότου ξαναγεμίσετε τη δεξαμενή νερού και επανατοποθετήσετε ρυθμίσετε τη συσκευή διατήρησης υγρασίας.

1. Γυρίστε το κουμπί ηλεκτρικής ισχύος αριστερόστροφα προς την ΕΠΑΝΑΤΟΠΟΘΕΤΗΣΗ (RESET).
2. Αποσυνδέστε τη συσκευή.
3. Αφαιρέστε και ξαναγεμίστε τη δεξαμενή νερού. Αντικαταστήστε τη δεξαμενή επάνω στη βάση.
4. Περιμένετε 5 λεπτά για το Αυτόματο Κλείσιμο για να κάνετε επανατοποθέτηση.
5. Μετά από τα 5 λεπτά, συνδέστε στη συσκευή και στρίψτε το Κουμπί Ηλεκτρικής Ισχύος στο I. Σε περίπου 2-3 λεπτά, η συσκευή διατήρησης υγρασίας θα αρχίσει να παράγει υγρασία.
6. Εάν το φως ξαναγεμίματος εξακολουθήσει να παραμένει αναμμένο, αποσυνδέστε τη συσκευή διατήρησης υγρασίας και περιμένετε ακόμη 5 λεπτά.

#### ΠΡΟΣΟΧΗ:

Εάν δεν προγραμματίζετε να χρησιμοποιήσετε τη συσκευή διατήρησης υγρασίας για δύο ή περισσότερες ημέρες, βεβαιωθείτε ότι το τυχόν υπόλοιπο νερό αφαιρείται από τη δεξαμενή νερού και από τη βάση που αποτρέπουν την αύξηση αλγών ή βακτηριδίων.

**Αντικατάσταση του Φίλτρου Καθαρισμού Νερού**

Το φίλτρο καθαρισμού νερού χρησιμοποιείται για να διατηρεί μέταλλα στο νερό σας και να παρέχει παραγωγή καθαρής υγρασίας. Η ζωή του φίλτρου καθορίζεται από τη μέση καθημερινή χρήση της συσκευής διατήρησης υγρασίας σας και τη σκληρότητα του νερού στην περιοχή σας. Περιοχές με σκληρό νερό θα απαιτεί συχνότερη αντικατάσταση του φίλτρου. Συνιστάται ιδιαίτερα, το φίλτρο να αντικαθίσταται τουλάχιστον κάθε 2-3 μήνες (ανάλογα με τη χρήση) ή όταν αρχίζει το στοιχείο θέρμανσης να συλλέγει μέταλλα σε αυτό.

**Για να Αντικαταστήσετε το Φίλτρο:**

1. Σβήστε τη συσκευή διατήρησης υγρασίας στο 0 και βγάλτε την πρίζα. Αφαιρέστε τη δεξαμενή, στραγγίξτε τυχόν νερό από τη βάση, σκώστε το χρησιμοποιημένο φίλτρο, και το πετάξτε το.
2. Αφαιρέστε την προστατευτική τσάντα από το νέο φίλτρο και βρέξτε το φίλτρο προκαταρκτικά κάτω από μια βρύση με κρύο τρεχούμενο νερό για 1 λεπτό. Τοποθετήστε το μουςκεμένο φίλτρο μέσα στη βάση (βλ. Εικόνα 2) και αντικαταστήστε τη δεξαμενή αφήνοντας το νερό για τουλάχιστον 5 λεπτά να περάσει πριν να ανάψετε τη συσκευή (I).

**Οδηγία Καθαρισμού και Συντήρησης**

Οι ακόλουθες διαδικασίες συντήρησης πρέπει να είναι τηρούνται συνήθως προκειμένου να εξασφαλίζεται η κατάλληλη, αποδοτική λειτουργία της συσκευής διατήρησης υγρασίας σας. Η συσκευή ΘΑ ΑΠΟΤΥΧΕΙ εάν δεν καθαρίζεται κανονικά. Ο ταχτικός καθαρισμός αποτρέπει τη συγκέντρωση κλίμακας στο στοιχείο θέρμανσης και στον δίσκο. Αποτρέπει επίσης τους μικροοργανισμούς να αναπτύσσονται στο δίσκο και τη δεξαμενή. Αυτό εξασφαλίζει την επίτευξη μέγιστης αποδοτικότητας. Δεν μπορούμε να δίνουμε υπερβολική έμφαση στο πόσο σημαντικό είναι ο κατάλληλος ο καθαρισμός είναι για τη συντήρηση και τη συνεχή χρήση από τη συσκευή σας και την αποφυγή συγκέντρωσης αλγών ή βακτηριδίων.

**Ταχτική Συντήρηση**

Η συχνότητα της συντήρησης θα εξαρτηθεί από το μέσο όρο καθημερινής χρήσης της συσκευής διατήρησης υγρασίας σας και της σκληρότητας του νερού της περιοχής σας.

Συστήνεται όπως αυτή η διαδικασία πραγματοποιείται εβδομαδιαία ή περισσότερο τακτικά εάν είναι απαραίτητο.

1. Προτού καθαρίσετε, θέστε τον έλεγχο στη σβηστή θέση 0 και αποσυνδέστε τη συσκευή από την ηλεκτρική παροχή πρίζας.
2. Αφαιρέστε τη δεξαμενή νερού, μετά ξεκλειδώστε τον θάλαμο ομίχλης με την περιστροφή της κλειδαριάς ασφάλειας. Ανασηκώστε τον θάλαμο ομίχλης από τη βάση της συσκευής. Τώρα ανυψώστε το δίσκο από τη βάση.
3. Αδειάστε το νερό και τα μέταλλα από το δίσκο και πλύνετε το καλά για να αφαιρέσει τυχόν ίζημα και ρύπους που έχει συσσωρευτεί πάνω στο δίσκο. ΣΗΜΕΙΩΣΗ: Είναι επιτακτικό όπως ο δίσκος καθαρίζεται κανονικά. Ο δίσκος είναι ασφαλής για πλυντήρια πιάτων για εύκολο καθαρισμό (το κορυφαίο ράφι του πλυντηρίου πιάτων μόνο).
4. Ξεπλύνετε δεξαμενή προς τα έξω και ξαναγεμίστε την με καθαρό δροσερό νερό.
5. Σκουπίστε το στοιχείο θέρμανσης με ένα μαλακό ύφασμα αφότου είχε την ευκαιρία να κρυώσει.

**ΠΡΟΕΙΔΟΠΟΙΗΣΗ:** Εάν ο θάλαμος ομίχλης αφέθηκε συναρμολογημένος στη συσκευή διατήρησης υγρασίας, μπορεί να πάρει μέχρι μία ώρα προτού το στοιχείο θέρμανσης ένα είναι αρκετά κρύο για να μπορείτε να το αγγίξετε. Αυτή η συσκευή διατήρησης υγρασίας θερμαίνει το νερό δημιουργώντας μια καθαρή υγρασία. Μερικές από τις ακαθαρσίες από το νερό συλλέγονται στο θάλαμο θέρμανσης. Το Ηλεκτρονικό Θερμικό Στοιχείο Θέρμανσης Ελέγχου είναι ευθυγραμμισμένο με ένα Τεφλόν επίστρωμα που σχεδιάστηκε για να παρέχει ευκολότερο καθαρισμό για να παρατείνει τη λειτουργούσα αποδοτικότητα της συσκευής διατήρησης υγρασίας. ΜΗΝ χρησιμοποιείτε μέταλλο ή σκληρά αντικείμενα για να καθαρίσετε το Στοιχείο Θέρμανσης. Το επίστρωμα μπορεί να γρατσουνιστεί εάν καθαρίζεται λανθασμένα. Ποτέ να μην χρησιμοποιείτε απορροπαντικά, βενζίνη, κηροζίνη, γυαλί καθαριστή, σιλβωτική ουσία επίπλων, διαλυτικό μπουγιές ή άλλο οικιακό διάλυμα για να καθαρίσετε οποιοδήποτε μέρος της συσκευής διατήρησης υγρασίας.

**Συντήρηση από Ξελέπιμα**

Τα λέπια πρέπει να αφαιρούνται γιατί φαίνονται. Συστήνουμε τη χρήση καθαρτικού διαλύματος της Συσκευής διατήρησης υγρασίας Bionaire™. Εφαρμόστε Διάλυμα με μια πλαστική βούρτσα στις επιφάνειες των λεπιών. Αφήστε το να μουσκέψει έως ότου μαλακώσει το υπόλειμμα.

Για τον καθαρισμό της δεξαμενής, αναμίξτε 2 κάψουλες διαλύματος με 2 λίτρα νερού. Αφήστε το μίγμα να σταθεί για μερικά λεπτά, αλλάζοντάς το κάθε λίγα λεπτά. Αποστραγγίστε το διάλυμα και ΞΕΠΛΥΝΕΤΕ ΛΕΠΤΟΜΕΡΩΣ τη δεξαμενή.

**Εάν δεν διατίθεται, ακολουθήστε αυτές τις οδηγίες:**

1. Επαναλάβετε τα βήματα 1-3 στο μέρος Συντήρησης.
2. Καθαρίστε το δίσκο, μερικώς γεμίζοντας το δίσκο με 200ml αδιάλυτου άσπρου ξιδιού. Εάν το στοιχείο ξελεπιάζεται βαριά, συνδέστε τη συσκευή διατήρησης υγρασίας σε μια ηλεκτρική υποδοχή και ΑΝΑΨΤΕ τον όχι περισσότερο από 15 δευτερόλεπτα. Μετά από την λήξη αυτής της περιόδου, ΣΒΗΣΤΕ τη συσκευή διατήρησης υγρασίας και αποσυνδέει την από την ηλεκτρική πρίζα. Αφήστε το διάλυμα να σταθεί για 20 λεπτά, καθαρίζοντας όλες τις εσωτερικές επιφάνειες με μια μαλακή βούρτσα. Μουσκέψτε το ύφασμα με αδιάλυτο άσπρο ξίδι και σκουπίστε ολόκληρο το δίσκο για να αφαιρέσετε τα λέπια.
3. Ξεπλύνετε με το καθαρό ζεστό νερό για να αφαιρέσετε τα λέπια και το άσπρο διάλυμα του ξιδιού προτού αρχίσετε να απολυμαίνετε τη δεξαμενή.
4. Σκουπίστε το στοιχείο θέρμανσης καθαρίζοντάς το με ένα μαλακό ύφασμα αφότου πρώτα είχε κρυώσει.

**Απολυμάνετε τη δεξαμενή:**

1. Γεμίστε τη δεξαμενή με 1 κουταλάκι του γλυκού χλωρίνης και 3,5 λίτρα νερού.
2. Αφήστε το διάλυμα να σταθεί για 20 λεπτά, αλλάζοντας κάθε λίγα λεπτά. Βρέξτε όλες τις επιφάνειες.
3. Αδειάστε τη δεξαμενή μετά από 20 λεπτά, και ξεπλύνετε την καλά με νερό μέχρις ότου φύγει η μυρωδιά της χλωρίνης. Στεγνώστε την με μια χάρτινη πετσέτα.
4. Ξαναγεμίστε τη δεξαμενή νερού με κρύο

νερό, αντικαταστήστε τη δεξαμενή νερού. Επαναλάβετε τις Οδηγίες Λειτουργίας.

**Οδηγίες Αποθήκευσης**

Εάν η συσκευή διατήρησης υγρασίας σας δεν θα είναι σε χρήση για δύο ημέρες ή περισσότερο, ή βρίσκεται στο τέλος της εποχής, ακολουθήστε αυτές τις οδηγίες.

1. Καθαρίστε, ξεπλύνετε και στεγνώστε καλά τη συσκευή διατήρησης υγρασίας, όπως αναφέρεται στο μέρος Συντήρησης Αφαίρεσης Λεπιών. ΜΗΝ αφήνετε οποιοδήποτε νερό μέσα στη βάση ή τον δίσκο.
2. Αφαιρέστε το καπάκι της δεξαμενής. Μην αποθηκεύετε με το καπάκι της δεξαμενής στη θέση του.
3. Αφαιρέστε και πετάξτε το φίλτρο
4. Τοποθετήστε τη συσκευή διατήρησης υγρασίας στο αρχικό χαρτοκιβώτιο και αποθηκεύστε την σε μια δροσερή, ξηρά θέση.
5. Καθαρίστε τη συσκευή διατήρησης υγρασίας πριν από την έναρξη της επόμενης εποχής.
6. Παραγγείλατε ένα φίλτρο αντικατάστασης για να αρχίσετε την επόμενη εποχή.

**ΟΔΗΓΙΕΣ ΣΕΡΒΙΣ**

1. ΜΗΝ προσπαθήσετε να επισκευάσετε ή να ρυθμίσετε τυχόν ηλεκτρικές ή μηχανικές λειτουργίες σε αυτήν την συσκευή. Αν το κάνετε αυτό, θα χάσετε την εγγύηση. Τα εσωτερικά της συσκευής δεν περιέχουν κανένα ανταλλακτικό σέρβις για τον χρήστη. Μόνο το καταρτισμένο προσωπικό να εκτελεί όλο το σέρβις.
2. Εάν η συσκευή σταματήσει να λειτουργεί, πρώτα ελέγξτε την ασφάλεια στο φιν (μόνο στο ΗΒ) ή τον διακόπτη της ασφάλειας / κυκλώματος στον πίνακα διανομής να λειτουργεί, προτού έρθετε σε επαφή με τον κατασκευαστή ή τον αντιπρόσωπο του σέρβις.
3. Εάν πρέπει να ανταλλάξετε τη συσκευή, παρακαλώ επιστρέψτε την μέσα στο αρχικό χαρτοκιβώτιό της, με την απόδειξη πωλήσεως, από το κατάστημα όπου την αγοράσατε.
4. Εάν η συσκευή διατήρησης υγρασίας σας, χρειαστεί σέρβις, παρακαλώ ελάτε σε επαφή με τον τοπικό σας αντιπρόσωπο.

**ΕΞΑΡΤΗΜΑΤΑ ΓΙΑ ΤΟ ΜΟΝΤΕΛΟ BWM5075**

- ≡ WMF-50 Φίλτρο Καθαρισμού Νερού
- ≡ Συστήνουμε τη χρήση ενός Bionaire™ / Υγρόμετρο / Θερμόμετρο, μοντέλο HO: BT400, να διαβάζει εσωτερική θερμοκρασία δωματίου και στάθμη υγρασίας.
- ≡ Διάλυμα Καθαρισμού Bionaire™

**ΤΕΧΝΙΚΕΣ ΠΡΟΔΙΑΓΡΑΦΕΣ**

Τάση ηλεκτρικής εισαγωγής:  
220-240 V~ 50 Hz  
Κατανάλωση ηλεκτρικής ισχύος:  
400 Βατ (ανώτατο)

Η Holmes Group διατηρεί το δικαίωμα να αλλάξει ή να τροποποιήσει οποιοδήποτε προδιαγραφές χωρίς καμία ειδοποίηση.

ΑΥΤΟ ΤΟ ΠΡΟΪΟΝ ΚΑΤΑΣΚΕΥΑΖΕΤΑΙ ΓΙΑ ΝΑ ΣΥΜΜΟΡΦΩΝΕΤΑΙ ΜΕ ΤΙΣ ΟΔΗΓΙΕΣ ΤΗΣ ΕΟΚ 73/23/ΕΟΚ και 89/336/ΕΟΚ.

**ΕΓΓΥΗΣΗ**

ΠΑΡΑΚΑΛΩ ΦΥΛΑΞΤΕ ΤΗΝ ΑΠΟΔΕΙΞΗ ΣΑΣ ΓΙΑΤΙ ΜΠΟΡΕΙ ΝΑ ΣΑΣ ΧΡΕΙΑΣΤΕΙ ΓΙΑ ΤΥΧΟΝ ΑΠΑΙΤΗΣΕΙΣ ΒΑΣΕΙ ΤΗΣ ΠΑΡΟΥΣΑΣ ΕΓΓΥΗΣΗΣ.

- Το προϊόν αυτό είναι εγγυημένο για 2 χρόνια.
- Σε περίπτωση περίπτωση μηχανικής βλάβης, παρακαλώ πάρτε τη συσκευή σας στον τόπο που την αγοράσατε μαζί με την απόδειξη ταμείου και αντίγραφο της παρούσας εγγύησης.
- Τα δικαιώματα και τα πλεονεκτήματα βάσει της παρούσας εγγύησης είναι επιπρόσθετα εκείνων των θεσμικών σας δικαιωμάτων που δεν επηρεάζονται από την παρούσα εγγύηση.
- Η εταιρεία Θομντ Πσοδφγυτ Εφοσπε αναλαμβάνει εντός της καθορισμένης περιόδου, να επισκευάσει ή να αντικαταστήσει δωρεάν τυχόν ανταλλακτικά της συσκευής που βρέθηκαν ελαττωματικά, νοουμένου ότι:
  - Έχουμε έγκαιρα πληροφορηθεί για το ελαττωματικό μέρος.
  - Η συσκευή δεν έχει αλλοιωθεί καθ' οιονδήποτε τρόπο ή έχει υποστεί κακή χρήση ή επισκευή από πρόσωπο εκτός του εξουσιοδοτημένου της Θομντ Πσοδφγυτ Εφοσπε.
- Δεν παραχωρούνται δικαιώματα βάσει της παρούσας εγγύησης σε πρόσωπο που απέκτησε τη συσκευή μεταχειρισμένη ή για εμπορική ή κοινοτική χρήση.
- Τυχόν συσκευή που έχει επισκευαστεί ή αντικατασταθεί θα εγγυάται βάσει αυτών των όρων για το υπόλοιπο χρονικό διάστημα της εγγύησης.

**POLSKI****Gratulacje**

Dokonując zakupu nawilżacza Bionaire™ wybrali Państwo jedno z najlepszych tego typu urządzeń dostępnych obecnie na rynku.

**PROSIMY INSTRUKCJĘ PRZECZYTAĆ I ZACHOWAĆ.**

**UWAGA:** przed zapoznaniem się z treścią instrukcji prosimy rozłożyć ostatnią stronę, na której znajdują się ilustracje odpowiadające poszczególnym opisom.

**Opisy (zob. rys. 1/2/3)**

- a. Przełącznik mocy
- b. Zbiornik na wodę
- c. Filtr wody
- d. Tacka na wodę
- e. Komora wytwarzająca mgiełkę wodną
- f. Zamek
- g. Nakrętka zbiornika
- h. Element grzewczy

**ŚRODKI OSTROŻNOŚCI**

Przy korzystaniu ze sprzętu elektrycznego należy przestrzegać podstawowych zasad bezpieczeństwa w celu zmniejszenia ryzyka pożaru, porażenia prądem lub obrażeń ciała:

1. Przed włączeniem urządzenia należy dokładnie zapoznać się z treścią instrukcji.
2. Aby wyeliminować ryzyko zaprószenia ognia lub porażenia prądem należy włączyć nawilżacz bezpośrednio do gniazdka i pamiętać o dokładnym wetknięciu wtyczki do gniazda. NIE stosować przedłużacza.
3. Sznur powinien znajdować się z dala od miejsc, w których panuje duży ruch. Aby zapobiec zaprószeniu ognia, W ŻADNYM WYPADKU nie należy układać przewodu pod dywanem ani w pobliżu kaloryfera, pieca czy grzejnika.
4. Nawilżacza NIE NALEŻY stawiać w pobliżu źródeł ciepła takich jak piece, kaloryfery czy grzejniki. Nawilżacz można ustawiać przy wewnętrznej ścianie w pobliżu gniazdka. Urządzenie powinno znajdować się w odległości co najmniej 10cm od ściany.
5. W ŻADNYM WYPADKU nie należy ustawiać nawilżacza w miejscu, do którego mają dostęp dzieci. W ŻADNYM WYPADKU nie należy włączać nawilżacza w zamkniętych pomieszczeniach, szczególnie tam, gdzie śpią, odpoczywają lub bawią się małe dzieci (w zamkniętych pomieszczeniach może wytworzyć się nadmierna wilgotność).
6. UWAGA: przed napełnianiem nawilżacza należy zawsze wyłączyć go z sieci.

Nieprzestrzeganie tej zasady może spowodować obrażenia ciała. Aby wyłączyć urządzenie z sieci należy ciągnąć za wtyczkę a nie za przewód.

7. W ŻADNYM WYPADKU nie należy wkładać żadnych przedmiotów do otworów w nawilżaczu. NIE zbliżać rąk, twarzy ani innych części ciała do wylotu wilgoci przy włączonym urządzeniu. NIE przykrywać wylotu wilgoci przy włączonym urządzeniu.
8. NIE włączać urządzenia, jeżeli przewód lub wtyczka są uszkodzone. Nie włączać urządzenia, jeżeli nie działa prawidłowo lub jeżeli spadło na ziemię lub zostało uszkodzone. Odesłać urządzenie do producenta w celu sprawdzenia, wyregulowania elementów elektrycznych lub mechanicznych lub dokonania naprawy.
9. Nawilżacz przeznaczony jest wyłącznie do użytku domowego. Stosowanie akcesoriów nie zalecanych lub nie sprzedawanych przez The Holmes Group grozi niebezpieczeństwem.
10. Urządzenia NIE NALEŻY używać na wolnym powietrzu.
11. Nawilżacz należy ustawiać na twardej, płaskiej, równej powierzchni. Zaleca się stawianie nawilżacza na wodoodpornej podkładce. W ŻADNYM WYPADKU nie należy ustawiać nawilżacza na dywanie, wykładzinie lub na parkiecie, które mogą ulec zniszczeniu pod wpływem wody lub wilgoci.
12. Wylot wilgoci NIE POWINIEN być skierowany w stronę ściany. Wilgoć może spowodować uszkodzenia tapety itp.
13. Jeżeli nawilżacza się nie używa, należy wyłączyć go z sieci.
14. W ŻADNYM WYPADKU nie należy przechylać, przesuwać ani opróżniać urządzenia podczas pracy. Przed opróżnianiem zbiornika lub przesuwaniem nawilżacza należy urządzenie wyłączyć z sieci. Zbiornik na wodę należy wyjmować DOPIERO po upływie 15 minut od wyłączenia nawilżacza z sieci. Nieprzestrzeganie tej zasady może spowodować poważne obrażenia ciała.
15. Dla zagwarantowania sprawnego działania nawilżacz wymaga codziennej i cotygodniowej konserwacji. Sposób przeprowadzania konserwacji przedstawiony jest w części poświęconej codziennemu i cotygodniowemu czyszczeniu urządzenia.
16. W ŻADNYM WYPADKU do czyszczenia nawilżacza nie należy używać detergentów, benzyny, płynów do czyszczenia szkła, politory ani rozcieńczalników.
17. Nadmierna wilgotność w pomieszczeniu może spowodować skraplanie się wody na szybach i meblach. W takiej sytuacji nawilżacz należy WYŁĄCZYĆ.
18. Nawilżacza nie należy używać w pomieszczeniach, w których poziom wilgotności przekracza 55%.
19. NIE NALEŻY samodzielnie dokonywać napraw ani regulacji funkcji elektrycznych lub mechanicznych urządzenia. Nie należy samemu dokonywać napraw żadnych części urządzenia. Wszystkich napraw powinni dokonywać wyłącznie wykwalifikowani pracownicy serwisu.
20. W przypadku uszkodzenia kabla zasilającego dostarczyć urządzenie producentowi, jego agentowi albo odpowiedniemu zakładowi naprawczemu w celu przeprowadzenia naprawy albo wymiany.

**SPOSÓB DZIAŁANIA NAWILŻACZA**

Konstrukcja nawilżacza Bionaire™ umożliwia wypływ odpowiedniej ilości wody ze zbiornika przez filtr. Po oczyszczeniu wody z soli mineralnych i osadu przez filtr, woda dostaje się do komory grzewczej. W komorze element grzewczy o elektronicznej regulacji temperatury ogrzewa wodę. Powietrze zostaje wciągnięte przez otwory w kratce znajdującej się z tyłu urządzenia i wymieszane z parą w komorze wytwarzającej mgiełkę wodną. Ciepła mgiełka jest następnie odprowadzana z górnej części komory przez kratkę wylotową i rozprowadzana w pomieszczeniu.

**INSTRUKCJĘ NALEŻY ZACHOWAĆ**

Urządzenie elektryczne wymagające nadzoru podczas pracy.

**UWAGA:** poziom wilgotności poniżej 20% może być niezdrowy i nieprzyjemny. Zalecany poziom wilgotności powietrza wynosi 40%-50%.

**PRZED WŁĄCZENIEM NAWILŻACZA**

1. Sprawdzić, czy nawilżacz jest wyłączony z sieci i czy lampka zasilania jest zgaszona.
2. Wybrać miejsce dla nawilżacza na płaskiej powierzchni, w odległości około 10cm od ściany. Nie ustawiać nawilżacza na meblach. Najlepiej ustawiać nawilżacz na podłodze, która nie ulegnie zniszczeniu pod wpływem wilgoci.
3. Wyjąć zbiornik na wodę (zob. rys. 1). W tym celu należy przytrzymać uchwyt zbiornika i wyciągnąć zbiornik do góry. Wyjąć filtr i zdjąć plastikowy worek z filtra.

**NAPEŁNIANIE ZBIORNIKA NA WODĘ**

**UWAGA:** w zbiorniku i podstawie nawilżacza mieści się około 7.5 litra wody. Nawilżacz wytwarza do 11.5 litrów wilgoci w ciągu doby, w zależności od poziomu wilgotności i temperatury panujących w pomieszczeniu.

1. Sprawdzić, czy nawilżacz jest wyłączony z sieci i czy lampka zasilania jest zgaszona. Wyjąć zbiornik na wodę.

- Odkręcić nakrętkę zbiornika na wodę na spodzie zbiornika przekręcając ją w kierunku przeciwnym do ruchu wskazówek zegara i napęlnić zbiornik chłodną, świeżą wodą. Nie napęlniać nawilżacza ciepłą wodą, ponieważ mogłoby to spowodować wyciek.
- Po napęlnieniu zbiornika ponownie zamocować nakrętkę przekręcając ją mocno w kierunku zgodnym z ruchem wskazówek zegara (do wyjmowania zbiornika ze zlewu służy uchwyt znajdujący się na spodzie) a następnie z powrotem ustawić zbiornik na podstawie. Woda ze zbiornika od razu zacznie spływać do podstawy.
- Włączyć przewód do gniazdka.

#### INSTRUKCJA OBSŁUGI (zob. rys. 2)

##### UWAGA:

Przy korzystaniu z filtra do oczyszczania wody po raz pierwszy należy przed włączeniem urządzenia odczekać 15 minut aż woda przepłynie przez filtr.

- Ustawić przełącznik mocy w pozycji 1. Nawilżacz na ogół nagrzewa się przez 2-3 minuty zanim zacznie wytwarzać mgiełkę.
- Pojemnik na środek leczniczy znajduje się w górnej części komory wytwarzającej mgiełkę wodną. Środek leczniczy należy wlać do rowka. NIE wlewać środka leczniczego do pojemniczka przy włączonym urządzeniu.

##### Lampka nocna.

- W celu włączenia lampki nocnej, ustaw pokrętkę włącznika na pozycję "ON".
- W celu maksymalnego przedłużenia żywotności żarówki w lampce nocnej, podczas dnia lampka nocna powinna być wyłączona.

##### WYZEROWANIE

**UWAGA:** kiedy zbiornik na wodę jest całkowicie opróżniony, a w komorze grzewczej nie ma już prawie wody, włączy się automatyczny wyłącznik. Urządzenie nie będzie działać, dopóki nie napęlni się zbiornika i nie wyzeruje nawilżacza.

- Przekręcić przełącznik mocy do pozycji 0.
- Wyłączyć urządzenie z sieci.
- Wyjąć i napęlnić zbiornik na wodę postępując zgodnie ze wskazówkami podanymi w części poświęconej codziennej konserwacji nawilżacza. Ponownie ustawić zbiornik na podstawie.
- Odczekać 5 minut aż automatyczny wyłącznik się wyzeruje.
- Po 5 minutach włączyć urządzenie do sieci i przekręcić przełącznik mocy do pozycji 1. Po upływie 2-3 minut nawilżacz zacznie wytwarzać mgiełkę wodną.

##### WYMIANA FILTRA

Filtr do oczyszczania wody służy do zatrzymywania soli mineralnych w wodzie i do dostarczania czystej mgiełki wodnej. Okres

trwałości filtra zależy od przeciętnego codziennego użycia nawilżacza i od twardości wody. W rejonach z twardą wodą wymiany filtra należy dokonywać częściej. Filtr należy wymieniać co najmniej co 2-3 miesiące (w zależności od częstotliwości używania) lub gdy na elemencie grzejnym zaczną osadzać się sole mineralne.

##### Sposób wymiany filtra:

- Wyłączyć nawilżacz z sieci. Wyjąć zbiornik na wodę, opróżnić podstawę, wyjąć zużyty filtr i wyrzucić.
- Zdjąć worek ochronny z nowego filtra i zainstalować filtr na podstawie (zob. rys. 2). Ponownie ustawić zbiornik i włączyć urządzenie do sieci. Przy korzystaniu z filtra w nawilżaczu po raz pierwszy należy przed włączeniem nawilżacza odczekać 15 minut aż woda przepłynie przez filtr.

##### Konserwacja codzienna:

- Przed przystąpieniem do czyszczenia należy ustawić regulator w pozycji 0 i wyłączyć urządzenie z sieci.
- Wyjąć zbiornik na wodę a następnie obracając zamek otworzyć komorę wytwarzającą mgiełkę wodną. Wyjąć komorę z podstawy urządzenia. Wyjąć tackę z podstawy.
- Wylać wodę i sole mineralne z tacki i umieścić tackę w górnym koszu zmywarki do naczyń. W ten sposób oczyści się tackę z osadu i zanieczyszczeń, jakie się na niej nagromadziły.  
**UWAGA:** Bardzo istotne jest prawidłowe czyszczenie tacki. Tackę można myć w zmywarce do naczyń.
- Wypłukać zbiornik na wodę i ponownie napęlnić czystą chłodną wodą.
- Kiedy element grzewczy ostygnie, przetrzeć go miękką ściereczką.

Zalecane jest używanie „Bonaire™ Clean away” – środka do czyszczenia nawilżaczy powietrza. Używając plastikowej szczotki należy nanieść środek na zakamienione powierzchnie. Pozostawić go tam tak długo, aż osad zmięknie. W celu umycia zbiornika na wodę, należy wymieszać w zbiorniku 2 kapsułki środka z 2 litrami wody. Pozostawić roztwór w zbiorniku na jakiś czas, mieszając go co parę minut. Następnie opróżnić zbiornik z roztworu i dokładnie wypłukać wodą.

##### Konserwacja cotygodniowa

###### Usuwanie kamienia:

- Powtórzyć czynności 1-3 z części poświęconej konserwacji codziennej.
- Wyczyścić tackę. W tym celu napęlnić tackę 200 ml nie rozcieńczonego octu. Pozostawić na 20 minut. Miękką szczoteczką wyczyścić

wszystkie wewnętrzne powierzchnie. Zwiłżyć ściereczkę octem i przetrzeć całą tackę w celu usunięcia kamienia.

- Przed przystąpieniem do dezynfekowania zbiornika, należy przepłukać go czystą ciepłą wodą w celu usunięcia kamienia i roztworu octu.
- Kiedy element grzewczy ostygnie, przetrzeć go miękką ściereczką.

Jeżeli na wyświetlaczu pokazuje się REFILL/HOLD [NAPEŁNIJ/WSTRZYMAJ] należy: napęlnić zbiornik wodą i ustawić na podstawie.

Kiedy na wyświetlaczu pokazuje się REFILL/READY [NAPEŁNIJ/GOTOWY], nacisnąć przycisk MOC/TRYB (B), aby nawilżacz ponownie włączyć.

**UWAGA:** Przy zdejmowaniu osłony zabezpieczającej należy zachować ostrożność, ponieważ może być gorąca. Zdejmując osłonę należy chwycić za niebieski języczek.

##### UWAGA:

Jeżeli nawilżacza nie będzie się używać przez dwa dni lub dłużej, należy opróżnić zbiornik i podstawę, aby zapobiec rozwojowi glonów i bakterii.

##### Czyszczenie i konserwacja

Aby zapewnić prawidłowe i wydajne działanie nawilżacza należy ściśle przestrzegać poniższych instrukcji dotyczących konserwacji. Urządzenie NIE BĘDZIE DZIAŁAĆ, jeżeli nie będzie się go regularnie czyścić.

Zaleca się przeprowadzanie konserwacji codziennej i cotygodniowej. Regularne czyszczenie zapobiega osadzeniu się kamienia na elemencie grzewczym i tacce. Zapobiega to także rozwojowi mikroorganizmów na tacce i w zbiorniku, co gwarantuje maksymalnie wydajne działanie nawilżacza.

Prawidłowe czyszczenie stanowi zasadniczy element konserwacji i gwarancję długotrwałego działania urządzenia. Pozwala ono także zapobiec rozwojowi glonów i bakterii.

##### Regularna konserwacja

Częstotliwość czynności codziennego użycia nawilżacza oraz od twardości wody. Zaleca się wykonywanie poniższych czynności co tydzień lub częściej, jeżeli okaże się to konieczne.

- Przed przystąpieniem do czyszczenia wyłączyć przycisk mocy (B) i wyłączyć urządzenie z sieci.
- Wyjąć zbiornik i wylać wodę do zlewu.

**UWAGA:** Jeżeli z nawilżacza nie wyjmie się lejka, element grzewczy może ostygnąć dopiero po godzinie na tyle, bo można go było dotknąć.

Nawilżacz podgrzewa wodę wytwarzającą czystą mgiełkę wodną. Niektóre zanieczyszczenia wody

gromadzą się w komorze grzewczej. Element grzewczy o elektronicznej regulacji temperatury pokryty jest teflonową powłoką ułatwiającą czyszczenie, co z kolei gwarantuje dłuższy okres użytkowania nawilżacza.

Do czyszczenia elementu grzewczego NIE NALEŻY stosować przedmiotów metalowych ani innych twardych przedmiotów, gdyż mogłyby one zadrapać powłokę elementu.

W żadnym wypadku do czyszczenia nawilżacza nie należy używać detergentów, benzyny, płynów do czyszczenia szkła, politory ani rozcieńczalników.

##### Dezynfekowanie zbiornika na wodę:

- Do zbiornika wlać 1 łyżeczkę wybielacza i 3,5 litra wody.
- Pozostawić na 20 minut, co kilka minut mieszając. Zwiłżyć wszystkie powierzchnie.
- Po 20 minutach opróżnić zbiornik i dobrze przepłukać wodą, aby usunąć zapach wybielacza. Osuszyć papierowym ręcznikiem.
- Ponownie napęlnić zbiornik chłodną wodą. Ustawić zbiornik na miejscu. Powtórzyć czynności podane w instrukcjach obsługi.

##### GWARANCJA

Prosimy o zachowanie dowodu zakupu, gdyż jego przedstawienie jest wymagane w razie jakiegokolwiek reklamacji GWARANCJA.

- Udzielamy 2-letniej gwarancji na ten produkt.
- W razie awarii, chociaż jest ona mało prawdopodobna, należy zwrócić produkt do miejsca zakupu i dołączyć do niego dowód zakupu i niniejszą gwarancję.
- Prawa i uprawnienia z tytułu niniejszej gwarancji uzupełniają prawa określone w przepisach i niniejsza gwarancja nie ma nie wpływu.
- Firma Holmes Products Europe zobowiązuje się, że w podanym terminie naprawi lub wymieni dowolną część urządzenia, która zostanie uznana za wadliwą pod następującymi warunkami:
  - Użytkownik poinformuje niezwłocznie naszą firmę o wystąpieniu wady.
  - Urządzenie nie było w żaden sposób modyfikowane, nie używano go w niewłaściwy sposób ani też nie było naprawiane przez osobę nie posiadającą autoryzacji Holmes Products Europe.
- Użytkownikowi kupującemu używane urządzenie lub użytkującemu je do celów zarobkowych lub publicznych nie przysługują żadne prawa na mocy niniejszej gwarancji.
- Na naprawione lub wymienione urządzenie zostanie udzielona gwarancja na takich samych warunkach co niniejsza gwarancja i będzie ona obowiązywać przez pozostały okres gwarancyjny.

## Free Manuals Download Website

<http://myh66.com>

<http://usermanuals.us>

<http://www.somanuals.com>

<http://www.4manuals.cc>

<http://www.manual-lib.com>

<http://www.404manual.com>

<http://www.luxmanual.com>

<http://aubethermostatmanual.com>

Golf course search by state

<http://golfingnear.com>

Email search by domain

<http://emailbydomain.com>

Auto manuals search

<http://auto.somanuals.com>

TV manuals search

<http://tv.somanuals.com>