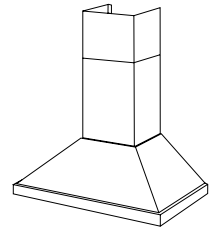


# K41 SERIES RANGE HOODS



**Class pyramidal lines create a statement of simple elegance.**

**FEATURES**

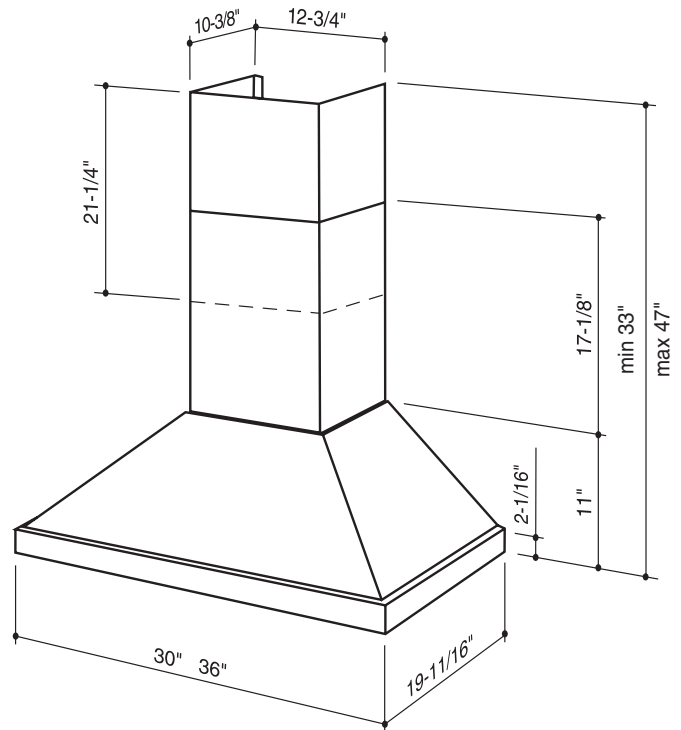
- Italian design
- Wall mount
- Finishes: 304 Stainless Steel #4 Brushed, White, Black, Polished Brass, Brushed Copper
- Widths: 30", 36"
- Telescopic flue accommodates 8' to 9' ceilings
- 6" round duct connector/backdraft damper
- Convertible to non-ducted operation (for 8' to 9' ceilings only - requires Model No. REKITK41 sold separately)
- Halogen lighting (2 x 20 watt, MR16 - bulbs included)
- Slide controls: on-off, infinite speed
- Single centrifugal blower
- Dishwasher-safe filter features a quick-release latch and decorative cover plate
- Heat Sentry™ - automatically turns blower to high speed when excess cooking heat is detected

**OPTIONS**

- Backsplash available (Model BSK1)
- Accent trim in contrasting or complementary finishes (Model No. FTK41)
- Flue extension for 10' ceiling (ducted only) (Model No. FEXTK42) (31-7/8" long)
- Recirculating filter (Model No. ROUND FILTER)
- Replacement grease filters available
- Replacement bulb (Part No. SB02300668)

**SPECIFICATIONS**

VOLTS	AMPS	CFM	SONES	DUCT
120	3.13	500	8.0	6" round



Mount range hood so bottom of hood is 24" minimum above cooking surface.

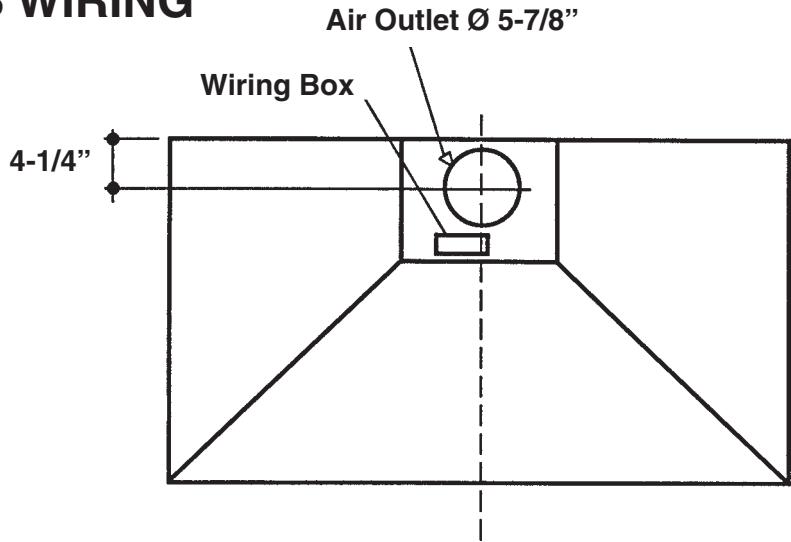


HVI-2100 CERTIFIED RATINGS comply with new testing technologies and procedures prescribed by the Home Ventilating Institute, for off-the-shelf products, as they are available to consumers. Product performance is rated at 0.1 in. static pressure, based on tests conducted in AMCA's state-of-the-art test laboratory. Sones are a measure of humanly-perceived loudness, based on laboratory measurements.

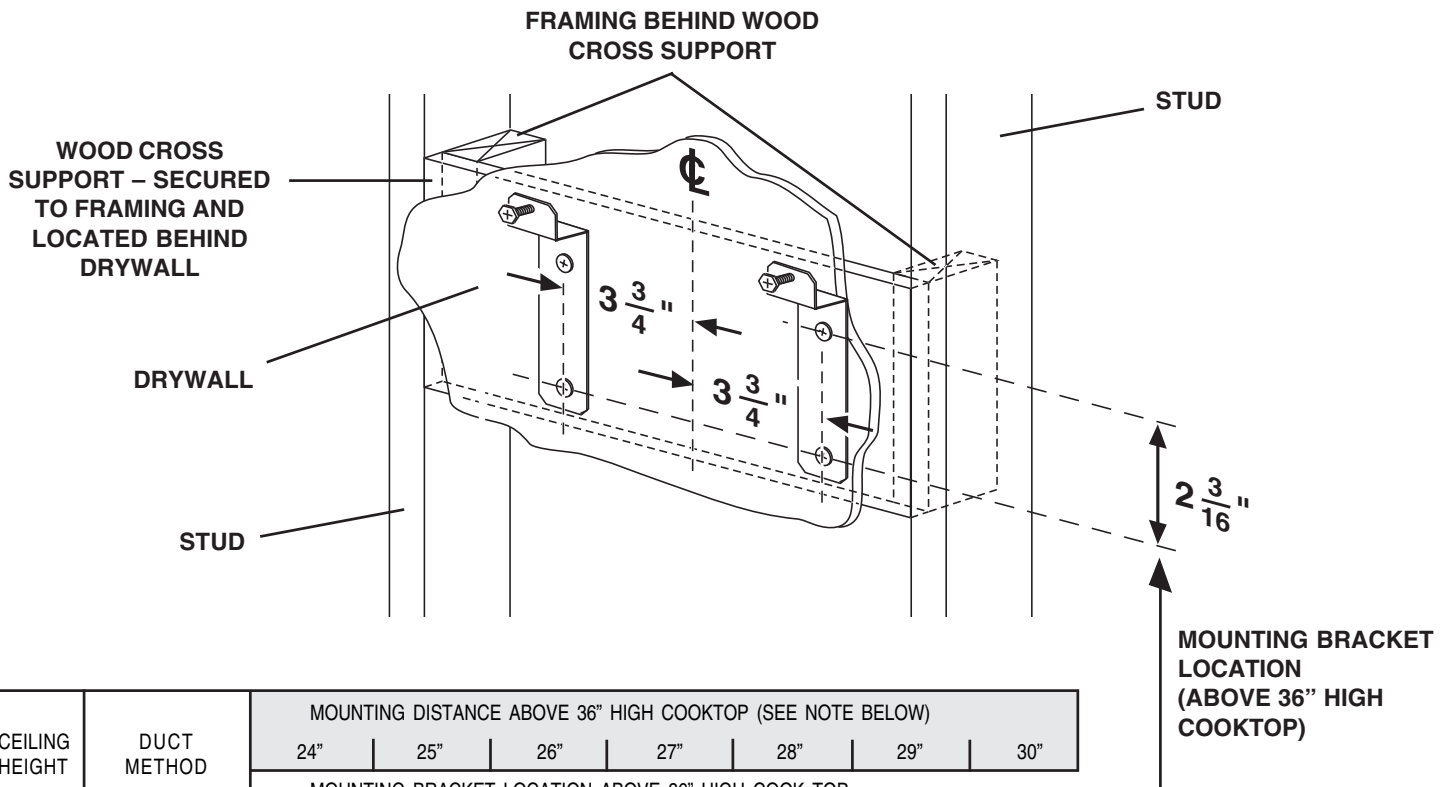
**BEST BY BROAN P.O. BOX 140 HARTFORD, WISCONSIN 53027**

REFERENCE	QTY.	REMARKS	Project
			Location
			Architect
			Engineer
			Contractor
			Submitted by <span style="float: right;">Date</span>

# K41 SERIES WIRING



# K41 SERIES MOUNTING



CEILING HEIGHT	DUCT METHOD	MOUNTING DISTANCE ABOVE 36" HIGH COOKTOP (SEE NOTE BELOW)						
		24"	25"	26"	27"	28"	29"	30"
8 FEET	DUCTED OR NONDUCTED with REKITK41	36-3/16"	37-3/16"	38-3/16"	39-3/16"			
9 FEET	DUCTED		37-3/16"	38-3/16"	39-3/16"	40-3/16"	41-3/16"	42-3/16"
	NONDUCTED with REKITK41						41-3/16"	42-3/16"
10 FEET	DUCTED WITH FEXTK42			38-3/16"	39-3/16"	40-3/16"	41-3/16"	42-3/16"

**NOTE:** Minimum hood distance above cooktop must not be less than 24".  
 A maximum of 30" above the cooktop is highly recommended for best capture of cooking impurities.  
 Distances over 30" are at the installer and users' discretion; and if ceiling height and flue length permit.



BEST BY BROAN P.O. BOX 140 HARTFORD, WISCONSIN 53027

## Free Manuals Download Website

<http://myh66.com>

<http://usermanuals.us>

<http://www.somanuals.com>

<http://www.4manuals.cc>

<http://www.manual-lib.com>

<http://www.404manual.com>

<http://www.luxmanual.com>

<http://aubethermostatmanual.com>

Golf course search by state

<http://golfingnear.com>

Email search by domain

<http://emailbydomain.com>

Auto manuals search

<http://auto.somanuals.com>

TV manuals search

<http://tv.somanuals.com>