

Belshaw

*EZ Melt,
Fill and Filter*

Models EZ18, EZ24, AND EZ34
Operator's Manual



If you accept the machine from the shipping company, you are, in effect, saying that the machine is in good condition, and you must pay for the machine. Belshaw cannot pay for shipping damage, because the freight company has accepted the machine from Belshaw in good condition, and is responsible for its safe delivery. **For your protection,** inspect the machine to see that no parts are bent, scratched, or otherwise damaged. If any damage has occurred in shipping, file a freight claim with the shipping company immediately.

EQUIPMENT RECORD

Please provide the information below when you correspond with us about your machine.

Purchased by _____

Installed by _____

Date of Installation _____

Model number _____

Serial number _____

0103

MN-1316EN

Belshaw Bros., Inc.

1750 22nd Avenue South

Seattle, WA 98144-4590

Phone: (206) 322-5474 • Fax: (206) 322-5425

Toll Free: (800) 578-2547

Email: service@belshaw.com • <http://www.belshaw.com>

Contents

1	Installation	1
2	Operation	5
	Melting and Filling	5
	Filtering	7
3	Cleaning	10
4	Troubleshooting	12
5	Parts List	15
	EZ18-2000 Shortening Melter Assembly (120V)	16
	EZ18-2001 Shortening Melter Assembly (240V)	18
	EZ24-2000 Shortening Melter Assembly (120V)	20
	EZ24-2001 Shortening Melter Assembly (240V)	22
	EZ34-2000 Shortening Melter Assembly (120V)	24
	EZ34-2001 Shortening Melter Assembly (240V)	26
	EZ24/34-1000 Heater Head Assembly	28
6	Appendix	30
	Wiring Diagram (EZ18-4002) - 120V, 50/60 Hz, 1 Ph	Insert
	Wiring Diagram (EZ18-4003) - 208/240V, 50/60 Hz, 1 Ph	Insert

Figures

1-1.	Front View.	1
1-2.	Side View.	2
1-3.	Top View, Heater Head.	2
1-4	Heater Head.	3
1-5	Elements & Kettle.	3
2-1.	Packing Solid Shortening in the Kettle.	5
2-2.	Cube Melter.	5
2-3.	Installing the Cube Melter.	5
2-4.	When to Add a Cube of Shortening.	6
2-4A.	When to Add a Cube of Shortening. EZ-34 Only.	6
2-5.	Positioning the Filter Frame for Melting.	6
2-6.	When to Drain the Fryer.	7
2-6A.	When to Drain the Fryer EZ-34 Only.	7
2-7.	Positioning the Filter Assembly for Filtering.	7
2-8.	Rinsing Hose.	8
3-1.	Removing the Heater Head.	10
5-1.	EZ18-2000 Shortening Melter Assembly (120V)	17
5-2.	EZ18-2001 Shortening Melter Assembly (240V)	19
5-3.	EZ24-2000 Shortening Melter Assembly (120V)	21
5-4.	EZ24-2001 Shortening Melter Assembly (240V)	23
5-5.	EZ34-2000 Shortening Melter Assembly (120V)	25
5-6.	EZ34-2001 Shortening Melter Assembly (240V)	27
5-7	EZ24/34-1000 Heater Head Assembly	29

Preface

The EZ Melt, Fill and Filter models EZ18, EZ24, and EZ34 are designed to be used with Belshaw fryers. It performs four functions:

- It melts shortening
- It holds shortening
- It supplies shortening to the fryer kettle
- It filters used shortening for re-use

It is not designed to perform any other functions. The EZ Melt, Fill and Filter uses electrical elements to melt shortening.

The EZ Melt moves around on casters. It is meant to be used on the floor. The operator of the EZ Melt is expected to behave safely and to read this manual and follow its instructions and warnings.

Study the instructions and warnings in this manual carefully. A thorough understanding of how to install, maintain, and safely operate the EZ Melt, Fill and Filter will prevent production delays and injuries.

To use the EZ Melt safely, heed the following warnings and all other warnings that appear in this manual:

- Make sure all hose connections are tight. If you do not, you may be sprayed with hot shortening. This could result in serious burns.
- Make sure no water gets into the shortening. Water causes hot shortening to spatter, which could cause serious burns.

- Make sure the EZ Melt kettle has enough room in it before draining shortening from the fryer. If you do not, shortening may overflow the kettle and get on the floor, possibly causing slips, falls, injury, burns, or even death.
- Make sure the nozzle of the supply hose is securely mounted on the side of the fryer before turning on the pump. If you do not, hot shortening could spray you, resulting in serious burns. Also, shortening could get on the floor, possibly causing slips, falls, injury, burns, or even death.
- Make sure that the system and the shortening are cool before attempting any adjustments or repairs. If you do not, you may be burned.
- Be careful never to get shortening, water, or other materials on the floor. If anything does get spilled on the floor, mop it up immediately. If you do not, someone could slip or fall, be burned or injured, or even die.
- To avoid damaging the EZ Melt, never use force to assemble, disassemble, operate, clean, or maintain it.
- To avoid electrocution, make sure that the power cord is not frayed or cracked and that it does not pass through any water or shortening.
- Make sure that the power cord is routed so that no one will trip over it.

1

Installation

To help familiarize you with the major parts of your EZ Melt model EZ18, EZ24, or EZ34, please study the photographs below.

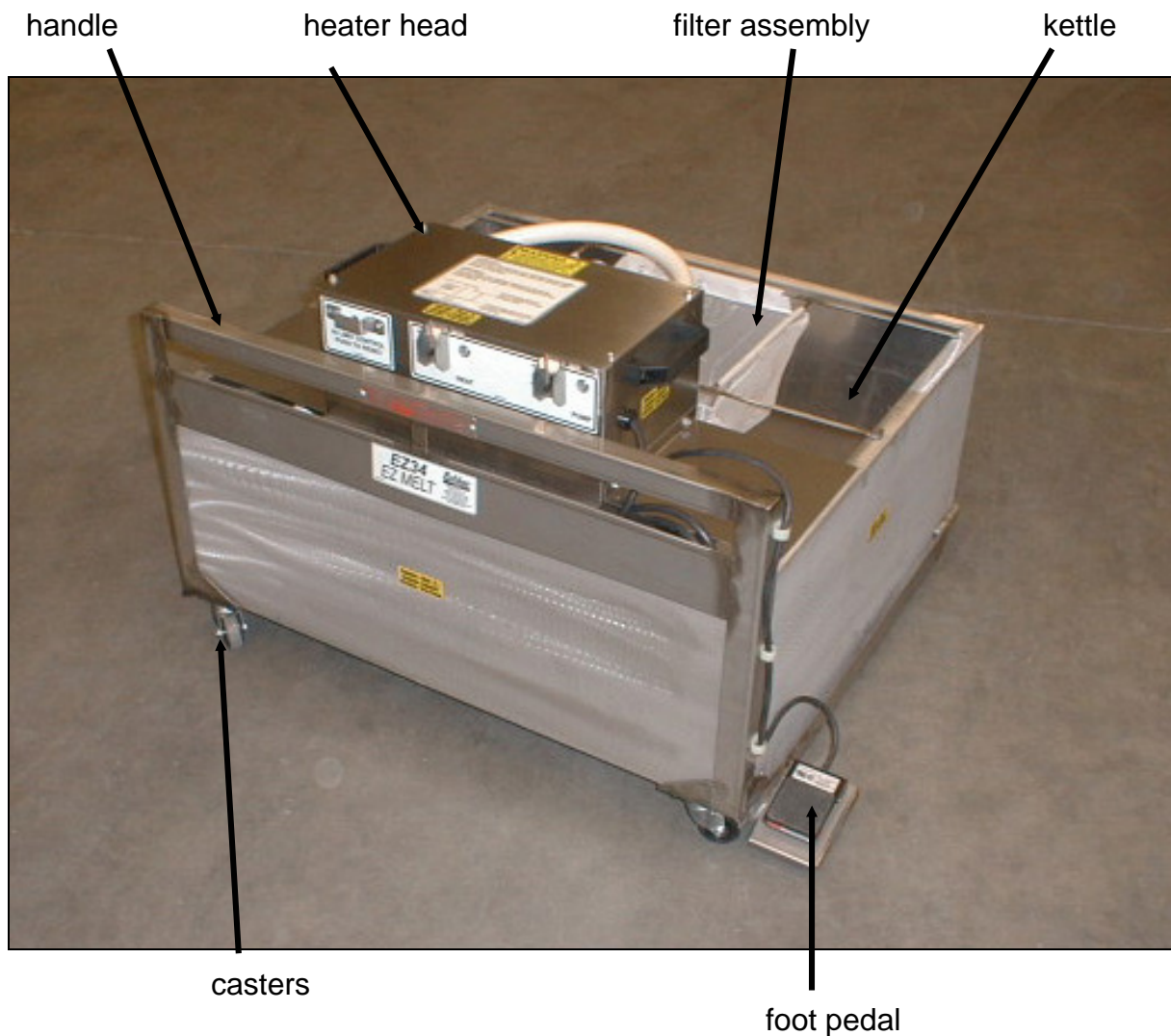


Figure 1-1. Front View.

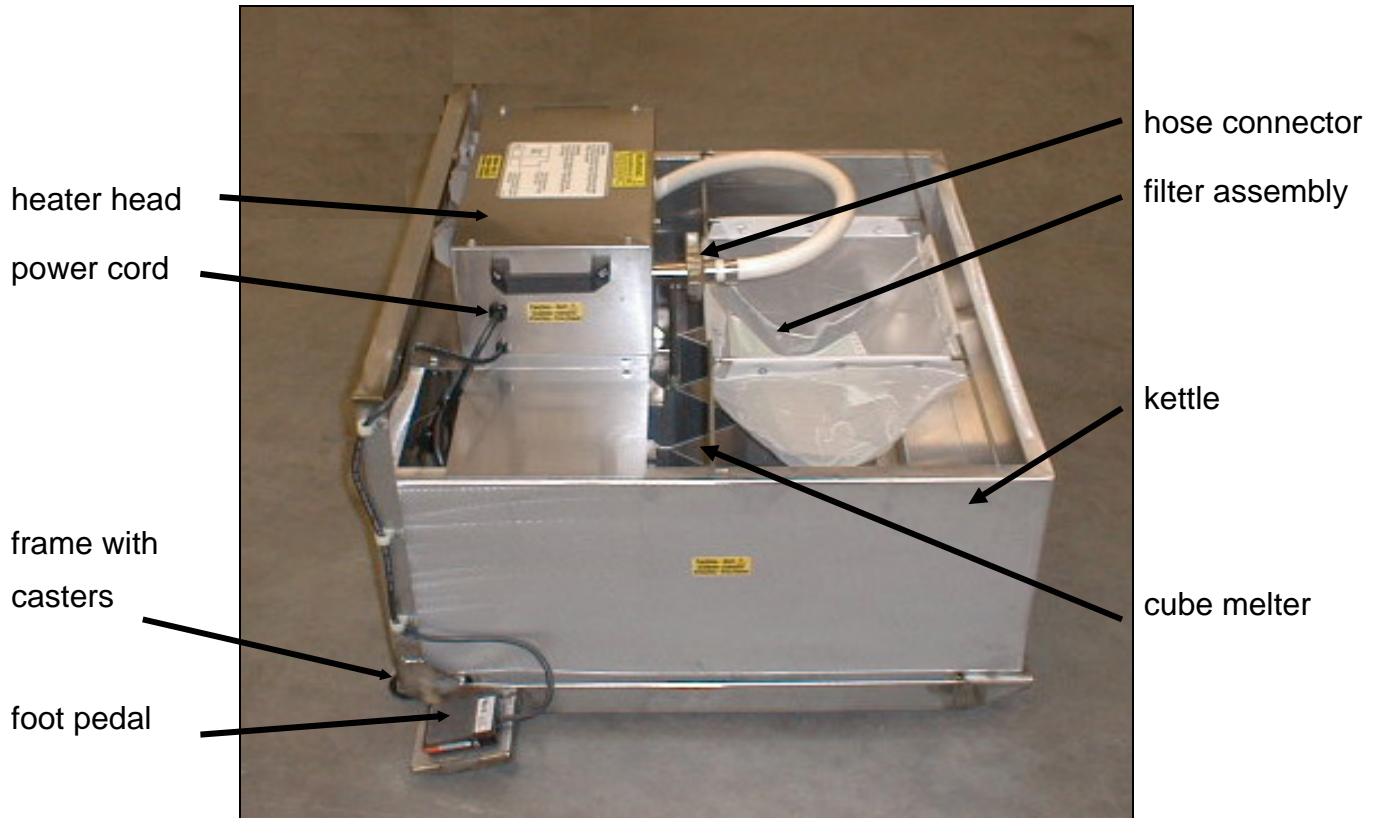


Figure 1-2. Side View.



Figure 1-3. Top View, Heater Head.

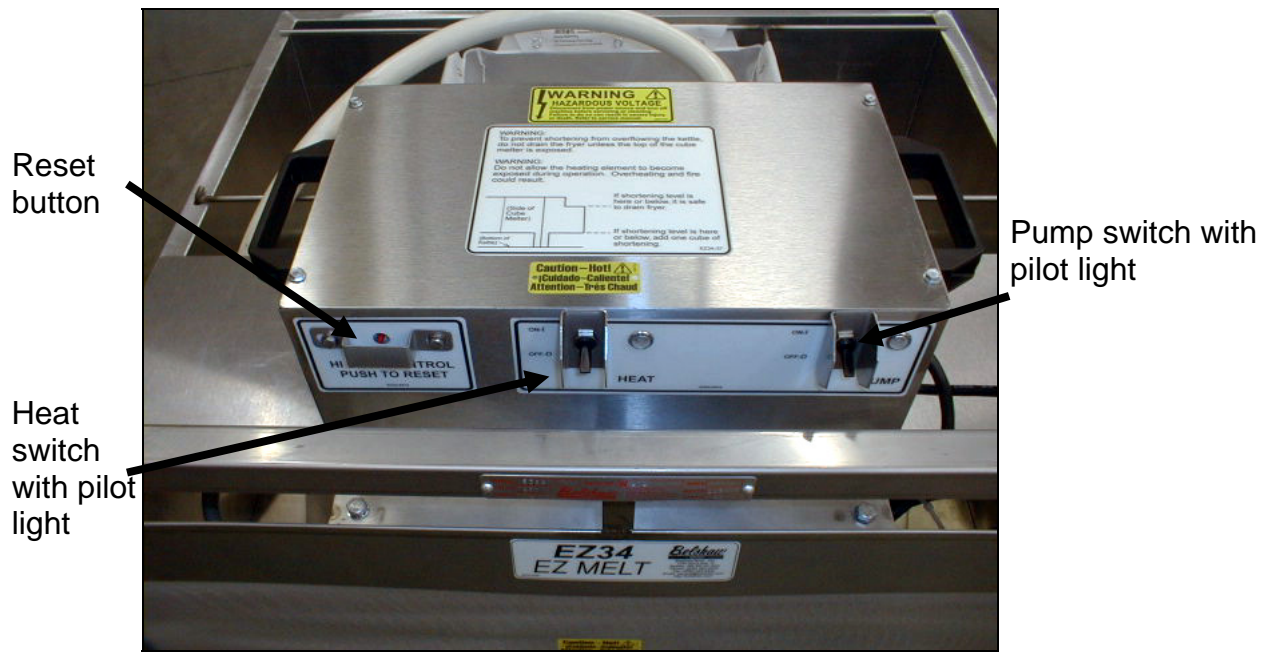


Figure 1-4. Heater head

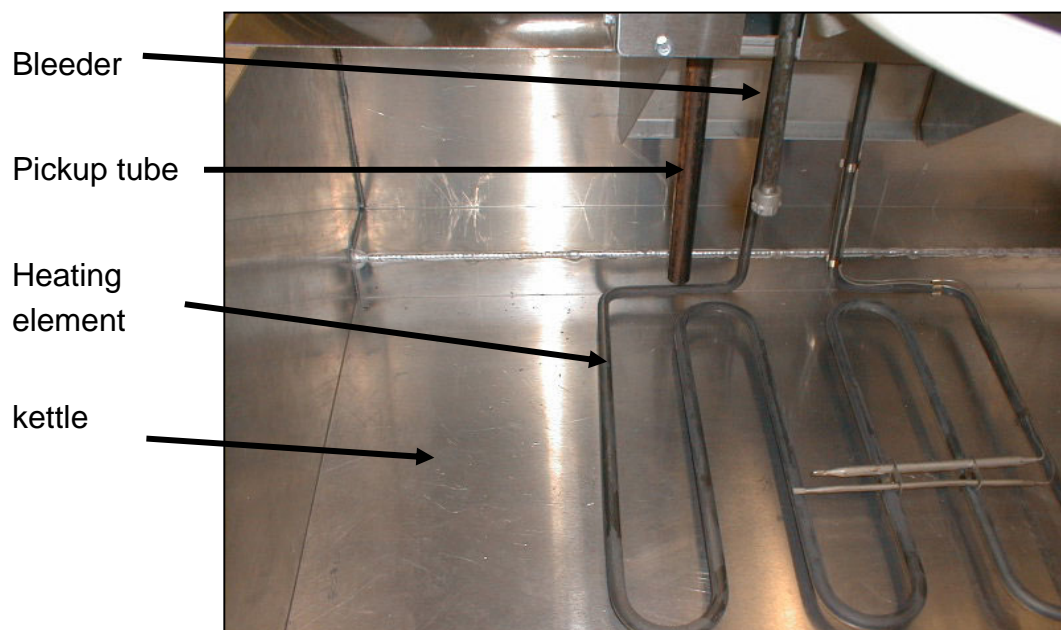


Figure 1-5. Elements and kettle.

Thoroughly clean your EZ Melt before using it. Refer to Section 3, "Cleaning," for cleaning instructions.

WARNING

Moisture causes hot shortening to spatter, which may cause serious injury. Thoroughly dry the kettle and any other parts you wash.

WARNING

To avoid electrocuting yourself or damaging the EZ Melt, never allow water, steam, cleaning solution, or other liquid to enter the heater head.

Make sure that the power requirements of the EZ Melt, shown on the data plate, match your power source.

Melting and Filling

1. Completely cover the heating element with shortening. There are two ways to do this:
 - Pre-melt some shortening in a pan on the stove and pour it into the kettle to cover the element.
 - Pack solid shortening tightly around the heating element and bulbs. Do not leave any air spaces. Cover the heating element at least 2²/₅ cm. (See Figure 2-1)

WARNING

Air spaces can cause the shortening to overheat and catch on fire.

2. Install the cube melter in the kettle, opposite the heater head. Push the cube melter through



the shortening so its legs rest on the bottom of the kettle. (See Figures 2-2 & 2-3.)

Figure 2-1. Packing Solid Shortening in the Kettle.

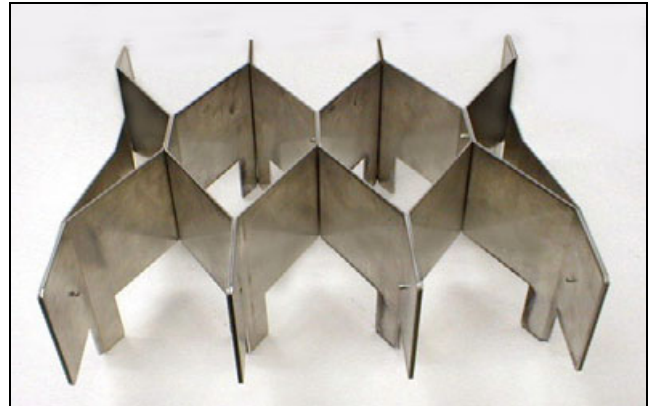


Figure 2-2. Cube Melter



Figure 2-3. Installing the Cube Melter.

3. Position the EZ Melt near the fryer.
4. Install the supply hose. Follow these steps:
 - a. Attach the hose to the pump outlet by hand-tightening the hose connector.
 - b. Mount the nozzle of the hose on the edge of the fryer kettle with the opening inside the kettle.

5. Make sure that the HEAT and PUMP switches are in the OFF position. Connect the EZ Melt to the power source.

To avoid damaging the heating element, make sure it is completely covered with shortening before you turn the heater on.

6. Turn the machine on using the HEAT switch. When the heat is on, the heating element melts shortening at 200° F/93° C. The heat must also be on to operate the pump.
7. Turn the pump on using the PUMP switch.
8. When you want to supply shortening to the fryer, press the foot pedal.

WARNING

To avoid burning yourself, never touch the nozzle while the machine is in use.

9. When the fryer has enough shortening in it, release the foot pedal.
10. As needed, add shortening to the kettle, one cube at a time. Always add a cube if the shortening level drops to the tops of the legs of the cube melter. (See Figure 2-4 & 2-4A.)

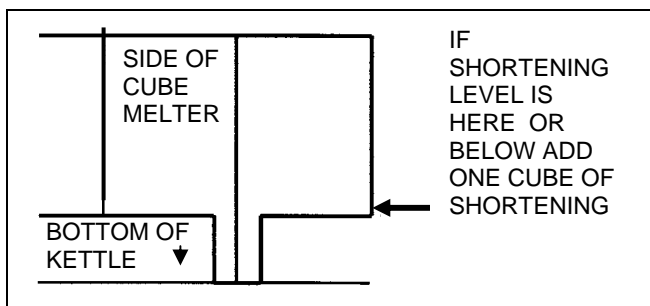


Figure 2-4. When to Add a Cube of Shortening.

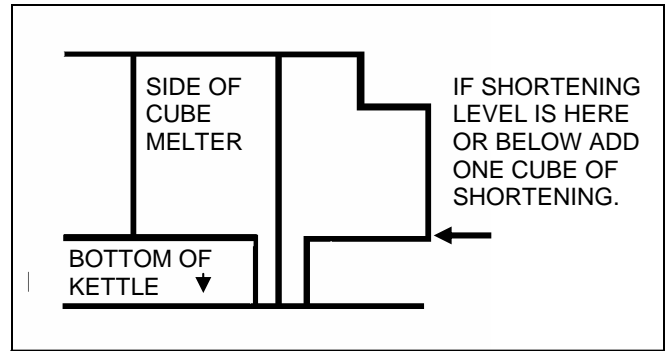


Figure 2-4A. (**EZ34 ONLY**) When to Add a Cube of Shortening.

To add a cube of shortening, follow these steps:

1. Position the filter assembly so you can add shortening. The edge of the kettle has one or two sets of holes in it. Use the set of holes that is nearer to the heater head. When two of the filter frame's pins rest in these holes, the filter assembly hangs vertically. (See Figure 2-5.)

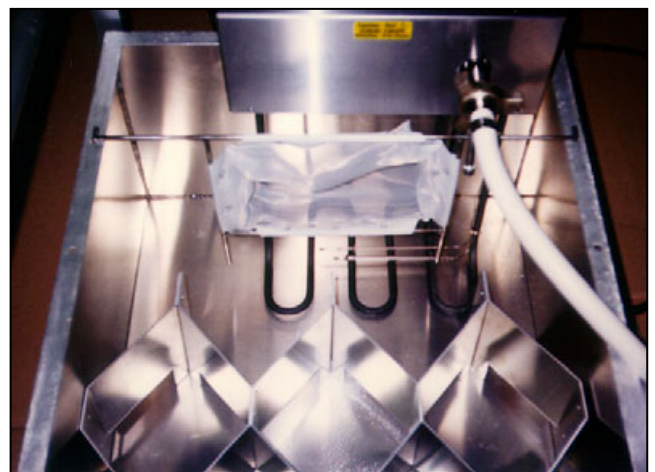


Figure 2-5. Positioning the Filter Frame for Melting.

- b. Place a solid cube of shortening on the cube melter. Let one cube melt and be pumped out before adding another cube. Do not overload the EZ Melt.

Filtering

1. Turn the fryer off. Allow the shortening to cool to 130° F/54° C.

WARNING

Hot shortening may cause serious injury.

2. Turn the EZ Melt off. Make sure that both the HEAT and PUMP switches are in the OFF position.
3. Make sure that the top of the cube melter is exposed.

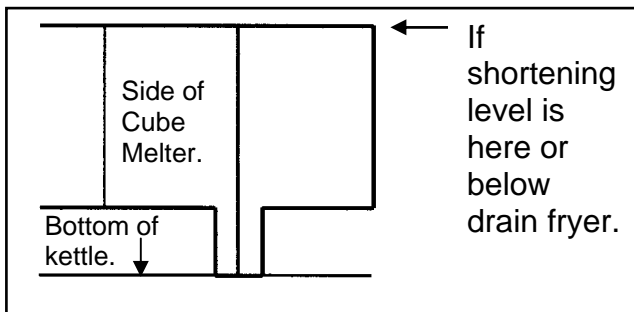


Figure 2-6. When to Drain the Fryer.

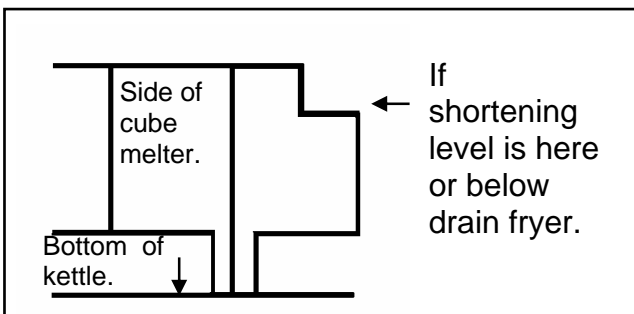


Figure 2-6A. **(EZ-34 ONLY)** When to Drain the Fryer.

WARNING

When you begin to drain the fryer, the shortening in the EZ Melt must be shallow enough for the top of the cube melter to be exposed. If the shortening is deeper it might overflow when you drain the fryer, thus causing burns or other serious injury.

4. Position the shortening filter assembly on the EZ Melt kettle. The edge of the kettle has one or two sets of holes in it. Use the set of holes that is farther from the heater head. When two of the filter frame's pins rest in these holes, the filter assembly rests horizontally on the end of the kettle. (See Figure 2-7.)

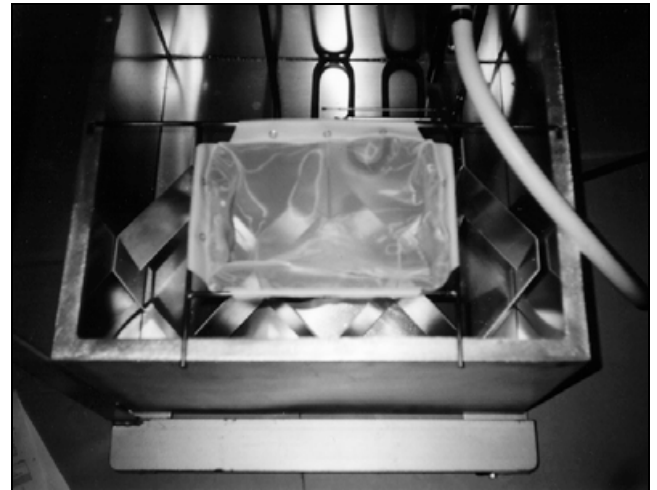


Figure 2-7. Positioning the Filter Assembly for Filtering.

5. Disconnect the supply hose from the hose connector. Hold the two ends of the hose up so shortening does not drip out. Hang hose vertically over a pan so the shortening will drip into the pan.
6. Attach the rinsing hose securely to the hose connector. (See Figure 2-8.)

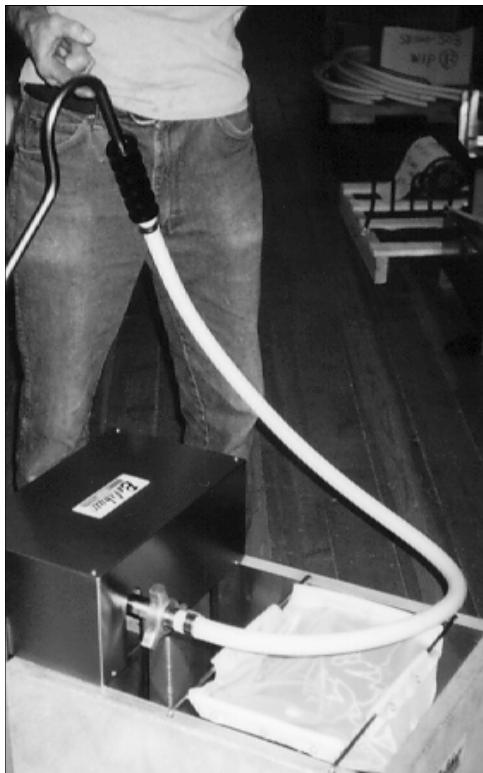


Figure 2-8. Rinsing Hose.

7. Position the EZ Melt so the filter is directly under the drain in the fryer kettle.
8. Reach under the table and slowly open the fryer's drain valve.
9. Move the HEAT and PUMP switches of the EZ Melt to the ON position.
10. Hold the insulated handle of the hose. Direct the nozzle into the fryer kettle. Press the foot pedal and rinse the kettle with shortening. Do not let shortening splash out of the kettle!

WARNING

To avoid burning yourself, never hold or touch the metal portion of the nozzle while the machine is in use. Wear protective gloves.

WARNING

Thoroughly clean and dry the floor if shortening, water, or other materials are spilled. Materials spilled on the floor may cause serious injury and loss of life.

11. After you have rinsed all the loose particles out of the fryer kettle, release the foot pedal.
12. After the shortening has drained out of the fryer kettle and through the EZ Melt filter, close the drain valve.
13. Turn the EZ Melt off. Make sure that both the HEAT and PUMP switches are in the OFF position.
14. Disconnect the rinsing hose assembly. Hold the two ends of the hose up so shortening does not drip out. Hang the hose vertically over a pan so shortening will drip into the pan.
15. Bring the supply hose back to the EZ Melt, holding the two ends of the hose up so shortening does not drip out.
16. Securely attach the supply hose to the hose connector. Make sure the outlet nozzle is securely mounted to the fryer, with the opening inside the kettle.
17. Move the HEAT and PUMP switches to the ON position. Press the foot pedal to supply filtered shortening to the fryer.
18. Before you filter shortening again, empty the EZ Melt filter. Follow these steps:
 - a. Allow the filter assembly to cool to the touch.
 - b. Lift off the filter assembly, holding it by the frame.
 - c. Invert the filter assembly over a sink or garbage can and shake the sediment off of it. **DO NOT** rinse the filter.

WARNING

Rinsing the filter could cause water to drop into the kettle. Hot shortening could spatter and cause serious injury.

- d. Put the filter assembly back on the EZ Melt.

To order replacement filters for your EZ Melt, call Belshaw.

Cleaning

3

Clean the EZ Melt after every use. Follow these steps:

1. Turn on the heat and the pump.
2. Press the foot pedal to pump shortening out of the EZ Melt and into a metal container or fryer kettle.
3. When you cannot pump any more shortening out of the EZ Melt, release the foot pedal. Turn off the heat and the pump.
4. Disconnect the EZ Melt from the power source.
5. Allow the shortening in the EZ Melt kettle to cool to 115° F/46° C.

WARNING

Hot shortening can cause serious injury.

6. Clean the EZ Melt filter. Follow these steps:
 - a. Allow the filter assembly to cool to the touch.
 - b. Lift off the filter assembly, holding it by the frame.
 - c. Invert the filter assembly over a sink or garbage can and shake the sediment off of it.
 - d. Unsnap the filter to remove it from the filter frame.
 - e. Rinse the remaining shortening and crumbs off of the filter.

WARNING

Thoroughly clean and dry the floor if shortening, water, or other materials are spilled. Materials spilled on the floor may cause serious injury and loss of life.

7. Remove the cube melter.
8. Loosen the two fasteners at the back of the heater head, lift it off the kettle and place it in a clean safe place. The foot valve and cord will unsnap from the frame. See Figure 3-1.



Figure 3-1. Removing the Heater Head.
(Place heater head as shown above so no damage is done to the element.)

WARNING

Do not touch the heating element! It is very hot and will burn you.

11. Remove the kettle from the frame. You must remove it from the rear.
12. Pour any shortening remaining in the kettle into a metal container. If it is too heavy or awkward for you to lift by yourself, get someone to help you.

WARNING

Thoroughly clean and dry the floor if shortening, water, or other materials are spilled. Materials spilled on the floor may cause serious injury and loss of life.
--

13. Scrape out any residue and discard it.
14. Wash the kettle, the cube melter, and the filter frame with warm, soapy water.
15. Dry all the parts completely. The kettle and all other parts must be completely dry before you use the EZ Melt again.

WARNING

Moisture on parts causes hot shortening to spatter, which may cause serious injury.

16. Re-assemble the EZ Melt.

Troubleshooting

4

This section is designed as an aid in troubleshooting, not as a substitute for a qualified technician. You may encounter a problem with your EZ Melt that is not covered in this section, or you may try the remedies suggested here and find that they do not correct the problem. In either case, feel free to call Belshaw Bros. at (206)322-5474. One of our customer support representatives will be happy to help you. When you call, please specify the following:

- The model number of the machine.
- The serial number of the machine.
- The voltage, phase, and hertz (cycle) of the machine.

CAUTION

If you perform repairs yourself or have them performed by anyone other than Belshaw Bros. or a service technician authorized by Belshaw Bros., you do so at your own risk.

For factory service, call us for a return goods authorization. Then send your machine to us, freight prepaid, with your instructions for service, your phone number, and the name of the person for us to contact when we have made a cost estimate. In most cases, the machine can be shipped back, freight collect, within five days.

To avoid down time, call us to see whether we have a machine we can loan to you while your machine is being serviced.

Ship machines in need of servicing to:

Belshaw Bros., Inc.
1750-22nd Ave. S.
Seattle, WA 98144 USA

Following is a troubleshooting chart to help you identify and solve some basic problems.

WARNING

Disconnect the machine from the power source before disassembling, repairing, or wiring.

THE SHORTENING DOES NOT FLOW FREELY THROUGH THE FILTER SYSTEM	
Possible Causes	What To Do
The hose is crimped.	Straighten the hose.
	WARNING
	To avoid being burned, before doing any of the following, turn off the EZ Melt and allow the shortening to cool.
The hose is clogged with shortening.	Soak the hose in warm water to help release the clogged shortening. Hang it up and let it dry before you use it again.
The drain tube is clogged with solid shortening.	Remove the drain tube and soak it in warm water to help release the clogged shortening.
The pickup tube is clogged with residue.	Remove the pickup tube and clean it.
THE PUMP MOTOR WILL NOT RUN	
Possible Causes	What To Do
The connection of the power cord to the power source is faulty.	Make sure the power cord is fully plugged in to a proper power source.
The circuit breaker has been tripped.	Press the reset button. If the problem persists, consult your Belshaw dealer, or call Belshaw.

This page has been left blank intentionally.

5

Parts Lists

The following pages contain current lists of the parts that make up the EZ18, EZ24, and EZ34 models. Each list refers to an exploded-view assembly drawing. You can use the parts lists and assembly drawings as a reference to order replacement parts.

When ordering replacement parts, please provide the model number and serial number along with the correct electrical information about your equipment. Some of the part numbers vary according to the voltage, phase, cycle and serial number of the machine.

IMPORTANT

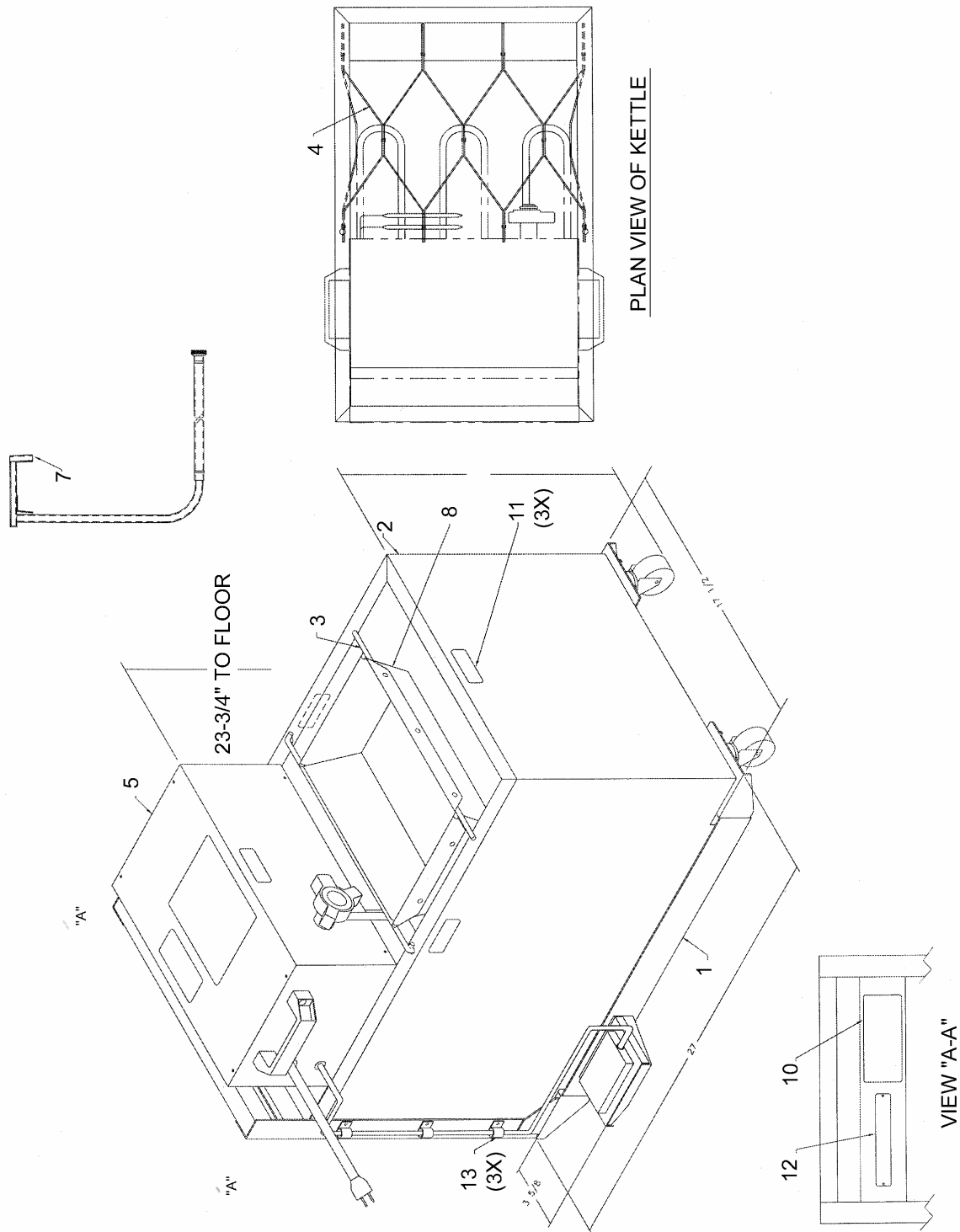
The parts lists and assembly drawings are meant as guides. We cannot provide lists and drawings for every possible configuration of the EZ Melt models.

PARTS LIST 5-1 EZ18-2000 SHORTENING MELTER ASSEMBLY (120V)

BILL OF MATERIAL

ITEM	QTY	PART NO.	DESCRIPTION	FASTENERS	
				ITEM QTY.	DESCRIPTION
1	1	EZ18-0500	Kettle Frame, WLDT		
2	1	EZ18-0502	Kettle, WLDT	A 2	¼-20 X ¼ Tek Screw
3	1	EZ18-0503	Filter Holder, WLDT		
4	1	EZ18-0504	Cube Melter, Assy.		
5	1	EZ24-1000	Motor Enclosure, Assy. (120v)		
6	1	EZ6-0507	Tube Assy, Back Supply		
	1	EZ6-0510	Tube Assy, Front Assy.		
7	1	SF100-0503	Rinsing Hose Assy.		
8	1	SM100-0002	Filter Bag		
9	1	SM100-0507RH	Hose Supply, Assy. RH		
	1	SM100-0507LH	Hose Supply, Assy LH		
	1	SM100-0510	Hose Supply Assy.		
	1	EZ18-0505	Hose Nozzle Assy.		
10	1	EZ18-0011	Side Splash Guard		
11	1	EZ24-0016	Label: EZ18 Name Plate		
12	3	618-0116	Label: Caution; Hot		
13	1	0158	Data Plate		
14	3	990-0651	Wire Holder, ½"		

FIGURE 5-1 EZ18-2000 SHORTENING MELTER ASSEMBLY (120V)

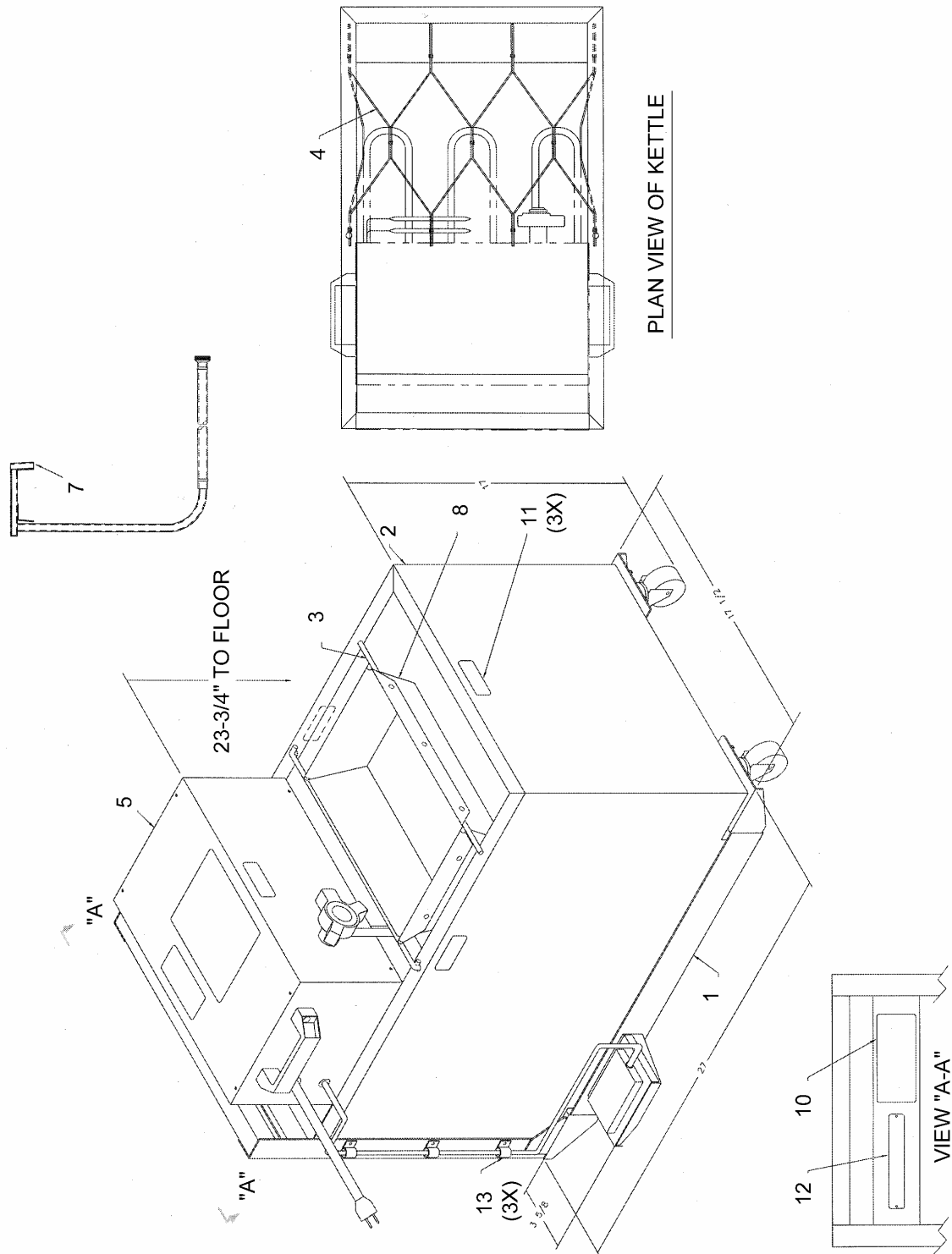


PARTS LIST 5-2 EZ18-2001 SHORTENING MELTER ASSEMBLY (240V)

BILL OF MATERIAL

ITEM	QTY	PART NO.	DESCRIPTION	FASTENERS
1	1	EZ18-0500	Kettle Frame, WLDT	ITEM QTY. DESCRIPTION
2	1	EZ18-0502	Kettle, WLDT	A 2 ¼-20 X ¼ Tek Screw
3	1	EZ18-0503	Filter Holder, WLDT	
4	1	EZ18-0504	Cube Melter, Assy.	
5	1	EZ24-1001	Motor Enclosure, Assy. (240v)	
6	1	EZ6-0507	Tube Assy, Back Supply	
	1	EZ6-0510	Tube Assy, Front Assy.	
7	1	SF100-0503	Rinsing Hose Assy.	
8	1	SM100-0002	Filter Bag	
9	1	SM100-0507RH	Hose Supply, Assy. RH	
	1	SM100-0507LH	Hose Supply, Assy LH	
	1	SM100-0510	Hose Supply Assy.	
	1	EZ18-0505	Hose Nozzle Assy.	
10	1	EZ18-0011	Side Splash Guard	
11	1	EZ18-0016	Label: EZ18 Name Plate	
12	3	618-0116	Label: Caution; Hot	
13	1	0158	Data Plate	
14	3	990-0651	Wire Holder, ½"	

FIGURE 5-2 EZ18-2001 SHORTENING MELTER ASSEMBLY (240V)

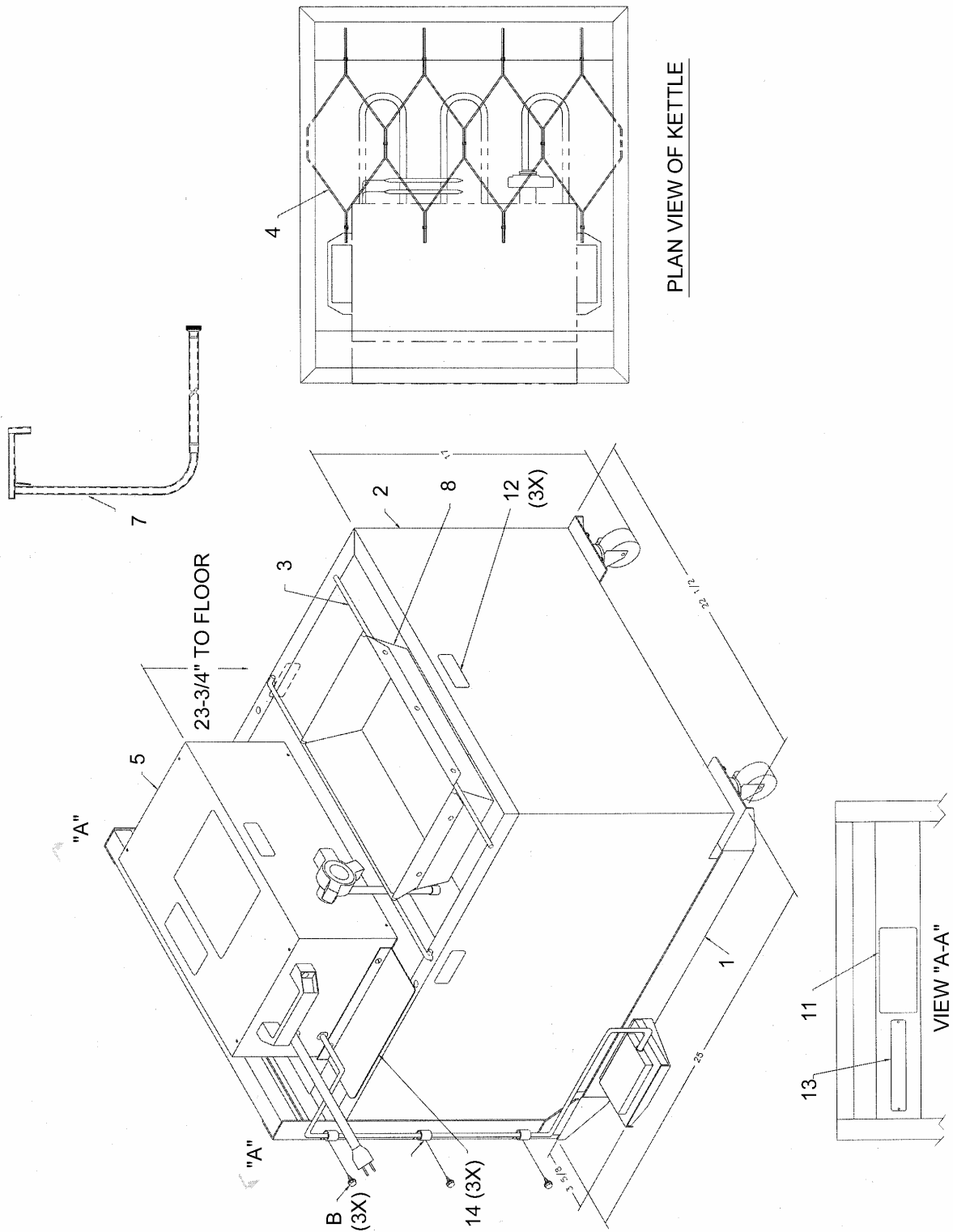


PARTS LIST 5-3 EZ24-2000 SHORTENING MELTER ASSEMBLY (120V)

BILL OF MATERIAL

ITEM	QTY	PART NO.	DESCRIPTION	FASTENERS	
				ITEM QTY.	DESCRIPTION
1	1	EZ24-0500	Kettle Frame, WLDT		
2	1	EZ24-0502	Kettle, WLDT	A 2	¼-20 X ¼ Tek Screw
3	1	EZ24-0503	Filter Holder, WLDT		
4	1	EZ24-0504	Cube Melter, Assy.		
5	1	EZ24-1000	Motor Enclosure, Assy. (120v)		
6	1	EZ6-0507	Tube Assy, Back Supply		
	1	EZ6-0510	Tube Assy, Front Assy.		
7	1	SF100-0503	Rinsing Hose Assy.		
8	1	SM100-0002	Filter Bag		
9	1	SM100-0507RH	Hose Supply, Assy. RH		
	1	SM100-0507LH	Hose Supply, Assy LH		
	1	SM100-0510	Hose Supply Assy.		
	1	EZ24-0505	Hose Nozzle Assy.		
10	1	EZ24-0017	Side Splash Guard		
11	1	EZ24-0016	Label: EZ24 Name Plate		
12	3	618-0116	Label: Caution; Hot		
13	1	0158	Data Plate		
14	3	990-0651	Wire Holder, ½"		

FIGURE 5-3 EZ24-2000 SHORTENING MELTER ASSEMBLY (120V)

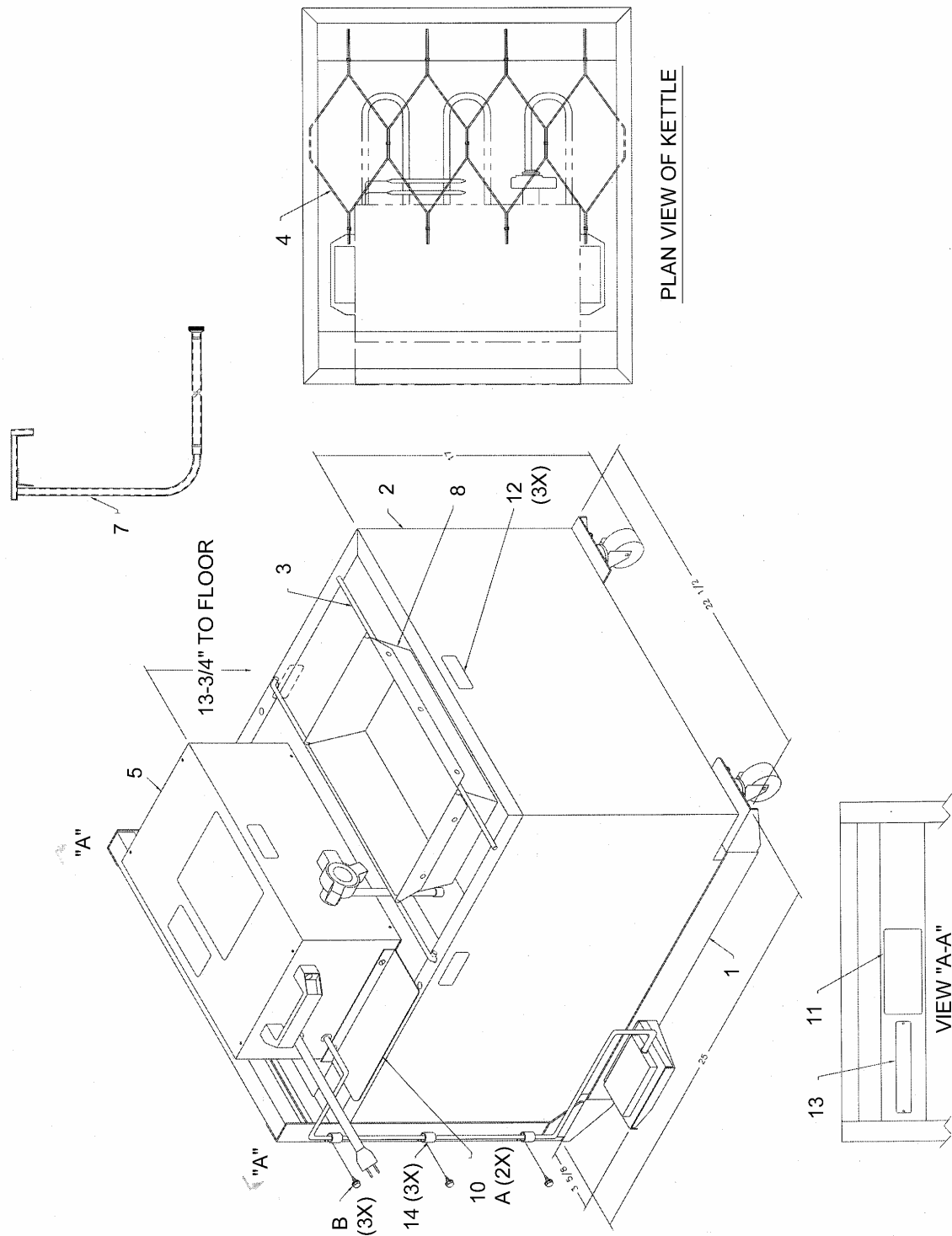


PARTS LIST 5-4 EZ24-2001 SHORTENING MELTER ASSEMBLY (240V)

BILL OF MATERIAL

ITEM	QTY	PART NO.	DESCRIPTION	FASTENERS		
				ITEM	QTY.	DESCRIPTION
1	1	EZ24-0500	KETTLE FRAME, WLDT			
2	1	EZ24-0502	KETTLE, WLDT	A	2	¼-20 X ¼ TEK SCREW
3	1	EZ24-0503	FILTER HOLDER, WLDT			
4	1	EZ24-0504	CUBE MELTER, ASSY.			
5	1	EZ24-1001	MOTOR ENCLOSURE, ASSY. (240V)			
6	1	EZ6-0507	TUBE ASSY, BACK SUPPLY			
	1	EZ6-0510	TUBE ASSY, FRONT ASSY.			
7	1	SF100-0503	RINSING HOSE ASSY.			
8	1	SM100-0002	FILTER BAG			
9	1	SM100-0507RH	HOSE SUPPLY, ASSY. RH			
	1	SM100-0507LH	HOSE SUPPLY, ASSY LH			
	1	SM100-0510	HOSE SUPPLY ASSY.			
	1	EZ24-0505	HOSE NOZEL ASSY.			
10	1	EZ24-0017	SIDE SPLASH GUARD			
11	1	EZ24-0016	LABEL: EZ24 NAME PLATE			
12	3	618-0116	LABEL: CAUTION; HOT			
13	1	0158	DATA PLATE			
14	3	990-0651	WIRE HOLDER, ½"			

FIGURE 5-4 EZ24-2001 SHORTENING MELTER ASSEMBLY (240V)

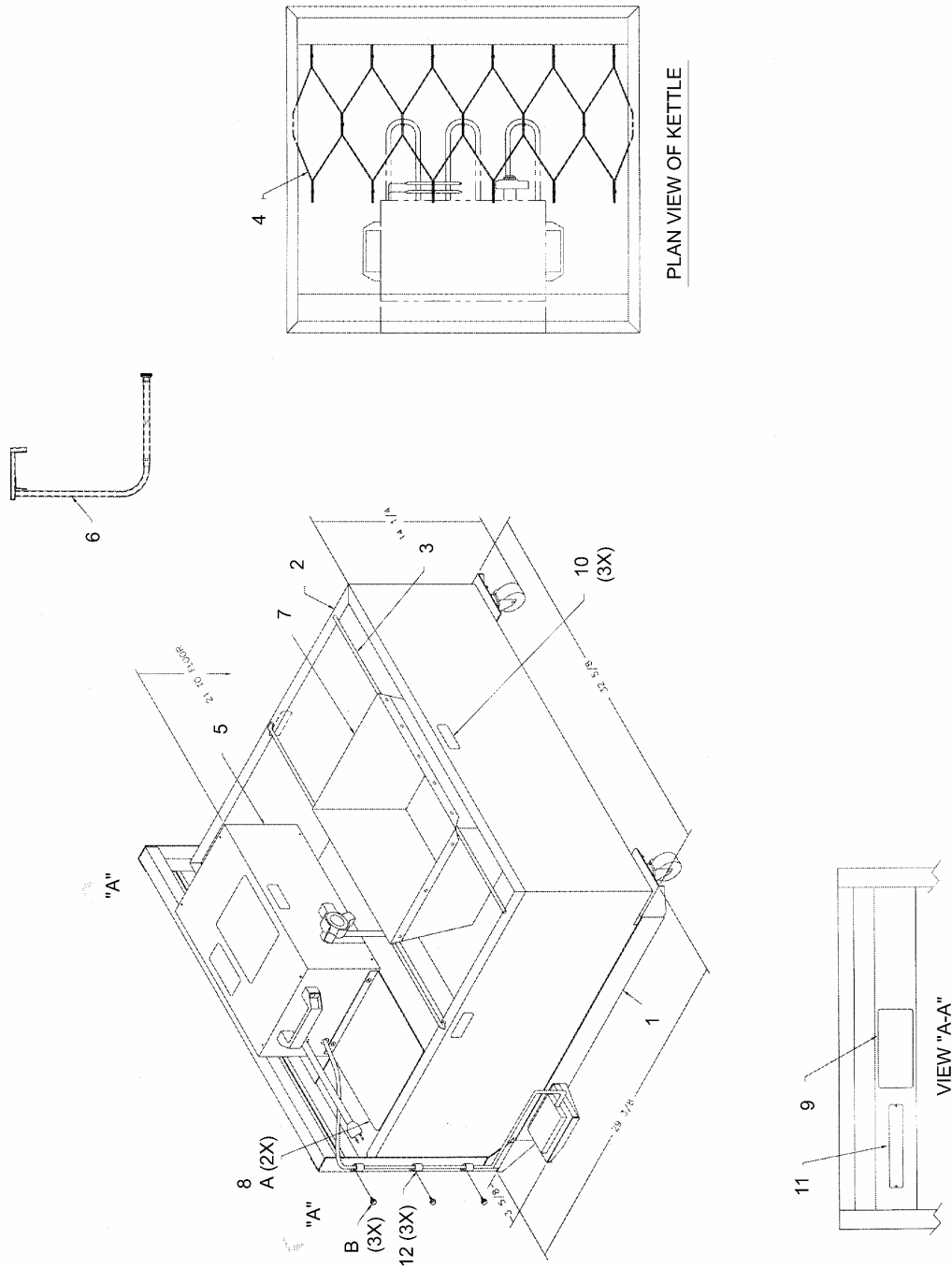


PARTS LIST 5-5 EZ34-2000 SHORTENING MELTER ASSEMBLY (120V)

BILL OF MATERIAL

ITEM	QTY	PART NO.	DESCRIPTION	FASTENERS	
				ITEM QTY.	DESCRIPTION
1	1	EZ34-0500	Kettle Frame, WLDT		
2	1	EZ34-0502	Kettle, WLDT	A	2 ¼-20 X ¼ Tek Screw
3	1	EZ34-0503	Filter Holder, WLDT		
4	1	EZ34-0504	Cube Melter, Assy.		
5	1	EZ34-1000	Motor Enclosure, Assy. (120v)		
6	1	EZ34-0505	Hose Nozzle Assy.		
7	1	EZ34-0027	Filter Bag		
8	1	EZ34-0035	Side Splash Guard		
9	1	EZ34-0036	Label: EZ34 Name Plate		
10	3	618-0116	Label: Caution; Hot		
11	1	0158	Data Plate		
12	3	990-0651	Wire Holder, ½"		

FIGURE 5-5 EZ34-2000 SHORTENING MELTER ASSEMBLY (120V)



PARTS LIST 5-6 EZ34-2001 SHORTENING MELTER ASSEMBLY (240V)

BILL OF MATERIAL

ITEM	QTY	PART NO.	DESCRIPTION	FASTENERS
1	1	EZ34-0500	Kettle Frame, WLDT	ITEM QTY. DESCRIPTION
2	1	EZ34-0502	Kettle, WLDT	A 2 ¼-20 X ¼ Tek Screw
3	1	EZ34-0503	Filter Holder, WLDT	
4	1	EZ34-0504	Cube Melter, Assy.	
5	1	EZ34-1001	Motor Enclosure, Assy. (240v)	
6	1	EZ34-0505	Hose Nozzle Assy.	
7	1	EZ34-0027	Filter Bag	
8	1	EZ34-0035	Side Splash Guard	
9	1	EZ34-0036	Label: EZ34 Name Plate	
10	3	618-0116	Label: Caution; Hot	
11	1	0158	Data Plate	
12	3	990-0651	Wire Holder, ½"	

FIGURE 5-6 EZ34-2001 SHORTENING MELTER ASSEMBLY (240V)

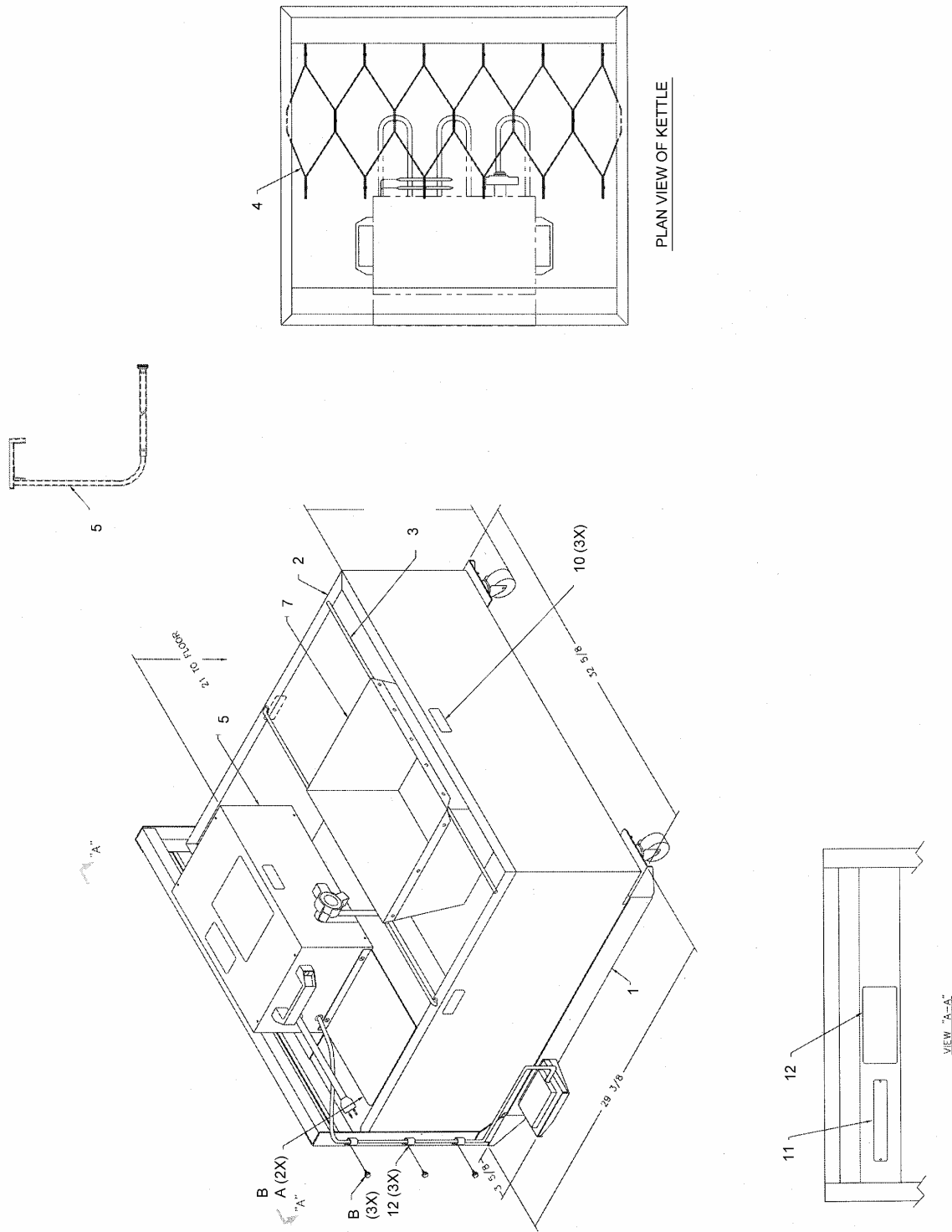


FIGURE 5-7 EZ24/34-1000 HEATER HEAD ASSEMBLY

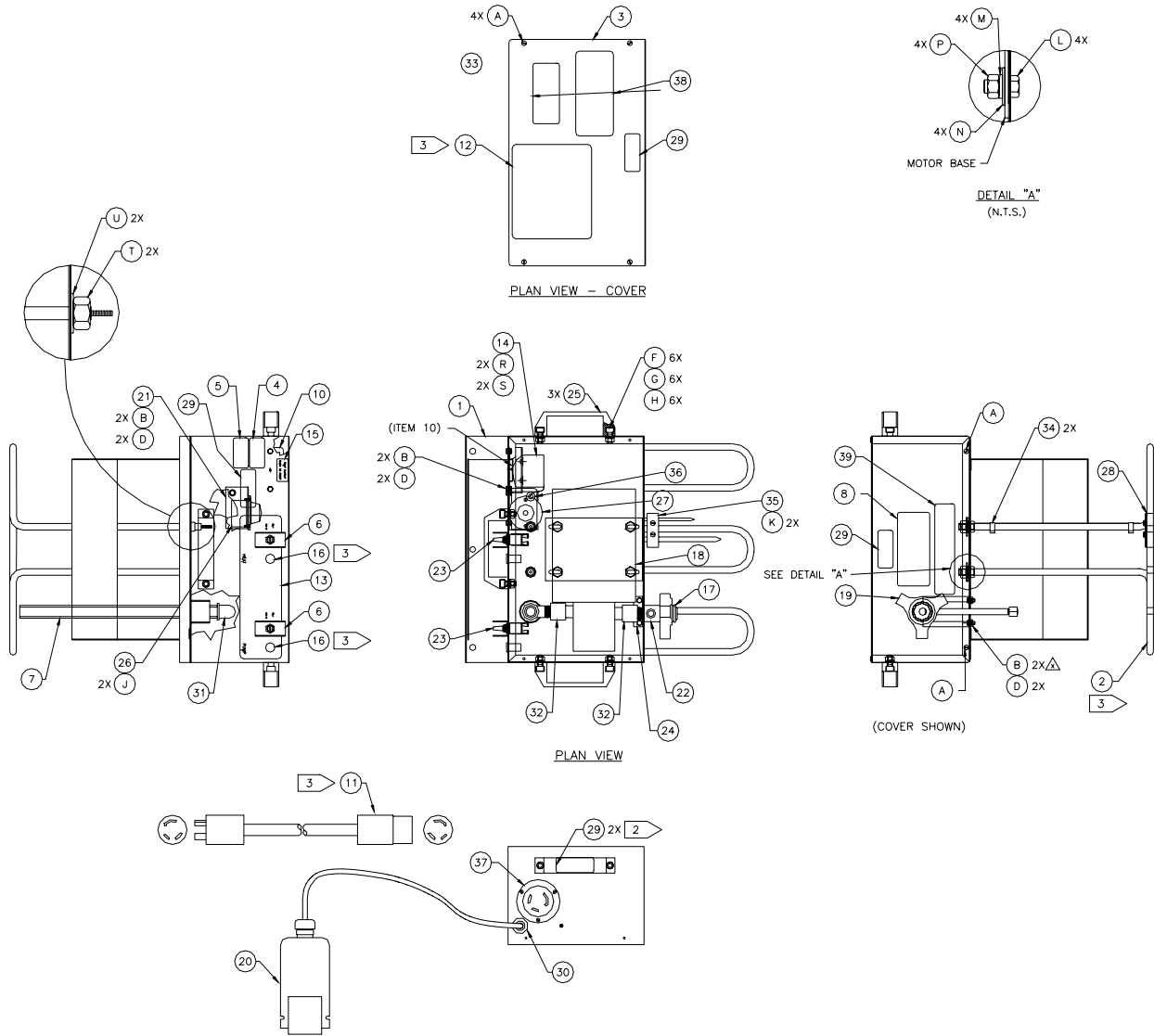
TABULATION								
MOTOR ENCL. ASSY #	VOLTAGE	ELEMENT (ITEM 2)	PICK-UP TUBE (ITEM 7)	CORD ASSY (ITEM 11)	SHORT. LABEL (ITEM 12)	PILOT LIGHT (ITEM 16)	FLNG INLET (ITEM 37)	WIRING DIAGRAM
EZ24-1000	120V	EZ24-0001	EZ24-0003	EZ34-0508-9	EZ6-0021	PLT-0002	EZ34-0041	EZ24-4000
EZ24-1001	240V	EZ24-0002	EZ24-0003	EZ34-0509-9	EZ6-0021	PLT-0001	EZ34-0042	EZ24-4001
EZ34-1000	120V	EZ34-0016	EZ34-0032	EZ34-0508-9	EZ34-0037	PLT-0002	EZ34-0041	EZ34-4000
EZ34-1001	240V	EZ34-0015	EZ34-0032	EZ34-0509-9	EZ34-0037	PLT-0001	EZ34-0042	EZ34-4001

BILL OF MATERIAL			
ITEM #	QTY.	PART #	DESCRIPTION
1	1	EZ34-0501	WLDT; ENCLOSURE; MOTOR
2	1	1	HEATER; TUBULAR
3	1	EZ34-0024	COVER; ENCLOSURE; MOTOR
4	1	904-0041	LABEL; ETL, UL STD 1889, CSA
5	1	904-0035	LABEL; ETL, NSF STD 4
6	2	EZ34-0031	PROTECTOR; SWITCH
7	1	1	TUBE; PICKUP
8	1	EP18/24-0140	LABEL; BELSHAW
10	1	MK-0283	HIGH LIMIT MNTG BRKT
11	1	1	ASSY; PWR CORD; 9', LKNG
12	1	1	LABEL; SHORTENING LEVEL
13	1	EZ24-0015	LABEL; HEATER/MOTOR SWITCH
14	1	FM200-0065M	SWITCH; HI-LIMIT SAFETY
15	1	FM200-0066	TEMP. CUTOOUT LABEL
16	2	1	PILOT LIGHT
17	1	SF100-0031	"O" RING
18	1	SF100-46	PUMP/MOTOR, 115/230V, 50/60 HZ, 1 PH
19	1	SF100-0022	COUPLING; BRONZE
20	1	SK-1199	FOOT SWITCH
21	1	SM100-0029	MOUNT BRKT; THERMOSTAT
22	1	SM100-0505	LINE BLEEDER ASSY
23	2	SWT-0002	TOGGLE SWITCH; 20A, CE
24	1	EZ34-0034	COVER; SLOT; ENCLOSURE
25	3	EZ24-0019	PULL HANDLE
26	1	618-0008	THERMOSTAT; SINGLE POLE
27	1	618-0008A	KNOB; THERMOSTAT
28	1	MK-0274	CLAMP; BULB BRACKET
29	5	618-0116	LABEL; HOT
30	1	992-0002	SHC-1023 CORD CLAMP, .375-.500
31	1	958-0014D	90° STREET EL, 1/2" MALE/FEMALE
32	2	SF100-0045A	FITTING; 1/2" B.I.P.
33	1	MDD-0459	LABEL; WARNING-HAZ. MAT.
34	2	618L-0100	CLIP (CAP TUBE TO ELEMENT)
35	1	MK-0275	BULB CLAMP TOP
36	1	905-0081	GROMMET
37	1	1	FLNG'D INLET
FASTENERS			
A	6	903-0415SS	SCREW; SLTD; PN HD; #8-32 X 1/2
B	6	903-0501SS	SCREW; MACH; HX HD; #10-24 X 3/8
D	6	903-7513	WASHER; LOCK; #10
F	6	903-5102	NUT; 5/16
G	6	903-7542SS	WASHER; LOCK; 5/16
H	6	903-1320SS	BOLT; SCKT; HX HD; 5/16-18 X 3/4
J	2	903-0245	SCREW; SLTD; RD HD; #4-40 X 1/4
K	2	903-0519SS	SCREW; MACH; HX HD; #10-24 X 1/2
L	4	903-0983	BOLT; SKT HD; 1/4-20 X 3/4
M	4	903-7529	WASHER; LOCK; 1/4
N	4	903-7531SS	WASHER; FLAT; 1/4
P	4	903-5200	NUT; 1/4-20
R	2	903-0330	SCREW; SLTD; PN HD; #6-32 X 1/2
S	2	903-5075	NUT; #6
T	2	903-5302	NUT; 5/8-11
U	2	903-7600	WASHER; FLAT; 5/8

NOTES:

1 SEE TABULATION

PARTS LIST 5-7 EZ24/34-1000 HEATER HEAD ASSEMBLY



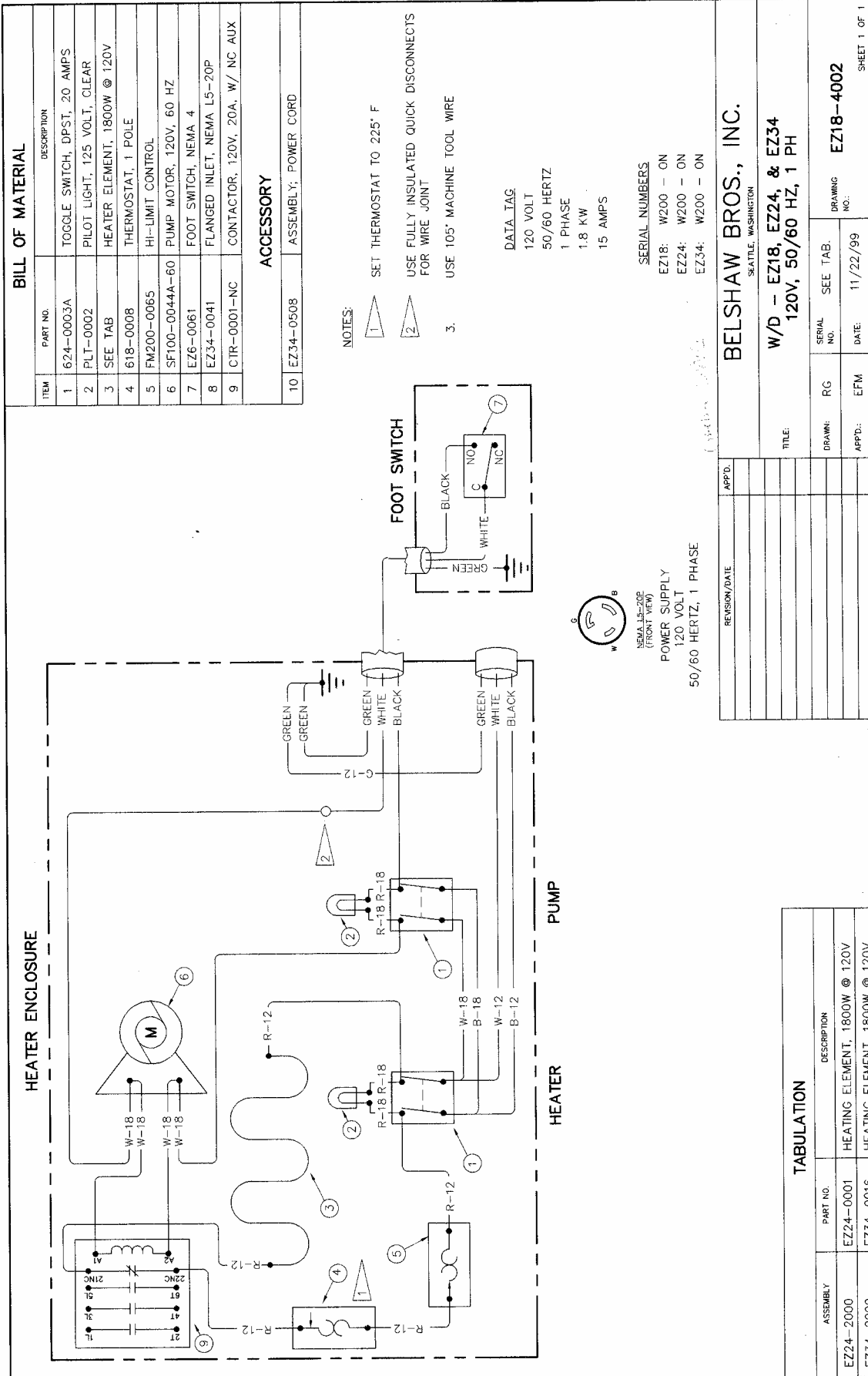
6

Wiring Diagrams

This section contains the following wiring diagrams:

EZ18-4002 (120V, 50/60 Hz, 1 Ph)

EZ18-4003 (208/240V, 50/60 Hz, 1 Ph)



BILL OF MATERIAL

ITEM	PART NO.	DESCRIPTION
1	624-0003A	TOGGLE SWITCH, DPST, 20 AMPS
2	PLT-0002	PILOT LIGHT, 125 VOLT, CLEAR
3	SEE TAB	HEATER ELEMENT, 1800W @ 120V
4	618-0008	THERMOSTAT, 1 POLE
5	FM200-0065	HI-LIMIT CONTROL
6	SFT00-0044A-60	PUMP MOTOR, 120V, 60 HZ
7	EZ6-0061	FOOT SWITCH, NEMA 4
8	EZ34-0041	FLANGED INLET, NEMA LS-20P
9	CTR-0001-NC	CONTACTOR, 120V, 20A, W/ NC AUX
ACCESSORY		
10	EZ34-0508	ASSEMBLY, POWER CORD

NOTES:

1. SET THERMOSTAT TO 225° F
2. USE FULLY INSULATED QUICK DISCONNECTS FOR WIRE JOINT
3. USE 105° MACHINE TOOL WIRE

DATA TAG
 120 VOLT
 50/60 HERTZ
 1 PHASE
 1.8 KW
 15 AMPS

SERIAL NUMBERS

EZ18: W200 - ON
 EZ24: W200 - ON
 EZ34: W200 - ON

BELSHAW BROS., INC.
 SEATTLE, WASHINGTON

W/D - EZ18, EZ24, & EZ34
 120V, 50/60 HZ, 1 PH

REVISION/DATE	APPD.

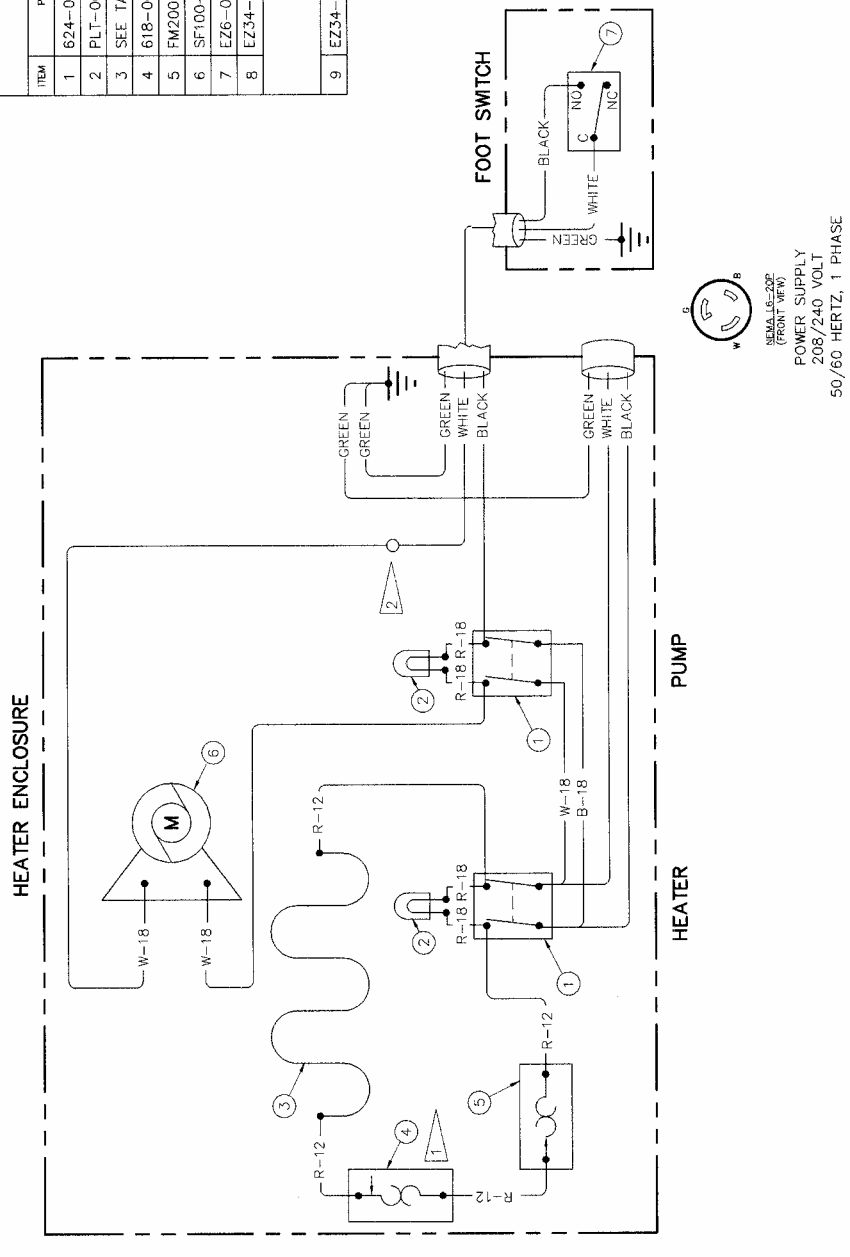
TABULATION

ASSEMBLY	PART NO.	DESCRIPTION
EZ24-2000	EZ24-0001	HEATING ELEMENT, 1800W @ 120V
EZ34-2000	EZ34-0016	HEATING ELEMENT, 1800W @ 120V

DRAWN:	RG	SEE TAB.	DRAWING NO.
APPD.: <td>EFM <td>11/22/99 <td>EZ18-4002</td> </td></td>	EFM <td>11/22/99 <td>EZ18-4002</td> </td>	11/22/99 <td>EZ18-4002</td>	EZ18-4002

BILL OF MATERIAL	
ITEM	DESCRIPTION
1	TOGGLE SWITCH, DPST, 20 AMPS
2	PILOT LIGHT, 250 VOLT, CLEAR
3	SEE TAB.
4	HEATER ELEMENT, 2000W @ 240V
5	THERMOSTAT, 1 POLE
6	HI-LIMIT CONTROL
7	PUMP MOTOR, 120/240 V, 50/60 HZ
8	FLANGED INLET, NEMA L6-20P
ACCESSORY	
9	ASSEMBLY, POWER CORD, 20A, 240V, LOCKING

- NOTES:
1. SET THERMOSTAT TO 225° F
 2. USE FULLY INSULATED QUICK DISCONNECTS FOR WIRE JOINT
 3. USE 105°C MACHINE TOOL WIRE
- DATA TAG
 208/240 VOLT
 50/60 HERTZ
 1 PHASE
 1.8/2.3 KW
 9.5/10.5 AMPS



REVISION/DATE	

APPD. _____

TITLE: BELSHAW BROS., INC.
 SEATTLE, WASHINGTON

W/D - EZ18, EZ24, & EZ34
 208/240V, 50/60 HZ, 1 PH

DRAWN	RC	SEE TAB	DRAWING NO.
			EZ18-4003

APPD.	EFM	DATE	SHEET 1 OF 1
		11/22/99	

TABULATION	
ASSEMBLY	DESCRIPTION
EZ24-2001	HEATING ELEMENT, 2000W @ 240V
EZ34-2001	HEATING ELEMENT, 2000W @ 240V

Free Manuals Download Website

<http://myh66.com>

<http://usermanuals.us>

<http://www.somanuals.com>

<http://www.4manuals.cc>

<http://www.manual-lib.com>

<http://www.404manual.com>

<http://www.luxmanual.com>

<http://aubethermostatmanual.com>

Golf course search by state

<http://golfingnear.com>

Email search by domain

<http://emailbydomain.com>

Auto manuals search

<http://auto.somanuals.com>

TV manuals search

<http://tv.somanuals.com>