

PS2V-12 Variable Power Supplies

12V dc Adjustable-Output Power Supplies for Banner Lights



Features

- Provides two independently-adjustable channels of selectable 4 to 12V dc (manual) or 7 to 12V dc (analog) power; up to 2A per channel
- Supplies power to two separate Banner continuous LED lights, or to one light requiring two power sources
- Output voltage may be controlled manually, or by using external analog signal
- 90 to 264V ac input

Models

Models	Power Input	Power Input Cords	Outputs (dc)	Analog Input Connections	Output Connections
PS2V-12†	90 to 264V ac 47 to 440 Hz 1.5 A	1.8 m (6') cable	2 A max. each channel Two output options: • 4 to 12V dc manual knob • 7-12V dc analog input	9-pin male D-subminiature (see hookups on back page)	9-pin female D-subminiature (see hookups on back page)
PS2V-12E†	90 to 264V ac 47 to 440 Hz 0.9 A				

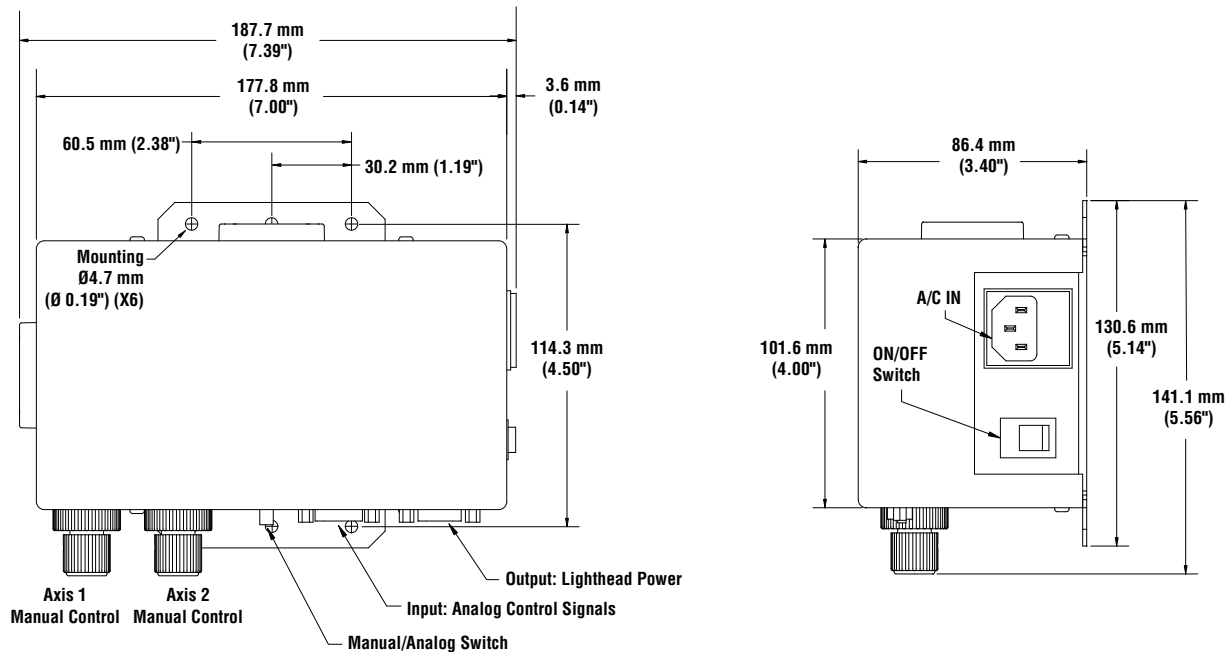
† These models are not stocked and are non-returnable

Specifications

Adjustment	Switch used to change output voltage control from manual to analog input; Two lockable knobs for manual control of output voltage
Analog Input	0 to 10V dc, 10 mA max.
Construction	Painted steel enclosure
Environmental Rating	IEC IP20; NEMA 1
Operating Conditions	Temperature: +5° to 40°C (+41° to 104°F) Max. Relative Humidity: 95% (non-condensing)

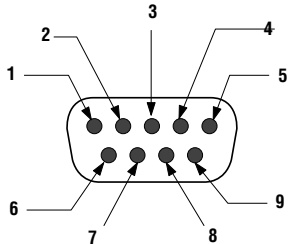
PS2V-12 Variable Power Supplies

Dimensions



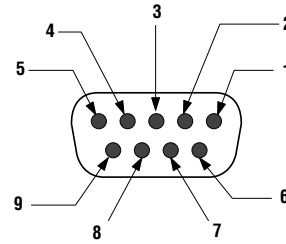
Hookups

9-Pin Male Input Pinout (Power Supply Connection Shown)



Pin 1	0 to 10V dc @ 10 mA (controls output pins 3 and 5)
Pin 2	Analog common
Pin 3	Analog common
Pin 4	0 to 10V dc @ 10 mA (controls output pins 3 and 4)

9-Pin Female Output Pinout (Power Supply Connection Shown)



Pin 1	+12V dc (used only on lights with dc fans)
Pin 2	dc common (used only on lights with dc fans)
Pin 3	dc common ground
Pin 4	+4 to 12V dc (manual) +7 to 12V dc (analog)
Pin 5	+4 to 12V dc (manual) +7 to 12V dc (analog)



WARRANTY: Banner Engineering Corp. warrants its products to be free from defects for one year. Banner Engineering Corp. will repair or replace, free of charge, any product of its manufacture found to be defective at the time it is returned to the factory during the warranty period. This warranty does not cover damage or liability for the improper application of Banner products. This warranty is in lieu of any other warranty either expressed or implied.

Free Manuals Download Website

<http://myh66.com>

<http://usermanuals.us>

<http://www.somanuals.com>

<http://www.4manuals.cc>

<http://www.manual-lib.com>

<http://www.404manual.com>

<http://www.luxmanual.com>

<http://aubethermostatmanual.com>

Golf course search by state

<http://golfingnear.com>

Email search by domain

<http://emailbydomain.com>

Auto manuals search

<http://auto.somanuals.com>

TV manuals search

<http://tv.somanuals.com>