



TEA PARTY MOTIF PLAY KITCHEN



**Assembly Instructions.
Adult Assembly Required.
Read all instructions before use.
Save instructions for future use.**

MODEL NUMBER:

09970

VERSION CODE:

1.0/0209/WL

Visit us online at www.badgerbasket.com

Toll-Free Customer Service: 1-800-236-1310 (Monday to Thursday 7:30 AM-4:30 PM CST)

Web: <http://www.badgerbasket.com/parts> • **E-mail:** parts1@badgerbasket.com

Mail: PO Box 227, Edgar, WI 54426-0227 • **Phone:** 715-352-2311 • **Fax:** 715-352-3163

Download from www.Somanuals.com. All Manuals Search And Download.



BEFORE YOU BEGIN ASSEMBLY:

Check all parts and hardware. If anything is missing or not satisfactory, please **DO NOT** call the store or return the product to them. Contact Badger Basket. Most problems are resolved without you needing to leave home. When contacting us, please have this instruction manual, your product model number, and your product version code ready. For fastest service, go to <http://www.badgerbasket.com/parts>
Your Product Version Code is: 1.0/0209/WL

USE AND CARE INSTRUCTIONS:

Wipe clean with a damp cloth and mild soap as needed.

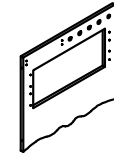
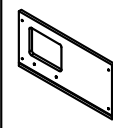

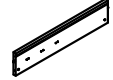


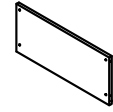
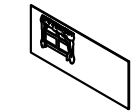
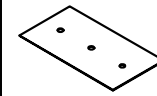
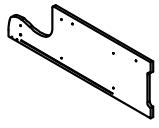
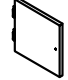
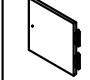
ASSEMBLY NOTES:



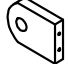
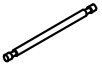



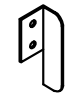




Assemble the item on a carpeted surface to prevent scratches or damage during assembly. Do not fully tighten all of the hardware until all parts are in position; then go back and tighten everything securely (but do not overtighten). A power screwdriver is helpful for assembly but keep your torque setting low so you do not damage the product or strip the hardware.



WARNING - FAILURE TO FOLLOW THESE WARNINGS AND THE INSTRUCTIONS COULD RESULT IN SERIOUS INJURY OR DEATH

READ ALL INSTRUCTIONS before use of this product. Keep instructions for future use. Use only the parts and hardware provided by Badger Basket. Do not use the product if it is damaged or broken. Product and/or hardware may include small parts or screws with sharp points. **Choking Hazard!** Keep unassembled parts out of the reach of small children. **DO NOT** allow anyone to climb or play on or inside of this product. **Periodically check** to make sure all the screws remain tight. The holes in the back panel of this product are in compliance with safety standards and are not a product defect. **This item is designed for children who are THREE (3) YEARS OF AGE AND OLDER.**

A	B	C	D	E	F	G	H	I	J	K	L
											
1PC	1PC	1PC	1PC	1PC	1PC	1PC	1PC	1PC	1PC	1PC	1PC

M	N	O	P	Q	R	S	T	U	V	W	X	TOOL NEEDED
												PHILLIPS SCREW DRIVER
2PCS	1PC	2PCS	1PC	5PCS	3PCS	5PCS	5PCS	13PCS	16PCS	8PCS	16SETS	NOT INCLUDED

A - FRONT PANEL

B - COUNTERTOP

C - FAUCET

D - TOP SHELF

E - TOP PANEL

F - LEFT SIDE

G - BOTTOM SHELF

H - UPPER BACK PANEL

I - LOWER BACK PANEL

J - RIGHT SIDE

K - LEFT DOOR

L - RIGHT DOOR

M - KNOBS

N - SINK

O - TOWEL BAR SUPPORTS

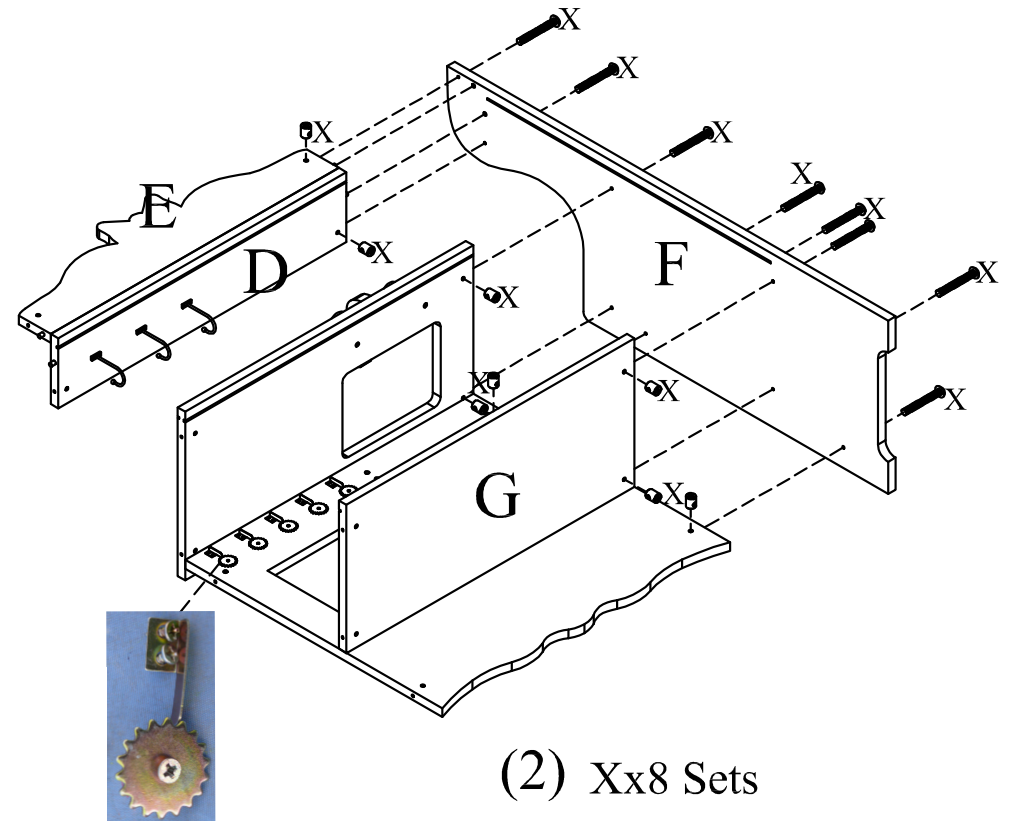
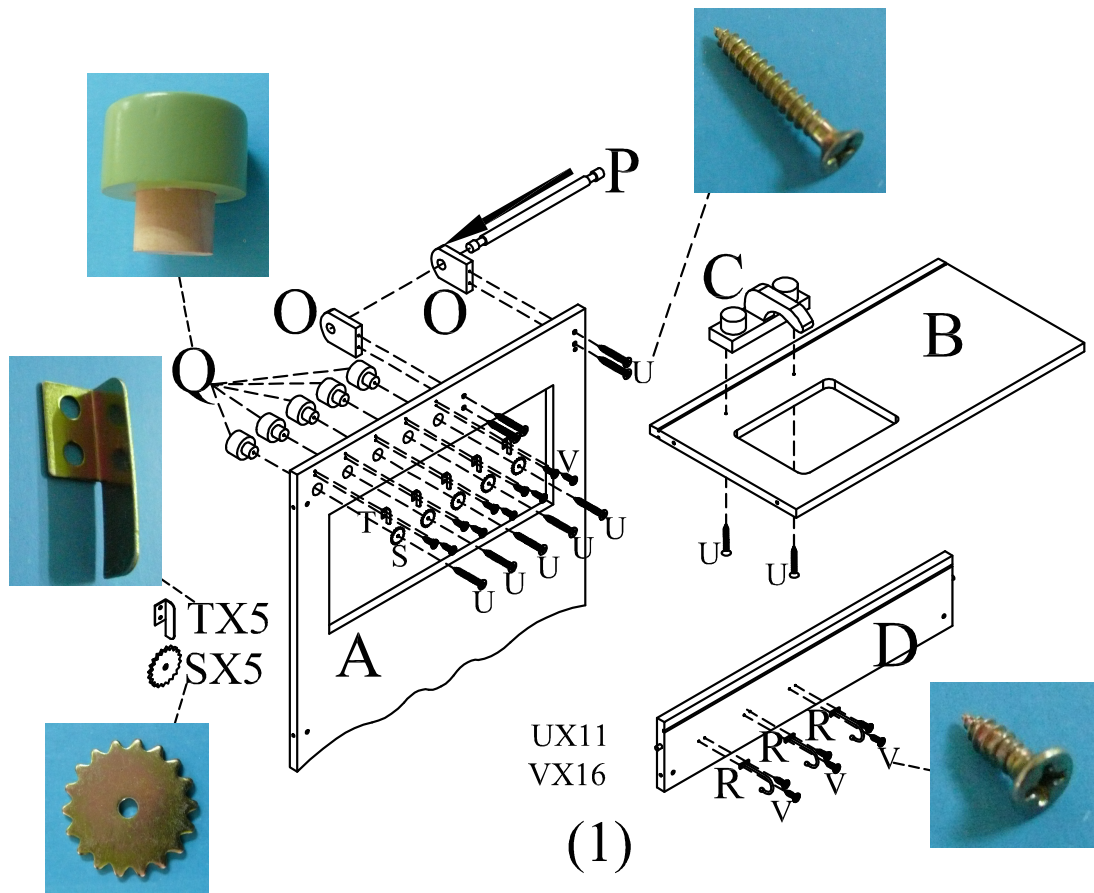
P - TOWEL BAR DOWEL

Q - STOVE KNOBS

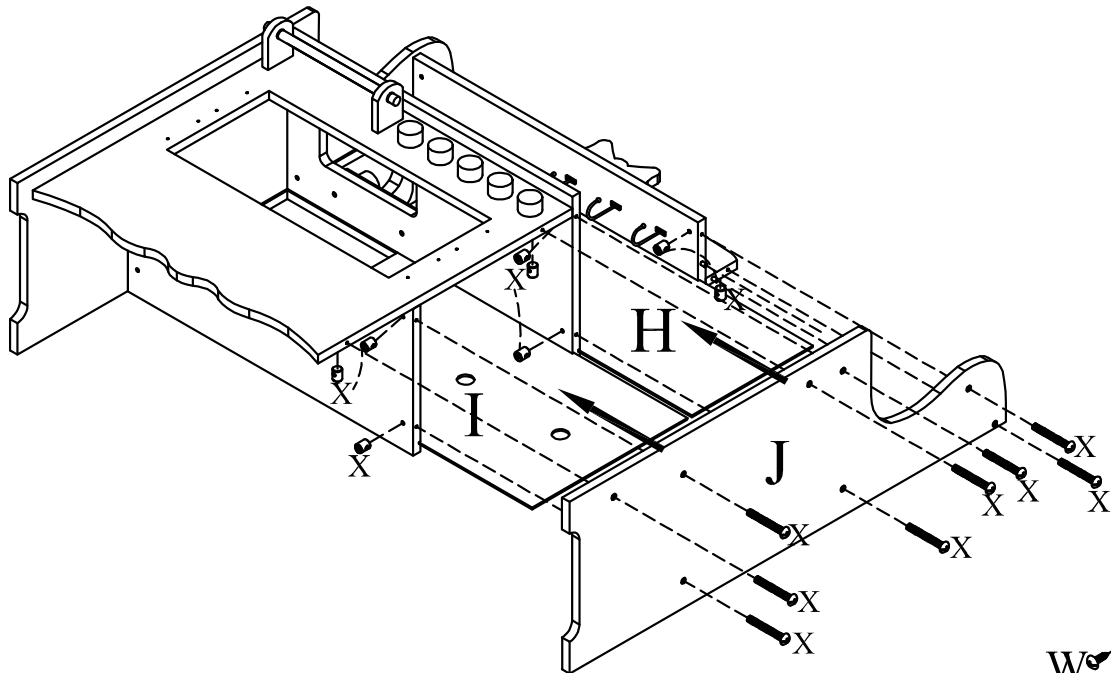
R - CUP HOOKS

S - CLICK WHEEL

T - CLICK PLATE

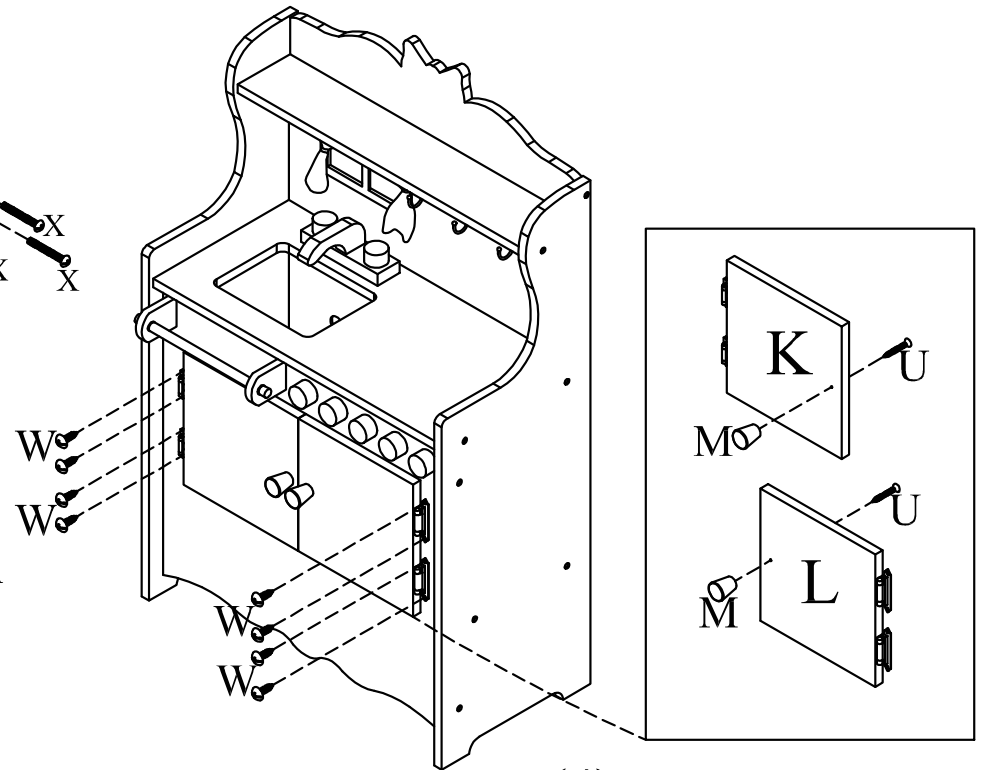


Attach the stove knobs and towel bar to the front panel.
 Attach the faucet to the countertop.
 Attach the cup hooks to the underside of the top shelf.

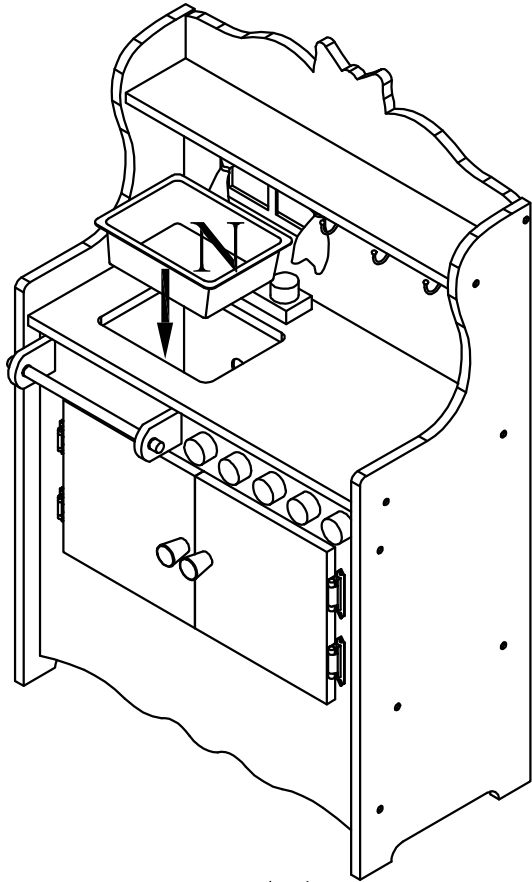


(3) Xx8 Sets

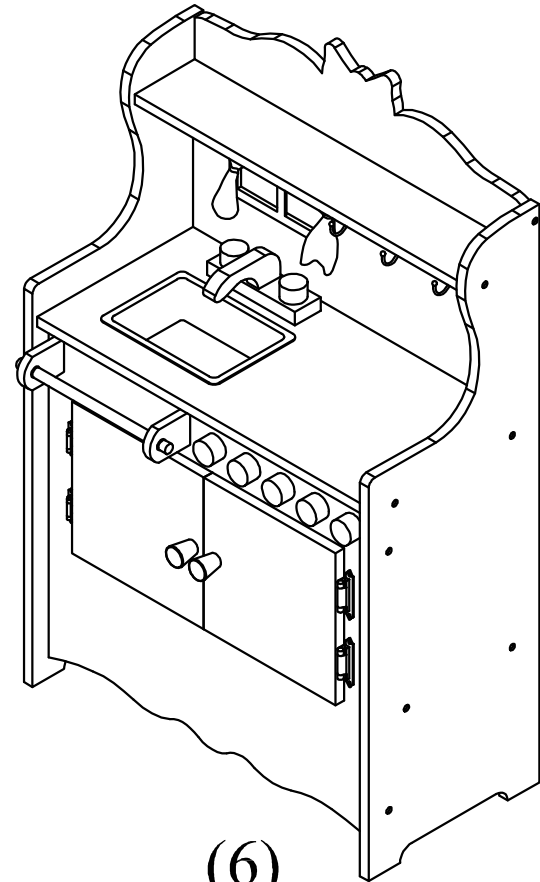
Insert the upper and lower back panels before you attach the right side panel.



(4) Ux2, Wx8



(5)



(6)

Note: please do not allow children to use water in the sink in order to prevent damage to the rest of the unit.

Free Manuals Download Website

<http://myh66.com>

<http://usermanuals.us>

<http://www.somanuals.com>

<http://www.4manuals.cc>

<http://www.manual-lib.com>

<http://www.404manual.com>

<http://www.luxmanual.com>

<http://aubethermostatmanual.com>

Golf course search by state

<http://golfingnear.com>

Email search by domain

<http://emailbydomain.com>

Auto manuals search

<http://auto.somanuals.com>

TV manuals search

<http://tv.somanuals.com>