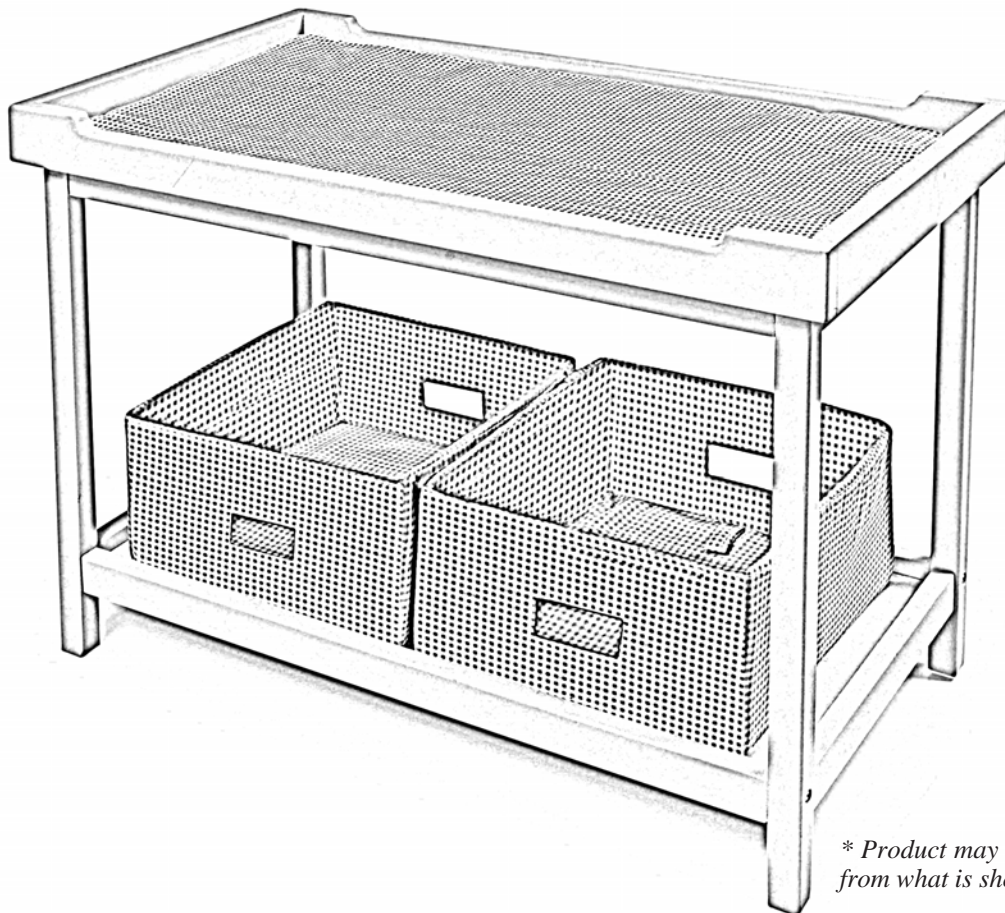




CHERRY DOLL CHANGING TABLE WITH BASKETS

MODEL NUMBER:
01867

Assembly Instructions.
Adult Assembly Required.



** Product may vary slightly
from what is shown here.*

Visit us online at www.badgerbasket.com

Toll-Free Customer Service: 1-800-236-1310 (Monday to Thursday 7:30 AM-4:30 PM CST)

Web: <http://www.badgerbasket.com/parts> • **E-mail:** parts1@badgerbasket.com

Mail: PO Box 227, Edgar, WI 54426-0227 • **Phone:** 715-352-2311 • **Fax:** 715-352-3163



BEFORE YOU BEGIN ASSEMBLY:

Check all parts and hardware.

If anything is missing or not satisfactory,
please **DO NOT** call the store or return the product to them.

Contact Badger Basket for assistance.

Most problems are resolved without you needing to leave home.

When contacting us, please have this instruction manual, your
product model number, and your product version code ready.

For fastest service, go to

<http://www.badgerbasket.com/parts>

Your Product Version Code is: 1.0/0908/TG



WARNING - CAUTION

READ ALL INSTRUCTIONS before use of this product. Product and/or
Hardware may include small parts or screws with sharp points.

Choking Hazard! Keep unassembled parts out of the reach of small children.

Use only the parts and hardware provided by Badger Basket.

Keep instructions for future use. Do not use the product if it is damaged or
broken. Periodically inspect the product and retighten hardware if needed.

This item is a toy for dolls only. It is never to be used for real children
or pets. **For children ages three (3) years and older.**

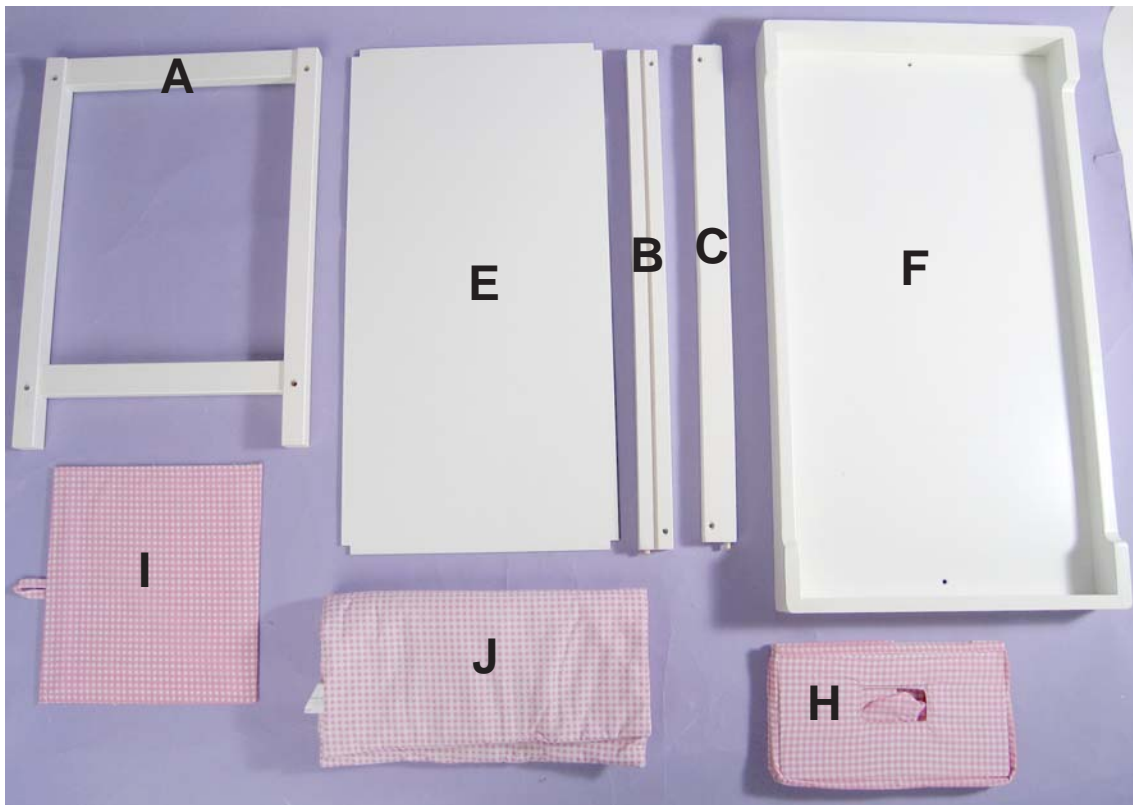
TOOLS NEEDED:

Phillips Screwdriver

(power driver is helpful but be careful not to damage the product)

PARTS INCLUDED:

- (A) 2 - Side Frames
- (B) 2 - Bottom Rails with Grooves
- (C) 2 - Top Rails
- (D) 8 - Long Bolts (not shown)
- (E) 1 - Bottom Panel
- (F) 1 - Top Panel
- (G) 2 - Short Bolts (not shown)
- (H) 2 - Baskets
- (I) 2 - Basket Bottoms
- (J) 1 - Pad

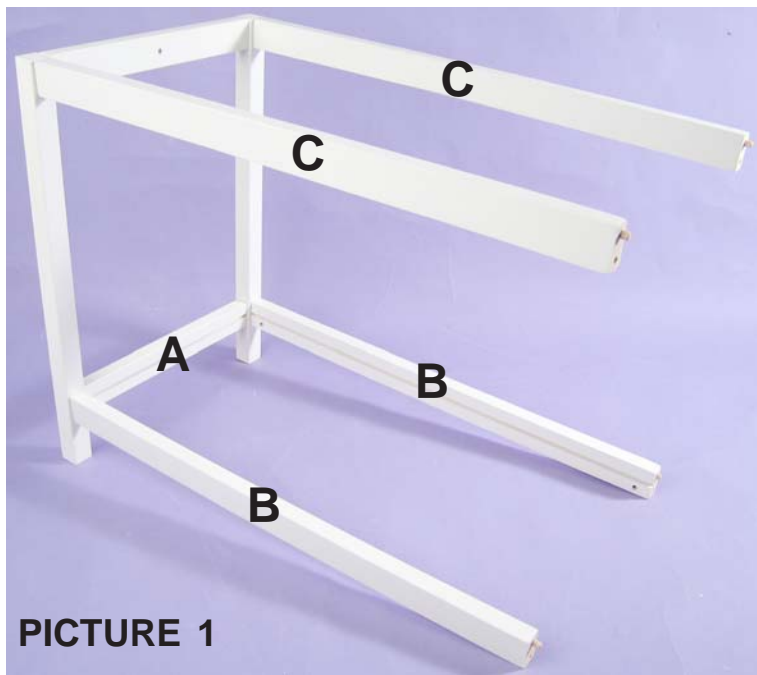


CARE INSTRUCTIONS:

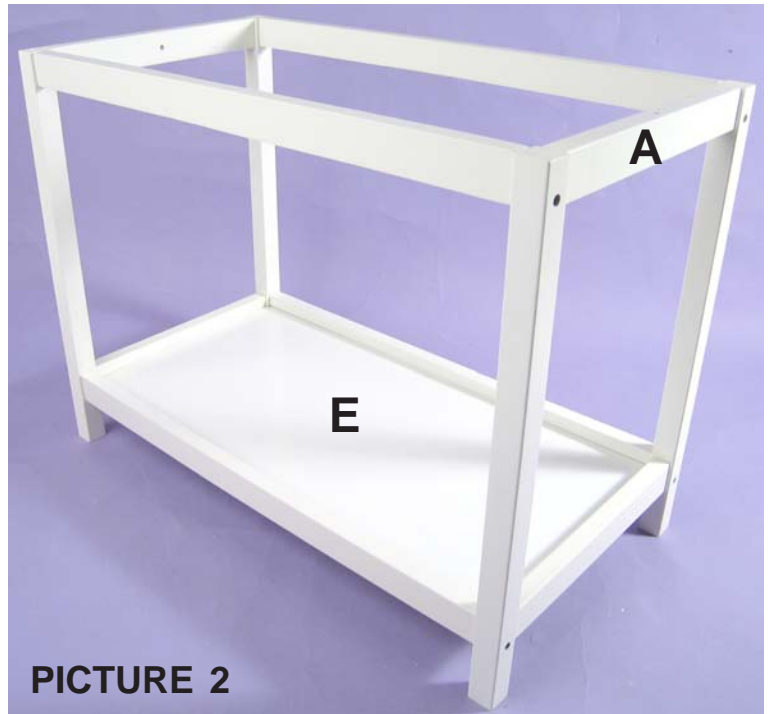
Wood/MDF parts can be wiped clean with a damp cloth. The fabric parts are poly/cotton. Do not immerse baskets in water. Spot clean as needed with mild soap and let air dry. Pad can be machine washed but only with **cold water, gentle cycle, and air dry.**
For longevity of the product, we recommend hand washing the pad.

NOTE:

A WHITE DOLL CHANGING TABLE IS SHOWN IN THE ASSEMBLY PHOTOS. ALL PARTS AND ASSEMBLY STEPS ARE THE SAME FOR THE CHERRY MODEL.



PICTURE 1



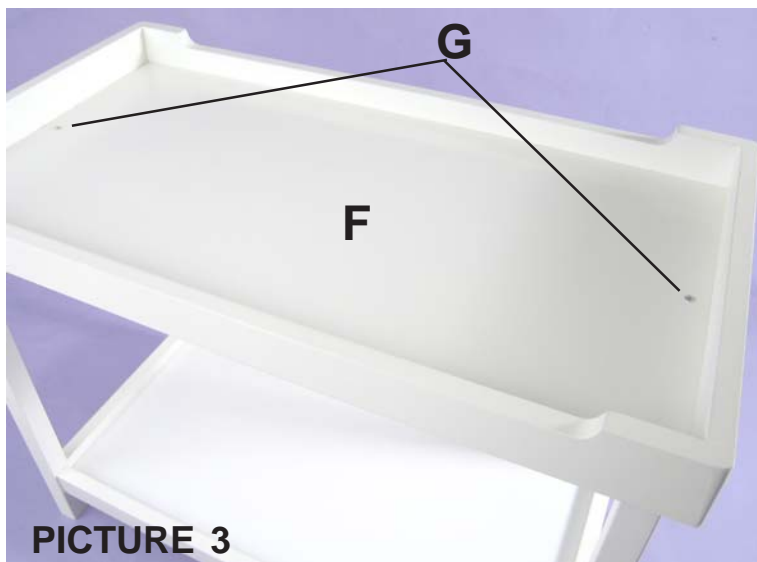
PICTURE 2

STEP 1: See PICTURE 1. Attach the TWO BOTTOM RAILS (B), with the grooves facing in, and the TWO TOPRAILS (C) to ONE SIDE FRAME (A) using FOUR LONG BOLTS (D). The countersunk holes on the side frames face out so the heads of the bolts will be concealed.

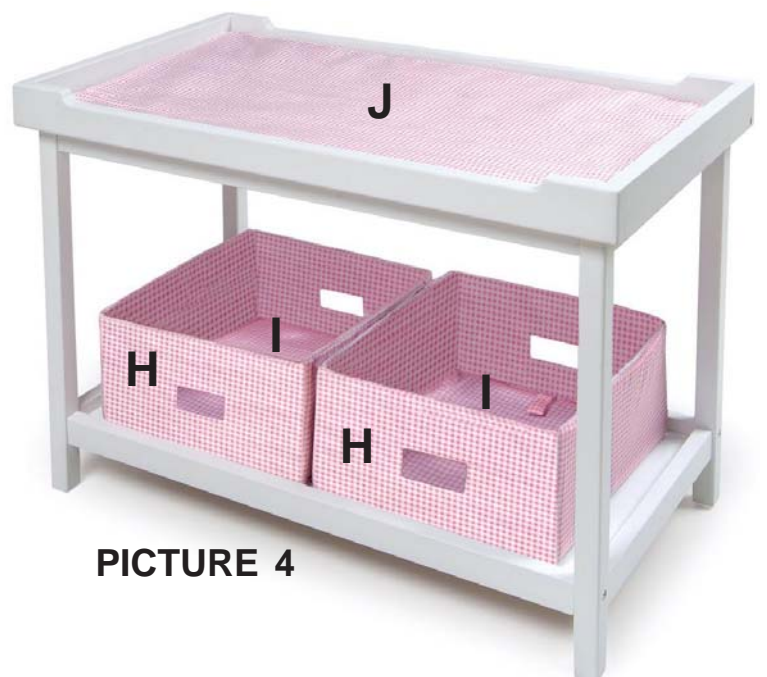
STEP 2: See PICTURE 2. Slide the BOTTOM PANEL (E) into the grooves on the BOTTOM RAILS (B) with the white side facing up. Next, attach the second SIDE FRAME (A) to the TWO BOTTOM RAILS (B) and the TWO TOP RAILS (C) using FOUR LONG BOLTS (D).

STEP 3: See PICTURE 3. Position the TOP PANEL (F) and line up the two holes. Secure the top panel to the SIDE FRAMES (A) using the TWO SHORT BOLTS (G).

STEP 4: See PICTURE 4: Unfold the BASKETS (H) and place the BASKET BOTTOMS (I) inside. Place the baskets on the bottom panel; and place the PAD (J) onto the top panel.



PICTURE 3



PICTURE 4

Free Manuals Download Website

<http://myh66.com>

<http://usermanuals.us>

<http://www.somanuals.com>

<http://www.4manuals.cc>

<http://www.manual-lib.com>

<http://www.404manual.com>

<http://www.luxmanual.com>

<http://aubethermostatmanual.com>

Golf course search by state

<http://golfingnear.com>

Email search by domain

<http://emailbydomain.com>

Auto manuals search

<http://auto.somanuals.com>

TV manuals search

<http://tv.somanuals.com>