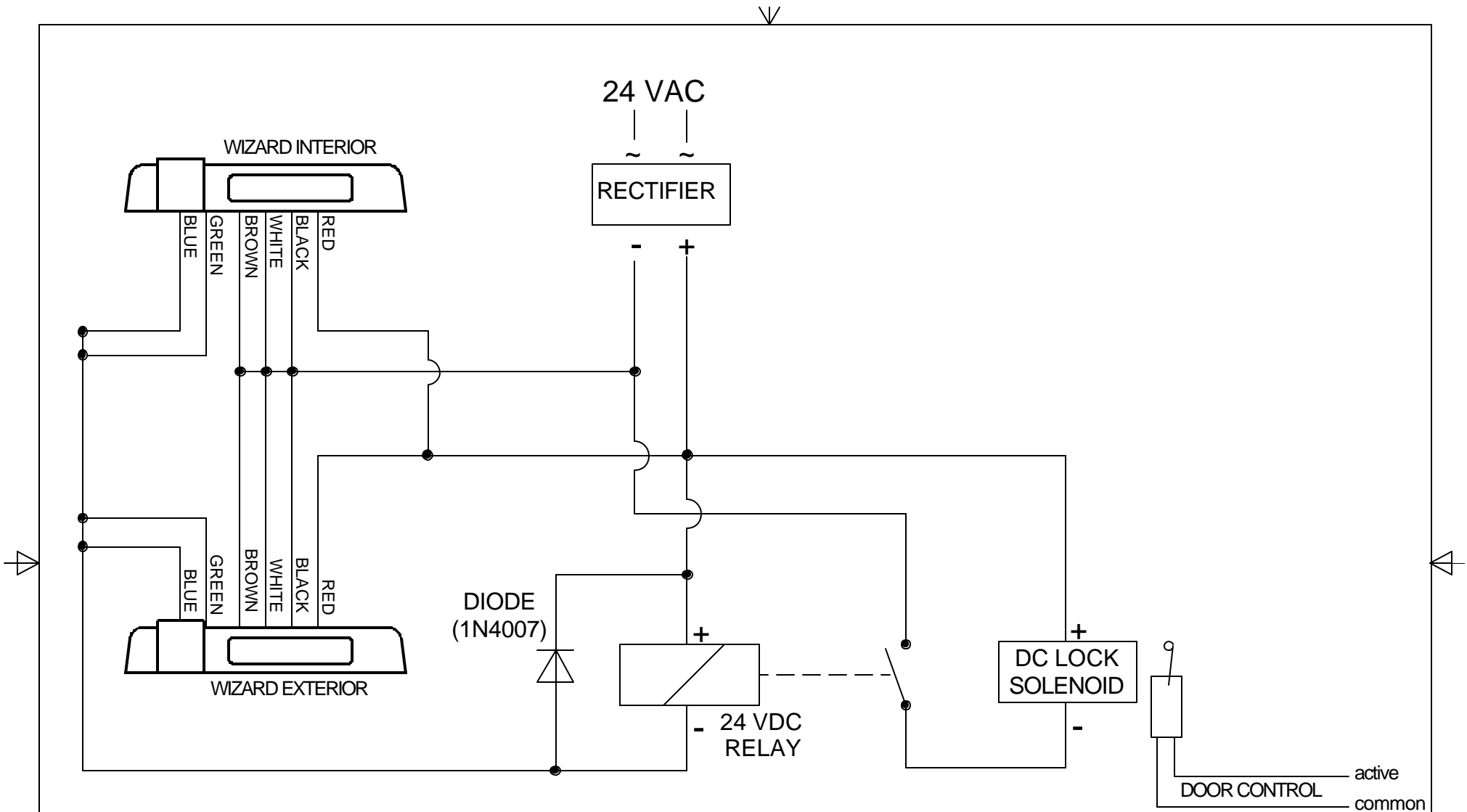


		B.E.A., Inc. 100 Enterprise Drive, Pittsburgh, PA 15275 PH: (412) 249-4100 FAX: (412) 249-4101			
TITLE: SLIDING DOOR LOCK WITH WIZARDS (AC ONLY)					
SIZE	CAGE CODE	DWG NO	FILE OF:	DRAWN BY:	REV
A		80.0001	ENG'G	JED	01
SCALE	DATE:		SHEET		
NONE	02 JAN 04		1 OF 1		

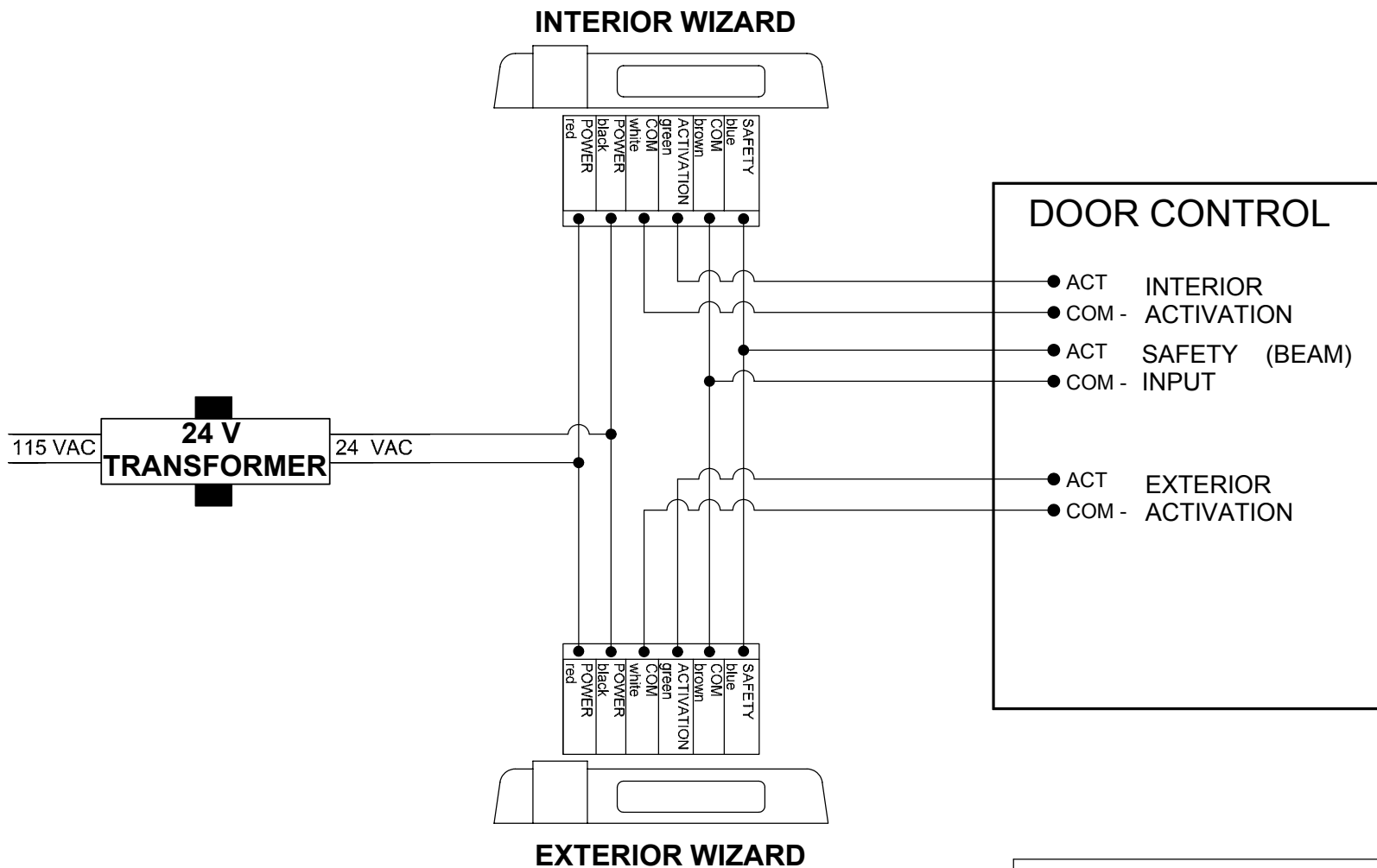


BEA
We open up New Horizons

B.E.A., Inc.
100 Enterprise Drive, Pittsburgh, PA 15275
PH: (412) 249-4100 FAX: (412) 249-4101

**TITLE: SLIDING DOOR
LOCK WITH WIZARDS
(DC ONLY)**

SIZE A	CAGE CODE	DWG NO 80.0002	FILE OF: ENG'G	DRAWN BY: JED	REV 01
SCALE NONE	DATE: 02 JAN 04			SHEET 1 OF 1	



NOTES: BROWN WIRE MUST BE CONNECTED TO GROUND OR COMMON

IF AFTER TROUBLESHOOTING A PROBLEM, A SATISFACTORY SOLUTION CANNOT BE ACHIEVED, PLEASE CALL B.E.A., INC. FOR FURTHER ASSISTANCE DURING EASTERN STANDARD TIME AT 1-800-523-2462 FROM 8AM - 5PM. FOR AFTER-HOURS, CALL EAST COAST: 1-866-836-1863 OR 1-800-407-4545 / MID-WEST: 1-888-308-8843 / WEST COAST: 1-888-419-2564. DO NOT LEAVE ANY PROBLEM UNRESOLVED. IF YOU MUST WAIT FOR THE FOLLOWING WORKDAY TO CALL B.E.A., LEAVE THE DOOR INOPERABLE UNTIL SATISFACTORY REPAIRS CAN BE MADE. NEVER SACRIFICE THE SAFE OPERATION OF THE AUTOMATIC DOOR OR GATE FOR AN INCOMPLETE SOLUTION.WEB: WWW.BEASENSORS.COM

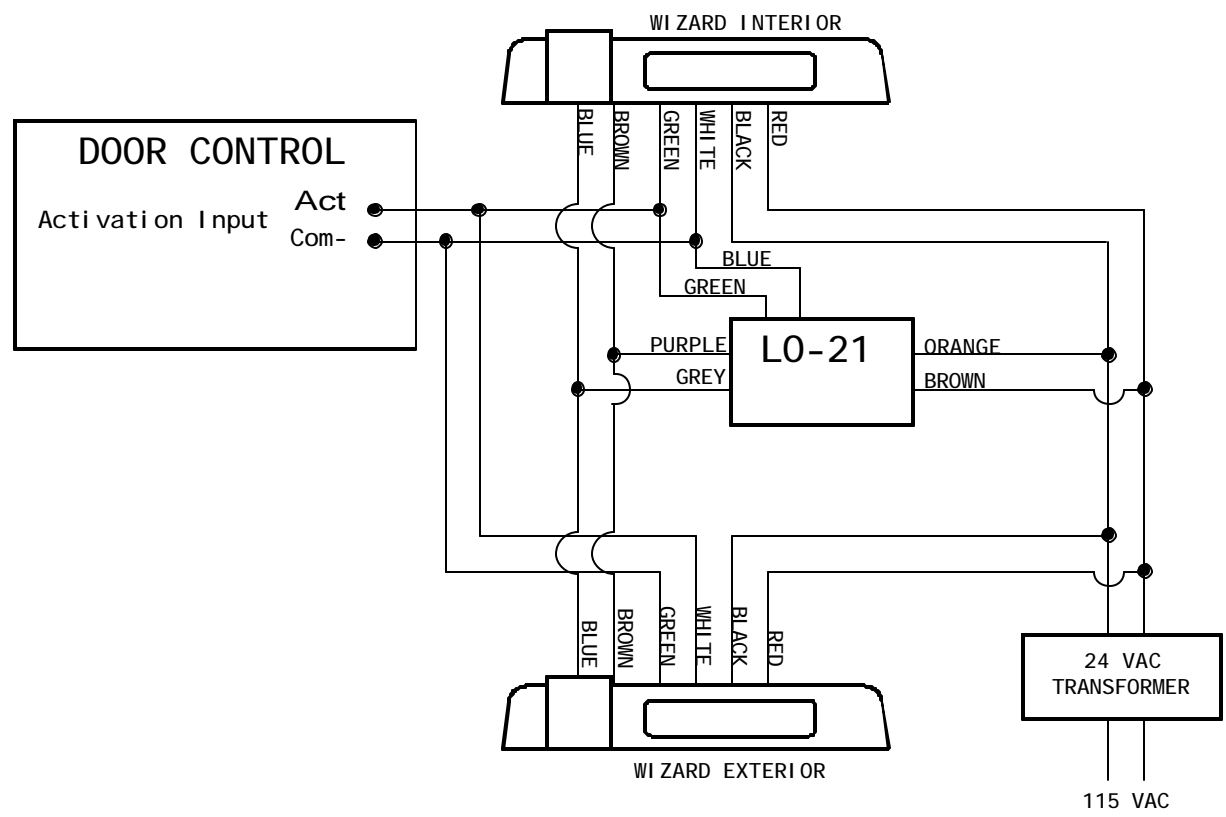


100 ENTERPRISE DRIVE
 PITTSBURGH, PA 15275
 PHONE: (412) 249-4100
 FAX: (412) 249-4101
 EMAIL: www.beasensors.com

**TITLE: WIZARD SYSTEM WITH
 MOTION & PRESENCE
 SEPARATED**

SIZE: A	DRAWN BY: KJG	REV BY: JEG	PART NO: 80.0003.02
	SCALE: NONE	DATE: 17 APR 2005	SHEET 1 OF 1

MOTION AND PRESENCE PARALLELED

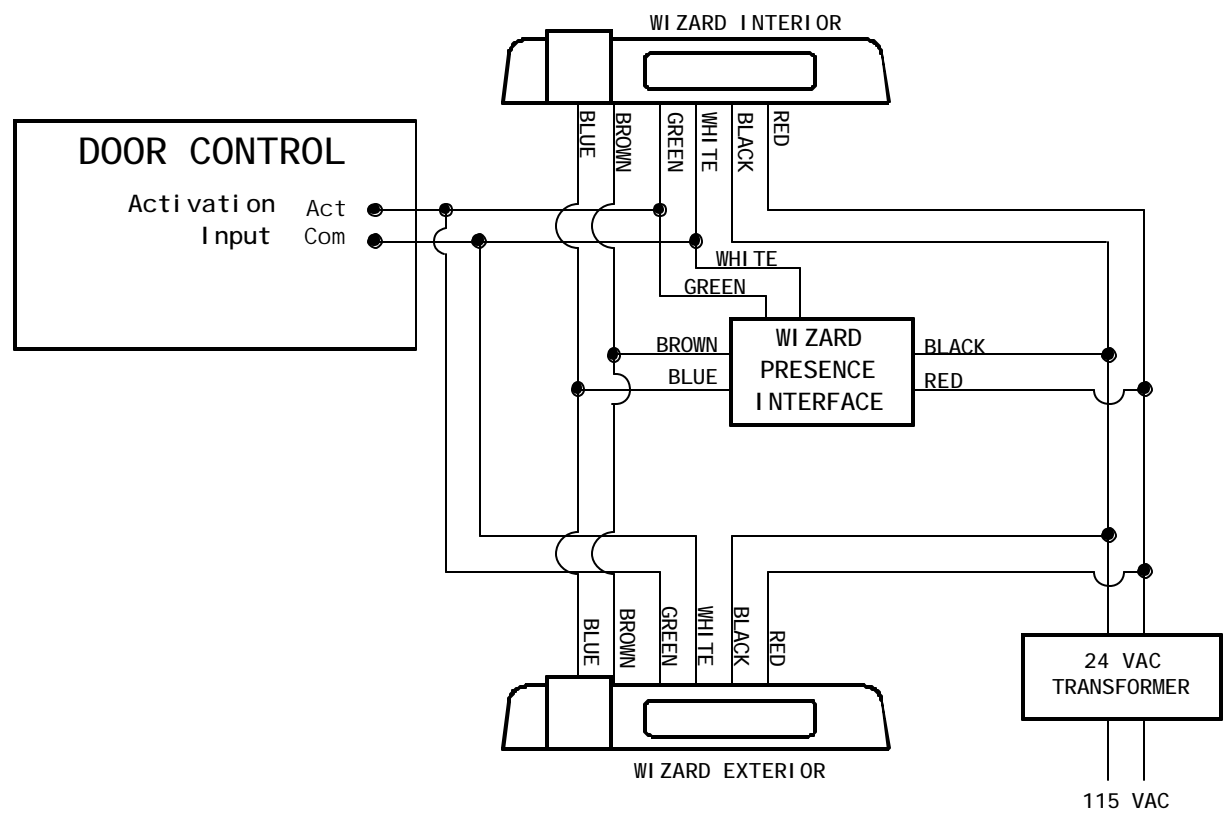




B.E.A., Inc.
 100 Enterprise Drive, Pittsburgh, PA 15275
 PH: (412) 249-4100 FAX: (412) 249-4101

**TITLE: WIZARD SYSTEM WITH OLD
 STYLE ANALOG CONTROL BOXES
 HORTON 2160/ GYRO-TECH/ KM SYSTEMS**

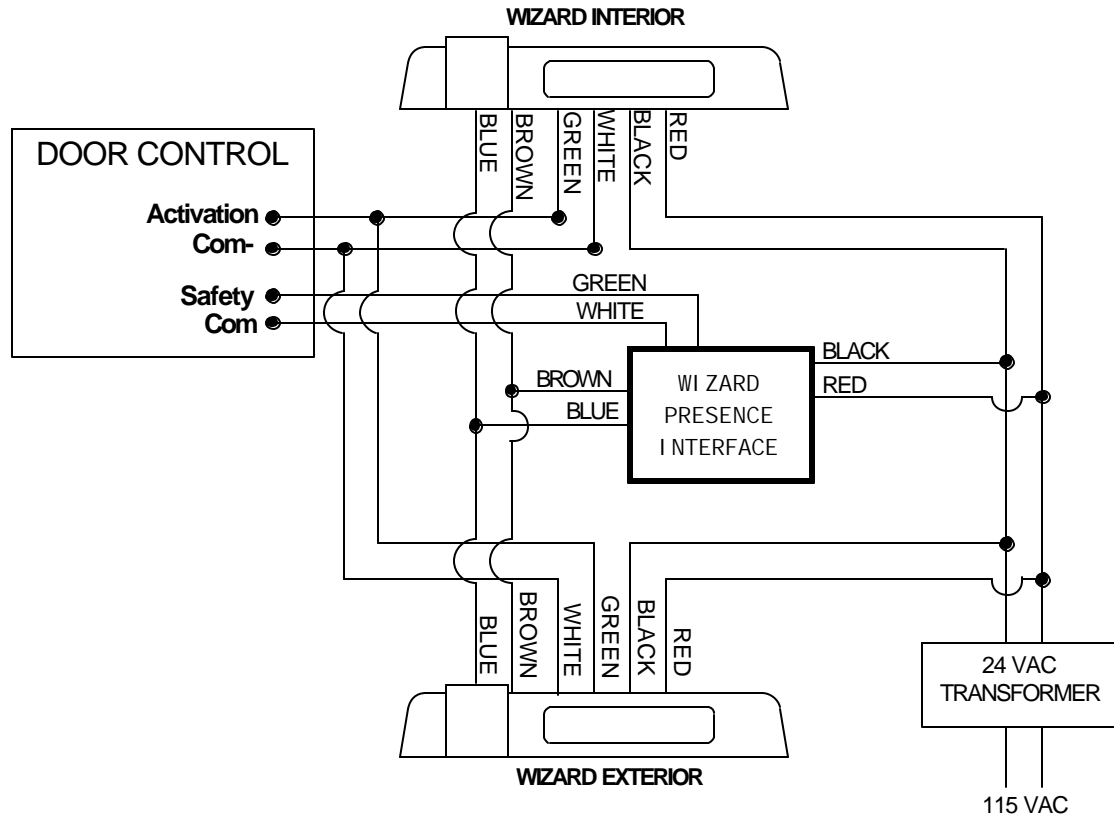
SIZE	CAGE CODE	DMGNO	FILE OF:	DRAWN BY:	REV
A		80.0004	ENG'G	JED	01
SCALE	DATE		SHEET		
NONE	02 JAN 04		1 OF 1		

MOTION AND PRESENCE PARALLELED



		B.E.A., Inc. 100 Enterprise Drive, Pittsburgh, PA 15275 PH: (412) 249-4100 FAX: (412) 249-4101			
TITLE: RETROFIT WZARD SYSTEM W/INTERFACE FOR ANALOG DOOR CONTROLS					
SIZE	CAGE CODE	DMGNO	FILE OF:	DRAWN BY:	REV
A		80.0005	ENG'G	JED	01
SCALE	DATE:		SHEET:		
NONE	02 JAN 04		1 OF 1		

MOTION AND PRESENCE SEPARATED



B.E.A., Inc.

100 Enterprise Drive, Pittsburgh, PA 15275

PH: (412) 249-4100 FAX: (412) 249-4101

TITLE: WIZARD SYSTEM WITH
INTERFACE FOR ANALOG DOOR CONTROLS
MOTION & PRESENCE SEPERATED

SIZE	CAGE CODE	DWGNO	FILE OF:	DRAWN BY:	REV
A		80.0006	ENG'G	JED	01
SCALE	DATE:		SHEET		
NONE	02 JAN 04		1 OF 1		

Free Manuals Download Website

<http://myh66.com>

<http://usermanuals.us>

<http://www.somanuals.com>

<http://www.4manuals.cc>

<http://www.manual-lib.com>

<http://www.404manual.com>

<http://www.luxmanual.com>

<http://aubethermostatmanual.com>

Golf course search by state

<http://golfingnear.com>

Email search by domain

<http://emailbydomain.com>

Auto manuals search

<http://auto.somanuals.com>

TV manuals search

<http://tv.somanuals.com>