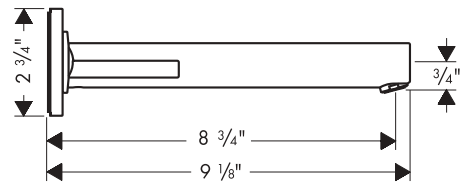
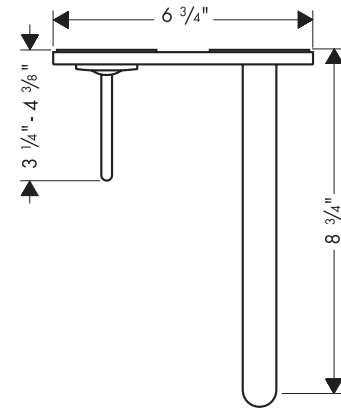
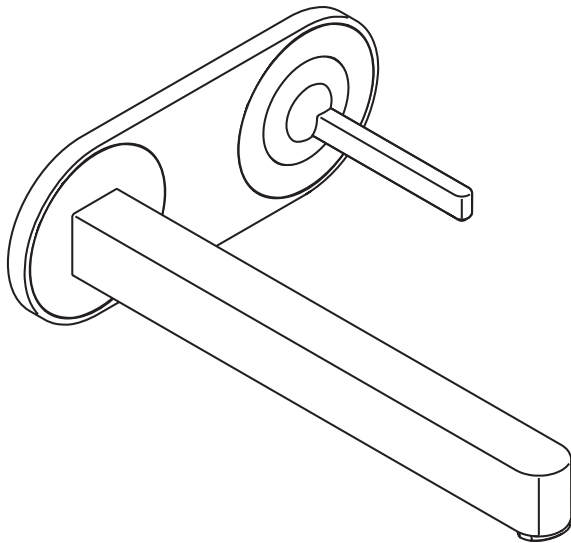


# Axor Steel Wall Mount Single-Control Lavatory Faucet 35115801

Available in Steel



## Product Specification

Stainless steel  
Includes plate  
M3 ceramic cartridge

Requires rough-in 38111181  
Drain not included

|  |               |
|--|---------------|
| Recommended incoming water pressure        | 22 - 72 PSI   |
| Recommended incoming hot water temperature | 120° - 140°F* |
| Maximum mounting surface thickness         | 1 1/2"        |
| Flow rate                                  | 2.2 gpm max.  |

\*some municipalities have codes limiting the maximum temperature of the water heater to 120°F or less. Please know and follow all applicable local codes when setting the temperature on the water heater.

# AXOR®

## Free Manuals Download Website

<http://myh66.com>

<http://usermanuals.us>

<http://www.somanuals.com>

<http://www.4manuals.cc>

<http://www.manual-lib.com>

<http://www.404manual.com>

<http://www.luxmanual.com>

<http://aubethermostatmanual.com>

Golf course search by state

<http://golfingnear.com>

Email search by domain

<http://emailbydomain.com>

Auto manuals search

<http://auto.somanuals.com>

TV manuals search

<http://tv.somanuals.com>