

# SonoFlat Systems™

## SFS-184

## Installation Guidelines

Congratulations on purchasing a SonoFlat™ SFS-184™ System from Auralex® Acoustics. You're now on your way to creating a world class listening environment.

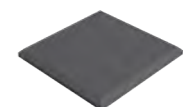
SonoFlat Systems offer a sophisticated look by utilizing a specialized flat-faced cut of Auralex's industry-leading Studiofoam®. The SFS-184 system contains SonoFlat Panels, SonoColumns and Q'Fusors, which when used together, provide incredibly effective broadband absorption and diffusion in any room. Use the SFS-184 alone for treatment of small to medium-sized rooms or in combination with other Auralex products for full control of larger spaces.

Thank you for Purchasing Auralex® Total Sound Control® Products!

### SonoFlat SFS-184 System Components



32



SonoFlat Panels™

8



SonoCollars™

8



SonoColumns™

6



Q'Fusors™

12



Tubetak Pro™



# SonoFlat SFS-184 General Information

## Recommended Additional Installation Materials

- Caulk-gun (for Tubetak Pro)
- Carpenters Level
- Tape measure
- Small ladder (depending on ceiling height)

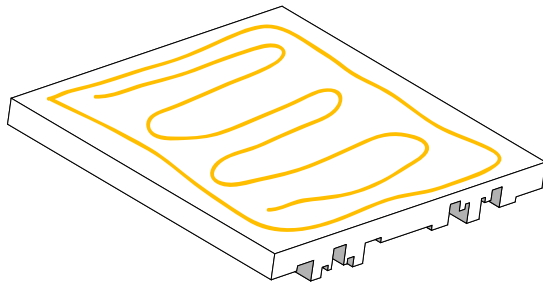
## Optional Additional Installation Materials

- Foamtak Spray Adhesive\*
- T-Pins 

\* This system includes **Tubetak Pro Adhesive**, which is safe to use on all included products. You may wish to use Auralex's **Foamtak Spray Adhesive** for quicker drying times. **Foamtak** is available through all Auralex authorized dealers. **Do NOT use Foamtak to install Q'Fusors.**

## Q'Fusor Installation Guide

- 1 Apply **Tubetak Pro** to the back of the **Q'Fusor**, as pictured.



- 2 Carefully press **Q'Fusor** into the face of a **SonoFlat Panel** or directly to the surface of a wall or ceiling.



### TIP

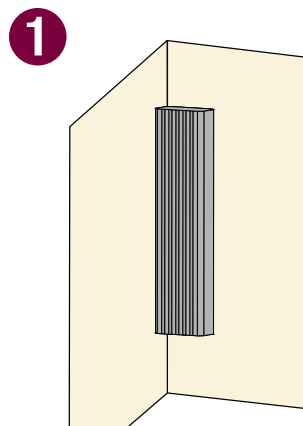
If you plan on painting the Q'Fusor, make sure to do so before applying it to the wall or ceiling.



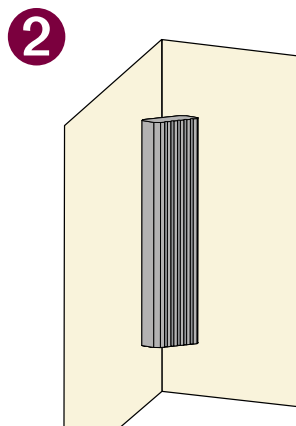
### CAUTION

Use only water-based paints on the Q'Fusor. Oil-based paints will cause severe deterioration of the product.

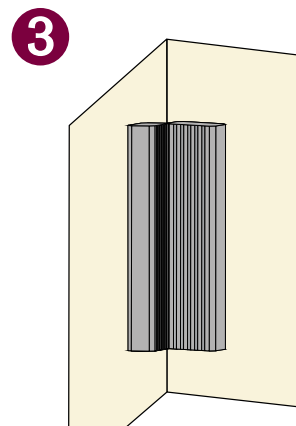
## SonoColumn Placement Options



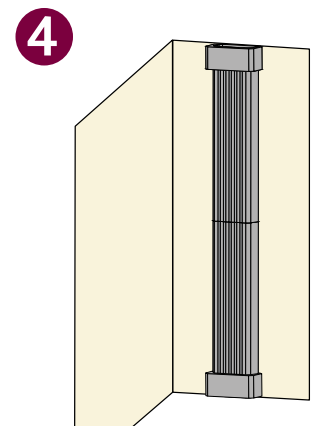
Flush in corner



At 45° to corner



Side-by-side in corner

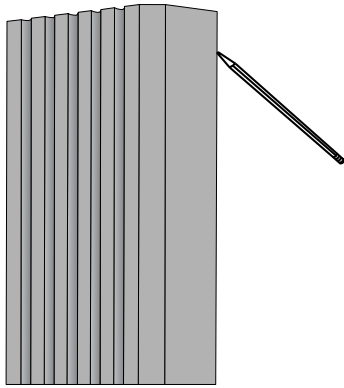


On wall w/ Collars



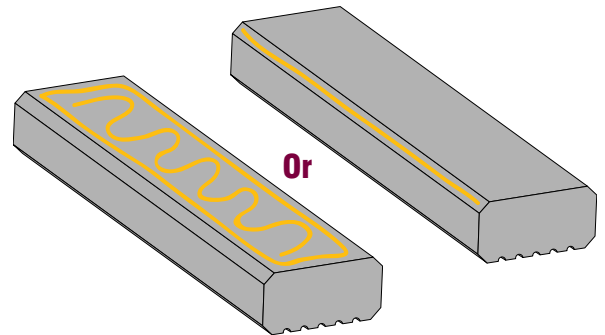
# SonoColumn Installation Guide

- 1** Mark intended location of each **SonoColumn**.

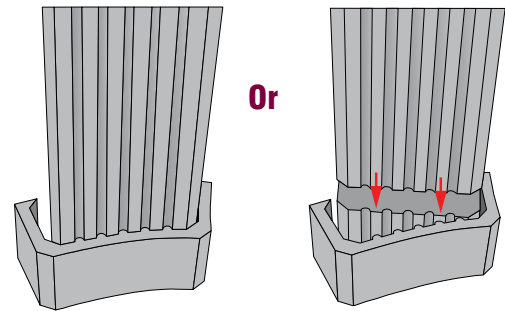


- 3** Carefully press **SonoColumn** to the marked location of the wall or ceiling. Maintain continuous pressure. Depending on environmental and surface conditions, it will take anywhere from 2-4 minutes to hold.

- 2** Apply **Tubetak Pro** to either the back or the beveled edge of the **SonoColumn**, depending on chosen placement.



- 4** Place **SonoCollar** around **SonoColumn**, if desired. The inside section of each **SonoCollar** can also be used to increase the height of the **SonoColumn** by 6".

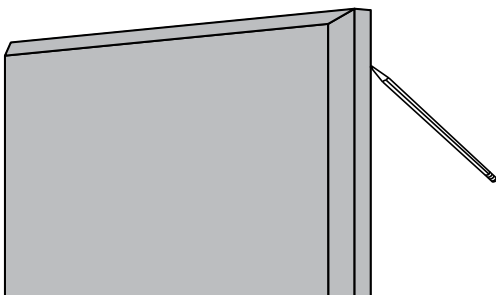


### TIP

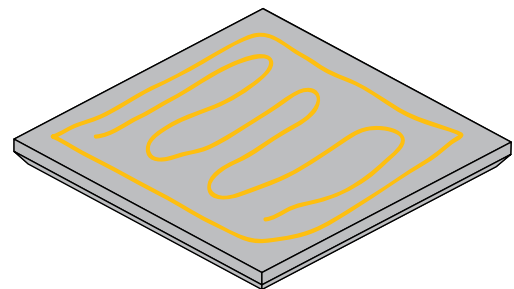
For a stronger hold, with the adhesive applied, press **SonoColumn** firmly into place, immediately remove panel and press it firmly again into the same spot.

# SonoFlat Panel Installation Guide

- 1** Mark intended location of each **SonoFlat Panel** on the wall or ceiling.



- 2** Apply **Tubetak Pro** to the back of the **SonoFlat Panel**, as pictured.



- 3** Carefully press **SonoFlat Panel** to the marked location. Maintain continuous pressure. Depending on environmental and surface conditions, it will take anywhere from 2-4 minutes to hold.



### TIP

You can use T-Pins to temporarily hold the panel in place while the adhesive sets.



# SonoFlat System Installations



See the **Auralex® Acoustics** website, [www.auralex.com](http://www.auralex.com), for more information about these and other **Total Sound Control®** products.

These are general recommendations. Should you have any additional questions about the installation of your **SonoFlat™ System**, feel free to contact an **Auralex® Application Specialist** via email at [appsupport@auralex.com](mailto:appsupport@auralex.com) or call 1-800-95-WEDGE.



## Free Manuals Download Website

<http://myh66.com>

<http://usermanuals.us>

<http://www.somanuals.com>

<http://www.4manuals.cc>

<http://www.manual-lib.com>

<http://www.404manual.com>

<http://www.luxmanual.com>

<http://aubethermostatmanual.com>

Golf course search by state

<http://golfingnear.com>

Email search by domain

<http://emailbydomain.com>

Auto manuals search

<http://auto.somanuals.com>

TV manuals search

<http://tv.somanuals.com>