

Model 975A AM/FM Distribution Amplifier Installation Instructions

The Model 975 is a 12-volt powered AM/FM antenna amplifier designed to drive car radio antenna distribution systems. It also accepts the RF output of one or more CD changers. Your Car RF system can be expanded to serve up to 32 radios using Audio Authority® KIT17s. Each KIT17 contains a 4-way tap and Motorola cables for 4 radios. If you need to distribute RF to more than 32 radios, call Audio Authority at 800-322-8346 or 859-233-4599.

Installation

Mount the Model 975A close to the radios and switching system and connect as shown in Figure 1. Place each 4-way tap within 2 to 3 feet of the radios it serves. Connect the distribution system as shown in Figure 2, tightening all F-connectors securely. Be sure to add the termination plug to the last tap in the system as shown. **Caution:** Prevent unused Motorola cables from contacting live conductors inside the display.

In Access™ switching systems, power the Model 975A from the Access™ System Bus like any other Access EZ™ module.

In non-Access™ System applications, plug a length of Access™ System Bus cable into the System Bus port. Connect the red wire to a source of 12V (+) DC and cut off the other three wires (ground is supplied through radios).

An indoor antenna will suffice for input to the Model 975A in most cases. Use either the included wire antenna or a car antenna. Plug the antenna directly into the antenna jack of the Model 975A as shown in Figure 1. If an indoor antenna produces too little FM signal or too much multipath distortion, an outdoor antenna may be desired. Use an omnidirectional FM antenna if the only problem is a weak FM signal, or use a directional FM or VHF TV antenna to improve multipath problems. Bring the 75-ohm downlead from the outdoor antenna into the building via a well-grounded lightning arrestor as shown in Figure 2. Install a Motorola plug on the cable going to the Model 975A's antenna jack or use an F-to-Motorola adapter.

NOTE: Outdoor antennas will reduce AM performance.

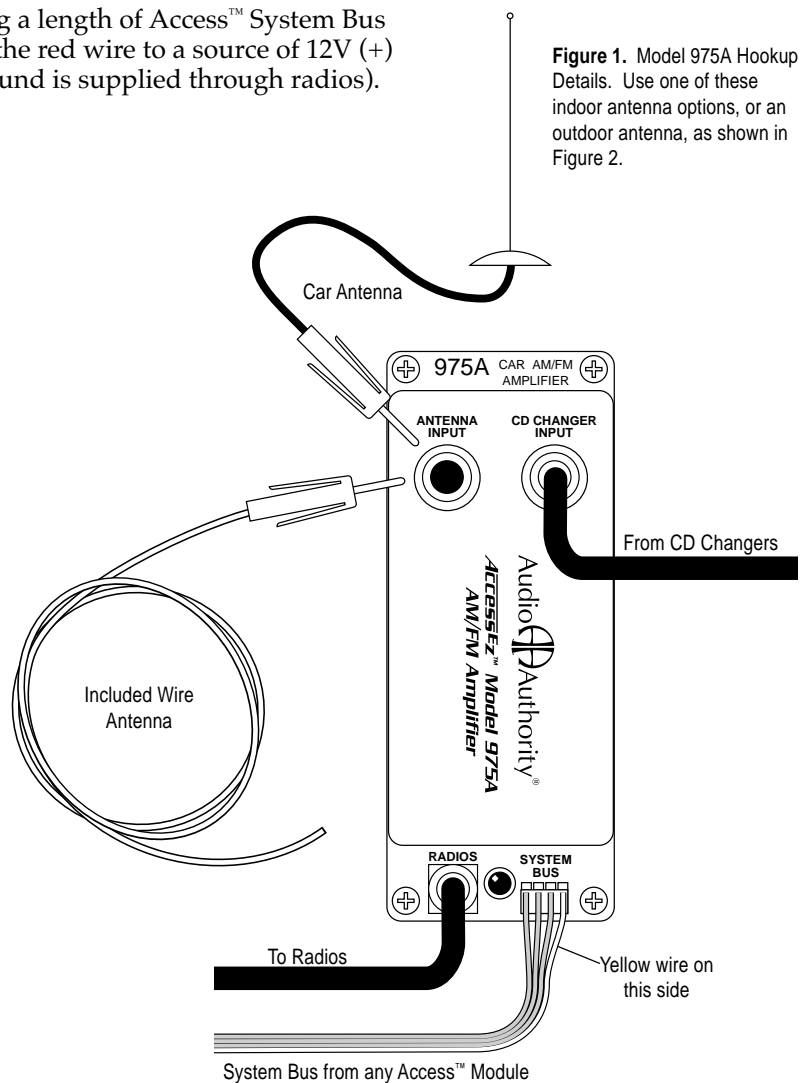


Figure 1. Model 975A Hookup Details. Use one of these indoor antenna options, or an outdoor antenna, as shown in Figure 2.

Daisy-chain all the RF-output CD changers in your display and plug the last changer of the string into the CD changer jack of the Model 975A. Radios can receive both radio stations and signal from CD changers at the same time.

If you encounter any problems with this product or its installation, contact Audio Authority Technical Service at 800-322-8346.

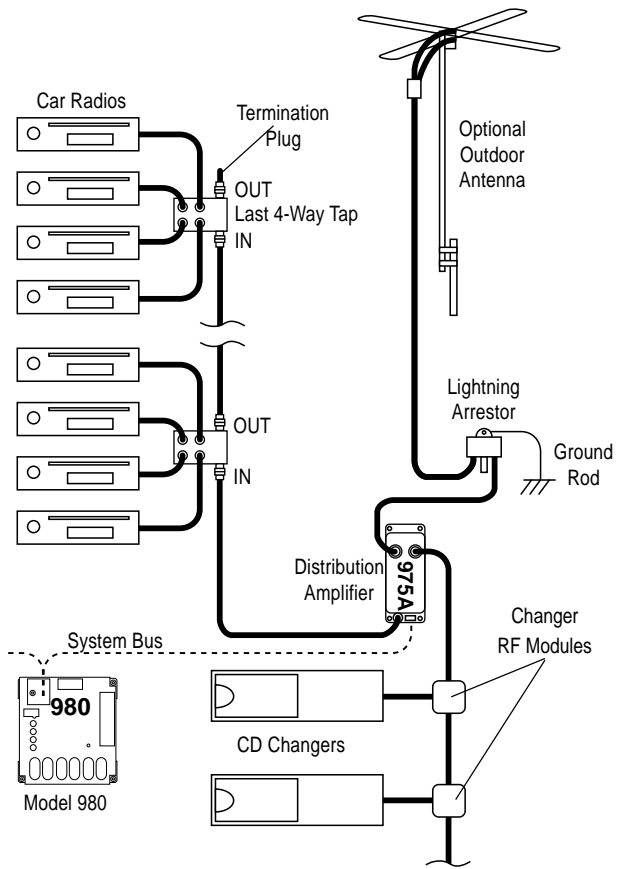


Figure 2. A complete FM Distribution System.



2048 Mercer Road, Lexington, Kentucky 40511-1071
 Phone: 859-233-4599 • Fax: 859-233-4510
 Customer Toll-Free USA & Canada: 800-322-8346
 Website: <http://www.audioauthority.com>

752-255
 11/00

Free Manuals Download Website

<http://myh66.com>

<http://usermanuals.us>

<http://www.somanuals.com>

<http://www.4manuals.cc>

<http://www.manual-lib.com>

<http://www.404manual.com>

<http://www.luxmanual.com>

<http://aubethermostatmanual.com>

Golf course search by state

<http://golfingnear.com>

Email search by domain

<http://emailbydomain.com>

Auto manuals search

<http://auto.somanuals.com>

TV manuals search

<http://tv.somanuals.com>