



ATTO Technology, Inc.

---

# **ATTO Celerity Fibre Channel Host Adapters Installation and Operation Manual**

## **Celerity FC-84EN**

8Gb FC quad channel PCIe 2.0 host adapter

## **Celerity FC-82EN**

8Gb FC dual channel PCIe 2.0 host adapter

## **Celerity FC-81EN**

8Gb FC single channel PCIe 2.0 host adapter

## **Celerity FC-44ES**

4Gb FC quad channel PCIe host adapter

## **Celerity FC-42ES**

4Gb FC dual channel PCIe host adapter

## **Celerity FC-41ES**

4Gb FC single channel PCIe host adapter

## **Celerity FC-42XS**

4Gb FC dual channel PCI-X host adapter

## **Celerity FC-41XS**

4Gb FC single channel PCI-X host adapter

## **ATTO Technology, Inc.**

155 CrossPoint Parkway  
Amherst, New York 14068 USA  
[www.attotech.com](http://www.attotech.com)

Tel (716) 691-1999  
Fax (716) 691-9353

Sales support: [sls@attotech.com](mailto:sls@attotech.com)  
Technical support: Monday -- Friday, 8am-6pm EST  
[techsupp@attotech.com](mailto:techsupp@attotech.com)  
(716) 691-1999 ext. 242

© 2010 ATTO Technology, Inc. All rights reserved. All brand or product names are trademarks of their respective holders. No part of this manual may be reproduced in any form or by any means without the express written permission of ATTO Technology, Inc.

12/10

PRMA-0344-000

# Contents

---

<b>1 ATTO Celerity HBA Features &amp; Overview .....</b>	<b>1</b>
Getting started	
Celerity FC-84EN Adapter	
Celerity FC-82EN Adapter	
Celerity FC-81EN Adapter	
Celerity FC-44ES Adapter	
Celerity FC-42ES Adapter	
Celerity FC-41ES Adapter	
Celerity FC-42XS Adapter	
Celerity FC-41XS Adapter	
<b>2 Install Drivers .....</b>	<b>12</b>
Windows	
OS X	
Linux	
VMwareESX 4	
VMware ESX 3.5	
Specialized configurations	
<b>3 Hardware Installation .....</b>	<b>18</b>
Bracket details	
Adapter board details	
<b>4 Updating Hardware Flash, Drivers .....</b>	<b>25</b>
<b>5 Troubleshooting .....</b>	<b>27</b>
General suggestions	
Mac OS X	
Windows Server 7, 2008, 2003, 2000; Vista, XP	
Linux	
VMware	
<b>Appendix A Glossary .....</b>	<b>i</b>
<b>Appendix B Accessories .....</b>	<b>iii</b>
<b>Appendix C ATTO Adapter Selection Guides .....</b>	<b>iv</b>
<b>Appendix D Standards, Compliances: 8Gb adapters .....</b>	<b>vii</b>
FCC standards: radio and television interference	
Canadian standards	
European standards	

**Appendix E Standards, Compliances: 4Gb adapters .....viii**  
FCC standards: radio and television interference  
Canadian standards  
European standards

**Appendix F Safety, Warranty .....ix**  
Safety  
ATTO Technology, Inc. limited warranty

# 1 ATTO Celerity HBA Features & Overview

*The ATTO Celerity Fibre Channel family of storage products provides connectivity, intelligence and scalability.*

Celerity FC host adapters simplify advanced storage networking needs such as switching, backup and data management. Specifically designed to enhance the functionality of third party fabric hardware and software, Celerity FC products are the industry-leading platform for storage connectivity.

Fibre Channel is a serial communications technology designed to transfer large amounts of data among a variety of hardware systems over long distances. It is a key technology for applications that require shared, high bandwidth access to storage.

Fibre Channel provides a logical, point-to-point, serial channel for the transfer of data between a buffer at a source device and a buffer at a destination device. It moves buffer contents from one port to another, without regard to the format or meaning of the data so different upper level protocols are able to run over Fibre Channel hardware.

The Fibre Channel architecture is structured as a hierarchical set of protocol layers. Defined within these layers are rules for signal interfaces, serial encoding and decoding, error control, frame format and communications protocols.

## Getting started

In general, to install the ATTO Celerity FC host adapter, you must:

- 1 Ensure you have the equipment and software you need for the installation:
  - Celerity FC adapter
  - ATTO Celerity CD including drivers, user manuals and utilities (Installation CD)
  - A computer with an available expansion slot
  - Storage, cables and connectors
- 2 Install drivers from the Installation CD for your operating system. Refer to [Install Drivers](#) on page 12.

- 3 Install the configuration software, the ATTO Configuration Tool, found on the Installation CD.
- 4 Install the Celerity adapter. Refer to [Hardware Installation](#) on page 18.
- 5 Attach storage.
- 6 If required, configure your Celerity adapter using the ATTO Configuration Tool.



### Note

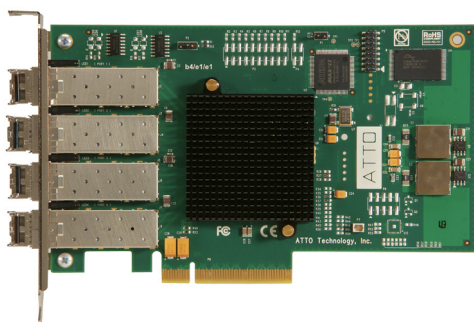
*Default settings are appropriate for most systems but you may change settings using the ATTO Configuration Tool.*

# Celerity FC-84EN Adapter

The ATTO Celerity FC-84EN leverages two next-generation storage technologies: PCIe 2.0 interconnect and 8-Gigabit Fibre Channel.

With 8-Gb FC speeds of up to 1600 MB/sec. per channel, the Celerity FC-84EN supports the most demanding application requirements, including high-definition video, rich content databases and other high-bandwidth environments.

ATTO Celerity host adapters are an integrated family of advanced storage connectivity solutions that are designed to provide reliable connectivity, intelligence and scalability.



## Technical specifications

- 4 independent Fibre Channel ports
- 8-Gigabit data transfer rates
- 1600 MB/sec. maximum full-duplex throughput per channel
- Supports all FC topologies: fabric, arbitrated loop and point-to-point
- ANSI Fibre Channel: FC-FS, FC-AL, FCP, FC-AL2, FC-PLDA, FC-FLA
- Flash ROM for easy field upgrades
- FC Class 3 support
- Local management and diagnostics
- Buffer credits: 41
- ATTO Advanced Data Streaming (ADS™) Technology

## Advanced FC capabilities

- Supports SNIA HBA API

- Backward compatible with 4-Gb and 2-Gb Fibre Channel
- Supports target and initiator modes
- Supports Windows® FDMI and WMI

## Host bus specifications

- x8 mechanical and x8 electrical PCI Express interconnect
- Conforms to PCI Express Base Spec 2.0
- Conforms to PCI Express CEM Spec 2.0
- PCI Hot Plug spec 1.0

## Environmental & physical specifications

- Length: 6.6 inches
- Height: 3.987 inches
- Operating temperature: 0-40 °C (32-113 °F)
- Storage temperature: -40 to 70 °C (-40 to 158 °F)
- Relative humidity: 10 to 90% non-condensing
- 7.8 W (typical)
- 100 lf/m (minimum) airflow recommended
- RoHS compliant

## External connectivity

- Easy to install full height connection bracket
- External LEDs for on-line and speed status for each channel
- Four pluggable 8-Gb optical LC SFP+ modules included

## Software specifications

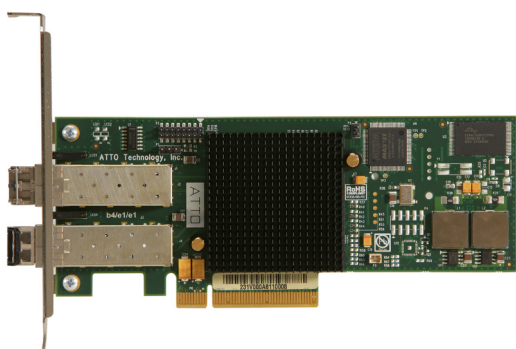
- Windows 7®, XP®, Vista®
- Windows Server® 2003, 2008
- Mac® OS X 10.4.x and up
- RedHat Enterprise Linux® 4.x (2.6.x kernels)
- RedHat Enterprise Linux® 5.x (2.6.x kernels)
- RedHat Enterprise Linux® 6.x (2.6.x kernels)
- SUSE Linux Enterprise® 9.x (2.6.x kernels)
- SUSE Linux Enterprise® 10.x (2.6.x kernels)
- Fedora Core Linux® 7.x (2.6.x kernels)
- Fedora Core Linux® 8.x (2.6.x kernels)
- VMware ESX Server® 3.5 - 4.1

# Celerity FC-82EN Adapter

The ATTO Celerity FC-82EN leverages two next-generation storage technologies: PCIe 2.0 interconnect and 8-Gigabit Fibre Channel.

With 8-Gb FC speeds of up to 1600 MB/sec. per channel, the Celerity FC-82EN supports the most demanding application requirements, including high-definition video, rich content databases and other high-bandwidth environments.

ATTO Celerity host adapters are an integrated family of advanced storage connectivity solutions that are designed to provide reliable connectivity, intelligence and scalability.



## Technical specifications

- Two independent Fibre Channel ports
- 1600 MB/sec. maximum throughput per channel in full-duplex mode
- 8-Gigabit data transfer rates
- Conforms to PCI Express Low Profile form-factor specifications
- Supports all FC topologies: fabric, arbitrated loop and point-to-point
- ANSI Fibre Channel: FC-FS, FC-AL, FCP, FC-AL2, FC-PLDA, FC-FLA
- Flash ROM for easy field upgrades
- FC Class 3 support
- Local management and diagnostics
- Buffer credits: 41
- ATTO Advanced Data Streaming (ADS™) Technology

## Advanced FC capabilities

- Supports SNIA HBA API

- Backward compatible with 4-Gb and 2-Gb Fibre Channel
- Supports target and initiator modes
- Supports Windows® FDMI and WMI

## Host bus specifications

- x8 mechanical and x8 electrical PCI Express interconnect
- Conforms to PCI Express Base Spec 2.0
- Conforms to PCI Express CEM Spec 2.0
- PCI Hot Plug spec 1.0

## Environmental & physical specifications

- Length: 6.6 inches
- Height: 2.731 inches
- Operating temperature: 0-40 °C (32-113 °F)
- Storage temperature: -40 to 70 °C (-40 to 158 °F)
- Relative humidity: 10 to 90% non-condensing
- 5.9W (typical)
- 100 lf/m (minimum) airflow recommended
- RoHS compliant

## External connectivity

- Easy to install full height connection bracket; low-profile bracket included in finished goods packaging
- External LEDs for on-line and speed status for each channel
- Two pluggable 8-Gb optical LC SFP+ modules included

## Software specifications

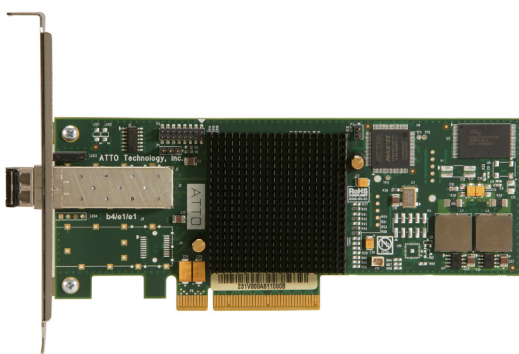
- Windows 7®, XP®, Vista®
- Windows Server® 2003, 2008
- Mac® OS X 10.4.x and up
- RedHat Enterprise Linux® 4.x (2.6.x kernels)
- RedHat Enterprise Linux® 5.x (2.6.x kernels)
- RedHat Enterprise Linux® 6.x (2.6.x kernels)
- SUSE Linux Enterprise® 9.x (2.6.x kernels)
- SUSE Linux Enterprise® 10.x (2.6.x kernels)
- Fedora Core Linux® 7.x (2.6.x kernels)
- Fedora Core Linux® 8.x (2.6.x kernels)
- VMware ESX Server® 3.5 - 4.1

# Celerity FC-81EN Adapter

The ATTO Celerity FC-81EN leverages two next-generation storage technologies: PCIe 2.0 interconnect and 8-Gigabit Fibre Channel.

With 8-Gb FC speeds of up to 1600 MB/sec. per channel, the Celerity FC-81EN supports the most demanding application requirements, including high-definition video, rich content databases and other high-bandwidth environments.

ATTO Celerity host adapters are an integrated family of advanced storage connectivity solutions that are designed to provide reliable connectivity, intelligence and scalability.



## Technical specifications

- One independent Fibre Channel port
- 8-Gigabit FC data transfer rates
- 1600 MB/sec. throughput in full-duplex mode
- Supports all FC topologies: fabric, arbitrated loop and point-to-point
- ANSI Fibre Channel: FC-FS, FC-AL, FCP, FC-AL2, FC-PLDA, FC-FLA
- Flash ROM for easy field upgrades
- FC Class 3 support
- Local management and diagnostics
- Buffer credits: 41
- ATTO Advanced Data Streaming (ADS™) Technology

## Advanced FC capabilities

- Supports SNIA HBA API
- Backward compatible with 4-Gb and 2-Gb Fibre Channel

- Supports target and initiator modes
- Supports Windows FDMI and WMI

## Host bus specifications

- x8 mechanical and x8 electrical PCI Express interconnect
- Conforms to PCI Express Base Spec 2.0
- Conforms to PCI Express CEM Spec 2.0
- PCI Hot Plug spec 1.0

## Environmental & physical specifications

- Length: 6.6 inches
- Height: 2.731 inches
- Operating temperature: 0-45°C (32-113°F)
- Storage temperature: -40 to 70°C (-40 to 158°F)
- Relative humidity: 10 to 90% non-condensing
- 5.3 W (typical)
- 100 lf/m (minimum) airflow recommended
- RoHS compliant

## External connectivity

- Easy to install full height connection bracket; low-profile bracket included in finished goods packaging
- External LEDs for on-line and speed status for each channel
- One pluggable 8-Gb optical LC SFP+ module included

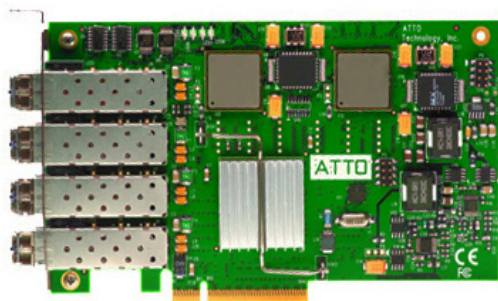
## Software specifications

- Windows 7®, XP®, Vista®
- Windows Server® 2003, 2008
- Mac® OS X 10.4.x and up
- RedHat Enterprise Linux® 4.x (2.6.x kernels)
- RedHat Enterprise Linux® 5.x (2.6.x kernels)
- RedHat Enterprise Linux® 6.x (2.6.x kernels)
- SUSE Linux Enterprise® 9.x (2.6.x kernels)
- SUSE Linux Enterprise® 10.x (2.6.x kernels)
- Fedora Core® Linux 7.x (2.6.x kernels)
- Fedora Core® Linux 8.x (2.6.x kernels)
- VMware ESX Server® 3.5 - 4.1



# Celerity FC-44ES Adapter

The Celerity FC-44ES uses PCI Express Interconnect and 4-Gigabit Fibre Channel to provide 4-Gb FC speeds of up to 800 MB/sec. per channel. The FC-44ES supports high-definition video, rich content databases and other high bandwidth environments. The FC-44ES uses PCI Express, a serial, high-speed connection that supports aggregate throughput up to 4 GB/sec. (x8 PCIe) full-duplex. Software compatible with existing PCI and PCI-X products, the FC-44ES uses the same device drivers as other Celerity FC family products, simplifying installation and support.



## Technical specifications

- 4 independent Fibre Channel ports
- 4-Gigabit data transfer rates per channel
- 800 MB/sec. maximum full-duplex throughput per channel
- Supports all FC topologies: fabric, arbitrated loop and point-to-point
- ANSI Fibre Channel: FC-FS, FC-AL, FCP, FC-AL2, FC-PLDA, FC-FLA
- Flash ROM for easy field upgrades
- FC Class 3 support
- Local management and diagnostics
- Buffer credits: 8 @ 512 Bytes; 8 @ 2 Kilobytes
- ATTO Advanced Data Streaming (ADS™) Technology

## Advanced FC Capabilities

- Supports SNIA HBA API
- On-demand automatic negotiation among 4-Gb, 2-Gb and 1-Gb Fibre Channel
- Supports target and initiator modes
- Supports Windows FDMI and WMI

## Host bus specifications

- x8 mechanical and x8 electrical PCI Express Interconnect
- Conforms to PCI Express Base Spec 1.0a
- Conforms to PCI Express CEM Spec 1.0a
- PCI Express to PCI/PCI-X Bridge spec 1.0

## Environmental & physical specifications

- Conforms to PCI standard height, half length form-factor specifications
- Length: 6.525 inches
- Height: 3.81 inches
- Operating temperature: 0-45°C (32-113°F)
- Storage temperature: -40 to 70°C (-40 to 158°F)
- Relative humidity: 10 to 90% non-condensing
- 12V@ 2.1A (max.)
- 3.3V @ 3.0A (max.)
- 100 lf/m (minimum) airflow recommended
- RoHS compliant

## External connectivity

- Easy-to-install full height connection plate
- External LEDs for on-line and speed status for each channel
- 4 pluggable optical LC SFP transceivers included

## Software specifications

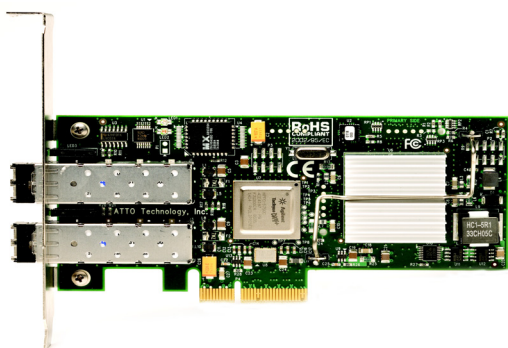
- Windows 7®, XP®, Vista®
- Windows Server® 2003, 2008
- Mac® OS X 10.4.x and up
- RedHat Enterprise Linux® 2.x (2.4.x kernels)
- RedHat Enterprise Linux® 3.x (2.4.x kernels)
- RedHat Enterprise Linux® 4.x (2.6.x kernels)
- RedHat Enterprise Linux® 5.x (2.6.x kernels)
- RedHat Enterprise Linux® 6.x (2.6.x kernels)
- SUSE Linux Enterprise® 8.x (2.4.x kernels)
- SUSE Linux Enterprise® 9.x (2.6.x kernels)
- SUSE Linux Enterprise® 10.x (2.6.x kernels)
- Fedora Core Linux® 7.x (2.6.x kernels)
- Fedora Core Linux® 8.x (2.6.x kernels)
- Fedora Linux® 9.x (2.6.x kernels)
- Solaris® 9.x x86
- Solaris® 10.x x86
- VMware ESX Server® 3.5

# Celerity FC-42ES Adapter

The Celerity FC-42ES is a dual-channel host adapter providing port density for Enterprise server and workstation applications. With 4-Gb FC speeds of up to 800 MB/sec. per channel, the FC-42ES supports the most demanding application requirements.

Additionally the FC-42ES uses the latest in host interconnect technology, PCI Express, a serial, high-speed connection that supports aggregate throughput up to 4 GB/sec. (x8 PCIe) full-duplex.

The FC-42ES is software compatible with existing PCI and PCI-X products using the same device drivers as other Celerity FC family products, simplifying user installation and support. It is backward compatible with existing 2-Gb and 1-Gb Fibre Channel infrastructure, protecting existing technology.



## Technical specifications

- 2 independent Fibre Channel ports
- 4-Gigabit data transfer rates per channel
- 800 MB/sec. maximum full-duplex throughput per channel
- Supports all FC topologies: direct fabric, arbitrated loop and point-to-point
- ANSI Fibre Channel: FC-FS, FC-AL, FCP, FC-AL2, FC-PLDA, FC-FLA
- Flash ROM for easy field upgrades
- FC Class 3 support
- Local management and diagnostics
- Buffer credits: 8 @ 512 Bytes; 8 @ 2 Kilobytes
- ATTO Advanced Data Streaming (ADS™) Technology

## Advanced FC Capabilities

- Supports SNIA HBA API
- On-demand automatic negotiation among 4-Gb, 2-Gb and 1-Gb Fibre Channel

- Supports target and initiator modes
- Supports Windows FDMI and WMI

## Host bus specifications

- x4 mechanical and x4 electrical PCI Express Interconnect (RoHS compliant)
- Conforms to PCI Express Base Spec 1.0a
- Conforms to PCI Express CEM Spec 1.0a
- PCI Express to PCI/PCI-X Bridge spec 1.0

## Environmental & physical specifications

- Operating temperature: 0-45°C (32-113°F)
- Storage temperature: -40 to 70°C (-40 to 158°F)
- Relative humidity: 10 to 90% non-condensing
- 100 lf/m (minimum) airflow recommended
- Conforms to PCI half height, half length form-factor specifications
- 12V@ 4A (max.); 3.3V @ 1.5A (max.)
- Length: 5.6 inches
- Height: 2.712 inches
- RoHS compliant

## External connectivity

- Easy-to-install full height connection plate
- External LEDs for on-line and speed status for each channel
- 2 pluggable optical LC SFP transceivers included

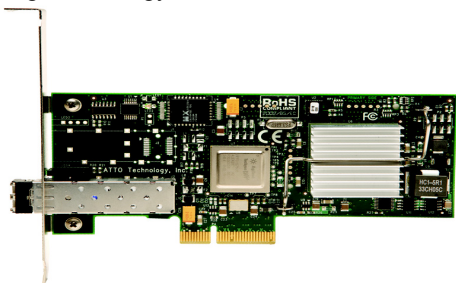
## Software specifications

- Windows 7®, XP®, Vista®
- Windows Server® 2003, 2008
- Mac® OS X 10.4.x and up
- RedHat Enterprise Linux® 2.x (2.4.x kernels)
- RedHat Enterprise Linux® 3.x (2.4.x kernels)
- RedHat Enterprise Linux® 4.x (2.6.x kernels)
- RedHat Enterprise Linux® 5.x (2.6.x kernels)
- RedHat Enterprise Linux® 6.x (2.6.x kernels)
- SUSE Linux Enterprise® 8.x (2.4.x kernels)
- SUSE Linux Enterprise® 9.x (2.6.x kernels)
- SUSE Linux Enterprise® 10.x (2.6.x kernels)
- Fedora Core Linux® 7.x (2.6.x kernels)
- Fedora Core Linux® 8.x (2.6.x kernels)
- Fedora Linux® 9.x (2.6.x kernels)
- Solaris® 9.x x86
- Solaris® 10.x x86
- VMware ESX Server® 3.5

# Celerity FC-41ES Adapter

The Celerity FC-41ES is a single-channel host adapter providing support for the most demanding application requirements. With 4-Gb FC speeds of up to 800 MB/sec. per channel, the FC-41ES is a cost effective connectivity solution for environments requiring maximum throughput.

The FC-41ES uses the latest in host interconnect technology: PCI Express, a serial, high-speed connection that supports aggregate throughput up to 2 GB/sec. (x4 PCIe) full-duplex. The FC-41ES is software compatible with existing PCI and PCI-X products using the same device drivers as other Celerity FC products, simplifying user installation and support. It is backward compatible with existing 2-Gb and 1-Gb Fibre Channel infrastructure, protecting existing technology investments.



## Technical specifications

- 1 Fibre Channel port
- 4-Gigabit FC data transfer rates
- 800 MB/sec. maximum full-duplex throughput
- Supports all FC topologies: fabric, arbitrated loop and point-to-point
- ANSI Fibre Channel: FC-FS, FC-AL, FCP, FC-AL2, FC-PLDA, FC-FLA
- Flash ROM for easy field upgrades
- FC Class 3 support
- Local management and diagnostics
- Buffer credits: 8 @ 512 Bytes; 8 @ 2 Kilobytes
- ATTO Advanced Data Streaming (ADS™) Technology

## Advanced FC Capabilities

- Supports SNIA HBA API
- On-demand automatic negotiation among 4-Gb, 2-Gb and 1-Gb Fibre Channel
- Supports target and initiator modes
- Supports Windows FDMI and WMI

## Host bus specifications

- x4 mechanical and x4 electrical PCI Express Interconnect (RoHS compliant)
- Conforms to PCI Express Base Spec 1.0a
- Conforms to PCI Express CEM Spec 1.0a
- PCI Express to PCI/PCI-X Bridge spec 1.0

## Environmental & physical specifications

- Conforms to PCIe low profile form factor specifications
- Length: 5.600 inches
- Height: 2.712 inches
- Operating temperature: 0-45°C (32-113°F)
- Storage temperature: -40 to 70°C (-40 to 158°F)
- Relative humidity: 10 to 90% non-condensing
- 12V@ 0.4A (max.)
- 3.3V @ 1.0A (max.)
- 100 lf/m (minimum) airflow recommended
- RoHS compliant

## External connectivity

- Easy-to-install full height connection plate
- External LEDs for on-line and speed status
- Pluggable optical LC SFP transceivers included

## Software specifications

- Windows 7®, XP®, Vista®
- Windows Server® 2003, 2008
- Mac® OS X 10.4.x and up
- RedHat Enterprise Linux® 2.x (2.4.x kernels)
- RedHat Enterprise Linux® 3.x (2.4.x kernels)
- RedHat Enterprise Linux® 4.x (2.6.x kernels)
- RedHat Enterprise Linux® 5.x (2.6.x kernels)
- RedHat Enterprise Linux® 6.x (2.6.x kernels)
- SUSE Linux Enterprise® 8.x (2.4.x kernels)
- SUSE Linux Enterprise® 9.x (2.6.x kernels)
- SUSE Linux Enterprise® 10.x (2.6.x kernels)
- Fedora Core Linux® 7.x (2.6.x kernels)
- Fedora Core Linux® 8.x (2.6.x kernels)
- Fedora Linux® 9.x (2.6.x kernels)
- Solaris® 9.x x86
- Solaris® 10.x x86
- VMware ESX Server® 3.5

# Celerity FC-42XS Adapter

The dual-channel Celerity FC-42XS host adapter provides the highest available throughput for Fibre Channel applications while protecting technology investments via backward compatibility with existing infrastructure.

With speeds of up to 800 MB/sec. per channel, the FC-42XS is capable of supporting the most intensive data applications.

To ensure a smooth transition path, the FC-42XS leverages the existing Celerity FC software hardware architecture, allowing ATTO to deliver industry-leading quality and stable software architecture.



## Technical specifications

- 2 independent Fibre Channel ports
- 4-Gigabit data transfer rates per channel
- 800 MB/sec. maximum full-duplex throughput per channel
- Supports all FC topologies: direct fabric, arbitrated loop and point-to-point
- ANSI Fibre Channel: FC-FS, FC-AL, FCP, FC-AL2, FC-PLDA, FC-FLA
- Flash ROM for easy field upgrades
- FC Class 3 support
- Local management and diagnostics
- Buffer credits: 8 @ 512 bytes; 8 @ 2 Kilobytes
- ATTO Advanced Data Streaming (ADS™) Technology

## Advanced FC capabilities

- Supports SNIA HBA API
- On-demand automatic negotiation among 4-Gb, 2-Gb and 1-Gb Fibre Channel
- Supports target and initiator modes

- Supports Windows FDMI and WMI

## PCI bus specifications

- 64-bit, 133 MHz PCI-X
- PCI-X 1.0a compliant
- PCI 2.2 compliant
- 3.3V PCI signaling only

## Environmental & physical specifications

- Conforms to PCI low profile form factor standards
- Length: 6.600 inches
- Height: 2.536 inches
- Operating temperature: 0-45°C (32°-113°F)
- Storage temperature: -40° to 70°C (-40° to 158°F)
- Relative humidity: 10 to 90% non-condensing
- 3.3V@ 1.5A (max.)
- 100 lf/m (minimum) airflow recommended
- RoHS compliant

## External connectivity

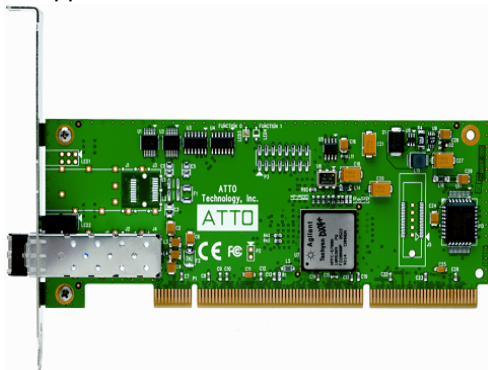
- Easy-to-install full height connection plate
- External LEDs for on-line and speed status for each channel
- 2 optical LC SFP transceivers included

## Software specifications

- Windows 7®, XP®, Vista®
- Windows Server® 2003, 2008
- Mac® OS X 10.4.x - 10.5.x
- RedHat Enterprise Linux® 2.x (2.4.x kernels)
- RedHat Enterprise Linux® 3.x (2.4.x kernels)
- RedHat Enterprise Linux® 4.x (2.6.x kernels)
- RedHat Enterprise Linux® 5.x (2.6.x kernels)
- SUSE Linux Enterprise® 8.x (2.4.x kernels)
- SUSE Linux Enterprise® 9.x (2.6.x kernels)
- SUSE Linux Enterprise® 10.x (2.6.x kernels)
- Fedora Core Linux® 7.x (2.6.x kernels)
- Fedora Core Linux® 8.x (2.6.x kernels)
- Fedora Linux® 9.x (2.6.x kernels)
- Solaris® 9.x x86
- Solaris® 10.x x86

# Celerity FC-41XS Adapter

The single-channel Celerity FC-41XS provides speeds of up to 800 MB/sec. using full 4-Gigabit Fibre Channel performance while being fully backward-compatible with existing 2-Gb and 1-Gb Fibre Channel infrastructure, protecting existing technology investments. It is capable of supporting the most data-intensive applications.



## Technical specifications

- 1 Fibre Channel port
- 4-Gigabit data transfer rates
- 800 MB/sec. maximum full-duplex throughput
- Supports all FC topologies: direct fabric, arbitrated loop and point-to-point
- ANSI Fibre Channel: FC-FS, FC-AL, FCP, FC-AL2, FC-PLDA, FC-FLA
- Flash ROM for easy field upgrades
- FC Class 3 support
- Local management and diagnostics
- Buffer credits: 8 @ 512 bytes; 8 @ 2 Kilobytes
- ATTO Advanced Data Streaming (ADS™) Technology

## Advanced FC capabilities

- Supports SNIA HBA API
- On-demand automatic negotiation among 4-Gb, 2-Gb and 1-Gb Fibre Channel
- Supports target and initiator modes
- Supports Windows FDMI and WMI

## PCI bus specifications

- 64-bit, 133 MHz PCI-X
- PCI-X 1.0a compliant
- PCI 2.2 compliant
- 3.3V PCI signaling only

## Environmental & physical specifications

- Conforms to PCI low profile form factor standards
- Length: 6.600 inches
- Height: 2.536 inches
- Operating temperature: 0-45°C (32°-113°F)
- Storage temperature: -40° to 70°C (-40° to 158°F)
- Relative humidity: 10 to 90% non-condensing
- 3.3V@ 1.5A (max.)
- 100 lf/m (minimum) airflow recommended
- RoHS compliant

## External connectivity

- Easy-to-install full height connection plate
- External LEDs for on-line and speed status
- Optical LC SFP transceiver included

## Software specifications

- Windows 7®, XP®, Vista®
- Windows Server® 2003, 2008
- Mac® OS X 10.4.x - 10.5.x
- RedHat Enterprise Linux® 2.x (2.4.x kernels)
- RedHat Enterprise Linux® 3.x (2.4.x kernels)
- RedHat Enterprise Linux® 4.x (2.6.x kernels)
- RedHat Enterprise Linux® 5.x (2.6.x kernels)
- SUSE Linux Enterprise® 8.x (2.4.x kernels)
- SUSE Linux Enterprise® 9.x (2.6.x kernels)
- SUSE Linux Enterprise® 10.x (2.6.x kernels)
- Fedora Core Linux® 7.x (2.6.x kernels)
- Fedora Core Linux® 8.x (2.6.x kernels)
- Fedora Linux® 9.x (2.6.x kernels)
- Solaris® 9.x x86
- Solaris® 10.x x86

## Selection guide: Celerity 8-Gb adapters

Product Features	FC-84EN	FC-82EN	FC-81EN
Fibre Channel Ports	4	2	1
FC protocol	8-Gb	8-Gb	8-Gb
Maximum Transfer Rate (half duplex)	3.2 GB/sec	1.6 GB/sec	800 MB/sec.
Maximum Transfer Rate (full duplex)	6.4 GB/sec	3.2 GB/sec	1.6 GB/sec.
Bus type	PCIe 2.0	PCIe 2.0	PCIe 2.0
Bus characteristics	8 lane	8 lane	4 lane
Optical interface	SFP+LC	SFP+LC	SFP+ LC
Maximum cable length	300m@2-Gb 150m@4-Gb 50m@8-Gb	300m@2-Gb 150m@4-Gb 50m@8-Gb	300m@2-Gb 150m@4-Gb 50m@8-Gb
Low profile form factor		✓	✓
Advanced Data Streaming (ADS™) Technology	✓	✓	✓
Software RAID support <sup>1</sup>	✓	✓	✓
Developer's kit (Target Mode & API)	✓	✓	✓
Windows support	✓	✓	✓
Linux driver support	✓	✓	✓
Macintosh OS X driver support	✓	✓	✓
VMware ESX Server 3.5	✓	✓	✓
1 ATTO Express Power Center recommended			

## Selection guide: Celerity 4-Gb adapters

Product Features	FC-44ES	FC-42ES	FC-41ES/	FC-42XS	FC-41XS
Fibre Channel Ports	4	2	1	2	1
FC protocol	4-Gb	4-Gb	4-Gb	4-Gb	4-Gb
Maximum Transfer Rate (half duplex)	1.6 GB/sec	800 MB/sec	400 MB/sec.	800 MB/sec	400 MB/sec
Maximum Transfer Rate (full duplex)	2 GB/sec	1 GB/sec	800 MB/sec.	1 GB/sec <sup>1</sup>	800 MB/sec
Bus type	PCIe	PCIe	PCIe	PCI-X	PCI-X
Bus characteristics	8 lane	4 lane	4 lane	64-bit 133 MHz <sup>2</sup>	64-bit 133 MHz <sup>2</sup>
Optical interface	SFP LC	SFP LC	SFP LC	SFP LC	SFP LC
Maximum cable length	300m@2-Gb 150m@4-Gb	300m@2-Gb 150m@4-Gb	300m@2-Gb 150m@4-Gb	300m@2-Gb 150m@4-Gb	300m@2-Gb 150m@4-Gb
Low profile form factor		✓	✓	✓	✓
Advanced Data Streaming (ADS™) Technology	✓	✓	✓	✓	✓
Software RAID support	✓	✓	✓	✓	✓
Developer's kit (Target Mode & API)	✓	✓	✓	✓	✓
Windows support	✓	✓	✓	✓	✓
Linux driver support	✓	✓	✓	✓	✓
Macintosh OS X driver support	✓	✓	✓	✓	✓
VMware ESX Server 3.5	✓	✓	✓		
Novell Netware	✓	✓	✓	✓	✓
Solaris	✓	✓	✓	✓	✓
Free BSD	✓	✓	✓	✓	✓
<p>1 Performance ceiling is Performance constrained by bus transfer speed. Backward compatible to 32-bit and 33 MHz PCI</p> <p>2 ATTO Express Power Center recommended</p>					

## 2 Install Drivers

---

Before installing your Celerity adapter, you must configure your system to recognize and use it by installing drivers for your operating system.

Configure your system to recognize and use your Celerity adapter by installing drivers for your operating system.



### Note

*If you already have one or more Celerity adapters installed and you are installing additional adapter(s), you do not need to perform any of these procedures unless you are updating a previously installed driver.*

ATTO Celerity adapters ship with the latest firmware installed. The Celerity FC Installation CD shipped with your adapter also contains the latest driver.

The Installation CD automatically starts when inserted in the system CD-ROM drive. Navigate the easy-to-use HTML-based menu to find the driver for your adapter and operating system.

The Celerity FC Installation CD referred to in these instructions can be the Installation CD shipped with your adapter, a folder containing the latest downloaded and expanded driver, a Celerity FC installation floppy disk, or a USB flash drive.

## Windows

---



### Note

*Windows 7, Vista and 2008 may utilize a new User Account Control Feature. Because of this there may be additional confirmations that will need to be performed to properly install the driver. These confirmations normally consist of a dialog where the user has to give Windows permission to perform an action. If you do not have the correct privileges during this, you will be prompted for an actual user name and password. You may need to contact your system administrator if you do not have this information.*

navigate to the root of the CD and run the **AUTORUN.BAT** batch file.

- 3 Click on **Windows Drivers**.
- 4 Click on **Windows XX Driver** link based on the HBA speed (4Gb or 8Gb) and operating system (x86, x64 or Itanium) in use. If you are unsure which version you are using, please contact your system administrator.
- 5 Click **Install Windows Driver XX** next to the appropriate item to initiate the driver setup program.
- 6 Follow the on-screen instructions to complete the driver installation.

### Driver Installation

- 1 Power on your system and log in as the administrator or a user with proper administrative privileges.
- 2 Insert the Installation CD. The ATTO Installation CD guide should appear. If not,



### Note

*WHQL Certified Drivers are available for select Celerity Fibre Channel HBAs. If available, these drivers will be listed below the default Windows drivers.*



## Creating Windows installation media



### Note

*Installation media is required when performing an installation of Windows to a hard drive that is controlled by a Celerity FC host adapter. A floppy is required for Windows 2000, XP or 2003. Windows 7, Vista and 2008 can utilize other media such as removable USB stick. This procedure does not apply to Itanium systems as the Celerity FC driver does not support boot functionality on these systems.*

- 1 Power on your system and log in as the administrator or a user with proper administrative privileges

- 2 Insert the Installation CD. The ATTO Installation CD guide should appear. If not, navigate to the root of the CD and run the **AUTORUN.BAT** batch file
- 3 Click on **Windows Drivers**.
- 4 Click on **Windows XX Driver** link based on the HBA speed (4Gb or 8Gb) and operating system (x86, x64 or Itanium) in use. If you are unsure which version you are using, please contact your system administrator.
- 5 Click **Install Windows Driver XX** next to the appropriate item to initiate the driver setup program.
- 6 Follow the on-screen instructions to complete the driver installation.

## OS X



### Note

*The ATTO Celerity FC host adapters support OS X Snow Leopard, Leopard and Tiger operating systems. ATTO 8Gb FC adapters also have EFI boot support on Intel based systems.*

### Driver Installation (for all ATTO FC host adapters)

- 1 Power on your system and log in as the administrator or a user with proper administrative privileges.
- 2 Insert the Installation CD.
- 3 After the CD mounts, open the Celerity volume on the desktop.
- 4 Open the **Drivers** folder.
- 5 Open the folder corresponding to the speed of the HBA.
- 6 Open the folder corresponding to the OS X version in use.
- 7 Launch the installer package.
- 8 Follow the on-screen instructions.

### Installing a fresh copy of OS X onto a disk attached to a Celerity FC adapter (only for 8Gb FC adapters)



### Note

*Boot support is available on Intel-based systems only.*



### Note

*The EFI boot driver is disabled by default. To enable it, use the ATTO Configuration Tool in an existing OS X installation, or use the EFI Configuration utility built into the EFI driver (see the procedure below for launching the utility).*



### Note

*This is a two step process. First step is to adjust adapter settings with the EFI Configuration utility. Second step is to install the OS X onto a disk attached to the adapter. Please review thoroughly to ensure you are using the second step corresponding to the OS X version available in your system .*

### Adjusting adapter settings with the EFI Configuration Utility (only for 8Gb FC adapters)



### Note

*Depending on your configuration, it may be necessary to adjust adapter NVRAM settings prior to performing the OS X installation. For example, you may need to modify the connection mode or data rate. The EFI configuration utility can be launched from the EFI shell.*



#### Note

An EFI shell is not included with Intel Macs. ATTO recommends rEFIt, which is available for free from <http://refit.sourceforge.net>. Once you have downloaded the DMG or rEFIt, follow these steps to open the EFI Configuration Utility.

- 1 Burn the rEFIt DMG file to a CD. Do not remove the CD.
- 2 Shut down the system and install the Celerity adapter
- 3 With the rEFIt CD inserted, boot the system while pressing and holding 'C' key. This will boot the rEFIt CD.
- 4 The rEFIt boot menu will appear which contains a series of icons. Release the 'C' key and use the arrows to highlight the "Start EFI Shell" icon. Press 'Return' to enter the EFI Shell.
- 5 At the prompt, enter the 'driver-b' command. Scroll through the list of installed EFI drivers and find the ATTO Celerity driver. There may be more than one entry based on the number and type of adapter(s). Note the two or three digit hexadecimal driver handle on the far left of the screen.
- 6 At the prompt, enter 'drvcfg -s {handle}' where {handle} is the hexadecimal number from the previous step. This will launch the EFI Configuration Utility for the associated adapter.
- 7 Use the on-screen menus to configure your adapter. Help is available at the bottom of the screen.
- 8 When exiting the configuration utility, if you changed any settings, the system will restart the adapter so the new settings take effect.
- 9 At the prompt, enter 'exit' to return to the rEFIt boot menu or 'reset' to restart the system.

### Installing OS X Snow Leopard onto a disk attached to a Celerity adapter (only for 8Gb FC adapters)

- 1 Install your Celerity adapter and connect your storage.
- 2 If you are launching the OS X installation by booting the installation DVD:

- a. Launch the installation and proceed to the "Select the disk where you want to install Mac OS X" screen
- b. If you need to partition your disk, open Disk Utility from the Utilities menu. Once you partition your disk and exit, the newly created volume will appear in the installer window.

- 3 If you are launching the OS X installation from an existing OS X installation:
  - a. If you need to partition disk, open Disk Utility from /Applications/Utilities. Partition your disk and exit.
  - b. Launch the installation DVD and proceed to the "Select the disk where you want to install Mac OS X" screen.
- 4 Select the volume on the disk where you want to install OS X.
- 5 Click 'Install' and proceed with the rest of OS X installation.
- 6 When OS X installation completes, install the latest Celerity driver from the [ATTO Technology website](#).

### Installing OS X Leopard or Tiger onto a disk attached to a Celerity adapter (only for 8Gb FC adapters)



#### Note

Due to limitations of the Mac OS X Installer, two systems are required to complete this procedure. These will be referred to as the "target" and "host" systems. The target system will contain your Celerity adapter and storage. The host system will only be used during the installation and must be an Intel-based system capable of booting the OS X installation CD. However, it does not have to be the same type of system as the target system. For example, you may use a MacBook Pro to install OS X on a Mac Pro containing your Celerity adapter. Both systems must have an available FireWire port.

- 1 On the target system, install the Celerity adapter and connect your storage.
- 2 Connect the target and host systems with a FireWire cable.

- 3 Power on the target system while pressing and holding 'T', this will boot the target system in target disk mode. You may release the key when the FireWire symbol appears.
- 4 On the host system, insert the OS X installation disc and begin installation. Proceed through the installation wizard until you reach the destination volume selection window.
- 5 Select a volume on the storage attached to the Celerity adapter. If a volume is not present, open the Disk Utility from the OS X Installer menu to create a volume. The storage will appear in Disk Utility as 'AAPL FireWire Media'. Exit the Disk Utility when finished and select the newly created volume.
- 6 Finish the OS X installation, restart the host system when prompted, and complete the OS X setup wizard. You may now remove the OS X installation disc.
- 7 On the host system, obtain and install the latest version of the Celerity OS X driver from the software CD that came with your adapter or the [ATTO Technology website](#).
- 8 On the host system, open System Preferences and restore the Startup Disk to the disk that the host system booted from before performing this procedure. After restarting, you may disconnect the FireWire cable from the target system. The host system is no longer needed.
- 9 Power off the target system and power it back on again normally. If you previously had an OS X installation present, it will boot that version of OS X. Otherwise, the new OS X installation will be booted.
- 10 On the target system, open System Preferences and set the Startup Disk to the new OS X installation and restart.

## Linux



### Note

*These steps assume a basic knowledge of Linux terminal commands. You must also have the correct kernel source files for the appropriate kernel already installed.*

- 1 Power on your system and log in as the administrator or a user with proper administrative privileges.
- 2 Insert the Installation CD.
- 3 After the CD mounts, open the Celerity volume on the desktop.
- 4 Open the **Linux** folder.
- 5 Open the **Drivers** folder.
- 6 Open the folder corresponding to the speed of the HBA.
- 7 Copy the .tgz file to a temporary folder.
- 8 Open a terminal window and change to the location of copied tgz from step 7.
- 9 Extract the file using the command **tar -xzf <filename.tgz>**.
- 10 Change to the directory created above then run the installer script **./install.sh**.

## VMware ESX 4

### Driver CD usage during ESX Installation (4.x only)



### Note

*8Gb Celerity support only.*

For ESX Server 3.5 please refer to [VMware ESX 3.5](#) on page 16.

During ESX 4.x installation, you may choose to install customer drivers. This will allow you to install ESX to storage that is attached to your ATTO adapter.

- 1 During ESX installation, select Yes to install customer drivers and click Add.

- 2 The installer will prompt you to insert the media containing the ATTO device driver.
- 3 After you add the ATTO driver, the installer will prompt you to reinsert the ESX installation media and continue with the installation.

### Driver CD as an Update CD (4.x only)

- 1 Extract the Driver CD ISO on your local workstation using an third party ISO reader.



### Note

*Microsoft operating systems after Windows Vista include a built-in ISO reader.*

- 2 Extract the **offline\_bundle.zip** from the ISO image.
- 3 Use the Data Browser in the vSphere Client to upload the ZIP file that was extracted from the ISO to your ESX host.



**Note**

*Alternatively, you can use a program like WinSCP to upload the file directly to your ESX host. However, it requires root privileges to the host to perform the upload.*

- 4 Log in to the ESX host as root directly from the Service Console or through an SSH Client.

- 5 Place the ESX host in **Maintenance Mode** from the vSphere Client.
- 6 Run this command from the Service Console or your SSH Client to install the bundled package:

**esxupdate --bundle=<name of bundled zip>  
update**

- 7 When the package has been installed, reboot the ESX host by typing reboot from the Service Console.

## VMware ESX 3.5

For ESX Server 4.0 please refer to [VMware ESX 4](#) on page 15



**Note**

*8 & 4Gb Celerity PCIe support only. PCIx cards are not supported.*

### Creating and using the Driver CD.

- 1 Download the correct driver .iso file from the VMware Drivers & Tools Download site.
- 2 Write the .iso image to a CD-ROM.
- 3 Use the CD-ROM as a Boot CD or an Update CD.

### Driver CD as a Boot CD Only



**Note**

*The following procedure describes how to use the driver CD as a boot CD. Use this CD as a boot CD only if the new driver must enable the target device on which ESX Server 3.5 will be installed.*

- 1 Place the driver CD in the CD-ROM drive of the host machine.
- 2 Start the host machine.
- 3 When prompted for an upgrade or installation, press Enter for graphical mode.
- 4 Choose the language you prefer.
- 5 Select a keyboard type.
- 6 After you are prompted to swap the driver CD with the ESX Server installation CD, insert the ESX Server 3.5 installation CD and continue with ESX Server installation.

- 7 After ESX Server is installed and the system reboots, log in to ESX Server.
- 8 Verify that the driver is installed successfully:
  - a. Run the **esxupdate query** command. A message containing the information about the driver appears.
  - b. View the PCI ID XML file in the **/etc/vmware/pciid/** directory. The driver information is available in the file.
  - c. Check for the latest version of the driver module in the following directory: **/usr/lib/vmware/vmkmmod/**
  - d. To verify that the driver is loaded and functioning, enter **vmkload\_mod -l** command. The driver is listed in the displayed list.

### Driver CD as an Update CD Only



**Note**

*The following procedure describes how to use the driver CD to update or add the driver on an existing ESX Server 3.5.*

- 1 Start the ESX Server machine and log in to service console as root.
- 2 Place the driver CD in the CD-ROM drive of the server.
- 3 Mount the driver CD.
- 4 Change the directory to the **VMupdates/RPMS/** on the driver CD.

- 5 Run the **esxupdate update** command.



**Note**

*If the hardware is not already installed on the system, run the **esxupdate** command with the **--noreboot option**, shut down the host machine manually, install the hardware, and then boot the host machine. This allows you to install in a single boot.*

*The server reboots after the driver update.*

- 6 Remove the driver CD from the CD-ROM drive before the system reboots.
- 7 After the system reboots, log in to ESX Server.

- 8 Verify that the driver is installed successfully:
  - a. Run the **esxupdate query** command and verify that the information about the driver is mentioned in the resulting message.
  - b. View the PCI ID XML file in the **/etc/vmware/pciid/** directory. The driver information is available in the file.
  - c. Check for the latest version of the driver module in **/usr/lib/vmware/vmkmmod/**
  - d. To verify that the driver is loaded and functioning, run the **vmkload\_mod -l** command. The driver is listed in the displayed list.

## Specialized configurations

---

Some specialized applications may benefit from modification of adapter settings. The ATTO Utilities Installation and Operation Manual provides detailed information on using ATTO Technology configuration utilities found on the Installation CD or downloaded from the [ATTO website](#).

# 3 Hardware Installation

You need a basic understanding of Fibre Channel before installing the Celerity FC host adapter. Please refer to Appendix A for a list of related websites.



## CAUTION

Back up your system data before changing or installing any hardware.

## System requirements

The Celerity FC host adapter package contains the host adapter, the ATTO Utilities CD and a warranty and registration card. If any of these items are missing, contact your ATTO authorized sales representative.

To install and use the Celerity Fibre Channel host adapter you need:

- A computer with an available PCI, PCI-X or PCI Express expansion slot
- The complete Celerity FC host adapter package

## Fibre Channel address

Celerity FC adapters are configured with a unique address designated by the Institute of Electrical and Electronic Engineers. The WorldWide Port Name (WWN) and Node Name are the two components of the address assigned to Fibre Channel products. This address, stored in flash memory, allows the system to recognize the Celerity host adapter as a unique part of your configuration. The address is clearly marked on the back of the board for easy identification. Please keep a reference copy of the number in a safe place or write in the space provided on this page.

Celerity FC host adapter WWNs are assigned for each channel. The WWN listed on your host adapter is assigned to the first channel (1). Sequential WWNs apply for additional channels.

WWN 1: all adapters

WWN 2: 44ES, 42ES, 42XS, 82EN, 84EN

WWN 3: 44ES, 84EN

WWN 4: 44ES, 84EN

## Installation



## CAUTION

Celerity FC host adapters contain components that are sensitive to electrostatic discharge (ESD). ESD can cause damage to the Celerity FC host adapter. Please follow standard methods to avoid ESD.

- 1 Install the latest drivers. Refer to [Install Drivers](#) on page 12.
- 2 Power down the computer and unplug the computer from all power sources.
- 3 Open the case.
- 4 Install the Celerity FC host adapter in any open PCI-X or PCI Express expansion slot. If you have questions about how to install an expansion card in your system, consult your computer's documentation.

Drawings of Celerity brackets begin on page 19 and drawings of boards begin on page 21.



## Note

*The Celerity FC-41XS, and FC-42XS host adapters only fit in 3.3V slots.*

*The Celerity FC-42ES and FC-41ES fit into x4, x8, or x16 mechanical PCI Express slots.*

- 5 Connect Fibre Channel devices by inserting a Fibre Channel cable from the devices to the connectors on the Celerity FC host adapter until you hear a click.
- 6 Close the case on the computer and power it up.

# Bracket details

Exhibit 3-1 FC-84EN

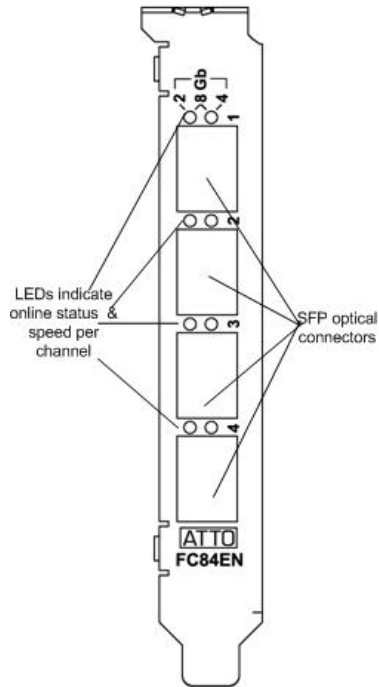


Exhibit 3-4 FC-81EN full height and low profile

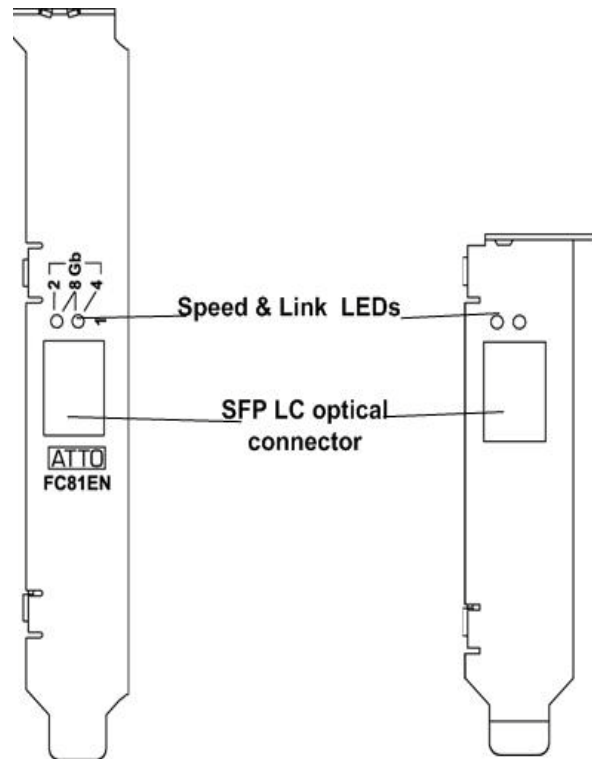


Exhibit 3-2 FC-82EN full height and low profile

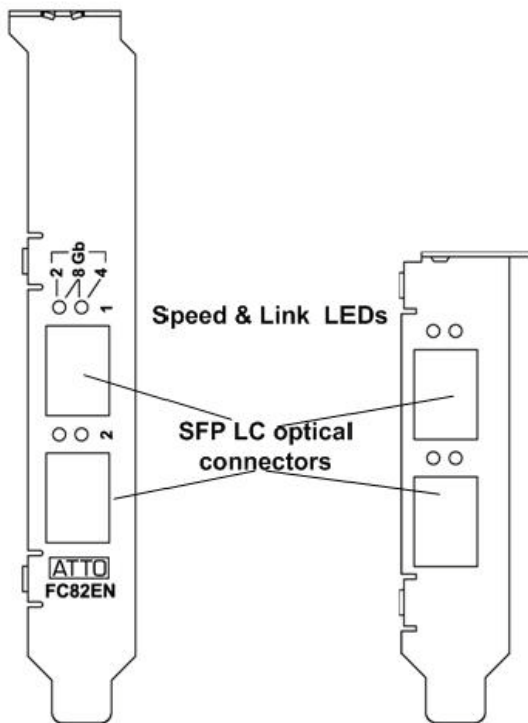


Exhibit 3-5 FC-44ES full height

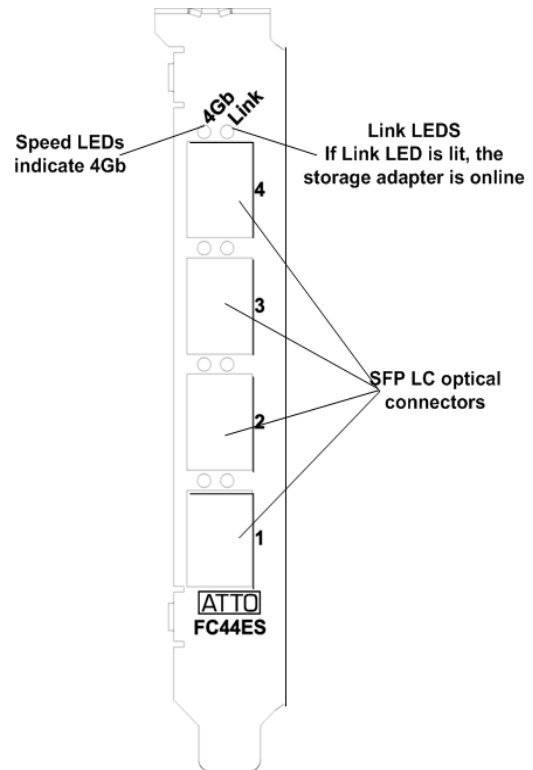


Exhibit 3-3

Exhibit 3-6 FC-42ES low profile, full height

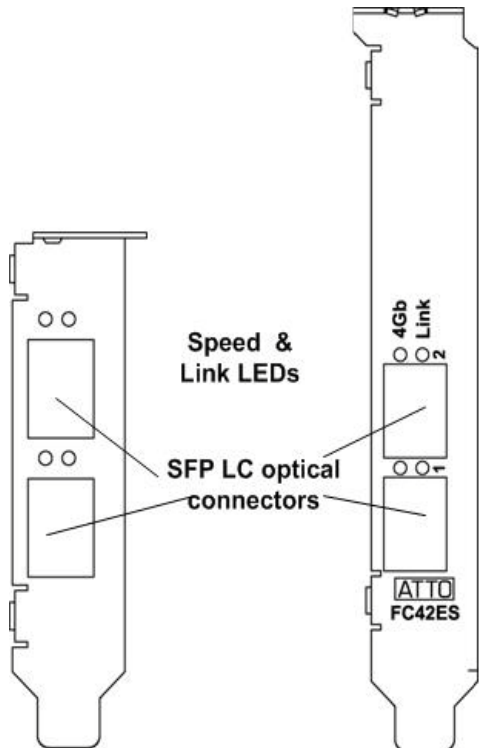


Exhibit 3-9 FC-42XS low profile and full height

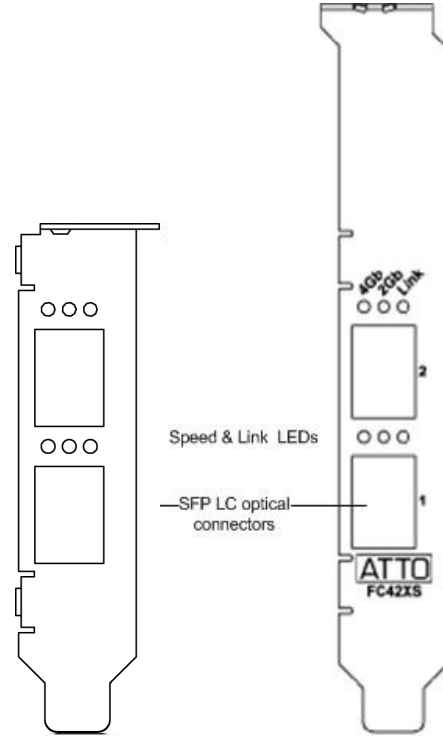


Exhibit 3-7 FC-41ES low profile and full height

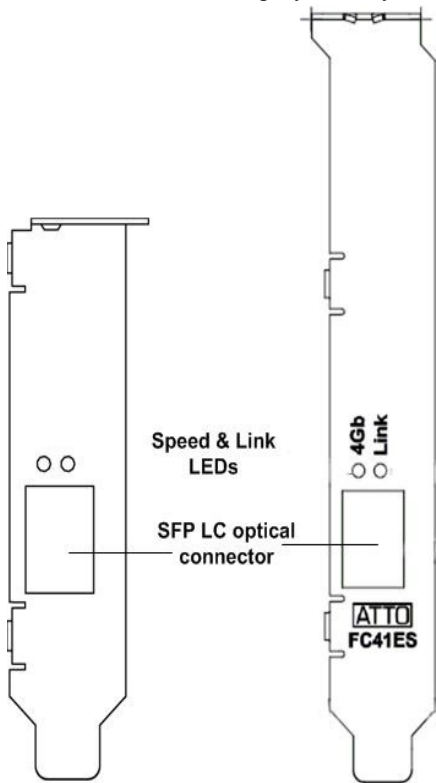


Exhibit 3-10 FC-41XS low profile and full height

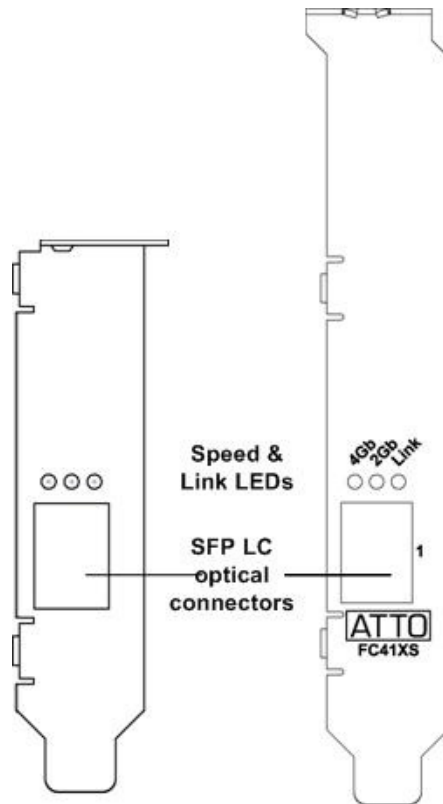


Exhibit 3-8 FC-41EL low profile, full height



# Adapter board details

Exhibit 3-11 FC-84EN

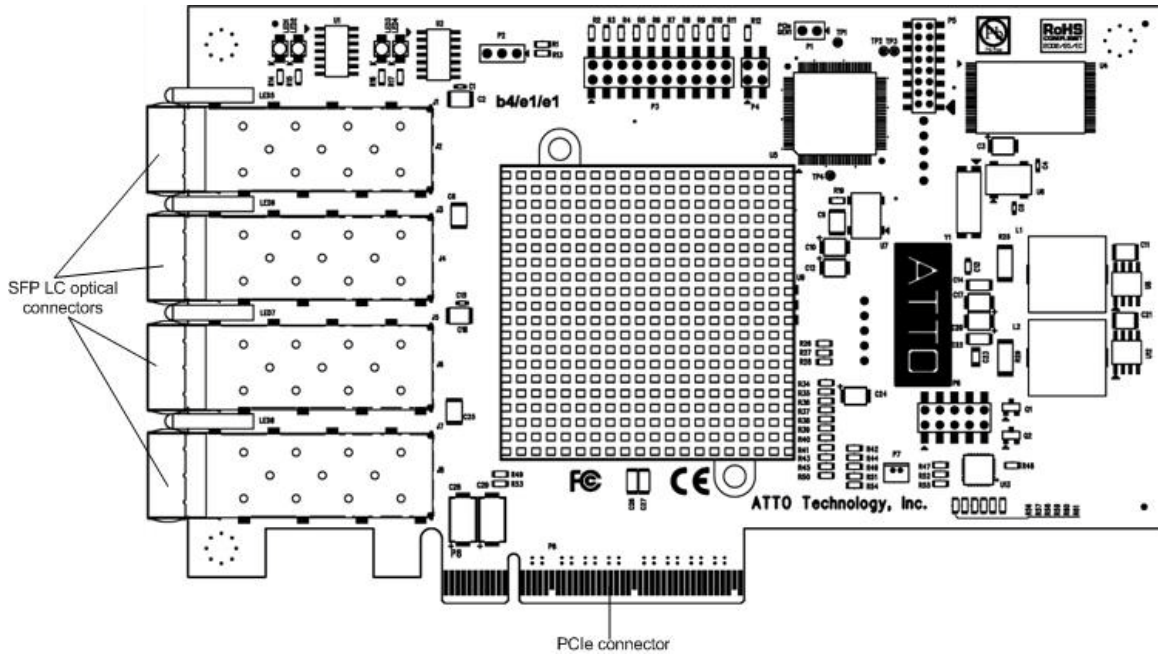


Exhibit 3-12 FC-82EN

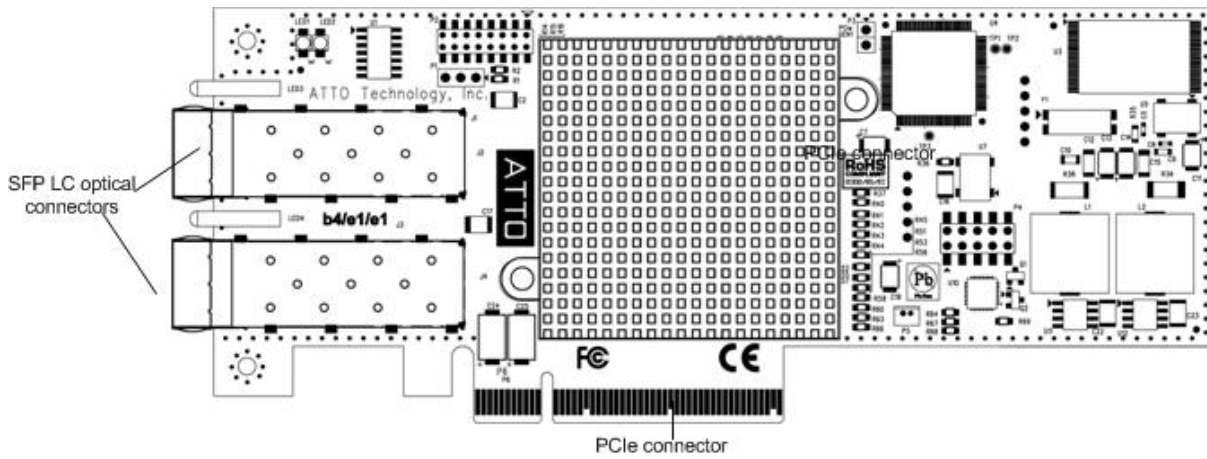


Exhibit 3-13 FC-81EN

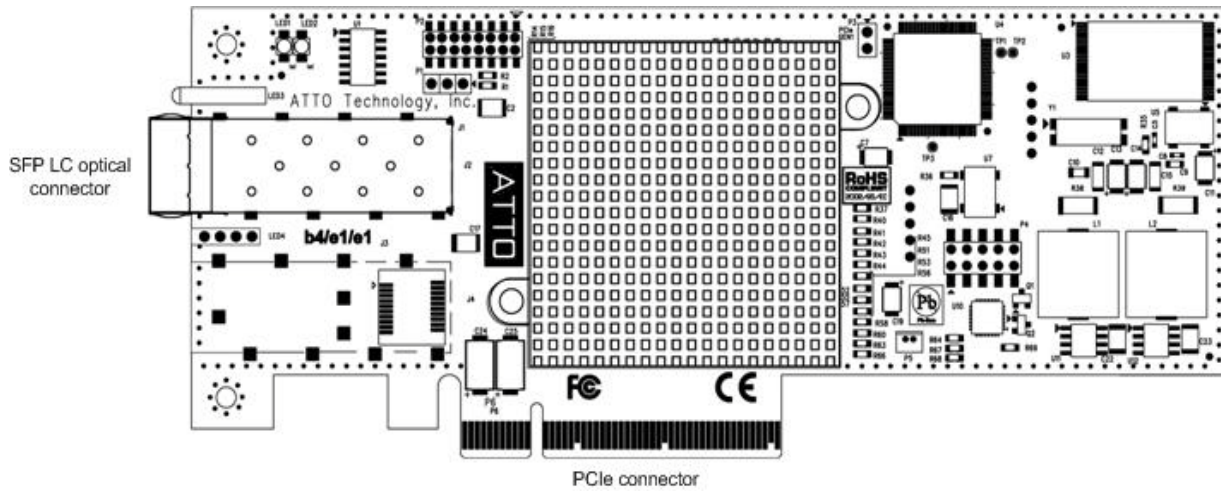


Exhibit 3-14 FC-44ES

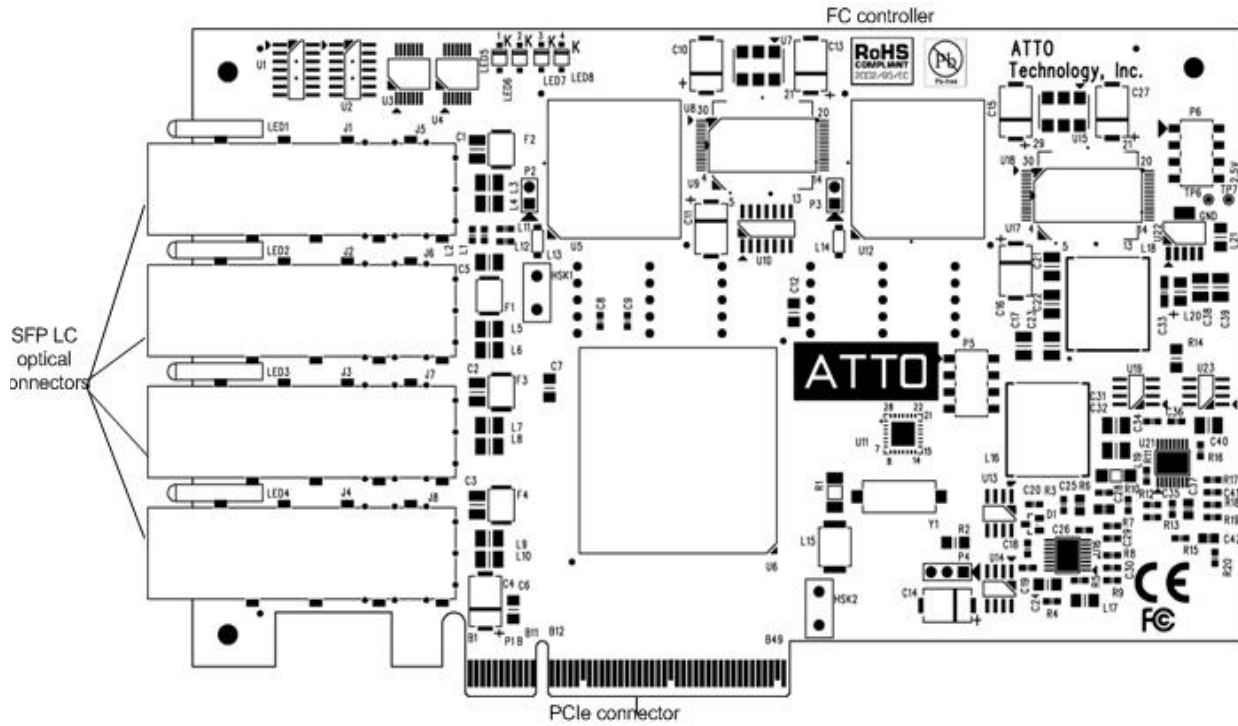




Exhibit 3-17 FC-42XS

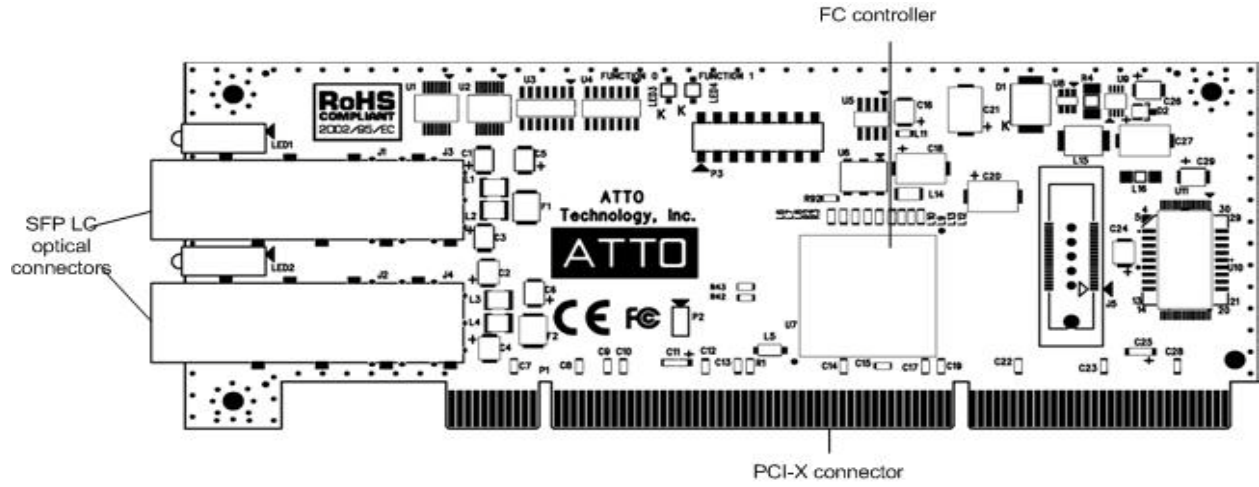
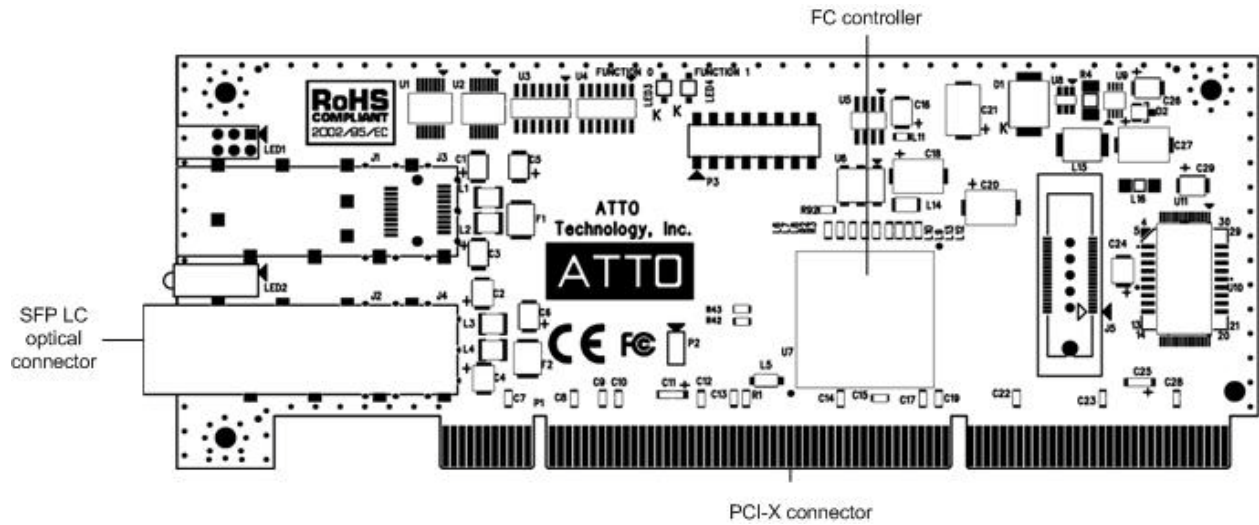


Exhibit 3-18 FC-41XS



## 4 Updating Hardware Flash, Drivers

Your Celerity FC host adapter is shipped with the latest flash and drivers but these may need to be updated as new versions become available. Visit the ATTO website, [www.attotech.com](http://www.attotech.com), to download the latest drivers and flash bundle.

### Updating flash

Hardware flash memory may need to be updated as new versions become available.

- 1 Download and install the most recent version of the **Configuration Tool** from the ATTO website. Refer to [Updating the ATTO Configuration Tool](#) on this page.
- 2 Download the proper flash bundle (adapter specific) from the ATTO website.
  - a. Go to [www.attotech.com](http://www.attotech.com)
  - b. Click on **downloads**.
  - c. Register or log in if previously registered.
  - d. Click on **Fibre Channel Host Adapters** in the left dialog.
  - e. Navigate to your HBA model in the right dialog and click on it.
  - f. Scroll down to and click the desired flash bundle depending on the operating system.
  - g. A download window appears. Choose **Save**.
  - h. After the download has completed, process the downloaded file:
    - On OS X, mount the **.dmg** file.
    - On Windows, extract the **.zip** file.
    - On Linux, expand the **.tgz** file.
- 3 Launch the **Configuration Tool**.
- 4 In the **Device** window, select the adapter that needs to be updated.
- 5 In the **Flash** window, click on the **Browse** button to find the flash bundle that you previously downloaded and extracted to your desktop.
- 6 Click **Update** to update your flash ROM.
- 7 Repeat for any additional adapters installed in the machine.
- 8 Reboot your system for the changes to take effect.

### Updating drivers

Update drivers by downloading the latest driver software from the ATTO Technology website.

- 1 Go to [www.attotech.com](http://www.attotech.com)
- 2 Click on **downloads**.
- 3 Register or log in if previously registered.
- 4 Click on **Fibre Channel Host Adapters** in the left dialog.
- 5 Register or log in if previously registered.
- 6 Navigate to your HBA model in the right dialog and click it.
- 7 Scroll down to and click the desired driver depending on the operating system.
- 8 A download window appears. Choose **Save**.
- 9 After the download has completed, process the downloaded file:
  - On OS X, expand the **.tgz** file, then double click on the installer icon.
  - On Windows, run the downloaded **.exe** file.
  - On Linux, expand the **.tgz** file, then run the **install.sh** installation script.
- 10 Follow the instructions for installing the drivers.

### Updating the ATTO Configuration Tool

If you want the latest version of the ATTO Configuration Tool, download it from the ATTO website.

- 1 Go to [www.attotech.com](http://www.attotech.com).
- 2 Click on **downloads**.
- 3 Register or log in if previously registered.
- 4 Click on **Fibre Channel Host Adapters** in the left dialog.
- 5 Register or log in if previously registered.
- 6 Navigate to your HBA model in the right dialog and click it.
- 7 Scroll down to and click the desired **ATTO Configuration Tool** depending on the operating system.
- 8 A download window appears. Choose **Save**.

- 9 After the download has completed, process the downloaded file:
  - On OS X, mount the **.dmg** file, then double click on the installer icon located in the new volume.
  - On Windows, run the downloaded **.exe** file.
  - On Linux, expand the **.tgz** file, then run the **.bin** installer application.
- 10 Follow the instructions for installing the application.
- 11 To use the tool, refer to the ATTO Utilities Installation and Operation Manual which may be downloaded from the ATTO website.
  - a. Go to [www.attotech.com](http://www.attotech.com).
  - b. Click on **downloads**.
  - c. Register or log in if previously registered.
  - d. Click on **Fibre Channel Host Adapters** in the left dialog.
  - e. Navigate to your HBA model in the right dialog and click it.
  - f. Click the **Utility Manual (.pdf)** link to save/open the document.

# 5 Troubleshooting

This chapter contains solutions for the most common problems you might encounter. If you need additional assistance, please refer to the ATTO Technology website, [www.attotech.com](http://www.attotech.com), or contact an authorized ATTO Technology representative.

## General suggestions

- Check each cable connection on every device.
- Verify all cables are in proper working condition. Loose or broken cables are often the cause of errors or problems.
- Check that Fibre Channel devices are plugged into an AC outlet and are turned on before you add power to your computer.

## Mac OS X



Note

*The Celerity FC supports Mac OS X versions 10.4.x and later.*

- 1 Open the ATTO **Configuration Tool** from the ATTO Utilities CD or download from the ATTO website. Refer to the ATTO Utilities Installation and Operation Manual for additional information.
- 2 If the adapter does not appear in the **Device Listing**, make sure it is properly seated in the PCI slot.
  - a. Remove power from the PC.
  - b. Remove the case.
  - c. Check the PCI slot.
  - d. Replace the case.
  - e. Apply power.



Note

*If the Celerity adapter is properly seated and devices are still not accessible, contact an authorized ATTO representative.*

- 3 Verify the driver is loaded.
  - a. Click on the adapter name in the **Device Listing** to view the **Basic Info** screen.
  - b. If the **Driver Information** section indicates **Unknown: driver not loaded**, reinstall the driver. Refer to [Updating Hardware Flash Drivers](#) on page 25.
  - c. If reinstalling the driver does not fix the problem, contact an authorized ATTO representative.
- 4 Reset the NVRAM for all channels to defaults and reboot. If the problem persists, contact an authorized ATTO representative.



Note

*When calling ATTO Technical Support, please have a printout of the IOreg listing and output from the Apple System Profiler available.*

## Windows Server 2008, 2003, 2000; Vista, XP

- If the card has been recently re-flashed, a new Windows driver must be installed. Follow the procedure in [Updating Hardware Flash Drivers](#) on page 25.
- All of the external devices connected to the host adapter should be identified. If they do not appear in the **Device Manager**, the external devices or connection may not be working properly.
- For Intel-based PCs, check the computer CMOS setup and verify that the PCI slots are configured correctly.
- Procedures vary greatly: refer to the manual supplied with your system or call the computer supplier for configuration assistance.
- Windows 2000/XP/Server 2003/Vista are Plug-n-Play operating systems: be sure your computer's BIOS is set accordingly.

- If these do not solve the problem, re-flash the host adapter and re-install the Windows 2000/XP/Server 2003/Vista/2008 driver. See [Updating Hardware Flash, Drivers](#) on page 25.

If the devices connected to the Celerity FC host adapter are not accessible:

- 1 Click on the **Start** button
  - 2 Click **Control Panel**. (In XP, 2000 and 2003, click **Settings** then **Control Panel**.)
  - 3 Double click on **Administrative Tools**.
  - 4 Double click on **Computer Management**.
  - 5 Select **Device Manager**.
- If the Celerity FC host adapter does not appear under the SCSI and RAID controllers, remove

power from the PC, open the case, and check that the Celerity FC adapter is properly seated in the PCI slot. Replace the case and apply power.

- If the adapter has been identified but there is an exclamation point (!) on the listing, right click on the listing and select **Uninstall**.
- 6 Reload the driver (see [Updating Hardware Flash, Drivers](#) on page 25).
  - 7 Reboot the system and repeat the installation process.
  - 8 If problems persist, contact your authorized ATTO Technology representative.

## Linux

---

- 1 Verify the celerityfc driver is loaded with the **lsmod** command. If **lsmod** does not show the driver, refer to the installation instructions to install and load the driver in [Updating Hardware Flash, Drivers](#) on page 25.
- 2 Check the system log with the command **dmesg**. The celerityfc driver creates status messages during initialization. Make sure that all installed cards are properly detected and initialized.

- 3 Examine the contents of the file(s) **/proc/scsi/celerityfc/X**, where X is the adapter's host number. This file contains details such as link status, connection speed and discovered devices.



### Note

*Advanced users only. Modify the **driver makefile** to enable debugging information. Upon loading, the **celerityfc driver** displays detailed debugging information which may help troubleshoot the problem.*

## VMware

---

- 1 After driver installation, please reboot host. Once the host is back online, go to **Storage** and create **VMFS datastore**. If storage does not appear, perform a rescan using the **VMware Storage** option. If your storage does not present itself, thereafter, please contact your SAN administrator.



# Appendix A Glossary

Some terms used in the Fibre Channel industry are defined below. More information is available through the ATTO Technology website ([www.attotech.com](http://www.attotech.com)), the Fibre Channel Industry Association ([www.fibrechannel.com](http://www.fibrechannel.com)), Cern ([www.cern.ch](http://www.cern.ch)), the Storage Area Networking Industry Association ([www.snia.org](http://www.snia.org)), and the Fibre Channel Consortium ([www.iol.unh.edu/consortiums](http://www.iol.unh.edu/consortiums), click on FC).

<b>Term</b>	<b>Definition</b>
ANSI	American National Standards Institute
arbitrate	process of selecting one L_Port from a collection of ports which ask for use of the arbitrated loop at the same time
arbitrated loop	a loop topology (FC-AL) in which two or more ports are interconnected, but only two ports can communicate at one time; low-cost solution which may or may not use hubs and switches
auto negotiation	hardware senses and automatically responds depending on configuration
BER	Bit Error Rate: a measure of transmission accuracy; the ratio of bits received in error to bits sent
bit	smallest unit of data a computer can process: a single binary digit with a value of either 0 or 1
bus	a collection of unbroken signal lines used to transmit information from one part of a computer system to another; taps on the lines connect devices to the bus
byte	an ordered set of 8 bits
channel	a point-to-point link which transports data from one point to another
CPU	Central Processing Unit: the portion of the computer that actually performs computations
CRC	Cyclic Redundancy Check: an error-correcting code which calculates a numeric value for received and transmitted data; if no error has occurred during transmission, the CRC for both received and transmitted data should be the same
destination address	a value in the frame header of each frame which identifies the port in the node where the frame is being sent
device driver	a program that allows a microprocessor to direct the operation of a peripheral device
DMA	Direct Memory Access: a way to move data from a storage device directly to RAM without using the CPU's resources
DMA bus master	allows a peripheral to control the flow of data to and from system memory by block as opposed to allowing the processor to control the data by bytes (PIO or programmed I/O)
fabric	a Fibre Channel switch of two or more Fibre Channel switches interconnected to physically transmit data between any two N_Ports on the switch or switches
FC	Fibre Channel
F_port	a port in the Fibre Channel fabric where a N_port may attach
FL_port	a port in the Fibre Channel fabric where a NL_port may attach in an arbitrated loop
frame	an indivisible unit for transfer of information in Fibre Channel
frame header	the first field in the frame containing the address and other control information about the frame
full-duplex	a communication protocol which allows transmission in both directions at the same time
half duplex	a communication protocol which allows transmission in both directions, but only one direction at a time
host	a processor, usually a CPU and memory, which communicates with devices over an interface
initiator device	a component which originates a command
L_port	a port in an arbitrated loop, either a NL_port or a FL_port
LED	Light-emitting diode: a type of diode that emits light when current passes through it; visible LEDs are used as indicator lights on all sorts of electronic devices
LUN	Logical Unit Number: an identifier for a logical unit (0-7)
multi-mode fiber	an optical fiber which can carry several beams of light at once

<b>Term</b>	<b>Definition</b>
N_port	a port attached to a node used with point to point or fabric configurations
NL_port	a port attached to a node in Fibre Channel arbitrated loop or fabric loop configuration
originator	an initiating device; a component which originates a command
parity checking	a method which verifies the accuracy of data transmitted over the SCSI bus by adding one bit in the transfer to make the sum of all the bits either odd or even (for odd or even parity); an error message occurs if the sum is not correct
PCI	Peripheral Component Interconnect. Allows peripherals to be connected directly to computer memory, bypassing the slower ISA and EISA busses
point-to-point	a topology where two ports communicate
port	an access point in a device: see N_port, NL_port, etc.
port address	also port number; the address, assigned by the PCI bus, through which commands are sent to a host adapter board
port number	see port address
receiver	the ultimate destination of data transmission; a terminal device
SAS	Serial Attached SCSI: a serial SCSI bus technology and point to point architecture for connecting host bus adapters to storage devices
SATA	Serial AT Attachment: a serial ATA bus technology and point to point architecture for connecting host bus adapters to storage devices
scatter/gather	a device driver feature which allows the host adapter to modify a transfer data pointer so that a single host adapter can access many segments of memory, minimizing interrupts and transfer overhead
SCSI	Small Computer Systems Interface: a processor-independent standard for system-level interface between a computer and intelligent devices including hard disks, floppy disks, CD-ROM, printers, scanners, etc.
single-mode fiber	an optical fiber with a small core which supports one wavelength (ray of light); the core radius is nearly equal to the wavelength of the source
SNMP	Simple Network Management Protocol: a standard for monitoring network-attached devices
topology	logical layout of the parts of a computer system or network and their interconnections
transceiver	a transmitter/receiver module
transfer rate	the rate at which bytes or bits are transferred, as in megabytes or gigabits per second

# Appendix B Accessories

*The following Fibre Channel accessories are available through ATTO Technology and authorized resellers. Contact an ATTO Technology authorized sales representative to order.*

## **Optical Cables**

CBL-FCFI-05x5 m. cable– Duplex 50 Micron Multi-mode FC/Optical  
CBL-LCSC-0033 m. 50/125 optical cable (LC to SC)  
CBL-LCSC-01010 m. 50/125 optical cable (LC to SC)

*A variety of iSCSI, Fibre Channel, SAS and SCSI products are also available from ATTO Technology. Please contact your ATTO sales representative for product descriptions and part number information.*

## **Fibre Channel and iSCSI solutions**

ATTO FibreBridge™ Fibre Channel-to-SCSI bridge  
ATTO iPBridge iSCSI to SCSI, iSCSI to Fibre Channel bridges

## **SCSI solutions**

ATTO ExpressPCI Family of SCSI Host Adapters (see Appendix C)

## **SAS/SATA Solutions**

ATTO ExpressSAS family of SAS Adapters (see Appendix C)

## **Software**

ATTO Utilities	Configuration and management software
ATTO Express Power Center	Windows & Mac OS X RAID 0 and benchmark software

## Appendix C ATTO Adapter Selection Guides

Contact your ATTO representative or visit the ATTO website for details on all ATTO products.

### ExpressPCI SCSI host adapters

Product Features	Ultra 320 SCSI		
	UL5D	UL5D LP	UL4D
Max. transfer rate (MB/sec.)	640	640	640
Low Voltage Differential	•	•	•
Single-ended SCSI	•	•	•
Number of SCSI Channels (internal/external)	2/2	0/2	2/2
Number of SCSI IDs supported	30	30	30
Low profile		•	
Large file transfers	•	•	•
Cable distances (m)	12.5	12.5	12.5
32-bit PCI compatible			•
64-bit PCI compatible			•
33 MHZ PCI			•
133 MHZ PCI-X			•
66 MHZ PCI			•
x4 PCI Express	•	•	
Windows 2000/XP, Server 2003/2008/Vista support	•	•	•
Linux support	•	•	•
Mac OS X support	•	•	•
Novell Netware support	•	•	•
RoHS compliant	•	•	•

## ExpressSAS Host and RAID adapters

Product Features	H308	H380	H30F	R348	R380	R30F
Max. Data rate	3 Gb/sec.	3 Gb/sec.	3 Gb/sec.	3 Gb/sec.	3 Gb/sec.	3 Gb/sec.
x8 PCI Express	•	•	•	•	•	•
Number of ports	8	8	16	8	8	16
Port configuration external/internal	0/8	0/8	0/16	4/8 selectable 4/4 or 0/8	8/0	0/16
Connector type	2 mini SAS (x4) SFF-8087 internal	2 mini SAS (x4) SFF-8088 external	4 mini SAS (x4) SFF-8087 internal	1 mini SAS (x4) SFF-8088 external 2 mini SAS (x4) SFF-8087 internal	2 mini SAS (x4) SFF-8088 external	4 mini SAS (x4) SFF-8087 internal
Number of devices supported	256 end-point devices	256 end-point devices	256 end-point devices	128 SAS/SATA targets	128 SAS/SATA targets	128 SAS/SATA targets
1.5 Gb SATA support	•	•	•	•	•	•
3 Gb SATA II support	•	•	•	•	•	•
3 Gb SAS support	•	•	•	•	•	•
Cable distances	up to 8m SAS, 1m SATA	up to 8m SAS, 1m SATA	up to 8m SAS, 1m SATA	up to 8m SAS, 1m SATA	up to 8m SAS, 1m SATA	up to 8m SAS, 1m SATA
Software RAID	0	0	0	0, 40, 50, 60	0, 40, 50, 60	0, 40, 50, 60
Integrated RAID				0, 1, 4, 5, 6 JBOD, DVRaid	0, 1, 4, 5, 6 JBOD, DVRaid	0, 1, 4, 5, 6 JBOD, DVRaid
RAID Management Utility				•	•	•
Global Hot Spares				•	•	•
Event notification				E-mail, pop-up, log file	E-mail, pop-up, log file	E-mail, pop-up, log file
SNMP				•	•	•
Memory (ECC)				256 MB	256 MB	512 MB
Advanced Data Streaming™	•	•	•	•	•	•
32-bit support	•	•	•	•	•	•
64-bit support	•	•	•	•	•	•
Windows	•	•	•	•	•	•
Linux	•	•	•	•	•	•
Mac OS X	•	•	•	•	•	•
VMware	•	•	•			
Low profile	•	•	1/2 height	•	•	1/2 height

ExpressSAS 6 Gb Host adapters					
Product Features	H6F0	H60F	H680	H608	H644
Max Data Rate	6 Gb/sec.	6 Gb/sec.	6 Gb/sec.	6 Gb/sec.	6 Gb/sec.
x8 PCI Express	•	•	•	•	•
Number of ports	16	16	8	8	8
Port configuration external/internal	16/0	0/16	8/0	0/8	4/4
Connector type	4 mini SAS (x4) SFF-8088 external	4 mini SAS (x4) SFF-8087 internal	2 mini SAS (x4) SFF-8088 external	2 mini SAS (x4) SFF-8087 internal	1 mini SAS (x4) SFF-8088 external 1 mini SAS (x4) SFF-8087 internal
Number of devices supported	512 end-point devices	512 end-point devices	256 end-point devices	256 end-point devices	256 end-point devices
1.5 Gb SATA support	•	•	•	•	•
3 Gb SATA II support	•	•	•	•	•
3 Gb SAS support	•	•	•	•	•
6 Gb SATA II support	•	•	•	•	•
6 Gb SAS support	•	•	•	•	•
Software RAID	0	0	0	0	0
Cable distances	up to 8m SAS, 1m SATA	up to 8m SAS, 1m SATA	up to 8m SAS, 1m SATA	up to 8m SAS, 1m SATA	up to 8m SAS, 1m SATA
Advanced Data Streaming™	•	•	•	•	•
32-bit support	•	•	•	•	•
64-bit support	•	•	•	•	•
Windows	•	•	•	•	•
Linux	•	•	•	•	•
Mac OS X	•	•	•	•	•
VMware	•	•	•	•	•
Low profile	•	•	1/2 height	1/2 height	1/2 height

## ExpressSAS 6 Gb RAID adapters

Product Features	R60F	R680	R608	R644
Max Data Rate	6 Gb/sec.	6 Gb/sec.	6 Gb/sec.	6 Gb/sec.
x8 PCI Express	•	•	•	•
Number of ports	16	8	8	8
Port configuration external/internal	0/16	8/0	0/8	4/4
Connector type	4 mini SAS (x4) SFF-8087 internal	2 mini SAS (x4) SFF-8088 external	2 mini SAS (x4) SFF-8087 internal	1 mini SAS (x4) SFF-8088 external 1 mini SAS (x4) SFF-8087 internal
Number of devices supported	128 SAS/SATA targets	128 SAS/SATA targets	128 SAS/SATA targets	128 SAS/SATA targets
1.5 Gb SATA support	•	•	•	•
3 Gb SATA II support	•	•	•	•
3 Gb SAS support	•	•	•	•
6 Gb SATA II support	•	•	•	•
6 Gb SAS support	•	•	•	•
Software RAID	0, 40, 50, 60	0, 40, 50, 60	0, 40, 50, 60	0, 40, 50, 60
Integrated RAID	0, 1, 4, 5, 6 JBOD, DVRAID	0, 1, 4, 5, 6 JBOD, DVRAID	0, 1, 4, 5, 6 JBOD, DVRAID	0, 1, 4, 5, 6 JBOD, DVRAID
RAID Management Utility	•	•	•	•
Global Hot Spares	•	•	•	•
Event notification	E-mail, pop-up, log file	E-mail, pop-up, log file	E-mail, pop-up, log file	E-mail, pop-up, log file
SNMP	•	•	•	•
Memory (ECC)	512 MB	512 MB	512 MB	512 MB
Cable distances	up to 10m SAS, 1m SATA	up to 10 SAS, 1m SATA	up to 10m SAS, 1m SATA	up to 10m SAS, 1m SATA
Advanced Data Streaming™	•	•	•	•
32-bit support	•	•	•	•
64-bit support	•	•	•	•
Windows	•	•	•	•
Linux	•	•	•	•
Mac OS X	•	•	•	•
VMware	•	•	•	•
Low profile	•	•	•	•

# Appendix D Standards, Compliances: 8Gb adapters

The Technical Specification sheet for each Celerity FC host adapter lists certifications for that model. Models covered by this page include the Celerity FC-84EN, FC-82EN and the FC-81EN.

## FCC standards: radio and television interference



This equipment has been tested and found to comply with the limits for a Class B digital device, pursuant to Part 15 of the FCC Rules. These limits are designed to provide reasonable protection against harmful interference in a residential installation. This equipment generates, uses, and can radiate radio frequency energy and, if not installed and used in accordance with the instruction manual, may cause interference to radio communications. However, there is no guarantee that interference will not occur in a particular installation. If this equipment does cause interference to radio or television reception, which can be determined by turning the equipment off and on, the user is encouraged to try to correct the interference by one or more of the following measures:

- Reorient or relocate the receiving antenna
- Increase the separation between the equipment and receiver
- Connect the equipment into an outlet on a circuit different from that to which the receiver is connected
- Consult the dealer or an experienced radio/TV technician for help

## Canadian standards



This Class A digital apparatus complies with Canadian ICES-003.  
Cet appareil numérique de la classe A est conforme à la norme NMB-003 du Canada.

## European standards

### Declaration of Conformity



This following statement applies to the Celerity FC host adapter.

This device has been tested in the basic operating configuration and found to be compliant with the following European Union standards: Application of Council Directive: 89/336/EEC

Standard(s) to which conformity is declared: EN55024:2002; EN55022:2002 CLASS B.

This Declaration will only be valid when this product is used in conjunction with other CE approved devices and when the entire system is tested to the applicable CE standards and found to be compliant.



Some ATTO Celerity cards comply with Directive 2002/95/EC on the Restriction of the Use of Hazardous Substances in Electrical and Electronic Equipment (RoHS). Contact your ATTO representative regarding RoHS compliant products.



# Appendix E Standards, Compliances: 4Gb adapters

The Technical Specification sheet for each Celerity FC host adapter lists certifications for that model. Models covered by this page include the Celerity FC-44ES, FC-42ES, FC-41ES/EL, FC-42XS and FC-41XS.

## FCC standards: radio and television interference



This equipment has been tested and found to comply with the limits for a Class B digital device, pursuant to Part 15 of the FCC Rules. These limits are designed to provide reasonable protection against harmful interference in a residential installation. This equipment generates, uses, and can radiate radio frequency energy and, if not installed and used in accordance with the instruction manual, may cause interference to radio communications. However, there is no guarantee that interference will not occur in a particular installation. If this equipment does cause interference to radio or television reception, which can be determined by turning the equipment off and on, the user is encouraged to try to correct the interference by one or more of the following measures:

- Reorient or relocate the receiving antenna
- Increase the separation between the equipment and receiver
- Connect the equipment into an outlet on a circuit different from that to which the receiver is connected
- Consult the dealer or an experienced radio/TV technician for help

## Canadian standards



This Class B digital apparatus complies with Canadian ICES-003.  
Cet appareil numérique de la classe B est conforme à la norme NMB-003 du Canada.

## European standards

### Declaration of Conformity



This following statement applies to the Celerity FC host adapter.

This device has been tested in the basic operating configuration and found to be compliant with the following European Union standards: Application of Council Directive: 89/336/EEC  
Standard(s) to which conformity is declared: EN55024:2002; EN55022:2002 CLASS B.

This Declaration will only be valid when this product is used in conjunction with other CE approved devices and when the entire system is tested to the applicable CE standards and found to be compliant.



Some ATTO Celerity cards comply with Directive 2002/95/EC on the Restriction of the Use of Hazardous Substances in Electrical and Electronic Equipment (RoHS). Contact your ATTO representative regarding RoHS compliant products.

*The following apply to the Celerity FC-42XS host adapter only:*



# Appendix F Safety, Warranty

---

*All ATTO host adapter products have been tested to meet applicable safety standards when operated in proper electrical and thermal environments.*

## Safety

---

Please review the specifications for your specific host adapter before installing and operating it in any computer system to ensure compatibility.

## Installation

Before installing an ATTO host adapter product into your computer system, unplug the computer from its electrical power source and allow adequate time for electrical discharge and the internal components to cool down before removing the computer system cover. This will decrease the risk of personal injury from electrical shock or touching the hot surface of an electrical component.

Once an ATTO host adapter is installed in a computer system, the computer cover must be reinstalled properly before turning the computer system back on.

## Operation

ATTO host adapters require adequate cooling to function properly. If you have any questions as to the airflow provided by your computer system, please refer to your computer system manual or contact your computer system manufacturer.

To facilitate proper air circulation, ATTO host adapters should never be operated in a computer system without the cover installed or with an inoperable fan as this may cause safety or thermal problems which could damage the ATTO host adapter and void the warranty.

## ATTO Technology, Inc. limited warranty

---

ATTO Technology, Inc. warrants to the original purchaser of this product that it is free from defects in material and workmanship as described in the ATTO Technology website, [www.attotech.com](http://www.attotech.com), for three years.

ATTO Technology, Inc. liability shall be limited to replacing or repairing, at its option, any defective product. There is no charge for parts or labor should ATTO Technology, Inc. determine that this product is defective.

Products which have been subject to abuse, misuse, alteration, neglected, or have been serviced, repaired or installed by unauthorized personnel shall not be covered under this warranty provision. Damage resulting from incorrect connection or an inappropriate application of this product shall not be the responsibility of ATTO Technology, Inc. Liability is limited to ATTO Technology, Inc. product(s); damage to other equipment connected to ATTO Technology, Inc. product(s) is the customer's responsibility.

This warranty is made in lieu of any other warranty, express or implied. ATTO Technology, Inc. disclaims any implied warranties of merchantability or fitness for a particular purpose.

ATTO Technology, Inc. responsibility to repair or replace a defective product is the sole and exclusive remedy provided to the customer for breach of this warranty. ATTO Technology, Inc. is not liable for any indirect, special, incidental, or consequential damages irrespective of whether ATTO Technology, Inc. has advance notice of the possibility of such damages.

No ATTO Technology, Inc. dealer, agent or employee is authorized to make any modification, extension or addition to this warranty.

## Free Manuals Download Website

<http://myh66.com>

<http://usermanuals.us>

<http://www.somanuals.com>

<http://www.4manuals.cc>

<http://www.manual-lib.com>

<http://www.404manual.com>

<http://www.luxmanual.com>

<http://aubethermostatmanual.com>

Golf course search by state

<http://golfingnear.com>

Email search by domain

<http://emailbydomain.com>

Auto manuals search

<http://auto.somanuals.com>

TV manuals search

<http://tv.somanuals.com>