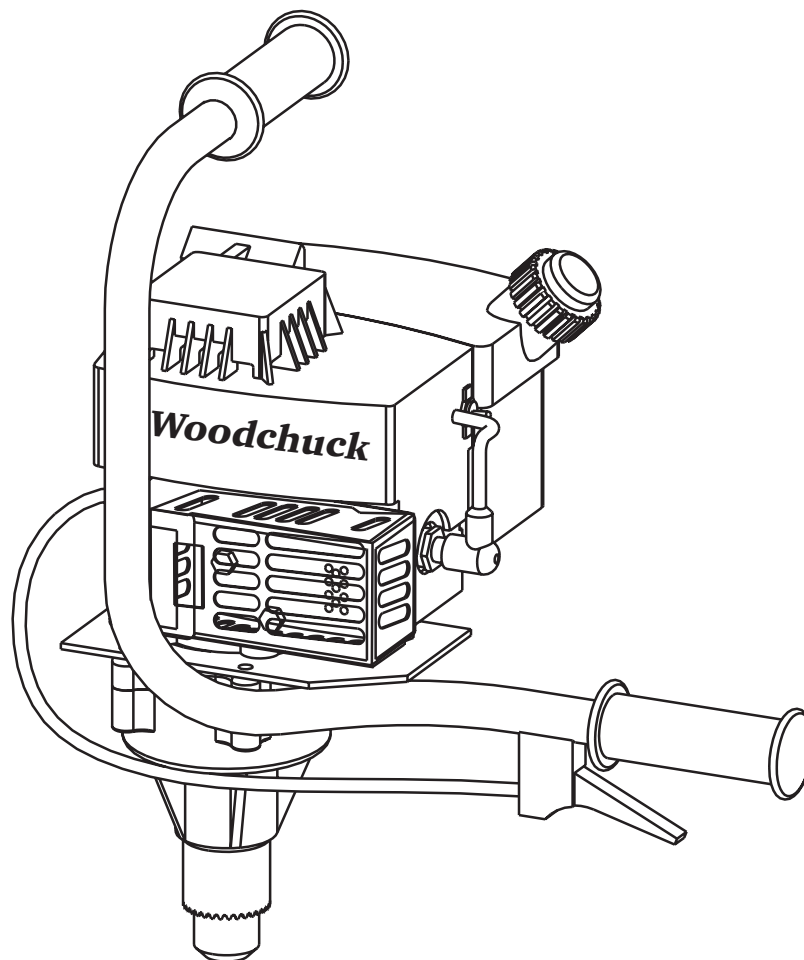


# Earthquake®

## Woodchuck

### Hand Held Portable Power Drill Operator's Manual



**Model 8900WC**

OM8900WC  
Rev. 09/13/04  
© Copyright 2004 Ardisam, Inc.  
All Rights Reserved. Printed in USA.



# INTRODUCTION

## ***Congratulations!***

*You have just purchased the best Hand Held Portable Power Drill money can buy. Please read the following operating and safety instructions. By following these instructions, this unit will give you many years of dependable and carefree service.*

*Woodchuck is a gas powered drill designed to accept the drill of customer's choice for drilling in wood, steel, concrete, etc., permitting the user to drill holes in areas where electric power is not available. All parts and workmanship of the gear case are warranted by the manufacturer. A copy of this warranty is located on the back of this manual. The engine is covered by a separate engine manufacturer's warranty. The manual and warranty for the engine is also enclosed. Please read the **GENERAL OPERATING INSTRUCTIONS** and **SAFETY PRECAUTIONS** noted below before operating this unit.*

## **GENERAL OPERATING INSTRUCTIONS**

1. The gear case has 4 ounces of grease installed at the factory. It is recommended that once a year the gear case be split and the grease level checked. Add grease only if level of grease is below top of the gears. **DO NOT OVERFILL.**
2. Read engine operating manual and follow instructions for fuel type, starting, etc. **BE SURE TO USE PROPER GAS/OIL MIXTURE.**
3. The clutch will transfer maximum power after about two hours of normal operation. During this break-in period clutch slippage may occur. The clutch should be kept free of oil or other moisture for efficient operation. Each unit is tested at the factory, but is not operated for the full break-in period.
4. The chuck **should not rotate** while engine is idling, only when engine is accelerated. If engine does rotate when engine is idling contact the place of purchase for instructions.
5. For cold weather operation, store the unit in a cool environment. Transferring the unit from a warm to a cold place can cause the buildup of harmful condensation.

## **SAFETY PRECAUTIONS**



This symbol points out important safety instructions which if not followed could endanger your personal safety. Read and follow all instructions in this manual and any others provided with this equipment.



Do not carry the powerhead between holes with the engine running.



The engine muffler may become hot from prolonged operation. To avoid burning exposed flesh, do not touch or come into contact with the hot muffler.



The chuck should not rotate when the engine is idling. If it does rotate when engine is idling contact the place of purchase for instructions.



Keep all screws, nuts and bolts tight.



Always keep hands and feet clear of rotating drill bits. Do not wear loose clothing while operating the powerhead.



Close gas tank cap air vent when engine is stopped.



Do not allow children to operate this powerhead. Make sure all first time users have been properly instructed.



Do not tilt gas tank indoors or when engine is running or is hot.

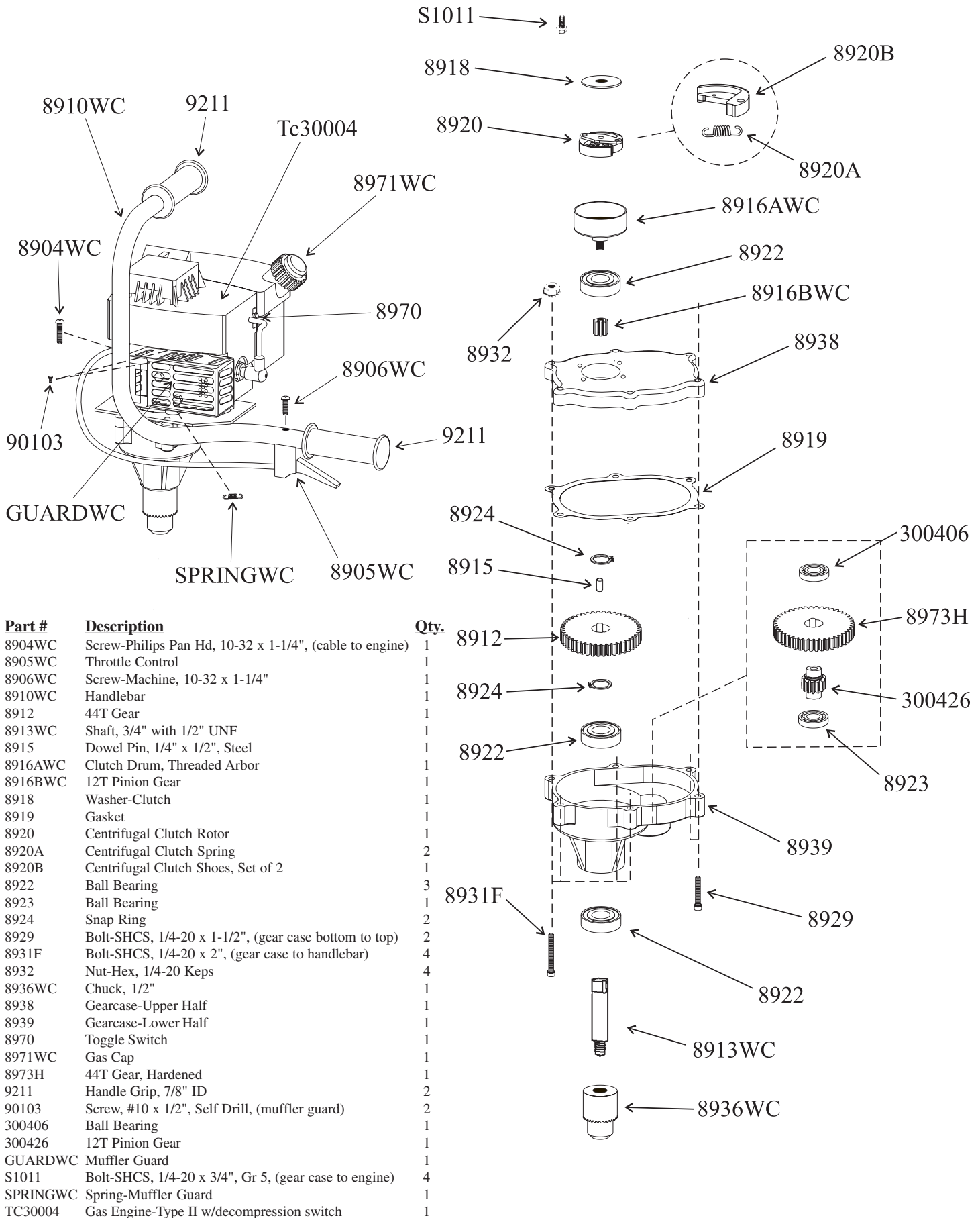


Engine should be shut off before any repairs are attempted.

## **CALIFORNIA PROPOSITION 65 WARNING**

**Engine exhaust from this product contains chemicals known to the State of California to cause cancer, birth defects, or other reproductive harm.**

# WOODCHUCK 8900WC PARTS LIST



Part #	Description	Qty.
8904WC	Screw-Phillips Pan Hd, 10-32 x 1-1/4", (cable to engine)	1
8905WC	Throttle Control	1
8906WC	Screw-Machine, 10-32 x 1-1/4"	1
8910WC	Handlebar	1
8912	44T Gear	1
8913WC	Shaft, 3/4" with 1/2" UNF	1
8915	Dowel Pin, 1/4" x 1/2", Steel	1
8916AWC	Clutch Drum, Threaded Arbor	1
8916BWC	12T Pinion Gear	1
8918	Washer-Clutch	1
8919	Gasket	1
8920	Centrifugal Clutch Rotor	1
8920A	Centrifugal Clutch Spring	2
8920B	Centrifugal Clutch Shoes, Set of 2	1
8922	Ball Bearing	3
8923	Ball Bearing	1
8924	Snap Ring	2
8929	Bolt-SHCS, 1/4-20 x 1-1/2", (gear case bottom to top)	2
8931F	Bolt-SHCS, 1/4-20 x 2", (gear case to handlebar)	4
8932	Nut-Hex, 1/4-20 Keps	4
8936WC	Chuck, 1/2"	1
8938	Gearcase-Upper Half	1
8939	Gearcase-Lower Half	1
8970	Toggle Switch	1
8971WC	Gas Cap	1
8973H	44T Gear, Hardened	1
9211	Handle Grip, 7/8" ID	2
90103	Screw, #10 x 1/2", Self Drill, (muffler guard)	2
300406	Ball Bearing	1
300426	12T Pinion Gear	1
GUARDWC	Muffler Guard	1
S1011	Bolt-SHCS, 1/4-20 x 3/4", Gr 5, (gear case to engine)	4
SPRINGWC	Spring-Muffler Guard	1
TC30004	Gas Engine-Type II w/decompression switch	1



# WARRANTY

## One Year Limited Warranty

The Ardisam, Inc., Manufacturing Company warrants this Woodchuck Hand Held Portable Power Drill to be free from defects in material or workmanship. Conditions of this warranty include:

What is covered under warranty:

Ardisam, Inc. will repair or replace any part defective in workmanship or material within one year after delivery of the power drill to the original purchaser.

What is not covered under warranty:

This warranty applies only to products which have not been repaired or altered outside our factory. It covers only defects resulting from normal use, and does not cover defects arising from misuse, alteration, negligence, commercial use, or accident. This warranty applies only to the original purchaser, and is not transferrable.

How to obtain service:

Return the product to us at the address below with transportation charges prepaid.

*This warranty supersedes all other warranties either expressed or implied and all other obligations or liabilities on our part. Ardisam, Inc., does not assume, and does not authorize any other person to assume for us, any liability in connection with the sale of our products. This guarantee is void unless warranty card is properly filled out and returned to Ardisam, Inc., Cumberland, Wisconsin, at time of purchase.*

# Earthquake®

**Ardisam, Inc.**

**1690 Elm Street, Cumberland, Wisconsin 54829**

**Phone (715)822-2415 • Fax (715)822-4180**

**1-800-345-6007**

**Email [info@ardisam.com](mailto:info@ardisam.com)**

**[www.ardisam.com](http://www.ardisam.com)**

## Free Manuals Download Website

<http://myh66.com>

<http://usermanuals.us>

<http://www.somanuals.com>

<http://www.4manuals.cc>

<http://www.manual-lib.com>

<http://www.404manual.com>

<http://www.luxmanual.com>

<http://aubethermostatmanual.com>

Golf course search by state

<http://golfingnear.com>

Email search by domain

<http://emailbydomain.com>

Auto manuals search

<http://auto.somanuals.com>

TV manuals search

<http://tv.somanuals.com>