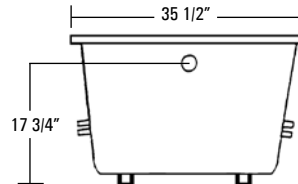
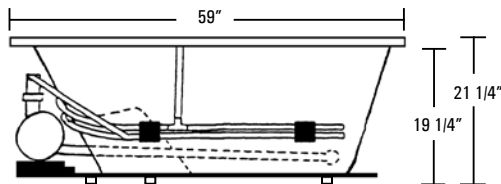
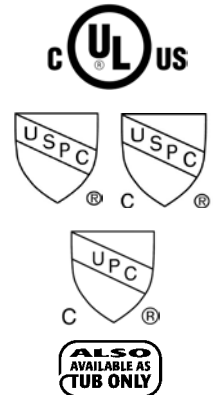
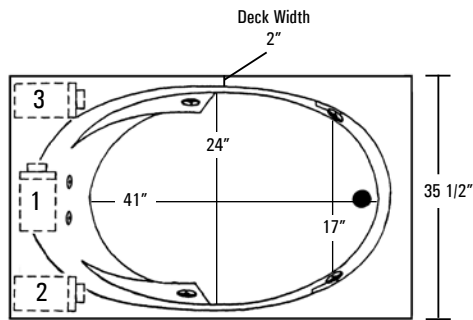


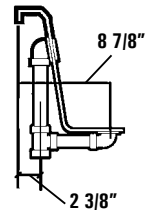
SYMPHONY 1

AQUATIC

SYMPHONY SERIES MODEL # AI6036SY / AI6036SYTO (Tub Only)



Rough-In Plumbing Measurements



SPECIFICATIONS:

GENERAL SPECIFICATIONS:

Tub Size	59" x 35 1/2" x 21 1/4"
	150 cm x 90 cm x 54 cm
Bathing Well	41" long
	24" wide
	18 3/4" interior depth
Maximum Water Depth	15"
Shipping Weight	152 lbs. / 69 kg
Tub Weight Filled	631 lbs. / 286 kg
Tub Only Weight	106 lbs. / 48 kg
Gallons to Overflow	63 gal. / 2389 L
Gallons to Operate	58 gal. / 220 L

ELECTRICAL SPECIFICATIONS:

Pump	.80 HP; 5.5 AMP; 110V
Requirement	15 AMP; 110V, separate circuit required protected w/ Class A GFCI

STANDARD EQUIPMENT:

- 6 Hydrotherapy Jets including:**
- 2 Spinning Back Jets
 - 4 Directional Jets
- Aquatic Quality Features:**
- .80 HP Run-Dry Pump
 - Bath-Side On/Off Air Button
 - "Quiet Pad" Anti-Vibration Pump Mount for Quiet Pump Operation
 - Heat-bent Rigid PVC Piping for Optimum Sanitary Conditions
 - 2 Arm Rests
 - Color Matched Trim and Jets (Select Colors)
 - Slip Resistant Floor
 - Durable, Easy to Clean, Lucite® Cast Acrylic Surface
 - Available in 8 Standard No-Charge Colors
- UL & IAPMO Listed, Factory Tested**
Limited 10 Year Warranty

OPTIONAL EQUIPMENT:

- Comfort Pillow--Oval or Rectangle
- Bolt-On Grab Bars
 - White, Biscuit, Chrome, Polished Brass, Gold, Polished Nickel, Satin Nickel or Oil Rubbed Bronze
- Lift & Turn Waste and Overflow
 - Chrome, Polished Brass, Gold, Polished Nickel, Satin Nickel or Oil Rubbed Bronze
- Cable Drive Waste and Overflow
 - Chrome, Polished Brass, Gold, Polished Nickel, Satin Nickel, Oil Rubbed Bronze or Color Matched (Bone, White and Biscuit Only)
- Factory Installed Rigid ABS Tile Flange
- Optional Pump Location
- Color Matched Acrylic Skirt

All acrylic colors featured by Aquatic match the industry's leading fixture manufacturers.

**Fax-On-Demand
Document # 1269**



Free Manuals Download Website

<http://myh66.com>

<http://usermanuals.us>

<http://www.somanuals.com>

<http://www.4manuals.cc>

<http://www.manual-lib.com>

<http://www.404manual.com>

<http://www.luxmanual.com>

<http://aubethermostatmanual.com>

Golf course search by state

<http://golfingnear.com>

Email search by domain

<http://emailbydomain.com>

Auto manuals search

<http://auto.somanuals.com>

TV manuals search

<http://tv.somanuals.com>