

# AirPort Card Replacement Instructions

Be sure to follow these instructions carefully. Failure to follow these instructions could result in damage to your equipment and may void your warranty.

Replacing the AirPort Card in your computer requires five basic steps:

- Turn off the computer.
- Remove the computer core from the enclosure.
- Remove the installed AirPort Card, if applicable.
- Install the replacement AirPort Card.
- Replace the computer core in the enclosure.

**Note:** Written and video instructions covering customer-installable parts are available at:

<http://www.info.apple.com/installparts/>.

## Tools Required

No tools are required for this procedure.

## Electrostatic Discharge (ESD)

Static electricity, a normal and natural phenomenon, builds up on your body as you walk around. You experience an electrostatic discharge (ESD) when you touch an object and feel a spark. ESD can cause damage to the internal components of your computer. To avoid ESD damage, read and follow all instructions.

---

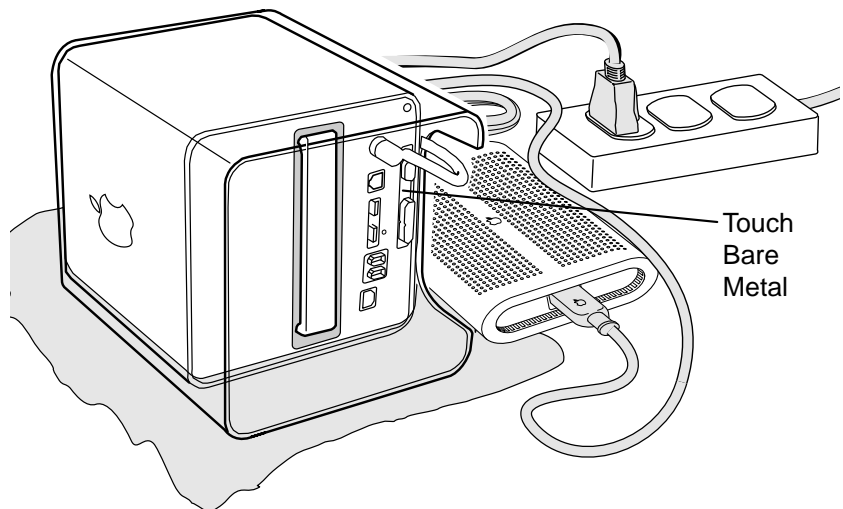
## Removing the Computer Core From the Enclosure

**Warning:** Always turn off your computer before opening it to avoid damaging its internal components.

- 1 Place your computer on a clean, flat surface.
- 2 Shut down your computer by opening the Special menu and choosing Shut Down. Then wait five minutes for the computer's internal components to cool down.
- 3 Unplug all cables from the computer except the power cord.

**Note:** If you have never plugged in your computer, connect the computer's power cord and plug it in.

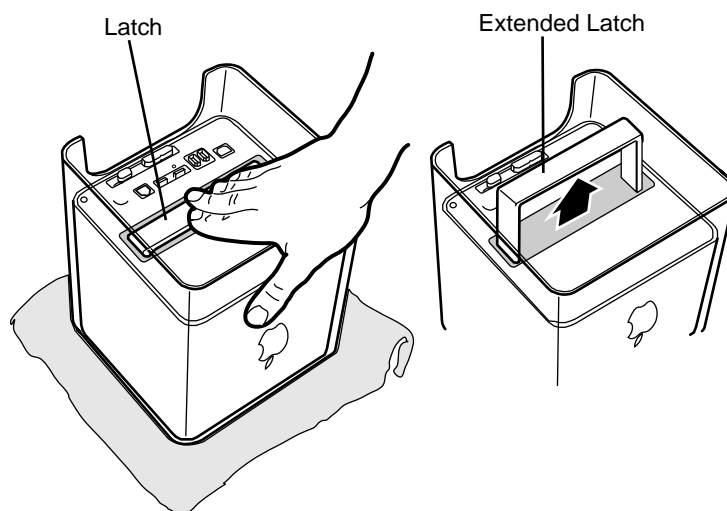
- 4 Turn the computer on its side on a soft, clean cloth, and ground yourself by touching the bare metal between the video ports.



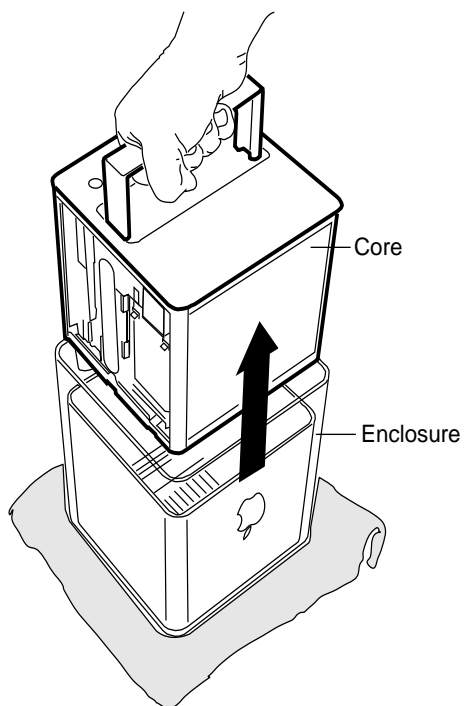
**Important:** To avoid electrostatic discharge, always ground yourself by touching the bare metal before you touch any parts or install any components inside the computer. To avoid static electricity building back up in your body, do not walk around the room until you have completed the installation and closed the computer.

- 5 Unplug the power cord.

- 6 Turn the computer upside down, and push down on the latch to release it. Allow the latch to extend completely.



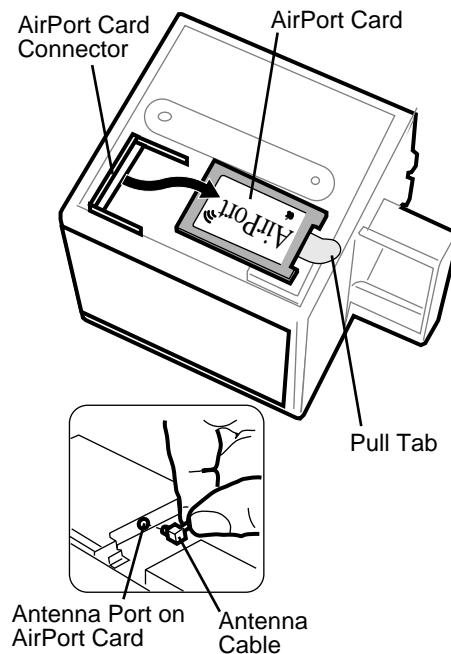
- 7 Gently pull the core from the computer enclosure and place the core on a soft cloth.



---

## Removing an AirPort Card

- 1 Disconnect the coaxial antenna cable from the port on the end of the AirPort Card.
- 2 Pull the plastic tab on the end of the AirPort Card to release the AirPort Card from the PCI card connector.



## Installing an AirPort Card

- 1 Insert the AirPort Card through the opening in the PCI card guide and into the connector on the logic board.
- 2 Carefully attach the coaxial antenna cable to the port on the end of the AirPort Card.

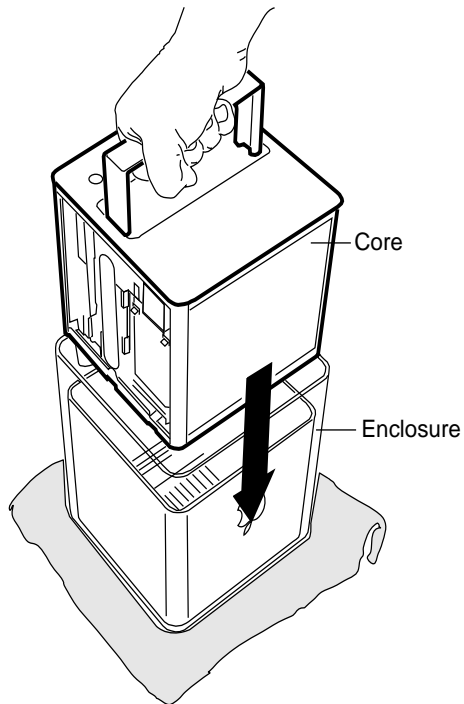
**Note:** The antenna cable might be stowed on the side of the PCI card guide. Do not bend or crimp the cable tightly.

---

## Replacing the Computer Core in the Enclosure

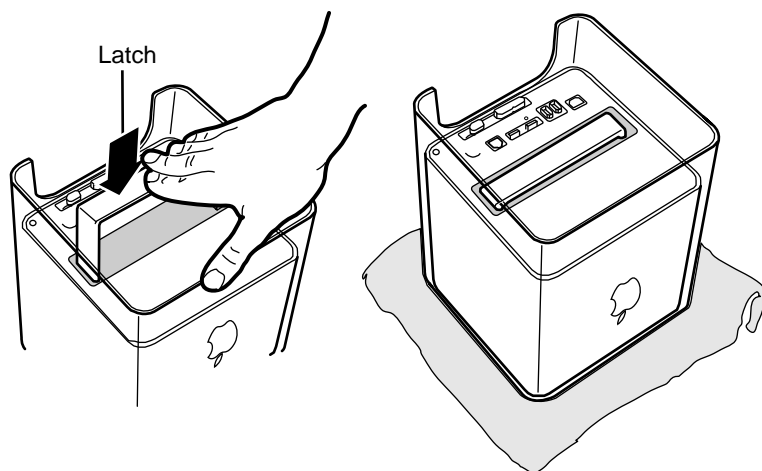
- 1 Holding the core by the latch, insert the core into the enclosure.

**Note:** The core fits into the enclosure only one way. Position the core so the ports are toward the back of the enclosure.



- 2 With a flat hand, press down on the latch until it locks into place. Firmly press the core to ensure it is fully secured within the enclosure.

**Important:** Do not lift or carry your computer by the core latch. The enclosure could fall off the core and be damaged.



- 
- 3 Turn your computer upright and reconnect all cables.
  - 4 Restart your computer.

**Warning: Never turn on your computer unless all of its internal and external parts are in place and it is closed. Operating the computer when it is open or missing parts can damage your computer or cause injury.**

**🍏 Apple Computer, Inc.**

© 2001 Apple Computer, Inc. All rights reserved.

Under the copyright laws, this document may not be copied, in whole or in part, without the written consent of Apple.

The Apple logo is a trademark of Apple Computer, Inc., registered in the U.S. and other countries. Use of the “keyboard” Apple logo (Option-Shift-K) for commercial purposes without the prior written consent of Apple may constitute trademark infringement and unfair competition in violation of federal and state laws.

Every effort has been made to ensure that the information in this document is accurate. Apple is not responsible for printing or clerical errors.

Apple Computer, Inc.  
1 Infinite Loop  
Cupertino, CA 95014-2084  
408-996-1010  
<http://www.apple.com>

Apple, the Apple logo, Mac, Macintosh, and the Mac logo are trademarks of Apple Computer, Inc., registered in the U.S. and other countries.

AirPort and Power Mac are trademarks of Apple Computer, Inc.

## Free Manuals Download Website

<http://myh66.com>

<http://usermanuals.us>

<http://www.somanuals.com>

<http://www.4manuals.cc>

<http://www.manual-lib.com>

<http://www.404manual.com>

<http://www.luxmanual.com>

<http://aubethermostatmanual.com>

Golf course search by state

<http://golfingnear.com>

Email search by domain

<http://emailbydomain.com>

Auto manuals search

<http://auto.somanuals.com>

TV manuals search

<http://tv.somanuals.com>