

Monitor Stand Replacement Instructions

Be sure to follow the instructions in this sheet carefully. Failure to follow these instructions could result in damage to your equipment and may void your warranty.

Replacing your monitor stand requires five basic steps:

- Turn off the computer and disconnect the display cable.
- Place the monitor upside down on a thick cloth.
- Remove the monitor stand.
- Install the replacement monitor stand.
- Place the monitor upright, connect the display cable, and restart the computer.

Note: Written and video instructions covering customer-installable parts are available at

<http://www.info.apple.com/installparts/>.

Tools Required

Two jeweler's flat-blade screwdrivers are required for this procedure.

Note: If you do not have jeweler's screwdrivers, two long carpenter's nails can be used. However, the head of the nail must be at least 6 mm wide to prevent the nail from sliding into the enclosure.

Warning: If any tools or parts drop into the monitor, do not turn on the monitor. Contact Apple for further assistance. Never turn on your monitor unless all of its internal and external parts are in place and it is closed. Operating the monitor when it is open or missing parts can damage your monitor or cause injury.

Removing the Monitor Stand

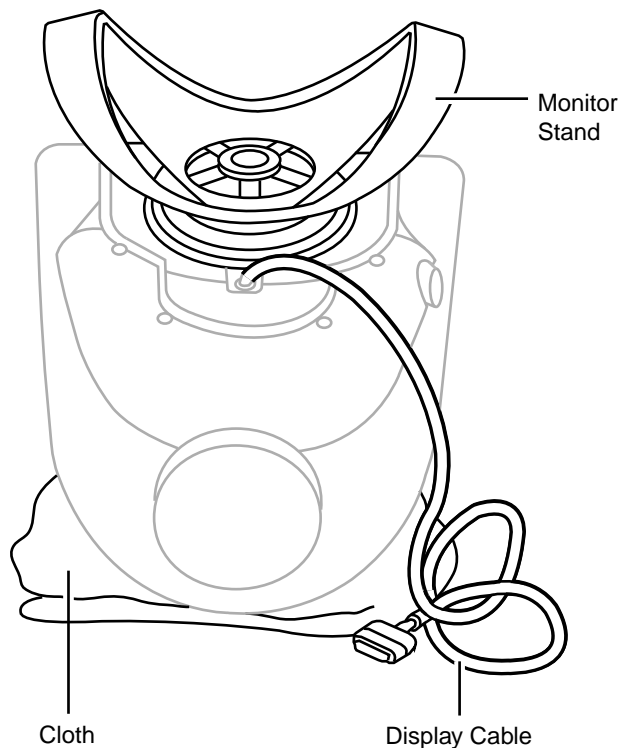
1. **Warning: Turn off your computer and disconnect the display cable as follows:**

- Unplug the display cable from the computer.
- Wait five minutes for the computer's internal components to cool down.

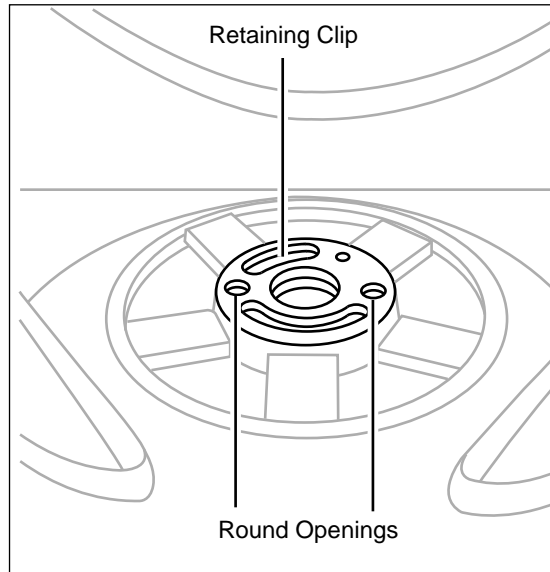
2. **▲WARNING:** The monitor weighs 20 kg (45 pounds). Be careful when repositioning the monitor.

Use a thick, soft, clean cloth (such as a folded blanket or towel) as a cushion. Place the monitor upside down on the cloth so the screen is away from you and the monitor stand is in front of you.

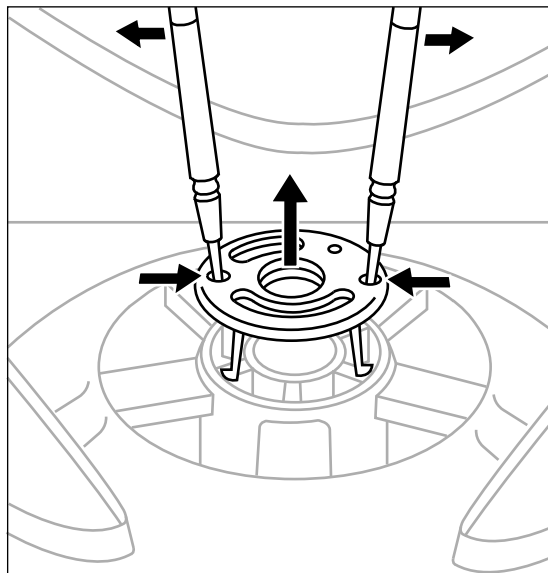
3. Slide the monitor stand toward the display cable.



4. In the center of the monitor stand, locate the two identical round openings in the retaining clip.

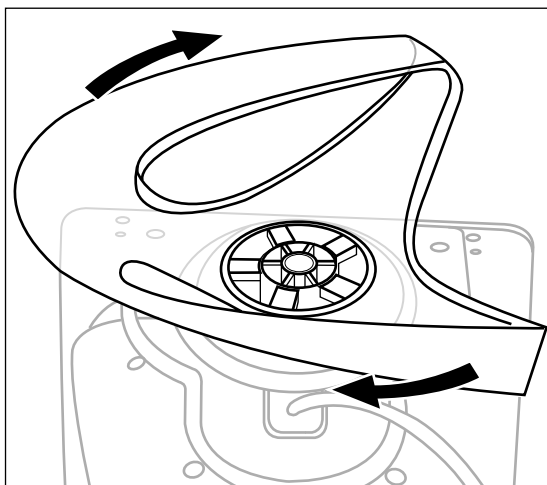


5. Using two jeweler's flat-blade screwdrivers, place one in each of the round openings and gently pry up the retaining clip until it is out of the monitor stand.

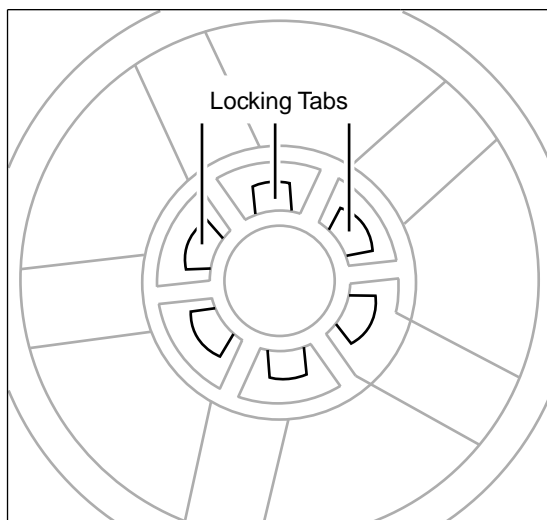


Warning: If any tools or parts drop into the monitor, do not turn on the monitor. Contact Apple for further assistance. Never turn on your monitor unless all of its internal and external parts are in place and it is closed. Operating the monitor when it is open or missing parts can damage your monitor or cause injury.

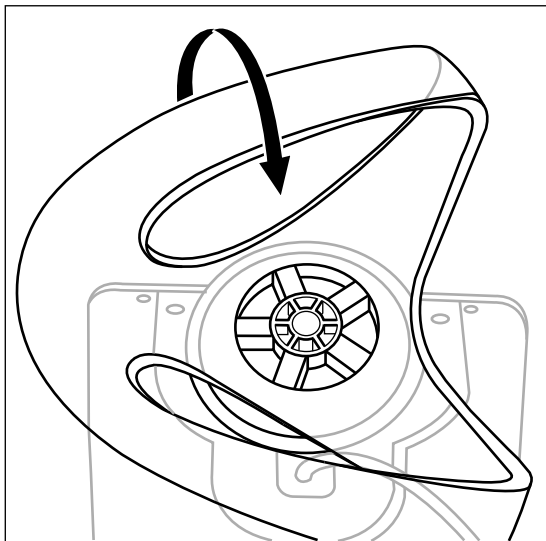
6. Rotate the stand clockwise (1/4 turn) so it is positioned as shown.



7. Peer into the center of the monitor stand and swivel it somewhat until you can see the locking tabs line up with the slots in the base.



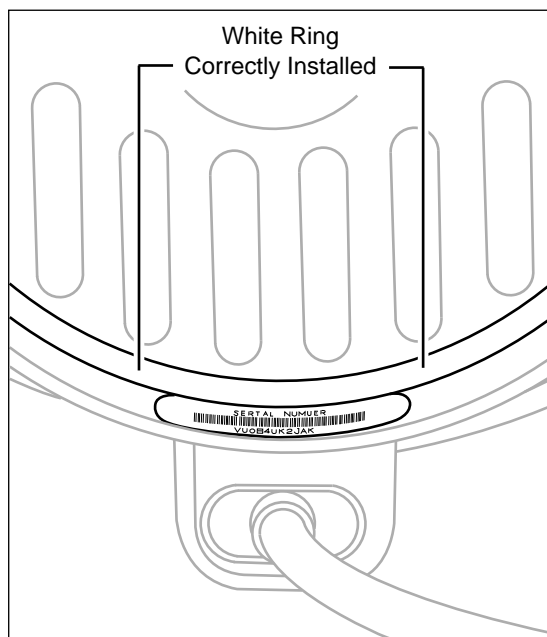
8. With the tabs aligned, gently pull the stand toward you. Then tilt the stand up off the base.



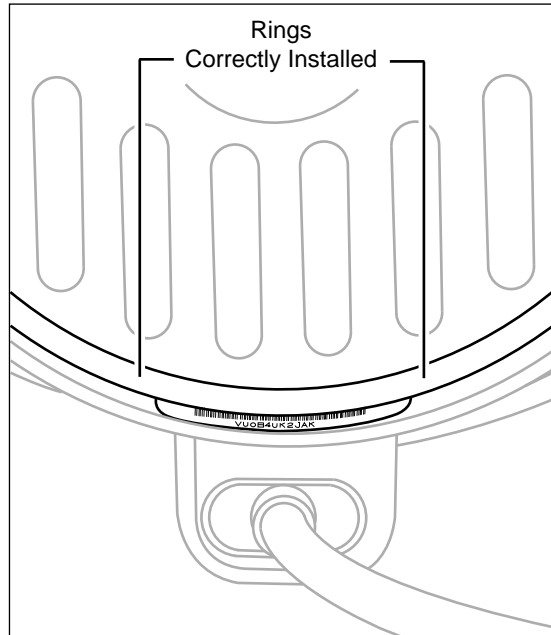
Positioning the Plastic Rings

After you remove the monitor stand, two plastic rings should remain on the base. These rings are fitted in a special orientation so the replacement stand will fit properly. However, if the rings are dislodged, replace them as follows:

1. Place the white plastic ring on the base so that you can still read the words "Serial Number" when the ring is slid all the way down. Turn the ring over if the words are not visible

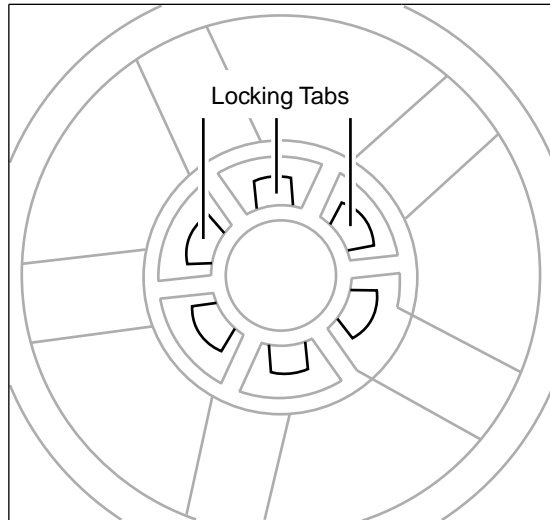


2. Place the clear plastic ring over the white ring so that the white ring fits inside the clear ring.
3. Check that the rings are properly aligned. They should easily slide in unison, and when they are close to the serial number label, you should be able to see the serial number bar code but not be able to clearly see the words "Serial Number."

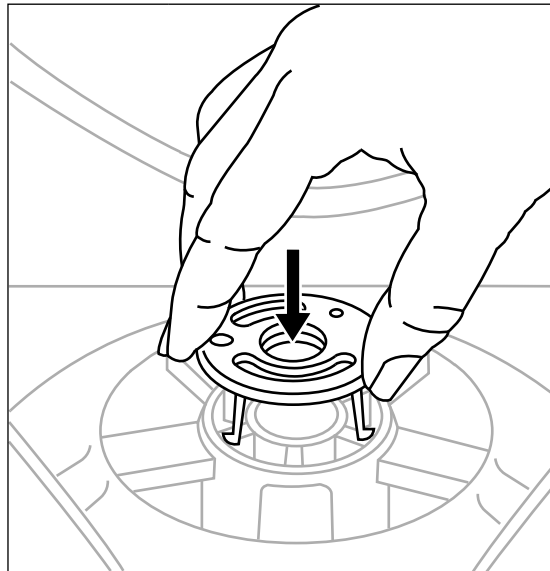


Installing the Replacement Monitor Stand

1. Holding the new monitor stand, align the slots in the center of the stand with the tabs on the base of the monitor.



2. Slide the stand up to engage the locking tabs.
3. Turn the stand counterclockwise.
4. Align the retaining clip and press it down until it clicks into place. The retaining clip is keyed and only fits one way.



5. Check that the stand slides easily.
6. Turn your monitor upright and reconnect it to the computer.

7. Restart your computer.

Warning: Never turn on your monitor unless all of its internal and external parts are in place and it is closed. Operating the monitor when it is open or missing parts can damage your monitor or cause injury.

🍏 Apple Computer, Inc.

© 2001 Apple Computer, Inc. All rights reserved.

Under the copyright laws, this document may not be copied, in whole or in part, without the written consent of Apple.

The Apple logo is a trademark of Apple Computer, Inc., registered in the U.S. and other countries. Use of the “keyboard” Apple logo (Option-Shift-K) for commercial purposes without the prior written consent of Apple may constitute trademark infringement and unfair competition in violation of federal and state laws.

Every effort has been made to ensure that the information in this document is accurate. Apple is not responsible for printing or clerical errors.

Apple Computer, Inc.
1 Infinite Loop
Cupertino, CA 95014-2084
408-996-1010
<http://www.apple.com>

Apple and the Apple logo are trademarks of Apple Computer, Inc., registered in the U.S. and other countries.

Free Manuals Download Website

<http://myh66.com>

<http://usermanuals.us>

<http://www.somanuals.com>

<http://www.4manuals.cc>

<http://www.manual-lib.com>

<http://www.404manual.com>

<http://www.luxmanual.com>

<http://aubethermostatmanual.com>

Golf course search by state

<http://golfingnear.com>

Email search by domain

<http://emailbydomain.com>

Auto manuals search

<http://auto.somanuals.com>

TV manuals search

<http://tv.somanuals.com>