
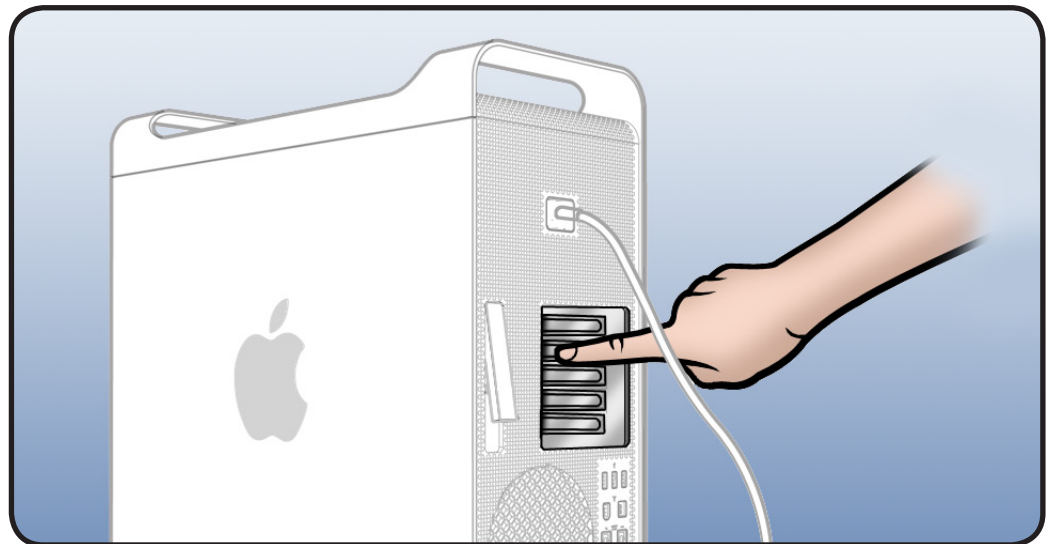


Solid-State Drive Replacement Instructions


First Steps

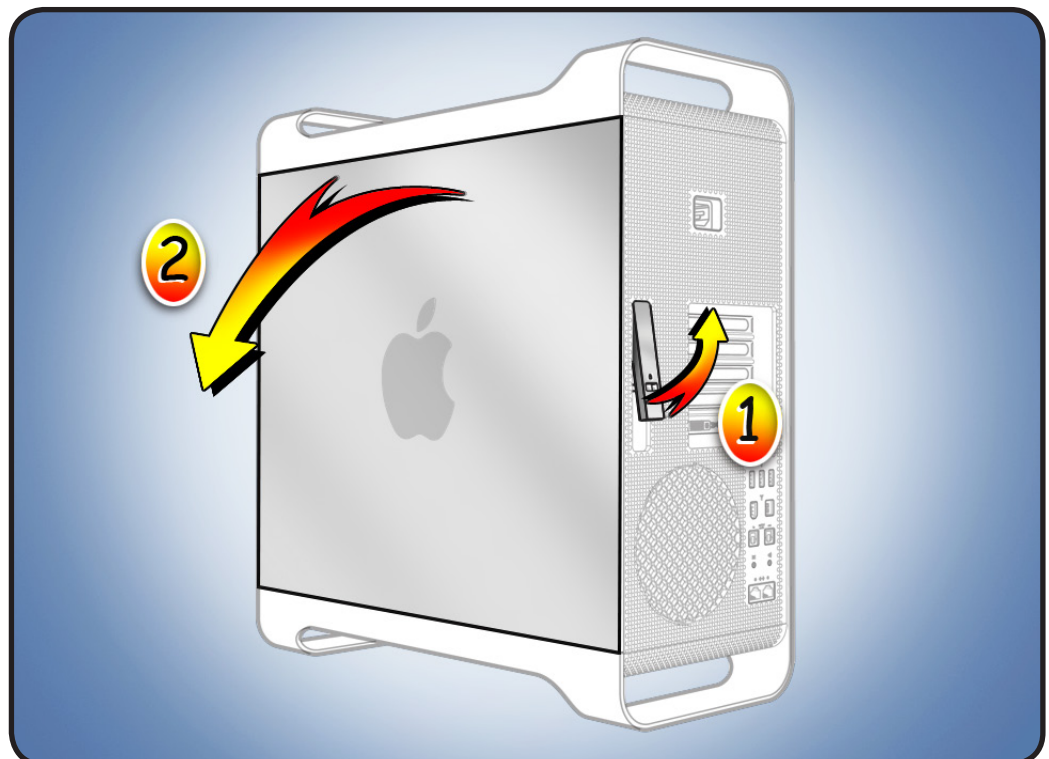
Note: Follow these instructions carefully. Failure to do so could damage your equipment and void its warranty.

- 1 Shut down computer.
- 2 Wait 10 minutes.
 **Warning:** Parts inside computer can be very hot. Allow computer to cool down before continuing.
- 3 Unplug all external cables except power cord.
- 4 Touch metal PCI cover on back of computer.
- 5 Unplug power cord.



Opening the Computer

- 1 Hold side access panel and lift latch on back of computer.
 **Warning:** Edges of access panel and enclosure can be sharp. Be careful when handling.
- 2 Remove access panel and place it on flat surface covered by soft, clean cloth.



Required Tool

Phillips #1 screwdriver

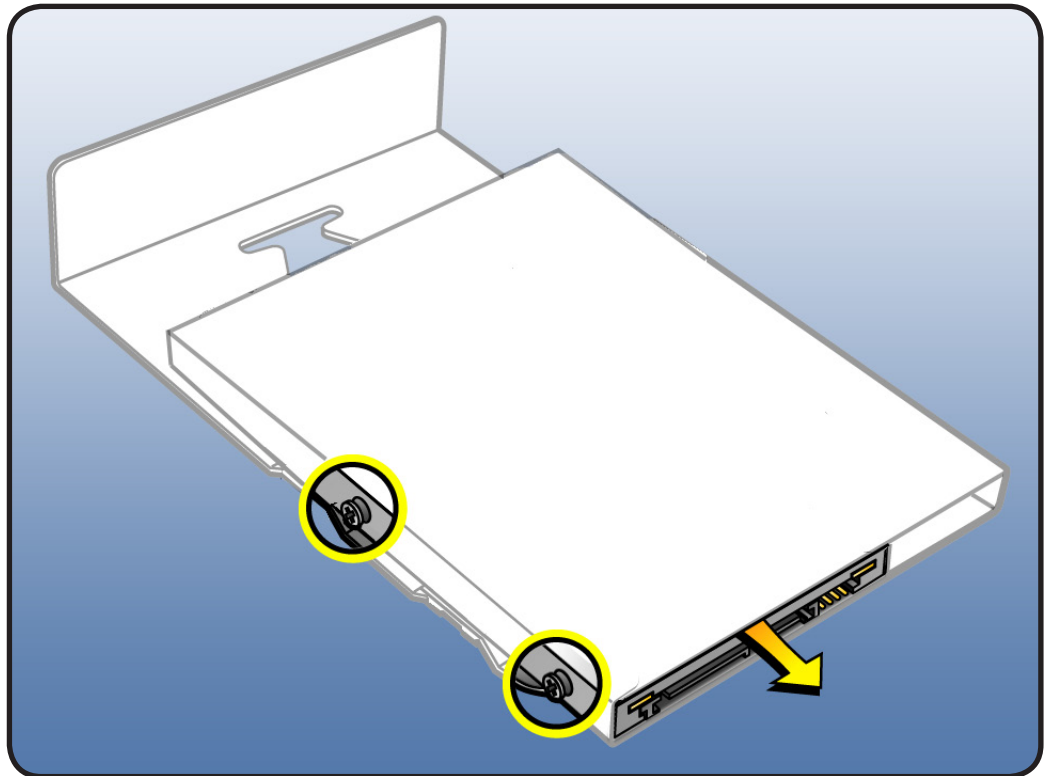


Removing the Installed Drive

- 1 Make sure latch on back panel is up, so that drives and carriers are unlocked.
- 2 Pull drive carrier (with drive) out of drive bay.

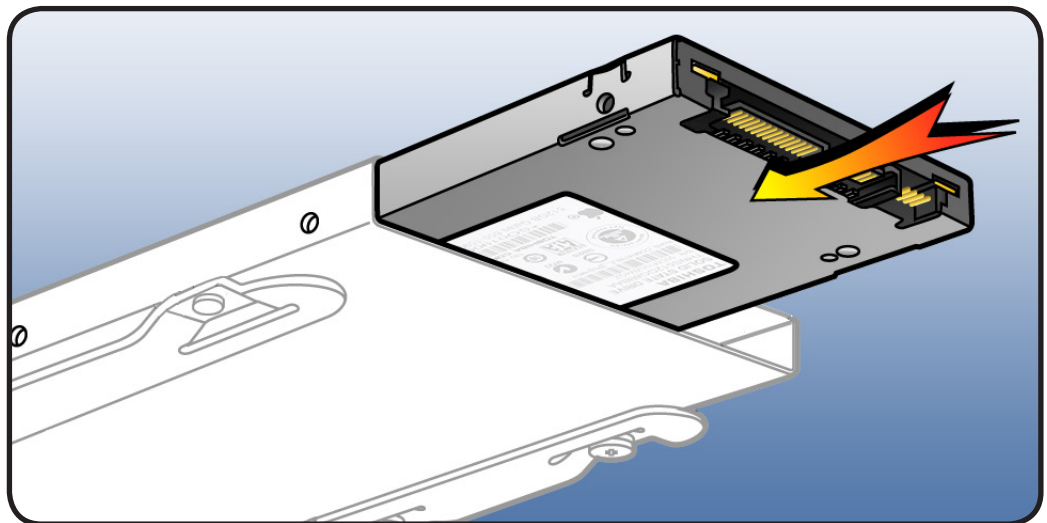


- 3 Remove 2 screws on side of carrier adapter.
- 4 Slide solid-state drive out of adapter.



Installing the Replacement Drive

- 1 Slide replacement drive into adapter as shown, label side down and connector facing out.
- 2 Replace mounting screws.
- 3 Slide carrier over guides and into drive bay until drive snaps into place.



Closing the Computer

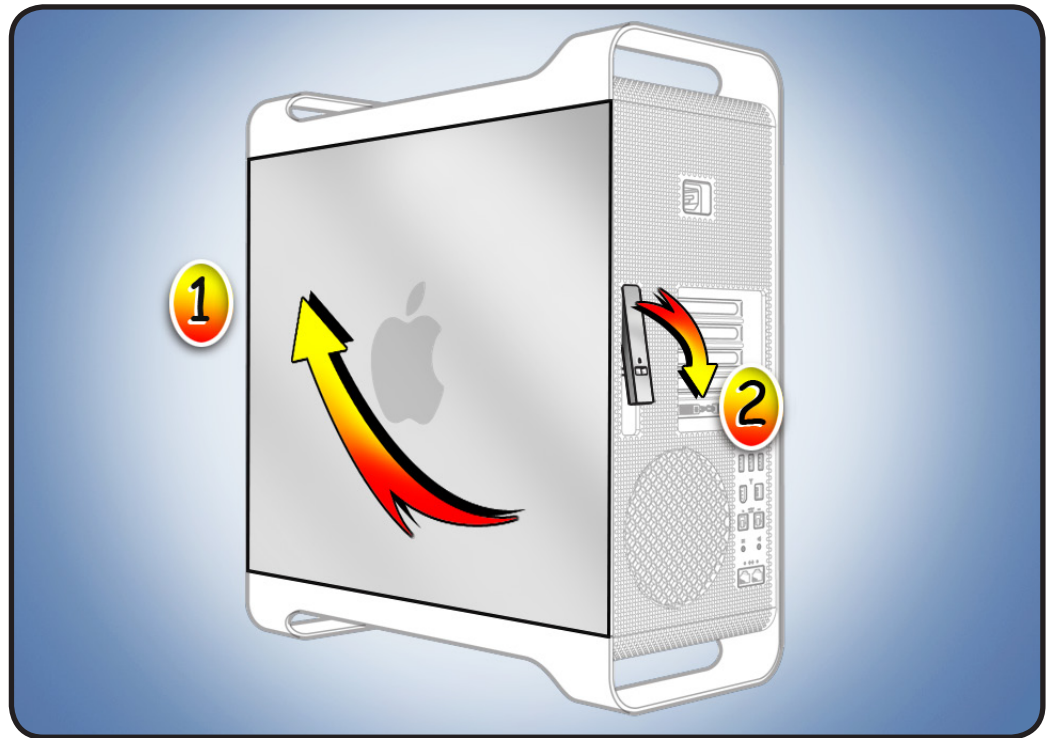
- 1 Replace access panel.

Note: Make sure latch is up before you replace panel. If latch is down, panel will not seat correctly.

- 2 Push latch down to close and secure access panel.



Warning: Never turn on computer unless all its internal/external parts are in and it is closed. Operating unit when open or missing parts can cause damage or injury.



Formatting a New Drive

After installing a new (replacement) drive, format it using these steps:

1. Open Disk Utility and select the drive in list to the left.
Note: If you are formatting the primary drive, use Disk Utility program on Install Disk.
2. Click on Partition tab.
3. Click on "Options" and verify GUID is selected if this is a bootable drive.
4. Apply change by clicking on "Partition" button.

Reinstalling Software that Came with the Computer

Use the software install discs that came with the computer to reinstall Mac OS X and any applications that came with the computer.

Important: Apple recommends backing up data on the hard disk before restoring software. Back up essential files before installing Mac OS X and other applications. Apple is not responsible for any lost data.

For more details, refer to <http://support.apple.com/kb/HT3910>.

This procedure has four parts:

- Erasing the hard drive/formatting the hard drive
- Installing the Mac OS X operating system using the Mac OS X Install DVD.
- Completing the Mac OS X Setup Assistant.
- Restoring the bundled applications using the Applications Install Disc.

Important: This procedure will completely erase your hard drive. If you have installed Microsoft Windows using Boot Camp, or have multiple partitions, this procedure will erase the partition you select.

Part One: Erasing the hard drive/formatting the hard drive

1. Turn on the computer.
2. Insert the Mac OS X Install DVD into the optical drive.
3. Press and hold the "C" key while the computer starts up. The computer will start up using the Mac OS X Install DVD.
4. If you are using a wireless mouse, a mouse icon should appear asking you to turn the mouse on so that the computer can discover it.
5. Select a language, then press the right arrow key.
6. Click the Utilities menu, then choose Disk Utility.
7. Select a volume to erase (usually called Macintosh HD).
8. Click the Erase tab.
9. Click Erase... **Important:** This step will completely erase your hard drive. If you have installed Microsoft Windows using Boot Camp, or have multiple partitions, this procedure will erase the partition you select.
10. A dialog box appears asking if you want to erase the partition: click Erase.
11. After the partition is erased, choose Quit Disk Utility from the Disk Utility menu.

Part Two: Installing the operating system

1. When the Mac OS X Installer screen appears, click Continue.
2. When the license agreement appears, click Agree.

-
3. Select the disk you erased. It should now be highlighted with a green arrow.
 4. Click Install. A status bar appears on the bottom of the screen while Mac OS X installs.
 5. An Additional Information screen appears, advising you that your operating system has been installed. Click Continue.
 6. An Install Succeeded screen appears. Click Restart.

Part Three: Completing the Mac OS X Setup Assistant

1. When the restart has completed, a welcome video plays, then country/region selection screen appears.
2. Select your country or region and click Continue.
3. Select a keyboard layout and click Continue.
 - A migration screen appears. If you wish to migrate your data from another Macintosh, see Migration tips and tricks <http://support.apple.com/kb/HT1291>. If you do not wish to migrate, or want to migrate later, select "Do not transfer my information now" and click Continue.
4. A Wireless Service screen appears if you have wireless services available within range of your computer. Select "On" and click Continue.
5. If the network is password protected, you be asked for a password when you select it. Type the password and click Continue.
6. An Apple ID screen appears. This is used to purchase content from the iTunes store. You can use MobileMe or .Mac usernames here as well. When complete, click Continue.
7. If you do not have an Apple ID or MobileMe account, click Continue to move to the next screen.
8. A Registration Information screen appears. You are not required to fill this out, but it is helpful if you do. When complete, click Continue and your product registration will be sent immediately.
9. If Mac OS X servers are available on your network, you'll be asked if you'd like to log on to them. If not, click Continue.
10. A Create Your Account screen appears. This will be used to create a User Account with Login ID and Password for your computer. You should remember this password. You'll be asked for it when you install new software or perform other administrative tasks on your computer. When complete, click Continue and your account will be created immediately.
11. A screen to select your user picture appears. Take a snapshot with the built-in camera or select a picture from your Library. When complete, click Continue.
12. A MobileMe screen appears. Select an option and click Continue.
13. A Thank You screen appears. Click Go to complete the Mac OS X Setup Assistant.
14. Eject the Mac OS X Install DVD by dragging its icon to the Trash.

Part Four: Restoring the bundled applications

1. To install the bundled applications, locate the Applications Install Disc that came with your computer.
Note: You may see a Software Update icon bouncing up and down in your dock. You can quit this for now.
2. Insert the Applications Install Disc into the optical drive.
3. The disc will mount and an Applications Install Disk dialog appears. Double-click on Install Bundled Software to install your iLife applications.
4. A dialog appears asking if you want to run the package. Click Continue.
5. The Bundled Software Applications Installer screen appears. Click Continue.
6. A software license screen appears. Click Continue, then click Agree to accept the terms.
7. A select destination dialog appears. Make sure the partition with the green arrow is the correct destination, then click Continue.
8. To install all the bundled applications, click Install.
9. To select individual applications, click Customize. Click the disclosure triangle next to Bundled Applications to select individual applications, then click Install. Clicking Standard Install on the Customize screen installs all the applications.
10. Type the password you created in Part Three, step 11 to start the installation.
11. A restart dialog appears. Click Continue Installation.
12. An Install was Successful screen appears. Click Restart.

The restore process is now complete.

It is a good idea to make sure you've updated all the software after performing this procedure. From the Apple () menu, choose Software Update to find the updates currently available for your computer.

 Apple Inc.

© 2010 Apple Inc. All rights reserved.

This document is protected under U.S. Copyright Law and International Treaties, and no part of this document may be reproduced in any form without written permission from Apple. Apple is not responsible for typographical, printing, or inadvertent errors.

Apple Inc.
1 Infinite Loop
Cupertino, CA 95014-2084 USA
+ 1 408 996 1010
www.apple.com

Apple, the Apple logo, and Mac are trademarks of Apple Inc., registered in the U.S. and other countries.

Free Manuals Download Website

<http://myh66.com>

<http://usermanuals.us>

<http://www.somanuals.com>

<http://www.4manuals.cc>

<http://www.manual-lib.com>

<http://www.404manual.com>

<http://www.luxmanual.com>

<http://aubethermostatmanual.com>

Golf course search by state

<http://golfingnear.com>

Email search by domain

<http://emailbydomain.com>

Auto manuals search

<http://auto.somanuals.com>

TV manuals search

<http://tv.somanuals.com>