

# Panasonic®

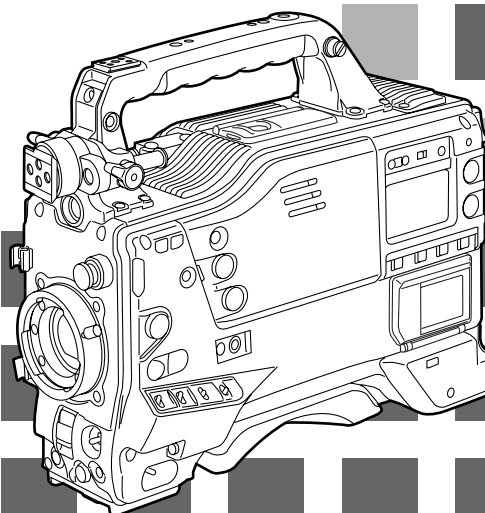
## Operating Instructions

Camera/VTR

Model No. AJ- **HDX400** E

**DVCPRO HD**

**EX**



Before operating this product, please read the instructions carefully and save this manual for future use.

**CAUTION:**

**TO REDUCE THE RISK OF FIRE OR SHOCK HAZARD AND ANNOYING INTERFERENCE, USE THE RECOMMENDED ACCESSORIES ONLY.**

**CAUTION:**

**TO REDUCE THE RISK OF FIRE OR SHOCK HAZARD, REFER MOUNTING OF OPTIONAL INTERFACE BOARDS TO AUTHORIZED SERVICE PERSONNEL.**

**■ DO NOT REMOVE PANEL COVERS BY UNSCREWING THEM.**

To reduce the risk of electric shock, do not remove the covers. No user serviceable parts inside. Refer servicing to qualified service personnel.

**WARNING:**

- **TO REDUCE THE RISK OF FIRE OR SHOCK HAZARD, DO NOT EXPOSE THIS EQUIPMENT TO RAIN OR MOISTURE.**
- **TO REDUCE THE RISK OF FIRE OR SHOCK HAZARD, KEEP THIS EQUIPMENT AWAY FROM ALL LIQUIDS. USE AND STORE ONLY IN LOCATIONS WHICH ARE NOT EXPOSED TO THE RISK OF DRIPPING OR SPLASHING LIQUIDS, AND DO NOT PLACE ANY LIQUID CONTAINERS ON TOP OF THE EQUIPMENT.**

### Lithium Battery

**Warning**

The lithium battery in this equipment must only be replaced by qualified personnel. When necessary, contact your local Panasonic supplier.

“The lithium battery is a critical component (type number CR2032 or BR2032 manufactured by Panasonic.)

It must never be subjected to excessive heat or discharge. It must therefore only be fitted in equipment designed specifically for its use.

Replacement batteries must be of the same type and manufacturer. They must be fitted in the same manner and location as the original battery, with the correct polarity connections observed.

Do not attempt to re-charge the old battery or re-use it for any other purpose. It should be disposed of in waste products destined for burial rather than incineration.”

**CAUTION**

Danger of explosion if battery is incorrectly replaced.

Replace only with the same or equivalent type recommended by the equipment manufacturer. Discard used batteries according to manufacturer's instructions.

**VARNING**

Explosionsfara vid felaktigt batteribyte. Använd samma batterityp eller en ekvivalent typ som rekommenderas av apparattillverkaren. Kassera använt batteri enligt fabrikantens instruktion.


**ADVARSEL!**

Eksplussionsfare ved fejlagtig håndtering. Udskiftning må kun ske med batteri af samme fabrikat og type. Levér det brugte batteri tilbage til leverandøren.

**VAROITUS**

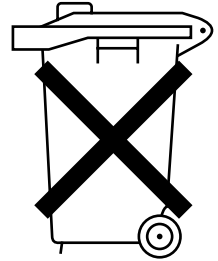
Paristo voi räjähtää, jos se on virheellisesti asennettu.

Vaihda paristo ainoastaan laitevalmistajan suosittelemaan tyyppiin. Hävitä käytetty paristo valmistajan ohjeiden mukaisesti.

 indicates safety information.

## Attention/Attentie

- Batteries are used for the main power source and memory back-up in the product.  
At the end of their useful life, you should not throw them away.  
Instead, hand them in as small chemical waste.
- Voor de primaire voeding en het reservegeheugen van het apparaat wordt gebruikgemaakt van een batterij.  
Wanneer de batterij is uitgeput, mag u deze niet gewoon weggooien, maar dient u deze als klein chemisch afval weg te doen.

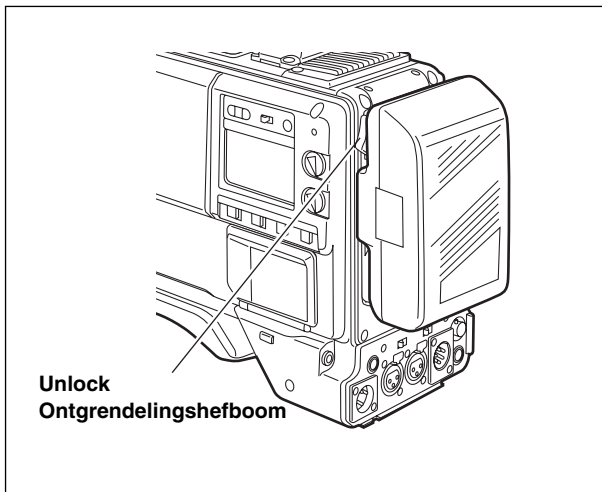


## To remove the battery/Verwijderen van de batterij

### Main Power Battery (Ni-Cd Battery)

### Batterij Voor Primaire Voeding (Nikkelcadmiumbatterij)

Anton Bauer Battery  
Anton Bauer-Batterij

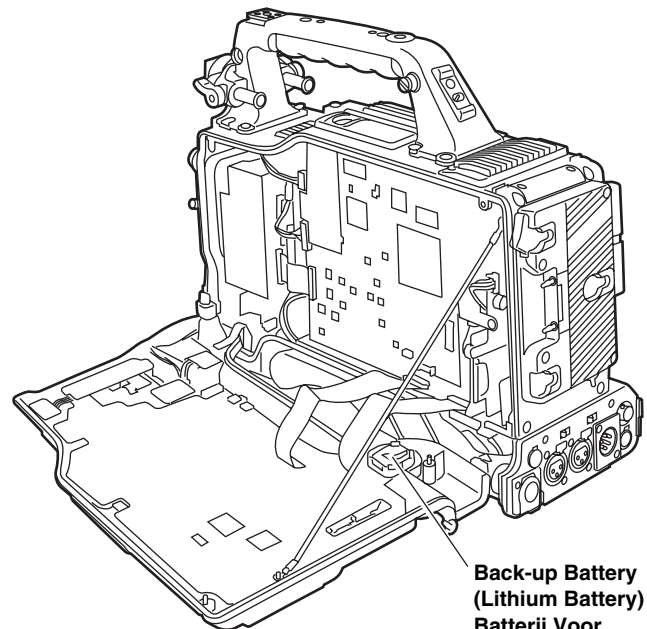


- If a battery made by any other manufacturer is to be used, check the Operating Instructions accompanying the battery.
- In geval u een batterij van een anden fabrikant zou gebruiken, gelieve dan eerst zorgvuldig de gebruiksaanwijzing van deze batterij te lezen.

### Back-up Battery (Lithium Battery)

### Batterij Voor Reservegeheugen (Lithiumbatterij)

- For the removal of the battery for disposal at the end of its service life, please consult your dealer.
- Raadpleeg uw leverancier over de verwijdering van de batterij op het moment dat u het apparaat bij einde levensduur afdankt.



Back-up Battery  
(Lithium Battery)  
Batterij Voor  
Reservegeheugen  
(Lithiumbatterij)

# Contents

<b>Chapter 1</b>	<b>General</b>	<b>6</b>	<b>4-5</b>	<b>Setting the time data</b>	<b>33</b>
1-1	Features of the camera unit	6	4-5-1	Setting the user bits	33
1-2	Features of the VTR unit	7	4-5-2	Setting the internal clock's date and time	34
1-3	System configuration	8	4-5-3	Setting the time code	35
			4-5-4	Externally locking the time code	35
			4-5-5	Setting the UMID information	36
<b>Chapter 2</b>	<b>Parts and their functions</b>	<b>9</b>	<b>4-6</b>	<b>Menu displays on the viewfinder screen</b>	<b>37</b>
2-1	Power supply and accessory mounting section	9	4-6-1	Menu configuration	37
2-2	Audio function section	10	4-6-2	Basic menu operations	37
2-3	Shooting and recording/playback function section	12	4-6-3	Selecting the user menus	38
2-4	Menu operation section	15	<b>4-7</b>	<b>Viewfinder screen status displays</b>	<b>39</b>
2-5	Time code related section	16	4-7-1	Viewfinder lamp displays	39
2-6	Warning/status display section	17	4-7-2	Viewfinder screen status display configuration	39
2-7	Display window and its displays	17	4-7-3	Selecting the viewfinder screen display items	39
2-8	Viewfinder section	19	4-7-4	Display modes and setting changes/adjustment result messages	45
			4-7-5	Setting the marker displays	45
			4-7-6	Setting the camera ID	45
			4-7-7	Mode check screen displays (MODE CHECK button function)	46
			4-7-8	Marker check screen displays (MARKER SELECT button function)	46
<b>Chapter 3</b>	<b>Recording and playback</b>	<b>20</b>	<b>4-8</b>	<b>Menu-driven function setup</b>	<b>47</b>
3-1	Cassette tapes	20	4-8-1	Setting the USER SW GAIN switching	47
3-2	Basic procedures	21	4-8-2	Selecting the video output signals	47
3-3	Scene-to-scene continuity	23	4-8-3	Selecting the F.AUDIO LEVEL control function	48
3-4	PRE-RECORDING function	23	4-8-4	Allocating functions to the USER MAIN, USER1 and USER2 buttons	48
3-5	INTERVAL REC function	24	4-8-5	Setting the color temperature manually	49
3-6	RETAKE function	25	<b>4-9</b>	<b>Data handling</b>	<b>49</b>
3-7	Rec-review function	26	4-9-1	Handling the setup card	49
3-8	Normal playback and playback at different speeds	26	4-9-2	Setup card operations	50
			4-9-3	How to use the user data	53
			4-9-4	How to use the scene file data	54
			4-9-5	How to return the menus settings to the user standard settings	57
			4-9-6	How to return the menus settings to the factory standard settings	57
			4-9-7	How to use the lens file data	57
<b>Chapter 4</b>	<b>Adjustments and settings for recording</b>	<b>27</b>	<b>Chapter 5</b>	<b>Preparation</b>	<b>58</b>
4-1	Adjusting the white balance and black balance	27	<b>5-1</b>	<b>Supplying the power</b>	<b>58</b>
4-1-1	Adjusting the white balance	27	5-1-1	Attaching the battery and setting the battery type	58
4-1-2	Adjusting the black balance	29	5-1-2	Using an AC power supply	60
4-2	Setting the electronic shutter	30	<b>5-2</b>	<b>Attaching the lens and performing the flange back and white shading adjustments</b>	<b>60</b>
4-2-1	Shutter modes	30			
4-2-2	Setting the shutter mode and speed	30			
4-2-3	Setting the synchro scan mode	31			
4-3	Selecting the recording signals and recording system	31			
4-3-1	Selecting the record signals	31			
4-4	Selecting the audio input signals and adjusting their recording levels	31			
4-4-1	Selecting the audio input signals	31			
4-4-2	Adjusting the audio signal recording levels	32			
4-4-3	CH3 and CH4 recording levels	32			

# Contents

<b>5-3 Audio input signal preparations</b> .....	<b>65</b>	<b>7-4 VF</b> .....	<b>85</b>
5-3-1 When using the front microphone .....	65	7-4-1 VF DISPLAYS .....	85
5-3-2 When using a wireless receiver .....	65	7-4-2 VF MARKER .....	85
5-3-3 When using an audio component .....	66	7-4-3 USER BOX .....	86
<b>5-4 Mounting the unit on a tripod</b> .....	<b>66</b>	7-4-4 VF INDICATOR1 .....	86
<b>5-5 Attaching the shoulder belt</b> .....	<b>67</b>	7-4-5 VF INDICATOR2 .....	86
<b>5-6 Adjusting the position</b> <b>of the shoulder pad</b> .....	<b>67</b>	7-4-6 MODE CHECK IND .....	87
<b>5-7 Attaching the rain cover</b> .....	<b>67</b>	7-4-7 !LED .....	87
<b>5-8 Connecting the extension control unit</b> <b>(AJ-EC3E)</b> .....	<b>67</b>	<b>7-5 OPERATION</b> .....	<b>87</b>
<b>5-9 Attaching the FRONT AUDIO LEVEL</b> <b>control knob</b> .....	<b>68</b>	7-5-1 CAMERA ID .....	87
<b>Chapter 6 Maintenance and</b> <b>inspections</b> .....	<b>69</b>	7-5-2 SHUTTER SPEED .....	87
<b>6-1 Inspections prior to shooting</b> .....	<b>69</b>	7-5-3 SHUTTER SELECT .....	88
6-1-1 Preparation for inspections .....	69	7-5-4 USER SW .....	88
6-1-2 Inspecting the camera unit .....	69	7-5-5 SW MODE .....	89
6-1-3 Inspecting the VTR unit .....	70	7-5-6 WHITE BALANCE MODE .....	90
6-1-4 Self-diagnosis function .....	71	7-5-7 USER SW GAIN .....	90
<b>6-2 Maintenance</b> .....	<b>72</b>	7-5-8 IRIS .....	91
6-2-1 Condensation .....	72	<b>7-6 FILE</b> .....	<b>91</b>
6-2-2 Head cleaning .....	72	7-6-1 CARD READ/WRITE .....	91
6-2-3 Cleaning inside the viewfinder .....	72	7-6-2 CARD R/W SELECT .....	91
6-2-4 Phenomena inherent to CCD cameras .....	72	7-6-3 LENS FILE .....	92
6-2-5 Replacing the backup battery .....	72	7-6-4 SCENE .....	92
6-2-6 Connectors and signals .....	73	7-6-5 INITIALIZE .....	92
<b>6-3 Warning system</b> .....	<b>74</b>	<b>7-7 MAINTENANCE</b> .....	<b>92</b>
6-3-1 Warning description tables .....	74	7-7-1 SYSTEM CHECK .....	92
6-3-2 Error codes .....	76	7-7-2 DIAGNOSTIC .....	92
6-3-3 Emergency eject .....	76	7-7-3 LENS ADJ .....	92
<b>Chapter 7 Menu description tables</b> .....	<b>77</b>	7-7-4 BLACK SHADING .....	93
<b>7-1 Menu configuration</b> .....	<b>77</b>	7-7-5 WHITE SHADING .....	93
<b>7-2 SYSTEM SETTING</b> .....	<b>78</b>	<b>7-8 VTR MENU</b> .....	<b>93</b>
7-2-1 SYSTEM SETTING .....	78	7-8-1 VTR FUNCTION .....	93
7-2-2 REC FUNCTION .....	78	7-8-2 BATTERY/TYPE .....	93
7-2-3 OUTPUT SEL .....	78	7-8-3 BATTERY SETTING1 .....	94
7-2-4 GENLOCK .....	79	7-8-4 BATTERY SETTING2 .....	96
7-2-5 OPTION MODE .....	79	7-8-5 MIC/AUDIO1 .....	97
<b>7-3 PAINT</b> .....	<b>79</b>	7-8-6 MIC/AUDIO2 .....	97
7-3-1 ROP .....	79	7-8-7 TC/UB .....	98
7-3-2 MATRIX .....	80	7-8-8 UMID SET/INFO .....	98
7-3-3 COLOR CORRECTION .....	80	7-8-9 VTR DIAG .....	99
7-3-4 LOW SETTING .....	81	<b>7-9 OPTION MENU</b> .....	<b>99</b>
7-3-5 MID SETTING .....	81	7-9-1 OPTION .....	99
7-3-6 HIGH SETTING .....	82	7-9-2 DOWNCON SETTING .....	99
7-3-7 ADDITIONAL DTL .....	82	<b>Chapter 8 Specifications</b> .....	<b>100</b>
7-3-8 SKIN TONE DTL .....	83		
7-3-9 KNEE/LEVEL .....	83		
7-3-10 GAMMA .....	84		
7-3-11 FLARE .....	84		
7-3-12 CAMERA SETTING .....	84		

# Chapter 1 General

---

The AJ-HDX400E is a video camera recorder that integrates a 3-CCD camera unit featuring a 2/3-inch on-chip lens that supports progressive drive with a VTR unit that in turn supports the DVCPRO HD EX format.

One special feature of the camera unit is its ability to consistently express images with a high quality and high sensitivity since it employs progressive drive.

The unit is both compact and lightweight, and it has a minimal power consumption. It features a high picture quality and sensitivity, it has excellent mobility, and it effectively withstands dust, humidity and moisture. With all these features incorporated, it can be used even for electronic news gathering activities.

Both the camera and VTR units employ digital signal processing technology to achieve even higher levels of picture quality and stability and also to produce a system that enables the data to be controlled on the setup card.

## 1-1 Features of the camera unit

### ● E-cinema camera unit featured

This video camera recorder features the Varicam (AJ-HDC27F) camera unit that was developed for E-cinema uses. This camera maximally exploits the excellence of progressive scanning and, in delivering signals to the VTR unit, it cross-converts the signals into the 1080i system using a newly developed LSI chip.

### ● Progressive drive

The unit is a switchable progressive and interlaced standards (1080/25P and 1080/50i) enable reader.

While progressive drive is used, the signals transferred to and from the unit are converted into interlace signals (25PsF).

### ● Storage type high-sensitivity function

The unit comes with a storage type gain increase function. This is a function that makes it possible to achieve a higher sensitivity of up to 20 dB above the regular gain increase.

### ● Digital zoom function

The unit is equipped with a digital zoom employing function. This function is particularly useful when zooming further in on a subject.

### ● 12-bit A/D conversion digital signal processing circuitry

The analog images are processed into digital data by a 12-bit A/D converter with sampling frequencies of 74 MHz, and by operating the signal processor using the 74 MHz frequency, it is possible to reproduce images which are more finely detailed and achieve improvements in stability and reliability.

### ● 12-axis independent color correction function

Serving as a paint function, this facility enables the colors for 12 axes to be compensated for independently and is very useful for creating finely detailed images.

### ● Data control function

When the unit is used on its own, one set of user data and four sets of scene file data can be registered. Further, by using an SD card or a Multimedia Card (optional accessory) as the setup card, up to eight sets of setup data can be stored.

#### <Note>

SD card and MultiMedia card used in this unit do not comply with the SD standard. Do not use cards formatted using this unit with other camera-recorders. Further, NTFS and FAT32 formatted cards cannot be used with this unit.

The recommended size for SD cards is 8 MB or more and 4 MB or more for MultiMedia cards.

### ● MARKER SELECT button

At the front of the unit is a button for checking the information concerning the markers on the viewfinder screen. This is useful for checking the picture angle, for instance, during shooting.

### ● ECU supported

The unit supports the AJ-EC3E extension control unit.

### ● Single-action shoulder pad slide function

It is now possible to adjust the position where the unit is optimally balanced for operation using a single-touch action. This means that the operator can easily optimize the unit's balance when the lens, battery and other peripheral camera devices have been installed on the unit.



## 1-2 Features of the VTR unit

### ● DVCPRO HD EX format system supported

The VTR unit employs the DVCPRO HD EX recording format that supports the 1080i/25PsF,50i HD system. Using the latest compression technology, it achieves two times the economy of conventional DVCPRO HD format.

### ● Power-saving management function

In order to reduce its power consumption efficiently, the unit has a function that shuts down circuitry that is not required for the particular VTR mode established at the time. This enables the user to perform operations while conserving power.

### ● Pre-recording function featured

This function makes it possible to record the pictures and sound up to 10 seconds ahead of the point in time when recording is commenced by pressing the REC START button or VTR button on the lens. It is effective in preventing shots from being missed.

### ● Interval REC function provided

This unit is capable of interval shooting.

This unit makes it possible to conduct recording in intervals with a minimum recording time in increments of one frame.

This is particularly useful for shooting science and nature programs.

Furthermore, when the unit is used for one-shot recording, frame-by-frame shooting is easily accomplished.

### ● RETAKE function

This function is for not leaving behind superfluous cuts when a cut turns out to be no good during the shooting of news, reports or art programmes. By cutting down on the time taken for copying onto the work tape, for instance, this function is very effective in achieving economical operation. Users should remember to handle this function very carefully.

### ● SD down-converter output supported

This unit makes it possible to output SD down-converter signals from its VIDEO OUT connector.

### ● Input signals of 4 separate audio channels supported

The unit enables the audio input signals in four channels to be selected separately. Further, the level of the signal in each channel can be monitored on the LCD display window.

### ● Front audio level control


The unit's front panel is equipped with a control for adjusting the audio recording level. This is useful when the user is filming on his or her own and the audio level needs to be adjusted. It also is possible to cancel the effect of this control.

### ● UniSlot wireless receiver

The unit's construction supports a slot-in wireless receiver which is available as an optional accessory.

### ● Built-in DOLBY NR system

The CUE audio recording circuitry contains a Dolby B noise reduction circuit.

- Dolby noise reduction manufactured under license from Dolby Laboratories Licensing Corporation.
- "DOLBY" and the double-D symbol  are trademarks of Dolby Laboratories Licensing Corporation.

### ● Frame-to-frame continuity

Simply by pressing the REC START button or VTR button on the lens, the continuity from one frame to the next is assured with a precision of +1 frame or less.

### ● Rec-review function

This automatically rewinds the tape for the last 2 to 10 seconds recorded and plays back the recording. This enables the recording to be monitored easily.

### ● Built-in time code generator/reader

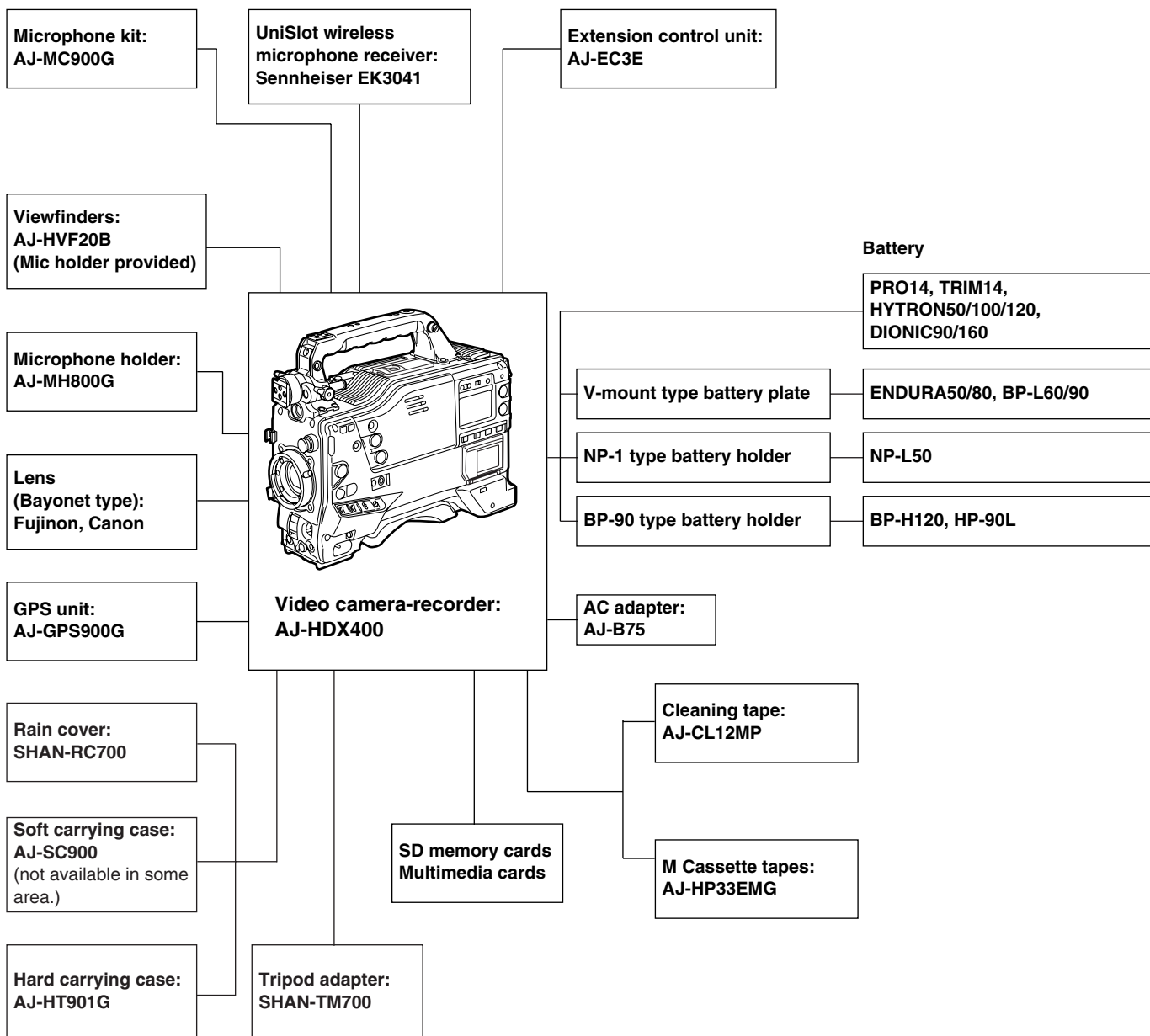
This enables the time code information to be recorded on the dedicated sub-code track and played back.

### ● Metadata supported

The unit allows information from the AJ-GPS900G GPS unit to be recorded on tape as the metadata UMID information. This is useful when it comes to managing on-tape information.

# Chapter 1 General

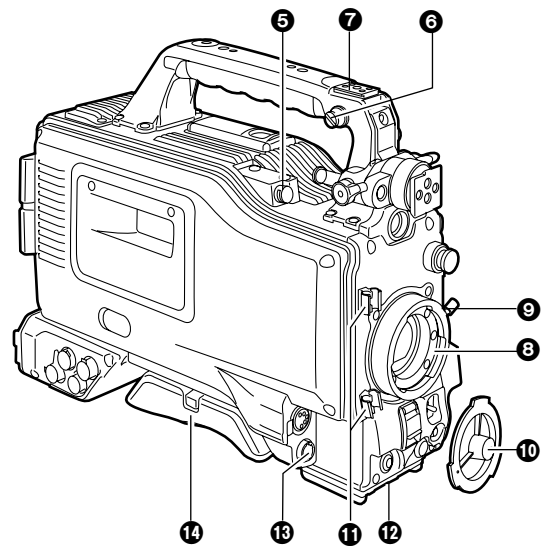
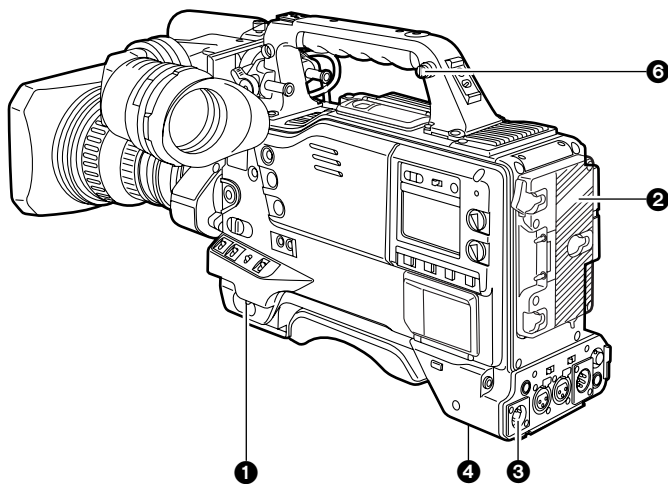
## 1-3 System configuration





# Chapter 2 Parts and their functions

## 2-1 Power supply and accessory mounting section



### 1 POWER switch

This switch turns the power ON and OFF.

### 2 Battery mount

This is for attaching the Anton Bauer battery pack.

### 3 DC IN (external power input) socket (XLR, 4-pin)

When operating this unit using an AC power source, this socket is connected to the model AJ-B75 AC adapter (optional accessory).

### 4 BREAKER switch

If an excessively high current flows inside the unit due to some problem or other, the circuit breaker is tripped and the power is automatically turned off to protect the unit. Push this button in after an inspection has been conducted or repairs performed inside the unit by a qualified service person. If there are no problems, the power will come back on.

### 5 GPS connector

The connector from AJ-GPS900G, a GPS unit available as an optional accessory, is connected here.

### 6 Shoulder belt fittings

The shoulder belt is attached here.

### 7 Light shoe

Use this to attach the video light, etc.

### 8 Lens mount (bayonet type)

The lens is attached to this mount.

### 9 Lens lever

This lever is tightened to secure the lens after it has been attached to the lens mount.

### 10 Lens mount cap

To remove the cap, push the lens lever 9 up. Keep the cap in place while the lens is not attached.

### 11 Lens cable/microphone cable clamp

This clamp is for anchoring the lens cable or microphone cable.

### 12 Tripod mount

Mount the tripod adapter (SHAN-TM700), available as an optional accessory, when the unit is to be anchored to a tripod.

### 13 LENS jack (12-pin)

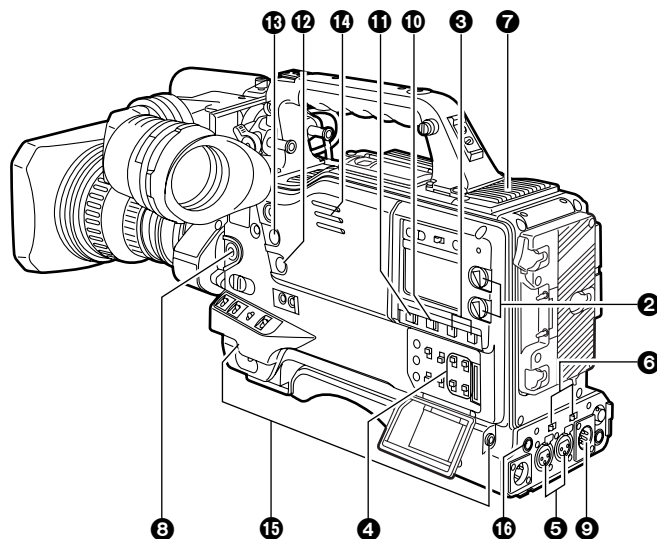
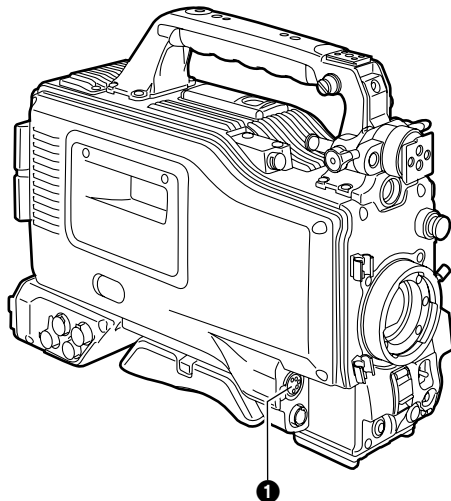
The connecting cord of the lens is connected to this jack. For further details on the lenses that can be used, refer to the operating instructions of the lenses concerned.

### 14 Easy-to-adjust shoulder pad

The position of the shoulder pad can be adjusted backward or forward so that the unit is balanced when it is carried on the user's shoulder.

# Chapter 2 Parts and their functions

## 2-2 Audio function section (input system)



### 1 MIC IN (microphone input) jack (XLR, 5-pin)

Connect the microphone (optional accessory) here. The power for the microphone is supplied from this jack.

### 2 AUDIO LEVEL CH1/CH2 (audio channel 1 & 2 recording level adjustment) controls

When the AUDIO SELECT CH1/CH2 switch 3 is set to MAN, the recording level of audio channels 1 and 2 can be adjusted using these controls.

The controls come with a locking mechanism. Therefore, to adjust the recording level, simultaneously push in and turn the controls.

### 3 AUDIO SELECT CH1/CH2 (audio channel 1 & 2 automatic/manual level adjustment selector) switch

This is used to select the method for adjusting the recording levels of audio channels 1 and 2.

**AUTO** : Set here for automatic adjustment.

**MAN** : Set here for manual adjustment.

### 4 AUDIO IN (audio input selector) switch

These are used to select the input signals to be recorded on audio channels 1 and 2.

#### FRONT :

The input signals supplied from the microphone which has been connected to the MIC IN jack 1 are recorded.

#### W.L. (wireless) :

The input signals from the slot-in wireless microphone receiver are recorded.

#### REAR :

The audio input signals supplied from the audio component which has been connected to the AUDIO IN CH1/CH2 connectors 5 are recorded.

### 5 AUDIO IN CH1/CH2 (audio input channel 1 & 2) connectors (XLR, 3-pin)

An audio component or microphones are connected here.

### 6 LINE/MIC/+48V (line input/mic input/mic input + 48V) selector switch

This is used to switch the audio input signals from the audio component which has been connected to the AUDIO IN CH1/CH2 connectors 5.

**LINE** : The audio input signals from the audio component serving as the line input are selected.

**MIC** : The audio input signals from the internal power supply type of microphone are selected. (The phantom mic power is not supplied from the unit.)

**+48V** : The audio input signals from the external power supply type of microphone are selected. (The phantom mic power is supplied from the unit.)

### 7 Wireless receiver slot

The UniSlot wireless receiver (optional accessory) can be attached here.

### 8 FRONT AUDIO LEVEL (audio recording level adjustment) control

This enables the recording level of audio channels 1 and 2 to be adjusted. This level can be adjusted regardless of the setting position of the AUDIO SELECT switch.

When the <MIC/AUDIO1> screen is opened from the VTR MENU page by performing a menu operation, whether to enable or disable the operation of this level control can be set using the FRONT VR CH1 and FRONT VR CH2 setting items.

## 2-2 Audio function section (output system)

### 9 AUDIO OUT connector (XLR, 5-pin)

The audio signals recorded on audio channels 1 and 2 or audio channels 3 and 4 are output from this connector. The signals to be output can be selected using the MONITOR SELECT CH1/2 • CH3/4 selector switch 10.

### 10 MONITOR SELECT (audio channel) CH1/2 • CH3/4 selector switch

This is used to select the audio channels whose signals are to be output to the speaker, earphone and AUDIO OUT connector.

**CH1/2** : The signals of audio channels 1 and 2 are output.

**CH3/4** : The signals of audio channels 3 and 4 are output.

In addition, the channel indications for the audio level meters appearing in the display window and viewfinder change when this switch is operated.

### 11 MONITOR SELECT (audio selection)

#### CH1/3 • ST • CH2/4 selector switch

This is linked with the MONITOR SELECT CH1/2 • CH3/4 selector switch 10 and used to select the sound which is to be output from the speaker, earphone and AUDIO OUT connector.

**CH1/3** : The signals of audio channel 1 or 3 are output.

**ST** : The stereo audio signals of either audio channels 1 and 2 or audio channels 3 and 4 are output. Using a menu setting, the stereo signals can be changed to MIX signals.

**CH2/4** : The signals of audio channel 2 or 4 are output.

	MONITOR SELECT CH1/2 • CH3/4 selector switch	
	CH1/2	CH3/4
<b>CH1/3</b>	Audio channel 1	Audio channel 3
<b>ST</b>	Stereo* signals of audio channels 1 and 2	Stereo* signals of audio channels 3 and 4
<b>CH2/4</b>	Audio channel 2	Audio channel 4

\* Either STEREO or MIX can be selected as the setting for the MONITOR SELECT item by opening the <MIC/AUDIO2> screen from the VTR MENU page by performing a menu operation.

### 12 MONITOR (volume) control

This is used to adjust the volume of the monitor speaker or earphone.

### 13 ALARM (warning alarm volume adjustment)

This is used to adjust the volume of the warning alarms from the earphones which have been connected to the speaker 14 or PHONES jack 15.

The warning alarms are not audible when this control is at its lowest setting.

### 14 Speaker

The EE sound during recording or the playback sound during playback can be monitored through this speaker.

The warning alarms are output in synchronization with the flashing or lighting of the warning lamps and warning displays.

The sound heard from the speaker is automatically cut off when earphones are connected to the PHONES jack 15.

### 15 PHONES (earphones) jack (mini jack)

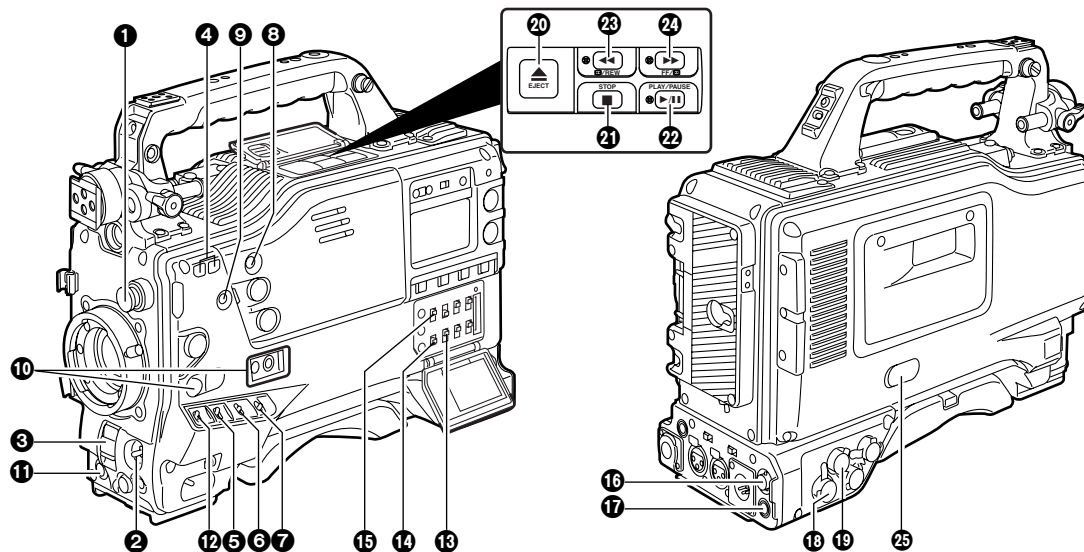
This is the earphone (stereo) jack which is used to monitor the audio signals. When earphones are connected, the sound from the speaker is automatically cut off. The sound which is output from the two jacks (front and rear) is the same.

#### <Note>

When listening to sound being recorded through speakers or an earphone, there may be a slight time lag in the sound: this is normal and not indicative of malfunctioning.

### 16 DC OUT (DC power supply) output socket

This normally serves as the DC 12 V output socket. A current of approximately 1 A can be supplied.



## 2-3 Shooting and recording/playback function section

### Shooting and recording (camera unit)

#### 1 CC FILTER/ND FILTER (filter switching) controls

These are used to select the filter in accordance with the subject's brightness and color temperature.

CC FILTER knob (outside, large diameter)

A: Cross filter                      B: 3200 K

C: 4300 K                              D: 6300 K

ND FILTER knob (inside, small diameter)

1: CLEAR (transparent)    2: 1/4 ND

3: 1/16 ND                              4: 1/64 ND

#### Examples of filter selection

Shooting conditions	CC filter	ND filter
Sunrise, sunset, inside a studio	B (3200 K)	1 (CLEAR)
Outdoors under a clear sky	C (4300 K) or D (6300 K)	2 (1/4 ND) or 3 (1/16 ND)
Outdoors under cloudy or rainy skies	D (6300 K)	1 (CLEAR) or 2 (1/4 ND)
Snowscapes, high mountains, seashores or other perfectly clear scenery	C (4300 K) or D (6300 K)	3 (1/16 ND) or 4 (1/64 ND)

#### 2 AUTO W/B (white/black) BAL switch

**AWB:** The white balance is automatically adjusted. When the AWB memory selector switch on the side panel is set to A or B and then the AUTO W/B BAL switch is operated, the adjustment value is recorded in the memory. When VAR has been selected as the setting for AWB A and/or AWB B menus, the value will be the one set in the menu and this switch will not function. Note that this switch will also not function at the PRST position.

**ABB:** The black balance is automatically adjusted.

If the AUTO W/B BAL switch is held down at the ABB position for 5 or more seconds, the black shading is compensated automatically.

#### <Note>

When white balance or black balance are being automatically adjusted and the switch is pressed again to either the AWB side or to the ABB side, the automatic adjustment for the side pressed will be stopped.

The adjusted value in this case is the value before automatic adjustment was performed.

#### 3 SHUTTER switch

This is the ON/OFF selector switch of the electronic shutter.

**OFF:** The electronic shutter does not operate.

**ON:** The electronic shutter operates.

**SEL:** This is used when the electronic shutter speed is to be changed.

The switch is a non-locking type. The shutter speed changes each time it is operated. For further details, refer to "4-2 Setting the electronic shutter."

#### 4 Synchro scan adjustment switches

These switches become effective when the shutter switch 3 is set to ON and SYNCHRO SCAN is selected. They are used to adjust the synchro scan speed.

When the "-" switch is pressed, the shutter speed is reduced; conversely, when the "+" switch is pressed, it is increased.

During personal computer monitor shooting, etc. adjust these switches to the positions where the horizontal bar noise inside the viewfinder is decreased.

#### 5 GAIN selector switch

This is used to select the gain of the video amplifier in accordance with the lighting conditions prevailing at the time of the shooting. The gain values for the L, M and H settings are set ahead of time on the setting menu. Their factory settings are 0 dB, 6 dB and 12 dB, respectively.

## 6 OUTPUT/AUTO KNEE selector switch

This switch selects the video signals which are to be output from the camera unit to the VTR unit, viewfinder and/or video monitor.

### CAM. AUTO KNEE ON:

The images shot by the camera are output. The AUTO KNEE circuit operates.

### CAM. AUTO KNEE OFF:

The images shot by the camera are output. The MANUAL KNEE circuit operates.

### BARS:

Color bar signals are output. The AUTO KNEE circuit does not operate.

#### AUTO KNEE function

When shooting with the level set to people or scenes against a high-brightness background, the background will be whitened out, and the buildings and scene in the background will be blurred. If the AUTO KNEE function is activated at times like this, the background will be reproduced clearly. This function is effective for shooting in the following situations:

- When shooting people in the shade under a clear sky
- When simultaneously shooting people in a car or indoors and the outside scenery through a window
- When shooting scenes with a strong contrast

## 7 WHITE BAL (white balance memory selector) switch

This is used to select the method used to adjust the white balance.

### PRST:

Set the switch to this position at times when, for instance, there is no time to adjust the white balance. The factory setting for the white balance is 3200K, but this can be changed to any other value by a menu setting. For details, refer to "4-8-5 Setting the color temperature manually."

### A or B:

When the AUTO W/B BAL switch 2 is set to AWB, the white balance is automatically adjusted, and the adjusted value is stored in memory A or memory B. For details, refer to "4-1-1 Adjusting the white balance."

As the factory setting, the settings are to be allocated to the memory. Using a menu setting, it is also possible to allocate the color temperatures of the user's choice to memory A and memory B. For details, refer to "4-8-5 Setting the color temperature manually."

## 8 MODE CHECK button

Each time this button is pressed, one of the four screen pages (STATUS screen display, !LED screen display, FUNCTION screen display and AUDIO screen display) is selected and displayed on the viewfinder to indicate the camera's settings.

This does not affect the output signals of the camera.

## 9 MARKER SELECT button

This is used to select the marker information displays on the viewfinder screen. Each time it is pressed, the two marker information display screens set by the menu are switched in the following sequence: A (A marker display) → B (B marker display) → OFF (no marker display) → A, and so on repeatedly. Note that when the power is switched ON, the display on the viewfinder screen immediately before the power was switched OFF will appear. For details, refer to "4-7-8 Marker check screen displays."

## 10 USER MAIN, USER 1 and USER 2 buttons

A user setting can be allocated to each of these buttons using the setting menu. When a button is pressed, the user setting mode allocated to it is selected.

When the button is pressed again, the selected mode is released.

For details, refer to "4-8-4 Allocating functions to the USER MAIN, USER1 and USER2 buttons."

## Shooting and recording (VTR unit)

### 11 REC START/STOP button

When this is pressed, recording starts; when it is pressed again, recording stops. This button functions in the same way as the lens VTR button.

### 12 VTR SAVE/STBY (tape protection) switch

This is used to select the power supply mode when the VTR has temporarily stopped recording (REC PAUSE mode).

**SAVE:** This is the tape protection mode. The cylinder is stopped in the half-loading status.

Less power is consumed than at the STBY position, and the operating time provided by the battery is prolonged. Compared with the STBY position, it takes longer for recording to commence after the REC START button 11 has been pressed. When the switch is set to this position, the VTR SAVE lamp inside the viewfinder lights.

**STBY:** At this position, recording is commenced as soon as the REC START button is pressed.

#### <Note>

When the prescribed amount of time has elapsed in the STBY mode, the unit is automatically set to the SAVE mode. To return the unit to the STBY mode, set the VTR SAVE/STBY switch to SAVE, and then again to the STBY position.



## Chapter 2 Parts and their functions

---

### 13 OUTPUT SEL (output signal selection) switch

This is used to select the signals output from the VIDEO OUT connector and HD SDI connector.

**VTR** : In the recording or other EE mode, the camera images are output from the connectors; in the playback or other VV mode, it is the VTR's playback signals which are output.

**CAM** : The camera images are output at all times.

**OFF** : The video output is stopped and the power reduction mode is established.

Furthermore, the audio output signals are synchronized with the video signals as well.

For details on the video output, refer to "4-8-2 Selecting the video output signals."

#### <Note>

During recording, the output signals are not switched even when the position of this switch is changed. They are switched when the recording operation is stopped.

### 14 CHARACTER switch

This is used to control the superimposing of the characters onto the images which are output from the VIDEO OUT connector and HD SDI connector.

**ON** : The characters are superimposed onto the images.

**OFF** : The characters are not superimposed onto the images.

For details on the character types, refer to "4-8-2 Selecting the video output signals."

### 15 DOWNCON switch

This is used to switch the mode of the SD down-converted signals which are output from the VIDEO OUT connector.

**LT BOX** : Letter-box images are output.

**SCROP** : Images with their sides cropped are output.

**SQUEEZE** : Squeezed images are output.

### 16 VIDEO OUT (SD DOWNCON signal output) connector

This is the SD DOWNCON signal output connector. The SD DOWNCON signals linked to the setting of the OUTPUT SEL switch are output from here.

#### <Note>

Since this unit is an HD camera recorder, the color bars which are output from the SD down-conversion output connector are different from the SD standard color bars.

### 17 ECU REMOTE (remote control) connector

The AJ-EC3E extension control unit (optional accessory) is connected here.

### 18 HD SDI (video and audio) connector

This is the connector for outputting the video signal which is used for monitoring. The video signals linked to the setting of the OUTPUT SEL switch are output from here. Whether characters are to be superimposed onto the images output from the VIDEO OUT connector can be selected separately using the internal menu.

For details, refer to "4-8-2 Selecting the video output signals."

### 19 GENLOCK IN connector

The HD Y reference signal is supplied to this connector when the camera unit is to be gen-locked or the time code is to be externally locked.

PAL composite video signals may be input as the reference signal instead but, in this case, the H phase cannot be adjusted. Also, it is not possible to externally lock the sub carrier of the unit's down-converter output (composite video signal).

### 20 EJECT button

This is pressed to insert or eject the cassette.

### 21 STOP button

This is pressed to stop the tape travel.

### 22 PLAY/PAUSE button

This is pressed to view the playback picture on the viewfinder screen or using a color video monitor. The button's lamp comes on during playback.

When it is pressed during playback, the unit is set to pause in the playback mode (PLAY PAUSE), and the button's lamp flashes. If the unit is left in the pause mode for two minutes, it automatically changes to the stop (STOP) mode.

### 23 REW (rewind) button and lamp

When this button is pressed during stop, the tape is reviewed at high speed. Its lamp lights at this time.

When it is pressed during playback or pause, the tape is reviewed at approximately 4 times the normal tape speed. Both the PLAY lamp and REW lamp light at this time.

### 24 FF (fast forward) button and lamp

When this button is pressed during stop, the tape is cued at high speed. Its lamp lights at this time.

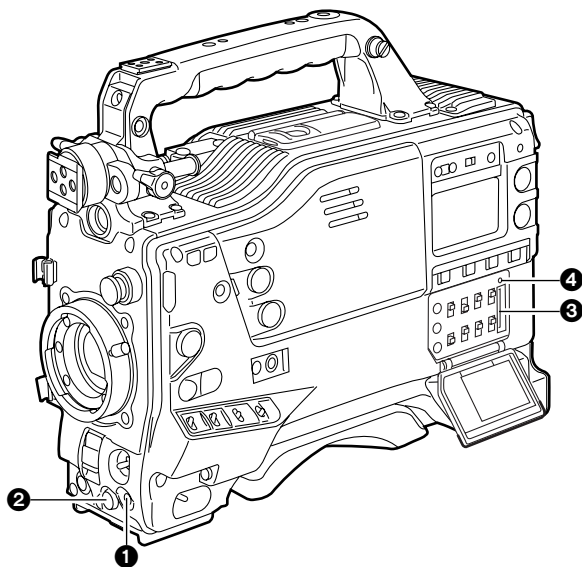
When it is pressed during playback or pause, the tape is cued at approximately 4 times the normal tape speed. Both the PLAY lamp and FF lamp light at this time.

### 25 EMERGENCY screw (inside rubber cap)

If the cassette does not eject even when the EJECT button is pressed, use a screwdriver or similar implement to push and turn the EMERGENCY screw at the same time: this will cause the cassette to be ejected.

For details, refer to "6-3-3 Emergency eject."

## 2-4 Menu operation section



**1 MENU button**

This is used to switch the menu ON and OFF.

**2 JOG dial button**

This is used to select the menu items and perform settings when the MENU button 1 is at the ON position.

**3 Setup card insertion slot**

This is where the SD card (optional accessory) or Multimedia card (optional accessory) is inserted into the unit.

**4 BUSY (operation mode display) lamp**

This lamp shows the operation mode of the setup card. It lights during operation.

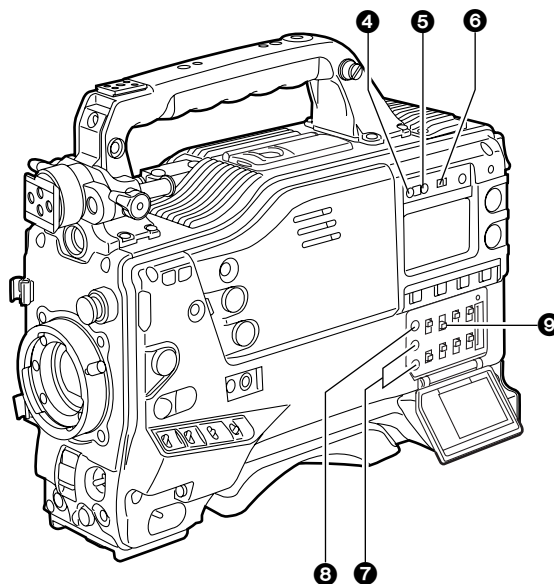
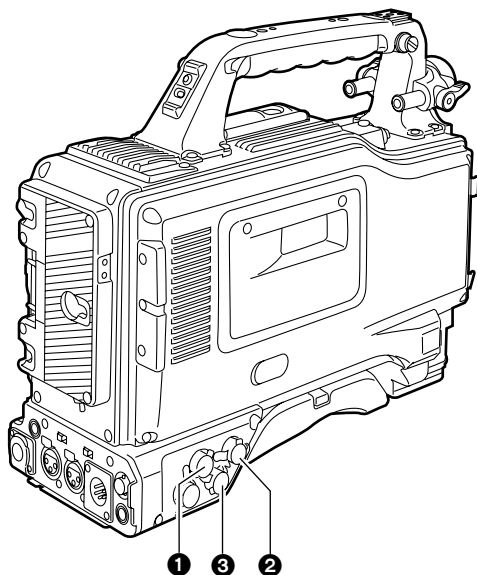
**<Note>**

When this lamp is lighted, refrain from inserting or removing the card.



# Chapter 2 Parts and their functions

## 2-5 Time code related section



### 1 GENLOCK IN connector (BNC)

The HD Y reference signal is supplied to this connector when the camera unit is to be gen-locked or the time code is to be externally locked. It is also possible to supply PAL composite video signals instead as the reference signal.

### 2 TC IN connector (BNC)

Supply the time code which will serve as the reference to this connector when externally locking the time code.

### 3 TC OUT connector (BNC)

To lock the time code of an external VTR to the unit's time code, connect this connector to the time code input (TC IN) connector on the external VTR.

### 4 HOLD button

The time data display of the counter display section which was on the screen at the moment when this button is pressed is held. (However, the time code generator keeps running.) When the button is pressed again, the hold status is released.

It is used, for instance, to find out the time code or CTL counter value at which a particular scene was shot.

### 5 RESET button

This is used to reset the time data on the counter display section to "00:00:00:00." If it is pressed while the TCG switch 9 is at the SET position, the time code data and user bits data are respectively reset to "00:00:00:00."

### 6 DISPLAY switch

This is used to display the time code, CTL or user bits on the counter display section depending on the setting positions of this switch and the TCG switch 9.

**UB** : The user bits are displayed.

**TC** : The time code is displayed.

**CTL** : CTL is displayed.

### 7 "+" button, "-" button

These are used to increment or decrement by 1 the figure in the digit which was made to flash by the SHIFT button 8 when the time code or user bits are to be set.

### 8 SHIFT button

This causes the digit to be set to flash when the time code or user bits are to be set.

### 9 TCG (time code selector) switch

This is used to set the running mode of the built-in time code generator.

**F-RUN** : Set here to have the time code run all the time regardless of the VTR's operation.

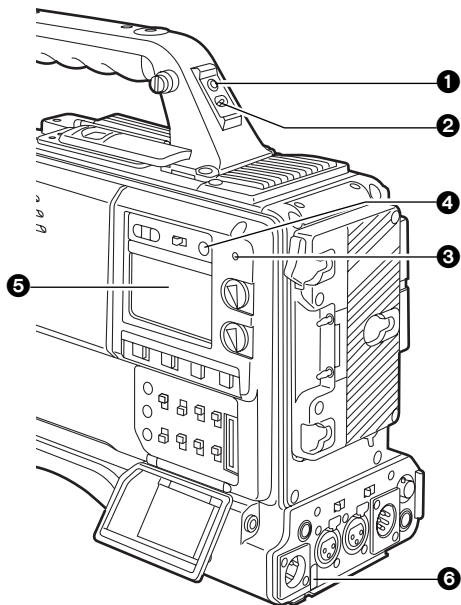
This position is used to align the time code with the time or externally lock the time code.

**SET** : Set here when the time code or user bits are to be set.

**R-RUN** : Set here to have the time code run only during recording. The time code on the tape with scene-to-scene continuity is recorded continuously.

# Chapter 2 Parts and their functions

## 2-6 Warning/status display section



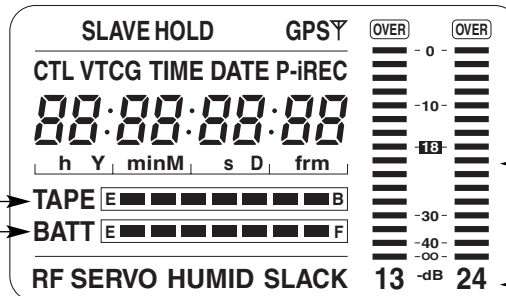
- 1 Back tally lamp**  
When the back tally switch **2** is set to ON, this lamp serves the same function as the front tally lamp in the viewfinder.
- 2 Back tally switch**  
This is used to control the unit's back tally lamp **1** and rear tally lamp **6**.  
**ON** : The back tally lamp and rear tally lamp operate.  
**OFF** : The back tally lamp and rear tally lamp do not operate.
- 3 WARNING lamp**  
When a problem of some form or other occurs within the VTR unit, this lamp flashes or lights.
- 4 LIGHT switch**  
This controls the lighting of the display window.  
Each time it is pressed, the lighting of the display window **5** is set in turn from on to off or vice versa.
- 5 Display window**  
This displays the alarms, remaining battery charge, audio levels, time data, etc. relating to the VTR unit.
- 6 Rear TALLY lamp**  
When the back tally switch **2** is set to ON, this lamp operates in exactly the same way as the back tally lamp.

## 2-7 Display window and its displays

Remaining tape and remaining battery charge and audio channel level displays

### Remaining tape display

The remaining tape time is displayed using 7 segments. The remaining tape time indicated by each segment is set to 3 minutes or 5 minutes using TAPE REMAIN/■ on the VTR MENU "BATTERY/TAPE" screen. Each time the number of minutes set for the segments elapses, one segment is cleared.



### Remaining battery charge display

If a battery with a digital display (% display) is used, all 7 segments up to the "F" position light when the 70% or more of the battery charge remains.

When there is less than 70% of the battery charge remaining, the segments go out one by one in sequence every time the remaining charge drops by 10%. It is also possible to set all 7 segments to light at a 100% battery charge by selecting 100% as the setting for BATT REMAIN FULL on the <BATTERY/TAPE> screen of the VTR menu.

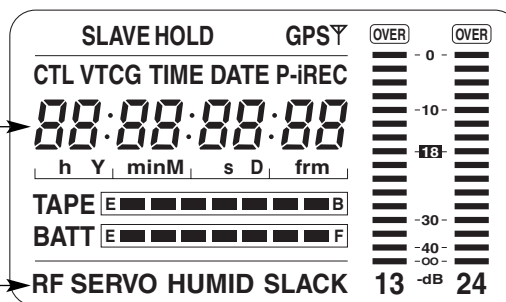
### Audio channel level meter

When the MONITOR SELECT CH1/2 • CH3/4 switch is set to CH1/2, numbers 1 and 2 indicating the audio channels appear, and the CH1 and CH2 audio levels are displayed. Conversely, when it is set to CH3/4, numbers 3 and 4 indicating the audio channels appear, and the CH3 and CH4 audio levels are displayed.

## Displays relating to the VTR unit's operations and modes

### Error code display

(for details, refer to "6-3 Warning system")



### Warning displays

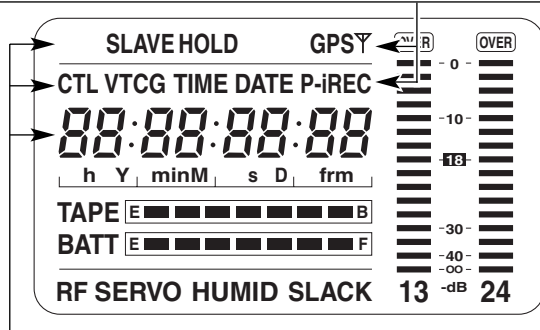
- RF:** Clogged video head
- SERVO:** Servo disturbance
- HUMID:** Formation of condensation on the head drum
- SLACK:** Problem in tape take-up

For details, refer to "6-3 Warning system."

# Chapter 2 Parts and their functions

## Mode displays

- GPS:** Lights when signals cannot be received during GPS operation.
- GPS  $\Upsilon$ :** Lights when signals are being received during GPS operation.
- P-REC:** Lights in pre-recording mode and flashes during the time set for pre-recording after the tally lamp for recording has turned off.
- iREC:** Lights during recording when the interval recording mode is established; flashes during recording standby.
- i:** Flashes when the interval recording mode has been selected.



## Displays relating to the time code

- SLAVE:** Lights when the time code is locked externally.
- HOLD:** Lights when the time generator/reader value is being held.
- CTL:** Lights when CTL is selected by the DISPLAY switch and the CTL count value is displayed.
- TCG:** Lights when TC (or UB) is selected by the DISPLAY switch and the TC (or UB) generator value is displayed.
- TC:** Lights when TC (or UB) is selected by the DISPLAY switch and the TC (or UB) reader value is displayed.
- VTCG:** Lights when UB is selected by the DISPLAY switch and the VIUB generator value is displayed.
- VTC:** Lights when UB is selected by the DISPLAY switch and the VIUB reader value is displayed.
- TIME:** Lights when UB is selected by the DISPLAY switch and the values of the hour, minutes and seconds in real time are displayed.
- DATE:** Lights when UB is selected by the DISPLAY switch and the values of the year, month and day are displayed in real time.
- No display:** Remains off when UB is selected by the DISPLAY switch and the real-time values of the hour and minutes in the time zone are displayed.
- Time counter display:**  
The time code, CTL, user bits and real time are displayed.

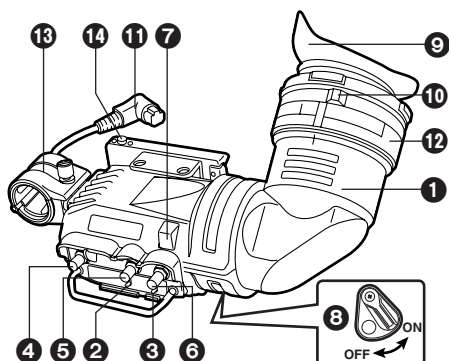
### <Note>

When UB has been selected by the DISPLAY switch, each time the HOLD button is pressed, the setting is switched in the following sequence: VTCG (VTC) → DATE → TIME → no display (time zone) → TCG (TC) and so on repeatedly.

## Time code-related switch settings and display items

TCG switch position	DISPLAY switch position	Display item
SET	TC or CTL	Time code
	UB	User bits
F-RUN or R-RUN	CTL	CTL
	TC	Time code
	UB	User bits

## 2-8 Viewfinder section



### 1 Viewfinder (optional accessory)

While recording or playback is underway, pictures can be viewed through the viewfinder in black and white. The warning displays concerning the unit's operation statuses and settings, messages, zebra patterns and markers (safety zone markers and center marker) can also be seen in the viewfinder.

### 2 ZEBRA (zebra pattern) switch

This is used to display the zebra pattern in the viewfinder.

**ON** : The zebra pattern is displayed.

**OFF** : The zebra pattern is not displayed.

### 3 TALLY switch

This is used to control the front tally lamp 7.

**HIGH**: The brightness of the front tally lamp is increased.

**OFF** : The front tally lamp is turned off.

**LOW** : The brightness of the front tally lamp is reduced.

### 4 PEAKING control

This is used to adjust the outlines of the images seen inside the viewfinder to make focusing easier. Its adjustment does not affect the output signals of the camera.

### 5 CONTRAST control

This is used to adjust the contrast of the picture seen inside the viewfinder. Its adjustment does not affect the output signals of the camera.

### 6 BRIGHT control

This is used to adjust the brightness of the picture seen inside the viewfinder. Its adjustment does not affect the output signals of the camera.

### 7 Front tally lamp

This lamp is activated when the TALLY switch 3 is set to the HIGH or LOW position, and it lights while the VTR unit is recording. It also flashes to provide a warning display like the REC lamp inside the viewfinder. The lamp's brightness (HIGH or LOW) when it is lighted can be selected using the TALLY switch.

### 8 Back tally lamp

This lamp lights while the VTR unit is recording. It also flashes to provide a warning display like the REC lamp inside the viewfinder.

When the lever is set to OFF, the back tally lamp is hidden.

### 9 Eyepiece

### 10 Diopter adjustment ring

This is adjusted in line with the camera operator's diopter in such a way that the user can see the image on the viewfinder screen most clearly.

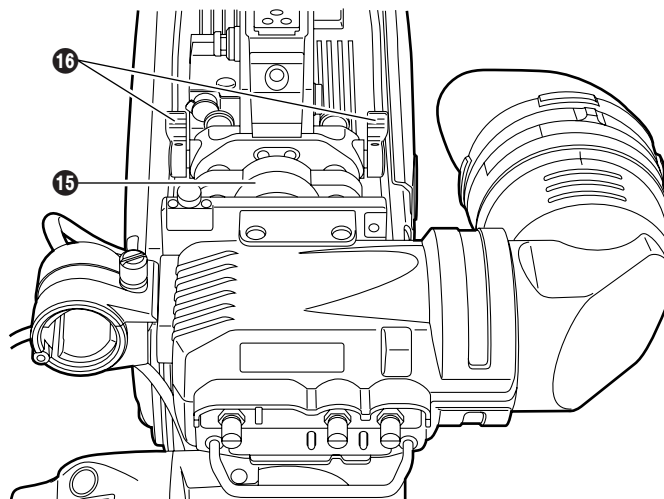
### 11 Connecting plug

### 12 Locking ring

### 13 Microphone holder

### 14 Viewfinder stopper

This is used to attach and remove the viewfinder.



### 15 Viewfinder front-back position anchoring ring

This is used to adjust the front-back position of the viewfinder.

### 16 Viewfinder left-right position anchoring ring

This is used to adjust the left-right position of the viewfinder.

### <Note>

For details, refer to "5-2 Attaching the viewfinder and adjusting its position."

# Chapter 3 Recording and playback

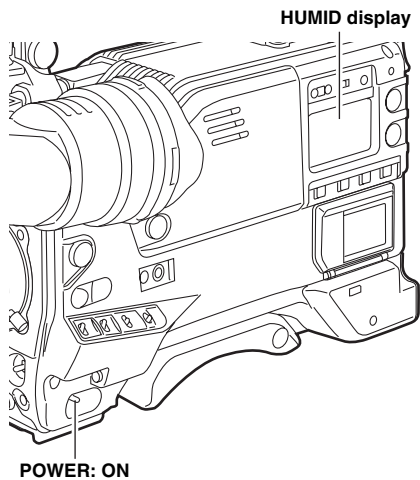
## 3-1 Cassette tapes

### Loading a cassette tape

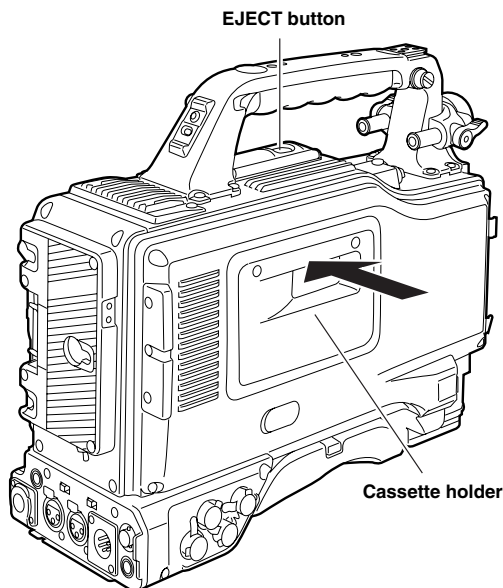
1 Set the POWER switch to ON.

**<Note>**

When condensation has formed inside the unit, the HUMID display lights. Wait until this display is cleared before proceeding with the intended operation.



2 Press the EJECT button.  
The cassette holder opens.



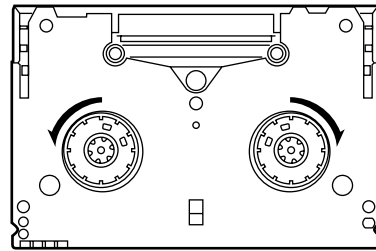
3 Insert the cassette tape and press the part marked with the arrow to close the cassette holder securely.

**<Note>**

Check that there is no slack in the tape of the cassette.

### Checking for tape slack

Gently push in the reel using your finger and turn the reel in the direction of the arrow. If the reel fails to turn, it means there is no tape slack.



### Ejecting the cassette tape

While the power is still on, press the EJECT button to open the cassette holder, and take out the cassette tape. If another cassette is not going to be loaded immediately after this tape is ejected, close the cassette holder.

### Ejecting the cassette when the battery has no charge

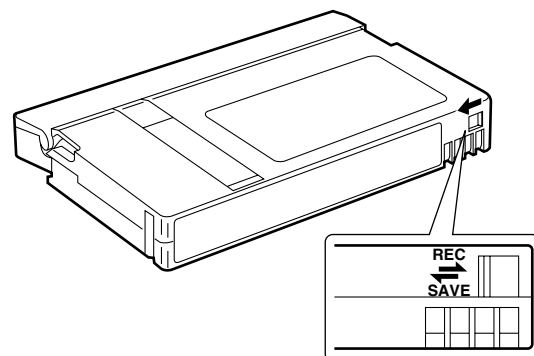
First, set the POWER switch to OFF to turn off the unit's power.

Then turn the power back on, and immediately hold down the EJECT button.

The cassette can be removed when there is still some power left in the battery. However, do not repeat this operation.

### To prevent accidental erasure

Set the cassette's tab to SAVE to prevent the recordings on the tape from being erased accidentally.



# Chapter 3 Recording and playback

## 3-2 Basic procedures

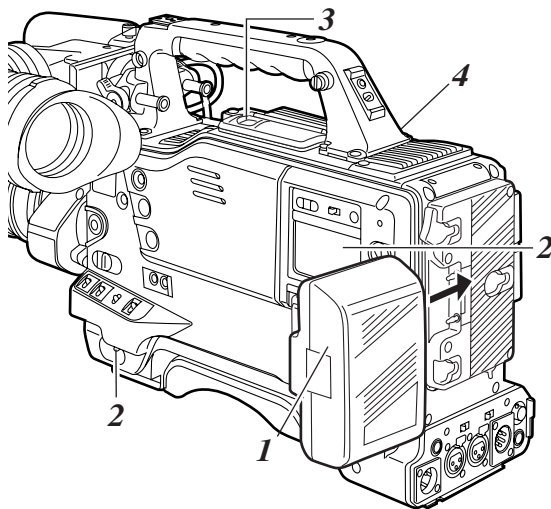
This section describes the basic steps for shooting and recording.

Before actually departing to shoot scenes, carry out inspections to ensure that the system is functioning properly.

\* For details on how to perform these inspections, refer to "6-1 Inspections prior to shooting."

### From providing the power supply to loading the cassette

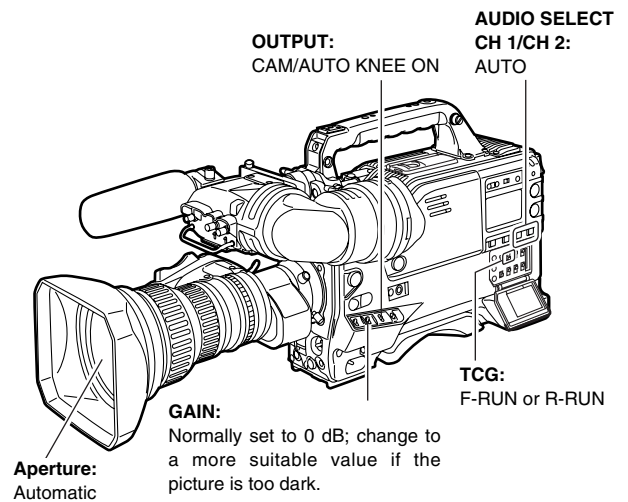
- 1 Attach a fully charged battery pack.
- 2 Set the POWER switch to ON. Now check that the HUMID display is not showing and that at least 5 segments of the remaining battery charge display are lighted.
  - If the HUMID display is showing, wait until it goes off.
  - When five or more segments of the remaining battery charge display have not lighted, first check the battery setting. If there is nothing wrong with the battery setting, replace the existing battery pack with a fully charged battery pack.
- 3 Check that there are no cables around the cassette holder or top panel, and then press the EJECT button to open the cassette holder.
- 4 After checking the following points, insert the cassette tape and close the cassette holder.
  - Position of the accidental erasure prevent tab
  - Tape slack



### Up to performing the switch settings

Provide the power supply, and load the cassette. Next, set each switch as shown in the figure below, and then proceed to operate.

Switch settings for shooting and recording





# Chapter 3 Recording and playback

## Procedure for shooting

From adjusting the white balance and black balance to stopping the recording

### From adjusting the white balance and black balance to stopping the recording

**1** Select the filter to match the lighting conditions.

**2-1** If the white balance has been stored in the memory ahead of time:

Set the WHITE BAL switch to "A" or "B."

**2-2** If the white balance and/or black balance have not been stored in the memory and there is no time to adjust the white balance:

Set the WHITE BAL switch to PRST.

The white balance for the filter is achieved in accordance with the setting position of the FILTER control (outer).

**2-3** When adjusting the white balance on the spot:

Select the filter to match the lighting conditions, set the WHITE BAL switch to "A" or "B" and adjust the white balance as follows:

- ① Press the AUTO W/B BAL switch to the AWB position and adjust the white balance.
- ② Press the AUTO W/B BAL switch to the ABB position and adjust the black balance.
- ③ Press the AUTO W/B BAL switch to the AWB position and adjust the white balance again.

\* For details on how to perform the adjustments, refer to "4-1-1 Adjusting the white balance" and "4-1-2 Adjusting the black balance."

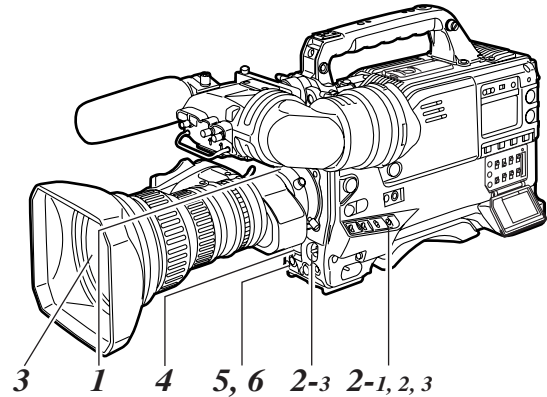
**3** Point the camera at the subject, and adjust the focus and zoom.

**4** When the electronic shutter is to be used, set the shutter speed and operating mode.

\* For further details, refer to "4-2 Setting the electronic shutter."

**5** Press the REC START button or lens VTR button to start recording.  
During recording, the REC lamp inside the viewfinder lights.

**6** To stop the recording, press the REC START button again.  
The REC lamp inside the viewfinder goes off.



#### Tape function buttons

During recording, the tape function buttons (EJECT, REW, FF, PLAY/PAUSE and STOP) will not work.



# Chapter 3 Recording and playback

## 3-3 Scene-to-scene continuity

Maintaining continuity from one scene to the next at an accuracy of +1 frame or less can be assured simply by pressing the REC START button or VTR button on the lens while the unit is in the rec-pause mode.

If the unit is in a mode other than rec-pause, the point at which the scene-to-scene continuity is to be maintained must be located before recording is started.

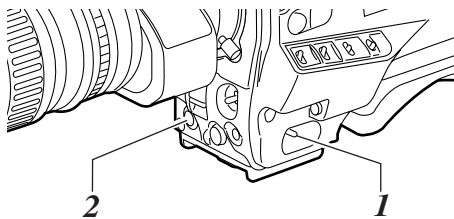
### Scene-to-scene continuity during rec-pause

The scene-to-scene continuity timing is located automatically. However, the time taken until the start of recording differs depending on the setting of the VTR SAVE/STBY switch.

- When the VTR SAVE/STBY switch is set to SAVE, recording commences about two seconds after the REC START button is pressed.
- When the VTR SAVE/STBY switch is set to STBY, recording commences as soon as the REC START button is pressed.

### Ensuring scene-to-scene continuity after the power was turned off while the unit was in the rec-pause mode

- 1 Switch the power back on.
- 2 Press the REC START button or lens VTR button to start the recording.



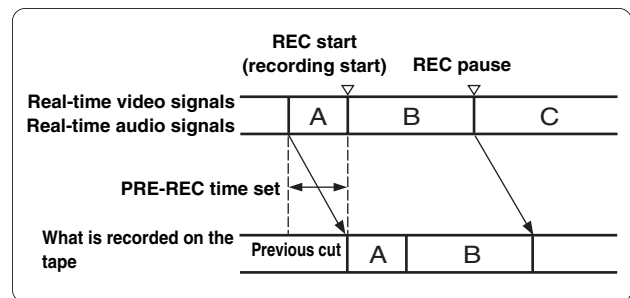
## 3-4 PRE-RECORDING function

By always storing a few seconds' worth (maximum of 10 seconds) of audio and video data shot by the camera, it is possible to record video and audio signals a number of seconds before recording is actually started by pressing the REC START button or the VTR button on the lens.

In order for this function to be used, it is necessary to open the <REC FUNCTION> screen from the SYSTEM SETTING page and set the data storage time in the memory using the PRE REC MODE item by performing menu operations.

The PRE REC MODE item settings are described below.

- OFF:** The PRE-RECORDING function is not activated.
- 0-10SEC:** A value from 0 to 10 seconds is set as the length of time for which the video and audio signals can be recorded before the REC START button or VTR button on the lens is pressed.



### <Notes>

- The data contained in the storage memory becomes unstable immediately after the power is turned on, immediately after the PRE REC MODE item setting is selected or its set time has been changed, and immediately after playback or rec-review has been performed. Immediately after any of these operations, therefore, the video and audio signals will not be pre-recorded for the duration set when recording is started by pressing the REC START button or VTR button on the lens.
- The video data and audio data are not stored in the storage memory while playback or rec-review is being performed. This means that the pre-recording will not include the video and audio signals supplied during a playback or rec-review operation.
- Bear in mind that when the ZOOM UP function is activated during the time set for pre-recording as a focus assist function in the progressive mode, the zoomed-in image will remain in the memory and end up being recorded on the tape.
- When recording has been started, the time code (TCG) display may remain in the hold status until it is possible for the time code (TCR) on the tape to be read.

# Chapter 3 Recording and playback

## 3-5 INTERVAL REC function

This unit enables recording in intervals with a minimum recording time in increments of one frame to be conducted. In order for this function to be used, it is necessary by performing menu operations to open the <REC FUNCTION> screen from the SYSTEM SETTING page, select the interval recording mode using the INTERVAL REC MODE item, and set the recording time (REC TIME), interval pause time (PAUSE TIME) and time required for shooting (TOTAL TAKE TIME). Upon completion of the settings, the total shooting time (TOTAL REC TIME) is automatically calculated and displayed.

The INTERVAL REC MODE item settings are described below.

**OFF:** Interval recording is not performed.

**ON:** Interval recording is performed.

**ONE SHOT:**

One-shot interval recording is performed for the time which was selected by the REC TIME setting.

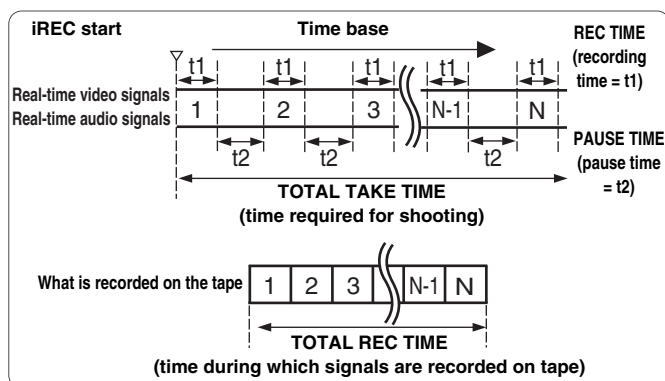
### Procedure for shooting in the ON modes of INTERVAL REC

**1** After performing the basic operations for shooting and recording as set forth in "3-2 Basic procedures," secure the unit in such a way that it will not move.

**2** Press the unit's REC START button or the VTR button on the lens. Interval recording now starts. When the set TOTAL TAKE TIME has elapsed, recording is ended automatically.

As mentioned in "2-7 Display window and its displays," "i" flashes when the INTERVAL REC mode is selected. As soon as recording starts, "iREC" lights. During rec-pause, "iREC" flashes. Exactly what mode is established in the unit can be ascertained by observing these displays.

The same displays as the ones in the display window also appear inside the viewfinder, and the TALLY lamp lights while recording is underway. Further, when the pause time has been set to 2 minutes or more, the tally lamp blinks at 5 second intervals to inform the operator. Further, when pause time has been set to 2 minutes or more, the tally lamp blinks at 5 second intervals to indicate when recording is paused. Under these conditions, the tally lamp will also flash 3 seconds before recording starts.



### When recording is to be suspended at any time

Press the STOP button. Recording is now suspended.

- The tape may continue to run since the unit will record the images stored in the memory until the moment when the button is pressed.

### When the recording is to be continued

Press the unit's REC START button or VTR button on the lens once more. Interval recording is now started again.

### When the INTERVAL REC mode is to be exited

There are two ways to do this.

- 1) Set the unit's POWER switch to OFF.
- 2) Perform a menu operation and select OFF as the INTERVAL REC MODE item setting.

### Procedure for shooting in the ONE SHOT mode

Follow the procedure below for shooting after the settings for the interval recording mode have been completed.

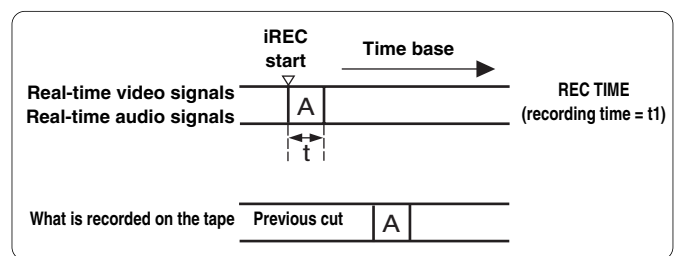
**1** After performing the basic operations for shooting and recording as set forth in "3-2 Basic procedures," secure the unit in such a way that it will not move.

**2** Press the unit's REC START button or the VTR button on the lens. When the set REC TIME has elapsed, the recording is ended automatically.

As mentioned in "2-7 Display window and its displays," "i" flashes when the INTERVAL REC mode is selected. As soon as recording starts, "iREC" lights.

When the recording ends, "iREC" flashes.

The same displays as the ones in the display window also appear inside the viewfinder, and the TALLY lamp lights while recording is underway.



# Chapter 3 Recording and playback

## When the recording is to be continued

Press the unit's REC START button or VTR button on the lens once more. One-shot recording is now started again.

## When the ONE SHOT mode of INTERVAL REC is to be exited

There are two ways to do this.

- 1) Set the unit's POWER switch to OFF.
- 2) Perform a menu operation and select OFF as the INTERVAL REC MODE item setting.

## Checkpoints common to all INTERVAL REC modes

### • Sound-related

Whether the sound is to be recorded or not during interval recording is set by setting ON or OFF for the AUDIO REC item on the <REC FUNCTION> screen.

### • Tape function button-related

During interval recording, all the tape function buttons (EJECT, REW, FF and PLAY/STILL) except STOP do not work.

- The PRE RECORDING function does not work in the INTERVAL REC mode.

### • Starting recording quickly when unit is in pause mode

Selecting REC as the setting for one of either USER MAIN or USER1/USER2 buttons in advance enables quick start recording during pause mode when the set button is pressed. Measurement of pause mode time is continued even after quick start recording.

### • When the unit's power was turned off during recording

If the unit's POWER switch was set to the OFF position during interval recording with the use of the memory, the tape will continue to run in order to record the video signals which were stored in the memory until the moment when the POWER switch was set to OFF, and then the power will automatically go off.

If the battery was removed, the DC cable was disconnected or the power supplied through the AC adapter was cut off during recording, those shots (up to 5 seconds) taken prior to the moment concerned may not be recorded. Bear this in mind when the battery is to be replaced.

### • When the tape has run out during recording

Bear in mind that if the tape has run out and stops during interval recording with the use of the memory, those shots (up to 5 seconds) taken prior to the moment when the tape stopped may not be recorded.

- If a PLAY, FF or REW operation is performed after one-shot recording, the operation will be performed after the images remaining in the memory are written on the tape.

While the images are being recorded, the LED of the button pressed (for play, FF or REW operation) will flash.

### • Concerning the time code display

When recording has been started, the time code (TCG) display may remain in the hold status until it is possible for the time code (TCR) on the tape to be read.

- After turning the power ON, inserting a tape, or pressing PLAY/FF/REW, the first recording made with INTERVAL REC (including ONE SHOT mode) will be about 1 second longer than the time set in the REC TIME menu option. This is to guarantee the quality of consecutive recordings and is not a defect.

## 3-6 RETAKE function

The RETAKE function ensures continuity with the previous cut on the tape when shooting is resumed.

It is set by opening the <REC FUNCTION> screen from the SYSTEM SETTING page and selecting ON as the setting for the RETAKE MODE item by performing menu operations.

The RETAKE MODE item settings are described below.

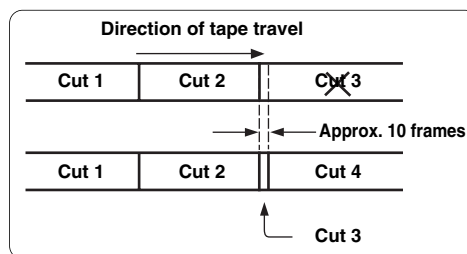
**ON:** The retake operation is performed when the RET button on the lens is pressed while the MODE CHECK button is held down.

**OFF:** The RETAKE function does not operate.

If, when the rec-pause mode is established upon completion of the recording or the stop mode is established afterwards, the RET button on the lens is pressed while the MODE CHECK button is held down, the tape will be rewound to the approximate start point (a position advanced by 10 or so frames from the recording start) of the final image that was last recorded, and the rec-pause mode will be established.

If there is some leeway in the shooting time and a "NG" condition has been clearly identified, recording can be started from this point, and the cut in the NG area will be deleted.

This function is particularly useful for cutting the amount of time taken for copying onto work tapes and other such economical operations.



## When the RETAKE function is to be exited

There are two ways to do this.

- 1) Set the unit's POWER switch to OFF.
- 2) Perform a menu operation and select OFF as the RETAKE MODE item setting.

# Chapter 3 Recording and playback

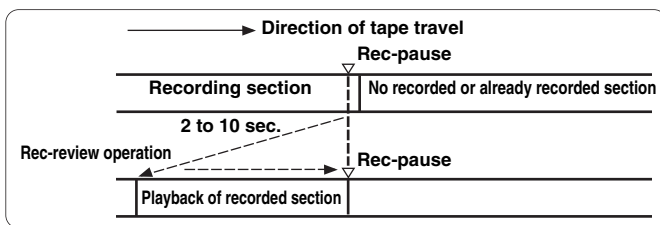
## 3-7 Rec-review function

When recording is temporarily stopped and the lens RET button is pressed, the last two seconds of the tape are automatically rewound, and the playback pictures on this part of the tape appear on the viewfinder screen. This makes it possible to check whether recording was performed properly. After the two seconds of the tape have been played back, the unit is again set to the recording start standby mode. If the RET button is held down, a maximum of 10 seconds of the tape is rewound and played back.

The RET button function can be allocated by opening the <USER SW> screen from the OPERATION page and selecting settings for the USER MAIN SW, USER1 SW and USER2 SW items by performing menu operations.

### <Notes>

- The rec-review function cannot be used unless recording lasts for one or more seconds.
- If the OUTPUT SEL switch on the side panel is at the VTR position during the rec-review operation, the rec-review images are output not only to the viewfinder but to the video output connectors (VIDEO OUT connector and HD SDI connector) as well. Bear in mind that if back-up images are being recorded by a backup VTR that has been connected, these rec-review images will end up being recorded.



## 3-8 Normal playback and playback at different speeds

Black-and-white playback images can be viewed in the viewfinder by pressing the PLAY button. When a color monitor is connected to the unit's VIDEO OUT connector and an HD color video monitor is connected to its HD SDI connector at the same time, the down-converted color playback images from the VIDEO OUT connector can be viewed on the color monitor while the HD high-quality images from the HD SDI connector can be viewed on the HD color video monitor.

- In order to view these images, the OUTPUT SEL switch on the side panel must be set to the VTR position.

In addition, when the FF and REW buttons are used, the images can be played back at different speeds by establishing the cue mode (PLAY + FF), review mode (PLAY + REW), high-speed fast forward playback mode (FF) or high-speed rewind playback mode (REW).

# Chapter 4 Adjustments and settings for recording

In order to achieve images with a consistently high picture quality with this unit, it is necessary to adjust the black balance and white balance as the individual conditions demand. To achieve a higher picture quality, it is recommended that the adjustments be performed in the following sequence: AWB (white balance adjustment) → ABB (black balance adjustment) → AWB (white balance adjustment).

## 4-1 Adjusting the white balance and black balance

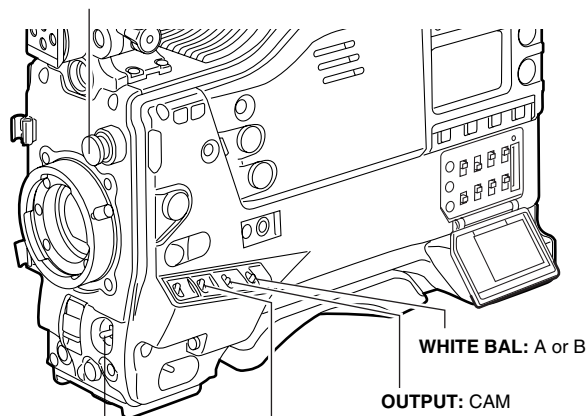
### 4-1-1 Adjusting the white balance

The white balance must always be re-adjusted when the lighting conditions have changed.

The white balance is adjusted automatically by following the steps below.

**1** Set the switches as shown in the figure.

**CC FILTER/ND FILTER controls**



**AUTO W/B BAL switch:** Use this to execute AWB.

**GAIN: Normally 0 dB**  
Set to a more suitable gain level if it is too dark.

**2** Select the CC FILTER/ND FILTER controls setting in accordance with the lighting conditions.

**<Note>**

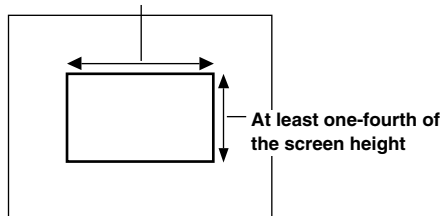
For examples of the FILTER controls settings, refer to “2-3 Shooting and recording/playback function section.”

**3** Erect a white pattern at a place with the same conditions as the source of light illuminating the subject, zoom in, and shoot the white of the pattern on the screen. A white object (such as a white cloth or white wall) near the subject may be used as a substitute for the white pattern. The size of the white object required is shown in the figure below.

**<Notes>**

- Take care to keep high-brightness spots off the screen.
- Shoot white objects in the center of the screen.

At least one-fourth of the screen width



**4** Adjust the lens aperture.

**5** Set the AUTO W/B BAL switch to AWB, and then release it.

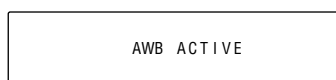
The switch returns to the center, and the white balance is automatically adjusted.

**<Note>**

When the AUTO W/B BAL switch is pressed again to the AWB side when the white balance is being adjusted automatically (AWB ACTIVE), the adjustment operation will stop.

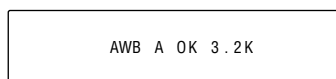
The adjusted value in this case is the value before automatic adjustment was performed.

**6** While the adjustment is in progress, the following message appears on the viewfinder screen.



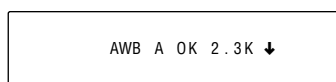
**7** Adjustment is completed in several seconds. (A message similar to the one shown in the figure below now appears.)

The adjustment value is automatically saved in the memory (A or B) which was set in step 1.



**8** The message shown in the figure below appears when the color temperature of the subject falls below 2300 K or rises above 5600 K.

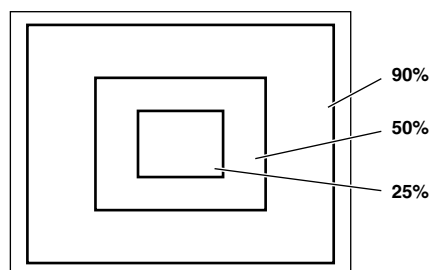
The downward pointing arrow indicates that the color temperature is lower than the display temperature; conversely, an upward pointing arrow indicates that it is higher than the display temperature.



### White balance detection area

The white balance detection area setting can be changed to 90%, 50% or 25% by opening the <WHITE BALANCE MODE> screen from the OPERATION page and selecting the desired setting for the AWB AREA item by performing menu operations.

The factory setting is 25%.



## Chapter 4 Adjustments and settings for recording

### When there is no time to adjust the white balance

Set the WHITE BAL switch to PRST. The white balance for the filter is achieved in accordance with the setting position of the FILTER control (outer).

### Viewfinder screen displays relating to the white balance

For details, refer to “4-7 Viewfinder screen status displays.”

### When the white balance cannot be adjusted automatically

When the white balance adjustment was not completed correctly, one of the following error messages will appear on the viewfinder screen. When an error message is displayed, take the recommended action, and try adjusting the white balance again. If the error message persists even after repeated attempts, the inside of the unit must be inspected. For details, contact your nearest service center or your dealer.

#### Messages relating to white balance adjustment

Error message	Meaning	Recommended action
COLOR TEMP. HIGH	Color temperature is too high.	Select a suitable filter.
COLOR TEMP. LOW	Color temperature is too low.	Select a suitable filter.
LOW LIGHT	There is not enough light.	Increase the amount of light or increase the gain.
LEVEL OVER	There is too much light.	Reduce the amount of light or reduce the gain.
CHECK FILTER	The setting position of the filter selector control is not correct.	Check the filter selector control.
TIME OVER	AWB was not completed within the allotted time.	The shooting conditions may be unstable. If flicker occurs, engage the shutter and shoot again under stable conditions.

### White balance memories

The values stored in the memories are retained even after the unit's power has been turned off until the white balance is next adjusted. There are two sets of white balance memories, A and B.

When ON has been selected (initial setting) as the setting for the FILTER INH item on the <WHITE BALANCE MODE> screen opened from the OPERATION page by performing menu operations, the number of memories is limited to one in A and one in B. In this case, the memory contents are not coupled with the CC filter.

When FILTER INH is set to OFF, the adjustment values for each CC filter can be automatically saved in the memories corresponding to the WHITE BAL switch settings (A or B). This unit contains four filters so that a total of 8 (4×2) adjustment values are saved.

Note that when VAR has been selected for AWB A and AWB B items of the <WHITE BALANCE MODE> screen, the values will be the fixed color temperature settings established with the COLOR TEMP A and COLOR TEMP B settings and they cannot be adjusted using the AWB switch.



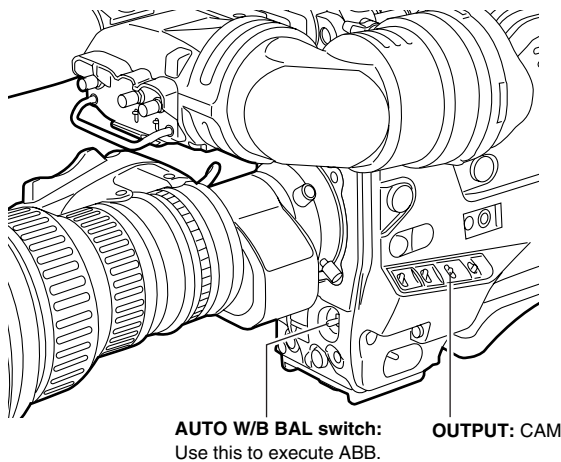
# Chapter 4 Adjustments and settings for recording

## 4-1-2 Adjusting the black balance

The black balance needs to be adjusted in the following cases:

- When the unit is used for the first time
- When the unit is used after it has not been used for a prolonged period of time
- When the unit is used in an ambient temperature which has fluctuated significantly
- When the value selected for the gain switch has been changed
- When the super gain setting has been performed using the USER MAIN, USER1 or USER2 button
- When the gamma ON/OFF setting has been changed

1 Set the switches as shown in the figure.



2 Set the AUTO W/B BAL switch to the ABB position, and then release it. The switch returns to the center, and the adjustment is performed.

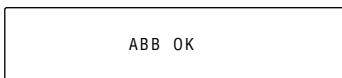
3 While the adjustment is in progress, the following message appears on the viewfinder screen.



**<Note>**

While the adjustment is in progress, the lens aperture is automatically set to CLOSE.

4 Adjustment is completed in several seconds. (A message similar to the one shown in the figure below now appears.) The adjustment value is automatically saved in the memory.



**<Notes>**

- Check that the lens connector has been connected and that the lens aperture is set to CLOSE.
- While the black balance is being adjusted, the aperture is automatically set to the light-shielding status.
- While the black balance is being adjusted, the gain selector circuit is switched automatically. Flicker or noise may appear on the viewfinder screen, but this is not indicative of malfunctioning.
- If the black shading is still unsatisfactory although the "ABB OK" message is displayed, perform menu operations to open the <BLACK SHADING> screen from the MAINTENANCE page, move the arrow mark (→) to the DETECTION item, press the JOG dial button, and proceed with the black shading adjustment. If the ABB switch is held down for 5 or more seconds, the black shading can be automatically adjusted after the ABB operation. (See the SHD.ABB SW CTL item under "7-5-5 SW MODE.")
- If the AUTO W/B BAL switch is pushed down to the ABB position again while the black balance is being automatically adjusted (ABB ACTIVE), the adjustment will be aborted. The adjusted value in this case is the value before automatic adjustment was performed.

**Black balance memory**

The values stored in the memory are retained even after the unit's power has been turned off.



# Chapter 4 Adjustments and settings for recording

## 4-2 Setting the electronic shutter

This section describes the unit's electronic shutter, its settings and operations.

### 4-2-1 Shutter modes

The table below lists the shutter modes in which the unit's electronic shutter can be used as well as the shutter speeds which can be selected.

Mode	Shutter speed	Applications
Standard	POSITION1 - 6	For shooting fast-moving subjects clearly.
SYNCHRO SCAN	When the camera mode is 50i Within the 50.2 Hz to 209.4 Hz range When the camera mode is 25P Within the 25.2 Hz to 209.4 Hz range	For shooting monitor screens in a way that minimizes the pattern of horizontal lines.

#### <Notes>

- No matter in which mode the electronic shutter is used, the higher the shutter speed, the lower the camera's sensitivity.
- When the aperture is in the automatic mode, it will increasingly open and the depth of focus will become shallower as the shutter speed is increased.

### 4-2-2 Setting the shutter mode and speed

The shutter speeds used in the shutter mode are set by switching the SHUTTER switch.

The shutter speeds in the SYNCHRO SCAN mode can easily be changed using the SYNCHRO SCAN (+ and -) buttons on the side panel.

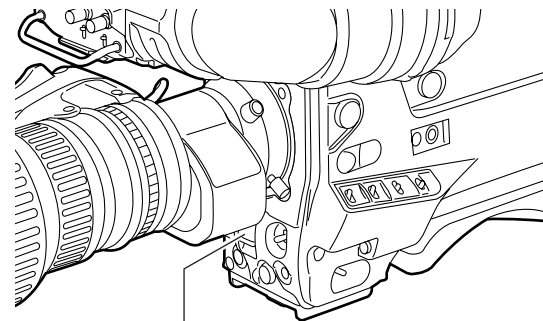
Open the <SHUTTER SPEED> screen and <SHUTTER SELECT> screen from the OPERATION page by performing menu operations. It is now possible to restrict the shutter speed selection range to the required range beforehand and/or select whether to use the SYNCHRO SCAN mode and SUPER V mode beforehand.

Once selected, the shutter speed is retained even after the unit's power has been turned off.

```
→ < SHUTTER SPEED >
SYNCHRO SCAN : ON
POSITION 1   : ON
POSITION 2   : ON
POSITION 3   : ON
POSITION 4   : ON
POSITION 5   : ON
POSITION 6   : ON
```

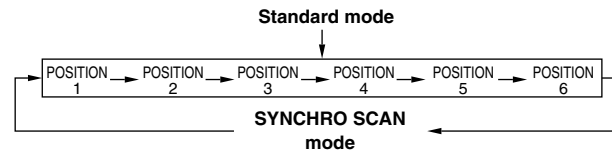
```
→ < SHUTTER SELECT >
POSITION1 SEL : 1 / 60
POSITION2 SEL : 1 / 120
POSITION3 SEL : 1 / 250
POSITION4 SEL : 1 / 500
POSITION5 SEL : 1 / 1000
POSITION6 SEL : 1 / 2000
```

**1** Press the SHUTTER switch from ON to SEL.



**2** Press the SHUTTER switch to the SEL position again, and repeat this until the desired mode or speed is displayed.

When all the modes and speeds are displayed, the display will change in the sequence shown below.



#### Viewfinder screen displays relating to the shutter

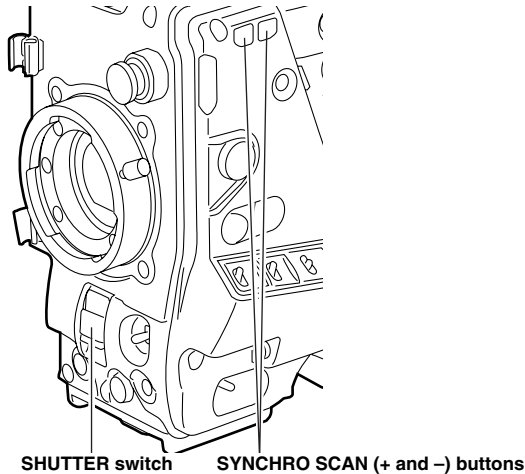
For details, refer to "4-7 Viewfinder screen status displays."

# Chapter 4 Adjustments and settings for recording

## 4-2-3 Setting the synchro scan mode

Proceed with operation by following the steps below.

- 1 Press the SHUTTER switch from ON to SEL to establish the SYNCHRO SCAN mode.



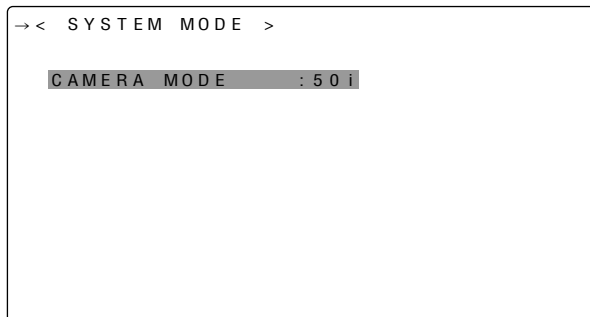
- 2 In the SYNCHRO SCAN mode, it is possible to change the shutter speed continuously within a range from 1/50.2 sec. to 1/209.4 sec. (50i mode) by operating the SYNCHRO SCAN (+ and -) buttons.

## 4-3 Selecting the recording signals and recording system

With this unit, both the signals to be recorded and the recording format can be selected.

### 4-3-1 Selecting the recording signals

Open the <SYSTEM MODE> screen from the SYSTEM SETTING page and select the signals to be recorded using the CAMERA MODE item by performing menu operations.



#### Items to be set and what is set

Using the CAMERA MODE item, the operation mode of the camera to be used for recording is selected.

- 50i:** The unit's camera is operated in the 50i mode.
- 25P:** The unit's camera is operated in the 25P mode.

#### <Notes>

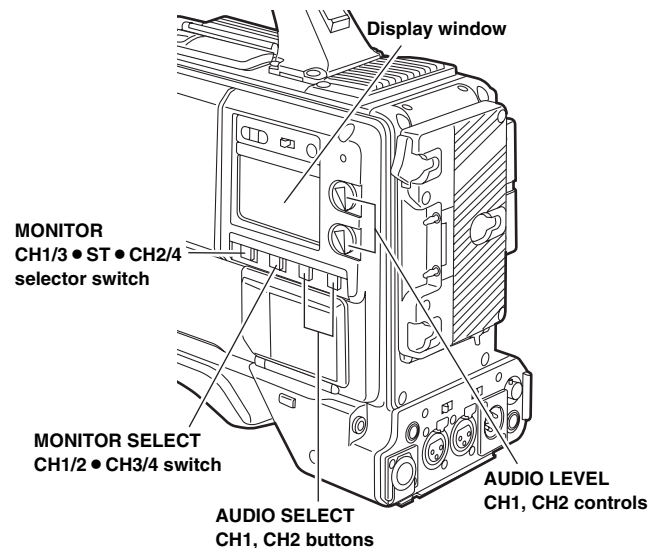
- When 25P has been selected and the camera is used, the images produced will be 25P segment frame images, so true 25P editing will be possible.
- In the 25P mode, the shutter is forcibly set to 50% (1/50 sec) to produce more film-like moving images. To release the shutter mode, it is necessary by performing menu operations to open the <OPTION> screen and select OFF as the P.HALF SHUT item setting. However, this should be done carefully since the dynamic range will be halved in the process.

## 4-4 Selecting the audio input signals and adjusting their recording levels

When the AUDIO SELECT CH1/CH2 switch is set to AUTO, the recording levels on audio tracks CH1 and CH2 are adjusted automatically. On the other hand, when it is set to MAN, the levels can be adjusted manually. The recording levels on audio tracks CH3 and CH4 can be selected using the menu.

### 4-4-1 Selecting the audio input signals

Use the AUDIO IN switch to select the input signals to be recorded on audio tracks CH1, CH2, CH3 and CH4. For details, refer to "2-2 Audio function section."



# Chapter 4 Adjustments and settings for recording

For the detailed audio-related settings, open the <MIC/AUDIO1> and <MIC/AUDIO2> screens from the VTR MENU page and select the settings for the items by performing menu operations.

For details, refer to “Chapter 7 Menu description tables.”

```

->< MIC / AUDIO 1 >

FRONT VR CH1      : OFF
FRONT VR CH2      : OFF
MIC LOWCUT CH1    : OFF
MIC LOWCUT CH2    : OFF
MIC LOWCUT CH3    : OFF
MIC LOWCUT CH4    : OFF
LIMITER CH1       : OFF
LIMITER CH2       : OFF
AUTO LEVEL CH3    : ON
AUTO LEVEL CH4    : ON
REC CH3/CH4       : SW
CUE REC SELECT    : CH1
TEST TONE         : NORMAL
    
```

```

->< MIC / AUDIO 2 >

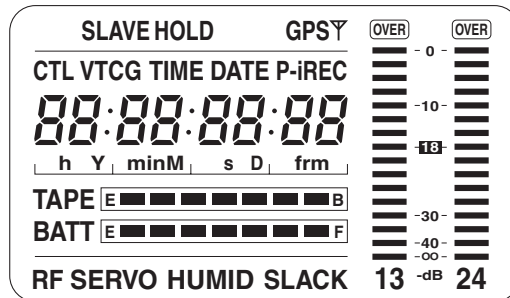
FRONT MIC POWER    : ON
REAR MIC POWER     : ON
AUDIO OUT          : ON
MONITOR SELECT     : STEREO
FRONT MIC LEVEL    : -40dB
REAR MIC CH1 LVL   : -60dB
REAR MIC CH2 LVL   : -60dB
REAR LINE IN LVL   : 0dB
AUDIO OUT LVL      : 0dB
HEADROOM           : 18dB
WIRELESS WARN      : OFF
    
```

## 4-4-2 Adjusting the audio signal recording levels

The procedure for manually adjusting the levels at which the signals are to be recorded on audio tracks CH1 and CH2 is set forth below.

- 1 Set the MONITOR SELECT switch to the CH1/2 position so that the audio level meter display in the display window indicates CH1 and CH2, and check that 1 and 2 are actually indicated as the display in the display window. Before proceeding any further, on the menu, set whether to activate the F.AUDIO LEVEL controls which are used for attenuation. (At the factory, the mode in which these controls are inactive is established.)
- 2 Set the AUDIO SELECT CH1 and CH2 buttons to MAN (manual).
- 3 While monitoring the audio level meter in the display window or the audio level meter display inside the viewfinder, adjust the AUDIO LEVEL CH1 and CH2 controls. If the uppermost bar (0 dB) is exceeded, the “OVER” display lights up to indicate that the input volume is too high. The level must be adjusted so that 0 dB will not be indicated even under maximum volume conditions.

Audio level meter in display window



Audio level meter display inside viewfinder



For the audio levels to be adjusted by one person only, it is recommended that the F.AUDIO LEVEL controls be used.

Select in advance the audio channels whose levels are to be adjusted, and while monitoring the level meter on the viewfinder screen, adjust the F.AUDIO LEVEL controls in such a way that the input will not be too high.

## 4-4-3 CH3 and CH4 recording levels

Audio signals can be recorded separately for four audio channels. Perform menu operations to open the <MIC/AUDIO1> screen from the VTR MENU page to change the settings for the AUTO LEVEL CH3 and AUTO LEVEL CH4. Depending on the setting conditions and input level for these items, recording levels for audio tracks CH3 and CH4 change as shown in the table below. Note that adjustments cannot be performed manually.

AUTO LEVEL CH3/CH4*	Input level	
	LINE	MIC
ON	AGC ON	AGC ON
OFF	AGC/LIMITER OFF	LIMITER ON

**<Note>**

The DVCPRO HD EX format allows signals for 8 audio channels to be recorded, but the same signals as CH1, CH2, CH3 and CH4 will be recorded for CH5, CH6, CH7 and CH8, respectively.

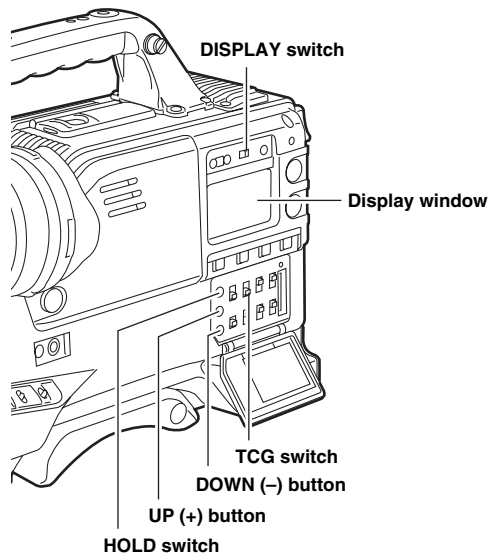
# Chapter 4 Adjustments and settings for recording

## 4-5 Setting the time data

The time code setting range extends from 00:00:00:00 to 23:59:59:29.

### 4-5-1 Setting the user bits

Memos and other information with up to 8 digits (dates, times) in hexadecimal notation can be recorded on the sub code track by setting the user bits.



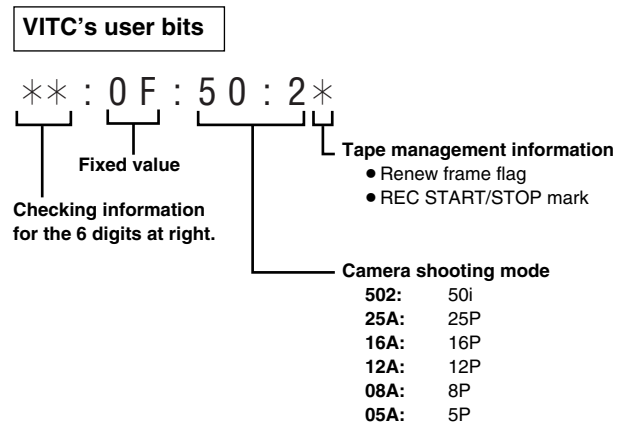
### Tape continuity with the user bits

Selecting REGEN for the UB MODE item on the <TC/UB> screen by performing menu operations will call up the user bits recorded on the tape, making it possible to continue recording from that value. However, it is not possible to record the contents that were set.

#### <Note>

The time code/user bits are also recorded in the VIDEO AUX area of the unit's memory. The time code (VITC) is the same value as the sub code area's time code (LTC). The user bit (VITC user bit) can be selected by menu operations using the VITC UB MODE item on the <TC/UB> screen which is accessed from the VTR MENU page, and it can be used for different applications from the LTC.

Special information such as the camera's frame rate is recorded in the user bits (VITC's user bits).



- 1 Set the DISPLAY switch to UB.
- 2 Set the TCG switch to SET.
- 3 Set the user bits using the SHIFT button, UP (+) button and DOWN (-) button.  
**SHIFT button:** This is used to cause the digit that is to be set to flash. Each time it is pressed, the flashing digit moves to the right.  
**UP (+) button:** This increments the numerical value of the flashing digit by 1.  
**DOWN (-) button:** This decrements the numerical value of the flashing digit by 1.
- 4 Set the TCG switch to F-RUN or R-RUN.
- 5 Open the <TC/UB> screen from the VTR MENU page and select USER as the UB MODE item setting by performing menu operations.

### User bit memory function

The user bit settings (except for the actual time) are automatically saved in the memory and retained even after the power is turned off.

# Chapter 4 Adjustments and settings for recording

## 4-5-2 Setting the internal clock's date and time

- 1 Set the DISPLAY switch to UB.
- 2 Press the HOLD button to cause DATE to be displayed in the display window.
- 3 Set the TCG switch to SET.
- 4 Set the date (year/month/day) using the SHIFT button, UP (+) button and DOWN (-) button.
- 5 Press the HOLD button to cause TIME to be displayed in the display window.
- 6 Set the time (hour/minutes/seconds) using the SHIFT button, UP (+) button and DOWN (-) button.
- 7 Set the TCG switch to F-RUN or R-RUN. The internal clock starts marking time as soon as the switch position is changed.
- 8 Press the HOLD button to cause TIME ZONE (difference from the world standard time) to be displayed in the display window.
- 9 Set the TCG switch to SET.
- 10 Set the time difference (hour/minutes) and whether it is ahead (no display) or behind ("-" display) the world standard time using the UP (+) button or DOWN (-) button.  
 Example: When the time difference is 5 hours behind (New York)  
 Set "05:00 -".  
 The time zone is always stored along with the date and time in the memory as memo data. While referring to the table on the right, set whatever applies to the local time.
- 11 Set the TCG switch to F-RUN or R-RUN to fix the time zone.

Time difference	Region	Time difference	Region
00:00	Greenwich	- 00:30	
- 01:00	Azores	- 01:30	
- 02:00	Mid-Atlantic	- 02:30	
- 03:00	Buenos Aires	- 03:30	New Foundland
- 04:00	Halifax	- 04:30	
- 05:00	New York	- 05:30	
- 06:00	Chicago	- 06:30	
- 07:00	Denver	- 07:30	
- 08:00	Los Angeles	- 08:30	
- 09:00	Alaska	- 09:30	Marquesas Islands
- 10:00	Hawaii	- 10:30	
- 11:00	Midway Island	- 11:30	
- 12:00	Kwajalein	+ 11:30	Norfolk Island
+ 13:00		+ 10:30	Lord Howe Island
+ 12:00	New Zealand	+ 09:30	Darwin
+ 11:00	Solomon Islands	+ 08:30	
+ 10:00	Guam	+ 07:30	
+ 09:00	Tokyo	+ 06:30	Rangoon
+ 08:00	Beijing	+ 05:30	Bombay
+ 07:00	Bangkok	+ 04:30	Kabul
+ 06:00	Dhaka	+ 03:30	Tehran
+ 05:00	Islamabad	+ 02:30	
+ 04:00	Abu Dhabi	+ 01:30	
+ 03:00	Moscow	+ 00:30	
+ 02:00	Eastern Europe	+ 12:45	Chatham Island
+ 01:00	Central Europe		

### <Notes>

- After the date has been set in step 4, the internal clock starts marking the time as soon as the switch position has been changed even when the TCG switch is set to F-RUN or R-RUN.  
 To cancel the setting in the course of setting the date, time or time zone, set the TCG switch to F-RUN or R-RUN while holding down the SHIFT button.
- The clock is accurate to a monthly error of approximately +/- 30 seconds in the power OFF status. If a more accurate time reading is required, check the time and set it again when the power is turned on.  
 When the AJ-GPS900G GPS unit is installed and the time can be received, the internal clock's time (local date/time) is kept accurate on the basis of the received time (world standard time) and time zone. If the date or time display has deviated from the local time, the time zone setting may be off. Check the time zone setting again. (There is no need to set the date and time again.)

# Chapter 4 Adjustments and settings for recording

## 4-5-3 Setting the time code

- 1 Set the DISPLAY switch to TC.
- 2 Set the TCG switch to SET.
- 3 Set the time code using the SHIFT button, UP (+) button and DOWN (-) button.
- 4 Select the TCG switch position.  
Select "F-RUN" to advance the time code in the free-run mode or select "R-RUN" to advance it in the rec-run mode.

### Time code when the battery is replaced

The backup function works even when the battery is replaced, and the time code generator continues to operate for a prolonged duration (approx. 1 year).

#### <Note>

If the POWER switch is turned on, then off, and then on again, the free-run time code backup accuracy is approximately  $\pm 2$  frames.

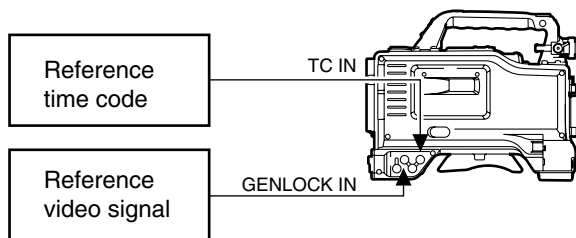
## 4-5-4 Externally locking the time code

The unit's internal time code generator can be locked to an external generator. In addition, the time code generator of an external VTR can be locked to the unit's internal generator.

### Example of connections for external locking

As the figure shows, connect both the reference video signal and reference time code.

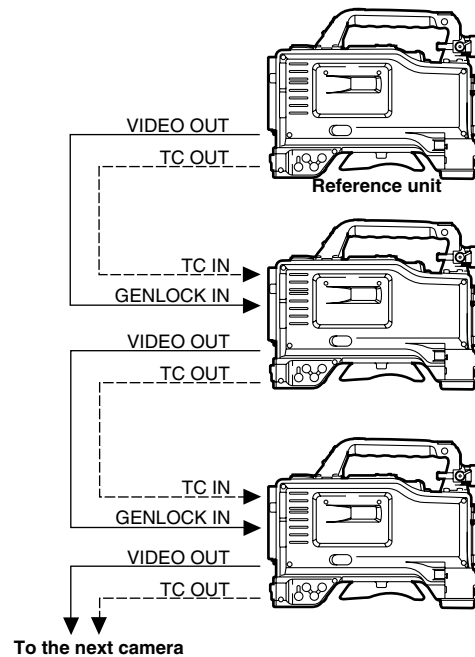
**Example 1:** When locking onto an external signal



#### <Note>

In place of the HD Y reference signal, PAL composite video signals can be input as the reference video signal.

**Example 2:** When connecting a multiple number of units and using one of them as the reference unit



#### <Note>

When configuring a system using a multiple number of units, perform menu operations to open the <GENLOCK> screen from the SYSTEM SETTING page, and select DOWNCON as the GL PHASE item setting. This enables the phases of the down-converted output from the VIDEO OUT connector and the time code to be brought into alignment.

### Operating procedure for external locking

Follow the steps below for external locking.

- 1 Set the POWER switch to ON.
- 2 Set the TCG switch to F-RUN.
- 3 Set the DISPLAY switch to TC.
- 4 Supply the reference time code and reference video signal, which are in a phase relationship that satisfies the time code standard, to the TC IN connector and GENLOCK IN connector respectively.

The built-in time code generator is now locked to the reference time code.

About 10 seconds after locking, the external lock status will be retained even if the connection of the externally supplied reference time code is disconnected. However, the servo lock will be subject to disturbances if it is connected or disconnected during recording.



# Chapter 4 Adjustments and settings for recording

## <Notes>

- When the external lock operation is performed, the time code is instantly locked to the external time code, and the same value as the external code value appears on the counter display. Do not set the unit to the recording mode during the few seconds it takes for the sync generator to stabilize.
- The images may be disrupted during the instant when external locking is performed. This happens because the 5-frame period is adjusted, and it does not mean that the unit is malfunctioning.

## Concerning the user bit setting during external lock

When the unit's time code is externally locked, only the time data is locked to the time data of the time code supplied from the external source. This means that the user bits can be set separately for each component.

When the <TC/UB> screen is opened from the VTR menu page and EXT is selected as the UB MODE item setting by performing menu operations, the user bits can also be locked to the user bits of the time code supplied from the external source.

## To release the external lock

First stop supplying the external time code, and set the TCG switch to R-RUN.

## When switching the power from the battery to an external power supply while the time code is externally locked

In order to ensure the continuity of the time code generator's power, connect the external power supply to the DC IN connector, and then remove the battery pack. If the battery pack is removed first, no guarantees can be made for the continuity of the external locking of the time code.

## Gen-locking of the camera unit while the time code is externally locked

While the time code is externally locked, the camera unit is gen-locked by the reference video signal which is supplied to the GEN LOCK IN connector.

## <Notes>

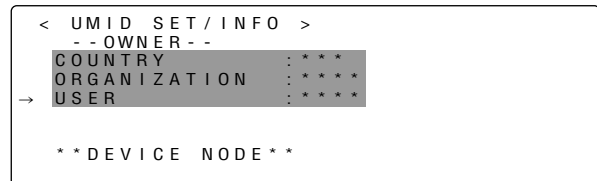
- When the signal from the unit's HD SDI connector is to be used as the reference video signal, first set the OUTPUT SEL switch on the side panel to the CAM position.
- It takes time to synchronize GEN LOCK. Please do not record or do any other operations until synchronization is finished.

## 4-5-5 Setting the UMID information

This unit supports metadata UMIDs. As the UMID data, the user must first set the name of his or her country (with 3 or fewer characters), the name of the company or organization (with 4 or fewer characters), and the user name (with 4 or fewer characters). Input the name of the country based on the Country Codes (\*1) stipulated under the ISO 3166 standard. Given here as an example is the procedure for inputting the user name.

### \*1 Examples:

CHN for China, USA for United States, CAN for Canada, and JPN for Japan



- 1 Open the <UMID SET/INFO> screen from the VTR menu page by performing a menu operation.
  - 2 Turn the JOG dial button to move the arrow (cursor) to the "USER" item.
  - 3 When the JOG dial button is pressed, the arrow (cursor) moves to the USER input area, and the input mode is established.
  - 4 Press the JOG dial button again and turn it until the character to be set is displayed. When the button is turned, the character displayed is switched in the following sequence:
    - Space: □
    - ↓
    - letters: A—Z
    - ↓
    - numbers: 0—9
    - ↓
    - symbols: ' , > , < , / , -
- <Note>  
Only spaces and letters can be selected for the COUNTRY item. This does not apply to other items.
- 5 Press the JOG dial button to enter the character.
  - 6 Turn the JOG dial button to move the arrow (cursor) to the next position (right), and repeat steps 4 and 5 to set the characters.
  - 7 When the characters have been input, turn the JOG dial button to move the arrow (cursor) to the ":" position.
  - 8 When the JOG dial button is pressed, the arrow (cursor) returns to the "USER" item.
  - 9 Press the MENU button to exit the menu operations.



# Chapter 4 Adjustments and settings for recording

## 4-6 Menu displays on the viewfinder screen

### 4-6-1 Menu configuration

**USER MENU:** Although USER MENU is set at the factory, the user may perform menu operations to open the <USER MENU SELECT> screen from the MAIN MENU page, select the settings for its items in accordance with the purpose of operation and setting frequency and configure a menu tailored to individual needs. This menu appears when the MENU button is pressed.

**MAIN MENU:** This enables all the items on the setting menus to be set. It can be organized hierarchically by category in accordance with the purpose of operation and setting frequency. It appears when the MENU button is pressed for 3 or more seconds.

**OPTION MENU:** This menu is provided to accommodate the functions that may be added in the future. It appears when the MENU button is pressed while the LIGHT button is held down. For details, contact your nearest service center or your dealer.

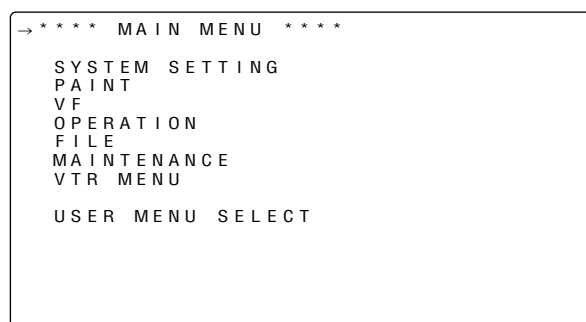
### 4-6-2 Basic menu operations

Menu items are selected and entered using the MENU button and JOG dial button. The menus have a hierarchical configuration consisting of the main menu, sub menus and setting item menus.

The data which has been set is written and saved in a non-volatile memory.

The operations performed for the MAIN MENU are described here but the operating procedure is the same for the other menus as well except for the screen displays.

**I** Press the MENU button for 3 or more seconds. The menu screen consisting of items organized on a category by category basis now appears.



**SYSTEM SETTING:**

This item is used when deciding on the unit's recording signals, recording system, etc.

**PAINT:**

This item is used when detailed image adjustments are to be made while a waveform monitor is used to monitor the camera's output waveforms. Video engineer support is normally required for this. The items under this sub menu can also be set using an external remote control unit, but they are valid only when the unit is used on its own.

**VF:**

This item is used for selecting what is to be displayed on the viewfinder screen.

**OPERATION:**

This item is used to change settings in accordance with the subject conditions and other factors, usually when the unit is operated by the cameraman.

**FILE:**

This item is used to read and write the setup card data and perform the lens file and other file-related operations.

**MAINTENANCE:**

This item is used to perform the maintenance and inspections related to this unit's camera unit.

**VTR MENU:**

This item is used to perform the maintenance and inspections related to this unit's VTR unit.

**USER MENU SELECT:**

This item is used for editing the USER MENU.

# Chapter 4 Adjustments and settings for recording

- 2 Turn the JOG dial button to move the arrow (cursor) to the item which is to be set, and the sub menu screen appears when the JOG dial button is pressed.

```
**** MAIN MENU ****
SYSTEM SETTING
PAINT
VF
→ OPERATION
FILE
MAINTENANCE
VTR MENU

USER MENU SELECT
```

- 3 Turn the JOG dial button to move the arrow (cursor) to the item which is to be set, and the setting item menu screen appears when the JOG dial button is pressed.

```
< OPERATION >
CAMERA ID
SHUTTER SPEED
SHUTTER SELECT
→ USER SW
SW MODE
WHITE BALANCE MODE
USER SW GAIN
IRIS
```

- 4 Turn the JOG dial button to move the arrow (cursor) to the item which is to be set, and the item's setting flashes when the JOG dial button is pressed.

```
< USER SW >
→ USER MAIN SW      :S.GAIN*
USER1 SW             :D.ZOOM
USER2 SW             :DS.GAIN
```

- 5 Turn the JOG dial button to change the setting.

### To increment the value

Turn the JOG dial button in the clockwise direction as viewed from the front of the camera.

### To decrement the value

Turn the JOG dial button in the counterclockwise direction as viewed from the front of the camera.

Each time the button is turned, the number changes by one increment. When it is turned quickly, the number changes quickly, and when it is turned slowly, the setting can be adjusted finely.

### To set an item to ON or OFF

To set an item to ON, turn the JOG dial button in the clockwise direction as viewed from the front of the camera. Conversely, to set an item to OFF, turn the button in the counterclockwise direction as viewed from the front of the camera.

- 6 Press the JOG dial button.  
The setting stops flashing, and the setting is entered.
- 7 To change another setting item on the same page, repeat steps 4 to 6.
- 8 Press the MENU button to exit the menu operations.  
The menu setting mode is exited, and operation returns to the normal operation mode.

## 4-6-3 Selecting the user menus

By performing menu operations, open the USER MENU SELECT page from the MAIN MENU and then open the setting item menu screens, and select only those items required on the USER MENU.

Only the items which have been set are displayed as the USER MENU items. For details on operation, refer to "4-6-2 Basic menu operations."

```
< USER MENU SELECT > (SELECT MODE)
→ SYSTEM SETTING
PAINT
VF
OPERATION
FILE
MAINTENANCE
VTR MENU
```

### <Note>

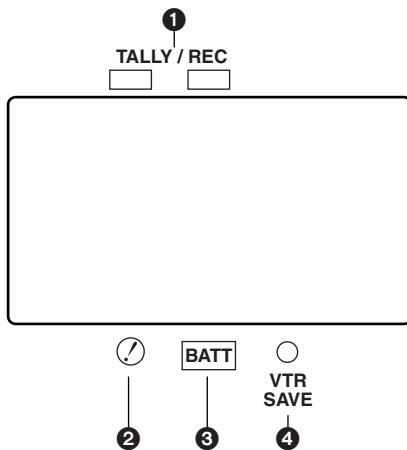
Setting items are effective when "\*" is displayed. However, the maximum number of items that can be set is 42 in the case of camera related items (3 pages' worth, with 14 items per page,  $14 \times 3 = 42$ ) or 14 in the case of VTR related items (1 page's worth, or 14 items).

# Chapter 4 Adjustments and settings for recording

## 4-7 Viewfinder screen status displays

Not only the images but the lamps and characters indicating the unit's settings and operation statuses as well as the messages, center and safety zone markers, camera ID and other information are displayed inside the viewfinder.

### 4-7-1 Viewfinder lamp displays



Viewfinder pictured here is the AJ-HVF20B. (For details concerning viewfinder, refer to the operating instructions of each viewfinder.)

#### 1 TALLY/REC (recording) lamp

This lights up (red) during recording. It flashes when a problem has occurred. For details, refer to the appropriate section in "6-3 Warning system."

#### 2 ⚠ (abnormal operating status warning) lamp

This lights when the unit is set to an abnormal operating status for any of the items set to "ON" on the "ILED" screen of the setting menu.

For details on selecting the items which are to be indicated with the ⚠ lamp, refer to the <!LED> screen items in "Chapter 7 Menu description tables."

#### 3 BATT (battery) lamp

This starts flashing when the battery voltage has dropped to the level where the battery will no longer be usable in several minutes' time, and it lights when the battery is no longer usable. To prevent operation from being interrupted, replace the battery before it has discharged completely. For details, refer to the appropriate section in "6-3 Warning system."

#### 4 VTR SAVE (VTR power-saving) lamp

This lights when the VTR SAVE/STBY switch is set to SAVE. It goes off during recording.

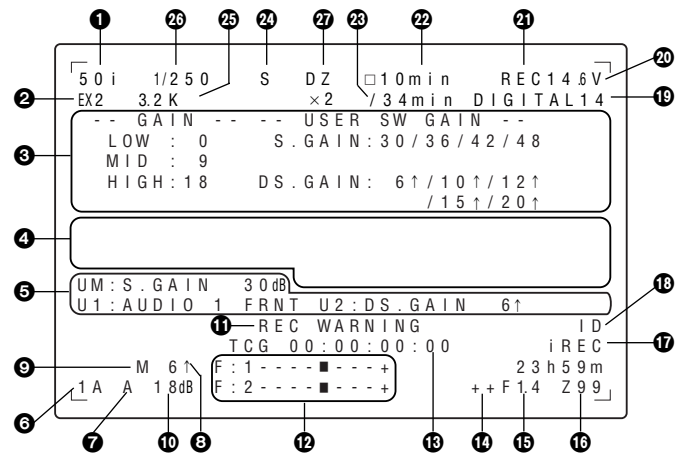
##### <Note>

In the rec-pause mode, the SAVE mode is established automatically, and the lamp lights after the time set for the pause timer (temporary stop time) has elapsed.

After two minutes in the play-pause mode, the SAVE mode is established automatically, and the lamp lights.

### 4-7-2 Viewfinder screen status display configuration

All the items that can be displayed are laid out inside the viewfinder as shown in the figure below.



For details, refer to the following pages.

### 4-7-3 Selecting the viewfinder screen display items

To select which items are to be displayed on the viewfinder screen, perform menu operations to open the <VF INDICATOR1> screen or <VF INDICATOR2> screen from the VF page, and select ON or OFF for the display or select the type desired for each item concerned.

For details on operation, refer to "4-6-2 Basic menu operations."

```

->< VF INDICATOR1 >

EXTENDER      : ON
SHUTTER       : ON
FILTER        : ON
WHITE         : ON
GAIN          : ON
IRIS          : S+IRIS
CAMERA ID    : BAR
ID POSITION    : UPPER L
DATE/TIME     : OFF
ZOOM LVL     : ON
COLOR TEMP    : ON
CAMERA MODE   : ON
    
```

```

->< VF INDICATOR2 >

TAPE          : ON
BATTERY       : ON
AUDIO LVL     : ON
TC            : OFF
VTR WARNING   : NORMAL
SAVE LED      : SAVE
    
```

## Chapter 4 Adjustments and settings for recording

Display item	What is displayed	Status when display appears
<b>① Mode of camera now shooting</b>	25P, 50i	This indicates the status of the mode of the camera now shooting (progressive or interlace).
<b>② Extender</b>	EX2	This appears when the lens extender is in use.
<b>③ MODE CHECK dedicated display area</b> (STATUS: master gain, user switch gain)	LOW/MID/HIGH -3 to 30 S.GAIN30/36/42/48 DS.GAIN6 ↑/10 ↑/12 ↑/ 15 ↑/20 ↑	This indicates the master gain setting. Example: LOW = 0 When S.GAIN and DS.GAIN functions have been allocated to the user switches, the corresponding gain values are displayed. The user switch displays do not appear unless the S.GAIN and DS.GAIN functions have been allocated. The DS.GAIN value can be displayed as a frame rate value(P). For details, refer to the DS.GAIN DISP item in "7-4-1 VF DISPLAY."
(Causes for ! LED to light: Displayed on the entire screen.) • An exclamation mark (!) appears next to items selected on the ! LED menu. • An exclamation mark (!) appears next to items for which the ! LED lights.	GAIN (0 dB) GAIN (-3 dB) DS.GAIN LINE MIX SHUTTER WHITE PRE. EXTENDER BLACK STR. MATRIX COLOR COR.  FILTER D.ZOOM	This indicates the current GAIN status. This indicates the current GAIN status. This indicates the current DS.GAIN value. This indicates the current LINE MIX status. This indicates the current shutter status. This indicates the current WHITE BAL status. This indicates whether the current extender setting is on EX2 or OFF. This indicates whether the current black stretch setting is ON or OFF. This indicates whether the current MATRIX setting is A, B or OFF. This indicates whether the current COLOR CORRECTION setting is ON or OFF. This indicates the current filter status. This indicates the current digital zoom status as ×2, ×3, ×4 or OFF.
(FUNCTION: DOWNCON)	OUTPUT: VTR/CAM/OFF CHAR: ON/OFF TYPE: LT BOX/S CROP /SQUEEZE	This indicates the position of the OUTPUT SEL switch. This indicates the position of the VIDEO OUT CHARACTER switch. This indicates the position of the DOWNCON switch.
(FUNCTION: HD SDI)	OUTPUT: VTR/CAM/OFF CHAR: ON/OFF	This indicates the setting status of the VIDEO OUT SEL menu. OFF always appears when it is the HD SDI save status. This indicates the setting status of the HD SDI CHAR menu.
(AUDIO: front controls enable/disable)	CH1: ON/OFF CH2: ON/OFF	ON appears if the front CH1 control is enabled and OFF appears if it is disabled. ON appears if the front CH2 control is enabled and OFF appears if it is disabled.
(AUDIO: microphone power status)	FRONT: ON/OFF REAR: ON/OFF	This indicates the status of the front microphone's power. This indicates the menu setting status for the rear microphone's power.
(AUDIO: channel input signals and levels)	FRONT/W.L./REAR CH1/2/3/4	This indicates the input signals and levels for the individual channels.
<b>④ Camera warning and message display area</b> (Displays related to the AWB, ABB and switch operations)	AWB A ACTIVE AWB B ACTIVE AWB A OK *.*K  AWB B OK *.*K  AWB BREAK *.*K AWB NG  COLOR TEMP LOW COLOR TEMP HIGH LEVEL OVER LOW LIGHT TIME OVER  AWB PRESET *.*K	This appears during an AWB operation for channel A. This appears during an AWB operation for channel B. This appears when the AWB operation has been completed satisfactorily for channel A. This appears when the AWB operation has been completed satisfactorily for channel B. This appears when the AWB operation has been forcibly terminated. This appears when the AWB operation has not been completed satisfactorily. The status is indicated on the second line. This warns the user that the color temperature is too low. This warns the user that the color temperature is too high. This warns the user that the brightness is too high. This warns the user that the brightness is too low. This warns the user that the processing could not be executed within the operation time. This appears when the AWB switch is set to PRE or when super gain is set and AWB cannot be executed.

## Chapter 4 Adjustments and settings for recording

Display item	What is displayed	Status when display appears
<b>4 Camera warning and message display area</b> (Displays related to the AWB, ABB and switch operations)	CHECK FILTER	This warns the user to recheck the position of the filter selector control during the AWB operation.
	AWB A VAR *.*K	This indicates that channel A is set to VAR and AWB operation is not possible.
	AWB B VAR *.*K	This indicates that channel B is set to VAR and AWB operation is not possible.
	ABB ACTIVE	This appears during an ABB operation.
	ABB OK	This appears when the ABB operation has been completed satisfactorily.
	ABB BREAK	This appears when the ABB operation has been forcibly terminated.
	ABB NG	This appears when the ABB operation has not been completed satisfactorily.
	W-SHD ACTIVE	This appears during a WHITE SHADING operation.
	W-SHD OK	This appears when the WHITE SHADING operation has been completed satisfactorily.
	W-SHD BREAK	This appears when the WHITE SHADING operation has been forcibly terminated.
	W-SHD NG LVL OVER	This indicates that white shading has not been completed satisfactorily as the brightness level was excessively high during the WHITE SHADING operation.
	B-SHD READY	This appears when the BLACK SHADING operation is ready to be performed as a result of holding down the ABB switch for a length of time during an ABB operation.
	B-SHD UNABLE	This indicates that the BLACK SHADING operation is not acknowledged while the D.ZOOM function is operating even if the ABB switch is held down for a length of time during an ABB operation.
	B-SHD ACTIVE B-SHD OK	This appears during a BLACK SHADING operation. This appears when the BLACK SHADING operation has been completed satisfactorily.
B-SHD BREAK	This appears when the BLACK SHADING operation has been forcibly terminated.	
B-SHD NG	This appears when the BLACK SHADING operation has been not completed satisfactorily.	
(Switch selection displays)	WHITE: # *.*K	This appears when the position of the WHITE BAL switch has been changed. "A," "B" or "PRE" appears at #. VAR *.* K is displayed when channel A, Y is set to VAR.
	AUTO KNEE: ON/OFF GAIN: **dB	This appears when the AUTO KNEE switch has been set to ON or OFF. This appears when the gain has been selected using the GAIN selector switch or USER button.
	SS: 1/*****	This indicates the shutter speed value when the shutter speed has been selected.
	SS: ► 1/*****	This appears when synchro scan has been selected as the shutter speed.
	CC: **** *K	This appears when the CC filter setting has been selected.
	ND: * EXTENDER: ON/OFF IRIS: ** F * *	This appears when the ND filter setting has been selected. This appears when the lens extender has been set to ON or OFF. This appears when the iris overwrite correction value has been changed.
(LOW LIGHT warning display)	LOW LIGHT	This appears when the brightness has dropped.
(Y GET value)	***.>%	With the Y GET ON setting, the output brightness level near the center marker is displayed as "%."
(CALL display)	CALL	This appears when the call command has been issued from the extender.
(MARKER display)	MKR: A/B/OFF	This indicates the type of marker presently being displayed.

## Chapter 4 Adjustments and settings for recording

Display item	What is displayed	Status when display appears
<b>5 Information allocated to USER buttons</b> UM: USER MAIN U1: USER1 button U2: USER2 button	INH S.GAIN **dB/OFF DS.GAIN ** ↑ /OFF LINE MIX ON/OFF S.IRIS ON/OFF I.OVR ON/OFF S.BLK -**/OFF  B.STR ON/OFF  AUDIO CH1  AUDIO CH2  REC SW  Y GET ON  RET SW  D.ZOOM ×2/×3/×4/OFF	“INH” is indicated when the operation of the USER button has been disabled. This indicates the value selected for S.GAIN. This indicates the value selected for DS.GAIN. This indicates whether LINE MIX GAIN is set to ON or OFF. This indicates whether S.IRIS is set to ON or OFF. This appears when the IRIS OVERRIDE setting is enabled (ON). This indicates whether SUPER BLACK is set to ON or OFF and, if it is set to ON, it also indicates its value. This indicates whether BLACK STRETCH (black level gradation compensation) is set to ON or OFF. This appears when the input signal to recorded on audio channel 1 has been switched. This appears when the input signal to recorded on audio channel 2 has been switched. This appears only during MODE CHECK button operations while the USER button functions as the REC switch. This appears when the function for measuring the output brightness level (in % units for approx. 3 seconds for the area near the center marker) is ON. This appears only during MODE CHECK button operations while the USER button functions as the RET switch. This indicates the D.ZOOM status.
<b>6 Filter positions</b>	1 to 4 A to D –	This indicates the position of the ND filter. This indicates the position of the CC filter. This indicates that the filter has not been set to a proper position.
<b>7 WHITE BAL switch position</b>	A B P	This indicates that the WHITE BAL switch is set to channel A. This indicates that the WHITE BAL switch is set to channel B. This indicates that the WHITE BAL switch is set to PRE.
<b>8 Cumulative gain display</b>	6 ↑ /10 ↑ /12 ↑ /15 ↑ /20 ↑	This indicates the value of the cumulative gain (DS.GAIN) when this gain function is working.
<b>9 LINE MIX GAIN display</b>	M	This appears when LINE MIX GAIN (+6 dB) is active.
<b>10 Gain value</b>	**dB	This indicates the current gain value.
<b>11 VTR warnings, information</b>	REC WARNING SLACK E-**  HUMID SERVO  RF BACKUP BATT EMPTY WIRELESS-RF	This indicates that a problem has occurred during recording. This indicates that a problem has occurred in a mechanism. Depending on the nature of the trouble concerned, the power may be turned off automatically. This indicates that condensation has formed. This indicates that servo lock has not been initiated during recording or playback. This indicates that the level of the signals from the tape has dropped. This signals that it is time to replace the backup battery. This indicates that the level of the RF signal from the wireless microphone receiver has dropped. <b>&lt;Note&gt;</b> For details on the codes displayed in this area, refer to “6-3-2 Error codes.”
<b>12 AUDIO input system and level meter</b>	- - - - ■ - - - + F W R	This indicates the audio channels selected and their audio levels. This appears when the AUDIO IN switch is at the FRONT position. This appears when the AUDIO IN switch is at the WIRELESS position. This appears when the AUDIO IN switch is at the REAR position.
<b>13 Time code display</b>	TCG 12:59:59:20 TCR 12:59:59:20 (V)UBG AB CD EF 00 (V)UBR 12 34 56 78 CTL -01:59:59:20	This indicates the TCG (time code generator) value. This indicates the TCR (time code reader) value. This indicates the UBG VUBG display. This indicates the UBR VUBR display. This indicates the CTL-COUNTER value.



## Chapter 4 Adjustments and settings for recording

Display item	What is displayed	Status when display appears
14 Iris override display	++ + (No display) - --	When the iris override function is working, this indicates how much compensation is provided. ++: The aperture is opened by a full stop. +: The aperture is opened by a half stop. --: The aperture is closed by a full stop. -: The aperture is closed by a half stop. No display: Reference status
15 Iris, f-value	NC OPEN F1.7 to F16 CLOSE	This appears when the lens cable is not connected. This appears when the lens aperture is open. This indicates the aperture value (f-value) of the lens. This appears when the lens aperture is closed. <b>&lt;Note&gt;</b> These displays appear when using a lens equipped with an aperture value display function. They flash while the aperture is being changed for the iris override.
16 Zoom display	Z00 to Z99	This indicates the amount of zoom. Note that this item is not displayed even if the display setting is ON if the lens is not equipped with a zoom position return function.
17 Interval, pre-rec display	i (flashing)  iREC (lighting) iREC (flashing) **h**m/**s  P-REC (flashing) *s	This appears in the INTERVAL REC mode during the times when the operation of the REC button is not acknowledged before the start of or at the end of recording. This appears during an INTERVAL REC operation. This appears during INTERVAL REC standby to indicate the wait time until the next recording. This indicates the amount of time remaining until the end of the set PRE REC time during PRE REC operation.
18 ID recording display	ID	This appears when the setting to superimpose the ID onto the camera image and record the image with the ID has been established.
19 Battery type	AJ-BP490 to AC_ADPT	This indicates the type of battery selected on the menu. "AC_ADPT" appears when an AC adapter has been input.
20 Remaining battery charge/voltage	**.*V ***% EMP MAX	This indicates the remaining battery charge in 0.1V increments. This indicates the remaining digital battery charge in percent. This appears when the battery has no charge left. This appears when the battery has a full charge.
21 Unit's REC display	REC	This appears when the extender unit has been connected to indicate the unit's recording status using characters. It lights during recording, and it flashes while the unit's mode is transferring to recording or when a warning has been issued.
22 Remaining tape	***min END INH	Under normal conditions, "***min" lights, and this starts flashing while the tape is reaching the end. When the tape has reached the end, " END" lights. When recording has been inhibited, " INH" lights.
23 Total length of cassette tape	***min	This indicates the total length of the cassette tape. (This appears during a mode check.)
24 Super iris ON/ super black ON	S B SB	This appears when S.IRIS has been set to ON. This appears when S.BLK has been set to ON. This appears when S.IRIS and S.BLK have been set to ON.

## Chapter 4 Adjustments and settings for recording

Display item	What is displayed	Status when display appears
25 Color temperature	*.*K	This indicates the color temperatures assigned to the A, B, and PRE positions of the WHITE BAL switch. (These may be memory values during AWB operation or menu setting values.)
26 Shutter speed/mode	▶1/*.*.* 1/60 - 1/2000	This indicates that the shutter speed is set to SYNCHRO SCAN. This indicates that a fixed shutter speed has been set.
27 D.ZOOM	DZ ×2/×3/×4	This appears at the same time as the zoom ratio in the D.ZOOM mode. When the FOCUS mode is selected, "×2" flashes but only for as long as this mode remains selected.

### Viewfinder screen display selection

	Whether a display is to be shown or not can be selected on a menu.	Status displayed when established	Displayed only by MODE CHECK button (*1)	Display can be cleared	Displayed during playback
1 Mode of camera now shooting	○	-	●	○	-
2 Extender	○	○	●	○	-
3 MODE CHECK dedicated display area	-	-	○	○	-
4 Camera warning, message display area	-	○	○	○	-
5 Information allocated to USER buttons	-	○	○	○	-
6 Filter positions	○	-	●	○	-
7 WHITE BAL switch position	○	-	●	○	-
8 Cumulative gain display	○	-	●	○	-
9 LINE MIX GAIN display	○	-	●	○	-
10 Gain value	○	-	●	○	-
11 VTR warnings, information	○	○	●	○	-
12 AUDIO input system and level meter	○	-	All input information for 2 channels	○	-
13 Time code display	○	-	●	○	○(dependent upon menu)
14 Iris override display	○	○	●	○	-
15 Iris, f-value	○	-	●	○	-
16 Zoom display	○	-	●	○	-
17 Interval, pre-rec display	-	○	●	○	-
18 ID recording display	-	○	●	-	-
19 Battery type	-	-	●	○	-
20 Remaining battery charge/voltage	○	-	●	○	-
21 Unit's REC display	○	○	●	○	-
22 Remaining tape	○	-	●	○	-
23 Total length of cassette tape	-	-	●	○	-
24 Super iris ON/super black ON	○	○	●	○	-
25 color temperature	○	○	●	○	-
26 Shutter speed/mode	○	○	●	○	-
27 D.ZOOM	-	○	●	○	-

\*1 ○: The display does not appear when OFF has been selected for the STATUS item setting on the <MODE CHK IND> screen.

●: Display always appears regardless of the menu.

# Chapter 4 Adjustments and settings for recording

## 4-7-4 Display modes and setting changes/adjustment result messages

By setting the display mode item, it is possible to select various display methods for the changes made in the settings and for the messages advising the user of the adjustment results: for instance, the items displayed can be limited to a select number or not displayed at all. To select the display mode, perform menu operations to open the <VF DISPLAY> screen from the VF page and select the setting for the DISP MODE item.

For details on operation, refer to “4-6-2 Basic menu operations.”

```

->< VF DISPLAY >
DISP CONDITION      : NORMAL
DISP MODE           : 3
DS GAIN DISP       : FRM RATE
VF OUT              : Y
VF DTL              : 2
ZEBRA1 DETECT      : 070%
ZEBRA2 DETECT      : 085%
ZEBRA2              : SPOT
LOW LIGHT LVL      : 35%
ECU MENU DISP.     : ON
MARKER / CHAR LVL  : 50%
    
```

## Setting change/adjustment result messages and display modes

Situation in which message is displayed	Message	Display mode setting		
		1	2	3
When the filter selection has been changed	CC: n (n=1, 2, 3, 4) or ND: m (m=A, B, C, D)	x	x	○
When the gain setting has been changed	GAIN: n dB (n= -3, 0, 3, 6, 9, 12, 15, 18, 21, 24, 27, 30)	x	x	○
When the WHITE BAL switch setting has been changed	WHITE: n (n=ACH, BCH, PRESET)	x	x	○
When the OUTPUT/AUTO KNEE switch has been set to AUTO KNEE or OFF	AUTO KNEE: ON (or OFF)	x	○	○
When the shutter speed/mode setting has been changed	SS: 1/60 (or 1/120, 1/250, 1/500, 1/1000, 1/2000, ► 1/***)	x	○	○
When the white balance (AWB) has been adjusted	Example) AWB A OK 3.2K	x	○	○
When the black balance (ABB) has been adjusted	Example) ABB OK	x	○	○
When the extender has been selected	Example) EXTENDER ON	x	x	○
When a user button has been selected	Example) UM: S.GAIN 30 dB	x	○	○
When a marker select button has been selected	Example) MKR: A	x	x	○
When in iris overwrite status	Example) ++ F 5.6	x	○	○

○: Message is to be displayed.  
x: Message is not to be displayed.

## 4-7-5 Setting the marker displays

ON, OFF or the display type can be selected for the displays of the center marker, safety zone markers, safety zone area and frame marker. To make the selection, perform menu operations to open the <VF MARKER> screen from the VF page and select the display mode for each item. For details on operation, refer to “4-6-2 Basic menu operations.”

```

->< VF MARKER >
TABLE           : A
CENTER MARK     : 1
SAFETY ZONE     : 2
SAFETY AREA     : 90%
FRAME SIG       : 4 : 3
FRAME MARK      : OFF
FLAME LVL      : 15
MKR : A
    
```

**<Note>**

The MKR: A indication at the upper right of the screen shows the display status. To check the settings for TABLE B, press the MARKER SELECT so that MKR:B is displayed.

## 4-7-6 Setting the camera ID

The camera ID is set on the CAMERA ID screen. Up to ten alphanumeric, symbols and spaces can be used.

**<Note>**

The camera ID is not displayed while the setting menu is displayed even if color bar signals are output.

**1** Perform a menu operation to open the <CAMERA ID> screen from the OPERATION page.

```

->< CAMERA ID >
ID1 : ABCDEFGHIJ
ID2 : ABCDEFGHIJ
ID3 : ABCDEFGHIJ
    
```

**2** Turn the JOG dial button to move the arrow (cursor) to the “ID 1: to 3:” item.

## Chapter 4 Adjustments and settings for recording

- 3 When the JOG dial button is pressed, the arrow (cursor) moves to the ID input area, and the input mode is established.
- 4 Press the JOG dial button again and turn it until the character to be set is displayed.  
When the button is turned, the character displayed is switched in the following sequence:  
Space:   
↓  
letters: A—Z  
↓  
numbers: 0—9  
↓  
symbols: ' , > , < , / , -
- 5 Press the JOG dial button to enter the character.
- 6 Turn the JOG dial button to move the arrow (cursor) to the next position (right), and repeat steps 4 and 5 to set the characters.
- 7 When the characters have been input, turn the JOG dial button to move the arrow (cursor) to the “.” position.
- 8 When the JOG dial button is pressed, the arrow (cursor) returns to the ID 1:, ID 2: or ID 3: item.
- 9 Press the MENU button to exit the menu operations.  
The setting menu is cleared, and the displays showing the unit's current statuses appear at the top and bottom of the viewfinder screen.

### <Note>

The camera ID is recorded at the same time as the color bar signals if “CAMERA ID” on the VF INDICATOR screen has been set to “BAR.”

### 4-7-7 Mode check screen displays (MODE CHECK button function)

The screens enabling the unit's settings and modes to be checked can be displayed in the viewfinder.

Each time the unit's MODE CHECK button is pressed, one of the four screen displays is selected in the following sequence: STATUS screen display → !LED screen display → FUNCTION screen display → AUDIO screen display.

Each screen is displayed for about 3 seconds. When the MODE CHECK button is pressed while one screen is displayed, the next screen is displayed.

To select whether to display the screens, perform menu operations to open the <MODE CHECK IND> screen from the VF page and select ON or OFF for each screen display.

```
→ < MODE CHECK IND >  
STATUS : ON  
! LED : ON  
FUNCTION : ON  
AUDIO : ON  
P. ON IND : ON
```

### 4-7-8 Marker check screen displays (MARKER SELECT button function)

The screens enabling the unit's marker statuses to be checked can be displayed in the viewfinder.

Each time the unit's MARKER SELECT button is pressed, one or none of the two screen displays is selected in the following sequence: A marker screen display → B marker screen display → no display.

When the MARKER SELECT button is pressed while one screen is displayed, the next screen is displayed. Before this, perform menu operations to open the <VF MARKER> screen from the VF page, select A as the TABLE item setting, and select the marker information for the other items.

Next, select B as the TABLE item setting, and select the marker information for the other items.

If, for instance, “16:9” is selected for the FRAME SIG item as the A marker information and “4:3” is selected for the FRAME SIG item as the B marker information, then the 16:9 and 4:3 aspect ratios can be checked easily by operating the MARKER SELECT button as and when required.

# Chapter 4 Adjustments and settings for recording

## 4-8 Menu-driven function setup

The functions can be set up using the unit's menus.

### 4-8-1 Setting the USER SW GAIN switching

This unit allows three other modes to be used in addition to the L/M/H standard gain settings: the analog gain-up S.GAIN (super gain) mode to achieve a gain of 30 dB or more, the cumulative gain-up DS.GAIN (digital super gain) mode which uses progressive drive, and the LINE MIX GAIN mode where the gain of two lines is mixed.

To select these functions, perform menu operations to open the <USER SW GAIN> screen from the OPERATION page, select the S.GAIN item and DS.GAIN item, and preset the gain to be used for each item. Furthermore, select the LINE MIX function on the <USER SW> screen.

For instance, if the S.GAIN, DS.GAIN and LINE MIX GAIN functions have been allocated to the USER MAIN button, USER1 button or USER2 button, the gain can be increased by using these buttons in combination with the USER buttons.

#### 1) To increase the gain without increasing the perceptible noise

Combine the DS.GAIN or LINE MIX GAIN function with the L/M/H gain.

#### 2) To increase the normal analog gain (in which case, the amount of noise will increase)

Use only the S.GAIN function.

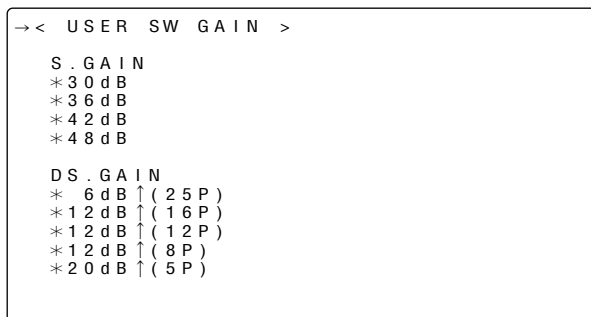
#### <Note>

Since the amount of noise will increase when the gain is increased in this way, bear in mind that the AUTO IRIS accuracy will be adversely affected.

#### 3) To use the unit in the ultra-high-sensitivity mode

Use the S.GAIN function and DS.GAIN or LINE MIX GAIN function in combination. However, exercise care during operation since image lag will become more conspicuous with moving subjects the more the gain is increased by using the DS.GAIN function.

When shooting moving subjects, keep the gain increase with the LINE MIX GAIN function or DS.GAIN function to under +12 dB.



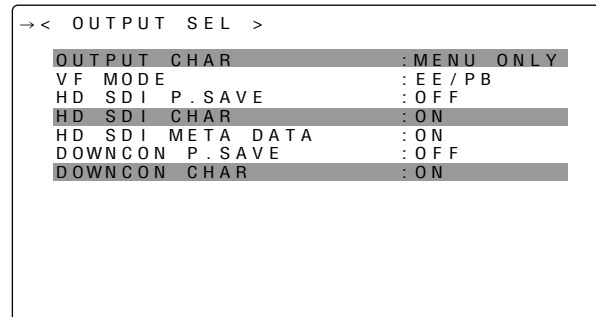
#### Setting items and details

**S.GAIN:** An analog gain increase with an asterisk is one that is valid. One without an asterisk is invalid.

**DS.GAIN:** A cumulative gain increase with an asterisk is one that is valid. One without an asterisk is invalid.

### 4-8-2 Selecting the video output signals

The signals which are output from the VIDEO OUT connector and HD SDI connector can be selected. To select this function, perform menu operations to open the <OUTPUT SEL> screen from the SYSTEM SETTING page, and select VIDEO OUT and HD SDI characters at the OUTPUT CHAR item and HD SDI CHAR item, respectively, and select whether to superimpose characters onto the HD SDI signals.



#### Setting items and details

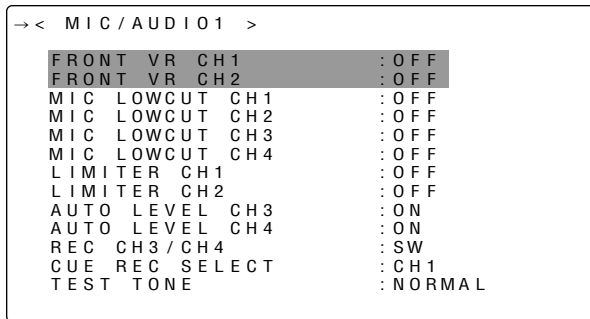
Item	Variable range	Remarks
OUTPUT CHAR	TC STATUS MENU ONLY	For setting the type of characters to be superimposed onto the output signals of the VIDEO OUT connector and HD SDI connector. <b>TC:</b> The time code is displayed. (The menu appears when the menu is displayed.) <b>&lt;Note&gt;</b> The time code display position moves vertically in accordance with the camera ID position. <b>STATUS:</b> All the same characters as the ones superimposed on the viewfinder are displayed. (The menu appears when the menu is displayed.) <b>MENU ONLY:</b> Only appears when the menu is displayed. Normally, nothing is displayed
HD SDI CHAR	ON OFF	For selecting whether characters are to be superimposed onto the HD SDI connector signals. (It is not linked with the VIDEO OUT CHARACTER switch.) The characters which are superimposed are the ones which are selected using the OUTPUT CHAR menu item. <b>ON:</b> The characters are superimposed. <b>OFF:</b> The characters are not superimposed.
DOWNCON CHAR	ON OFF	For selecting whether characters are to be superimposed onto the DOWNCON connector signals in accordance with the setting of the CHARACTER switch on the side panel. <b>ON:</b> The characters are superimposed. <b>OFF:</b> The characters are not superimposed at any time.

# Chapter 4 Adjustments and settings for recording

## 4-8-3 Selecting the F.AUDIO LEVEL control function

This function enables the recording level to be adjusted using the F.AUDIO LEVEL control.

To select this function, perform menu operations to open the <MIC/AUDIO> screen from the VTR MENU page, and set whether to enable or disable the F.AUDIO LEVEL controls for the system selected as the input signals using the FRONT VR CH1 and FRONT VR CH2 items.



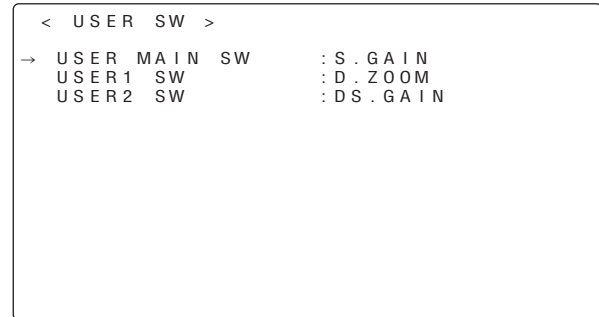
### Setting items and what is set

Item	Variable range	Remarks
FRONT VR CH1	FRONT W.L. REAR ALL OFF	For selecting whether or not to enable the F.AUDIO LEVEL control for the input signals which have been selected for audio CH1. <b>FRONT:</b> The control works only when FRONT has been selected. <b>W.L.:</b> The control works only when WIRELESS has been selected. <b>REAR:</b> The control works only when REAR has been selected. <b>ALL:</b> The control works regardless of which input has been selected. <b>OFF:</b> The control does not work regardless of which input has been selected. Even if it is rotated, the recording level will not change.
FRONT VR CH2	FRONT W.L. REAR ALL OFF	For selecting whether or not to enable the F.AUDIO LEVEL control for the input signals which have been selected for audio CH2 <b>FRONT:</b> The control works only when FRONT has been selected. <b>W.L.:</b> The control works only when WIRELESS has been selected. <b>REAR:</b> The control works only when REAR has been selected. <b>ALL:</b> The control works regardless of which input has been selected. <b>OFF:</b> The control does not work regardless of which input has been selected. Even if it is rotated, the recording level will not change.

## 4-8-4 Allocating functions to the USER MAIN, USER1 and USER2 buttons

The desired functions can be allocated to the USER MAIN, USER1 and USER2 buttons.

To select this function, perform menu operations to open the <USER SW> screen from the OPERATION page, and set the desired function each with the USER MAIN SW item, USER1 SW item and USER2 SW item.



### Functions which can be selected

#### INH:

No functions are allocated.

#### S.GAIN:

The S.GAIN function is allocated.

#### DS.GAIN:

The DS.GAIN function is allocated.

#### LINE MIX:

The LINE MIX GAIN (+6 dB) function is allocated.

#### S.IRIS:

The SUPER IRIS function is allocated. This is useful when providing backlight compensation.

#### I.OVR:

The IRIS override function is allocated.

This changes the target (reference) value in the auto iris mode.

To change the target value, first establish this mode, and then press the JOG dial button to enable the target value to be changed. The target value is changed by turning the JOG dial button clockwise or counterclockwise. "+," "+ +," "-" or "- -" is displayed on the left of the iris display area on the viewfinder screen. Stop turning the JOG dial button at the position to be changed, and press the JOG dial button to enter the change in the target value. The reference value is restored when this mode is released or the power is turned off.

+: The aperture is opened by a half stop.

+ +: The aperture is opened by a full stop.

-: The aperture is stopped down by a half stop.

- -: The aperture is stopped down by a full stop.

#### No display:

The reference value remains unchanged.

#### S.BLK:

The SUPER BLACK function is allocated. This function reduces the black level to below the pedestal level.

#### B.STR:

The BLACK stretch function is allocated. This function highlights the black gradations.



# Chapter 4 Adjustments and settings for recording

## AUDIO CH1:

The function for switching the channel 1 input signal is allocated. Each press advances the setting through the sequence FRONT → W.L. → REAR. Note that it is also possible to change the setting by operating the AUDIO IN switch. Whichever control is operated last takes precedence.

## AUDIO CH2:

The function for switching the channel 2 input signal is allocated. Each press advances the setting through the sequence FRONT → W.L. → REAR. Note that it is also possible to change the setting by operating the AUDIO IN switch. Whichever control is operated last takes precedence.

## REC SW:

The function of the VTR's START button is allocated.

## Y GET:

The function for displaying the brightness level of the center marker area is allocated.

## RET SW:

The function of the RET button on the lens is allocated.

## D.ZOOM:

This magnifies the picture angle 2-, 3- or 4-folds in the horizontal and vertical directions. It also works as the focus assist function (D.ZOOM ×2).

### <Note>

The LINE MIX and D.ZOOM functions do not work concurrently. The function which is enabled last takes precedence, and the function set before it is canceled.

## 4-8-5 Setting the color temperature manually

The white balance can be adjusted manually using the color temperature settings. These manual color temperature settings can be performed for the PRST, A and B settings of the WHITE BAL switch.

Perform menu operations to open the <WHITE BALANCE MODE> screen from the OPERATION page, and select VAR as the setting for the AWB A item and AWB B item. The manual color temperature adjustment function is now valid.

The color temperatures are set using the COLOR TEMP PRE item, COLOR TEMP A item and COLOR TEMP B item.

->< WHITE BALANCE MODE >	
FILTER INH	: ON
SHOCKLESS AWB	: NORMAL
AWB AREA	: 25%
AWB&ABB OFFSET	: OFF
COLOR TEMP PRE	: 3200K
AWB A	: MEM
COLOR TEMP A	: 3200K
AWB B	: MEM
COLOR TEMP B	: 3200K

## 4-9 Data handling

### Setup card

Use of the setup memory card (optional accessory) enables the setting menu contents to be saved. Use of this data speeds up the process of reproducing suitable setup statuses.

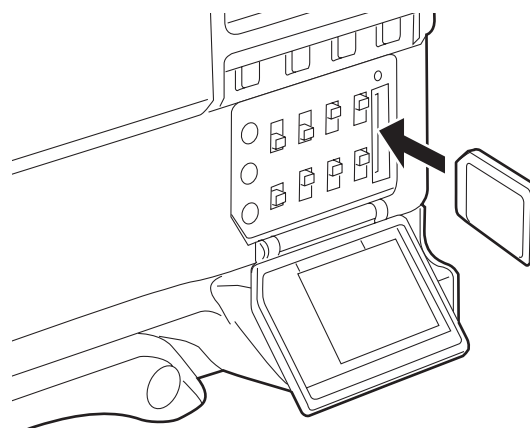
- Multimedia cards or SD memory cards can be used as the setup cards.

### 4-9-1 Handling the setup card

The setup card can be inserted or removed before or after the power is switched on.

#### Inserting the setup card

Open the switch cover, position the setup card (optional accessory) with its cutout facing up, insert it into the setup card insertion slot, and close the switch cover.



### <Note>

Before inserting the setup card, check that it is pointed in the correct direction. If the card meets with resistance and if it is difficult to insert, it may mean that it is the wrong way round or upside down. Do not force the card into the slot but check its direction again and insert it properly.

#### Removing the setup card

Open the switch cover, check that the BUSY lamp is not lighted, and push the setup card further into the unit. This causes the card to partially pop out from the insertion slot. Take hold of the card, remove it, and close the switch cover.

#### Bear in mind the following points when using and saving the setup cards.

- Avoid high temperatures and high humidity levels.
- Keep the cards away from water.
- Avoid exposing the cards to electrical charges.

Keep the setup card inside the unit with the cover closed.

# Chapter 4 Adjustments and settings for recording

## 4-9-2 Setup card operations

To format the setup card, save the setting data on the card or read the saved data from the card, first perform a menu operation to open the <CARD READ/WRITE> screen from the FILE page.

```

->< CARD READ/WRITE >

R. SELECT      : 1
  READ
W. SELECT      : 1
  WRITE
CARD CONFIG
TITLE READ

TITLE :
1 : ***** 5 : *****
2 : ***** 6 : *****
3 : ***** 7 : *****
4 : ***** 8 : *****
    
```

### Formatting the setup card

- 1 Perform the menu operations, and display the "CARD READ/WRITE" screen.
- 2 Turn the JOG dial button to move the arrow (cursor) to the CARD CONFIG item.
- 3 When the JOG dial button is pressed, the following message appears on the screen.

```

          CONFIG?
          YES
-> NO
          |
          |
    
```

- 4 To proceed with the formatting of the setup card, turn the JOG dial button to move the arrow (cursor) to YES, and press the JOG dial button. When the formatting of the card is completed, the following message appears.

```

          CONFIG OK
    
```

If one of the following messages appears when the JOG dial button is pressed, the card will not be formatted

Error message	Remedial action
CONFIG NG NO CARD (setup card has not been inserted)	Insert the card.
CONFIG NG ERROR (the card cannot be formatted)	The card may be defective. Replace it.
CONFIG NG WRITE PROTECT	Remove the card to cancel write protect.

- 5 Press the MENU button to exit the menu operations. The setting menu is cleared, and the displays showing the unit's current statuses appear at the top and bottom of the viewfinder screen.

#### <Note>

Data titles cannot be recognized when the setup card was inserted while the CARD READ/WRITE screen was open. Move the arrow (cursor) to the TITLE READ item, and press the JOG dial button.

The data title is recognized, and the title is displayed.

### Saving the data settings on the card

- 1 Perform the menu operations, and display the "CARD READ/WRITE" screen.

#### Selecting the file No.

- 2 Turn the JOG dial button to move the arrow (cursor) to the W.SELECT item and press the JOG dial button.

```

< CARD READ/WRITE >

R. SELECT      : 1
  READ
-> W. SELECT      : 1
  WRITE
CARD CONFIG
TITLE READ

TITLE :
1 : ***** 5 : *****
2 : ***** 6 : *****
3 : ***** 7 : *****
4 : ***** 8 : *****
    
```

- 3 Turn the JOG dial button to select a number from 1 to 8, and press the JOG dial button.

# Chapter 4 Adjustments and settings for recording

## Giving a title to the selected file

- 4 Turn the JOG dial button to move the arrow (cursor) to the "TITLE:" item.

```

< CARD READ/WRITE >
R. SELECT      : 1
READ
W. SELECT      : 1
WRITE
CARD CONFIG
TITLE READ
→ TITLE:
1: ***** 5: *****
2: ***** 6: *****
3: ***** 7: *****
4: ***** 8: *****
    
```

- 5 When the JOG dial button is pressed, the arrow (cursor) moves to the title input area, and the input mode is established.

```

< CARD READ/WRITE >
R. SELECT      : 1
READ
W. SELECT      : 1
WRITE
CARD CONFIG
TITLE READ
↓
TITLE:
1: ***** 5: *****
2: ***** 6: *****
3: ***** 7: *****
4: ***** 8: *****
    
```

- 6 Press the JOG dial button again and turn it until the character to be set is displayed. When the button is turned, the character displayed is switched in the following sequence:

- Space: □
- ↓
- letters: A—Z
- ↓
- numbers: 0—9
- ↓
- symbols: ', >, <, /, -

- 7 Press the JOG dial button to enter the character.

- 8 Turn the JOG dial button to move the arrow (cursor) to the next position (right), and repeat steps 6 and 7 to set the characters (maximum of 8).

## Saving the data settings to the selected file

- 9 When the title has been input, turn the JOG dial button to move the arrow (cursor) to the ":" position.

```

< CARD READ/WRITE >
R. SELECT      1
READ
W. SELECT      1
WRITE
CARD CONFIG
TITLE READ
↓
TITLE:
1: ***** 5: *****
2: ***** 6: *****
3: ***** 7: *****
4: ***** 8: *****
    
```

- 10 When the JOG dial button is pressed, the arrow (cursor) returns to the TITLE: item.

- 11 Turn the JOG dial button to move the arrow (cursor) to the WRITE item.

- 12 When the JOG dial button is pressed, the following message appears.

```

WRITE?
  YES
→  NO
TITLE:
    
```

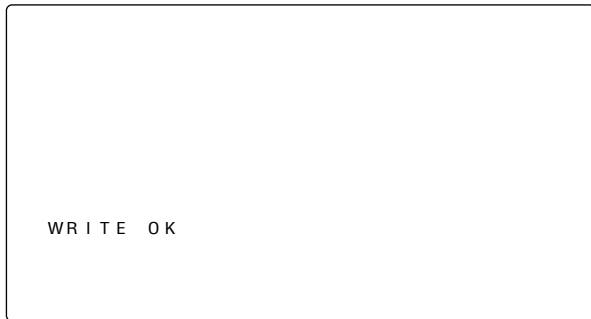
If one of the following messages appears when the JOG dial button is pressed, the data cannot be saved.

Error message	Remedial action
WRITE NG NO CARD (setup card has not been inserted)	Insert the card.
WRITE NG FORMAT ERROR (formatting error)	The card was formatted by a device other than the unit. Replace the card.
WRITE NG ERROR (the data cannot be saved)	The card may be defective. Replace it.
WRITE NG WRITE PROTECT	Remove the card to cancel write protect.

# Chapter 4 Adjustments and settings for recording

**13** Turn the JOG dial button to move the arrow (cursor) to YES, and press the JOG dial button.

When the data saving is completed, the following message appears.



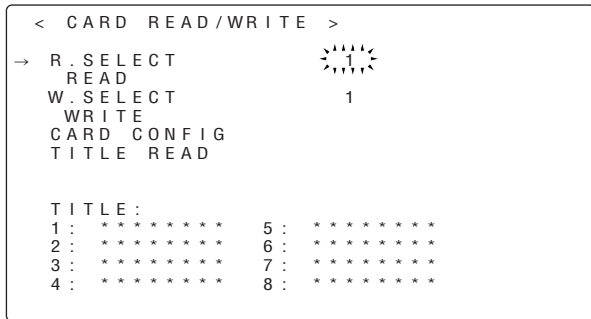
**14** Press the MENU button to exit the menu operations. The setting menu is cleared, and the displays showing the unit's current statuses appear at the top and bottom of the viewfinder screen.

## Loading the data saved on the card

**1** Perform the menu operations, and display the "CARD READ/WRITE" screen. If the data is given a title when it is saved, the title will also be displayed.

### Selecting the file No

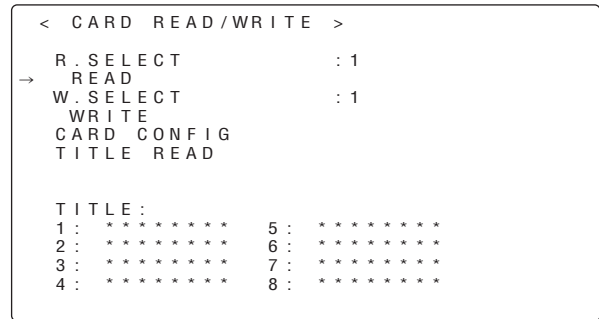
**2** Turn the JOG dial button to move the arrow (cursor) to the R.SELECT item and press the JOG dial button.



**3** Turn the JOG dial button to select any number from 1 to 8, and press the JOG dial button.

### Loading the data of the selected file

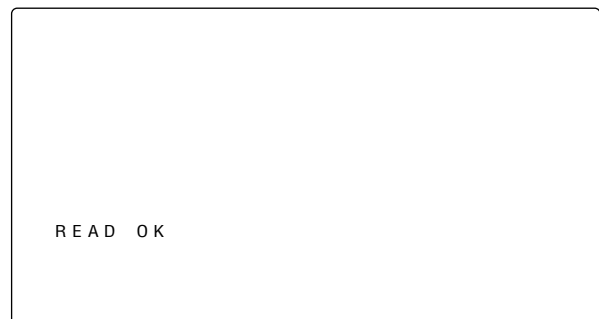
**4** Turn the JOG dial button to move the arrow (cursor) to the READ item.



**5** When the JOG dial button is pressed, the following message appears.



**6** Turn the JOG dial button to move the arrow (cursor) to YES, and press the JOG dial button. When the data loading is completed, the following message appears.



# Chapter 4 Adjustments and settings for recording

If one of the following messages appears when the JOG dial button is pressed, the data cannot be loaded.

Error message	Remedial action
READ NG NO CARD (setup card has not been inserted)	Insert the card.
READ NG FORMAT ERROR (formatting error)	The card was formatted by a device other than the unit. Replace the card.
READ NG NO FILE (file not found)	Save the file data.
READ NG ERROR (the data cannot be loaded)	Data saved by devices other than unit cannot be loaded.

- Press the MENU button to exit the menu operations.  
The setting menu is cleared, and the displays showing the unit's current statuses appear at the top and bottom of the viewfinder screen.

## 4-9-3 How to use the user data

The setting data can be written in the user area of the unit's internal memory and data written in the memory can be read from this area.

Use of this data speeds up the process of reproducing suitable setup statuses.

To write the data, first perform a menu operation to open the <INITIALIZE> screen from the FILE page, and to read the user data that has been written, first perform a menu operation to open the <SCENE> screen from the FILE page.

```
→ < INITIALIZE >
  READ FACTORY DATA
  → WRITE USER DATA
```

```
→ < SCENE >
  READ USER DATA
  SCENE SEL      : 1
  READ
  WRITE
  RESET

  TITLE1 : *****
  TITLE2 : *****
  TITLE3 : *****
  TITLE4 : *****
```

## Writing the setting data in the user area

- Perform a menu operation to open the <INITIALIZE> screen.
- Turn the JOG dial button to move the arrow (cursor) to the WRITE USER DATA item.

```
< INITIALIZE >
  READ FACTORY DATA
  → WRITE USER DATA
```

- When the JOG dial button is pressed, the following message appears.

```
WRITE?
  YES
  → NO
```

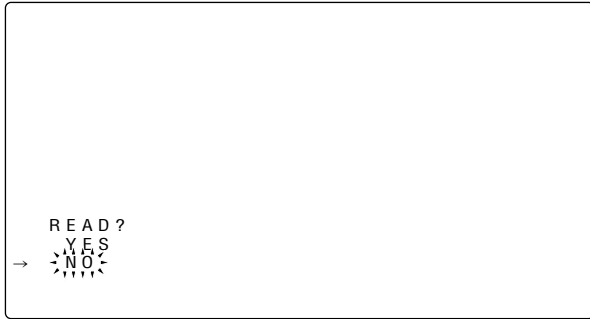
- Turn the JOG dial button to move the arrow (cursor) to YES, and press the JOG dial button.  
The setting data is now written in the user area of the unit's internal memory.
- Press the MENU button to exit the menu operations.

## Loading the user data

- Perform a menu operation to open the <SCENE> screen.
- Turn the JOG dial button to move the arrow (cursor) to the READ USER DATA item.

# Chapter 4 Adjustments and settings for recording

- 3 When the JOG dial button is pressed, the following message appears.



- 4 Turn the JOG dial button to move the arrow (cursor) to YES, and press the JOG dial button.  
The data written in the user area of the unit's internal memory is now read, and the setting is completed.

- 5 Press the MENU button to exit the menu operations.

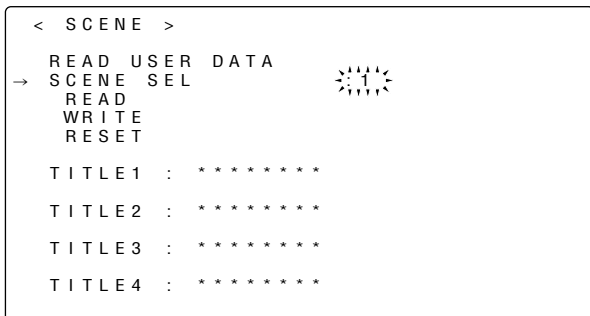
## 4-9-4 How to use the scene file data

The setting data can be written in the scene file area of the unit's internal memory and the data written can be read from this area. Up to four scene files can be registered. By using this data, the appropriate setup statuses can be established speedily.

At the factory, the unit's default statuses were set in TITLE1-4.

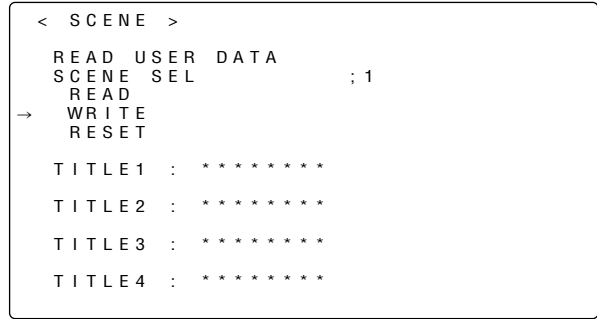
### Writing the setting data used for the scene files

- 1 Perform a menu operation to open the <SCENE> screen.
- 2 Turn the JOG dial button to move the arrow (cursor) to the SCENE SEL item.
- 3 When the JOG dial button is pressed, the scene file number starts flashing. Turn the JOG dial button to select the scene file in which data is to be saved.

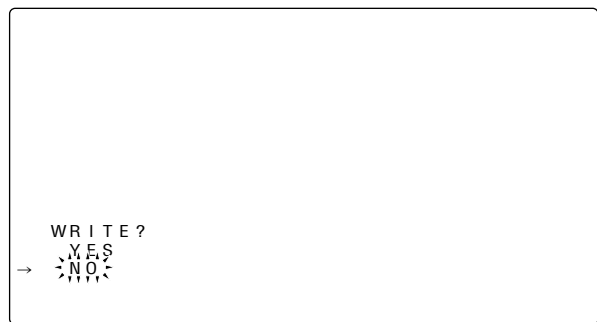


- 4 Press the JOG dial button to enter the scene file.

- 5 Turn the JOG dial button to move the arrow (cursor) to the WRITE item.



- 6 When the JOG dial button is pressed, the following message appears.

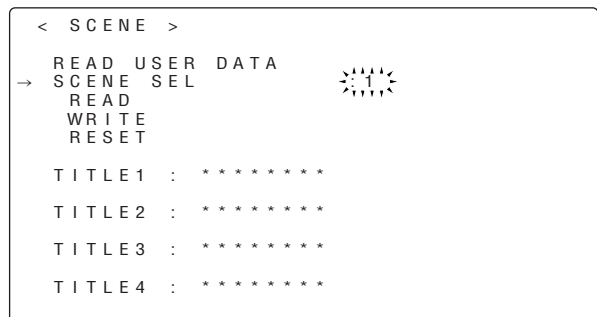


- 7 Turn the JOG dial button to move the arrow (cursor) to YES, and press the JOG dial button.  
The setting data is now stored in the scene file area of the unit's internal memory.

- 8 Press the MENU button to exit the menu operations.

### Reading the setting data used for the scene files

- 1 Perform a menu operation to open the <SCENE> screen.
- 2 Turn the JOG dial button to move the arrow (cursor) to the SCENE SEL item.
- 3 When the JOG dial button is pressed, the scene file number starts flashing. Turn the JOG dial button to select the scene file whose data is to be loaded.





# Chapter 4 Adjustments and settings for recording

4 Press the JOG dial button to enter the scene file.

5 Turn the JOG dial button to move the arrow (cursor) to the READ item.

```
< SCENE >
READ USER DATA
SCENE SEL          : 1
→ READ
WRITE
RESET

TITLE1 : *****
TITLE2 : *****
TITLE3 : *****
TITLE4 : *****
```

6 When the JOG dial button is pressed, the following message appears.

```
READ?
  YES
→ NO
```

7 Turn the JOG dial button to move the arrow (cursor) to YES, and press the JOG dial button. The data stored in the scene file area of the unit's internal memory is read, and the setting is completed.

8 Press the MENU button to exit the menu operations.

## Returning the setting data used for the scene files to the factory settings

1 Perform a menu operation to open the <SCENE> screen.

2 Turn the JOG dial button to move the arrow (cursor) to the SCENE SEL item.

3 When the JOG dial button is pressed, the scene file number starts flashing. Turn the JOG dial button to select the scene file whose data is to be reset.

```
< SCENE >
READ USER DATA
→ SCENE SEL          : 1
READ
WRITE
RESET

TITLE1 : *****
TITLE2 : *****
TITLE3 : *****
TITLE4 : *****
```

4 Press the JOG dial button to enter the scene file.

5 Turn the JOG dial button to move the arrow (cursor) to the RESET item.

```
< SCENE >
READ USER DATA
SCENE SEL          : 1
READ
WRITE
→ RESET

TITLE1 : *****
TITLE2 : *****
TITLE3 : *****
TITLE4 : *****
```

6 When the JOG dial button is pressed, the following message appears.

```
RESET?
  YES
→ NO
```

7 Turn the JOG dial button to move the arrow (cursor) to YES, and press the JOG dial button. The data stored in the scene file area of the unit's internal memory is reset and the factory settings are restored.

8 Press the MENU button to exit the menu operations.

# Chapter 4 Adjustments and settings for recording

## Appending titles to the setting data used for the scene files

- 1 Perform a menu operation to open the <SCENE> screen.
- 2 Turn the JOG dial button to move the arrow (cursor) to the scene file TITLE1, 2, 3 or 4 item where the title is to be appended.

```
< SCENE >
READ USER DATA
SCENE SEL      : 1
READ
WRITE
RESET
→ TITLE1 : *****
TITLE2  : *****
TITLE3  : *****
TITLE4  : *****
```

- 3 When the JOG dial button is pressed, the arrow (cursor) moves to the title input area, and the input mode is established.

```
< SCENE >
READ USER DATA
SCENE SEL      : 1
READ
WRITE
RESET
TITLE1 : * *****
          ↓
TITLE2  : *****
TITLE3  : *****
TITLE4  : *****
```

- 4 Press the JOG dial button again and turn it until the character to be set is displayed. When the button is turned, the character displayed is switched in the following sequence:

Space: □  
↓  
letters: A—Z  
↓  
numbers: 0—9  
↓  
symbols: ', >, <, /, -

- 5 Press the JOG dial button to enter the character.
- 6 Turn the JOG dial button to move the arrow (cursor) to the next position (right), and repeat steps 4 and 5 to set the characters (maximum of 8).
- 7 When the title has been input, turn the JOG dial button to move the arrow (cursor) to the “:” position.

- 8 When the JOG dial button is pressed, the arrow (cursor) returns to the TITLE1, 2, 3 or 4 item.
- 9 Turn the JOG dial button to move the arrow (cursor) to the WRITE item.
- 10 When the JOG dial button is pressed, the following message appears.

```
WRITE?
YES
→ NO
TITLE :
```

- 11 Turn the JOG dial button to move the arrow (cursor) to YES, and press the JOG dial button. The title is stored in the scene file area of the unit's internal memory.
- 12 Press the MENU button to exit the menu operations.

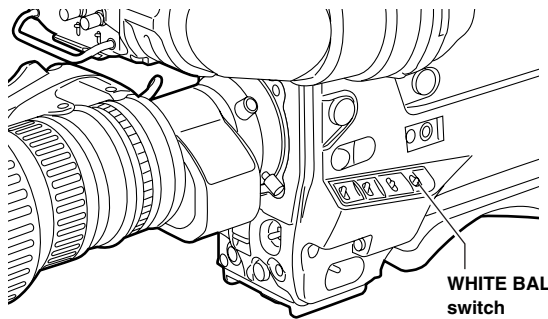
# Chapter 4 Adjustments and settings for recording

## 4-9-5 How to return the menu settings to the user standard settings

The setting statuses of the unit's menus can be returned to the user standard settings registered in 4-9-3. There are two ways to do this: one method is to read (load) the USER DATA as described in "4-9-3 How to use the user data" and the other enables the return without performing any menu operations.

### Operation method without performing FILE menu operations

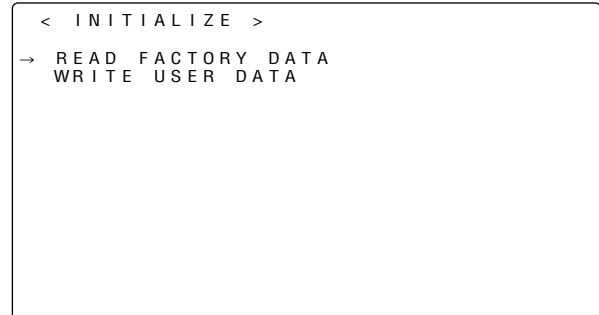
- 1 Set the POWER switch to the OFF position.
- 2 Set the WHITE BAL switch to the PRST position.



- 3 Set the POWER switch to the ON position while holding up the AUTO W/B BAL switch. The USER menu item settings are all returned together to the standard user data.

## 4-9-6 How to return the menu settings to the factory standard settings

The unit's menu setting statuses can be returned to the factory standard settings. To do this, first perform a menu operation to open the <INITIALIZE> screen from the FILE page.



### How to return the menu settings (except for the lens file data) to the factory standard settings

- ① Select the READ FACTORY DATA menu item on the <INITIALIZE> screen, and press the jog dial button.
- ② Turn the jog dial button, and move the arrow (cursor) to YES on the READ? screen.
- ③ Press the jog dial button. The menu settings are now returned to the factory standard settings.

## 4-9-7 How to use the lens file data

This unit comes with a white shading compensation function for the lens. This function enables up to six white shading compensation settings of the lens to be stored as the lens file data. Using this lens file data, the appropriate white shading adjustment can be accomplished speedily even after the lens is changed.

For details on data storing, reading and other operations, refer to "5-3 Attaching the lens and performing the flange back and white shading adjustments."

# Chapter 5 Preparation

## 5-1 Supplying the power

A battery pack or an AC power source can be used as this unit's power supply.

To use the battery pack, there is the following choice of makes of batteries:

- Anton-Bauer
- IDX
- Sony

### <Notes>

- Batteries of other makes can also be supported by changing the setting menu but no guarantees are made for the system when they are actually used with this unit.
- Before using the battery pack, recharge the battery using the battery charger.  
(For details on the recharging method, refer to the operating instructions of the battery concerned.)

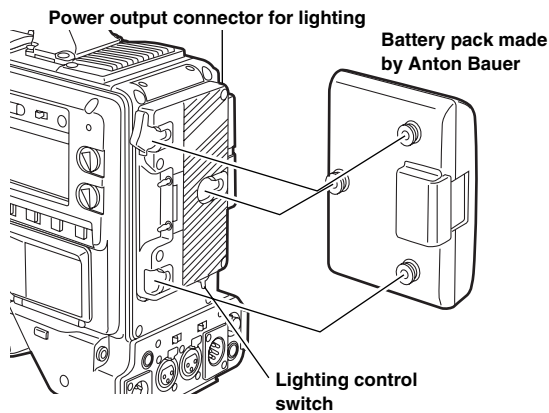
```
→< BATTERY / TAPE >
BATTERY SELECT      : DIONIC
EXT DC IN SELECT    : AC-ADPT
BATT NEAR END ALARM : OFF
BATT NEAR END CANCEL : ON
BATT END ALARM      : ON
BATT REMAIN FULL    : 70%

TAPE NEAR END ALARM : ON
TAPE NEAR END TIME  : 2min
TAPE END ALARM      : ON
TAPE REMAIN / ■     : 3min / ■
```

### 5-1-1 Attaching the battery and setting the battery type

#### Using the Anton Bauer battery pack

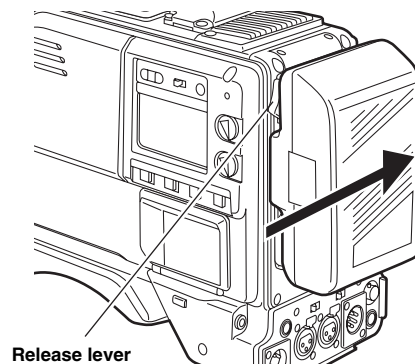
- 1 Attach the battery pack made by Anton Bauer.



### <Reference>

A battery holder made by Anton Bauer is equipped with a power output connector for the lighting and a lighting control switch to enable a light to be easily attached. For details on the lighting systems available, contact Anton Bauer.

- 2 Insert the battery pack and slide it in the direction of the arrow.



### <Reference>

To remove the battery pack, slide it in the opposite direction to the one in which it was attached while keeping the release lever on the battery holder pulled down all the way.

- 3 Set the battery type.  
Select the battery type using the BATTERY SELECT menu item. This item is selected from the <BATTERY/TAPE> screen on the VTR FUNCTION page. For details, refer to "7-8-3 BATTERY SETTING1."

#### Anton Bauer batteries which can be used

- PRO14
- TRIM14
- HYTRON50
- HYTRON100
- DIGITAL14
- DIGITAL13
- DIONIC

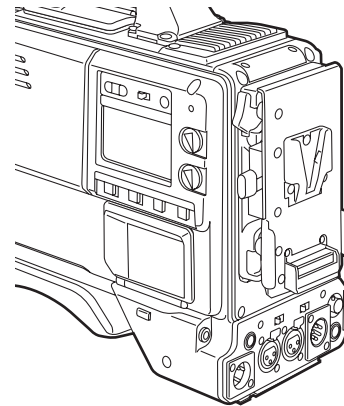
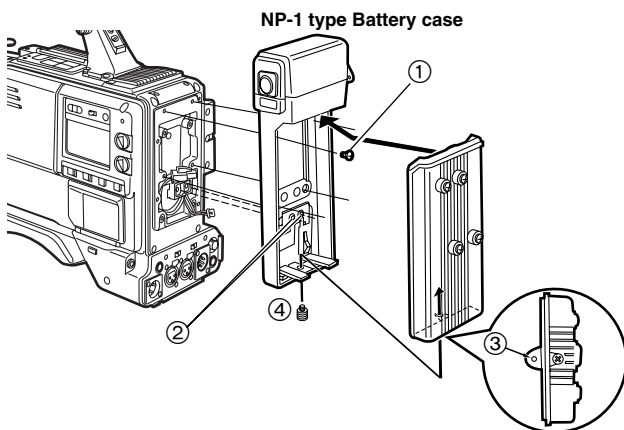
# Chapter 5 Preparation

## Using the NP-1 type battery pack

- 1 Remove the battery holder.
- 2 Attach the NP-1 type battery case to the unit.
  - ① Tighten the mounting screws.
  - ② Tighten the power contact screws.
  - ③ Insert the top of the detached cover in the direction shown by the arrows.
  - ④ Align the holes in the bottom of the cover (metal part) with the holes at the bottom of the case, and use the screws to attach the case.

**<Note>**

When mounting the battery holder, take care not to pinch the connecting cord.



- 3 Set the battery type.

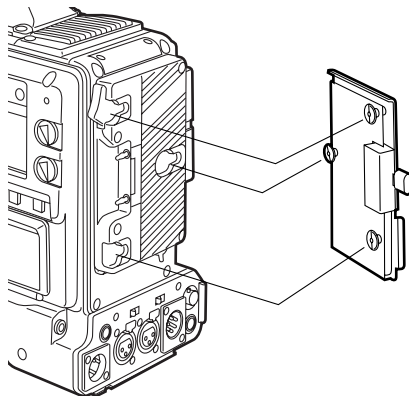
Select the battery type using the BATTERY SELECT menu item. This item is selected from the <BATTERY/TAPE> screen on the VTR FUNCTION page. When using another battery which cannot be selected using the BATTERY SELECT item setting, select TYPE A or TYPE B, and set the items that correspond to the characteristics of the battery. For details, refer to "7-8-4 BATTERY SETTING2."

**<Note>**

Address all inquiries concerning the V-mount adapter plate to your dealer.

## Using the V-mount type battery pack

Attach the V-mount adapter plate.  
Insert it in the direction shown by the arrows, and slide it into place.

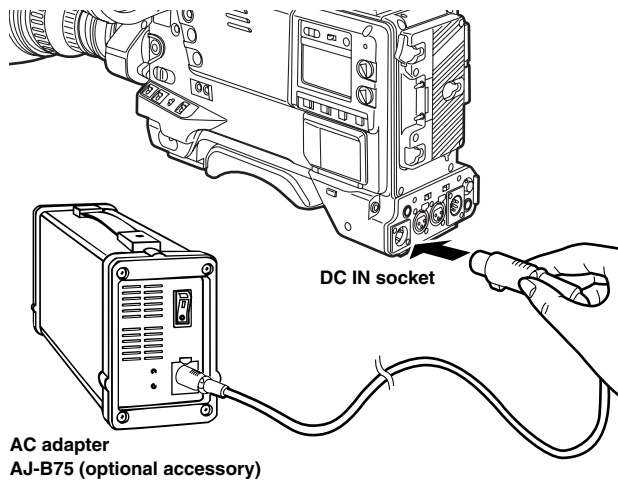


# Chapter 5 Preparation

## 5-1-2 Using an AC power supply

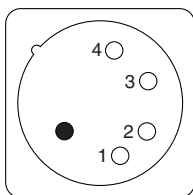
When the AJ-B75 AC adapter made by Panasonic is used

- 1 Connect the DC OUT connector on the AJ-B75 AC adapter to the DC IN socket on the unit.



- 2 Set the power of the AC adapter to ON.
- 3 Set the unit's power switch to ON.

When using an external power supply other than the AJ-B75 AC adapter, check the pin signals of its external DC input connector and use the polarities correctly. Supplying +12V power to the GND terminal by mistake may give rise to ignition, resulting in a fire, or it may cause injury.



Pin no.	Signal
1	GND
2, 3	-
4	+12V

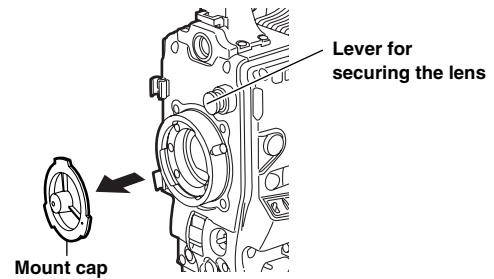
### <Notes>

- Power from the AC adapter takes precedence when both a battery pack and AC adapter have been connected. It is also possible to attach/remove a battery while the AC adapter is being used.
- When using the AC adapter, be absolutely sure to first set the power of the AC adapter to ON and then set the unit's power switch to ON. If the power is turned on in the reverse sequence, the output voltage of the AC adapter will rise gradually, and the unit may malfunction as a result.

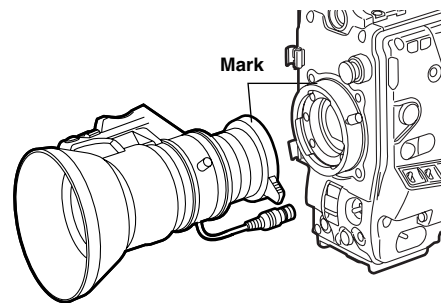
## 5-2 Attaching the lens and performing the flange back and white shading adjustments

### Attaching the lens

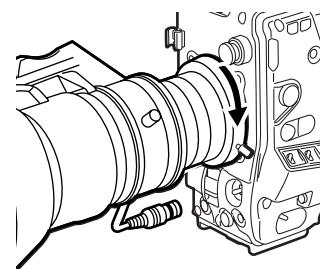
- 1 Raise the lever for securing the lens, and detach the mount cap.



- 2 Align the center mark of the lens with the groove in the top center of the lens mount, and attach the lens.



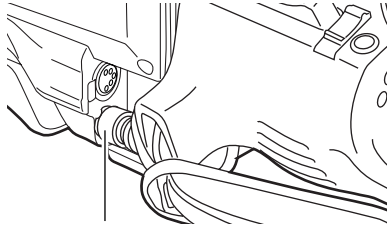
- 3 Push down the lever for securing the lens to secure the lens.





# Chapter 5 Preparation

- 4 Push the cable into the cable clamp, and connect it to the LENS socket.



LENS socket

- 5 Proceed with the flange back adjustment for the lens.

**<Notes>**

- For details on how to handle the lens, refer to the operating instructions of the lens.
- While the lens is removed, attach the mount cap to protect the unit.

## Adjusting the lens flange

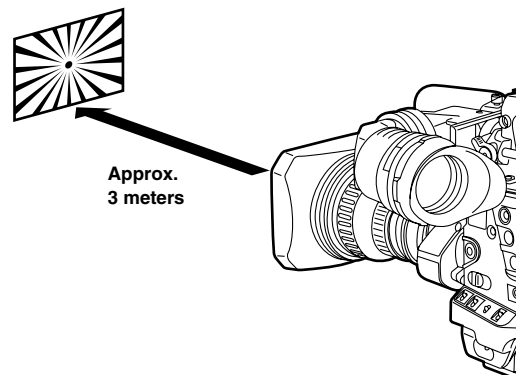
If the subject is not focused properly in the telephoto and wide-angle modes during zoom operations, adjust the flange back (distance from the lens mounting surface to the image-forming surface).

Once this adjustment is done, it need not be redone unless the lens is replaced.

**<Note>**

For details on the adjustment method and lens positions, refer also to the operating instructions that accompany the lens.

- 1 Attach the lens to the camera.  
At this stage, do not forget to connect the lens cable.
- 2 Set the lens aperture to manual and open the aperture.



- 3 Set the lighting in such a way that the appropriate video output level is achieved at a distance of about 3 meters away from the chart used for the flange back adjustment. If the video level is too high, use the filters and shutter.
- 4 Loosen the screw securing the F.f (flange focus) ring.  
**<Note>**  
On some lenses, this may be marked as F.b (flange back) ring.
- 5 Set the zoom ring to the telephoto position either manually or electrically.
- 6 Shoot the chart used for the flange back adjustment, and turn the distance ring to adjust the focus.
- 7 Set the zoom ring to the wide-angle position, and turn the F.f ring to adjust the focus.  
Take care not to move the distance ring during this process.
- 8 Repeat steps 5 to 7 until the focus is adjusted at both the telephoto and wide-angle positions.
- 9 Tighten the screw securing the F.f ring.

# Chapter 5 Preparation

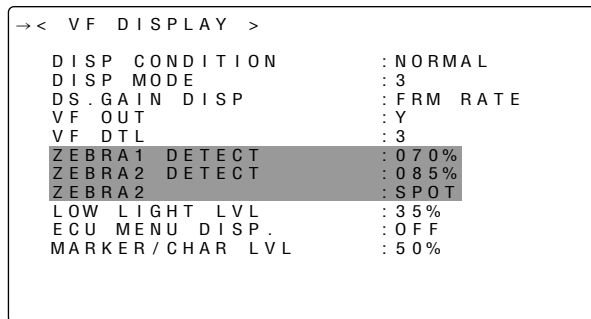
## Adjusting the white shading of the lens

The white shading is adjusted as follows.

### <Notes>

- Coloring may occur in the vertical direction near where the lens aperture is open even when the white shading has been adjusted. This is something that is inherent to lenses and optical systems and is therefore not indicative of a failure or malfunctioning.
- The white shading cannot be adjusted when the digital zoom function is working. To adjust the white shading, release the digital zoom function first (by pressing again the USER button to which D.ZOOM is allocated).

- 1** Attach the lens to the camera.  
At this stage, do not forget to connect the lens cable.
- 2** Set the electronic shutter to OFF and the gain to "L (0 dB)."
- 3** If the extender is attached to the lens, release the extender function.
- 4** Perform a menu operation to open the <GAMMA> screen from the PAINT page, and check that "STD" is selected as the GAMMA MODE SEL item setting. Then open the <VF DISPLAY> screen from the VF page, check that the settings selected for the ZEBRA1 DETECT item, ZEBRA2 DETECT item and ZEBRA2 item match the settings shown in the figure below. If they differ, make the appropriate changes, and then close the menu screen.



- 5** Set the ZEBRA switch on the viewfinder to ON.
- 6** Shoot a white sheet of paper with no unevenness of color.

### <Note>

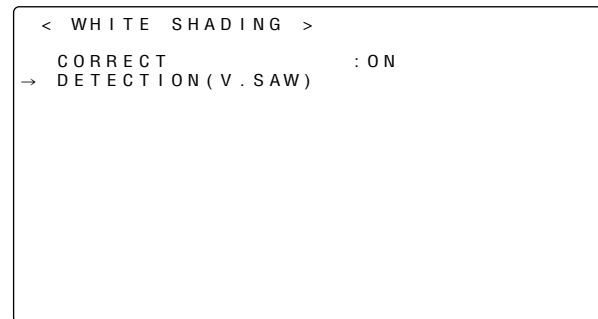
Since fluorescent lights, mercury lamps and other such kinds of lighting tend to flicker, use a light source which is free from flicker such as sunlight or a halogen lamp.

- 7** Set the lens aperture control to manual, and adjust it so that the zebra pattern covers the whole screen. Check that the lens aperture is between F4 and F10.

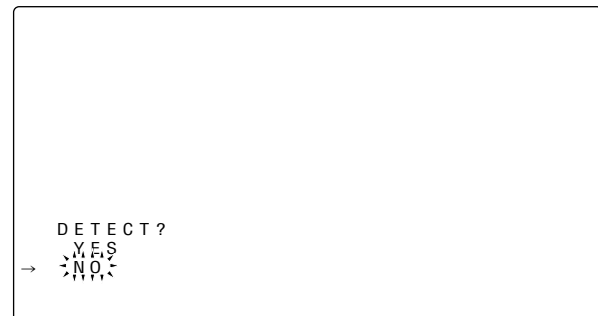
### <Notes>

- The zebra pattern will not cover the whole screen if there is any unevenness in the lighting. In this case, make adjustments to the position of the lighting, etc.
- Make adjustments to the position of the lighting, etc. also when the lens aperture is not between F4 and F10.
- Be absolutely sure to leave the electronic shutter at OFF.

- 8** ① Set the WHITE BAL selector switch to "A" or "B," and use the AUTO W/B BAL switch to adjust the white balance automatically (AWB).  
② Use the AUTO W/B BAL switch to adjust the black balance automatically (ABB).  
③ Again, use the AUTO W/B BAL switch to adjust the white balance automatically (AWB).
- 9** Repeat step 7.
- 10** Perform a menu operation to open the <WHITE SHADING> screen from the MAINTENANCE page.
- 11** Turn the JOG dial button to move the arrow (cursor) to the DETECTION (V.SAW) item, and press the JOG dial button to execute white shading compensation.



- 12** When the JOG dial button is pressed, the following message appears.



# Chapter 5 Preparation

**13** Turn the JOG dial button to move the arrow (cursor) to YES, and press the JOG dial button.

ACTIVE now appears on the screen. This indicates that the white shading is now being automatically compensated. Upon completion of the adjustments, W-SHD OK is displayed.

**<Note>**

Depending on the KNEE settings, "LEVEL OVER" may appear on the screen and white shading compensation may not be possible. If this is the case, either stop down the lens or set the AUTO KNEE OUTPUT switch to OFF, then perform a menu operation to open the <KNEE/LEVEL> screen from the PAINT screen, select "OFF" as the MANUAL KNEE item setting, and repeat steps 4 through 9. After "W-SHD OK" has appeared on the display, select "ON" again as the MANUAL KNEE item setting.

**14** When the lens is provided with an extender, turn on the extender function, and repeat steps 7 to 13.

The adjustment values of the two resulting patterns—one when the lens extender is provided and the other when it is not provided—are stored in the unit as the data of one lens file.

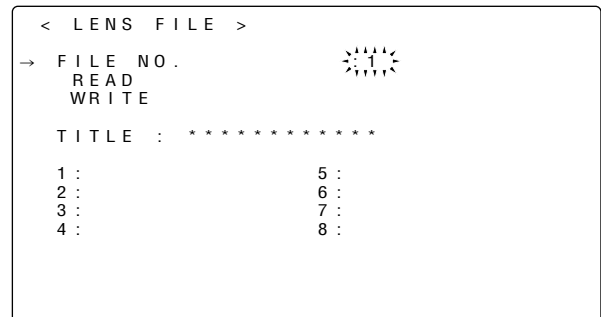
This now completes the white shading adjustments. The adjustment values are now stored in the non-volatile memory so that even when the unit's power is turned off, there will be no further need to perform the white shading adjustment.

## Storing the lens file data

The white shading adjustment values can be stored in the unit as lens file data.

### Selecting the file No.

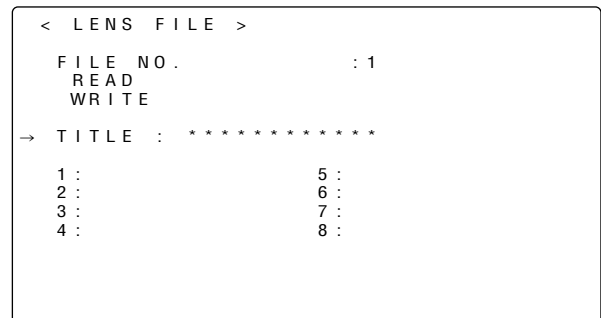
- 1 Perform a menu operation to open the <LENS FILE> screen from the FILE page, and turn the JOG dial button to move the arrow (cursor) to the FILE NO. item.
- 2 When the JOG dial button is pressed, the file number starts flashing. Turn the JOG dial button and select the lens file (1 to 8) in which the data is to be stored.



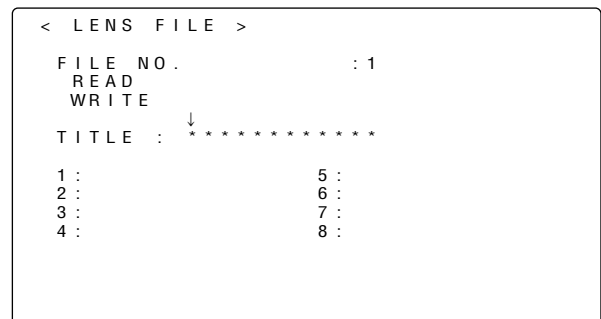
- 3 Press the JOG dial button to enter the lens file.

### Giving a title to the selected file NO.

- 4 Turn the JOG dial button to move the arrow (cursor) to the "TITLE:" item.



- 5 When the JOG dial button is pressed, the arrow (cursor) moves to the title input area, and the input mode is established.



# Chapter 5 Preparation

**6** Press the JOG dial button again and turn it until the character to be set is displayed.

When the button is turned, the character displayed is switched in the following sequence:

Space: □



letters: A—Z



numbers: 0—9



symbols: ', >, <, /, -, \*, ×

**7** Press the JOG dial button to enter the character.

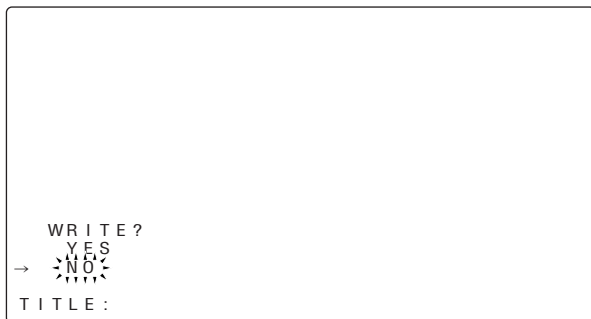
**8** Turn the JOG dial button to move the arrow (cursor) to the next position (right), and repeat steps **6** and **7** to set the characters. (No more than 12 characters may be entered.)

**9** When the characters have been input, turn the JOG dial button to move the arrow (cursor) to the “:” position.

**10** When the JOG dial button is pressed, the arrow (cursor) returns to the “TITLE:” item.

**11** Turn the JOG dial button to move the arrow (cursor) to the “WRITE” item.

**12** When the JOG dial button is pressed, the following message appears.



**13** Turn the JOG dial button to move the arrow (cursor) to YES, and press the JOG dial button.

When writing is complete, “WRITE OK” is displayed, indicating that the setting data and title have been stored in the lens file area of internal memory.

**14** Press the MENU button to exit the menu operations.

## Reading the lens file data

**1** Refer to steps **1** to **3** in “Storing the lens file data,” and enter the lens file.

**2** Turn the JOG dial button to move the arrow (cursor) to the “READ” item.

**3** When the JOG dial button is pressed, the following message appears.



**4** Turn the JOG dial button to move the arrow (cursor) to YES, and press the JOG dial button.

When reading is complete, “READ OK” is displayed, indicating that the lens file data has been read from memory.

**5** Press the MENU button to exit the menu operations.

# Chapter 5 Preparation

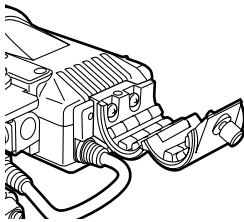
## 5-3 Audio input signal preparations

Prepare to connect the audio components which will supply the audio signals to the unit.

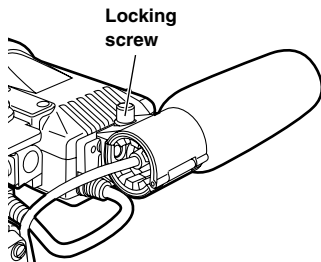
### 5-3-1 When using the front microphone

The microphone of the AJ-MC900G mic kit (optional accessory) can be attached to the viewfinder.

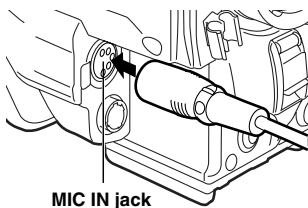
- 1 Open the mic holder.



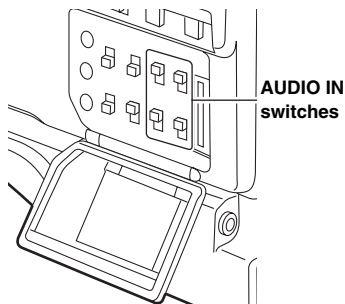
- 2 Attach the microphone, and tighten the locking screw.



- 3 Connect the microphone's connecting cable to the MIC IN jack on the camera.



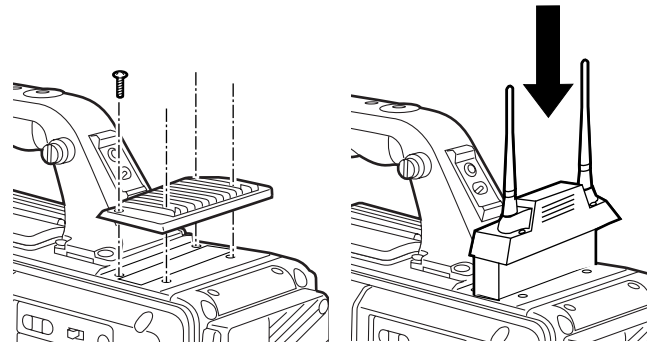
- 4 Set the AUDIO IN switch or switches to "FRONT" in accordance with the audio channel or channels whose sound is to be recorded.



### 5-3-2 When using a wireless receiver

#### When using a UniSlot wireless receiver

- 1 Remove the slot cover, insert the wireless receiver, and screw it down.



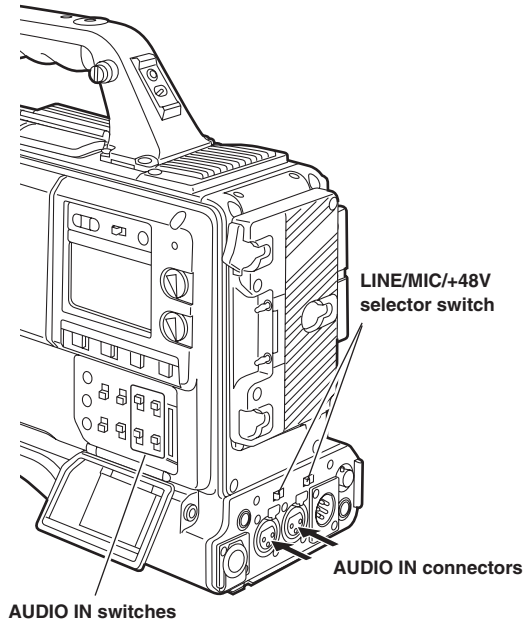
- 2 Set the AUDIO IN switches to WIRELESS for the audio channels whose audio signals are to be recorded.

5

# Chapter 5 Preparation

## 5-3-3 When using an audio component

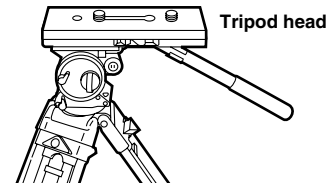
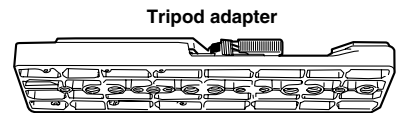
- 1 Connect the AUDIO IN connectors on the camera with the audio component using the XLR cable.
- 2 Set the AUDIO IN switch or switches for the channel or channels to which the audio component has been connected to "REAR."
- 3 Set the LINE/MIC/+48V selector switch on the rear panel to "LINE."



## 5-4 Mounting the unit on a tripod

Use the tripod adapter to mount the unit on a tripod.

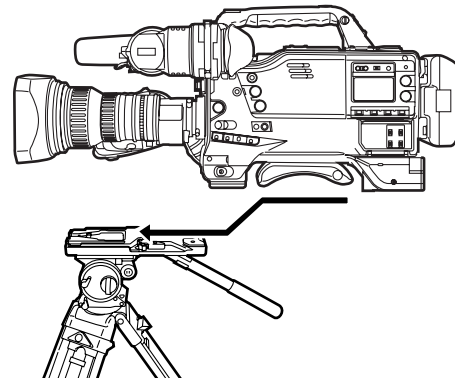
- 1 Mount the tripod adapter on the tripod.



### <Note>

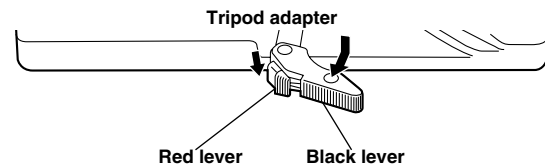
Take account of the center of gravity of the unit and that of the tripod adapter when selecting the adapter hole. Check that the diameter of the hole selected matches the diameter of the tripod head screw.

- 2 Mount the unit on the tripod adapter.



Slide the unit along the groove toward the front until it clicks into place.

### Detaching the unit from the tripod adapter



While pushing down the red lever, move the black lever in the direction of the arrow and slide the unit toward the back to remove it.

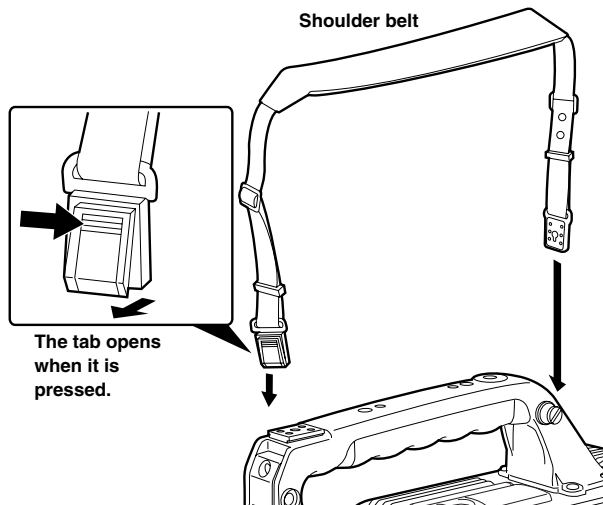
### <Note>

If the pin of the tripod adapter fails to return to its original position after the unit has been detached, again move the black lever in the direction of the arrow while pushing down the red lever, and return the pin to its original position. Bear in mind that the unit cannot be attached if the pin remains in the center.



# Chapter 5 Preparation

## 5-5 Attaching the shoulder belt



To disengage the shoulder belt, press the tabs.

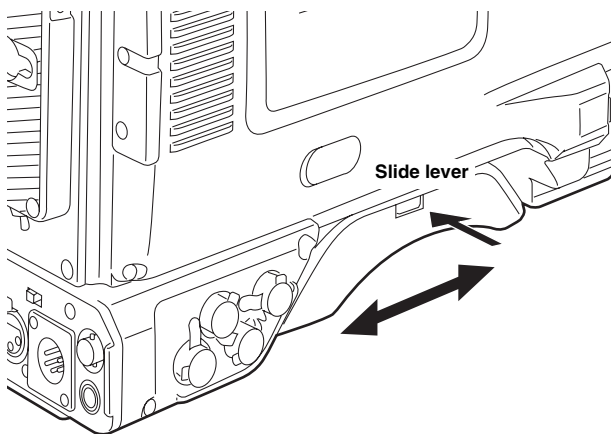
<Note>

Check that the shoulder belt is attached securely.

## 5-6 Adjusting the position of the shoulder pad

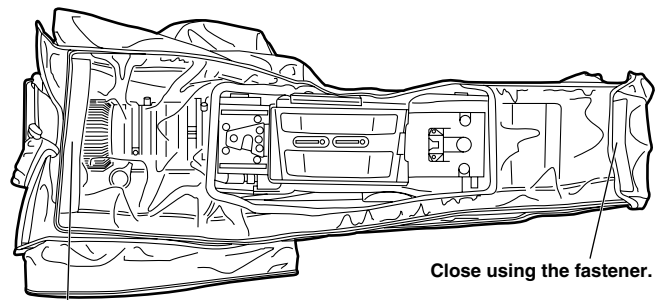
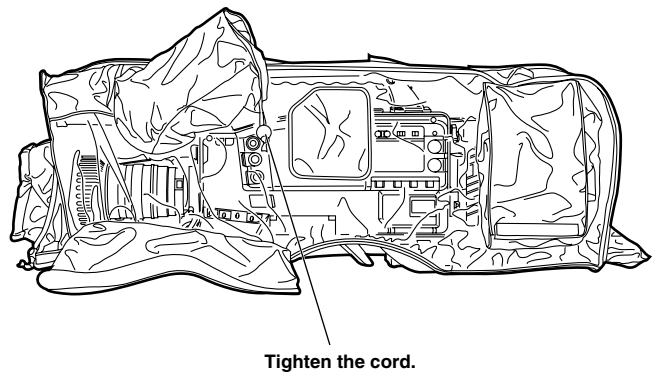
The shoulder pad can be moved while the slide lever is held down. Its position can be adjusted in 3 mm steps (up to max. of 10 steps or 30 mm) in either the front or back direction.

While holding down the slide lever, move the shoulder pad toward the front or back to the optimum shooting position.



## 5-7 Attaching the rain cover

Example showing use of the SHAN-RC700 rain cover

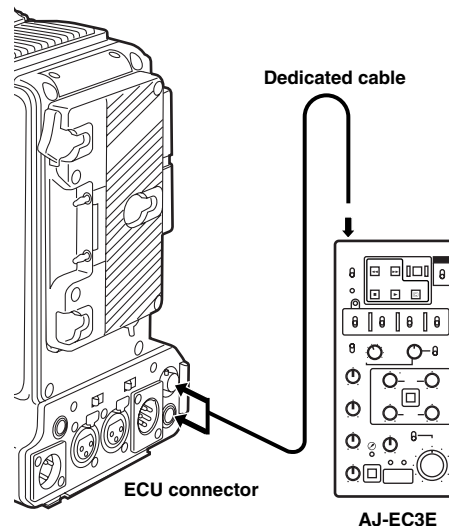


Close using the fastener.

## 5-8 Connecting the extension control unit (AJ-EC3E)

By connecting the AJ-EC3E extension control unit (optional accessory), some of the functions can be operated by remote control.

When the AJ-EC3E is connected and the POWER switches on the unit and AJ-EC3E are set to ON, the unit is automatically set to the remote control mode.



# Chapter 5 Preparation

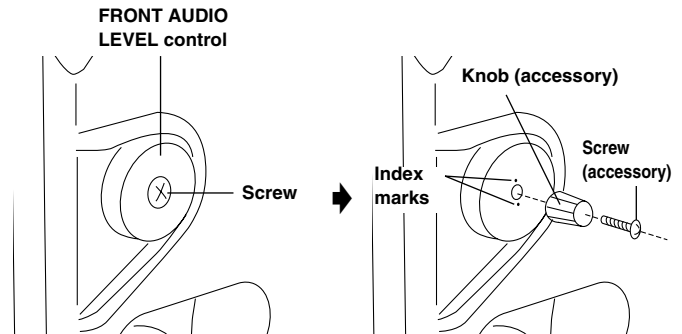
### <Notes>

- Before connecting or disconnecting the dedicated cable, be absolutely sure to set the POWER switches on the unit and the AJ-EC3E to OFF.
- If the ECU DATA SAVE item on the <SW MODE> screen is set to OFF, the camera related settings among the adjustments and settings performed using the AJ-EC3E will be erased when the unit's POWER switch is set to OFF. In addition, it will not be possible to write this data to the setup card.  
It is however possible for the menu content settings to be written on the setup card.  
When the unit is connected once again to the AJ-EC3E, the settings of the AJ-EC3E are restored.
- When ON has been selected as the ECU DATA SAVE item setting on the <SW MODE> screen, the adjustments and settings performed using the AJ-EC3E will not be erased even when the unit's POWER switch is set to the OFF position.
- The unit's USER switch does not function when the AJ-EC3E is connected.
- When the AJ-EC3E is used to control the unit's shutter, the shutter speed settings on the unit's menu are used rather than the shutter speeds engraved on the AJ-EC3E. The correspondence between the shutter speed indications on the AJ-EC3E and the unit's shutter speed settings are shown in the table below.

AJ-EC3E shutter speed indication	Unit shutter speed setting
S.S	SYNCHRO SCAN
S.V	POSITION1
100 (60)	POSITION1
120	POSITION2
250	POSITION3
500	POSITION4
1000	POSITION5
2000	POSITION6

## 5-9 Attaching the FRONT AUDIO LEVEL control knob

When the FRONT AUDIO LEVEL control is to be operated frequently, the accessory knob can be attached to make it easier to operate the control.



Remove the screw at the center of the FRONT AUDIO LEVEL control, and secure the accessory knob to the control and unit behind using the same screw (accessory). Make sure that the index mark on the knob side is aligned with the index mark on the control side.

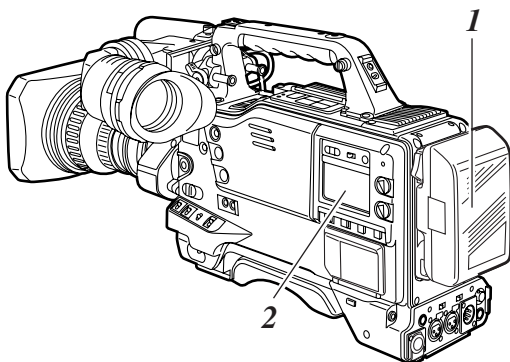
# Chapter 6 Maintenance and inspections

## 6-1 Inspections prior to shooting

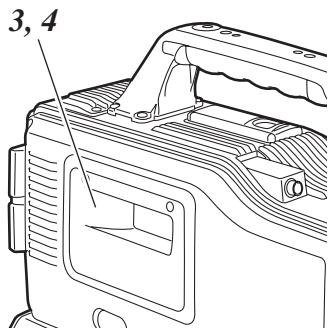
Before setting off for a shooting session, perform the following inspections to verify that the system is functioning correctly. It is recommended that a color video monitor be used to check the images.

### 6-1-1 Preparation for inspections

- 1 Insert a fully charged battery.
- 2 Set the POWER switch to ON, and check that the HUMID display has not come on and that at least 5 segments of the BATTERY display are lighted.
  - If the HUMID display has come on, wait until it goes off.
  - If fewer than 5 segments of the BATTERY display have lighted, replace the battery with one having an adequate charge.



- 3 Check that there are no cables near the cassette holder or top panel, and then press the EJECT button to open the cassette holder.
- 4 After checking the following points, insert the cassette tape and close the cassette holder.
  - The cassette tape must not be set to the accidental erasure prevention mode.
  - There must be no tape slack.
  - The tape must be free from condensation.



### 6-1-2 Inspecting the camera unit

- 1 Set the zoom to the motorized zoom mode, and check its operations in this mode.  
Check that the image changes when the zoom is set to the telephoto and wide-angle positions.
- 2 Set the zoom to the manual zoom mode, and check its operations in this mode.  
Turn the manual zoom lever, and check that the image changes when the zoom is set to the telephoto and wide-angle positions.
- 3 Set the aperture to the auto adjustment mode, point the lens at some objects with different brightness levels, and check that the auto aperture adjustment works.
- 4 Set the aperture to the manual adjustment mode, turn the aperture ring, and check that the manual aperture is adjusted.
- 5 While holding down the auto instantaneous aperture adjustment button, point the lens at some objects with different brightness levels, and check that the auto instantaneous aperture adjustment function works.
- 6 Return the aperture to the auto adjustment mode, switch the GAIN switch setting to L, M and H, and check that:
  - The aperture is adjusted for objects of the same brightness level in tandem with the switching of the gain setting.
  - The gain displayed on the viewfinder screen is switched in tandem with the switching of the gain setting.
- 7 When a lens with an extender has been installed, set the extender to the operating position, and check that it works properly.

# Chapter 6 Maintenance and inspections

---

## 6-1-3 Inspecting the VTR unit

Perform all the steps outlined in section "1. Tape travel inspection" through section "4. Earphone and speaker inspection" one after the other.

### 1. Tape travel inspection

- 1** Set the VTR SAVE/STBY switch to SAVE, and check that the VTR SAVE lamp inside the viewfinder lights.
- 2** Set the VTR SAVE/STBY switch to STBY, and check that the VTR SAVE lamp goes off.
- 3** Set the TCG switch to R-RUN.
- 4** Set the DISPLAY switch to CTL.
- 5** Press the unit's REC START button, and check that:
  - The tape reels rotate.
  - The figure shown on the counter display changes.
  - The REC lamp inside the viewfinder lights.
  - The RF and SERVO displays do not appear in the display window.
- 6** Press the unit's REC START button again. Check that the tape stops and the REC lamp inside the viewfinder goes off.
- 7** Use the lens VTR button to check the same operations as in steps 5 and 6.
- 8** Press the RESET button, and check that "00:00:00:00" appears on the counter display.
- 9** Set the LIGHT switch to ON, and check that the display window illuminates.
- 10** Press the REW button, and after the tape has been rewound for a few seconds, press the PLAY/PAUSE button.  
Check that the tape is recorded, played back and rewound properly.
- 11** Press the FF button, and check that the tape is fast forwarded properly.

### 2. Automatic audio level adjustment function inspection

- 1** Set the AUDIO SELECT CH1 and CH2 switch to AUTO.
- 2** Set the AUDIO IN CH1 and CH2 switches to FRONT.
- 3** Point the microphone connected to the MIC IN jack at a suitable sound source, and check that the changes in the level displays for both CH1 and CH2 reflect the changes in the strength of the sound.

### 3. Manual audio level adjustment function inspection

- 1** Set the AUDIO IN CH1 and CH2 switches to FRONT.
- 2** Set the AUDIO SELECT CH1 and CH2 switch to MAN.
- 3** Turn the AUDIO LEVEL CH1 and CH2 controls. Check that when they are turned clockwise, the level displays increase.

### 4. Earphone and speaker inspection

- 1** Set the VTR SAVE/STBY switch to STBY.
- 2** Turn the MONITOR control, and check that the speaker volume changes.
- 3** Connect the earphones to the PHONES jack. Check that the sound from the speaker is muted, and that the microphone's sound is heard in the earphones.
- 4** Turn the MONITOR control, and check that the earphone volume changes.

# Chapter 6 Maintenance and inspections

## 5. Inspection using external microphones

- 1** Connect external microphones to the AUDIO IN CH1 and CH2 jacks.
- 2** Set the AUDIO IN CH1 and CH2 switches to REAR.
- 3** Set the LINE/MIC/+48V selector switch on the back panel to MIC or +48V in accordance with the external mic's power supply type.  
**MIC** : Internal power supply mic.  
**+48V** : External power supply mic.
- 4** Point the microphones at the sound source, and check that the changes in the audio levels displayed on the audio level meter of the display window and in the viewfinder reflect the changes in the strength of the sound.  
This inspection can also be performed for each channel by connecting one of the microphones to each channel in turn.

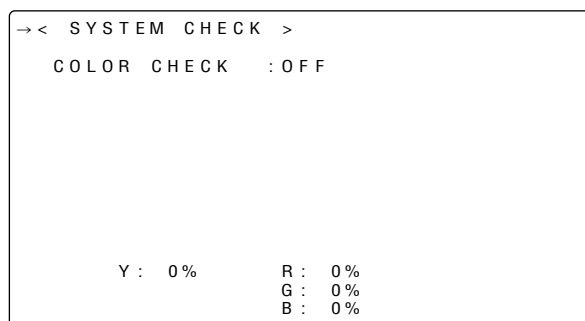
## 6. Inspections relating to the time code and user bits

- 1** Set the user bits as required.  
For details on the setting procedure, refer to "4-5-1 Setting the user bits."
- 2** Set the time code.  
For details on the setting procedure, refer to "4-5-3 Setting the time code."
- 3** Set the TCG switch to R-RUN.
- 4** Press the REC START button.  
Check that the figure on the counter display changes as the tape travels.
- 5** Press the REC START button again.  
Check that the tape stops and the figure shown on the counter display stops changing.
- 6** Set the TCG switch to F-RUN.  
Check that the figure on the counter display changes irrespective of the tape travel.
- 7** Set the DISPLAY switch to UB.  
Check that pressing the HOLD button advances the display value through the sequence VTCG → DATE → TIME → no display (time zone) → TCG.

## 6-1-4 Self-diagnosis function

Simplified checks can be undertaken on the unit's system at such times when, for instance, a color video monitor is not available.

Perform menu operations to open the <SYSTEM CHECK> from the MAINTENANCE page. Check the camera output level setting under the COLOR CHECK item.



# Chapter 6 Maintenance and inspections

## 6-2 Maintenance

### 6-2-1 Condensation

The water vapor in the air may form as tiny droplets on the head drum when the unit is moved from a cold location to a warm location or used in a very humid place. This phenomenon is known as condensation, and running the tape under these conditions is liable to cause the tape to stick to the drum.

Note the following points:

- Remove the tape when the unit's operation is to be started in conditions where condensation may form.
- Before loading the tape, set the power switch to ON, and check that the HUMID display is not lighted in the display window.

#### <Note>

For safety reasons, the HUMID display will flash and the drum will rotate for 80 minutes after condensation detection is released.

During this time, the operation buttons cannot be operated.

### 6-2-2 Head cleaning

Use the AJ-CL12MP cleaning cassette if the heads need to be cleaned. Take care to read the instructions accompanying the cleaning tape since the video heads may be damaged if the tape is not used in the correct way.

### 6-2-3 Cleaning inside the viewfinder

- Do not use thinners or any other solvent to remove dirt.
- Use a lens cleaner available on the market to wipe the lens.
- NEVER wipe the mirror.

If dirt or dust has found its way onto the mirror, remove it using an air blower at retail outlets.

### 6-2-4 Phenomena inherent to CCD cameras

#### Smear

This phenomenon may occur when very bright subjects are shot.

The faster the electronic shutter speed, the more likely it is that it will occur.

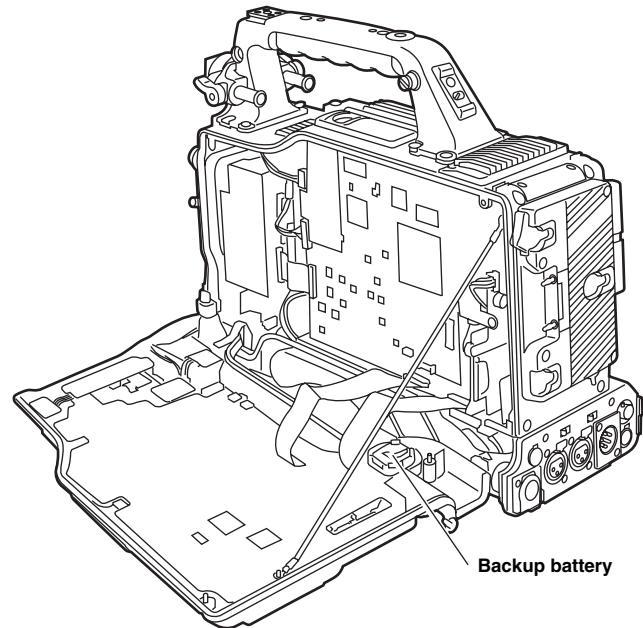
### 6-2-5 Replacing the backup battery

The backup battery is already installed when the unit is shipped.

When it has discharged, the "BACK UP BATT EMPTY" display appears for 3 seconds on the viewfinder screen when the POWER switch is set to ON.

Moreover, the time code value of the TCG will be set to "00:00:00:00" and the backup of the time code value will no longer be possible: this means that the backup battery should be replaced.

Consult with your nearest service center, and replace the spent battery with a new battery (CR2032).



#### CAUTION:

These servicing instructions are for use by qualified service personnel only. To reduce the risk of electric shock, do not perform any servicing other than that contained in the operating instructions unless you are qualified to do so.

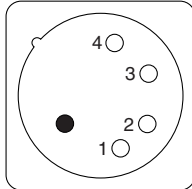


# Chapter 6 Maintenance and inspections

## 6-2-6 Connectors and signals

DC IN	
1	GND
2	NC
3	NC
4	+12V

Matsushita part number K1AA104H0024  
 Maker part number HA16RX-4P(SW1)  
 (Hirose Denki)

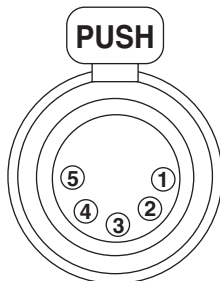


**<Note>**

Ensure that the polarities are used correctly for a power supply from an external source.

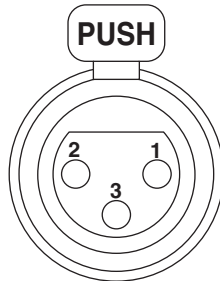
FRONT MIC IN	
1	GND
2	L CH IN(H)
3	L CH IN(C)
4	R CH IN(H)
5	R CH IN(C)

Matsushita part number K1AB105B0002  
 Maker part number NC5FBH  
 (NEUTRIK)



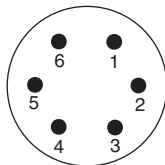
AUDIO IN	
1	GND
2	AUDIO IN(H)
3	AUDIO IN(C)

Matsushita part number K1AB103A0007  
 Maker part number HA16PRM-3SG  
 (Hirose Denki)



GPS	
1	GPS TXA
2	GPS RXA
3	GPS VBAT
4	START
5	GPS VCC
6	GPS GND

Matsushita part number K1AB106J0010  
 Maker part number HR10A-7R-6SC  
 (Hirose Denki)

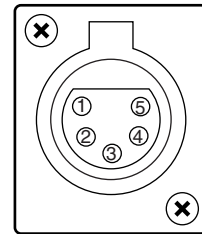


**<Note>**

The unit's REC START/STOP signal is assigned to pin 4.

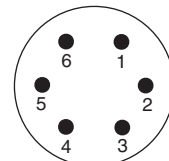
AUDIO OUT	
1	GND
2	L CH OUT (H)
3	L CH OUT (C)
4	R CH OUT (H)
5	R CH OUT (C)

Matsushita part number K1AA105H0007  
 Maker part number HA16RD-5P  
 (Hirose Denki)



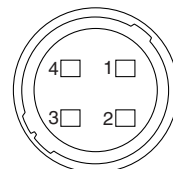
ECU	
1	CAM CONT
2	CAM DATA
3	NC
4	ECU ON
5	UNREG 12V
6	GND

Matsushita part number K1AB106J0010  
 Maker part number HR10A-7R-6SC  
 (Hirose Denki)



DC OUT	
1	GND
2	NC
3	NC
4	+12V OUT

Matsushita part number VJS3824A004  
 Maker part number HR10A-7R-4SC  
 (Hirose Denki)



# Chapter 6 Maintenance and inspections

## 6-3 Warning system

### 6-3-1 Warning description tables

When an error or a problem is detected immediately after the power is turned on or while an operation is underway, the WARNING lamp and lamps inside the viewfinder serve to alert the user.

**<Note>**

Items are displayed in the following sequence of priority: WARNING lamp > tally lamp > warnings inside the viewfinder. The display accords with this sequence when more than one error has occurred at the same time. However, WIRELESS RF may not be displayed depending on the menu setting selected.

#### 1. SLACK

Indications on LCD screen	"SLACK" appears and an error code flashes.
WARNING lamp	Flashes four times a second.
Tally lamp	Flashes four times a second.
Viewfinder	"SLACK" appears and an error code lights up.
Alarm	Sounds continuously.
Warning description	Motor, solenoid or other mechanism-related trouble, etc.
VTR unit operation	Operation is stopped. Power is turned off if solenoid trouble has been detected.
Corrective action	Check "6-3-2 Error codes," and consult your nearest service center.

#### 2. BATTERY END

Indications on LCD screen	The bar display that shows the remaining battery charge starts flashing.
WARNING lamp	Lights.
Tally lamp	Flashes once a second.
Viewfinder	BATT LED lights.
Alarm	Sounds continuously.
Warning description	The battery charge is now depleted.
VTR unit operation	All operations are stopped, and the tape is unloaded. Only cassette tape eject is accepted.
Corrective action	Replace the battery.

#### 3. TAPE END

Indications on LCD screen	The bar display that shows the remaining tape amount starts flashing.
WARNING lamp	Lights (during stop and standby OFF).
Tally lamp	Flashes four times a second (during stop and standby OFF).
Viewfinder	"END" flashes (during stop and standby OFF).
Alarm	Sounds continuously (during stop and standby OFF).
Warning description	The tape has come to its end.
VTR unit operation	Operation is stopped during recording, playback and fast forwarding.
Corrective action	Rewind the tape or replace the cassette tape.

#### 4. REC WARNING

Indications on LCD screen	The code 11 display lights.
WARNING lamp	Flashes four times a second (for at least 3 seconds during recording).
Tally lamp	Flashes four times a second (for at least 3 seconds during recording).
Viewfinder	REC WARNING display flashes (for at least 3 seconds during recording).
Alarm	Sounds four times a second (for at least 3 seconds during recording).
Warning description	Problem with the recording control signal.
VTR unit operation	Recording continues but the signals may not be recorded correctly while the warning remains displayed.
Corrective action	Rewind the tape or replace the cassette tape.

#### 5. HUMID

Indications on LCD screen	"HUMID" display lights if condensation is detected. "HUMID" display flashes for an additional 10 to 90 minutes after condensation detection is canceled.
WARNING lamp	Lights for 90 minutes following the release of the condensation detection after the condensation formation was detected.
Tally lamp	Flashes 4 times per second for 90 minutes after condensation detection is canceled.
Viewfinder	"HUMID" display flashes from the time condensation is detected until 90 minutes after the condensation detection is released.
Alarm	Sounds continuously (4 times a second during recording).
Warning description	Condensation has formed.
VTR unit operation	The recording operation continues but if the tape sticks, recording will stop. For 80 minutes after the condensation detection is released, the drum is rotated and no operations are accepted.
Corrective action	Stop the tape travel and turn off the power. If the "HUMID" display fails to be cleared even when the power is turned back on, wait until it clears.

# Chapter 6 Maintenance and inspections

## 6. SERVO

Indications on LCD screen	"SERVO" display lights (during recording and playback).
WARNING lamp	Flashes four times a second (during recording and playback).
Tally lamp	Flashes four times a second (during recording and playback).
Viewfinder	"SERVO" display lights (during recording and playback).
Alarm	Sounds four times a second (during recording and playback).
Warning description	The servo is disturbed.
VTR unit operation	Operation continues but the unit may not operate correctly.
Corrective action	Turn off the power and consult your dealer. The warning display may flash for a moment and then disappear when tape transport commences: this is normal and not indicative of a failure or malfunctioning.

## 7. RF

Indications on LCD screen	"RF" display flashes (during standby and recording).
WARNING lamp	Flashes four times a second (during recording).
Tally lamp	Flashes four times a second (during recording).
Viewfinder	"RF" display lights (during recording).
Alarm	Sounds four times a second (during recording).
Warning description	The video heads have become clogged. There is a problem in the video system.
VTR unit operation	The cleaning rollers are activated to clean the heads (for a maximum of 3 seconds). Recording continues but the signals may not be recorded correctly. The indications on LCD screen are retained until the REC/PAUSE status is established. They go off as soon as the unit transfers from the REC/PAUSE mode to another mode.
Corrective action	Clean the heads. If the signals cannot be recorded correctly even after cleaning, consult your nearest service center.


## 8. WIRELESS RF

Indications on LCD screen	No indication
WARNING lamp	Flashes four times a second (during standby and recording).
Tally lamp	Flashes four times a second (during recording).
Viewfinder	"WIRELESS RF" display lights for at least 3 seconds during recording.
Alarm	Sounds four times a second (for at least 3 seconds during standby and recording).
Warning description	Poor wireless signal reception.
VTR unit operation	Operation continues but the signals from the wireless microphone cannot be received.
Corrective action	Check the microphone's power supply and the reception condition of the receiver.

## 9. BATTERY NEAR END

Indications on LCD screen	The bar display that shows the remaining battery charge starts flashing.
WARNING lamp	Flashes once a second.
Tally lamp	Flashes once a second.
Viewfinder	BATT LED starts flashing.
Alarm	Sounds four times a second.
Warning description	The battery charge is nearly depleted.
VTR unit operation	Operation continues.
Corrective action	Replace the battery when it becomes necessary.

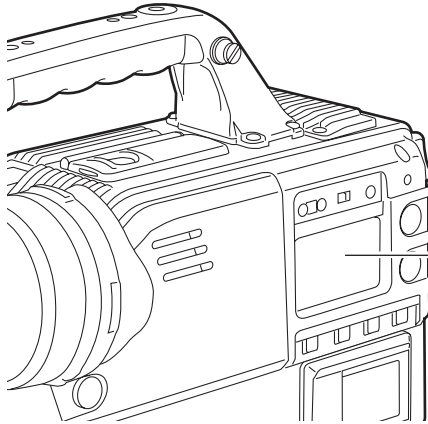
## 10. TAPE NEAR END

Indications on LCD screen	The bar display that shows the remaining tape amount starts flashing.
WARNING lamp	Flashes once a second (during recording).
Tally lamp	Flashes once a second (during recording).
Viewfinder	<ul style="list-style-type: none"> <li>The remaining tape display starts flashing (in the EE mode).</li> <li>"" flashes for 3 seconds one minute before the tape reaches the end.</li> </ul>
Alarm	Sounds once a second.
Warning description	The tape is close to its end (about 2 minutes remain).
VTR unit operation	Operation continues.
Corrective action	Replace the cassette tape when it becomes necessary.

# Chapter 6 Maintenance and inspections

## 6-3-2 Error codes

One of the following error codes appears in the display window when an error has occurred in the unit for some reason.

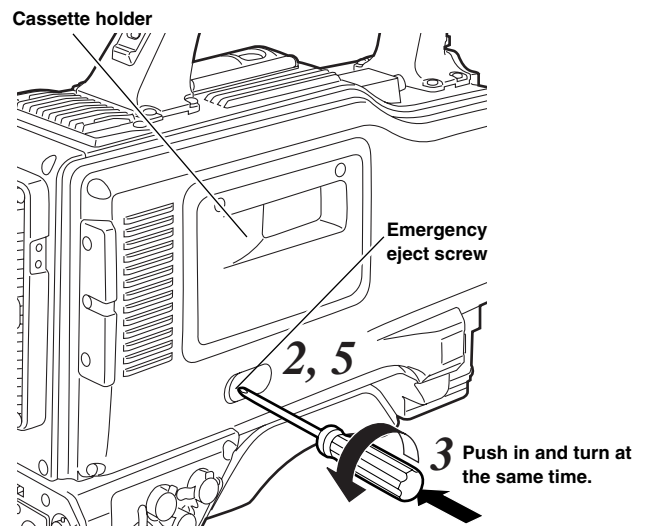


Code No.	Description of error
04	Pinch solenoid problem
08	Cleaning solenoid problem
0B	Supply reel problem
0C	Take-up reel problem
0D	Capstan problem
0E	Cylinder problem
0F	Loading problem
38	Servo transmission problem
3F	Camera transmission problem
6F	Reference signal problem
11	Video initialization problem

## 6-3-3 Emergency eject

If the cassette cannot be ejected by pressing the EJECT button, use a screwdriver or similar tool to press and turn the emergency eject screw. This enables the cassette to be removed.

- 1 Set the power to OFF.
- 2 Remove the rubber cap where shown in the figure. Insert a Phillips head screwdriver into the cross-shaped part of the emergency eject screw (red).
- 3 While pushing in with the screwdriver, turn the emergency eject screw counterclockwise until the tape is ejected.
  - This screw needs to be rotated through about 20 turns after the first turn until the unloading can be started.
  - It also needs to be rotated through about 90 turns after the first turn until the tape is ejected.
- 4 Remove the cassette.
- 5 Return the rubber cap to its original position.

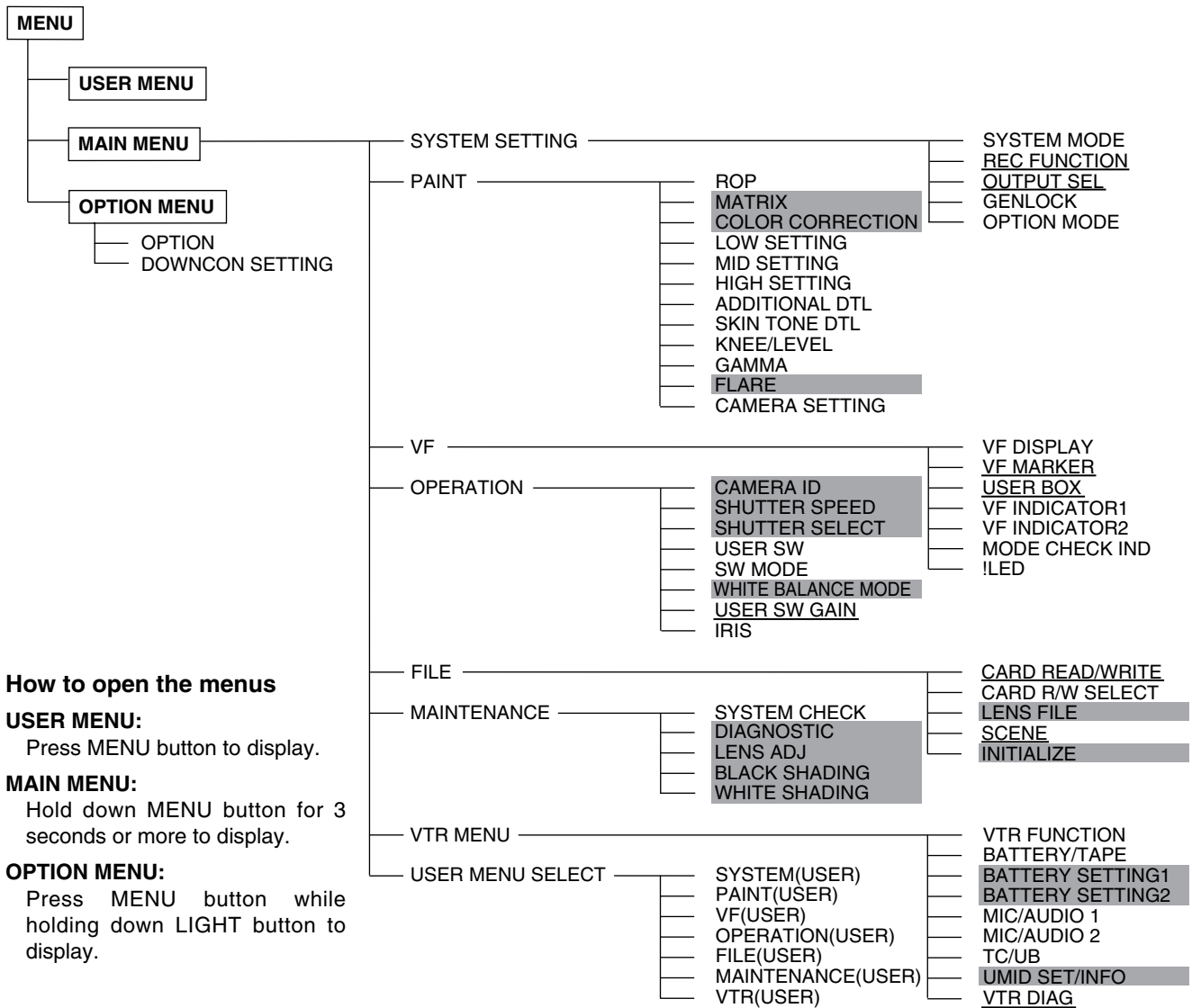


### <Notes>

- Do not turn the emergency eject screw except in an emergency.
- **Do not turn the screw clockwise. Stop turning the screw as soon as the tape is ejected. Otherwise, the mechanism may be damaged.**
- After the tape is ejected, the cassette holder will not lock into place even when an attempt is made to close it. Be sure to turn the power off and turn it back on to reset the mechanism's operation, and then close the cassette holder.
- A clicking sound will be heard when the emergency eject screw is turned: this sound is made by the reel drive operation and is therefore not indicative of a malfunction.

# Chapter 7 Menu description tables

## 7-1 Menu configuration



### How to interpret the menu lists

The following abbreviations indicate whether the menu changes are stored (written) in the corresponding data or loaded (read) from the data. The changes cannot be stored or loaded when "/" is indicated.

- S:** The changes can be stored or loaded as scene file data.
- C:** The changes can be stored or loaded using CARD READ/WRITE.
- U:** The changes can be stored or loaded as user data. Refer to sections "7-6-4 SCENE" and "7-6-5 INITIALIZE."
- F:** The changes can be stored or loaded as READ FACTORY DATA. Refer to section "7-6-5 INITIALIZE."
- E:** The changes can be stored or loaded using ECU DATA SAVE. Refer to section "5-9 Connecting the extension control unit (AJ-EC3E)."

This column indicates the variable range in which the item can be set and the choice of the settings which can be selected for the item.

Described in this column are the operations which can be expected to result when the item's settings are selected.

# Chapter 7 Menu description tables

## 7-2 SYSTEM SETTING

### 7-2-1 SYSTEM MODE

Item/ Data storage	Variable range	Remarks
CAMERA MODE	50i 25P	For selecting the camera's operation mode. <b>50i:</b> The camera operates in the 50i mode. <b>25P:</b> The camera operates in the 25P mode.
<u>S</u>   <u>C</u>   <u>U</u>   <u>F</u>   <u>E</u>		

### 7-2-2 REC FUNCTION

Item/ Data storage	Variable range	Remarks
INTERVAL REC MODE	ON ONE SHOT OFF	For setting the INTERVAL REC function. <b>ON:</b> Interval recording is possible in single-frame units. <b>ONE SHOT:</b> Recording is performed only once for the time set in the REC TIME item, after which it stops. <b>OFF:</b> Interval recording is not performed. <b>&lt;Note&gt;</b> The OFF setting is restored when the power is turned off.
<u> </u>   <u> </u>   <u> </u>   <u> </u>   <u>F</u>   <u> </u>		
REC TIME	00s01f : 59s24f	For setting the recording time (one cut). The shortest time is one frame.
<u> </u>   <u>C</u>   <u>U</u>   <u>F</u>   <u> </u>   <u> </u>		
PAUSE TIME	00h00m00s01f : 00h04m59s24f : 23h59m59s24f	For setting the recording pause time. The shortest time is one frame.
<u> </u>   <u>C</u>   <u>U</u>   <u>F</u>   <u> </u>   <u> </u>		
TAKE TOTAL TIME	NONE : 5day	For setting the time required for shooting. Select a setting from NONE (shooting continues until it is stopped manually) to 5DAY (5 days).
<u> </u>   <u>C</u>   <u>U</u>   <u>F</u>   <u> </u>   <u> </u>		
TOTAL REC TIME	00m00s01f : 90m59s24f OVER 100min NONE	For displaying the total recording time. The setting for this time cannot be changed. The total time yielded by adding the REC TIME, PAUSE TIME and TOTAL TAKE TIME is displayed.
<u> </u>   <u> </u>   <u> </u>   <u> </u>   <u> </u>   <u> </u>		
AUDIO REC	OFF ON	For setting whether or not to record the sound.
<u> </u>   <u>C</u>   <u>U</u>   <u>F</u>   <u> </u>   <u> </u>		
START DELAY	0SEC : 10SEC	For setting the time taken until recording is to start after the REC START button is pressed in the INTERVAL REC mode.
<u> </u>   <u>C</u>   <u>U</u>   <u>F</u>   <u> </u>   <u> </u>		
PRE REC MODE	OFF 0SEC : 10SEC	For setting the PRE REC function. <b>OFF:</b> The PRE REC function is not operable. <b>0-10SEC:</b> The duration for which pre-recording can be performed after the REC START button is pressed is set here.
<u> </u>   <u>C</u>   <u>U</u>   <u>F</u>   <u> </u>   <u> </u>		
RETAKE MODE	ON OFF	For selecting whether or not to allow retake operations (MODE CHECK switch + RET switch). <b>&lt;Note&gt;</b> The OFF setting is restored when the power is turned off.
<u> </u>   <u> </u>   <u> </u>   <u> </u>   <u>F</u>   <u> </u>		

The underlining in the variable range column indicates the setting in the preset mode.

### 7-2-3 OUTPUT SEL

Item/ Data storage	Variable range	Remarks
OUTPUT CHAR	TC STATUS MENU ONLY	For setting the type of characters to be superimposed onto the output signals of the VIDEO OUT connector and HD SDI connector. <b>TC:</b> The time code is displayed. (The menu appears when the menu is displayed.) <b>&lt;Note&gt;</b> The time code display position moves vertically in accordance with the camera ID position. <b>STATUS:</b> All the same characters as the ones superimposed on the viewfinder are displayed. (The menu appears when the menu is displayed.) <b>MENU ONLY:</b> Only appears when the menu is displayed. Normally, nothing is displayed
<u> </u>   <u>C</u>   <u>U</u>   <u>F</u>   <u> </u>   <u> </u>		
VF MODE	EE/PB EE	<b>EE/PB:</b> The images are played back in the playback mode. <b>EE:</b> The camera images are displayed all the time.
<u> </u>   <u>C</u>   <u>U</u>   <u>F</u>   <u> </u>   <u> </u>		
HD SDI P.SAVE	ON OFF	For selecting whether to output the HD SDI signal. <b>ON:</b> The HD SDI circuit is set to the power save mode, and the signal is not output at any time. <b>OFF:</b> The signal output accords with the position (VTR, CAM or OFF) selected by the OUTPUT SEL switch.
<u> </u>   <u>C</u>   <u>U</u>   <u>F</u>   <u> </u>   <u> </u>		
HD SDI CHAR	ON OFF	For selecting whether to superimpose characters on the HD SDI connector signals in accordance with the position selected by the CHARACTER switch on the side panel. <b>ON:</b> The characters are superimposed and output. <b>OFF:</b> The characters are not superimposed.
<u> </u>   <u>C</u>   <u>U</u>   <u>F</u>   <u> </u>   <u> </u>		
HD SDI METADATA	ON OFF	For selecting whether to output the metadata to the HD SDI signal. <b>ON:</b> The metadata is output. <b>OFF:</b> The metadata is not output.
<u> </u>   <u>C</u>   <u>U</u>   <u>F</u>   <u> </u>   <u> </u>		
DOWNCON P.SAVE	ON OFF	For selecting whether to output the down-converted signal. <b>ON:</b> The down-converter is set to the power save mode, and the signal is not output at any time. <b>OFF:</b> The signal output accords with the position (VTR, CAM or OFF) selected by the OUTPUT SEL switch.
<u> </u>   <u>C</u>   <u>U</u>   <u>F</u>   <u> </u>   <u> </u>		
DOWNCON CHAR	ON OFF	For selecting whether to superimpose characters onto the down-converted signal in accordance with the position selected by the CHARACTER switch on the side panel. <b>ON:</b> The characters are superimposed and output. <b>OFF:</b> The characters are not superimposed.
<u> </u>   <u>C</u>   <u>U</u>   <u>F</u>   <u> </u>   <u> </u>		

#### <Note>

When ON has been selected as the HD SDI P.SAVE menu item setting and DOWNCON P.SAVE menu item setting, no video signals will be output and no audio signals will be output from the AUDIO OUT connectors (XLR, 5 pins).



# Chapter 7 Menu description tables

## 7-2-4 GENLOCK

Item/ Data storage	Variable range	Remarks
GENLOCK	AUTO	For selecting the sync signal among the camera signals. <b>AUTO:</b> If sync signals are supplied to the GENLOCK IN connector, the camera unit is synchronized with the reference signal which has been input. If no sync signals are supplied, it is synchronized with the internal reference signal.
<u>C</u> <u>U</u> <u>F</u> <u>E</u>		
GL PHASE	HD SDI DOWNCON	For selecting the output system that phase-locks the signals supplied to the GENLOCK IN connector. <b>HD SDI:</b> The HD SDI output signal is locked to the gen-lock input. The output phase of the TC OUT connector's time code is aligned with the phase of the HD SDI output. <b>DOWNCON:</b> The DOWNCON output signal is locked to the gen-lock input. The output phase of the TC OUT connector's time code is aligned with the phase of the DOWNCON output.
<u>C</u> <u>U</u> <u>F</u> <u>E</u>		
H PHASE COARSE	-55 : +00 : +55	For making coarse adjustments to the horizontal phase when setting up a system.
<u>C</u> <u>U</u> <u>F</u> <u>E</u>		
H PHASE FINE	-100 : +000 : +100	For making fine adjustments to the horizontal phase when setting up a system. <b>&lt;Note&gt;</b> This adjustment also affects the SC phase.
<u>C</u> <u>U</u> <u>F</u> <u>E</u>		

### <Note>

Perform the H PHASE COARSE and H PHASE FINE settings again when the HD reference signal is switched over to the SD reference signal as the signal supplied to the GENLOCK IN connector.

## 7-2-5 OPTION MODE

Item/ Data storage	Variable range	Remarks
REC TALLY	<u>RED</u> GREEN CHAR	For selecting the method used to inform the user that the unit is recording when a system using an extender or other device is configured and BOTH is selected as the 26-PIN CONTROL menu item setting while the system is used in the remote control mode. <b>RED:</b> The red tally lamp lights. <b>GREEN:</b> The green tally lamp lights. <b>CHAR:</b> The letters "REC" appear on the viewfinder.
<u>C</u> <u>U</u> <u>F</u> <u>E</u>		
P.OFF GPS DATA	HOLD <u>CLEAR</u>	For selecting whether or not to hold the UMID GPS position information while the power is off and record the information as the data still held as the previous value until another measurement can be taken after the power is next turned on. <b>HOLD:</b> The data is held and recorded. <b>CLEAR:</b> The data is cleared at the same time as the power is turned off, and all zeros (no information) are recorded from the time the power is turned on until the measurement is next taken.
<u>C</u> <u>U</u> <u>F</u> <u>E</u>		

## 7-3 PAINT

### 7-3-1 ROP

Item/ Data storage	Variable range	Remarks
MASTER PED	-200 : +018 : +200	For setting the master pedestal level.
<u>S</u> <u>C</u> <u>U</u> <u>F</u> <u>E</u>		
MASTER DTL	-31 : +00 : +31	For setting the H detail/V detail level.
<u>S</u> <u>C</u> <u>U</u> <u>F</u> <u>E</u>		
MASTER GAMMA	0.35 : 0.45 : 0.75	For setting the master gamma in 0.01 steps.
<u>S</u> <u>C</u> <u>U</u> <u>F</u> <u>E</u>		
KNEE POINT	70.0% : 93.0% : 107.0%	For setting the master knee position in 0.5% steps.
<u>S</u> <u>C</u> <u>U</u> <u>F</u> <u>E</u>		
KNEE SLOPE	0 : 85 : 99	For setting the knee slope.
<u>S</u> <u>C</u> <u>U</u> <u>F</u> <u>E</u>		
R GAIN	-200 : +000 : +200	For setting the R channel gain.
<u>S</u> <u>C</u> <u>U</u> <u>F</u> <u>E</u>		
G GAIN	-200 : +000 : +200	For setting the G channel gain.
<u>S</u> <u>C</u> <u>U</u> <u>F</u> <u>E</u>		
B GAIN	-200 : +000 : +200	For setting the B channel gain.
<u>S</u> <u>C</u> <u>U</u> <u>F</u> <u>E</u>		
R PEDESTAL	-100 : +000 : +100	For setting the R channel pedestal level.
<u>S</u> <u>C</u> <u>U</u> <u>F</u> <u>E</u>		
G PEDESTAL	-100 : +000 : +100	For setting the G channel pedestal level.
<u>S</u> <u>C</u> <u>U</u> <u>F</u> <u>E</u>		
B PEDESTAL	-100 : +000 : +100	For setting the B channel pedestal level.
<u>S</u> <u>C</u> <u>U</u> <u>F</u> <u>E</u>		

The underlining in the variable range column indicates the setting in the preset mode.

# Chapter 7 Menu description tables

## 7-3-2 MATRIX

Item/ Data storage	Variable range	Remarks
■ MATRIX TABLE	A B	For selecting the color correction table used to perform the adjustments.
S C U F E		
MATRIX R-G	-31 +00 +31	For performing the R-G color adjustment.
S C U F E		
MATRIX R-B	-31 +00 +31	For performing the R-B color adjustment.
S C U F E		
MATRIX G-R	-31 +00 +31	For performing the G-R color adjustment.
S C U F E		
MATRIX G-B	-31 +00 +31	For performing the G-B color adjustment.
S C U F E		
MATRIX B-R	-31 +00 +31	For performing the B-R color adjustment.
S C U F E		
MATRIX B-G	-31 +00 +31	For performing the B-G color adjustment.
S C U F E		
■ L MATRIX TABLE	OFF A B	For selecting the color correction table at GAIN LOW.
S C U F E		
■ M MATRIX TABLE	OFF A B	For selecting the color correction table at GAIN MID.
S C U F E		
■ H MATRIX TABLE	OFF A B	For selecting the color correction table at GAIN HIGH.
S C U F E		

### <Note>

Items with ■ in front of their names are set by the PAINT MENU SW (■) R/W menu items on the <CARD R/W SELECT> screen.

Items without ■ in front of their names are set by the PAINT MENU LEVEL R/W menu item.

For details, refer to "7-6-2 CARD R/W SELECT."

## 7-3-3 COLOR CORRECTION

Item/ Data storage	Variable range	Remarks
R (SAT/PHASE)	-63 +00 +63	For performing the red color correction (saturation and hue).
S C U F E		
R-Mg (SAT/PHASE)	-63 +00 +63	For performing the color correction (saturation and hue) between red and magenta.
S C U F E		
Mg (SAT/PHASE)	-63 +00 +63	For performing the magenta color correction (saturation and hue).
S C U F E		
Mg-B (SAT/PHASE)	-63 +00 +63	For performing the color correction (saturation and hue) between magenta and blue.
S C U F E		
B (SAT/PHASE)	-63 +00 +63	For performing the blue color correction (saturation and hue).
S C U F E		
B-Cy (SAT/PHASE)	-63 +00 +63	For performing the color correction (saturation and hue) between blue and cyan.
S C U F E		
Cy (SAT/PHASE)	-63 +00 +63	For performing the cyan color correction (saturation and hue).
S C U F E		
Cy-G (SAT/PHASE)	-63 +00 +63	For performing the color correction (saturation and hue) between cyan and green.
S C U F E		
G (SAT/PHASE)	-63 +00 +63	For performing the green color correction (saturation and hue).
S C U F E		
G-YI (SAT/PHASE)	-63 +00 +63	For performing the color correction (saturation and hue) between green and yellow.
S C U F E		
YI (SAT/PHASE)	-63 +00 +63	For performing the yellow color correction (saturation and hue).
S C U F E		
YI-R (SAT/PHASE)	-63 +00 +63	For performing the color correction (saturation and hue) between yellow and red.
S C U F E		

The underlining in the variable range column indicates the setting in the preset mode.

# Chapter 7 Menu description tables

## 7-3-4 LOW SETTING

Item/ Data storage	Variable range	Remarks
■ MASTER GAIN	-3dB : 0dB : 30dB	For setting the master gain to -3, 0, 3, 6, 9, 12, 15, 18, 21, 24, 27 or 30 dB.
S C U F E		
H.DTL LEVEL	00 : 28 : 63	For performing the H.DTL LEVEL setting.
S C U F E		
V.DTL LEVEL	00 : 22 : 31	For performing the V.DTL LEVEL setting.
S C U F E		
DTL CORING	00 : 02 : 15	For performing the DTL CORING setting.
S C U F E		
H.DTL FREQ.	00 : 25 : 31	For performing the H.DTL FREQ setting.
S C U F E		
LEVEL DEPEND.	0 : 1 : 5	For performing the LEVEL DEPEND setting.
S C U F E		
MASTER GAMMA	0.35 : 0.45 : 0.75	For setting the MASTER GAMMA in 0.01 steps.
S C U F E		
BLACK STRECH	-3 : OFF : +3	For setting the gamma curve of the dark areas.
S C U F E		
■ MATRIX TABLE	OFF A B	For selecting the color correction table.
S C U F E		
■ COLOR CORRECT	ON OFF	For selecting ON or OFF for the color correction.
S C U F E		

## 7-3-5 MID SETTING

Item/ Data storage	Variable range	Remarks
■ MASTER GAIN	-3dB : 6dB : 30dB	For setting the master gain to -3, 0, 3, 6, 9, 12, 15, 18, 21, 24, 27 or 30 dB.
S C U F E		
H.DTL LEVEL	00 : 20 : 63	For performing the H.DTL LEVEL setting.
S C U F E		
V.DTL LEVEL	00 : 20 : 31	For performing the V.DTL LEVEL setting.
S C U F E		
DTL CORING	00 : 03 : 15	For performing the DTL CORING setting.
S C U F E		
H.DTL FREQ.	00 : 25 : 31	For performing the H.DTL FREQ setting.
S C U F E		
LEVEL DEPEND.	0 : 1 : 5	For performing the LEVEL DEPEND setting.
S C U F E		
MASTER GAMMA	0.35 : 0.45 : 0.75	For setting the MASTER GAMMA in 0.01 steps.
S C U F E		
BLACK STRECH	-3 : OFF : +3	For setting the gamma curve of the dark areas.
S C U F E		
■ MATRIX TABLE	OFF A B	For selecting the color correction table.
S C U F E		
■ COLOR CORRECT	ON OFF	For selecting ON or OFF for the color correction.
S C U F E		

### <Note>

Items with ■ in front of their names are set by the PAINT MENU SW (■) R/W menu items on the <CARD R/W SELECT> screen.

Items without ■ in front of their names are set by the PAINT MENU LEVEL R/W menu item.

For details, refer to "7-6-2 CARD R/W SELECT."

The underlining in the variable range column indicates the setting in the preset mode.

# Chapter 7 Menu description tables

## 7-3-6 HIGH SETTING

Item/ Data storage	Variable range	Remarks
■ MASTER GAIN	-3dB : 12dB : 30dB	For setting the master gain to -3, 0, 3, 6, 9, 12, 15, 18, 21, 24, 27 or 30 dB.
S   C   U   F   E		
H.DTL LEVEL	00 : 10 : 63	For performing the H.DTL LEVEL setting.
S   C   U   F   E		
V.DTL LEVEL	00 : 18 : 31	For performing the V.DTL LEVEL setting.
S   C   U   F   E		
DTL CORING	00 : 08 : 15	For performing the DTL CORING setting.
S   C   U   F   E		
H.DTL FREQ.	00 : 25 : 31	For performing the H.DTL FREQ setting.
S   C   U   F   E		
LEVEL DEPEND.	0 : 3 : 5	For performing the LEVEL DEPEND setting.
S   C   U   F   E		
MASTER GAMMA	0.35 : 0.55 : 0.75	For setting the MASTER GAMMA in 0.01 steps.
S   C   U   F   E		
BLACK STRECH	-3 : OFF : +3	For setting the gamma curve of the dark areas.
S   C   U   F   E		
■ MATRIX TABLE	OFF : A : B	For selecting the color correction table.
S   C   U   F   E		
■ COLOR CORRECT	ON : OFF	For selecting ON or OFF for the color correction.
S   C   U   F   E		

### <Note>

Items with ■ in front of their names are set by the PAINT MENU SW (■) R/W menu items on the <CARD R/W SELECT> screen.

Items without ■ in front of their names are set by the PAINT MENU LEVEL R/W menu item.

For details, refer to "7-6-2 CARD R/W SELECT."

## 7-3-7 ADDITIONAL DTL

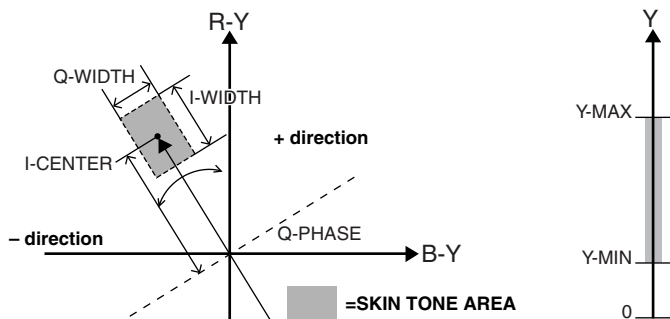
Item/ Data storage	Variable range	Remarks
KNEE APE LVL	OFF : 1 : 2 : 5	For performing the KNEE APE LEVEL setting.
S   C   U   F   E		
DTL GAIN(+)	-31 : +00 : +31	For changing the DTL "+" direction level.
S   C   U   F   E		
DTL GAIN(-)	-31 : +00 : +31	For changing the DTL "-" (down) direction level.
S   C   U   F   E		
DTL CLIP	00 : 63	For changing the level at which the maximum value of the DTL signal is clipped.
S   C   U   F   E		
DTL SOURCE	(R+G)/2 (G+B)/2 2G+R+B /4 (3G+R)/4 R G	For setting the signal source of the DTL signal components.
S   C   U   F   E		

The underlining in the variable range column indicates the setting in the preset mode.

# Chapter 7 Menu description tables

## 7-3-8 SKIN TONE DTL

Item/ Data storage	Variable range	Remarks
■ SKIN TONE DTL	ON	For selecting ON or OFF for the skin tone DTL.
S C U F E	OFF	
■ SKIN TONE ZEBRA	ON	For selecting ON or OFF for ZEBRA in the SKIN TONE range.
S C U F E	OFF	
SKIN DTL CORING	0 5 7	For setting the SKIN TONE DTL coring effect. <b>&lt;Note&gt;</b> ZEBRA signals are superimposed only when menu operations have been performed to open the <SKIN TONE DTL> page and ON has been selected as the SKIN TONE ZEBRA item setting. Exercise care during operation since these signals will be superimposed onto not only the viewfinder but the main line system as well.
S C U F E		
Y MAX	000 190	For setting the maximum luminance signal value for applying the SKIN TONE effect.
S C U F E	255	
Y MIN	000 010	For setting the minimum luminance signal value for applying the SKIN TONE effect.
S C U F E	255	
I CENTER	000 035	For setting the center position on the I axis (setting the area to which the SKIN TONE effect is to be applied).
S C U F E	255	
I WIDTH	000 055	For setting the width of the area to which the SKIN TONE effect is to be applied on the I axis centered on the I CENTER.
S C U F E	255	
Q WIDTH	000 010	For setting the width of the area to which the SKIN TONE effect is to be applied on the Q axis centered on the I CENTER.
S C U F E	255	
Q PHASE	-31 +00	For setting the phase of the area to which the SKIN TONE effect is to be applied as referenced to the Q axis.
S C U F E	+31	



The underlining in the variable range column indicates the setting in the preset mode.

## 7-3-9 KNEE/LEVEL

Item/ Data storage	Variable range	Remarks
MASTER PED	-200 +018	For performing the MASTER PEDESTAL setting.
S C U F E	+200	
■ MANUAL KNEE	ON	For setting the mode which is to be established when the AUTO KNEE switch is at OFF. The KNEE POINT/SLOPE setting value is active when ON is selected.
S C U F E	OFF	
KNEE POINT	70.0% 93.0%	For setting the KNEE POINT position in 0.5% steps.
S C U F E	107.0%	
KNEE SLOPE	00 85 99 (98)	For performing the KNEE width setting. Same as KNEE OFF when set to 0. <b>&lt;Note&gt;</b> The range of values that can be selected using the AJ-EC3E is 00 to 98.
S C U F E		
■ WHITE CLIP	ON	For selecting ON or OFF for the WHITE CLIP function. The WHITE CLIP LVL setting value is active when ON is selected.
S C U F E	OFF	
WHITE CLIP LVL	90% 109%	For performing the WHITE CLIP LEVEL setting.
S C U F E		
A.KNEE POINT	80% 93%	For setting the AUTO KNEE POINT position in 0.5% steps. This item is active when the OUTPUT/AUTO KNEE selector switch is set to CAM.AUTO KNEE ON.
S C U F E	107%	
A.KNEE LVL	100 107	For performing the AUTO KNEE level setting.
S C U F E	109	
A.KNEE RESPONSE	1 4	For setting the AUTO KNEE response speed.
S C U F E		

### <Note>

Items with ■ in front of their names are set by the PAINT MENU SW (■) R/W menu items on the <CARD R/W SELECT> screen.

Items without ■ in front of their names are set by the PAINT MENU LEVEL R/W menu item.

For details, refer to "7-6-2 CARD R/W SELECT."

7

# Chapter 7 Menu description tables

## 7-3-10 GAMMA

Item/ Data storage	Variable range	Remarks
MASTER GAMMA	0.35 : 0.45 : 0.75	For setting the MASTER GAMMA in 0.01 steps.
S   C   U   F   E		
R GAMMA	-15 : +00 : +15	For setting the R channel GAMMA.
S   C   U   F   E		
B GAMMA	-15 : +00 : +15	For setting the B channel GAMMA.
S   C   U   F   E		
GAMMA MODE SEL	STD FILM LIKE1 FILM LIKE2	For selecting the GAMMA. <b>STD:</b> The standard video gamma characteristics are selected. <b>FILM LIKE1:</b> The cinema gamma characteristics for video applications are selected. At the factory, this setting is set in scene file 4. <b>FILM LIKE2:</b> The cinema gamma characteristics for video applications are selected. In this setting gradations in highlit areas can be expressed better than when FILM LIKE1 is selected.  <b>&lt;Note&gt;</b> Some of the KNEE SLOPE setting values in the "7-3-9 KNEE/LEVEL" menu have no effect if film-like characteristics are selected for the GAMMA MODE SEL item.
S   C   U   F   E		

## 7-3-11 FLARE

Item/ Data storage	Variable range	Remarks
R FLARE	000	For performing the R FLARE setting.
S   <u> </u>   U   F   E	100	
G FLARE	000	For performing the G FLARE setting.
S   <u> </u>   U   F   E	100	
B FLARE	000	For performing the B FLARE setting.
S   <u> </u>   U   F   E	100	

The underlining in the variable range column indicates the setting in the preset mode.

## 7-3-12 ■ CAMERA SETTINGS

Item/ Data storage	Variable range	Remarks
DETAIL	ON OFF	For selecting ON or OFF for DTL (H, V).
S   C   U   F   E		
HIGH COLOR	ON OFF	For selecting ON or OFF for the mode in which the dynamic range of the colors is expanded.
S   C   U   F   E		
GAMMA	ON OFF	For selecting ON or OFF for the gamma circuit.
S   C   U   F   E		
TEST SAW	ON OFF	For selecting ON or OFF for the test signals.
S   C   U   F   E		
FLARE	ON OFF	For selecting ON or OFF for the flare compensation.
S   C   U   F   E		
H-F COMPE.	ON OFF	For selecting ON or OFF for the mode in which the wide-band DTL is increased.
S   C   U   F   E		

### <Note>

All items in CAMERA SETTING are setting targets of the item PAINT MENU SW(■) R/W in the "7-6-2 CARD R/W SELECT" screen.



# Chapter 7 Menu description tables

## 7-4 VF

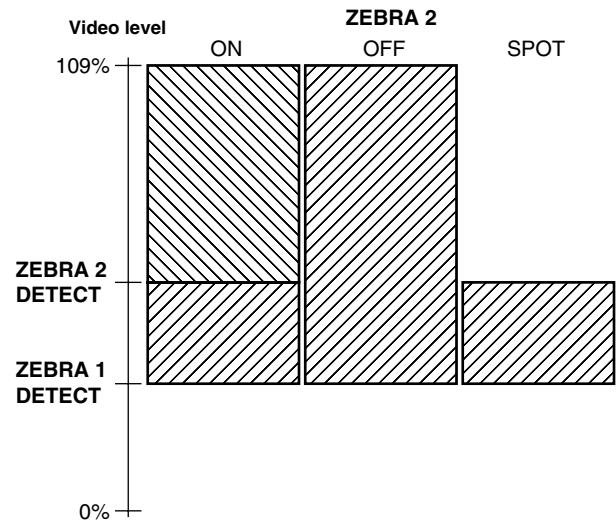
### 7-4-1 VF DISPLAYS

Item/ Data storage	Variable range	Remarks
DISP CONDITION	<u>NORMAL</u> HOLD	<b>NORMAL:</b> The statuses are displayed at all times. <b>HOLD:</b> The statuses are displayed only when the MODE CHECK switch is pressed.
/ C U F E		
DISP MODE	1 2 <u>3</u>	For performing the DISP MODE setting. This item is used to select the camera's warning or message displays. For details, refer to "4-7-4 Display modes and setting changes/adjustment result messages."
/ C U F E		
DS.GAIN DISP	<u>GAIN</u> FRM RATE	For selecting whether to display the DS.GAIN value as a frame rate value (P) or gain value (↑). <b>GAIN:</b> The DS.GAIN value is displayed as a gain value (↑). <b>FRM RATE:</b> The DS.GAIN value is displayed as a frame rate value (P).
/ C U F E		
VF OUT	<u>Y</u> NAM R G B	For selecting the VF output. <b>Y:</b> Luminance signal <b>NAM:</b> The signal with the highest level among the R, G and B signals is output. <b>R:</b> R channel signal <b>G:</b> G channel signal <b>B:</b> B channel signal
/ C U F E		
VF DTL	0 2 <u>5</u>	For performing the VF DTL selection. This item is used to further emphasize the DTL of the VF signals. If 0 is set, the DTL will be the same as that of the main line signals.
/ C U F E		
ZEBRA1 DETECT	0% <u>70%</u> 109%	For setting the ZEBRA1 detection level (IRE level).
/ C U F E		
ZEBRA2 DETECT	0% <u>85%</u> 109%	For setting the ZEBRA2 detection level (IRE level).
/ C U F E		
ZEBRA2	<u>ON</u> SPOT OFF	For selecting ON or OFF for ZEBRA2 or selecting SPOT.
/ C U F E		
LOW LIGHT LVL	<u>OFF</u> 10% 15% 20% 25% 30% <u>35%</u>	For setting how much lower the camera's input light quantity should be in order for "LOW LIGHT" to be displayed.
/ C U F E		
ECU MENU DISP.	<u>ON</u> OFF	For selecting ON or OFF for displaying the MENU on the viewfinder when the ECU is connected.
/ C U F E		
MARKER/ CHAR LVL	<u>50%</u> 60% 70% 80% 90% <u>100%</u>	For setting the brightness of the markers and characters displayed in the viewfinder.
/ C U F E		

### 7-4-2 VF MARKER

Item/ Data storage	Variable range	Remarks
TABLE	<u>A</u> B	For selecting the VF MARKER setting table. This item is used to set the current values of table A or B which have been selected using the menu items listed below.
/ C U F E		
CENTER MARK	<u>OFF</u> 1 2 3 4	For selecting the center marker. <b>OFF:</b> The center marker is not displayed. <b>1:</b> + (large) <b>2:</b> Center blank (large) <b>3:</b> + (small) <b>4:</b> Center blank (small)
/ C U F E		
SAFETY ZONE	<u>OFF</u> 1 2	For selecting the type of safety zone frame. <b>OFF:</b> The safety zone frame is not displayed. <b>1:</b> Box <b>2:</b> Corner frames
/ C U F E		
SAFETY AREA	80% <u>90%</u> 100%	For setting the position of the safety zone.
/ C U F E		
FRAME SIG	<u>4:3</u> 13:9 14:9 VISTA	For setting the frame marker. The VISTA setting is 16:8.65.
/ C U F E		
FRAME MARK	<u>ON</u> OFF	For selecting ON or OFF for the frame marker.
/ C U F E		
FRAME LVL	00 <u>15</u>	For setting the level outside the frame marker. <b>0:</b> Equivalent to signal OFF <b>15:</b> Same brightness as center area However, this setting has no effect if FRAME SIG is set to VISTA.
/ C U F E		

Zebra pattern display



The underlining in the variable range column indicates the setting in the preset mode.

# Chapter 7 Menu description tables

## 7-4-3 USER BOX

Item/ Data storage	Variable range	Remarks
USER BOX / C U F E	ON OFF	For setting whether or not to display the user box.
USER BOX WIDTH / C U F E	001 013 100	For setting the horizontal width of the user box.
USER BOX HEIGHT / C U F E	001 013 121	For setting the vertical height of the user box.
USER BOX H POS / C U F E	-50 +00 +50	For setting the horizontal position of the user box center.
USER BOX V POS / C U F E	-50 +00 +50	For setting the vertical position of the user box center.

## 7-4-4 VF INDICATOR1

Item/ Data storage	Variable range	Remarks
EXTENDER / C U F E	ON OFF	For selecting ON or OFF for the extender display.
SHUTTER / C U F E	ON OFF	For selecting ON or OFF for the shutter speed display.
FILTER / C U F E	ON OFF	For selecting ON or OFF for the filter No. display.
WHITE / C U F E	ON OFF	For selecting ON or OFF for the AWB PRE/A/B display.
GAIN / C U F E	ON OFF	For selecting ON or OFF for the currently selected gain, S.GAIN and DS.GAIN display.
IRIS / C U F E	OFF IRIS S+IRIS S	<b>OFF:</b> Neither the super iris ON status nor the aperture value is displayed. <b>IRIS:</b> Only the aperture value is displayed. <b>S+IRIS:</b> Both the super iris ON status and aperture value are displayed. <b>S:</b> The super iris ON status is displayed. (The display or non-display of the aperture value and that of the iris override are linked.)
CAMERA ID / C U F E	BAR CAM ALWAYS OFF	For setting the ID configuration during recording. <b>BAR:</b> The ID is recorded when color bar signals are provided. <b>CAM:</b> The ID is recorded when the camera images are provided. <b>ALWAYS:</b> The ID is recorded at all times. <b>OFF:</b> The ID is not recorded at any time. <Note> If ON is selected as the ID MIX INH menu item setting on the "7-9-1 OPTION" screen, it is not possible to record the camera ID when the images of the camera are to be recorded even if CAM or ALWAYS is selected as this menu item's setting. Note that in EE mode the ID will not be superimposed, but it will be recorded on the tape.

The underlining in the variable range column indicates the setting in the preset mode.

Item/ Data storage	Variable range	Remarks
ID POSITION / C U F E	UPPER R UPPER L LOWER R LOWER L	For setting the location where the camera ID is to be recorded. <b>UPPER R:</b> Top right <b>UPPER L:</b> Top left <b>LOWER R:</b> Bottom right <b>LOWER L:</b> Bottom left
DATE/TIME / C U F E	ON OFF	For specifying whether or not the date and time are mixed simultaneously when the CAMERA ID is recorded.
ZOOM LVL / C U F E	ON OFF	For selecting ON or OFF for the zoom position display.
COLOR TEMP / C U F E	ON OFF	For selecting ON or OFF for the color temperature display.
CAMERA MODE / C U F E	ON OFF	For selecting ON or OFF for the camera's operation mode display.

## 7-4-5 VF INDICATOR2

Item/ Data storage	Variable range	Remarks
TAPE / C U F E	ON OFF	For selecting ON or OFF for the remaining tape amount display.
BATTERY / C U F E	ON OFF	For selecting ON or OFF for the battery voltage display.
AUDIO LVL / C U F E	ON OFF	For selecting ON or OFF for the audio level meter display.
TC / C U F E	TCG TCR TCG/TCR OFF	For selecting the time code which is to be displayed. <b>TCG:</b> The time code generator value is displayed in the E-E mode. <b>TCR:</b> The time code reader value is displayed in the V-V mode. <b>TCG/TCR:</b> The time code generator value is displayed in the E-E mode, and the time code reader value is displayed in the V-V mode. <b>OFF:</b> The time code is not displayed at any time.
VTR WARNING / C U F E	ALWAYS NORMAL OFF	For selecting how VTR warnings are displayed. <b>ALWAYS:</b> It is displayed every time a warning has occurred. <b>NORMAL:</b> It is displayed for 3 seconds when a warning has occurred and also for 3 seconds after recording has started and after recording has finished. <b>OFF:</b> It is not displayed at any time.
SAVE LED / C U F E	SAVE & TAPE SAVE	For setting the operation of the SAVE lamp. <b>SAVE &amp; TAPE:</b> The lamp lights up when the VTR SAVE/STBY switch has been set to the SAVE position. It is off during recording. As the tape is approaching the end, it starts flashing in tandem with the warning alarm. <b>SAVE:</b> The lamp lights up when the VTR SAVE/STBY switch has been set to the SAVE position. It is off during recording.

# Chapter 7 Menu description tables

## 7-4-6 MODE CHECK IND

Item/ Data storage	Variable range	Remarks
STATUS / C U F E	ON OFF	For setting whether or not to display the status when the MODE CHECK switch is used.
!LED / C U F E	ON OFF	For setting whether or not to display the cause display screen if the !LED has lighted when the MODE CHECK switch is used.
FUNCTION / C U F E	ON OFF	For setting whether or not to display the function display screen when the MODE CHECK switch is used.
AUDIO / C U F E	ON OFF	For setting whether or not to display the audio display screen when the MODE CHECK switch is used.
P.ON IND / C U F E	ON OFF	For setting whether or not to display the status display screen after the power has been turned on. <b>&lt;Note&gt;</b> Even if this option is set to ON, if the STATUS option is set to OFF the STATUS display screen will not appear after the power is turned ON.

## 7-4-7 !LED

Item/ Data storage	Variable range	Remarks
GAIN(0dB) / C U F E	ON OFF	For selecting whether or not the display is to come on when the gain is other than 0 dB.
GAIN (-3dB) / C U F E	ON OFF	For selecting whether or not the display is to come on when the gain is other than -3 dB.
DS.GAIN / C U F E	ON OFF	For selecting whether or not the display is to come on when the DS.GAIN (cumulative gain) has been entered.
LINE GAIN MIX / C U F E	ON OFF	For selecting whether or not the display is to come on when LINE MIX GAIN is used.
SHUTTER / C U F E	ON OFF	For selecting whether or not the display is to come on when the shutter is ON.
WHITE PRESET / C U F E	ON OFF	For selecting whether or not the display is to come on when the AWB CH is set to PRESET.
EXTENDER / C U F E	ON OFF	For selecting whether or not the display is to come on when the lens is in the extender mode.
BLACK STR / C U F E	ON OFF	For selecting whether or not the display is to come on when BLACK STRETCH is being used.
MATRIX / C U F E	ON OFF	For selecting whether or not the display is to come on when MATRIX is ON.
COLOR CORRECTION / C U F E	ON OFF	For selecting whether or not the display is to come on when COLOR CORRECTION is ON.
FILTER / C U F E	ON OFF	For selecting whether or not the display is to come on when the filter combination is other than 3200K and CLEAR.
D.ZOOM / C U F E	ON OFF	For selecting whether or not the display is to come on during digital zoom operations.

### <Note>

When "ON" has been selected for both the GAIN (0 dB) and GAIN (-3 dB) settings, the GAIN lamp will light when the gain is neither 0 dB nor -3 dB.

The underlining in the variable range column indicates the setting in the preset mode.

## 7-5 OPERATION

### 7-5-1 CAMERA ID

Item/ Data storage	Variable range	Remarks
ID1: / C U F E	*****	CAMERA ID setting 1
ID2: / C U F E	*****	CAMERA ID setting 2
ID3: / C U F E	*****	CAMERA ID setting 3

### <Note>

If READ FACTORY DATA is selected, this setting will be cleared.

### 7-5-2 SHUTTER SPEED

Item/ Data storage	Variable range	Remarks
SYNCHRO SCAN / C U F E	ON OFF	For selecting SYNCHRO SCAN as the shutter speed to be used.
POSITION1 / C U F E	ON OFF	For selecting POSITION1 as the shutter speed to be used.
POSITION2 / C U F E	ON OFF	For selecting POSITION2 as the shutter speed to be used.
POSITION3 / C U F E	ON OFF	For selecting POSITION3 as the shutter speed to be used.
POSITION4 / C U F E	ON OFF	For selecting POSITION4 as the shutter speed to be used.
POSITION5 / C U F E	ON OFF	For selecting POSITION5 as the shutter speed to be used.
POSITION6 / C U F E	ON OFF	For selecting POSITION6 as the shutter speed to be used.

# Chapter 7 Menu description tables

## 7-5-3 SHUTTER SELECT

Item/ Data storage	Variable range	Remarks
POSITION1 SEL	1/60 1/120 1/250 1/500 1/1000 <u>1/2000</u>	For selecting the shutter speed.
<input type="checkbox"/> C <input type="checkbox"/> U <input type="checkbox"/> F <input type="checkbox"/> E		
POSITION2 SEL	1/60 1/120 1/250 1/500 1/1000 <u>1/2000</u>	For selecting the shutter speed.
<input type="checkbox"/> C <input type="checkbox"/> U <input type="checkbox"/> F <input type="checkbox"/> E		
POSITION3 SEL	1/60 1/120 1/250 1/500 1/1000 <u>1/2000</u>	For selecting the shutter speed.
<input type="checkbox"/> C <input type="checkbox"/> U <input type="checkbox"/> F <input type="checkbox"/> E		
POSITION4 SEL	1/60 1/120 1/250 1/500 1/1000 <u>1/2000</u>	For selecting the shutter speed.
<input type="checkbox"/> C <input type="checkbox"/> U <input type="checkbox"/> F <input type="checkbox"/> E		
POSITION5 SEL	1/60 1/120 1/250 1/500 1/1000 <u>1/2000</u>	For selecting the shutter speed.
<input type="checkbox"/> C <input type="checkbox"/> U <input type="checkbox"/> F <input type="checkbox"/> E		
POSITION6 SEL	1/60 1/120 1/250 1/500 1/1000 <u>1/2000</u>	For selecting the shutter speed.
<input type="checkbox"/> C <input type="checkbox"/> U <input type="checkbox"/> F <input type="checkbox"/> E		

## 7-5-4 USER SW

Item/ Data storage	Variable range	Remarks
USER MAIN SW	INH <u>S.GAIN</u> DS.GAIN LINE MIX S.IRIS I.OVR S.BLK B.STR AUDIO CH1 AUDIO CH2 REC SW Y GET RET SW <u>D.ZOOM</u>	For allocating the USER MAIN switch function.
<input type="checkbox"/> C <input type="checkbox"/> U <input type="checkbox"/> F <input type="checkbox"/> E		
USER1 SW	INH S.GAIN DS.GAIN LINE MIX S.IRIS I.OVR S.BLK B.STR AUDIO CH1 AUDIO CH2 REC SW Y GET RET SW <u>D.ZOOM</u>	For allocating the USER1 switch function.
<input type="checkbox"/> C <input type="checkbox"/> U <input type="checkbox"/> F <input type="checkbox"/> E		
USER2 SW	INH S.GAIN DS.GAIN LINE MIX S.IRIS I.OVR S.BLK B.STR AUDIO CH1 AUDIO CH2 REC SW Y GET RET SW <u>D.ZOOM</u>	For allocating the USER2 switch function.
<input type="checkbox"/> C <input type="checkbox"/> U <input type="checkbox"/> F <input type="checkbox"/> E		

The underlining in the variable range column indicates the setting in the preset mode.

# Chapter 7 Menu description tables

## 7-5-5 SW MODE

Item/ Data storage	Variable range	Remarks
RET SW  / C U F E	<u>REC CHECK</u> D.ZOOM	For selecting the RET switch function. <b>REC CHECK:</b> The REC CHECK operation is performed. <b>D.ZOOM:</b> Digital zoom operations are performed.
S.BLK LVL  / C U F E	OFF -10 -20 -30	For setting the super black level.
AUTO KNEE SW S C U F E	ON OFF	For selecting whether or not the AUTO KNEE switch is to be used.
SHD,ABB SW CTL  / C U F E	ON OFF	For selecting whether or not digital dark shading is to be activated by pressing the ABS switch for a prolonged time (at least 8 seconds).
COLOR BARS  / C U F E	<u>SMPTE</u> <u>FULL BARS</u> SPLIT ARIB	For selecting the color bars to be used. <b>SMPTE:</b> SMPTE color bars <b>FULL BARS:</b> Full color bars <b>SPLIT:</b> SPLIT color bars <b>ARIB:</b> ARIB multi-format color bars
S.GAIN OFF  / C U F E	<u>L/M/H</u> S.GAIN	For selecting the method used to release the super gain mode. <b>L/M/H:</b> The mode is released by making a change in the L/M/H switch position. <b>S.GAIN:</b> The mode is released using only the S.GAIN switch (USER switch).
DS.GAIN OFF  / C U F E	L/M/H <u>DS.GAIN</u>	For selecting the method used to release the digital super gain mode (cumulative gain). <b>L/M/H:</b> The mode is released by making a change in the L/M/H switch position. <b>DS.GAIN:</b> The mode is released using only the DS.GAIN switch (USER switch).

Item/ Data storage	Variable range	Remarks
D.ZOOM SEL  / C U F E	<u>ZOOM</u> FOCUS	For selecting how digital zooming is to be executed. <b>ZOOM:</b> Digital zooming is performed at all times. <b>FOCUS:</b> Digital zooming is performed for about 5 seconds as the focus assist function. However, if recording is initiated at any time during the 5 seconds, the D.ZOOM function will be forcibly released.  <b>&lt;Note&gt;</b> The focus assist function works as D.ZOOM ×2. D.ZOOM ×3 or ×4 will not work even if it has been selected.
D.ZOOM ×2  / C U F E	ON OFF	For selecting whether to enable the ×2 selection when D.ZOOM has been allocated to a USER button. <b>ON:</b> The ×2 selection is enabled. <b>OFF:</b> The ×2 selection is disabled.
D.ZOOM ×3  / C U F E	ON OFF	For selecting whether to enable the ×3 selection when D.ZOOM has been allocated to a USER button. <b>ON:</b> The ×3 selection is enabled. <b>OFF:</b> The ×3 selection is disabled.
D.ZOOM ×4  / C U F E	ON OFF	For selecting whether to enable the ×4 selection when D.ZOOM has been allocated to a USER button. <b>ON:</b> The ×4 selection is enabled. <b>OFF:</b> The ×4 selection is disabled.
ECU DATA SAVE  / C U F E	ON OFF	<b>ON:</b> The settings controlled by the ECU are stored in the memory when the ECU is disconnected from the camera recorder. <b>OFF:</b> No camera related settings are stored in memory.

7

The underlining in the variable range column indicates the setting in the preset mode.

# Chapter 7 Menu description tables

## 7-5-6 WHITE BALANCE MODE

Item/ Data storage	Variable range	Remarks
FILTER INH	ON OFF	For selecting whether or not to keep the AWB memory (Ach, Bch) data for each filter. <b>ON:</b> The data is kept in the two Ach and Bch memories for each filter used. <b>OFF:</b> The data is kept for each filter.
∕ C U F E		
SHOCKLESS AWB	OFF FAST NORMAL SLOW1 SLOW2 SLOW3	For selecting whether to set SHOCKLESS AWB to ON (FAST/NORMAL/SLOW1-3) or OFF. The SHOCKLESS AWB function will work only when MEM has been selected at the AWB A item and AWB B item settings for the A and B positions of the WHITE BAL switch, and it ensures that no shocks will result when the WHITE BAL switch is switched between the PRST, A and B settings. In addition, the switching time can be selected.
∕ C U F E		
AWB AREA	25% 50% 90%	For selecting the AWB detection area. <b>25%:</b> An area near the screen center equivalent to 25% of the screen is detected. <b>50%:</b> An area near the screen center equivalent to 50% of the screen is detected. <b>90%:</b> An area equivalent to 90% of the screen is detected.
∕ C U F E		
AWB & ABB OFFSET	ON OFF	For selecting whether or not to reset the GAIN and PED values on the ROP menu when AWB or ABB is executed. When set to OFF, GAIN will be reset when AWB is executed and PEDESTAL will be reset when ABB is executed. <b>ON:</b> The values are not reset. <b>OFF:</b> The values are reset.
∕ C U F E		
COLOR TEMP PRE	<u>3200K</u> 5600K	For selecting the AWB PRE color temperature.
∕ C U F E		
AWB A	MEM VAR	For selecting the allocation of the WHITE BAL switch position and Ach. <b>MEM:</b> The switch position and Ach are allocated as memory values when AWB is executed. <b>VAR:</b> The color temperature of A can be set to vary using the COLOR TEMP A menu item.
∕ C U F E		
COLOR TEMP A	<u>3200K</u> 5600K	For setting the color temperature when AWB A has been set to VAR.
∕ C U F E		
AWB B	MEM VAR	For selecting the allocation of the WHITE BAL switch position and Bch. <b>MEM:</b> The switch position and Bch are allocated as memory values when AWB is executed. <b>VAR:</b> The color temperature of B can be set to vary using the COLOR TEMP B menu item.
∕ C U F E		
COLOR TEMP B	<u>3200K</u> 5600K	For setting the color temperature when AWB B has been set to VAR.
∕ C U F E		

## 7-5-7 USER SW GAIN

Item/ Data storage	Variable range	Remarks
S.GAIN 30 dB	* ●	For selecting whether or not to enable a setting of 30 dB for SUPER GAIN. * : The 30 dB setting is enabled. ● : The 30 dB setting is disabled.
∕ C U F E		
36 dB	* ●	For selecting whether or not to enable a setting of 36 dB for SUPER GAIN. * : The 36 dB setting is enabled. ● : The 36 dB setting is disabled.
∕ C U F E		
42 dB	* ●	For selecting whether or not to enable a setting of 42 dB for SUPER GAIN. * : The 42 dB setting is enabled. ● : The 42 dB setting is disabled.
∕ C U F E		
48 dB	* ●	For selecting whether or not to enable a setting of 48 dB for SUPER GAIN. * : The 48 dB setting is enabled. ● : The 48 dB setting is disabled.
∕ C U F E		
DS.GAIN 6 dB ↑ (25P)	* ●	For selecting whether or not to enable a setting increase of 6 dB (25P) for DS.GAIN. * : The 6 dB setting increase is enabled. ● : The 6 dB setting increase is disabled.
∕ C U F E		
DS.GAIN 10 dB ↑ (16P)	* ●	For selecting whether or not to enable a setting increase of 10 dB (16P) for DS.GAIN. * : The 10 dB setting increase is enabled. ● : The 10 dB setting increase is disabled.
∕ C U F E		
12 dB ↑ (12P)	* ●	For selecting whether or not to enable a setting increase of 12 dB (12P) for DS.GAIN. * : The 12 dB setting increase is enabled. ● : The 12 dB setting increase is disabled.
∕ C U F E		
15 dB ↑ (8P)	* ●	For selecting whether or not to enable a setting increase of 15 dB (8P) for DS.GAIN. * : The 15 dB setting increase is enabled. ● : The 15 dB setting increase is disabled.
∕ C U F E		
20 dB ↑ (5P)	* ●	For selecting whether or not to enable a setting increase of 20 dB (5P) for DS.GAIN. * : The 20 dB setting increase is enabled. ● : The 20 dB setting increase is disabled.
∕ C U F E		

The underlining in the variable range column indicates the setting in the preset mode.



# Chapter 7 Menu description tables

## 7-5-8 IRIS

Item/ Data storage	Variable range	Remarks
A.IRIS LEVEL	000 : 050 : 100	For setting the AUTO IRIS target value.
<u>C</u> <u>U</u> <u>F</u> <u>E</u>		
A.IRIS PEAK/AVE	000 : 050 : 100	For determining the ratio of the peak to the AUTO IRIS reference. The higher the ratio, the greater the response to the peak inside the iris detection window; the lower the ratio, the greater the response to the average value inside the iris detection window.
<u>C</u> <u>U</u> <u>F</u> <u>E</u>		
A.IRIS MODE	<u>NORM1</u> NORM2 CENTR	For selecting the auto iris detection window. <b>NORM1:</b> Window from the screen center <b>NORM2:</b> Window from the bottom of the screen <b>CENTR:</b> Window in the shape of a spot at the screen center
<u>C</u> <u>U</u> <u>F</u> <u>E</u>		
S.IRIS LEVEL	000 : 080 : 100	For setting the SUPER IRIS target value.
<u>C</u> <u>U</u> <u>F</u> <u>E</u>		
IRIS GAIN	<u>CAM</u> <u>LENS</u>	For selecting the IRIS GAIN adjustment. <b>&lt;Note&gt;</b> With lenses equipped with an extender function (×2, ×0.8 etc.) sold before the DIGI POWER type manufactured by FUJINON, iris corrective control is performed with the extender function on at the LENS setting. As such, this unit's iris control will not function correctly when CAM has been selected as the setting for this item.
<u>C</u> <u>U</u> <u>F</u> <u>E</u>		
IRIS GAIN VALUE	01 : 10 : 20	For setting the IRIS GAIN adjustment value. The setting takes effect when IRIS GAIN has been set to CAM.
<u>C</u> <u>U</u> <u>F</u> <u>E</u>		

## 7-6 FILE

### 7-6-1 CARD READ/WRITE

Item/ Data storage	Variable range	Remarks
R.SELECT	1 : 8	For selecting the number of the file whose data is to be read.
<u>R</u> <u>S</u> <u>E</u> <u>L</u> <u>E</u> <u>C</u> <u>T</u> <u>F</u> <u>I</u> <u>E</u>		
READ		For reading the data on the setup card.
<u>R</u> <u>E</u> <u>A</u> <u>D</u>		
W.SELECT	1 : 8	For selecting the number of the file in which the data is to be written.
<u>W</u> <u>S</u> <u>E</u> <u>L</u> <u>E</u> <u>C</u> <u>T</u> <u>F</u> <u>I</u> <u>E</u>		
WRITE		For writing the camera data onto the setup card.
<u>W</u> <u>R</u> <u>I</u> <u>T</u> <u>E</u>		
CARD CONFIG		For formatting the setup card.
<u>C</u> <u>A</u> <u>R</u> <u>D</u> <u>C</u> <u>O</u> <u>N</u> <u>F</u> <u>I</u> <u>G</u>		
TITLE READ		For reading the titles given to the data on the setup card.
<u>T</u> <u>I</u> <u>T</u> <u>L</u> <u>E</u> <u>R</u> <u>E</u> <u>A</u> <u>D</u>		
TITLE1 - 8:		For setting a title consisting of not more than 8 characters.
<u>T</u> <u>I</u> <u>T</u> <u>L</u> <u>E</u> <u>1</u> <u>-</u> <u>8</u> <u>:</u>		

### 7-6-2 CARD R/W SELECT

Item/ Data storage	Variable range	Remarks
ID READ/WRITE	<u>ON</u> OFF	For selecting whether or not to handle the CAMERA ID during CARD READ/WRITE data operations.
<u>I</u> <u>D</u> <u>R</u> <u>E</u> <u>A</u> <u>D</u> <u>/</u> <u>W</u> <u>R</u> <u>I</u> <u>T</u> <u>E</u>		
USER MENU SELECT R/W	<u>ON</u> OFF	For selecting whether or not to handle the USER MENU settings during CARD READ/WRITE data operations.
<u>U</u> <u>S</u> <u>E</u> <u>R</u> <u>M</u> <u>E</u> <u>N</u> <u>U</u> <u>S</u> <u>E</u> <u>L</u> <u>E</u> <u>C</u> <u>T</u> <u>R</u> <u>/</u> <u>W</u>		
SYSTEM MENU R/W	<u>ON</u> OFF	For selecting whether or not to handle the SYSTEM SETTING items during CARD READ/WRITE data operations.
<u>S</u> <u>Y</u> <u>S</u> <u>T</u> <u>E</u> <u>M</u> <u>M</u> <u>E</u> <u>N</u> <u>U</u> <u>R</u> <u>/</u> <u>W</u>		
PAINT MENU LEVEL R/W	<u>ON</u> OFF	For selecting whether or not to handle the PAINT MENU adjustment values during CARD READ/WRITE data operations.
<u>P</u> <u>A</u> <u>I</u> <u>N</u> <u>T</u> <u>M</u> <u>E</u> <u>N</u> <u>U</u> <u>L</u> <u>E</u> <u>V</u> <u>E</u> <u>L</u> <u>/</u> <u>W</u>		
PAINT MENU SW(■) R/W	<u>ON</u> OFF	For selecting whether or not to handle the PAINT MENU settings during CARD READ/WRITE data operations.
<u>P</u> <u>A</u> <u>I</u> <u>N</u> <u>T</u> <u>M</u> <u>E</u> <u>N</u> <u>U</u> <u>S</u> <u>W</u> <u>(</u> <u>■</u> <u>)</u> <u>R</u> <u>/</u> <u>W</u>		
VF MENU R/W	<u>ON</u> OFF	For selecting whether or not to handle the VF MENU settings during CARD READ/WRITE data operations.
<u>V</u> <u>F</u> <u>M</u> <u>E</u> <u>N</u> <u>U</u> <u>R</u> <u>/</u> <u>W</u>		
OPERATION MENU R/W	<u>ON</u> OFF	For selecting whether or not to handle the OPERATION MENU settings during CARD READ/WRITE data operations.
<u>O</u> <u>P</u> <u>E</u> <u>R</u> <u>A</u> <u>T</u> <u>I</u> <u>O</u> <u>N</u> <u>M</u> <u>E</u> <u>N</u> <u>U</u> <u>R</u> <u>/</u> <u>W</u>		
MAINTENANCE MENU R/W	<u>ON</u> OFF	For selecting whether or not to handle the MAINTENANCE MENU settings during CARD READ/WRITE data operations.
<u>M</u> <u>A</u> <u>I</u> <u>N</u> <u>T</u> <u>E</u> <u>N</u> <u>A</u> <u>N</u> <u>C</u> <u>E</u> <u>M</u> <u>E</u> <u>N</u> <u>T</u> <u>E</u> <u>R</u> <u>/</u> <u>W</u>		
VTR MENU R/W	<u>ON</u> OFF	For selecting whether or not to handle the VTR MENU settings during CARD READ/WRITE data operations.
<u>V</u> <u>T</u> <u>R</u> <u>M</u> <u>E</u> <u>N</u> <u>U</u> <u>R</u> <u>/</u> <u>W</u>		

The underlining in the variable range column indicates the setting in the preset mode.

# Chapter 7 Menu description tables

## 7-6-3 LENS FILE

Item/ Data storage	Variable range	Remarks
FILE NO. / / / / / / / /	1 <u>7</u> 8	For selecting the number of the lens file.
READ / / / / / / / /		For reading the data from the lens file.
WRITE / / / / / / / /		For writing the data in the lens file.
TITLE 1-8 / / / / / / / /	*****	For setting a title consisting of not more than 12 characters.

## 7-6-4 SCENE

Item/ Data storage	Variable range	Remarks
READ USER DATA / / / / / / / /		For reading the data from the memory's user area.
SCENE SEL / / / / / / / /	1 <u>3</u> 4	For selecting the scene file.
READ / / / / / / / /		For reading the data from the scene file.
WRITE / / / / / / / /		For writing the data in the scene file.
RESET / / / / / / / /		For returning the SCENE FILE values to the initial values.
TITLE 1-4 / / / / / / / /	*****	For creating a title for a scene file.

## 7-6-5 INITIALIZE

Item/ Data storage	Variable range	Remarks
READ FACTORY DATA / / / / / / / /		For resetting all MENU (USER MENU, MAIN MENU, OPTION MENU) values to factory settings.
WRITE USER DATA / / / / / / / /		For saving the user-specific menu data in the camera memory.

## 7-7 MAINTENANCE

### 7-7-1 SYSTEM CHECK

Item/ Data storage	Variable range	Remarks
COLOR CHECK / / / / / / / /	ON <u>OFF</u>	For selecting ON or OFF for checking whether or not the camera recorder is functioning correctly. The Y and RGB values at the center are displayed in the viewfinder, and whether the signals of each system are being processed correctly from the optical system to the digital system is indicated.

### 7-7-2 DIAGNOSTIC

Item/ Data storage	Variable range	Remarks
CAMSOFT (IN) / / / / / / / /		For displaying the version of the software used for the flash memory incorporated in the microcomputer.
CAMSOFT (OUT) / / / / / / / /		For displaying the version of the software used for the externally connected flash memory.
CAM TABLE / / / / / / / /		For displaying the version of the tables.
FONT ROM / / / / / / / /		For displaying the version of the font used for the characters.
PLD (CHAR) / / / / / / / /		For displaying the version of the program software used for the characters.
PLD (V SEL) / / / / / / / /		For displaying the version of the program software used for VIDEO SELECT.
PLD (MEM) / / / / / / / /		For displaying the version of the program software used for the memory.
PLD (TG) / / / / / / / /		For displaying the version of the program software used for the CCD drive.

### 7-7-3 LENS ADJ

Item/ Data storage	Variable range	Remarks
F2.8 ADJ / / / / / / / /	ON <u>OFF</u>	The iris is set to f/2.8 only when ON is set for this item.
F16 ADJ / / / / / / / /	ON <u>OFF</u>	The iris is set to f/16 only when ON is set for this item.

The underlining in the variable range column indicates the setting in the preset mode.

# Chapter 7 Menu description tables

## 7-7-4 BLACK SHADING

Item/ Data storage	Variable range	Remarks
CORRECT C U F E	ON OFF	For selecting ON or OFF for the digital black shading compensation.
DETECTION (DIG)	—	For executing the digital black shading compensation.

## 7-7-5 WHITE SHADING

Item/ Data storage	Variable range	Remarks
CORRECT C U F E	ON OFF	For selecting ON or OFF for the white shading compensation.
DETECTION (V SAW)	—	For executing the white shading compensation.

## 7-8 VTR MENU

### 7-8-1 VTR FUNCTION

Item/ Data storage	Variable range	Remarks
HUMID OPE C U F	ON OFF	For selecting whether or not to continue operation when HUMID alarm state has occurred. <b>ON:</b> Operation continues until tape slack is detected even when the HUMID alarm state has occurred during operation. <b>OFF:</b> Operation is stopped as soon as the HUMID alarm state occurs. If the HUMID alarm state occurs during recording, the recording operation will continue unless tape slack is detected regardless of whether ON or OFF has been selected as this item's setting.
REC START C U F	ALL NORMAL	For selecting how recording start is to be accepted.
PAUSE TIMER C U F	10min 20min 30min 60min	For selecting the time during which REC/PAUSE is to continue.
ECU REC CHK SW C U F	R.REVIEW RETAKE	For setting the unit's operation to be performed using the REC check button on the ECU. <b>R.REVIEW:</b> The rec-review operation is performed. <b>RETAKE:</b> The retake operation is performed, after which playback is initiated automatically.  <Note> To use rec review, select REC CHECK as the RET SW item setting on the <7-5-5 SW MODE> page.

## 7-8-2 BATTERY/TAPE

Item/ Data storage	Variable range	Remarks
BATTERY SELECT C U F	AJ-BP490 AU-BP402 HP-30A PRO14 TRIM14 HYTRON50 HYTRON100 DIGITAL14 DIGITAL13 DIONIC BP-H120 NP-L50 NP-L50D ENDURA50 ENDURA80 ENDURA-D BP-L60/90 NP-1B TYPE A TYPE B	For selecting the type of battery to be used. The remaining charge is detected in accordance with the battery which has been selected. The variable range is changed by the item settings selected on the "7-8-3 BATTERY SETTING1" and "7-8-4 BATTERY SETTING2" menus. Note that the initial value for TYPE A corresponds to the PROFORMER and for initial value for TYPE B to the HYTRON100, both of which are manufactured by Anton Bauer.
EXT DC IN SELECT C U F	AC_ADPT AJ-BP490 AU-BP402 HP-30A PRO14 TRIM14 HYTRON50 HYTRON100 BP-H120 NP-L50 ENDURA50 ENDURA80 BP-L60/90 NP-1B TYPE A TYPE B	The variable range is changed by the item settings selected on the "7-8-3 BATTERY SETTING1" and "7-8-4 BATTERY SETTING2" menus.
BATT NEAR END ALARM C U F	ON OFF	For setting whether or not to output the warning tone when the battery charge is nearly depleted.
BATT NEAR END CANCEL C U F	ON OFF	When this item is set to ON, the warning tone and the warning display which are being output can be canceled by pressing the MODE switch when the battery charge is nearly depleted.
BATT END ALARM C U F	ON OFF	For setting whether or not to output the warning tone when the battery charge is depleted.
BATT REMAIN FULL C U F	100% 70%	For setting when the remaining charge display bar on the LCD is to be displayed when a digital battery is used. <b>70%:</b> A full charge is indicated with a 70% display <b>100%:</b> A full charge is indicated with a 100% display.
TAPE NEAR END ALARM C U F	ON OFF	For setting whether or not to output the warning tone when the tape is nearly at its end.
TAPE NEAR END TIME C U F	3min 2min	For setting the remaining tape time at which to sound the warning that the tape has only the designated amount of time (2min. or 3min.) remaining.
TAPE END ALARM C U F	ON OFF	For setting whether or not to output the warning tone when the tape reaches the end.
TAPE REMAIN C U F	5min/■ 3min/■	For setting the time of each segment (■) that makes up the remaining time display bar on the LCD. <b>5min:</b> Each segment denotes a remaining time of 5 minutes. <b>3min:</b> Each segment denotes a remaining time of 3 minutes.

The underlining in the variable range column indicates the setting in the preset mode.

# Chapter 7 Menu description tables

## 7-8-3 BATTERY SETTING1

Item/ Data storage	Variable range	Remarks
AU-BP490	* /	For enabling or disabling the selection made for the BATTERY SELECT item. * : The selection is enabled. / : The selection is disabled.
	AUTO MANUAL	For selecting how the voltage at which the battery charge is considered nearly depleted is to be set. <b>AUTO:</b> The voltage is set automatically. <b>MANUAL:</b> The voltage is set manually.
	11.0 : 11.7 : 15.0	For selecting the voltage at which the battery charge is to be considered nearly depleted in 0.1 V steps when MANUAL has been selected as the setting for the menu item above.
<input type="checkbox"/> C <input type="checkbox"/> U <input type="checkbox"/> F <input type="checkbox"/>		
AU-BP402	* /	For enabling or disabling the selection made for the BATTERY SELECT item. * : The selection is enabled. / : The selection is disabled.
	AUTO MANUAL	For selecting how the voltage at which the battery charge is considered nearly depleted is to be set. <b>AUTO:</b> The voltage is set automatically. <b>MANUAL:</b> The voltage is set manually.
	11.0 : 15.0	For selecting the voltage at which the battery charge is to be considered nearly depleted in 0.1 V steps when MANUAL has been selected as the setting for the menu item above.
<input type="checkbox"/> C <input type="checkbox"/> U <input type="checkbox"/> F <input type="checkbox"/>		
HP-30A	* /	For enabling or disabling the selection made for the BATTERY SELECT item. * : The selection is enabled. / : The selection is disabled.
	AUTO MANUAL	For selecting how the voltage at which the battery charge is considered nearly depleted is to be set. <b>AUTO:</b> The voltage is set automatically. <b>MANUAL:</b> The voltage is set manually.
	11.0 : 11.8 : 15.0	For selecting the voltage at which the battery charge is to be considered nearly depleted in 0.1 V steps when MANUAL has been selected as the setting for the menu item above.
<input type="checkbox"/> C <input type="checkbox"/> U <input type="checkbox"/> F <input type="checkbox"/>		
PRO14	* /	For enabling or disabling the selection made for the BATTERY SELECT item. * : The selection is enabled. / : The selection is disabled.
	AUTO MANUAL	For selecting how the voltage at which the battery charge is considered nearly depleted is to be set. <b>AUTO:</b> The voltage is set automatically. <b>MANUAL:</b> The voltage is set manually.
	11.0 : 13.4 : 15.0	For selecting the voltage at which the battery charge is to be considered nearly depleted in 0.1 V steps when MANUAL has been selected as the setting for the menu item above.
<input type="checkbox"/> C <input type="checkbox"/> U <input type="checkbox"/> F <input type="checkbox"/>		

Item/ Data storage	Variable range	Remarks
TRIM14	* /	For enabling or disabling the selection made for the BATTERY SELECT item. * : The selection is enabled. / : The selection is disabled.
	AUTO MANUAL	For selecting how the voltage at which the battery charge is considered nearly depleted is to be set. <b>AUTO:</b> The voltage is set automatically. <b>MANUAL:</b> The voltage is set manually.
	11.0 : 13.6 : 15.0	For selecting the voltage at which the battery charge is to be considered nearly depleted in 0.1 V steps when MANUAL has been selected as the setting for the menu item above.
<input type="checkbox"/> C <input type="checkbox"/> U <input type="checkbox"/> F <input type="checkbox"/>		
HYTRON50	* /	For enabling or disabling the selection made for the BATTERY SELECT item. * : The selection is enabled. / : The selection is disabled.
	AUTO MANUAL	For selecting how the voltage at which the battery charge is considered nearly depleted is to be set. <b>AUTO:</b> The voltage is set automatically. <b>MANUAL:</b> The voltage is set manually.
	11.0 : 13.5 : 15.0	For selecting the voltage at which the battery charge is to be considered nearly depleted in 0.1 V steps when MANUAL has been selected as the setting for the menu item above.
<input type="checkbox"/> C <input type="checkbox"/> U <input type="checkbox"/> F <input type="checkbox"/>		
HYTRON100	* /	For enabling or disabling the selection made for the BATTERY SELECT item. * : The selection is enabled. / : The selection is disabled.
	AUTO MANUAL	For selecting how the voltage at which the battery charge is considered nearly depleted is to be set. <b>AUTO:</b> The voltage is set automatically. <b>MANUAL:</b> The voltage is set manually.
	11.0 : 13.0 : 15.0	For selecting the voltage at which the battery charge is to be considered nearly depleted in 0.1 V steps when MANUAL has been selected as the setting for the menu item above.
<input type="checkbox"/> C <input type="checkbox"/> U <input type="checkbox"/> F <input type="checkbox"/>		
BP-H120	* /	For enabling or disabling the selection made for the BATTERY SELECT item. * : The selection is enabled. / : The selection is disabled.
	AUTO MANUAL	For selecting how the voltage at which the battery charge is considered nearly depleted is to be set. <b>AUTO:</b> The voltage is set automatically. <b>MANUAL:</b> The voltage is set manually.
	11.0 : 11.4 : 15.0	For selecting the voltage at which the battery charge is to be considered nearly depleted in 0.1 V steps when MANUAL has been selected as the setting for the menu item above.
<input type="checkbox"/> C <input type="checkbox"/> U <input type="checkbox"/> F <input type="checkbox"/>		

# Chapter 7 Menu description tables

Item/ Data storage	Variable range	Remarks
NP-L50	* /	For enabling or disabling the selection made for the BATTERY SELECT item. * : The selection is enabled. / : The selection is disabled.
	AUTO MANUAL	For selecting how the voltage at which the battery charge is considered nearly depleted is to be set. <b>AUTO:</b> The voltage is set automatically. <b>MANUAL:</b> The voltage is set manually.
	11.0 : 12.4 :	For selecting the voltage at which the battery charge is to be considered nearly depleted in 0.1 V steps when MANUAL has been selected as the setting for the menu item above.
<input type="checkbox"/> C <input type="checkbox"/> U <input type="checkbox"/> F <input type="checkbox"/>	15.0	
ENDURA50*1	* /	For enabling or disabling the selection made for the BATTERY SELECT item. * : The selection is enabled. / : The selection is disabled.
	AUTO MANUAL	For selecting how the voltage at which the battery charge is considered nearly depleted is to be set. <b>AUTO:</b> The voltage is set automatically. <b>MANUAL:</b> The voltage is set manually.
	11.0 : 12.4 :	For selecting the voltage at which the battery charge is to be considered nearly depleted in 0.1 V steps when MANUAL has been selected as the setting for the menu item above.
<input type="checkbox"/> C <input type="checkbox"/> U <input type="checkbox"/> F <input type="checkbox"/>	15.0	
ENDURA80*1	* /	For enabling or disabling the selection made for the BATTERY SELECT item. * : The selection is enabled. / : The selection is disabled.
	AUTO MANUAL	For selecting how the voltage at which the battery charge is considered nearly depleted is to be set. <b>AUTO:</b> The voltage is set automatically. <b>MANUAL:</b> The voltage is set manually.
	11.0 : 13.2 :	For selecting the voltage at which the battery charge is to be considered nearly depleted in 0.1 V steps when MANUAL has been selected as the setting for the menu item above.
<input type="checkbox"/> C <input type="checkbox"/> U <input type="checkbox"/> F <input type="checkbox"/>	15.0	
ENDURA-D*2	* /	For enabling or disabling the selection made for the BATTERY SELECT item. * : The selection is enabled. / : The selection is disabled.
	AUTO MANUAL	For selecting how the voltage at which the battery charge is considered nearly depleted is to be set. <b>AUTO:</b> The voltage is set automatically. <b>MANUAL:</b> The voltage is set manually.
	11.0 : 13.2 :	For selecting the voltage at which the battery charge is to be considered nearly depleted in 0.1 V steps when MANUAL has been selected as the setting for the menu item above.
<input type="checkbox"/> C <input type="checkbox"/> U <input type="checkbox"/> F <input type="checkbox"/>	15.0	

\*1 Select the ENDURA50 or ENDURA80 item if the V-mount adapter plate is to be installed and the ENDURA battery is to be used while the battery holder made by Anton Bauer remains in place.

\*2 Select ENDURA-D if the battery holder is to be changed to the IDX made battery holder, and ENDURA80 is to be used instead. It is then possible to display the percentage of the remaining charge of the ENDURA80 battery.

Item/ Data storage	Variable range	Remarks
BP-L60/90	* /	For enabling or disabling the selection made for the BATTERY SELECT item. * : The selection is enabled. / : The selection is disabled.
	AUTO MANUAL	For selecting how the voltage at which the battery charge is considered nearly depleted is to be set. <b>AUTO:</b> The voltage is set automatically. <b>MANUAL:</b> The voltage is set manually.
	11.0 : 11.3 :	For selecting the voltage at which the battery charge is to be considered nearly depleted in 0.1 V steps when MANUAL has been selected as the setting for the menu item above.
<input type="checkbox"/> C <input type="checkbox"/> U <input type="checkbox"/> F <input type="checkbox"/>	15.0	
NP-1B	* /	For enabling or disabling the selection made for the BATTERY SELECT item. * : The selection is enabled. / : The selection is disabled.
	AUTO MANUAL	For selecting how the voltage at which the battery charge is considered nearly depleted is to be set. <b>AUTO:</b> The voltage is set automatically. <b>MANUAL:</b> The voltage is set manually.
	11.0 : 11.3 :	For selecting the voltage at which the battery charge is to be considered nearly depleted in 0.1 V steps when MANUAL has been selected as the setting for the menu item above.
<input type="checkbox"/> C <input type="checkbox"/> U <input type="checkbox"/> F <input type="checkbox"/>	15.0	

### <Note>

In the case of a digital battery (DIGITAL14, DIGITAL13, NP-L50D, DIONIC or ENDURA-D), the remaining battery charge displayed in the viewfinder appears as a percentage.

What is displayed to warn the user that the end of the remaining battery charge is approaching is determined by the setting on the <BATTERY SETTING> screen regardless of the percentage display.

# Chapter 7 Menu description tables

## 7-8-4 BATTERY SETTING2

Item/ Data storage	Variable range	Remarks
DIGITAL14	* /	For enabling or disabling the selection made for the BATTERY SELECT item. * : The selection is enabled. / : The selection is disabled.
NEAR END	11.0 : <u>13.5</u> : 15.0	For selecting in 0.1 V steps the voltage at which the battery charge is to be considered nearly depleted.
END	11.0 : <u>13.2</u> : 15.0	For selecting in 0.1 V steps the voltage at which the battery charge is to be considered depleted.
<input type="checkbox"/> C <input type="checkbox"/> U <input type="checkbox"/> F <input type="checkbox"/>		
DIGITAL13	* /	For enabling or disabling the selection made for the BATTERY SELECT item. * : The selection is enabled. / : The selection is disabled.
NEAR END	11.0 : <u>12.3</u> : 15.0	For selecting in 0.1 V steps the voltage at which the battery charge is to be considered nearly depleted.
END	11.0 : <u>11.8</u> : 15.0	For selecting in 0.1 V steps the voltage at which the battery charge is to be considered depleted.
<input type="checkbox"/> C <input type="checkbox"/> U <input type="checkbox"/> F <input type="checkbox"/>		
DIONIC	* /	For enabling or disabling the selection made for the BATTERY SELECT item. * : The selection is enabled. / : The selection is disabled.
NEAR END	11.0 : <u>13.6</u> : 15.0	For selecting in 0.1 V steps the voltage at which the battery charge is to be considered nearly depleted.
END	11.0 : <u>13.1</u> : 15.0	For selecting in 0.1 V steps the voltage at which the battery charge is to be considered depleted.
<input type="checkbox"/> C <input type="checkbox"/> U <input type="checkbox"/> F <input type="checkbox"/>		
NP-L50D	* /	For enabling or disabling the selection made for the BATTERY SELECT item. * : The selection is enabled. / : The selection is disabled.
NEAR END	11.0 : <u>12.4</u> : 15.0	For selecting in 0.1 V steps the voltage at which the battery charge is to be considered nearly depleted.
END	11.0 : <u>11.6</u> : 15.0	For selecting in 0.1 V steps the voltage at which the battery charge is to be considered depleted.
<input type="checkbox"/> C <input type="checkbox"/> U <input type="checkbox"/> F <input type="checkbox"/>		

Item/ Data storage	Variable range	Remarks
TYPE A	* /	For enabling or disabling the selection made for the BATTERY SELECT item. * : The selection is enabled. / : The selection is disabled.
FULL	12.0 : <u>15.0</u> : 17.0	For selecting in 0.1 V steps the voltage at which FULL is to be displayed.
NEAR END	11.0 : <u>13.5</u> : 15.0	For selecting in 0.1 V steps the voltage at which the battery charge is to be considered nearly depleted.
END	11.0 : <u>12.6</u> : 15.0	For selecting in 0.1 V steps the voltage at which the battery charge is to be considered depleted.
<input type="checkbox"/> C <input type="checkbox"/> U <input type="checkbox"/> F <input type="checkbox"/>		
TYPE B	* /	For enabling or disabling the selection made for the BATTERY SELECT item. * : The selection is enabled. / : The selection is disabled.
FULL	12.0 : <u>15.2</u> : 17.0	For selecting in 0.1 V steps the voltage at which FULL is to be displayed.
NEAR END	11.0 : <u>13.0</u> : 15.0	For selecting in 0.1 V steps the voltage at which the battery charge is to be considered nearly depleted.
END	11.0 : <u>12.4</u> : 15.0	For selecting in 0.1 V steps the voltage at which the battery charge is to be considered depleted.
<input type="checkbox"/> C <input type="checkbox"/> U <input type="checkbox"/> F <input type="checkbox"/>		

The underlining in the variable range column indicates the setting in the preset mode.



# Chapter 7 Menu description tables

## 7-8-5 MIC/AUDIO1

Item/ Data storage	Variable range	Remarks
FRONT VR CH1  C U F	FRONT W.L. REAR ALL OFF	For setting whether or not to make the audio control operational for the input system selected for CH1.
FRONT VR CH2  C U F	FRONT W.L. REAR ALL OFF	For setting whether or not to make the audio control operational for the input system selected for CH2.
MIC LOWCUT CH1  C U F	FRONT REAR W.L. OFF	For selecting the microphone low-cut filter for CH1.
MIC LOWCUT CH2  C U F	FRONT REAR W.L. OFF	For selecting the microphone low-cut filter for CH2.
MIC LOWCUT CH3  C U F	FRONT REAR W.L. OFF	For selecting the microphone low-cut filter for CH3.
MIC LOWCUT CH4  C U F	FRONT REAR W.L. OFF	For selecting the microphone low-cut filter for CH4.
LIMITER CH1  C U F	ON OFF	For selecting the limiter for CH1.
LIMITER CH2  C U F	ON OFF	For selecting the limiter for CH2.
AUTO LEVEL CH3  C U F	ON OFF	For selecting the method used to set the level.
AUTO LEVEL CH4  C U F	ON OFF	For selecting the method used to set the level.
REC CH3/CH4  C U F	SW CH1/2	For selecting the signals to be recorded for CH3 and CH4. <b>SW:</b> The signals complying with the position of the CH3/CH4 selector switch on the side panel are recorded. <b>CH1&amp;2:</b> The same signals for CH1 and CH2 are recorded for CH3 and CH4. The CH3&4 input circuit is set to the power-saving mode.
CUE REC SELECT  C U F	CH1 CH2 CH1+CH2	For selecting the signals to be recorded for the CUE channel.
TEST TONE  C U F	NORMAL ALWAYS OFF CHSEL	For selecting the test signal. <b>NORMAL:</b> The test tone signal is output to all the channels when the CAM/BAR switch has been set to BAR and the CH1 AUDIO IN switch has been set to FRONT. <b>ALWAYS:</b> The test tone signal is always output to all the channels when the CAM/BAR switch has been set to BAR. <b>OFF:</b> The test tone signal is not output. <b>CHSEL:</b> The test tone signal is output to the channels for which the CH1 or CH2 AUDIO IN switch has been set to FRONT when the CAM/BAR switch is set to BAR. It is not output to CH3 or CH4.

## 7-8-6 MIC/AUDIO2

Item/ Data storage	Variable range	Remarks
FRONT MIC POWER  C U F	ON OFF	For selecting the phantom power supply for the front microphone.
REAR MIC POWER  C U F	ON OFF	For selecting the phantom power supply for the rear microphone.
AUDIO OUT  C U F	ON OFF	For setting the audio output circuit. <b>OFF:</b> The power to the output circuit is shut down, and the signals of the circuit are not output. <b>ON:</b> The signals of the audio output circuit are output.
MONITOR SELECT  C U F	STEREO MIX	For selecting the format of the signals to be output to the monitor.
FRONT MIC LEVEL  C U F	-40dB -50dB	For selecting the input level of the front microphone.
REAR MIC CH1 LVL  C U F	-50dB -60dB	For selecting the input level of the rear microphone.
REAR MIC CH2 LVL  C U F	-50dB -60dB	For selecting the input level of the rear microphone.
REAR LINE IN LVL  C U F	0dB +4dB	For selecting the rear line input level.
AUDIO OUT LVL  C U F	0dB +4dB	For selecting the rear audio output level.
HEADROOM  C U F	18dB 20dB	For setting the headroom (reference level).
WIRELESS WARN  C U F	ON OFF	For selecting whether or not to output warnings when the reception of the wireless receiver is poor.

# Chapter 7 Menu description tables

## 7-8-7 TC/UB

Item/ Data storage	Variable range	Remarks
UB MODE	<u>USER</u> TIME DATE EXT TCG FRM RATE REGEN	For selecting the UB mode. <b>USER:</b> Selects the UB value set in the LCD section. <b>TIME:</b> Selects the local time (hour, minute, second). <b>DATE:</b> Selects the local date and time (last 2 digits of year, month, date, hour) <b>EXT:</b> Sets the UB from the TC-IN as the slave. The user value is retained if no value can be read. <b>TCG:</b> Inputs the TCG value unchanged. <b>FRM RATE:</b> Selects the same camera shooting data (frame rate, etc.) as the VAUX UB (VITC UB). <b>REGEN:</b> Reads the value recorded on the tape and then continues to record from that value.
∕ C U F ∕		
VITC UB MODE	<u>USER/EXT</u> TIME DATE TCG FRM RATE REGEN	For selecting the VAUX TC (VITC) UB mode. <b>USER/EXT:</b> When EXT is selected as the UB MODE setting, the value concerned applies; with any other setting, the USER value set by UB is recorded. <b>TIME:</b> The local time (in hours, minutes and seconds) is selected. <b>DATE:</b> The local date (last 2 digits of AD year, month, day and hours) is selected. <b>TCG:</b> The TCG value is used as is for UB. <b>FRM RATE:</b> The same shooting information (frame rate, etc.) of the camera as for VAUX UB (VITC UB) is selected. <b>REGEN:</b> The value recorded on the tape is read and recorded continuously.
∕ C U F ∕		
TCG SET HOLD	<u>ON</u> <u>OFF</u>	For selecting ON or OFF for the function that without fail uses what was previously set as the TCG value for recording when the TCG value had been set before the power was turned off and recording was then performed after the power was turned back on again.
∕ C U F ∕		
FIRST REC TC	<u>REGEN</u> <u>PRESET</u>	For selecting whether or not to regenerate the time code as the value on the tape during the first recording after the power was turned on, the cassette was inserted or a playback or search operation was performed.
∕ C U F ∕		

Item/ Data storage	Variable range	Remarks
P.OFF LCD DISPLAY	<u>ON</u> <u>OFF</u>	For selecting whether or not to set the LCD's time code and display its count while the power is off. <b>ON:</b> The time code can be set and displayed even while the power is off. <b>OFF:</b> While the power is off, the power to the LCD section is turned off, and the time code can be neither set nor displayed.
∕ C U F ∕		
TC OUT	<u>TCG</u> <u>TCG/TCR</u>	For selecting the TC OUT output. <b>TCG:</b> The time code generator value is always output. <b>TCG/TCR:</b> The time code generator value is output with the E-E setting and the time code reader value is output with the playback mode.
∕ C U F ∕		

## 7-8-8 UMID SET/INFO

Item/ Data storage	Variable range	Remarks
COUNTRY	<u>NO-INFO</u>	For inputting the name of the user's country. "NO-INFO" is displayed until this is input.
∕ C U F ∕		
ORGANIZATION	<u>NO-INFO</u>	For inputting the name of the user's organization or company. "NO-INFO" is displayed until this is input.
∕ C U F ∕		
USER	<u>NO-INFO</u>	For inputting the user's name. "NO-INFO" is displayed until this is input.
∕ C U F ∕		
DEVICE NODE		For displaying the ID number of the product.
∕ ∕ ∕ ∕ ∕ ∕		

The underlining in the variable range column indicates the setting in the preset mode.

# Chapter 7 Menu description tables

## 7-8-9 VTR DIAG

Item/ Data storage	Variable range	Remarks
OPERATION / / / / / / / /		For displaying the total time during which the power has been on.
DRUM RUNNING / / / / / / / /		For displaying the total time during which the drum has rotated.
THREADING / / / / / / / /		For displaying the total number of times cassettes have been loaded.
DRUM RUNNING r / / / / / / / /		For displaying the total time during which the drum has rotated after resetting.
THREADING r / / / / / / / /		For displaying the total number of times cassettes have been loaded after resetting.
VTR SYSCON / / / / / / / /		For displaying the software version of the VTR SYSCON microcomputer.
SERVO / / / / / / / /		For displaying the software version of the SERVO microcomputer.
FRONT / / / / / / / /		For displaying the software version of the LCD microcomputer.
VIDEO FPGA / / / / / / / /		For displaying the version of the video FPGA.

## 7-9 OPTION MENU

### 7-9-1 OPTION

Item/ Data storage	Variable range	Remarks
ENG SECURITY / / / / / / / /	ON <u>OFF</u>	For selecting whether or not to place a restriction on the opening and closing of the MENU screen. <b>ON:</b> The MENU screen can no longer be opened. To release this restriction, consult your nearest service center. <b>OFF:</b> No restriction is placed on the opening and closing of the MENU screen.
P.HALF SHUT / / / / / / / /	ON <u>OFF</u>	For selecting whether or not to include the 1/2 shutter during progressive operations even when the shutter is OFF. <b>ON:</b> The 1/2 shutter is included. <b>OFF:</b> The shutter is not included.
ID MIX INH / / / / / / / /	ON <u>OFF</u>	For selecting whether or not to turn off the function that mixes the ID with the camera image. <b>ON:</b> Mixing is turned off. The ID is not mixed with the camera image. <b>OFF:</b> Mixing is enabled. The CAMERA ID settings for VF INDICATOR1 are used.

7

### 7-9-2 DOWNCON SETTING

Item/ Data storage	Variable range	Remarks
DETAIL / / / / / / / /	ON <u>OFF</u>	For setting DETAIL to ON or OFF.
H.DTL LEVEL / / / / / / / /	00 : <u>04</u> : 31	For setting the H.DTL (detail) level.
V.DTL LEVEL / / / / / / / /	00 : <u>04</u> : 15	For setting the V.DTL (detail) level.
DTL CORING / / / / / / / /	00 <u>01</u> : 15	For setting the DTL coring.
H.DTL FREQ. / / / / / / / /	1 : 3 : <u>5</u>	For selecting the H.DTL frequency. <b>1:</b> 2.5 MHz <b>4:</b> 4 MHz <b>2:</b> 3 MHz <b>5:</b> 4.5 MHz <b>3:</b> 3.5 MHz

The underlining in the variable range column indicates the setting in the preset mode.

# Chapter 8 Specifications

## [GENERAL]

<b>Power supply:</b> DC 12 V (11.0 V - 17.0 V)
<b>Power consumption:</b> 37 W

 indicates safety information.

### Ambient operating temperature:

0°C to +40°C

### Storage temperature:

-20°C to +60°C

### Ambient operating humidity:

Within 10% to 85% (relative humidity)

### Continuous operation time:

Approx. 120 min. (using the DIONIC90 made by Anton Bauer)

### Dimensions (W×H×D):

129 mm×204 mm×313 mm  
(excluding handle)

### Weight:

Approx. 4.4 kg  
(main unit only)

## [CAMERA UNIT]

### Pickup devices:

2/3-inch CCD ×3

### CC/ND Filter:

CC A: CROSS  
B: 3200 K  
C: 4300 K  
D: 6300 K  
ND 1: CLEAR  
2: 1/4ND  
3: 1/16ND  
4: 1/64ND

### Quantizing:

12 bits

### Digital signal processing:

74.25 MHz

### Horizontal drive frequency:

74.25 MHz

### Programmable gain values:

Any 3 positions (L, M, H) can be set from among -3, 0, 3, 6, 9, 12, 15, 18, 21, 24, 27 and 30 dB

### S.GAIN function:

30, 36, 42 or 48 dB selectable

### DS.GAIN function:

+6 dB (25P), +10 dB (16P), +12 dB (12P), +15 dB (8P), or +20 dB (5P) gain increase selectable

### Shutter speeds:

1/60, 1/120, 1/250, 1/500, 1/1000 and 1/2000

### Synchro scan shutter:

50i: 1/50.2 to 1/209.4  
25PsF: 1/25.2 to 1/209.4

### LINE MIX GAIN function

+6 dB (can be set to ON or OFF)

### Lens mount:

2/3-inch Bayonet type

### Optical system:

F1.4 prism system

### Sensitivity:

F10 (2000 lux, 89.9% reflection)

### Minimum subject brightness:

0.008 lux (at F1.4, 48 dB + gain increase of 20 dB + 6 dB)

### Video signal-to-noise ratio:

54 dB (typical)

### Registration:

Less than 0.03% (entire area, excluding lens distortion)

### Geometric distortion:

Negligible (excluding lens distortion)

## [VTR UNIT]

### Video System

### Sampling frequency:

Y: 74.25 MHz  
PB/PR: 37.125 MHz

### Quantizing:

8 bits

### Video compression system:

DCT + variable-length code

### Video compression ratio:

1/6.7

### Error correction:

Reed-Solomon product code

### Video recording bit rate:

100 Mbps

### Audio System

### Sampling frequency:

48 kHz (synchronized with video)

### Quantizing:

16 bits

### Frequency response:

20 Hz to 20 kHz ±1.0 dB (at 1 kHz, reference level)

### Dynamic range:

Better than 85 dB (at 1 kHz, AWTD)

### Distortion:

Less than 0.1% (at 1 kHz, reference level)

### Wow and flutter:

Below measurable limits

### Head room:

18 dB

# Chapter 8 Specifications

---

## Tape Transport System

### Tape speed:

67.708 mm/sec

### Recording time:

33 minutes (when AJ-HP33EMG is used)

### Fast forwarding time:

Approx. 1 min. 30 sec. (when AJ-HP33EMG is used)

### Rewinding time:

Approx. 1 min. 30 sec. (when AJ-HP33EMG is used)

## [CONNECTOR SECTION]

### Audio Input Connectors

#### AUDIO IN CH1/CH2 (XLR ×2, 3 pins):

LINE/MIC/MIC + 48 V switching type

LINE: 0 dBu (0 or +4 dBu, selected on menu)

MIC: -60 dBu (-60 or -50 dBu, selected on menu)

MIC + 48 V:

Phantom power supply + 48 V supported,

-60 dBu (-60 or -50 dBu, selected on menu)

#### MIC IN (XLR, 5 pins):

Phantom + 48 V:

-40 dBu (-50 or -40 dBu, selected on menu)

#### WIRELESS IN (25 pins):

D-SUB, -40 dBu

### Audio Output Connectors

#### AUDIO OUT CH1/CH2 (XLR, 5 pins):

0 dBu (0 or +4 dBu, selected on menu)

#### Earphone (stereo mini jacks ×2)

### Video Input Connector

#### GENLOCK IN (BNC):

1.0 Vp-p, 75Ω

### Video Output Connector

#### HD SDI (BNC):

0.8 Vp-p, 75Ω

#### VIDEO OUT (BNC, DOWNCON):

1.0 Vp-p, 75Ω

### Time Code Input Connector

#### TC IN (BNC):

0.5 Vp-p to 7 Vp-p, high impedance

### Time Code Output Connector

#### TC OUT (BNC):

2.0 Vp-p, low impedance

### Other Connectors

#### DC IN (XLR, 4 pins):

DC 12 V (DC 11 V to 17 V)

#### DC OUT (4 pins):

DC 12 V (DC 11 V to 17 V), max. 1 A

#### LENS (multi 12 pins)

#### EVF (multi 20 pins)

#### GPS (6 pins, connector used for AJ-GPS900G)

#### ECU (6 pins, connector used for AJ-EC3E)

## [ACCESSORIES]

#### Shoulder strap

#### Control knob

#### Screw (M2×6 mm) (XYNZ + J6FZ) ×1

---

**Panasonic Broadcast Europe**  
**Panasonic Marketing Europe GmbH**

Hagenauer Str. 43, 65203 Wiesbaden-Biebrich Deutschland Tel: 49-611-235-481

© 2005 Matsushita Electric Industrial Co., Ltd. All Rights Reserved.



## Free Manuals Download Website

<http://myh66.com>

<http://usermanuals.us>

<http://www.somanuals.com>

<http://www.4manuals.cc>

<http://www.manual-lib.com>

<http://www.404manual.com>

<http://www.luxmanual.com>

<http://aubethermostatmanual.com>

Golf course search by state

<http://golfingnear.com>

Email search by domain

<http://emailbydomain.com>

Auto manuals search

<http://auto.somanuals.com>

TV manuals search

<http://tv.somanuals.com>