

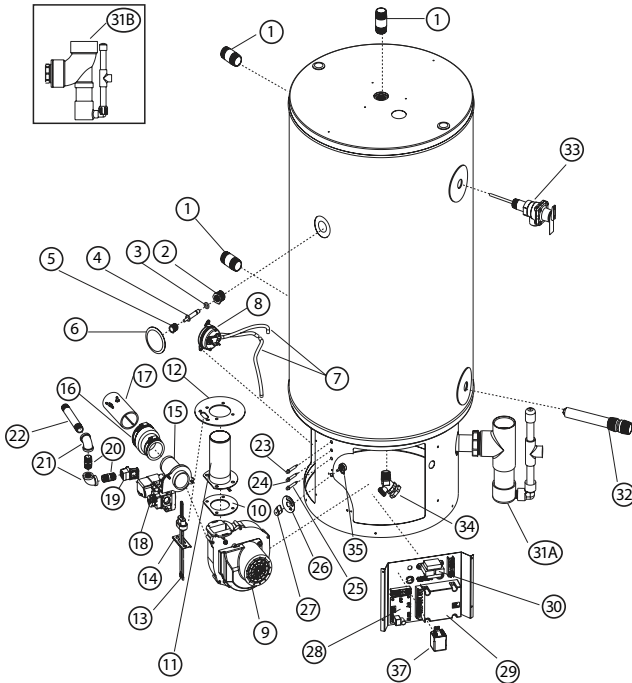


# **POLARIS<sup>®</sup>**

## **Replacement Parts**

# Repair Parts Illustrations

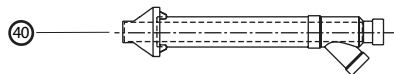
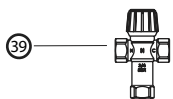
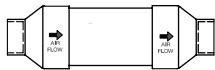
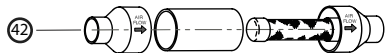
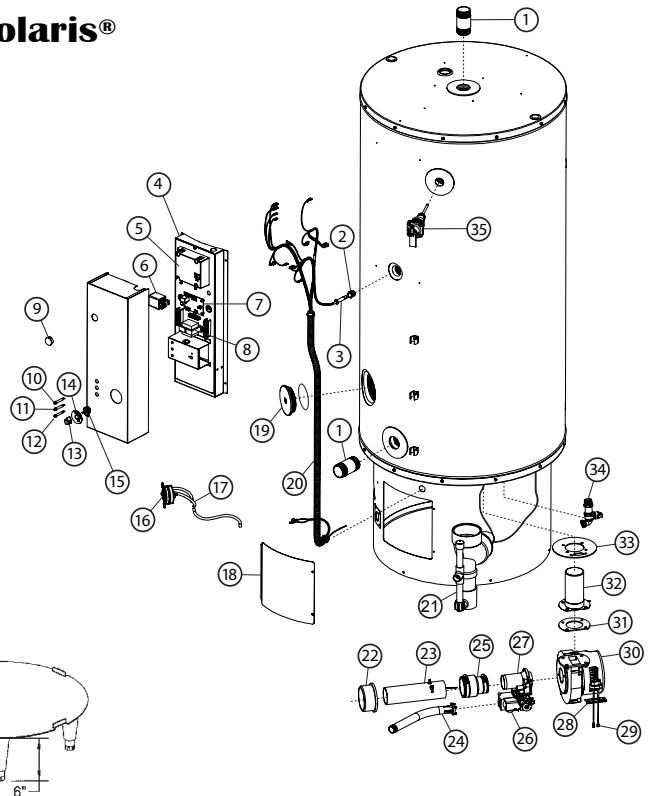
## 34- and 50-Gallon Polaris®



No.	Part Name and Description	No.	Part Name and Description
1	1" NPT x 3" Brass Nipple	20	1/2" NPT x 2" Nipples
2	Thermostat Sensor Bushing	21	1/2" NPT Elbows
3	O-Ring	22	1/2" NPT x 4-1/2" Nipple
4	Thermostat Sensor/ECO	23	Red LED
5	Inverted Flare Nut	24	Yellow LED
6	Plug	25	Green LED
7	Vinyl Tubing	26	Thermostat Bezel
8	Pressure Switch	27	Temperature Selector Knob
9	Combustion Blower	28	Thermostat Board
10	4" Diameter Blower Gasket	29	Ignition Control
11	Burner (Natural and LP Same)	30	Transformer
12	6" Diameter Burner Gasket	31A	2" Condensate Trap Assembly
13	Hot Surface Igniter	31B	3" Condensate Trap Assembly
14	Igniter Bracket	32	Cold Water Tube Assembly
15	Venturi Manifold	33	Temperature & Pressure Relief Valve
16	Reducing Coupling	34	Drain Valve
17	Air Inlet Pipe Assembly	35	Potentiometer
18	Gas Valve	36	Venturi Gasket (Not Pictured)
19	1/2" NPT 90° Inlet Flange	37	Blower Isolation Relay

## 100-Gallon Polaris®

No.	Part Name and Description	No.	Part Name and Description
1	1-1/2" NPT x 3" Brass Nipple	19	Clean-out Plug with O-ring
2	Thermostat Sensor Bushing	20	Conduit
3	Thermostat Sensor/ECO	21	3" Condensate Trap Assembly
4	Control Panel Housing	22	Bushing
5	Ignition Control	23	Air Inlet Pipe Assembly
6	Blower Isolation Relay	24	3/4" Gas Inlet Pipe
7	Thermostat Board	25	Pipe Coupling
8	Transformer	26	Gas Valve
9	Sight Glass	27	Venturi Manifold
10	Red LED	28	Igniter Bracket
11	Yellow LED	29	Hot Surface Igniter
12	Green LED	30	Blower
13	Temperature Selector Knob	31	4" Diameter Blower Gasket
14	Thermostat Bezel	32	Burner (Natural and LP Same)
15	Potentiometer	33	6" Diameter Burner Gasket
16	Pressure Switch	34	Drain Valve
17	Vinyl Tubing	35	Temperature & Pressure Relief Valve
18	Access Panel		



34/50Gal Item Number	100 Gal. Item Number	Description	Part Number*
1		Brass Nipple	6907319
	1	Brass Nipple 1-1/2" NPT x 3"	6907348
2	2	Thermostat Bushing	6907304
4	3	E.C.O. / Sensor - Resettable	6905055
8		Pressure switch [100 & 175 MBtu's]	6903770
8	16	Pressure switch [130, 150, & 199 MBtu's]	6903769
9		Blower [100 MBtu's]	6903772
9		Blower [130 Mbtu's]	6903771
9		Blower [150 Mbtu's]	6903790
9		Blower [175 MBtu's]	6903773
9	30	Blower [199 MBtu's]	6903774
10	31	4" Blower gasket	6903779
11	32	Burner (Natural & Propane)	6903780
12	33	6" Burner gasket	6903781
13	29	Igniter Kit - Includes: Gasket & Bracket	6903768
16		Reducer Coupling	6903782
17		Air Inlet Pipe Assembly [100, 130, & 150 MBtu's]	6903783
17		Air Inlet Pipe Assembly [175 & 199 MBtu's]	6903789
	23	Air Inlet Pipe Assembly [100-Gallon]	6907349
	24	3/4" gas inlet pipe	4710871
18	26	Gas Valve	6903775
23	10	Red LED Light	6907307
24	11	Yellow LED Light	6907306
25	12	Green LED Light	6907305
28		Thermostat Board 160 Deg. (Residential)	6905052
28	7	Thermostat Board 185 Deg. (Commercial)	6903777
29		Ignition Control [100, 130 & 150 MBtu's]	6907309
29	5	Ignition Control [175 & 199 MBtu's]	6907347
30	8	Transformer	6907302
31A		2" Condensate trap Assembly [100, 130 & 150 MBtu's]	4710816
31B		3" Condensate trap Assembly [175 & 199 MBtu's]	4710817
	21	3" Condensate trap Assembly [100-Gallon]	4710838
32		Cold Water Tube	6903778
33		T & P Valve [100 MBtu's]	6907317
33	35	T & P Valve [130, 150, 175 & 199 Mbtu's]	6903786
34	34	Drain Valve	6907316
36	15	Potentiometer	6905050
39		Tempering Valve (Supplied with PG Only)	4310027
N/A	N/A	Thermostat Kit 160 Deg. - Includes Board, ECO/Sensor & Potentiometer	6905033
N/A	N/A	Thermostat Kit 185 Deg. - Includes Board, ECO/Sensor & Potentiometer	6907350
40		Concentric Vent Kit - For 2" Vent piping	6910542
40	40	Concentric Vent Kit - For 3" Vent piping	6910543
41		NSF Stand Kit [34/50-Gallon Commercial]	6910547
	41	NSF Stand Kit [100-Gallon Commercial]	6910613
N/A		Water Test Kit	6903791
42	42	Air Intake Filter Kit	6910614
N/A		Gasket Kit Includes Item 10 & 12 w/Nuts & Washers	6907345
	19	Clean-out plug	4710835
	19	Clean-out o-ring	4410147

\*Parts for PG & PGC models, plus PR & PC models manufactured after July 2002

**Order Entry and Sales**

500 Princeton Road (FedEx, UPS)  
Johnson City, TN 37601-2030  
P.O. Box 4056 (Mailing)  
Johnson City, TN 37602-4056  
Hours of Operation:  
Monday-Friday 8:00 a.m. - 6:30 p.m. EST  
(800) 937-1037 Fax: (800) 581-7224

**Warranty and Service Support**

500 Princeton Road (FedEx, UPS)  
Johnson City, TN 37601-2030  
P.O. Box 1597 (Mailing)  
Johnson City, TN 37605

**Residential Product Service and Support**

Hours of Operation:  
Monday-Friday 8:00 a.m. - 8:00 p.m. EST  
Saturday 9:00 a.m. - 6:00 p.m. EST  
(800) 999-9515 Fax: (800) 999-5210

**Commercial Product Service and Support**

Hours of Operation:  
Monday-Friday 8:00 a.m. - 8:00 p.m. EST  
Saturday 9:00 a.m. - 6:00 p.m. EST  
(800) 456-9805 Fax: (800) 999-5210

**Warranty Claims**

Hours of Operation:  
Monday-Friday 8:00 a.m. - 5:00 p.m. EST  
(800) 999-5052 Fax: (800) 999-5210

**General Information**

Hours of Operation:  
Monday-Friday 8:00 a.m. - 5:00 p.m. EST  
(423) 283-8000 Fax: (423) 283-8050

**International Sales**

Hours of Operation:  
Monday-Friday 8:00 a.m. - 5:00 p.m. EST  
(423) 283-8062 or (423) 283-8176  
Fax: (423) 283-8137

**Literature Fulfillment/Promotional Items**

Hours of Operation:  
Monday-Friday 8:00 a.m. - 5:00 p.m. EST  
(423) 232-2477 Fax: (423) 232-2480

**Credit/Collections**

Hours of Operation:  
Monday-Friday 8:00 a.m. - 5:00 p.m. EST  
(423) 434-1681 Fax: (423) 975-2457

Visit our Website at  
[www.americanwaterheater.com](http://www.americanwaterheater.com)

## Free Manuals Download Website

<http://myh66.com>

<http://usermanuals.us>

<http://www.somanuals.com>

<http://www.4manuals.cc>

<http://www.manual-lib.com>

<http://www.404manual.com>

<http://www.luxmanual.com>

<http://aubethermostatmanual.com>

Golf course search by state

<http://golfingnear.com>

Email search by domain

<http://emailbydomain.com>

Auto manuals search

<http://auto.somanuals.com>

TV manuals search

<http://tv.somanuals.com>