

American Standard



Installation Instructions

4251

BOTTOM MOUNT KITCHEN FAUCET

Thank you for selecting American-Standard...the benchmark of fine quality for over 100 years.

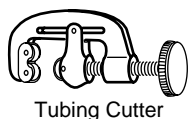
To ensure that your installation proceeds smoothly—please read these instructions carefully before you begin.



Certified to comply with ASME A112.18.1M

M968412A

TOOLS REQUIRED



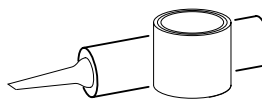
Tubing Cutter



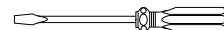
Adjustable Wrench



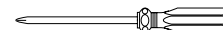
Channel Locks



Plumbers' Putty or Caulking



Flat Blade Screwdriver



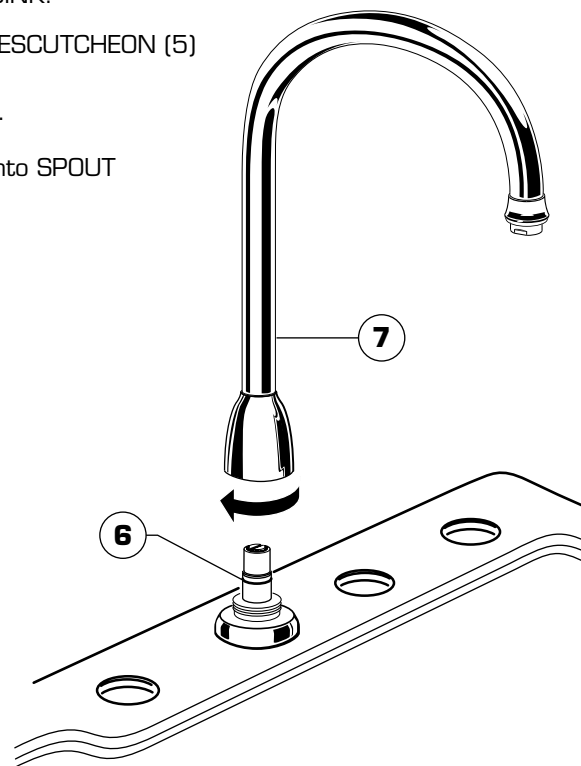
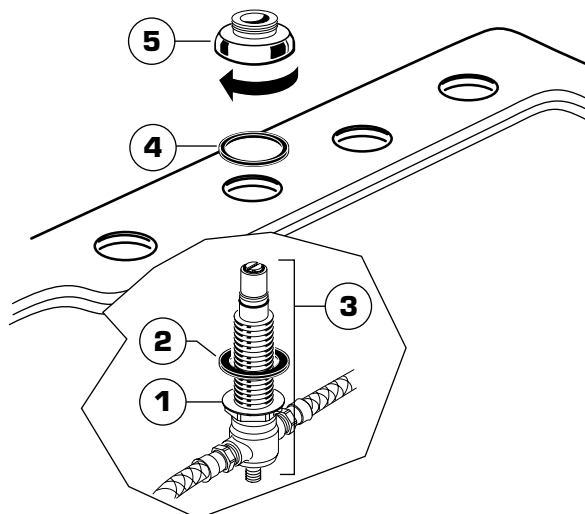
Phillips Screwdriver

1 INSTALL FAUCET

CAUTION

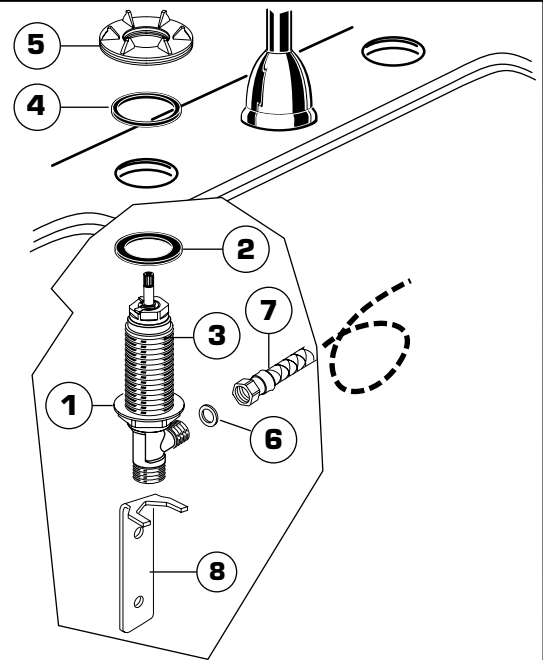
Turn off hot and cold water supplies before beginning.

- Install LOCK NUT (1) and RUBBER WASHER (2) onto SPOUT BODY (3). Insert SPOUT BODY (3) through mounting hole from underside of SINK.
- Place RUBBER RING (4) into SPOUT ESCUTCHEON (5) and thread ESCUTCHEON (5) onto SPOUT BODY (3) until snug against internal stop.
- From under sink tighten LOCK NUT (1) to secure SPOUT BODY (3).
- Make sure O-RING (6) is in place. Thread SPOUT ASSEMBLY (7) onto SPOUT ESCUTCHEON (5) and hand tighten.



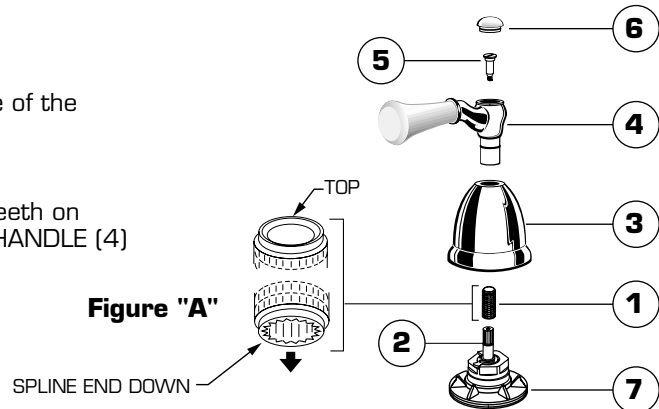
2 INSTALL VALVE BODIES

- Install LOCK NUT (1) and RUBBER WASHER (2) onto VALVE BODIES (3). Insert VALVE BODY (3) through mounting hole from underside of SINK.
- Place RUBBER RING (4) into DECK ADAPTER (5) and thread DECK ADAPTER (5) onto VALVE BODY (3) until snug against internal stop.
- Set VALVE BODIES (3), so that their outlets are facing toward center of sink, and tighten LOCK NUT (1) using WRENCH (8) supplied with faucet.
- Insert SEAL WASHERS (6) into SPOUT BODY SUPPLY HOSES (7). Loop SUPPLY HOSES (7) if required and tighten connection to VALVE BODIES (3).



3 INSTALL HANDLES

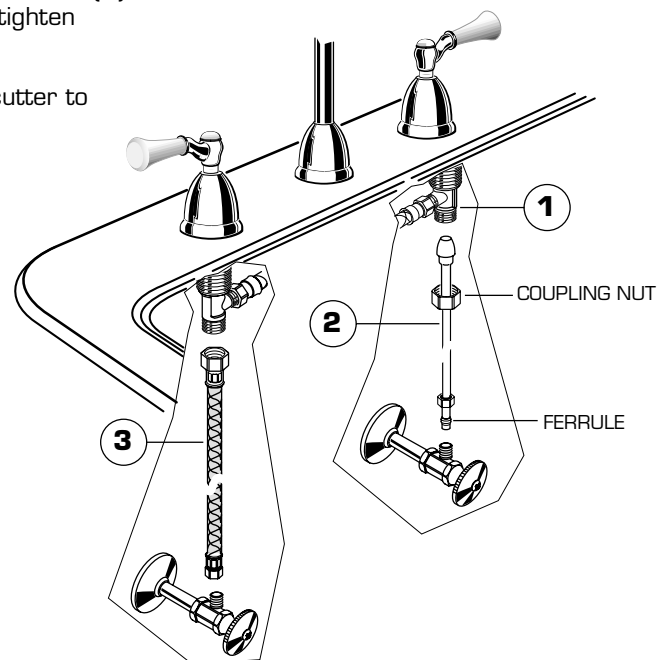
- Push ADAPTER (1) on VALVE STEM (2), so that the hole of the ADAPTER (1) without spline is facing up. See figure "A".
- Thread HANDLE BASE (3) onto DECK ADAPTER (7)
- Find correct position of HANDLE (4) by adjusting male teeth on ADAPTER (1) to female teeth in HANDLE (4) and push HANDLE (4) onto ADAPTER (1).
- Secure HANDLE (4) with HANDLE SCREW (5).
- Push INDEX CAP (6) in hole of HANDLE (4).



4 MAKE WATER SUPPLY CONNECTIONS

NOTE: FLEXIBLE SUPPLIES OR BULL-NOSE RISERS MUST BE PURCHASED SEPARATELY.

- Connect water supply to FAUCET (1) with 1/2" IPS FLEXIBLE SUPPLIES (3) or 3/8" O.D. BULL-NOSE RISERS (2). Use adjustable wrench to tighten connections. Do not over tighten.
- Be careful not to kink copper supply when bending. Use tubing cutter to cut to proper length.

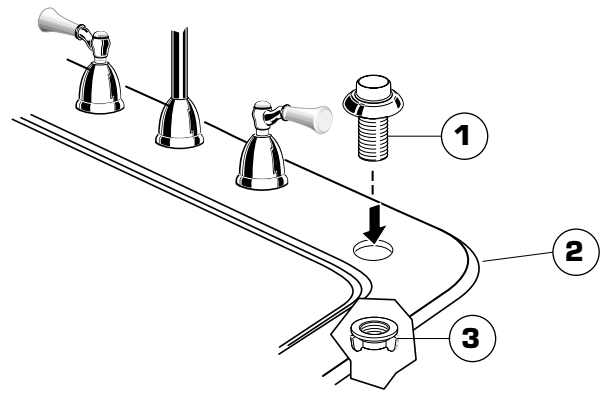


M968412A

5 INSTALL SPRAY HOLDER

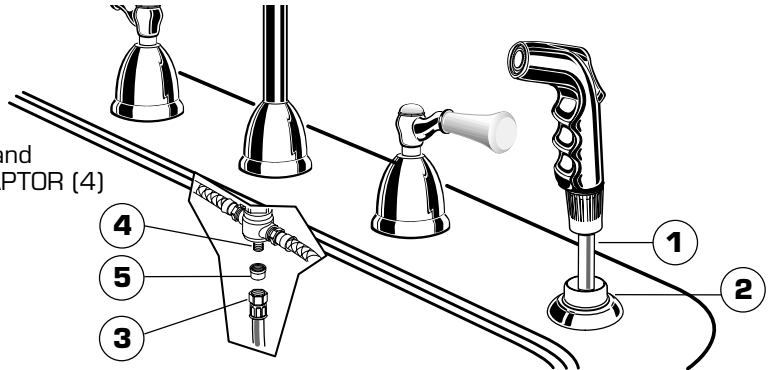
NOTE: FAUCET can be installed with or without Hand Spray.

- Place SPRAY HOLDER (1) into separate hole of SINK (2) and assemble NUT (3) onto shank from underside of SINK (2).
- Hand tighten NUT (3).



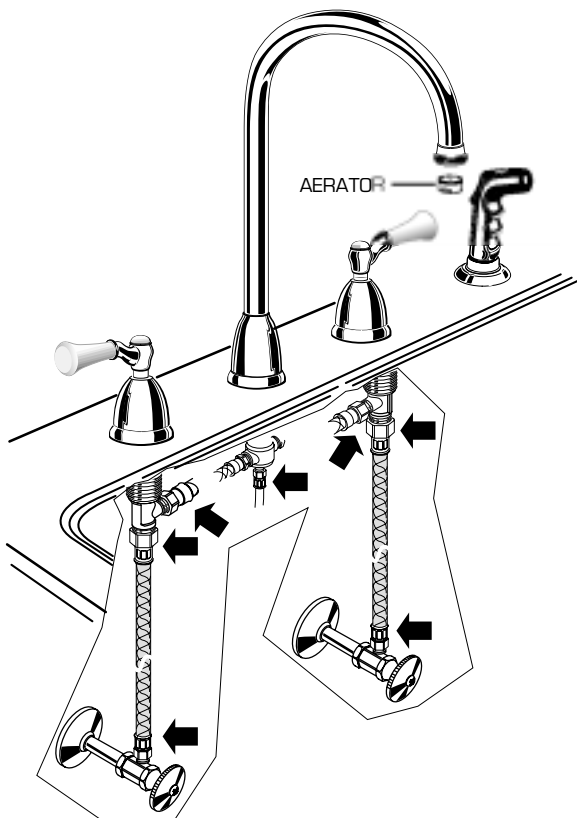
6 FITTING WITH SPRAY

- Unscrew SPRAY CAP (5) from HOSE ADAPTOR (4).
- Feed SPRAY HOSE (1) through SPRAY HOLDER (2) and attach COUPLING NUT (3) of HOSE (1) to HOSE ADAPTOR (4) on valve body. Tighten COUPLING NUT (3) firmly.



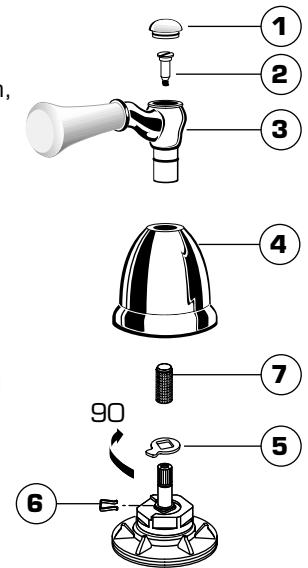
7 TEST INSTALLED FAUCET

- Remove AERATOR. With handles in OFF position, turn on water supplies and check all connections for leaks.
- Operate both HANDLES to flush water lines thoroughly. Rotate SPOUT in both directions. Replace AERATOR.
- Direct SPRAY HEAD into sink and activate SPRAY. Check HOSE connections for leaks.



8 SERVICE

- To change direction of handle rotation, proceed as follows:
 - Turn valve to OFF position.
 - Pull out INDEX CAP (1) and remove HANDLE SCREW (2).
 - Pull off HANDLE (3), and unscrew ESCUTCHEON (4).
 - Pull off STEM ADAPTER (7).
 - Remove SPRING CLIP (6).
 - Lift STOP WASHER (5), turn 90 degrees and replace.
 - Replace SPRING CLIP (6) and STEM ADAPTER (7).
 - Reinstall ESCUTCHEON (4) and HANDLE ASSEMBLY (1, 2 & 3).



If faucet drips proceed as follows:

- Aerator may accumulate dirt causing distorted and reduced water flow. Remove aerator and rinse clean.
- If spout drips, operate handles several times from OFF to ON position. Do not force - handles turn only 90 .

9 CARE INSTRUCTIONS:

DO: SIMPLY RINSE THE PRODUCT CLEAN WITH CLEAR WATER. DRY WITH A SOFT COTTON FLANNEL CLOTH.

DO NOT: CLEAN THE PRODUCT WITH SOAPS, ACID, POLISH, ABRASIVES, HARSH CLEANERS, OR A CLOTH WITH A COARSE SURFACE.

M968412A



American Standard

BOTTOM MOUNT KITCHEN FAUCET

MODEL NUMBER

4251

M962162-0070A
INDEX BUTTON (HOT)

M962163-0070A
INDEX BUTTON (COLD)

918428-0070A
HANDLE SCREW

M962165-YYY0A
LEVER HANDLE

M908505-YYY0A
HANDLE ESCUTCHEON

M962267-YYY0A
SPOUT ESCUTCHEON

918049-0070A
HANDLE ADAPTER

M961634-0070A
SPOUT MOUNTING KIT

M962161-0070A
DECK ADAPTER KIT

A952026-0070A
DIVERTER

994053-0070A
CARTRIDGE

M961634-0070A
VALVE MOUNTING KIT

024220-0070A
SUPPLY NUT

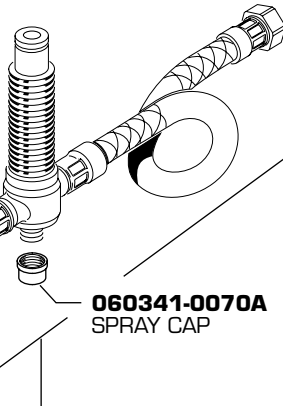
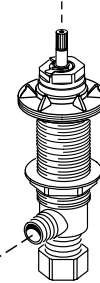


M962265-YYY0A
SPOUT KIT

066070-YYY0A
AERATOR

923012-0070A
CLIP

073542-0070A
SPOUT O-RING

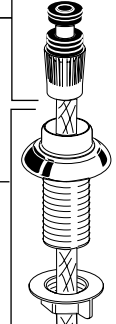
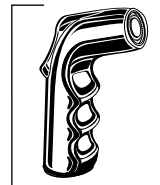


M953667-YYY0A
HANDSPRAY & HOSE

M953040-YYY0A
SPRAY HOLDER

060341-0070A
SPRAY CAP

M961635-0070A
TUBE & SEAL KIT



Replace the "YYY" with appropriate finish code

CHROME	002
SATIN	295



HOT LINE FOR HELP
For toll-free information and answers to your questions, call:
1-800-442-1902
Weekdays 8:00 a.m. to 8:00 p.m. EST
IN CANADA 1-800-387-0369 (TORONTO 1-905-306-1093)
Weekdays 8:00 a.m. to 7:00 p.m. EST

Product names listed herein are trademarks of American Standard Inc.
© American Standard Inc. 2003

M968412A

Free Manuals Download Website

<http://myh66.com>

<http://usermanuals.us>

<http://www.somanuals.com>

<http://www.4manuals.cc>

<http://www.manual-lib.com>

<http://www.404manual.com>

<http://www.luxmanual.com>

<http://aubethermostatmanual.com>

Golf course search by state

<http://golfingnear.com>

Email search by domain

<http://emailbydomain.com>

Auto manuals search

<http://auto.somanuals.com>

TV manuals search

<http://tv.somanuals.com>