



PNP515



PNP517

MANUAL PART NUMBER: 400-0464-003

**PNP515, PNP517,
PNP527, PNP527C, PNP537,
PNP537C, PNP547, PNP547C**

**CUSTOMIZABLE POP 'N PLUG[®]
WITH CUSTOM TABLETOP SURFACE
USER'S GUIDE**

ALTINEX

SIGNAL
MANAGEMENT
SOLUTIONS

Tel: 714-990-2300 • Toll-Free: 1-800-ALTINEX • FAX: 714-990-3303 • E-mail: solutions@altinex.com • Web: www.altinex.com

TABLE OF CONTENTS

	Page
PRECAUTIONS / SAFETY WARNINGS.....	2
GENERAL.....	2
INSTALLATION PRECAUTIONS	2
CLEANING.....	2
FCC NOTICE	2
ABOUT YOUR PNP515/517	3
TECHNICAL SPECIFICATIONS.....	3
PRODUCT DESCRIPTION	4
APPLICATION DIAGRAMS.....	5
DIAGRAM 1: TYPICAL SETUP	5
DIAGRAM 2: CUTOUT DIMENSIONS.....	6
DIAGRAM 3: CLOSED DIMENSIONS	6
DIAGRAM 4: FRONT VIEW DIMENSIONS.....	7
DIAGRAM 5: SIDE VIEW DIMENSIONS.....	8
DIAGRAM 6: STANDARD PLATES US & UK	9
DIAGRAM 7: STANDARD PLATES AU & GR ...	10
INSTALLING YOUR PNP515.....	11
OPERATION.....	11
OPENING AND CLOSING THE PNP515.....	11
POWER/SIGNAL CONNECTIONS.....	11
TROUBLESHOOTING GUIDE.....	11
ALTINEX POLICIES	11
LIMITED WARRANTY/RETURN POLICIES	11
CONTACT INFORMATION	11

This manual also covers the following:

PNP527 and PNP527C for UK,
PNP537 and PNP537C for Australia,
PNP547 and PNP547C for Germany

PNP527 and PNP527C for UK

PNP527: PNP515 with 2 x DS901-122
PNP527C: PNP515 with 2 x DS901-125

PNP537 and PNP537C for Australia

PNP537: PNP515 with 2 x DS901-123
PNP537C: PNP515 with 2 x DS901-126

PNP547 and PNP547C for Germany


PNP547: PNP515 with 2 x DS901-124
PNP547C: PNP515 with 2 x DS901-127

PRECAUTIONS / SAFETY WARNINGS 1

Please read this manual carefully before using your **PNP515/517** Interconnect Box. Keep this manual handy for future reference. These safety instructions are to ensure the long life of your **PNP515/517** and to prevent fire and shock hazards. Please read them carefully and heed all warnings.

1.1 GENERAL

- Unauthorized personnel shall not open the unit since there are high-voltage components inside.
- Qualified ALTINEX service personnel, or their authorized representatives, must perform all service.

	CAUTION RISK OF ELECTRIC SHOCK DO NOT OPEN
The lightning flash and arrowhead within the triangle is a warning sign alerting you of "dangerous voltage" inside the product.	CAUTION: TO REDUCE RISK OF ELECTRIC SHOCK, DO NOT REMOVE COVER (OR BACK) NO USER SERVICEABLE PARTS INSIDE.

1.2 INSTALLATION PRECAUTIONS

- For best results, place the **PNP515/517** in a dry area away from dust and moisture.
- To prevent fire or shock, do not expose this unit to water or moisture. Do not place the **PNP515/517** in direct sunlight, near heaters or heat-radiating appliances, or near any liquid. Exposure to direct sunlight, smoke, or steam can harm internal components.
- Handle the **PNP515/517** carefully. Dropping or jarring can damage the unit.
- Never place fingers inside the openings of the unit. This action could cause serious injury due to sharp edges inside the **PNP515/517**.
- Do not place heavy objects on top of the **PNP515/517**. Do not use excessive force to push down on the top of the unit.

- To turn off the main power, disconnect the power cord which powers the AC socket on the **PNP515/517** pop-up panel. The power outlet used should be installed as near to the equipment as possible and should be easily accessible.
- ALTINEX recommends using wall outlets with a Ground Fault Circuit Interrupter (GFCI) for maximum protection.
- Install all cables according to the instructions. Do not force or pull out any cable or power cord that is attached to the **PNP515/517**.

1.3 CLEANING

- Surfaces should be cleaned with a dry cloth. Never use strong detergents or solvents such as alcohol or thinner. Do not use a wet cloth or water to clean the unit.

1.4 FCC NOTICE

- This device complies with Part 15 of the FCC Rules. Operation is subject to the following two conditions: (1) This device may not cause harmful interference, and (2) this device must accept any interference received, including interference that may cause undesired operation.
- This equipment has been tested and found to comply with the limits for a Class A digital device, pursuant to Part 15 of the FCC Rules. These limits are designed to provide reasonable protection against harmful interference when the equipment is operated in a commercial environment. This equipment generates, uses, and can radiate radio frequency energy and, if not installed and used in accordance with the instructions found herein, may cause harmful interference to radio communications. Operation of this equipment in a residential area is likely to cause harmful interference in which case the user will be required to correct the interference at his expense.
- Any changes or modifications to the unit not expressly approved by ALTINEX, Inc. could void the user's authority to operate the equipment.

ABOUT YOUR PNP515/517 2

PNP515/517

Pop 'N Plug with Custom Tabletop Surface

- Customizable to almost any table top
- Several standard international configurations
- Smooth new look on all sides
- Cutout always matches table surface
- Simple, slide-in installation
- Opens/closes by pressing on top
- Gas spring lift mechanism

This Pop 'N Plug uses a custom tabletop cutout surface, and hardware is attached underneath the cutout. When closed, the **PNP515/517** lays flat and matches the grain on your table.

The **PNP515/517** design allows the connector panels to be easily installed. Just remove the top and slide the connector panels into place. In the open position, the **PNP515/517** is functional yet maintains a smooth, clean appearance. A simple press on the lid closes the unit flush with the tabletop.

The **PNP515** can be purchased with preconfigured options available that include two standard sectional plates.* Each plate includes one or more of the following: AC power, computer video, stereo audio, modem, or network connections. The AC power receptacles on the face plates are available with US or international connections.

All connectors on the face plates are female receptacles. Each signal connector is connected via a 6-foot cable to its corresponding male plug at the opposite end. The AC power cables are 9-foot cords terminated with standard NEMA plugs for the US version, or with the applicable plug for international versions.

* See DIAGRAM 6 and DIAGRAM 7 for the available standard plates on both US and international units.

TECHNICAL SPECIFICATIONS 3

Specifications are subject to change.
See www.altinex.com for up-to-date information.

FEATURES/ DESCRIPTION	PNP515/517
Inputs (female) / Outputs (male)	PNP517
AC Power	NEMA 5-15 (8)
Video	15-pin HD (4)
Computer Audio	3.5mm (4)
Network	RJ-45 (4)
Modem	RJ-11 (4)
C-Video	RCA (2)
Compatibility	PNP515
Accepts DS901 STANDARD sectional plates. *	DS901-122 for UK, DS901-123 for Australia, DS901-124 for Germany, DS901-128 blank, DS901-130 for US
Accepts DS901 CONFIGURABLE sectional plates. *	DS901-125 for UK, DS901-126 for Australia, DS901-127 for Germany, DS901-131 for US

Table 1. **PNP515** General

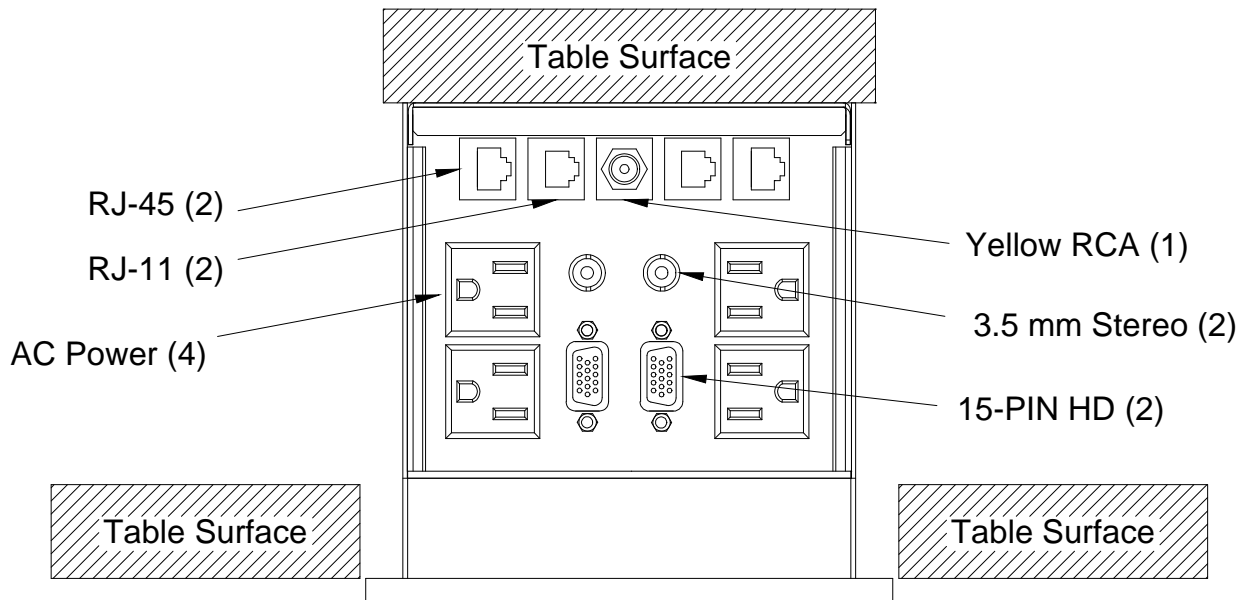
MECHANICAL	PNP515/517
Min. Table Thickness	0.750 in (19 mm)
Max. Table Thickness	1.125 in (29 mm)
Max. weight of custom top	22 oz (0.624 kg)
Width	5.65 in (144 mm)
Depth	5.45 in (138 mm)
Height, opened	5.10 in (130 mm)
Height <i>(below tabletop)</i>	8.75 in (222 mm)
Width <i>(below tabletop)</i>	8.50 in (216 mm)
Depth <i>(below tabletop)</i>	6.125 in (156 mm)
Finish	Matte Black
T° Operating	10°C-35°C
T° Maximum	40°C
Humidity	90% non-condensing

Table 2. **PNP515/517** Mechanical

ELECTRICAL	PNP515/517
Power Rating (pass through AC power)	120VAC, 60Hz, 5A

Table 3. PNP515/517 Electrical

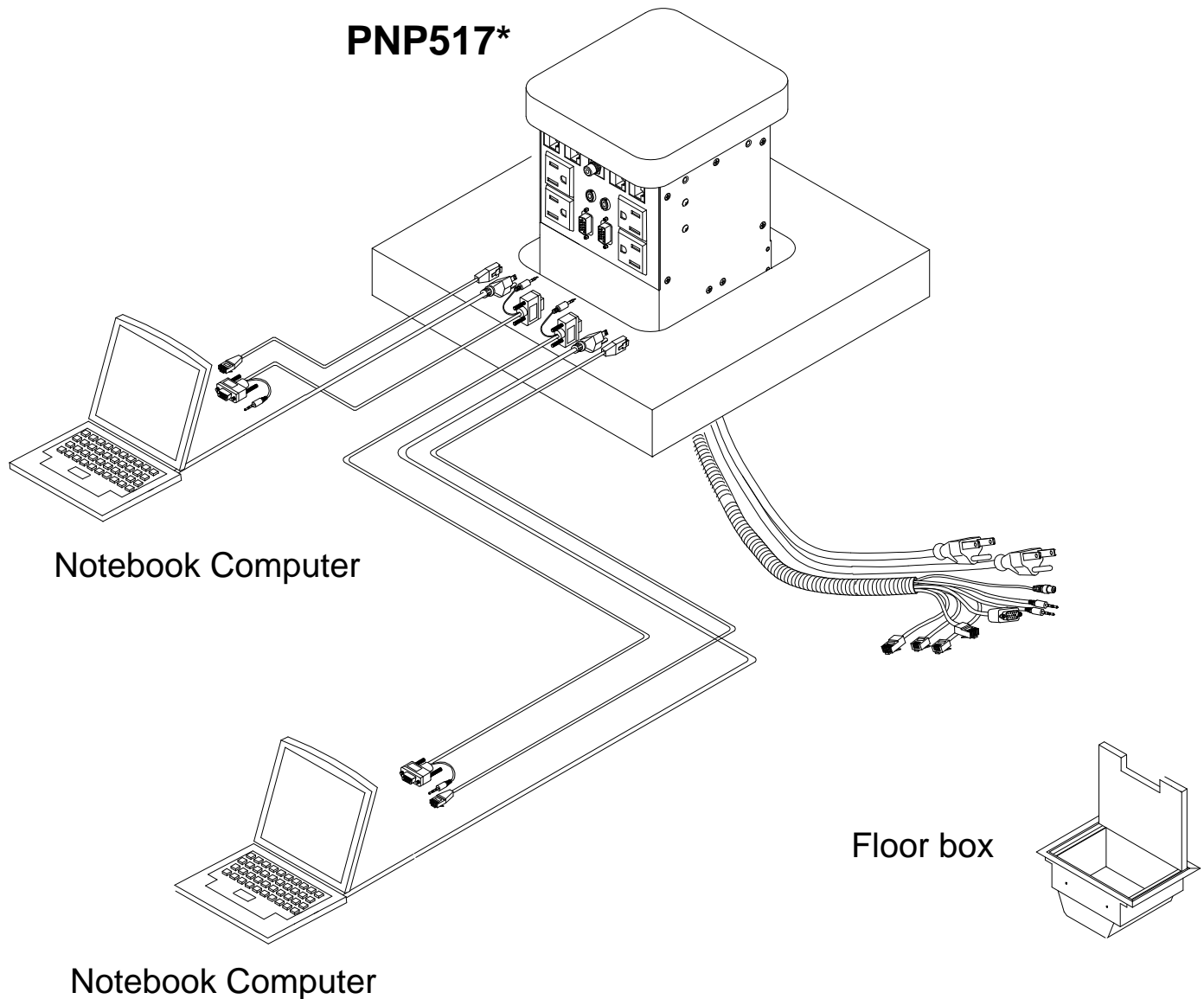
PRODUCT DESCRIPTION 4



NOTE: One side of the **PNP517** connector installation is shown in the above diagram. The **PNP517** has another of the same sectional plates facing the opposite side of the table. Various combinations of connectors, along with the applicable cable types, may be selected for customization at the time of purchase.

Please, refer to the ALTINEX website (www.altinex.com) for specific customization options and instructions.

DIAGRAM 1: TYPICAL SETUP



* The PNP517 is shown as in the above diagram. The PNP517 is a standard configuration that includes the PNP515 and two DS901-301 standard face plates.

DIAGRAM 2: CUTOUT DIMENSIONS

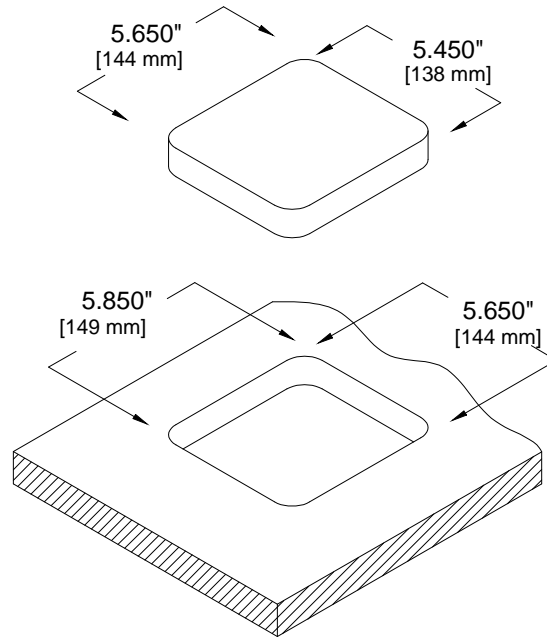
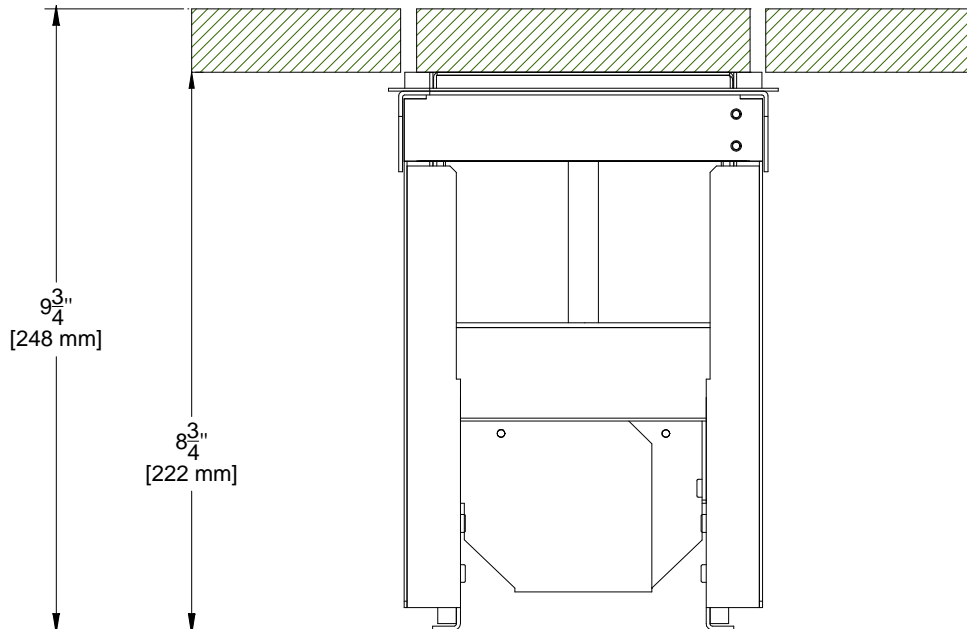


DIAGRAM 3: CLOSED DIMENSIONS



TABLETOP SOLUTIONS

DIAGRAM 4: FRONT VIEW DIMENSIONS

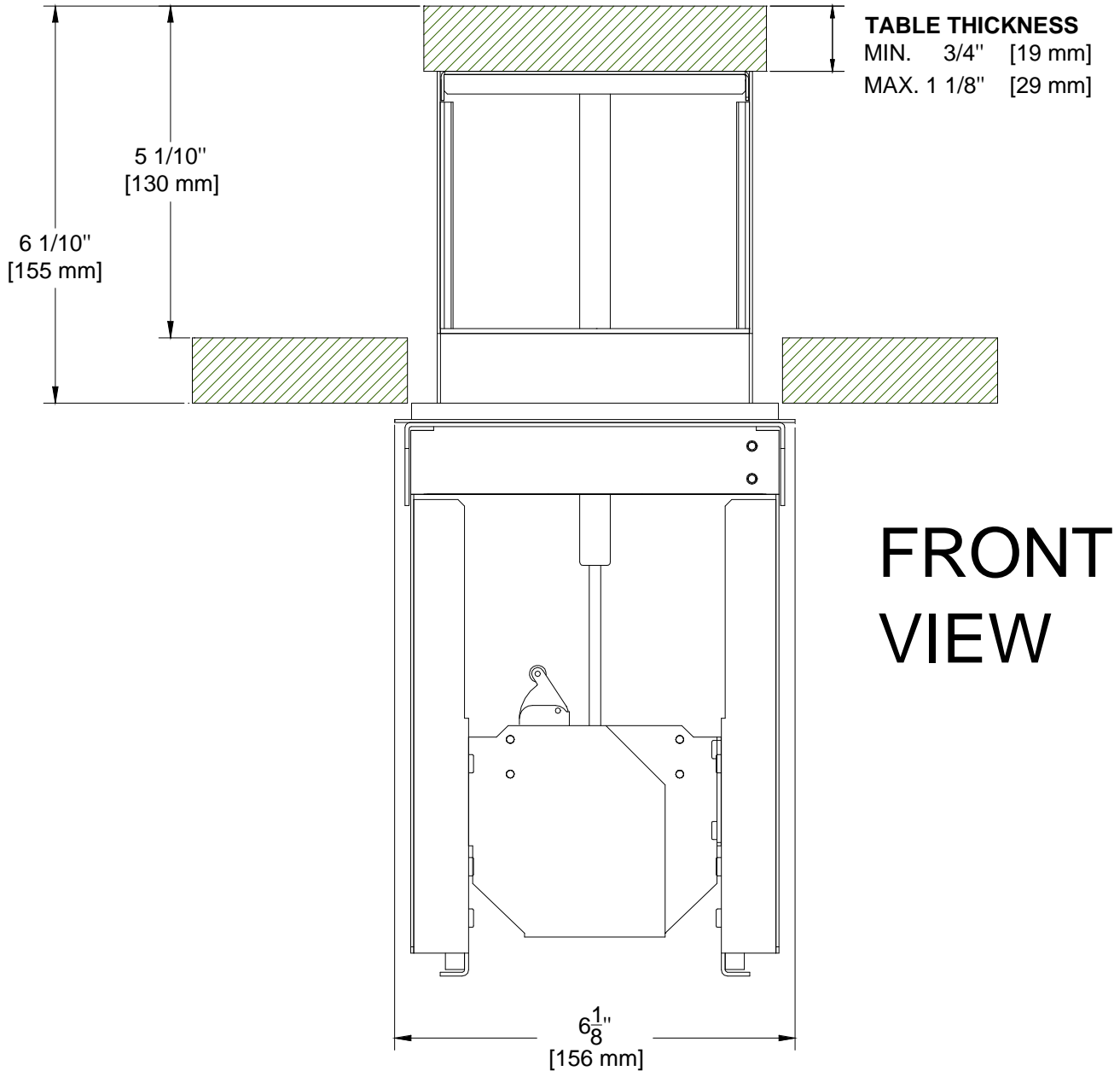


DIAGRAM 5: SIDE VIEW DIMENSIONS

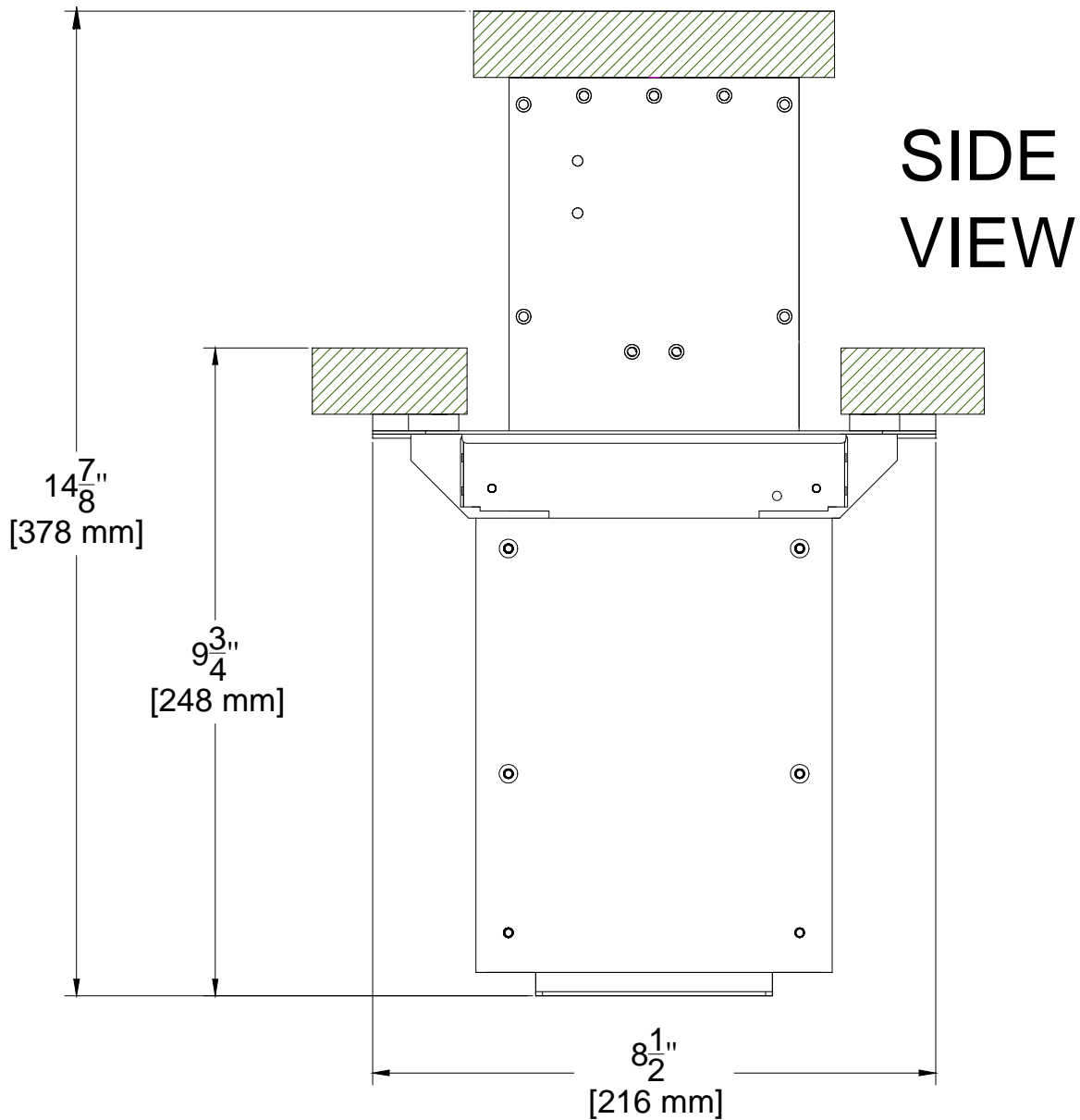
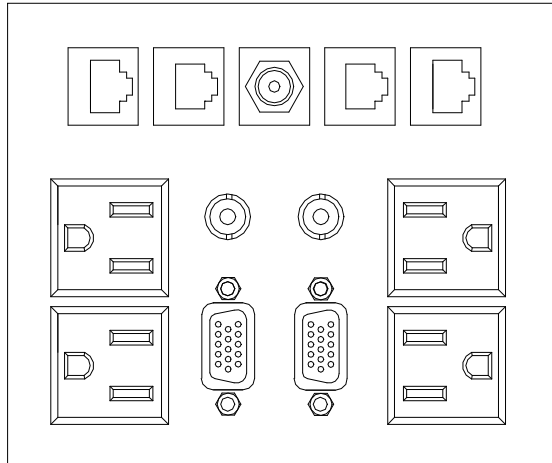


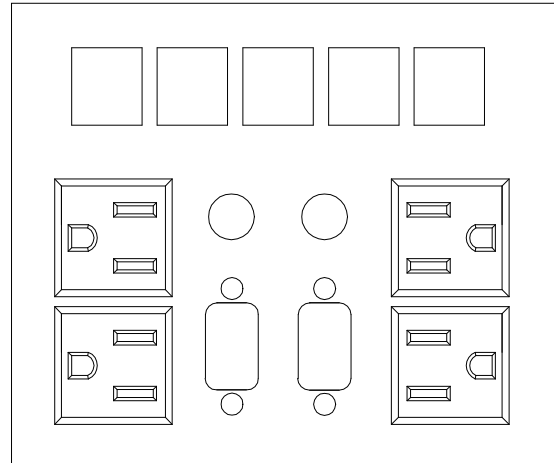
DIAGRAM 6: STANDARD PLATES US & UK

DS901-130



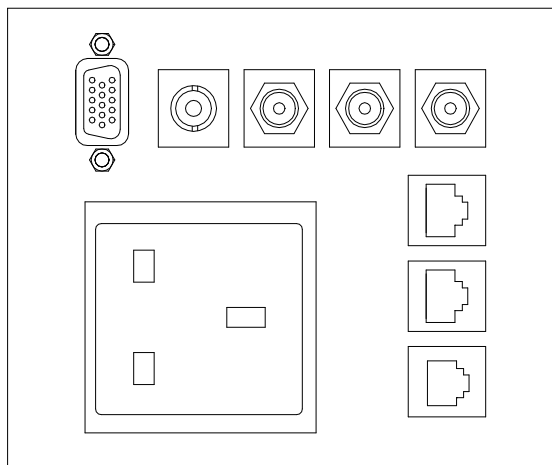
Standard on PNP517 for United States.

DS901-131



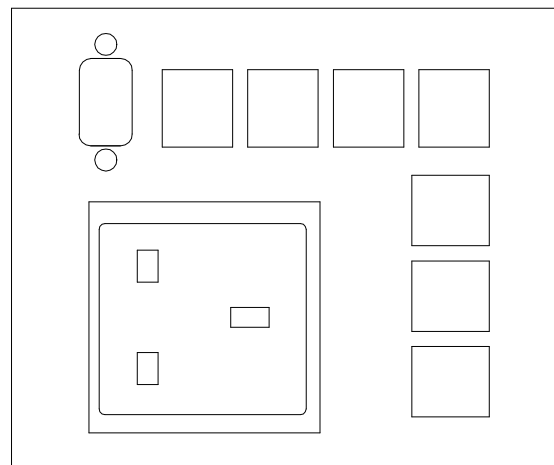
PNP517C with configurable snap-ins.

DS901-122



Standard on PNP527 for United Kingdom.

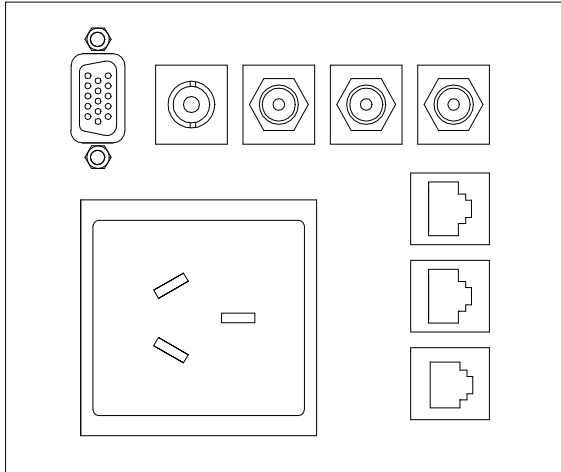
DS901-125



PNP527C with configurable snap-ins.

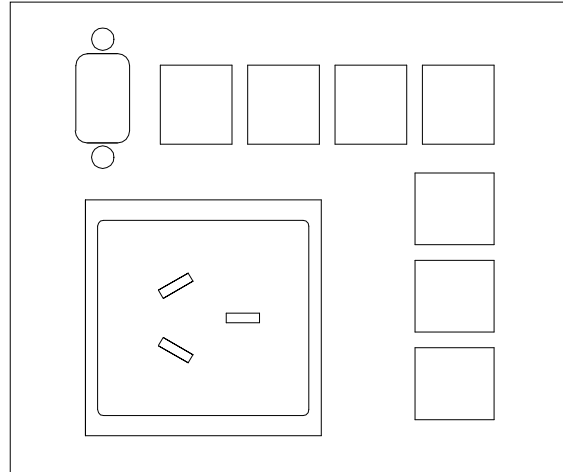
DIAGRAM 7: STANDARD PLATES AU & GR

DS901-123



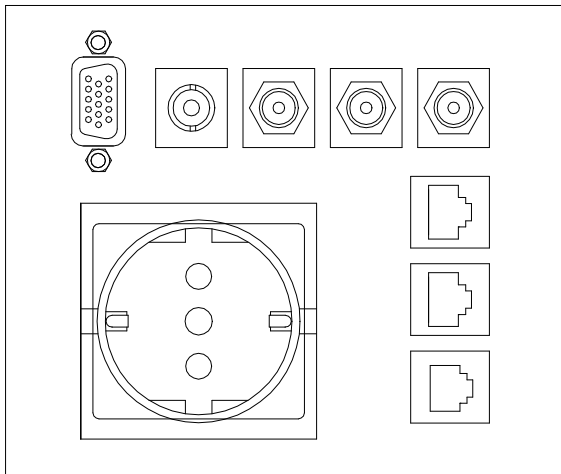
Standard on PNP537 for Australia.

DS901-122



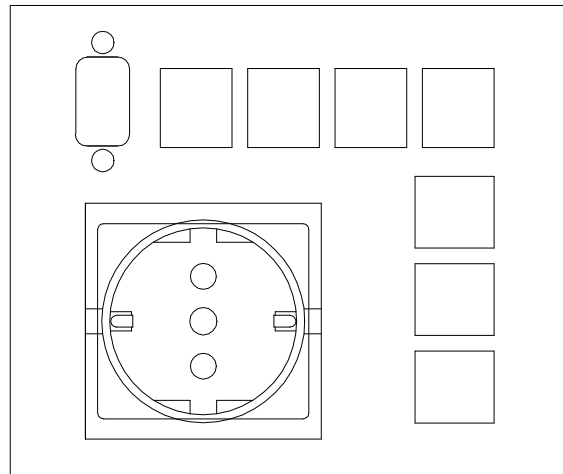
PNP537C with configurable snap-ins.

DS901-124



Standard on PNP547 for Germany.

DS901-127



PNP547C with configurable snap-ins.

INSTALLING YOUR PNP515 6

Step 1. Refer to the ALTINEX website, www.altinex.com, to download the latest templates and instructions for tabletop cutting requirements and installation instructions.

In order to do this, locate the **PNP515** on the website and go to its detail page. The links to the templates, user's guide, and more are on the left-hand side of the screen.

Step 2. Print all information applicable to the installation of the **PNP515**, including the templates and any detailed installation instructions.

Step 3. Cut an opening into the table's surface. This operation should be performed by experienced professionals in order to insure accuracy and to be aesthetically pleasing.

NOTE: Always confirm dimensions before cutting to insure that specifications have not changed.

Step 4. Install the **PNP515** into the table per the installation instructions provided on the website.

Step 5. Connect all cables to their appropriate sources and/or destinations. The **PNP** is now ready for operation.

OPERATION 7

7.1 OPENING AND CLOSING THE PNP515

The **PNP** will open easily when the top is pressed down and then released.

When the **PNP** is not in use, simply press the top down until it is level with the surface of the table and then release. The unit will remain hidden until needed again.

7.2 POWER/SIGNAL CONNECTIONS

Connect external devices to the appropriate connector on the **PNP**. Remember, the devices plugged into the AC power connectors should not draw more than 5A AC.

TROUBLESHOOTING GUIDE 8

The **PNP** unit supplied was carefully tested and no problems were detected. However, we would like to offer the following suggestions:

- Please make sure that the highest quality network cables are used.
- Make sure that no cable or power cord is damaged or pinched. If there has been damage to the unit, do not use the **PNP**. Please contact ALTINEX at (714) 990-2300 to have the unit repaired.

ALTINEX POLICIES 9

9.1 LIMITED WARRANTY/RETURN POLICIES

Please see the ALTINEX website at www.altinex.com for details on warranty and return policies.

9.2 CONTACT INFORMATION

ALTINEX, Inc.

592 Apollo Street

Brea, CA 92821 USA

TEL: 714 990-2300

TOLL FREE: 1-800-ALTINEX

WEB: www.altinex.com

E-MAIL: solutions@altinex.com

Free Manuals Download Website

<http://myh66.com>

<http://usermanuals.us>

<http://www.somanuals.com>

<http://www.4manuals.cc>

<http://www.manual-lib.com>

<http://www.404manual.com>

<http://www.luxmanual.com>

<http://aubethermostatmanual.com>

Golf course search by state

<http://golfingnear.com>

Email search by domain

<http://emailbydomain.com>

Auto manuals search

<http://auto.somanuals.com>

TV manuals search

<http://tv.somanuals.com>