

aiwa

SPEAKER SYSTEM

SX-AVR30

OPERATING INSTRUCTIONS

En (English)

MANUAL DE INSTRUCCIONES

E (Español)

MODE D'EMPLOI

F (Français)

BEDIENUNGSANLEITUNG

D (Deutsch)

ISTRUZIONI PER L'USO

I (Italiano)

GEBRUIKSAANWIJZING

NL (Nederlands)

NÁVOD K OBSLUZE

CZ (Česky)

HASZNÁLATI UTASÍTÁS

M (Magyar)

INSTRUKCJA OBSŁUGI

PO (Polski)

8C-AS2-906-01
020320ACK-H-FO

EZ

WARNING

TO REDUCE THE RISK OF FIRE OR ELECTRIC SHOCK, DO NOT EXPOSE THIS APPLIANCE TO RAIN OR MOISTURE.



OBSERVERA

Så länge som apparaten är ansluten till nätet flyter en svag ström genom densamma, även då den är avstängd. Om man under en längre tid ej har för avsikt att använda den, drag då ur nätkabeln.

BEMÆRK

Apparatet er stadig forbundet med lysnettet, så længe stikket er tilsluttet til stikkontakten, selv om afbryteren er slået fra. Hvis apparatet ikke bruges i længere tid, skal netledningen trækkes ud.

PRECAUTIONS

Read the Operating Instructions carefully and completely before operating the unit. Be sure to keep the Operating Instructions for future reference. All warnings and cautions in the Operating Instructions and on the unit should be strictly followed, as well as the safety suggestions below.

Installation

- 1 **Water and moisture** — Do not use this unit near water, such as near a bath, sink, swimming pool, or the like.
- 2 **Heat** — Do not use this unit near sources of heat, including heating vents, stoves, or other appliances that generate heat. It also should not be placed in temperatures less than 5°C or greater than 35°C.
- 3 **Mounting surface** — Place the unit on a flat, even surface.
- 4 **Ventilation** — The unit should be situated with adequate space around it so that proper heat ventilation is assured. Allow 10 cm clearance from the rear and the top of the unit, and 5 cm from each side.
 - Do not place the unit on a bed, rug, or similar surface that may block the ventilation openings.
 - Do not install the unit in a bookcase, cabinet, or airtight rack where ventilation may be impeded.
- 5 **Objects and liquid entry** — Take care that objects or liquids do not get inside the unit through the ventilation openings.
- 6 **Carts and stands** — When placed or mounted on a stand or cart, the unit should be moved with care. Quick stops, excessive force, and uneven surfaces may cause the unit or cart to overturn or fall.
- 7 **Wall or ceiling mounting** — The unit should not be mounted on a wall or ceiling, unless specified in the Operating Instructions.

Electric Power

- 1 **Power sources** — Connect this unit only to power sources specified in the Operating Instructions, and as marked on the unit.
- 2 **AC power cord**
 - When disconnecting the AC power cord, pull it out by the AC power plug. Do not pull the cord itself.
 - Never handle the AC power plug with wet hands, as this could result in fire or shock.
 - Power cords should be firmly secured to avoid being severely bent, pinched, or walked upon. Pay particular attention to the cord from the unit to the power socket.
 - Avoid overloading AC power sockets and extension cords beyond their capacity, as this could result in fire or shock.
- 3 **When not in use** — Unplug the AC power plug from the AC power socket if the unit will not be used for several months or more. When the cord is plugged in, a small amount of current continues to flow to the unit, even when the power is turned off.

Maintenance

Clean the unit only as recommended in the Operating Instructions.

Damage Requiring Service

Have the unit serviced by a qualified service technician if:

- The AC power cord or plug has been damaged
- Foreign objects or liquid have got inside the unit
- The unit has been exposed to rain or water
- The unit does not seem to operate normally
- The unit exhibits a marked change in performance
- The unit has been dropped, or the cabinet has been damaged

DO NOT ATTEMPT TO SERVICE THE UNIT YOURSELF.

TABLE OF CONTENTS

PRECAUTIONS 2
BEFORE USE 4
SPECIFICATIONS 4
POSITIONING 5
CONNECTION 6
OPERATING SUB WOOFER 7

En

Check your system and accessories

SX-AVR30

- Sub woofer: SX-AVR30 (1)
- Satellite speakers
 - Front: SX-AVR30F (2)
 - Centre: SX-AVR30C (1)
 - Rear: SX-AVR30R (2)
- Sub woofer connecting cord : 1
- Speaker cord : 1, 30 metres of 20 gauge
- Operating instructions, etc.

BEFORE USE

This speaker system consists of a sub woofer and satellite speakers (front, centre and rear speakers).

The satellite speakers have the same appearance. See the back of the speakers to check the sort of the speakers, front, centre and rear.

[SUB WOOFER]

On AC voltage

The rated voltage of the unit shown on the rear panel is 230 V AC. Check that the rated voltage matches your local voltage.

Howling or buzzing sound

A howling or buzzing sound may be heard if a turntable or a stereo system is placed near the unit. Move the unit away from the equipment or decrease the volume.

[SATELLITE SPEAKERS]

Speaker's impedance

The speaker's impedance is 8 ohms. Make sure that the connected receiver is equipped with 8-ohms output speaker terminals such as AIWA AV-NW50/51 and AV-NW30/31.

Speaker's L/R

Either of the two front and rear speakers can be connected to R (right) or L (left) terminals.

[COMMON]

Using the unit near a TV set

Although the unit is magnetically shielded (except rear speakers), there may be cases in which the picture on some TV sets may become magnetically distorted.

- If the TV picture is distorted, turn off the power of the TV set and turn it on again after 15 to 30 minutes.
- If there seems to be no improvement, move the unit further away from the TV set.
- Furthermore, do not place magnets or objects using them, such as audio racks, toys near the TV set.

These may cause magnetic distortion due to interaction with the unit.

Keep away magnetic items

Keep cassette tapes, personal credit cards etc. using magnetic cording away from the unit. The recorded information may be damaged or some noise may be added.

SPECIFICATIONS

[Sub woofer: SX-AVR30]

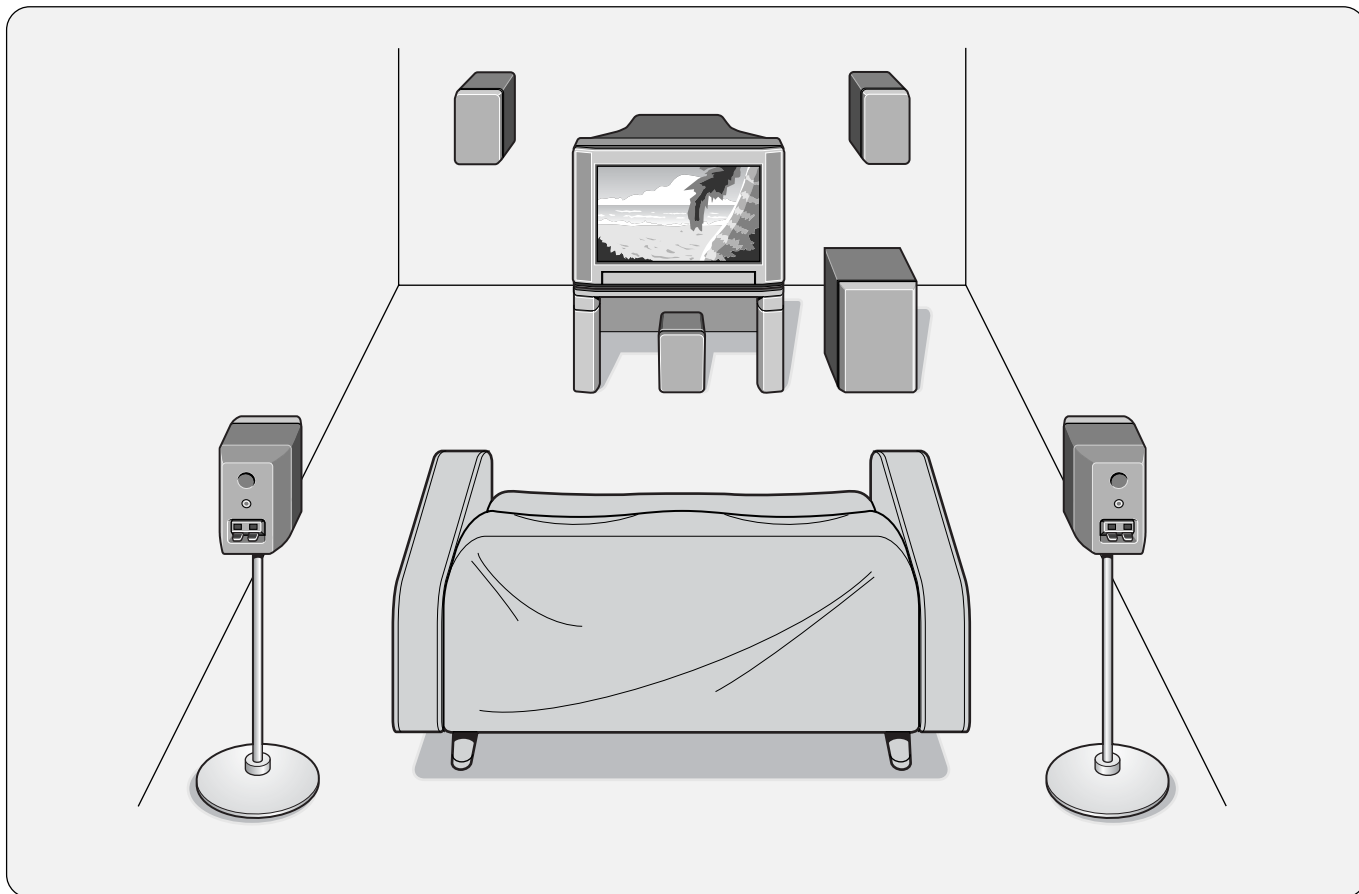
Input terminal:	INPUT jack
Input sensitivity/impedance:	1 V/33 kohms (at 100 Hz)
Power output:	55 W (4 ohms, T.H.D. 1% at 100 Hz) 60 W (4 ohms, T.H.D. 10% at 100 Hz) 117 W (DIN MUSIC POWER)
Frequency response:	20 Hz - 450 Hz
Speaker type:	Bass reflex, magnetically shielded
Speaker unit:	200 mm cone
Power requirement:	AC 230 V, 50 Hz
Power consumption:	55 W
Dimension(W × H × D):	280 × 417 × 395 mm
Weight:	9.5 kg

[Satellite speakers: SX-AVR30F/C/R]

Speaker:	Full-range, 80 mm, bass reflex type, magnetically shielded (except rear)
Impedance:	8 ohms
Maximum input power:	100 W (peak)
Dimension (W × H × D):	98 × 143 × 115 mm
Weight:	0.7 kg
Accessory:	Sub woofer connecting cord (1), Speaker cord, 30 metres of 20 gauge (1)

Specifications and external appearance are subject to change without notice due to product improvement.

POSITIONING



Position the speakers according to the following recommendations to maximize your Home Theater experience. Refer to the operating instructions of the receiver as well.

For best surround sound quality

Sub woofer: Can be placed just about any place in the listening room without being heard as a distinct source, because very low frequencies are non-directional in nature.

A typical location for the sub woofer is somewhere along the front wall, near the TV or one of the front speakers, or any of the room corners with excellent results.

Centre speaker: Should be placed on top of or below the television.

Rear speakers: Can be placed either behind the listening position or to the side depending on your furnishings and the shape of your room. They can be placed on stands or mounted on the rear walls using brackets commercially available.

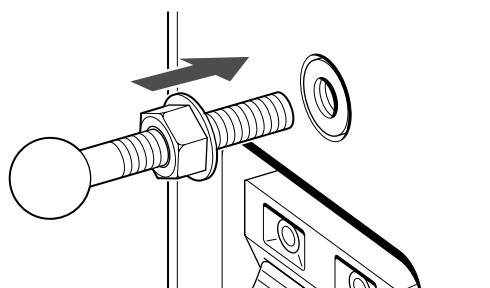
Alternatively they can be mounted on the side walls.

The ideal height for the rear speakers is 60 - 90 cm above the listening position.

Left and right front speakers: Can be placed directly beside or up to 90 - 120 cm on either side of the television.

Using a speaker mounting kit (not supplied)

Each speaker (except sub woofer) is equipped with a "M5" threaded insert on the back. When attaching a part of the mounting kit, such as a ball shaft, insert and rotate it into the threaded female insert.

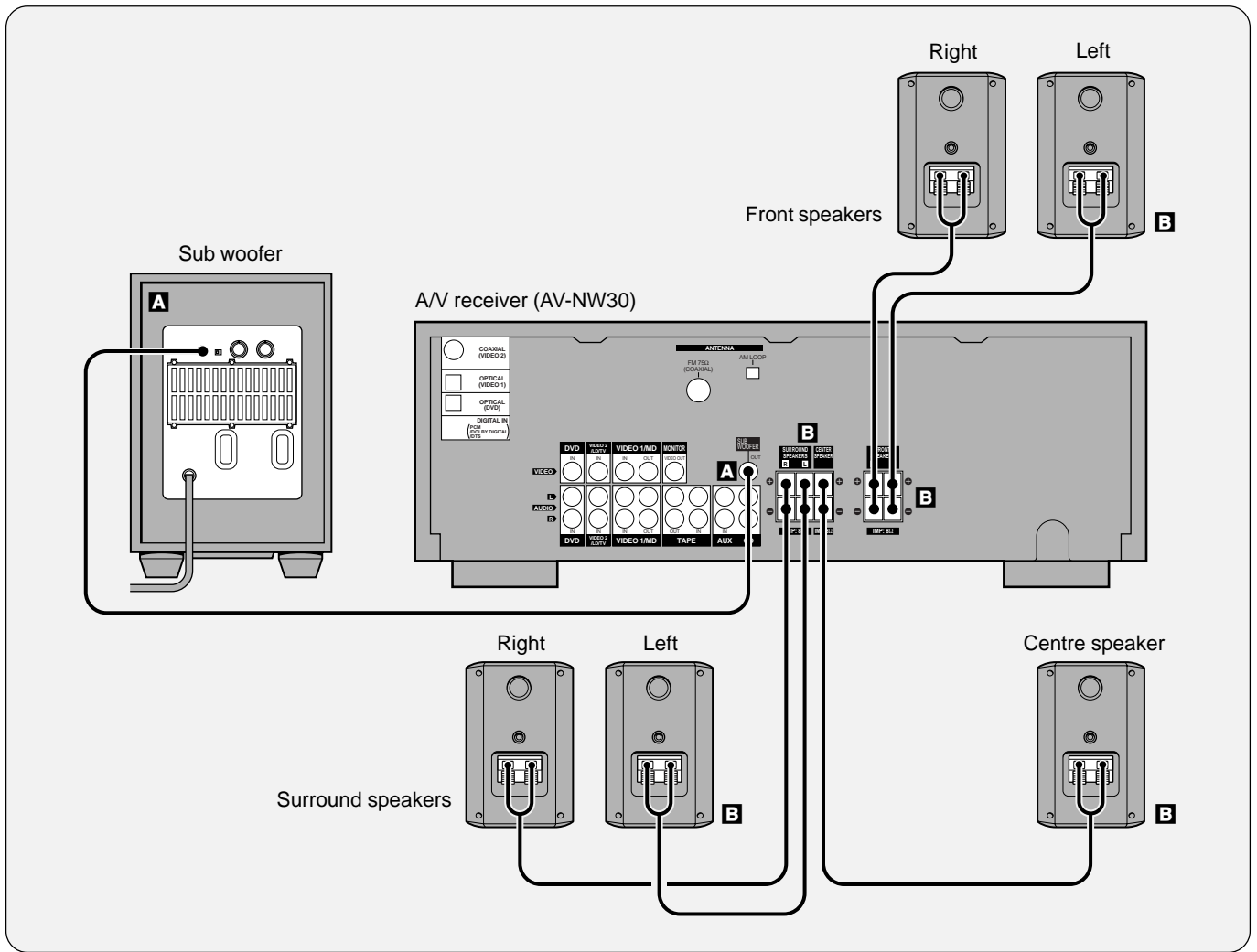


For further information, refer to the instructions of the mounting kit.

AIWA disclaims any responsibility for injury to persons or other accidents caused by not fitting the speakers properly or if the place of the installation is not suitable.

En

CONNECTION



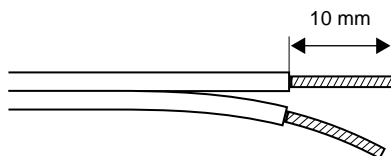
Before connecting the speakers, turn off the power of your stereo receiver and the sub woofer.
Refer to the operating instructions of the receiver as well.

[A] SUB WOOFER

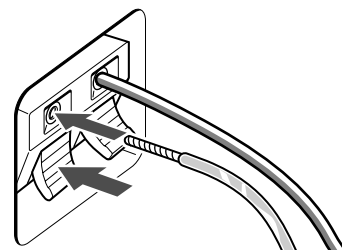
Connect the **INPUT** jack on the sub woofer and the **SUB WOOFER** output jack on the receiver with the supplied connecting cord.

[B] SATELLITE SPEAKERS

Before connecting the speakers, cut the supplied speaker cord to the desired length and strip approximately 10 mm of insulation from each wire.



1 Connect the cords to the speakers.

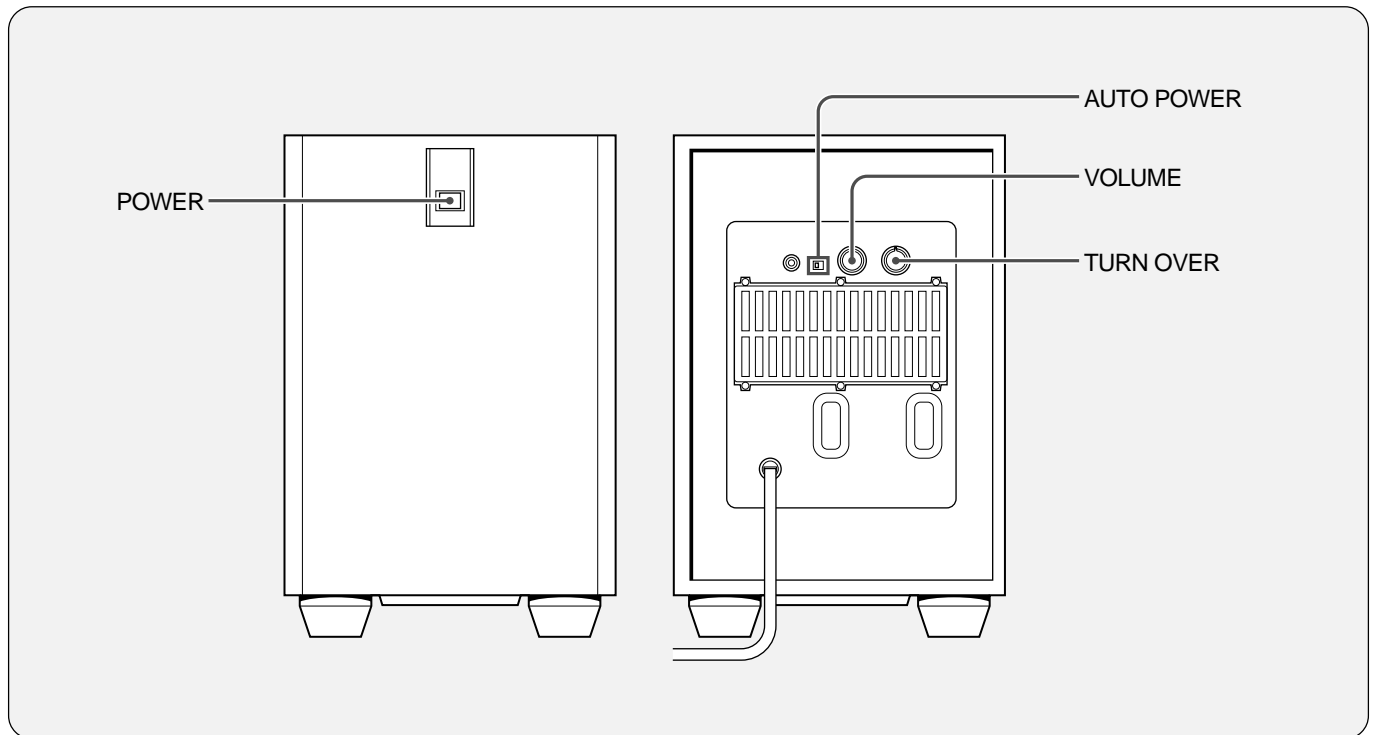


To make sure that the all channels are connected with the same polarity, connect the cords as follows.
Blue striped cords: to the red or blue + terminals
Clear cords: to the - black terminals

2 Connect the other ends of the cords to the speaker terminals on the receiver.

Front speaker cords: to the **FRONT SPEAKERS** terminals
Centre speaker cord: to the **CENTER SPEAKER** terminals
Rear speaker cords: to the **SURROUND SPEAKERS** terminals
Note that the blue stripe cords should be connected to the + (red) speaker terminals on the receiver (and the clear cords to the - (black) terminals).

OPERATING SUB WOOFER



POWER: Turns the power on and off.

VOLUME: Adjusts the volume of the sub woofer.

- The volume level should be balanced with that of all other channels.
- If the sound is distorted, turn VOLUME down on the sub woofer or lower the sub woofer level on the receiver.
- To avoid overloading the sub woofer, do not set the volume of the receiver so high that the sound becomes distorted.

AUTO POWER: Switches AUTO POWER function on and off.

When the function is set to ON:

- The power is automatically turned off and the unit enters the standby mode when receiving no signals for about 12 minutes.
- The power is automatically turned on when receiving the signal input again.

If the level of the signal input is low, the sound may be cut or the unit may not turn on again by this function.

TURN OVER: Adjusts the output sound range between "300 Hz and under" and "40 Hz and under".

Turning it clockwise changes the output sound range wider and reproduces comparatively high frequency sound as well. Adjust it to suit your preference and a playback source.

NOTE

After using, press POWER to turn off the power.

If the sub woofer will not be used for a long time, unplug the AC cord from the outlet.

En

Free Manuals Download Website

<http://myh66.com>

<http://usermanuals.us>

<http://www.somanuals.com>

<http://www.4manuals.cc>

<http://www.manual-lib.com>

<http://www.404manual.com>

<http://www.luxmanual.com>

<http://aubethermostatmanual.com>

Golf course search by state

<http://golfingnear.com>

Email search by domain

<http://emailbydomain.com>

Auto manuals search

<http://auto.somanuals.com>

TV manuals search

<http://tv.somanuals.com>