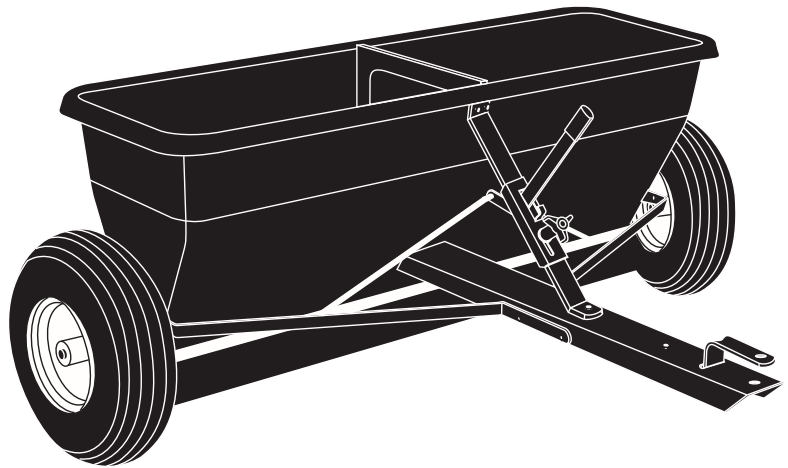




## OWNERS MANUAL

**Model No.  
45-02882**



## 175 LB. POLY PRO DROP SPREADER

**CAUTION:**  
Read Rules for  
Safe Operation  
and Instructions  
Carefully

- Safety
- Assembly
- Operation
- Maintenance
- Parts

**SpeedEPart** *the fastest way to purchase parts* [www.speedepart.com](http://www.speedepart.com)

# RULES FOR SAFE OPERATIONS

Any power equipment can cause injury if operated improperly or if the user does not understand how to operate the equipment. Exercise caution at all times, when using power equipment.

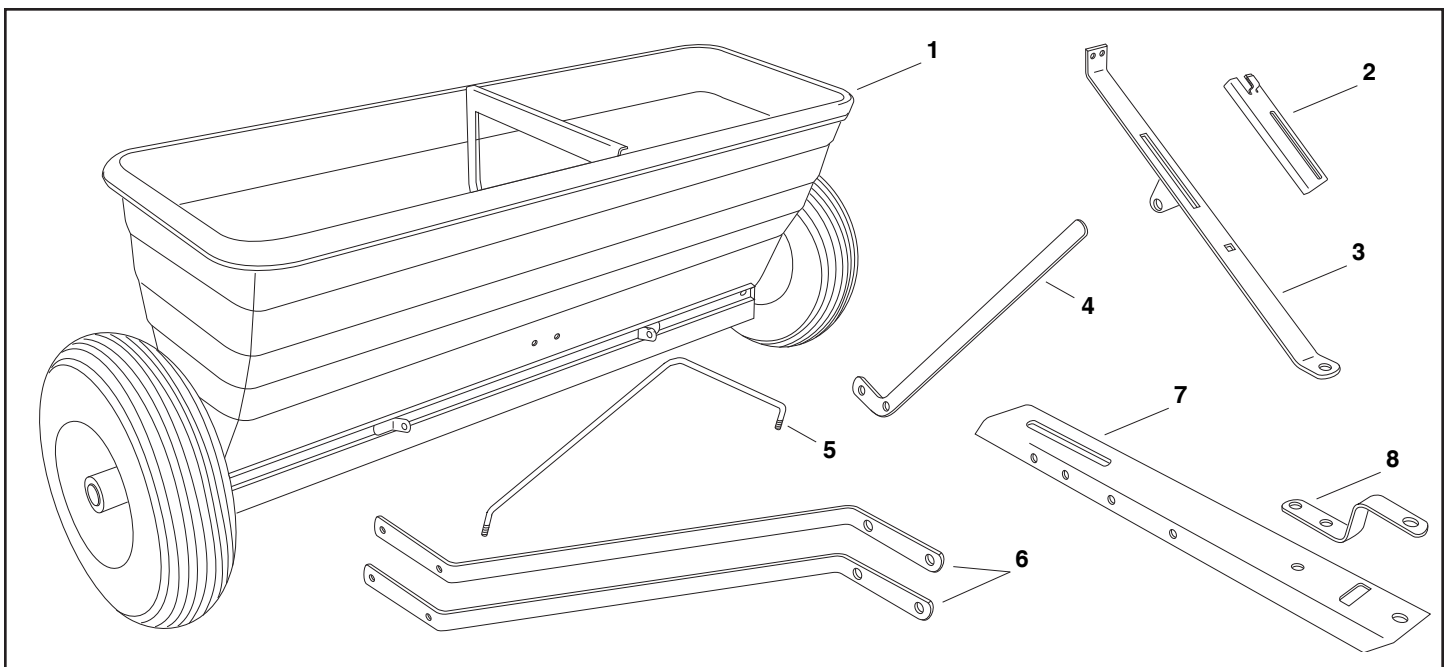
- Read this owner's manual before attempting to assemble or operate the spreader.
- Read the towing vehicle owner's manual and know how to operate the tractor before using the spreader attachment.
- Do not allow anyone to ride on or sit on spreader.
- Never allow children to operate the tractor or spreader attachment.
- Do not allow adults to operate the tractor or spreader without proper instructions.
- Read the chemical label for instructions and cautions for handling and applying chemicals.
- Wear eye and hand protection when handling and using lawn chemicals.
- Always begin with the transmission in first (low) gear and gradually increase speed as conditions permit. Maximum towing speed - 6 M.P.H.
- Do not drive too close to a creek or ditch and be alert for holes and other hazards which could cause you to lose control of the tractor and spreader.
- Before operating the vehicle on any grade (hill) refer to the safety rules in the vehicle owner's manual concerning safe operation on slopes. **Stay off steep slopes!**
- Follow maintenance and lubrication instructions as outlined in this manual.



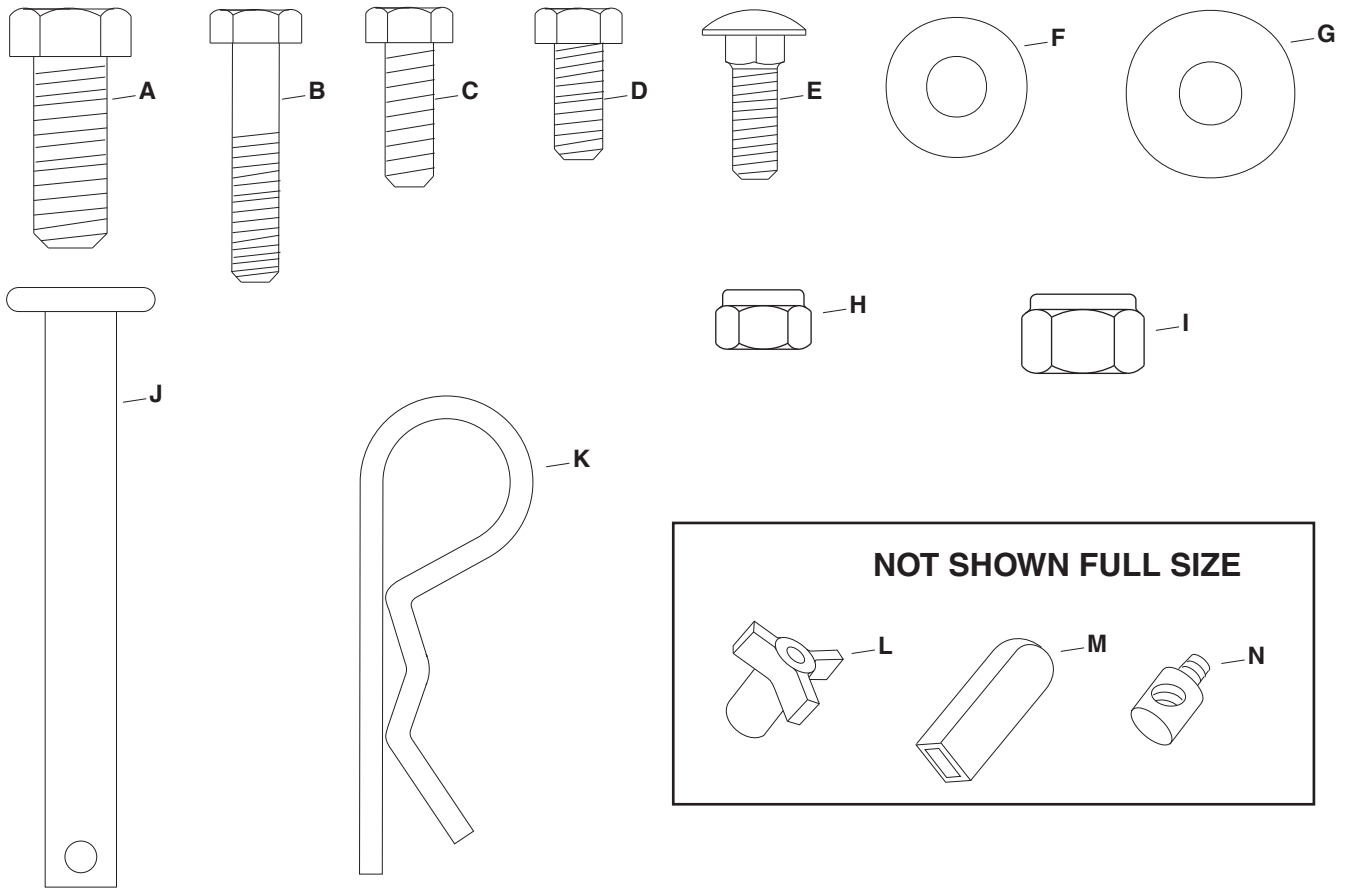
Look for this symbol to point out important safety precautions. It means – **Attention!! Become alert!!** Your safety is involved.

## CARTON CONTENTS

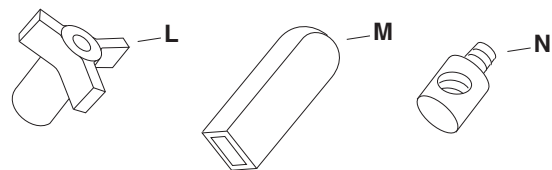
- |                       |                      |
|-----------------------|----------------------|
| 1. Hopper Assembly    | 5. Flow Control Rod  |
| 2. Flow Control Gauge | 6. Tongue Braces (2) |
| 3. Hopper Brace       | 7. Tongue            |
| 4. Flow Control Arm   | 8. Hitch Bracket     |



**SHOWN FULL SIZE**



**NOT SHOWN FULL SIZE**



**HARDWARE CHART**

REF.	QTY.	DESCRIPTION	REF.	QTY.	DESCRIPTION
A	1	Hex Bolt, 3/8" x 1"	H	16	Nylock Nut, 1/4"
B	1	Hex Bolt, 1/4" x 1-1/4"	I	1	Nylock Nut, 3/8"
C	2	Hex Bolt, 1/4" x 3/4"	J	1	Hitch Pin
D	10	Hex Bolt, 1/4" x 5/8"	K	1	Hair Cotter Pin, 1/8"
E	1	Carriage Bolt, 1/4" x 3/4"	L	1	Plastic Knob
F	4	Flat Washer, 1/4"	M	1	Plastic Grip
G	3	Nylon Washer	N	2	Ferrule

# ASSEMBLY

## TOOLS REQUIRED FOR ASSEMBLY

- (2) 7/16" Wrenches
- (2) 9/16" Wrenches

1. Remove the hardware pack and all individual parts from the carton and lay out as shown on page 2 and 3.
2. Assemble the tongue to the hopper as shown in figure 1 using two 1/4" x 5/8" hex bolts and 1/4" nylock nuts. **Do not tighten yet.**

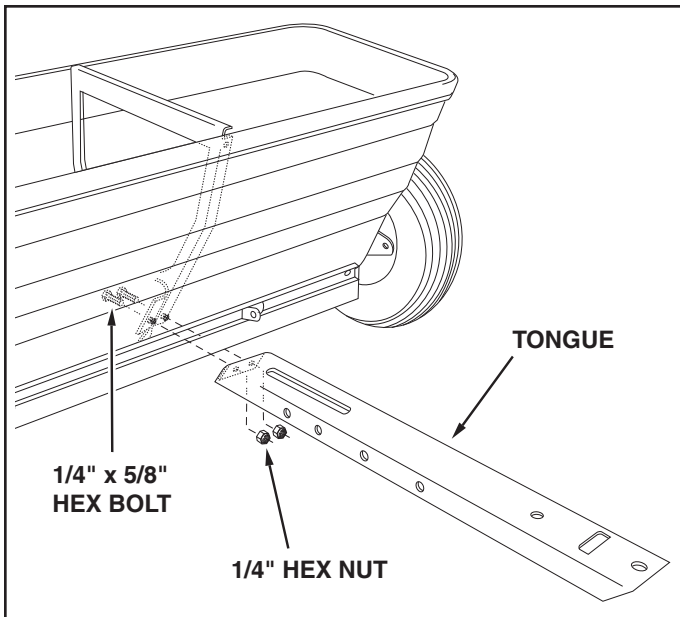


FIGURE 1

3. Assemble the plastic grip onto the end of the flow control arm as shown in figure 2.
4. Insert the flow control arm through the slot in the hopper brace. Place a nylon washer on each side of the arm and attach it to the brace's welded bracket using a 1/4" x 1-1/4" hex bolt, a 1/4" flat washer and two 1/4" nylock nuts as shown in figure 2. **Tighten** the first nylock nut until there is noticeable resistance when moving the flow control arm, then **tighten** the second nylock nut.
5. Place the flow control rod through the hole at the end of the flow control arm. Assemble the two ferrules onto the threaded ends of the rod so that approximately 10 threads (1/2") of the rod extends through the ferrules. See figure 2.

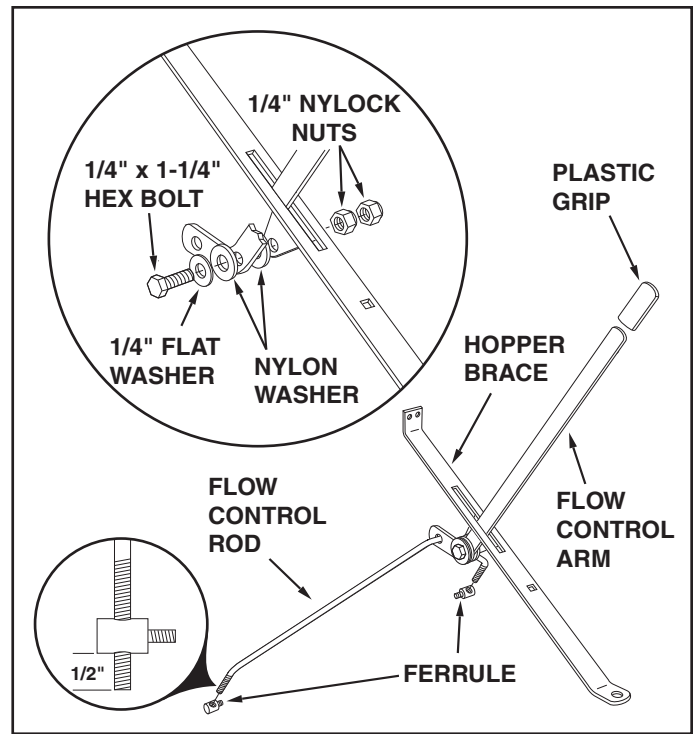


FIGURE 2

6. Attach the hopper brace to the hopper using two 1/4" x 5/8" hex bolts, one 1/4" flat washer and two 1/4" nylock nuts. **Do not tighten yet.** See figure 3.
7. Place the end of the hitch bracket (two holes) down through the slot in the tongue. Attach the hopper brace to the top of the tongue and the hitch bracket to the bottom using one 3/8" x 1" hex bolt and 3/8" nylock nut. **Tighten all bolts** assembled so far. See figure 3.

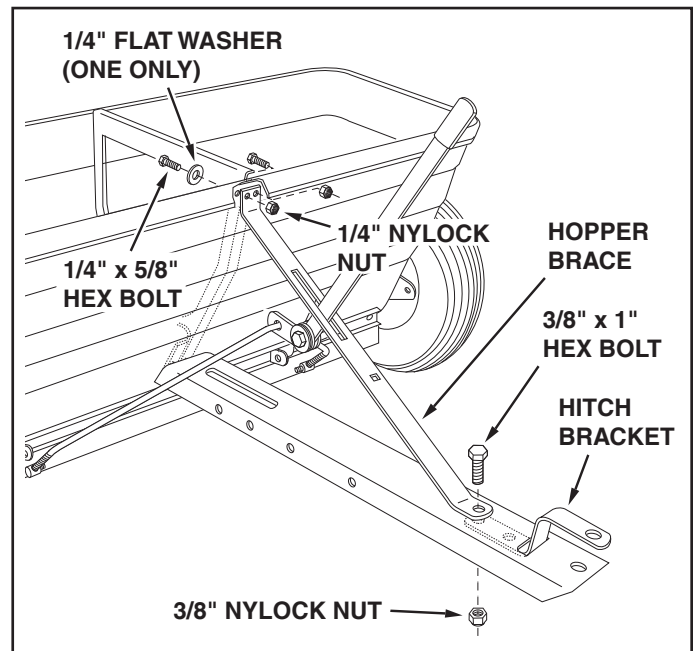
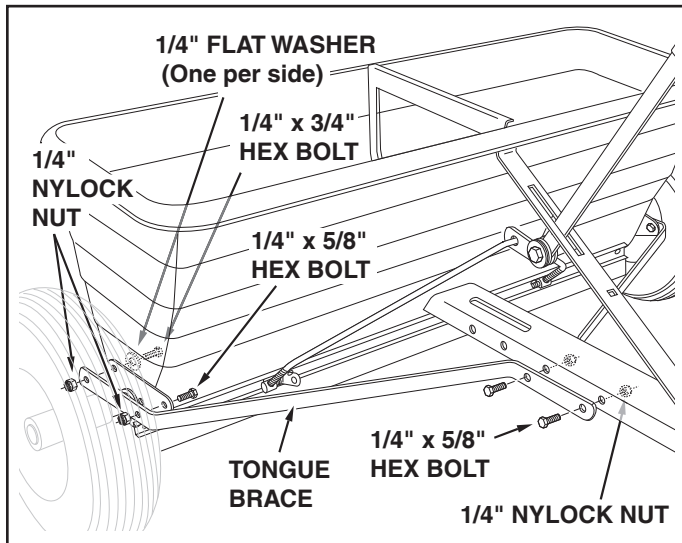


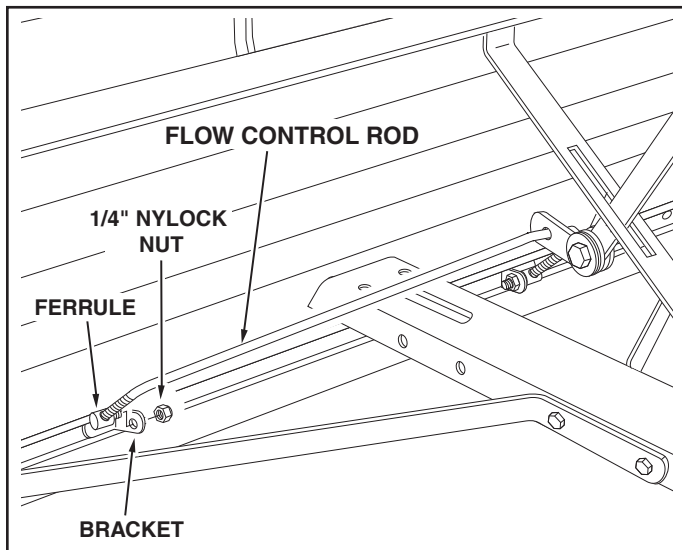
FIGURE 3

8. Assemble one end of a tongue brace to the side of the tongue using two 1/4" x 5/8" hex bolts and 1/4" nylock nuts. **Do not tighten yet.** See figure 4.
9. Assemble the other end of the tongue brace to the triangular plate on the end of the spreader. Use a 1/4" x 5/8" hex bolt and 1/4" nylock nut in the front hole of the plate. Use a 1/4" x 3/4" hex bolt, 1/4" flat washer and 1/4" nylock nut in the rear hole, with the bolt and washer assembled on the inside of the hopper as shown in figure 4. **Do not tighten yet.**
10. Repeat steps 8 and 9 to attach the second tongue brace to the other end of the spreader and then **tighten** all loose bolts.



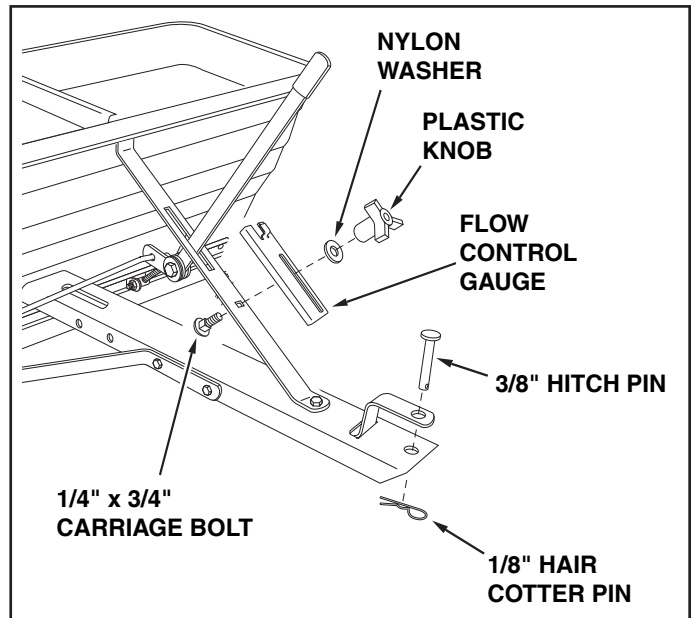
**FIGURE 4**

11. Make sure that both ferrules are adjusted so that approximately ten threads (1/2") of the control rod is exposed. Insert both ferrules into the brackets which are riveted to the front of the flow plates. Assemble a 1/4" nylock nut onto each ferrule, making only **finger tight** at this time. See figure 5.



**FIGURE 5**

12. Assemble the flow control gauge to the hopper brace using the 1/4" x 3/4" carriage bolt, a nylon washer and the plastic knob. See figure 6.
13. Install the hitch pin and the 1/8" hair cotter pin in the spreader hitch bracket and tongue. See figure 6.



**FIGURE 6**

14. To check for correct opening of hopper flow plates:
  - a. Set the flow control gauge at the highest setting.
  - b. Move the flow control arm away from the hopper until it rests against the gauge. The slots in the bottom of the hopper should now be completely open. The edge of the flow plates should be just clear of the ends all the slots.
  - c. If the flow plates are not straight with the slots, screw one ferrule up or down on one side of the control rod.
  - d. If the flow plates open to far or not far enough, screw both ferrules equally up or down on the control rod.
  - d. Move the flow control arm toward the hopper to the off position. Verify that the slots in the bottom of the hopper are completely covered by the flow plates.
  - e. **Tighten** the lock nuts and then loosen 1/4 turn.
15. To check for proper tension on the hopper flow plates:
  - a. Set the flow control gauge at a mid range setting.
  - b. Move the flow control arm against the gauge.
  - c. Press firmly against the front of the flow plates at the bottom of the hopper. The flow control arm should not move.
  - d. If the arm moves, tighten the hex lock nuts on the flow control arm until movement is prevented.

# OPERATION

## HOW TO USE YOUR SPREADER

1. Refer to the instruction label on the material package and to the instruction decal on your spreader to help determine the proper spreader setting and application rate. Also see the Setting Chart on this page for a general range of settings for commonly used materials.
2. Loosen the knob and adjust the flow control gauge to the recommended setting. Retighten the knob. See figure 7.
3. Determine the approximate square footage of the area to be covered and estimate the amount of fertilizer or seed required.
4. Move the spreader to the area where application is to begin.
5. Making sure the flow control arm is in the "OFF" position, fill the hopper, breaking up any lumps.
6. Start the spreader in motion and then pull the flow control arm forward to the "ON" position as you travel across your lawn. The recommended towing speed is 3 m.p.h.

**IMPORTANT:** Always place flow control arm in the "OFF" position to prevent excess fertilizer from being released when filling the spreader and when stopping or turning.

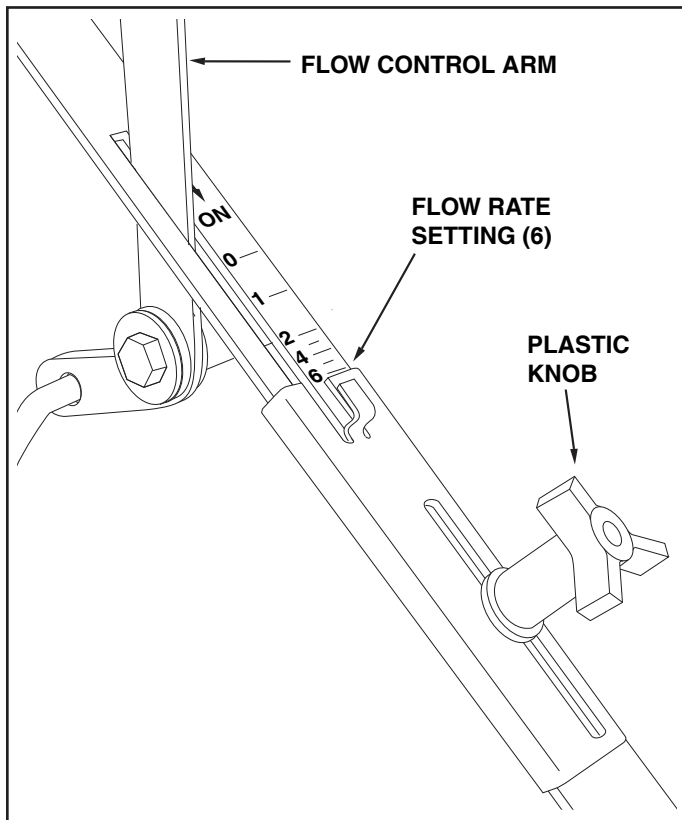


FIGURE 7

# SETTING CHART

FLOW RATE SETTING	MATERIAL TYPE	AT 3 M.P.H.
Fertilizer	Granular / Pelleted	0-1 / 0-2
Grass Seed	Fine / Coarse	5-6 / 7-8

3 M.P.H. is equivalent to traveling 100 feet in 23 seconds.

## APPLICATION TIPS

1. To help prevent clogging when using **granular** material, avoid towing the spreader with the flow plate closed. A closed flow plate could cause the rotating agitator to work the material into powder, compacting it at the bottom of the hopper.
2. Reduce the flow setting for speeds slower than 3 M.P.H. and increase the setting for higher speeds.
3. To avoid misses or striping, overlap the previous wheel tracks by approximately 4" - 5". The spread width of the spreader is approximately 40".
4. For easiest application, first apply material across both ends of the area. Two or three passes on each end are sufficient. Then apply material back and forth as shown. Use the end areas for turning around, shutting off the spreader as you enter the end areas and turning the spreader on again as your leave the end areas for your next pass. See figure 8.
5. If lawn is odd shaped, spread a border around the edges and then spread between the border.

**NOTE:** Be careful when using the spreader around ornamental plants because weed control chemicals can damage these plants.

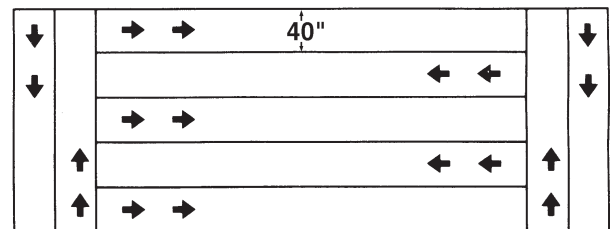


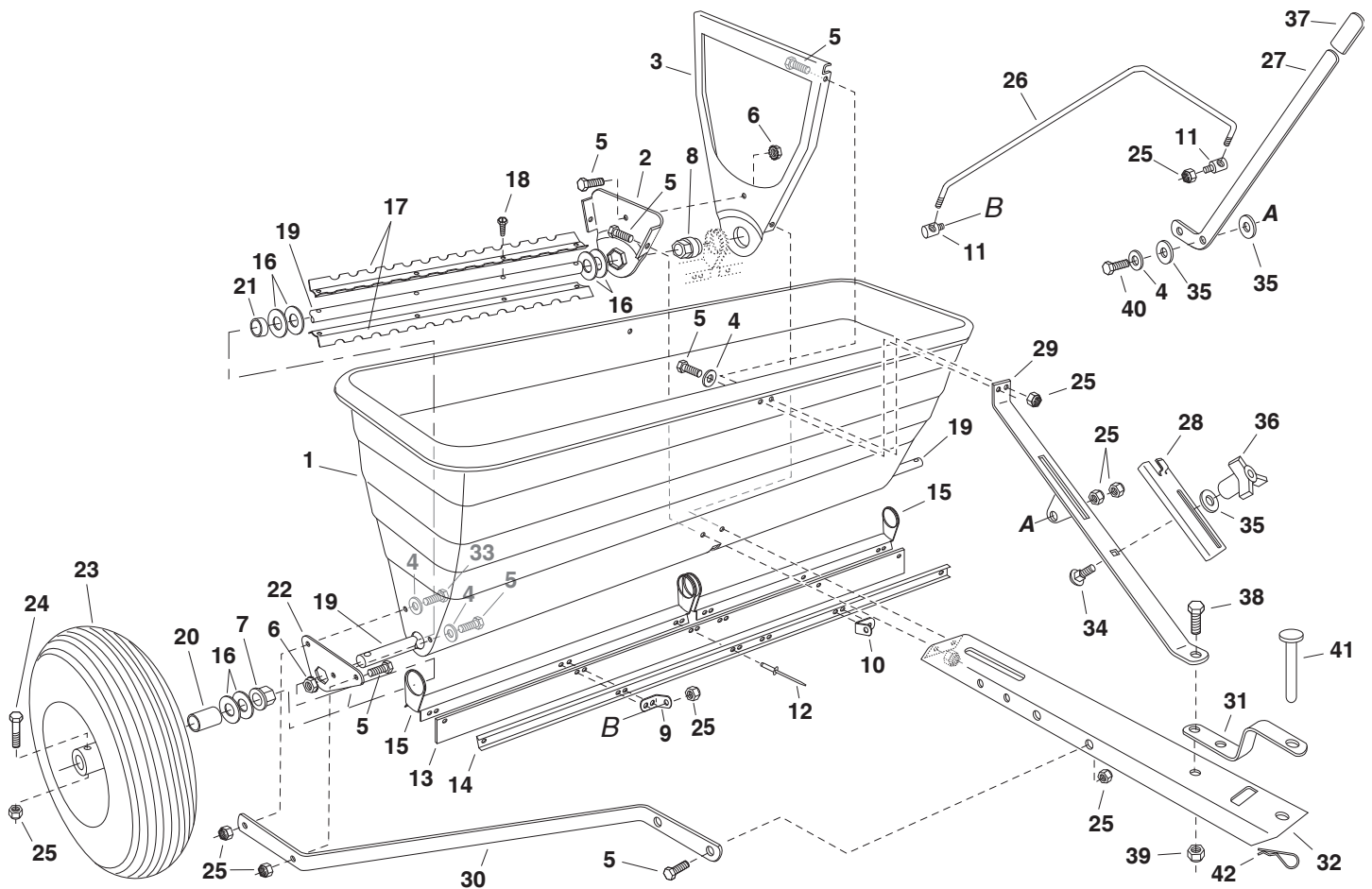
FIGURE 8

# MAINTENANCE

1. Always empty spreader after each use, storing leftover material in it's original bag.
2. Wash the spreader and dry thoroughly after each use.
3. Apply a few drops of oil to all moving parts.
4. Check all nuts and bolts for tightness before each use.
5. Keep tires inflated to 12 - 14 lbs.



# REPAIR PARTS FOR 175 LB. DROP SPREADER MODEL 45-02882



REF. NO.	PART NO.	QTY.	DESCRIPTION	REF. NO.	PART NO.	QTY.	DESCRIPTION
1	47451	1	Hopper	23	40939	2	Wheel
2	24536	1	Hopper Center Plate (Small)	24	1509-69	2	Bolt, Hex 1/4-20 x 1-3/4" Lg.
3	24535	1	Hopper Center Plate (Large)	25	47189	18	Nylock Nut, 1/4-20 Thd.
4	43088	9	Washer, 1/4"	26	47712	1	Rod, Flow Control
5	43866	16	Bolt, Hex 1/4-20 x 5/8"	27	24660	1	Arm, Flow Control
6	46978	6	Nut, Hex (SIMS) 1/4-20 Thd.	28	24542	1	Gauge, Flow Control
7	47615	2	Bearing, Flange	29	63850	1	Brace Assembly, Hopper
8	47484	1	Bearing, Hex Flange	30	24532	2	Brace, Tongue
9	24538	1	Bracket, Feed Plate (RH)	31	23014	1	Hitch Bracket
10	24539	1	Bracket, Feed Plate (LH)	32	24531	1	Tongue
11	47711	2	Ferrule	33	43012	2	Bolt, Hex 1/4-20 x 3/4"
12	728-3001	10	Pop Rivet	34	44950	1	Bolt, Carriage 1/4-20 x 3/4" Lg.
13	47459	1	Skirt, 48"	35	1543-69	3	Washer, Nylon
14	47508	1	Retainer, Skirt	36	43849	1	Knob, Plastic 1/4-20 Thd.
15	24537	2	Flow Plate	37	43848	1	Grip, Plastic
16	43009	12	Washer	38	43001	1	Bolt, Hex 3/8-16 x 1" Lg.
17	47259	4	Agitator Blade	39	HA21362	1	Nut, Hex Lock 3/8-16 Thd.
18	47476	16	Screw, #8-32 x 3/8" Lg.	40	1509-90	1	Bolt, Hex 1/4-20 x 1-1/4" Lg.
19	24540	2	Axle	41	47623	1	Hitch Pin, 3/8"
20	48665	2	Spacer, Tube 1" OD x 1.65" Lg.	42	43343	1	Hair Cotter Pin, 1/8"
21	47458	2	Spacer, 1.25" OD x .330" Lg.		40944	1	Owners Manual
22	24534	2	Plate, Bearing				

***SpeedPart*** *the fastest way to purchase parts* [www.speedepart.com](http://www.speedepart.com)

**REPAIR PARTS**  
809 South Hamilton  
Sullivan, IL. 61951  
217-728-8388  
[www.agri-fab.com](http://www.agri-fab.com)



## Free Manuals Download Website

<http://myh66.com>

<http://usermanuals.us>

<http://www.somanuals.com>

<http://www.4manuals.cc>

<http://www.manual-lib.com>

<http://www.404manual.com>

<http://www.luxmanual.com>

<http://aubethermostatmanual.com>

Golf course search by state

<http://golfingnear.com>

Email search by domain

<http://emailbydomain.com>

Auto manuals search

<http://auto.somanuals.com>

TV manuals search

<http://tv.somanuals.com>