



cook better. eat better. taste better. live better.

Aga 30AIM 115V

Installation
Operation &
Maintenance
Instructions

Starting Out

Remove Packaging

Your ice machine has been packed for shipment with all parts that could be damaged by movement securely fastened. Before installing the ice machine, be sure all packing materials and tape have been removed.

Important

Save the carton packaging until your ice machine has been thoroughly inspected and found to be in good condition. If there is damage, the packaging will be needed as proof of damage sustained in transit.

Installation

Select Location	3
Cabinet Clearance	3
Electrical Connection	3
Grounding Method	3
Drain Plumbing	4
Water Supply	5

Caring for Your Ice Machine

Operation	6
Care of the Unit	6
Help Prevent Tragedies	6
Cleaning Your Ice Machine	7
Things to Remember	8

Obtaining Service

Before Calling for Service	9
How to Obtain Service	9
For Your Records	9

Troubleshooting

Troubleshooting One	10
Troubleshooting Two	11
Troubleshooting Three	12
Troubleshooting Four	13

Warranty Information

Warranty	14
----------------	----

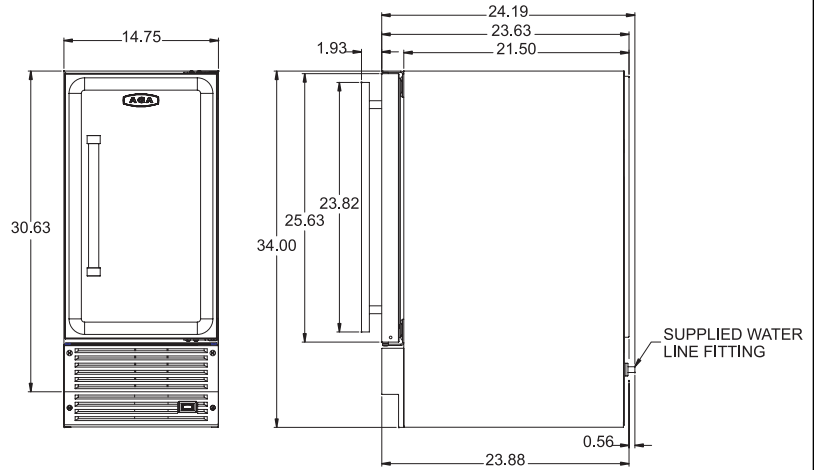
Installation

Select Location

The proper location will ensure peak performance of your ice machine. Choose a location away from heat and out of direct sunlight. Best performance will be maintained when installed within the following parameters:

Ideal Ambient Temperature Range*	
built-in	55-80°F
freestanding	55-90°F

* Ice Machine will not perform correctly in ambient temperatures less than 55°F.



Cabinet Clearance

Ventilation is required for the bottom front section of the unit where the grille is located. Keep this area open and clear of any obstructions.

Adjacent cabinets and countertop can be built around the unit as long as no top trim or countertop is installed lower than the top of the hinge. Make certain that the glides supplied with the ice machine are installed according to instructions. Make certain your ice machine is level.

Leveling adjustments can be made by raising or lowering the glides on the bottom of the unit.

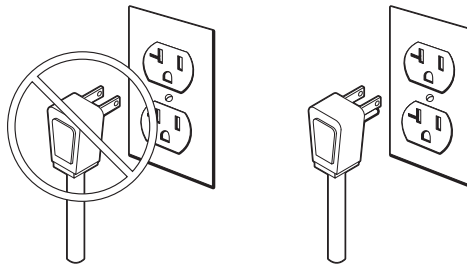
Electrical Connection

Check the serial nameplate for the correct power supply. Use only the electrical power supply specified on the serial nameplate. Do not use an extension cord.

Grounding Method

This ice machine is equipped with a power supply cord with ground. It must be plugged into a mating grounding type receptacle in accordance with the National Electrical Code and applicable local codes and ordinances.

WARNING
DISCONNECT POWER SOURCE BEFORE ADJUSTING LEVELING LEGS



WARNING
THIS UNIT SHOULD NOT, UNDER ANY CIRCUMSTANCES, BE UNGROUNDED.

Installation: Drain Plumbing

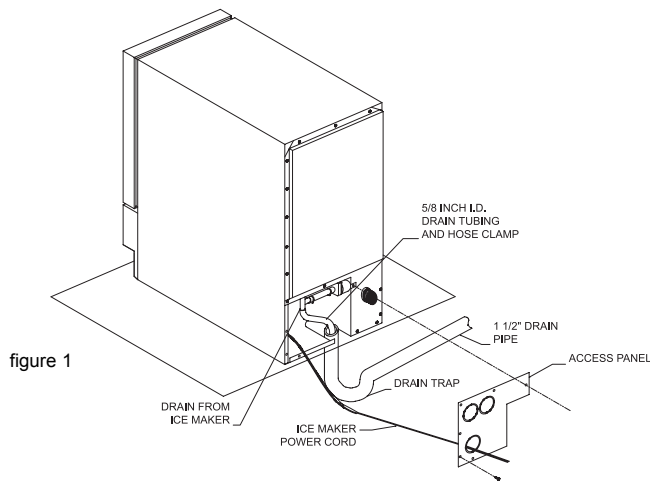


figure 1

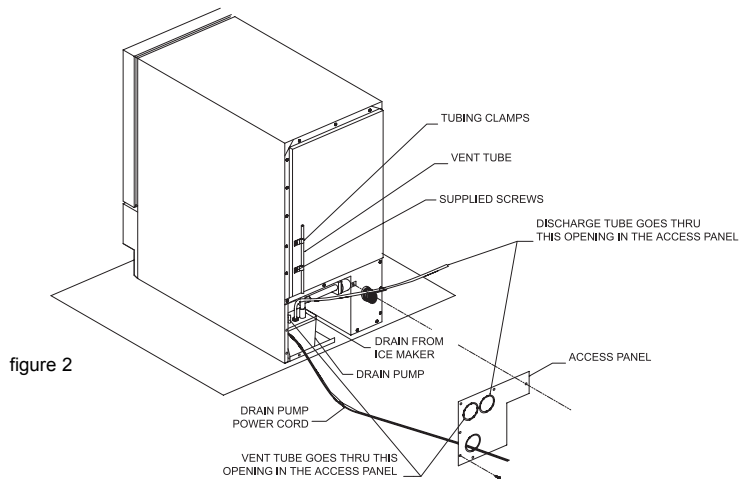


figure 2

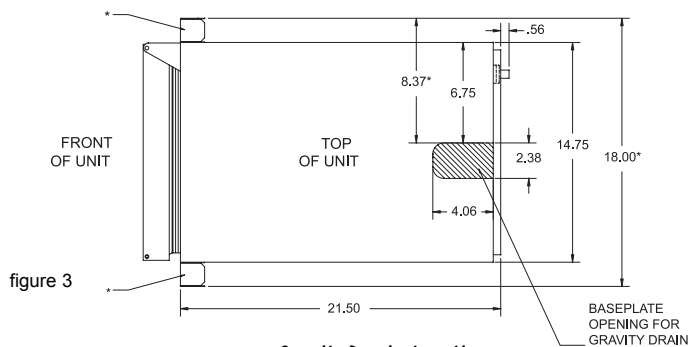


figure 3

Gravity Drain Location

* With optional filler kit

Drain Plumbing

Your ice machine uses a gravity drain, (figure 1) that requires 5/8" I.D. tubing from the back of the ice machine to a plumbed connection to a sanitary sewer. Remove the access panel to plumb in drain connection. Gravity drain location for built-in units can be within the area shown in figure 3. An optional drain pump, (figure 2) can be purchased for your ice machine if a gravity drain is not accessible.

OBSERVE AND FOLLOW ALL LOCAL CODES WHEN INSTALLING ICE MACHINE.

! WARNING

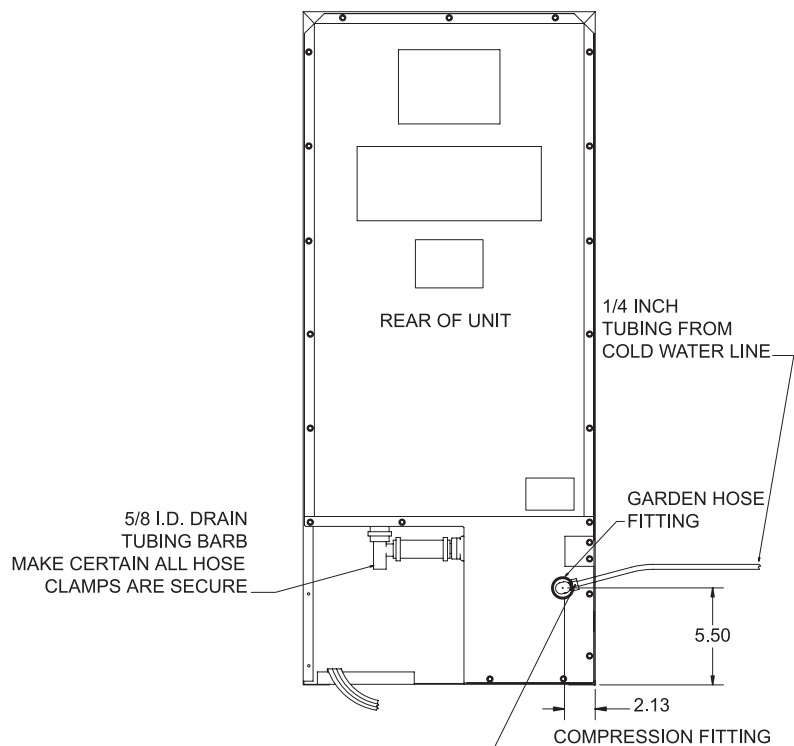
FAILURE TO USE ADEQUATE DRAINAGE SYSTEM WILL RESULT IN SURROUNDING WATER DAMAGE AND/OR POOR ICE PRODUCTION.

Water Supply

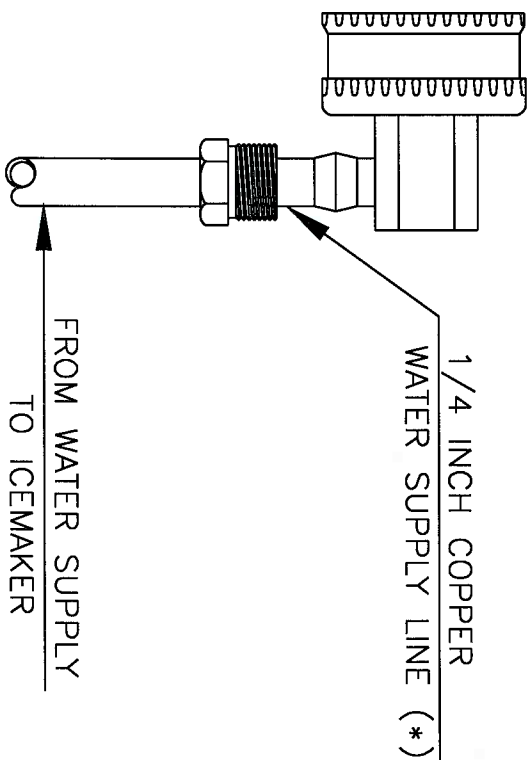
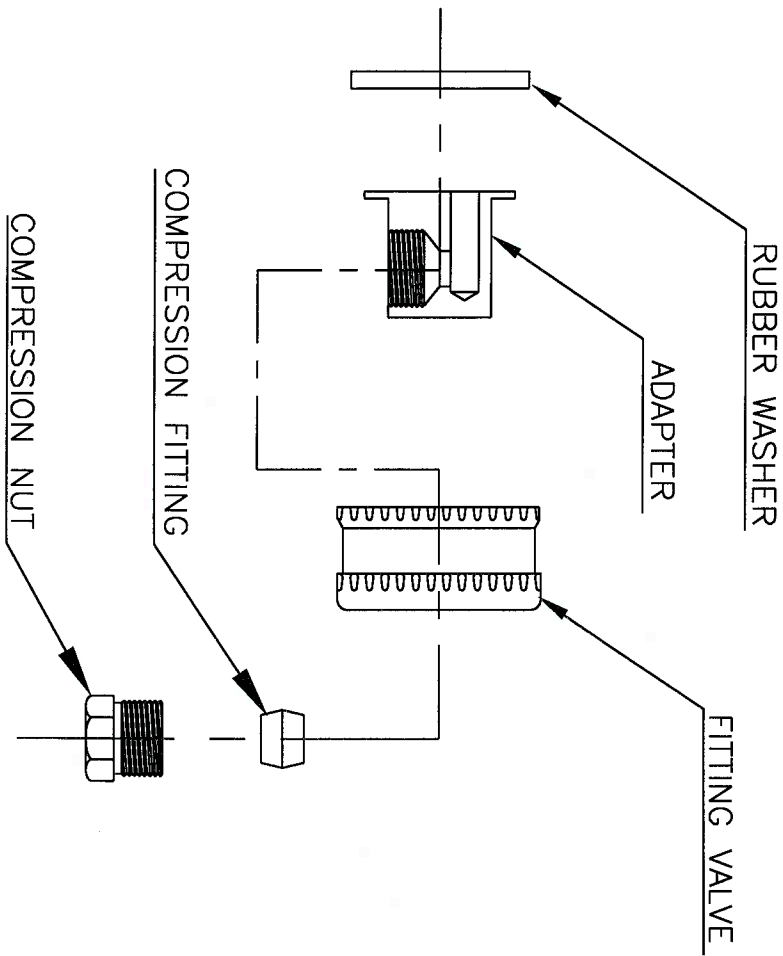
Water Supply

This ice machine must be connected to a potable, active cold water supply line delivering water pressure at a minimum of 20 psi and maximum of 120 psi.

- Water connection is made through a right angle garden hose fitting. See garden hose fitting for detailed instruction sheet.
- A water filter is recommended for this unit. A quality filter can remove particles as well as remove taste and odors from water. Do not use any thread sealers.
- Softened water is not recommended. This will produce mushy, cloudy ice cubes that will stick together.
- De-ionized water is not recommended. This water will not form solid ice cubes.
- A water specialist can recommend proper water treatment.
- After installation of water line, turn on water and check for any leaks. Additional tightening may be needed.
- Allow for extra water line for built-in installations for easy removal of unit and to help prevent the water line from kinking.



NOTICE:
THE WATER LINE FITTING SUPPLIED WITH YOUR ICE-
MAKER IS TO BE USED ON A 1/4 INCH COPPER
WATER SUPPLY LINE ONLY. DO NOT ATTACH A PLASTIC
SUPPLY LINE TO YOUR UNIT USING THIS FITTING.



(*) SUPPLIED BY CUSTOMER

Caring for Your Ice Machine

Operation

Your ice machine is unique in forming ice. It uses fractional freezing to form a slab of ice that is clear and has less mineral content than the water it is produced from. This is accomplished by running water over the cold evaporator plate which gradually freezes the water to produce the ice slab. Mineral deposits are left in the reservoir.

When the ice slab reaches the correct thickness determined by the temperature of the evaporator plate, the electronic control switches to the harvest cycle to harvest the ice. During the harvest cycle, the ice slab falls from the evaporator to the ice grid cutter. Here, the ice slab is cut into 3/4" squares by the grid cutter's heated wires. During the harvest cycle, the drain valve will remain open for 45 seconds to drain the reservoir of remaining deposits. After that, the water valve will open for 2 minutes providing 2 quarts of water to the reservoir for the next ice production cycle.

The ice machine will keep producing ice until the ice machine's bin is full and will restart automatically when ice needs to be replenished in the bin.

Care of Unit

1. Avoid leaning on the cabinet door. You may bend the door hinge or tip the unit.
2. Exercise caution when sweeping, vacuuming, or mopping near the front of the unit. Damage to the grille and/or switch can occur.
3. Periodic cleaning of the inside of the ice machine components and inside of unit (see Cleaning Your Ice Machine section).
4. Periodic checking and/or cleaning of the front grille and condenser coils as needed.

Normal Responsibilities of the Owner

- All freight charges
- Damage sustained in transit
- Mileage charge(s) for service calls
- Proper installation including installation of leveling legs.
- Leveling of unit.
- Alterations to original equipment
- Removal or installation of additional equipment (i.e. drain pump).
- Cleaning and normal maintenance outlined in this manual.
- Drain and water supply plumbing to the ice machine.

Help Prevent Tragedies

Each year, children die because they climb inside a discarded refrigeration product, get trapped inside and suffocate. Take precautions to prevent such tragedies by removing the door, taping or chaining it shut before discarding.

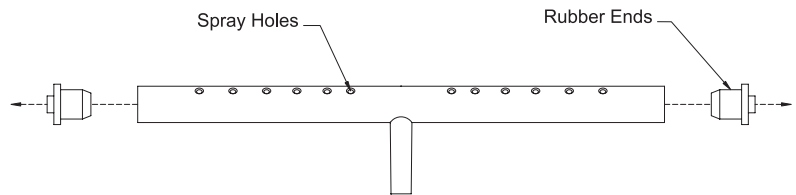
Caring for Your Ice Machine

Cleaning Your Ice Machine

Some impurities will remain and build-up in the ice machine and stick to the ice machine's parts over time. This build-up must be removed for proper ice production, ice quality, and ice machine life. Your ice machine is equipped with a cleaning mode that will help in cleaning out these impurities.

The impurities will regularly (at the very least, annually) need to be cleaned of this build-up, depending on use and water hardness. You can use an acid such as one specified for ice machine cleaning or you can use citric acid to remove the build-up. To clean the ice machine:

1. Switch the selector switch to the "OFF" position.
2. Remove the drain plug at the bottom of the reservoir to drain any remaining water and then reinstall.
3. Add the recommend cleaner solution to the reservoir of the ice machine. Access to the reservoir can be obtained by removing the front panel screws and the front panel. Determine to proper amount of cleaner from the ice machine cleaner manufacturer's mixture ratio based on 3 quarts of water (refer to manufacturer's directions).
4. Replace the front cover panel and close the door.
5. Switch the selector switch on the grille of the ice machine the clean position. Three quarts of water will automatically be added to the cleaning solution.
6. The total cleaning time will end in 49 minutes. The cleaning cycle will automatically rinse the evaporator plate and also drain the cleaning solution and rinse water.
7. After the cleaning cycle has ended, remove the front panel again and check that the build up has been removed. The evaporator plate should be clean, shiny, and smooth to the touch. If build up is still visible, repeat the cleaning cycle above. If build up is removed, continue below.
8. Remove the distributor tube, hose clamp, hose and its rubber ends.
9. Thoroughly clean the inside of the distributor tube and the spray holes. You can use the same cleaning solution as before and an old toothbrush to reach the inside of the distributor tube.
10. Reinstall the rubber ends, hose, and hose clamp to the distributor and then reinstall the distributor tube to the evaporator with the spray holes pointed to the bottom of the evaporator plate. Reinstall the front cover panel with the two front panel screws.
11. Clean the ice machine's interior, ice scoop, interior door panel and door gasket with mild soap and



water. Using two tablespoons of baking soda in one quart of warm water while cleaning will help remove odors. Rinse with fresh water. Do not use any abrasive cleaning products.

Your ice machine is now clean and sanitized and may be put back into operation by switching the selector witch to the "ON" position.



WARNING

Read manufacturer's warnings on ice machine cleaner products. Personal injury can result.

Things to Remember

Things to Remember

- Allow your ice machine to run for 24-48 hours to accumulate ice in ice machine's bin.
- Unit will cycle often between ice production and ice harvest cycles.
- Your unit will automatically shut down when the ice bin is full.
- Unplug your ice machine before working on unit.
- Keep your ice machine clean for proper ice quality, production, and unit life.
- Room and water temperatures will greatly affect the output of ice in your unit (see table). Ice will also melt away, especially at the start of an empty bin, but will slow down as ice accumulates.

PRODUCTION RATE (LB/DAY)*

WATER TEMPERATURE °F

ROOM TEMPERATURE °F

	50	70
70	34	32
80	30	27
90	23	20

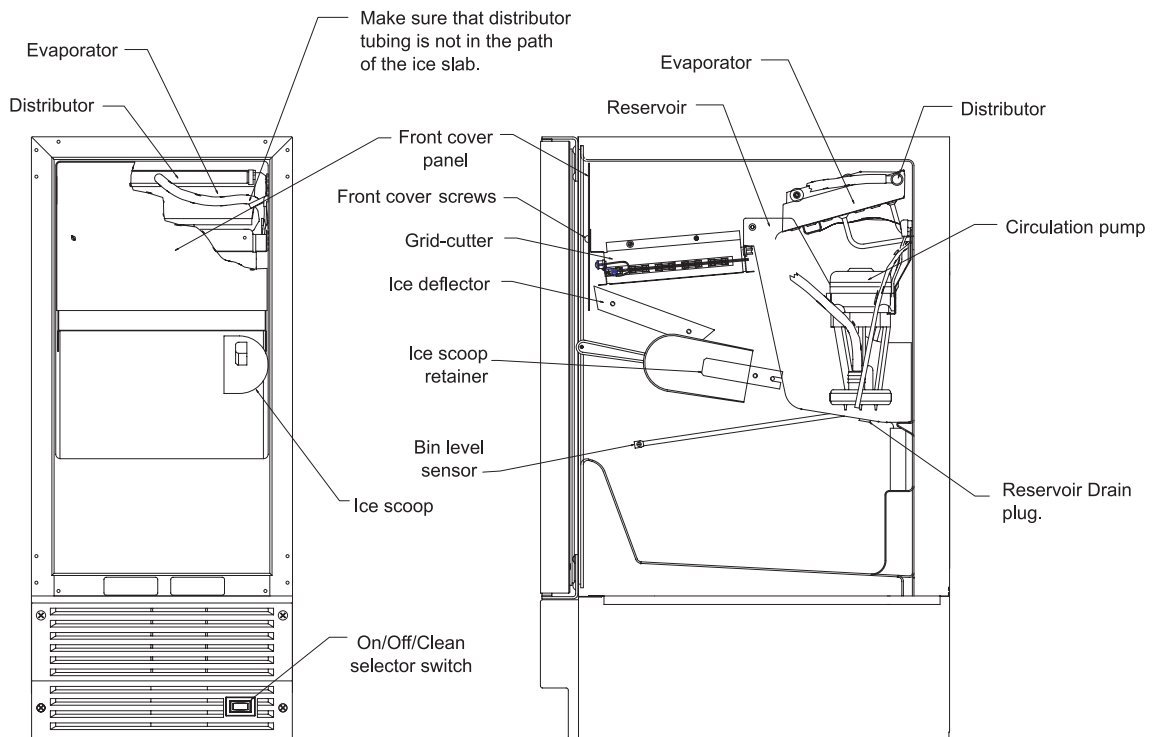
APPROXIMATE TIME TO FILL BIN (HOURS)*

WATER TEMPERATURE °F

ROOM TEMPERATURE °F

	50	70
70	31	34
80	41	58
90	60	82

*NOTE: DUE TO VARIABLES IN INSTALLATION AND USE, INDIVIDUAL RESULTS MAY VARY.



Obtaining Service

Before Calling for Service

Before calling for service, check the following items:

- Make sure unit is plugged into outlet.
- Check the outlet for power. Test outlet with lamp to make certain outlet has power.
- Make sure ice machine's switch is in the "ON" position.
- Make sure that there is cold water supplied to the ice machine.
- Make sure drain plug on bottom of reservoir is inserted.
- Make certain unit is level from front to back and side to side.
- Make certain that the drain line to the ice machine is unrestricted or kinked.
- Use troubleshooting guide, pages 11-14 for other diagnosis.

If you are not able to correct the problem, contact your dealer or the manufacturer. Be sure to have the model number and the serial number handy before you call. The model and the serial number are located on the lower front part of the ice machine's cabinet.

How to Obtain Service

Your ice machine requires little service because the best and most up-to-date materials, equipment and quality control methods are employed throughout the manufacturing process.

If trouble occurs during normal operation, read "Things to remember" section first and, if necessary, check the troubleshooting guide. If service becomes necessary:

1. Contact the dealer where your appliance was purchased or the manufacturer for the name of the nearest authorized service representative. The service representative will have full authority to make any repairs deemed necessary.
2. If you are in an area where there is no service representative, write or call the manufacturer directly. We will make recommendations as to the proper procedure for correction. Service work and replacement parts, if required, will be provided as covered by your limited warranty.
3. In all correspondence regarding service, be sure to give the model number, serial number and proof of purchase.
4. Try to have information or description of the nature of the problem, how long the unit has been running, the room temperature, water temperatures, and any additional information that may be helpful in quickly solving the problem.

Every new ice machine that leaves the factory contains this Owner's Guide. Keep this Owner's Guide in a safe place for convenient reference.



For Your Records

Date of Purchase		
Dealer's Name		
Dealer's Address		
Dealer's city	Dealer's State	Zip
Appliance Serial Number		
Model Number		
Date Warranty Card Mailed (within 10 days of purchase)		

Troubleshooting One

<i>Problem</i>	<i>Possible Cause</i>	<i>Correction</i>
Unit does not operate.	The unit is unplugged.	Plug in the unit.
	Breaker is tripped or fuse is blown.	Reset breaker or replace fuse. Check to make sure there is not a short in the electrical circuit.
	Ice machine selector switch is in the "OFF" position.	Set the rocker switch on the grille of the ice machine to the "ON" position.
Unit operates but does not produce any ice.	The unit has just been started and it has been less than 6 hours.	Ice produced when the unit is initially started will melt off in the bin. Ice will accumulate in the bin. In 6 hours there can be a few cubes in the bin. This is normal operation.
	Typical ice production cycle can take up to 1.5 hours. Initial startup cycles can be longer.	Check the unit in 24 hours for ice accumulation in the bin.
	The selector switch is in the "OFF" or "CLEAN" position.	Set the rocker switch on the grille of the ice machine to the "ON" position.
	No water in the reservoir.	Make sure that the reservoir drain plug is installed. Check the water line to the unit to make sure it is on and that there are no restrictions or kinks in the line. Check all filters to make sure they are not restricted or plugged.
	Distributor tube is restricted.	See "CLEANING YOUR ICE MACHINE" section for cleaning the unit for proper operation.
	Build up of deposits on evaporator plate.	See "CLEANING YOUR ICE MACHINE" section for cleaning the unit for proper operation.
	Condenser fan air flow is restricted.	Make certain the grille in the front of the unit is free and open for proper air circulation. Check and clean the condenser coil by removing the grille in the front of the unit. Clean the condenser with a vacuum and brush attachment.
	Room and/or water temperature is too warm.	Move the unit to an area where ambient temperature is below 90 deg. F. The unit should not be placed next to a heat source such as an oven. Check for cold water connection.
	Leaking drain valve.	See "CLEANING YOUR ICE MACHINE" section for cleaning the unit. This will also dissolve and flush out foreign material in the drain valve causing it to leak.
	Inadequate drain system.	Restriction in drain lines will cause ice in the bin to melt. If using a gravity drain, make certain there are no kinks or restrictions in the drain lines. If using a drain pump, check the inlet screen, discharge line, and vent line for any build or restrictions.
Grid cutter is unplugged.	Plug in the grid cutter so that ice slabs can be cut into cube.	

Trouble Shooting Two

<i>Problem</i>	<i>Possible Cause</i>	<i>Correction</i>
Ice cubes are too small (less than 1/2 inch thick).	Low ice consumption.	Ice is slowly melting in the ice bin and will affect the size of the ice cube. This is normal operation. When the ice bin needs to be replenished, cubes will return to regular size.
	Not enough water in reservoir.	Make sure that the reservoir drain plug is installed properly. Check the water line to the unit to make sure there are no restrictions or kinks in the line. Check all filters to make sure they are not restricted or plugged.
	Distributor tube is restricted.	See "CLEANING YOUR ICE MACHINE" section for cleaning the unit for proper operation.
	Build up of deposits on evaporator plate.	See "CLEANING YOUR ICE MACHINE" section for cleaning the unit for proper operation and cube size.
	Inadequate drain system.	Restriction in drain lines will cause ice in the bin to melt to a thinner cube. If using a gravity drain, make certain there are no kinks or restrictions in the drain lines. If using a drain pump, check the inlet screen, discharge line, and vent line for any build or restrictions.
	Leaking drain valve.	See "CLEANING YOUR ICE MACHINE" section for cleaning the unit. This will also dissolve and flush out foreign material in the drain valve causing it to leak.
	Room temperature is too warm.	Move to an area where temperature is below 90 deg. F.
Ice cubes are too big (greater than 3/4 inch thick).	Ice slab not releasing.	See "CLEANING YOUR ICE MACHINE" section for cleaning the unit for proper operation and cube size.
	Condenser fan air flow is restricted.	Make certain the grille in the front of the unit is free and open for proper air circulation. Check and clean the condenser coil by removing the grille in the front of the unit. Clean the condenser with a vacuum and brush attachment.
	Room temperature is too warm.	Move to an area where temperature is below 90 deg. F.
Hollow ice slab.	Distributor tube is restricted.	See "CLEANING YOUR ICE MACHINE" section for cleaning the unit for proper operation.
	Build up of deposits on evaporator plate.	See "CLEANING YOUR ICE MACHINE" section for cleaning the unit for proper operation and cube size.
	Low water level in reservoir.	Make sure that the reservoir drain plug is installed properly. Check the water line to the unit to make sure there are no restrictions or kinks in the line. Check all filters to make sure they are not restricted or plugged.

Trouble Shooting Three

<i>Problem</i>	<i>Possible Cause</i>	<i>Correction</i>
Ice is not clear.	Low water level in reservoir.	Make sure that the reservoir drain plug is installed properly. Check the water line to the unit to make sure there are no restrictions or kinks in the line. Check all filters to make sure they are not restricted or plugged.
	Softened water supply.	Make certain that water line is not connected to the water softener.
	Room temperature is too cold.	Move the unit to an area where room temperature is above 55 deg. F.
Low ice production. Unit is running, has run over a 48 hour period, and there is little ice in bin.	Low water level in reservoir.	Make sure that the reservoir drain plug is installed properly.
	Distributor tube is restricted.	Check the water line to the unit to make sure there are no restrictions or kinks in the line. Check all filters to make sure they are not restricted or plugged.
	Build up of deposits on evaporator plate.	See "CLEANING YOUR ICE MACHINE" section for cleaning the unit for proper operation.
	Inadequate drain system.	Restriction in drain lines will cause ice in the bin to melt. If using a gravity drain, make certain there are no kinks or restrictions in the drain lines. If using a drain pump, check the inlet screen, discharge line, and vent line for any build or restrictions.
	Condenser fan air flow is restricted.	Make certain the grille in the front of the unit is free and open for proper air circulation. Check and clean the condenser coil by removing the grille in the front of the unit. Clean the condenser with a vacuum and brush attachment.
Unit continues to run and produce ice.	Ice bin is not full.	The unit will automatically shut down when ice reaches the sensing tube.
	Ice bin is full.	The unit will automatically shut down when ice reaches the sensing tube and has completed the harvest of the ice slab.
	Room temperature is too warm.	Move the unit to an area where room temperature is below 90 deg. F.
	Ice machine is not level.	Use a level to check the unit for level from side to side and front to rear.
Grid-cutter is not cutting the ice slab.	The selector switch is not in the "ON" position	Set the rocker switch on the grille of the ice machine to the "ON" position.
	The grid cutter is not plugged into the receptacle.	Remove the escutcheon panel and plug the grid-cutter into the receptacle on the side of the line.
	Time to cut through the slab.	It can take up to 35 minutes to cut through a harvested ice slab. This is normal operation.

Troubleshooting Four

<i>Problem</i>	<i>Possible Cause</i>	<i>Correction</i>
Ice cubes are sticking together.	Ice consumption is low.	Use the ice in the bin frequently. Ice will stick together if left in insulated bin over long periods of time.
	Room temperature is too warm.	Move the unit to an area where temperature is below 90 deg. F.
Ice level is too high.	The ice machine is not level.	Use a level to check the unit for level from side to side and front to rear.
	Room temperature is too warm.	Move the unit to an area where temperature is below 90 deg. F.
	Ice deflector is not in place or secured properly.	Check to see that the ice deflector is in place and secured below the grid-cutter.
	Bin level sensing tube needs adjusted.	You can adjust the bin level sensing tube by simply pressing directly down on the tube 5 inches from the front of the tube to get a desired bin level.
Ice level is too low.	The ice machine is not level.	Use a level to check the unit for level from side to side and front to rear.
	Room temperature is too cold.	Move the unit to an area where temperature is above 55 deg. F.
	The selector switch is not in the "ON" position	Set the rocker switch on the grille of the ice machine to the "ON" position.
Water keeps backing up into the ice bin (gravity drain).	Inadequate drain system.	Restriction or improperly installed drain lines will cause water to back up into the ice bin. Make certain there are no kinks or restrictions in the drain lines. If necessary, consult a qualified plumber.
	Foreign material in ice bin drain.	Foreign material is restricting or blocking the ice bin drain located at the right rear corner of the ice bin. The drain will need to be cleared.
Water keeps backing up into the ice bin (drain pump).	Drain pump tubing kinked or restricted.	Check inlet, discharge, and vent line tubing for any kinks or restrictions and repair as necessary.
	Inlet screen to the drain pump is restricted or blocked.	Clean the inlet screen to the drain pump.
	Drain pump and/or the ice machine are not level.	Check and level if necessary the drain pump as well as the ice machine.
The drain pump cycles on and off erratically.	Vent line to the drain pump is restricted or kinked.	Check the vent line for any restrictions or kinks and repair as necessary.
	Discharge line is restricted or kinked.	Check the discharge line and connection to the desired drain for any restrictions or kinks and repair as necessary.
	The drain pump is not level.	The drain pump must be level. Check for level on the top of the drain pump case and adjust the tubing or use shims to level.

Warranty

Household Refrigeration Products Limited Warranty

Entire Product - Limited One Year Parts and Labor Warranty. Aga Ranges warrants that it will supply all necessary parts and labor to repair or replace in the end user's home or office, any component which proves to be defective in materials or workmanship, subject to the condition and exclusions stated below, for period of one year from date of purchase by the end user.

Additional Second Through Fifth Year Limited Parts Only Warranty

During the four years following expiration of the One Year Limited Warranty, Aga Ranges will supply replacement parts for the hermetically sealed refrigeration system which consists of the compressor, condenser, drier, connecting tubing and the evaporator that are proven to be defective due to workmanship or materials subject to the conditions and exclusions below.

The above warranties do not cover:

- Shipping costs of replacement parts or returned defective parts.
- Customer education or instructions on how to use the refrigerator/freezer.
- Any content loss due to product failure. - Removal or installation.

Nor do the above warranties cover failure of this product or its components due to:

- Transportation or subsequent damages.
- Use commercially or use other than normal household or office.
- Improper installation, misuse, abuse, accident or alteration, use on wiring not conforming to electrical codes, low voltage, failure to provide necessary maintenance, or other unreasonable use.
- Parts or service not supplied or designated by Aga Ranges.

The above warranties also do not apply if:

- The original Bill of Sale, deliver date or serial number cannot be verified.
- Defective parts are not returned for inspection if so requested by Aga Ranges.
- The refrigeration equipment is not in the possession of the original end use purchaser.

THE WARRANTIES SET FORTH HEREIN ARE THE ONLY WARRANTIES EXTENDED BY AGA RANGES. ANY IMPLIED WARRANTIES, INCLUDING THE IMPLIED WARRANTY OF MERCHANTABILITY, ARE LIMITED TO THE DURATION OF THESE EXPRESS WARRANTIES. IN NO EVENT SHALL AGA RANGES BE LIABLE FOR ANY CONSEQUENTIAL OR INCIDENTAL DAMAGES OR EXPENSES RESULTING FROM BREACH OF THESE OR ANY OTHER WARRANTIES, WHETHER EXPRESSED OR IMPLIED.

Some states do not allow the exclusion or limitation of consequential damages or limitations on how long an implied warranty lasts, so the above exclusion or limitation may not apply to you. This warranty gives you specific legal rights, and you may also have other rights which may vary from state to state.

No person, firm or corporation is authorized to make any other warranty or assume any other obligation for Aga Ranges. These warranties apply only to products used in any of the fifty states of the United States and the District of Columbia.

To obtain performance of this warranty, report any defects to:

*Aga Ranges/Refrigeration Products Division
(Warranty Administration)*

*P.O. Box 997
Richmond, Indiana
47375
USA*

1.800.243.1624

IN NO EVENT SHALL THE COMPANY BE LIABLE FOR INCIDENTAL OR CONSEQUENTIAL DAMAGES INCLUDING, BUT NOT LIMITED TO, CONTENT LOSS.

Some states do not allow limitations on length of time implied warranty may last, so the above limitations may not apply to you.

This warranty gives you specific legal rights. You may also have other rights which vary from state to state.

Notes

Aga Ranges/Refrigeration Products Division

P.O. Box 997 • Richmond, Indiana • 47375 • USA • 1.800.243.1624

Free Manuals Download Website

<http://myh66.com>

<http://usermanuals.us>

<http://www.somanuals.com>

<http://www.4manuals.cc>

<http://www.manual-lib.com>

<http://www.404manual.com>

<http://www.luxmanual.com>

<http://aubethermostatmanual.com>

Golf course search by state

<http://golfingnear.com>

Email search by domain

<http://emailbydomain.com>

Auto manuals search

<http://auto.somanuals.com>

TV manuals search

<http://tv.somanuals.com>