

# FULLY AUTOMATIC WASHER-DRYER LAVAMAT 2200 I W-D

Instruction booklet

Subject to alteration

12498.881/2

11 12 / 97

# AEG

TW/E

2963

# AEG

---

## Index

---

Page 3- 4	Warnings
Page 5	Technical specifications
Page 6	Your machine
Page 7-12	Installation instructions
Page 13	The control panel
Page 14-17	Use of controls
Page 19-20	The washing and drying programmes
Page 21-22	Use of detergent and additives
Page 23-24	Washing 4 kg of white cotton at 95°C
Page 26-28	Washing 2 kg of delicate synthetic fabrics at 40°C
Page 29-30	Drying 2.25 kg (5 lb) of cotton
Page 31-32	Hints on washing and drying
Page 33-34	Maintenance
Page 35-36	Cleaning the filter
Page 37-39	Door Reversal & Building Under
Page 40-43	Servicing

---

## Servicing

---

**In case of any enquiries and faults, please call AEG After-Sales Service:**

**Southern Service Centre**

217 Bath Road  
SLOUGH  
Berkshire  
SL1 4AW

Tel: 0753 872506

**Northern Service Centre**

Unit 20  
Haigh Park  
Haigh Avenue  
STOCKPORT  
Gt. Manchester  
SK4 1QR

Tel: 061 487 2205

**Scottish Service Centre**

Block 11, Unit 1,  
Dundyvan Industrial Estate  
COATBRIDGE  
Lanarkshire ML5 4AQ

Tel: 0236 440387

When calling please state the following:

1. The model number
2. The Prod.-No.
3. The Ser.-No.

The manufacturer reserves the right to make alterations in design and colour in the interests of technical development without prior notice.

## Servicing

### ■ PROBLEM

#### ■ THE MACHINE DOES NOT DRY

### ● CAUSE

- A drying programme has not been selected
- The cold water tap is not on
- The drainage filter is clogged
- The machine is overloaded
- The drying time is not adequate

### ▶ SOLUTION

- ▶ Select a drying programme
- ▶ Turn the tap on
- ▶ Clean the filter (see page 35)
- ▶ Reduce the load
- ▶ Refer to the programme chart and set the correct time (see pages 19-20)

#### ■ THE DOOR DOES NOT OPEN

- The safety device has locked it
- Water in the wash tub

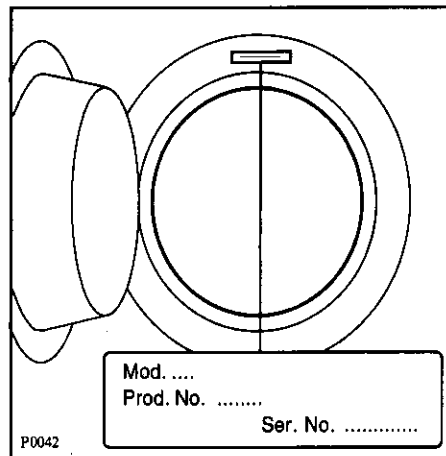
- ▶ Wait 1 - 2 minutes after the end of the programme before opening the door
- ▶ Drain the water by running the draining programme (15)

If, after the above checks, there is still a fault, call your nearest **AEG Service Centre**.

Please make sure you give the model and serial number of the appliance. This information can be found on the rating plate (see picture), or on the guarantee certificate.

Original spare parts can be purchased from **AEG Spare Parts on Slough 0753 872550**.

**In-guarantee customers should ensure that the above checks have been made as the engineer will make a charge if the fault is not a mechanical or electrical breakdown.** Please note that proof of purchase is required for any in-guarantee service calls.



## Warnings

**It is most important that this instruction book should be retained with the appliance for future reference. Should the appliance be sold or transferred to another owner, or should you move house and leave the appliance, always ensure that the book is supplied with the appliance in order that the new owner can get to know the functioning of the appliance and the relevant warnings.**

This appliance is designed to be operated by adults. Children should not be allowed to tamper with the controls or play with the product.

It is dangerous to alter the specifications or attempt to modify this product in any way.

Any electrical work required to install this appliance should be carried out by a qualified electrician or competent person.

Any plumbing work required to install this appliance should be carried out by a qualified plumber or competent person.

This product should be serviced by an authorised AEG Service Centre, and only genuine spare parts should be used.

Care must be taken to ensure that the appliance does not stand on the electrical supply cable.

Always unplug the appliance and turn off the water after use.

Do not overload the appliance. See relevant section in instruction book.

Always look through the glass door to check if water has drained before opening the door. If water is present do not open door before draining the water. If in doubt, refer to your instruction book.

This appliance is heavy. Care should be taken when moving it.

All packing and transit bolts must be removed before use. Serious damage can occur to the product and to property if this is not adhered to. See relevant section in instructions.

The glass door becomes very hot during the washing cycle. Keep children away from the vicinity of the appliance whilst it is in operation.

Leave the porthole door slightly ajar between washes to preserve the door seal.

Only wash fabrics which are designed to be machine washed. Follow the instructions given on fabric labels (see chart «Wash code symbols».

Before washing, ensure that all pockets are empty and buttons and zips are fastened. Avoid washing frayed or torn articles and treat stains such as paint, ink, rust, and grass before washing. Underwired bras must not be machine washed.

Any objects such as coins, safety pins, nails, screws, stones or any other hard, sharp material can cause extensive damage and must not be placed into the appliance.

## Warnings

Before selecting a programme or changing an ongoing programme the machine must be switched off by depressing the ON/OFF push-button.

Garments which have been in contact with volatile petroleum products should not be machine washed. If volatile cleaning fluids are used, care should be taken to ensure that the fluid is removed from the garment before placing in the machine.

Wash small items such as socks, laces, washable belts etc in a washing bag or pillow case as it is possible for such items to slip down between the tub and the inner drum.

Only use the advised quantities of fabric softener. Damage to the fabric can ensue if you over-fill. Refer to the manufacturer's recommendations of quantities.

As some duvets and eiderdowns should be washed/dried in large commercial machines because of their bulk, please check with the manufacturer of the item before washing in a domestic machine, even if the dry weight of the item is within the limit advised.

Only tumble dry fabrics which are designed to be tumble dried.

If it is necessary to open the door during the drying cycle, take care not to touch the inside of the glass porthole as this gets very hot.

Never tumble dry items that have had contact with chemicals such as dry cleaning fluid. These are of a volatile nature and could cause an explosion. Only tumble dry items which have been washed in water or require airing.

The users should always check that they have not left their gas lighters (disposable or otherwise) in their clothing.

Before the drying cycle always remove reusable plastic detergent dispenser designed to be placed inside the drum with the clothes as the plastic used is not designed to withstand the heat of the drying cycle.

Pets and children have been known to climb into washing machines. Please check your drum before use.

If the machine is situated on a carpeted floor, please adjust the feet to ensure that air can circulate freely.

Under no circumstances should you attempt to repair the machine yourself. Repairs carried out by inexperienced persons may cause injury or more serious malfunctioning. Contact your local AEG Service Centre. Always insist on genuine AEG spare parts.

## Servicing

### ■ PROBLEM

#### ■ THE MACHINE DOES NOT DRAIN OR SPIN

### ● CAUSE

- You have pressed the «Rinse Hold» button
- The drain filter is clogged
- The drain hose is bent
- The drainage system pipes are blocked
- The drain hose extension is incorrect
- The wash load is unbalanced

### ▶ SOLUTION

- ▶ Press this button again to drain the water
- ▶ Clean the filter. Before doing this see page 35
- ▶ Straighten the hose out
- ▶ Consult a qualified plumber
- ▶ Consult a qualified plumber
- ▶ Redistribute the clothes inside the drum to allow the machine to spin

#### ■ THE MACHINE LEAKS OR OVERFLOWS

- Too much washing powder
- Unsuitable washing powder
- The inlet hose ring is loose
- The detergent dispenser drawer or recess are clogged
- The end of the drain hose is not securely positioned

- ▶ Reduce the quantities of washing powder
- ▶ Only use washing powder suitable for automatic machines
- ▶ Tighten the ring (see page 10)
- ▶ Clean the drawer and recess (see page 33-34)
- ▶ Position the drain hose correctly

#### ■ THE MACHINE VIBRATES OR IS NOISY

- The internal packing has not been removed
- The machine is not level
- The machine is in contact with the wall or furniture
- The washing load is badly distributed
- The machine is overloaded

- ▶ Remove internal packing (see p. 7)
- ▶ Adjust the feet (see page 12)
- ▶ Move the machine; it should rest freely on its feet
- ▶ Remember to shake out large items (e.g. sheets) when loading
- ▶ Run the draining programme (15), reduce the load and continue

## Servicing

Certain problems are due to lack of simple maintenance or oversights and can be solved easily without having to call the AEG Service Department.

■ PROBLEM	● CAUSE	▶ SOLUTION
<b>■ THE MACHINE DOES NOT START UP</b> (with pilot light off)	● The On-Off button is not pressed	▶ Press the On-Off button
	● The door is not closed properly	▶ Close the door
(with pilot light on)	● The appliance is not plugged in	▶ Plug the appliance in
	● There is no electric supply from the wall socket	▶ Check the fuse  ▶ Consult a qualified electrician
	● The programme selector is not correctly positioned	▶ Turn the programme selector to the required programme
	● No water is entering the machine	▶ See solutions to the problem: THE MACHINE DOES NOT FILL
<b>■ THE MACHINE DOES NOT FILL</b>	● The water taps are not on	▶ Turn the taps on
	● The water supply has been cut off	▶ Wait until the water supply is restored
	● The inlet hoses are bent	▶ Straighten the bend out
	● The water pressure is too low	▶ If this occurs often, consult a qualified plumber
	● The water inlet filter is clogged	▶ Clean the filter (see page 35)
<b>■ THE MACHINE EMPTIES AS IT FILLS</b>	● The end of the drain hose is too low	▶ Position the drain hose at the correct height (between 60 and 90 cm)
	● The end of the drain hose is submerged in water	▶ The end of the drain hose must NOT be submerged
	● Drain pipe without vent-hole	▶ Consult a qualified plumber

## Technical specifications

### Dimensions

Width	60 cm (23.6")
Height	82 cm (32.3")
Depth	54 cm (21.3")

### Electrical connection

Voltage	220/240V - 50Hz
Maximum power absorbed	2550 W (13A)

### Water pressure

Minimum (hot)	5 psi
Minimum (cold)	7 psi
Maximum	110 psi

### Maximum recommended load for washing

Cotton, linen	4.5 kg (10 lb)
Synthetics, delicate fabrics	2 kg (4.5 lb)
Wool	1 kg (2.2 lb)

### Maximum recommended load for drying

Cotton, linen	2.25 kg (5 lb)
Synthetics	1.5 kg (3 lb)

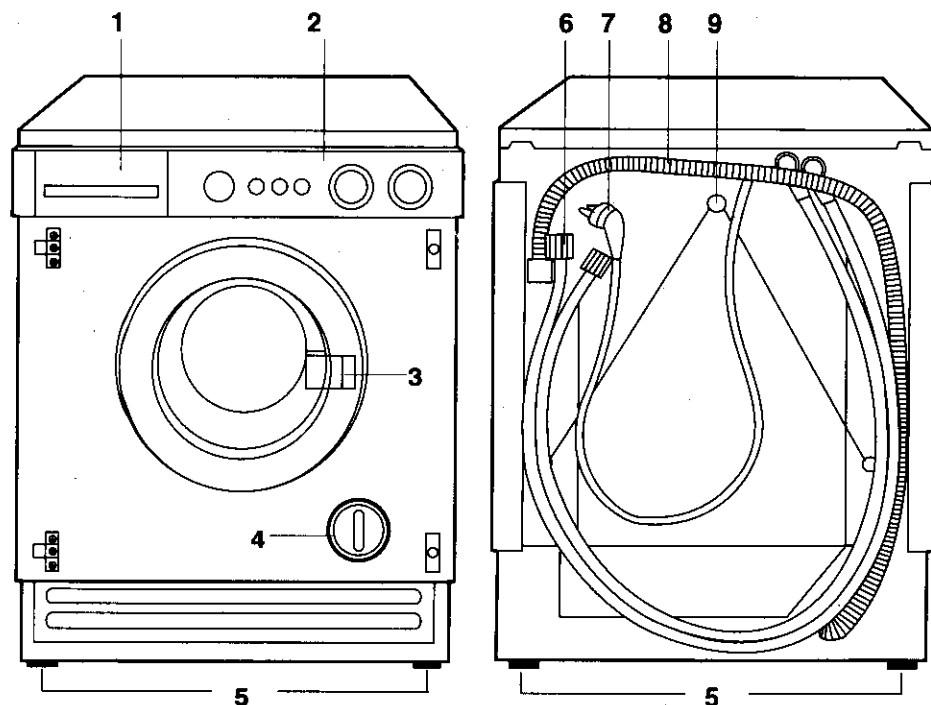
### Spin speed

Maximum	1200 r.p.m.
---------	-------------

The washing programme "2" at 60°C and the drying programme "cupboard dry" are the references programmes for the Energy label according to EEC Directive 92/75.

Consumptions to wash and dry a full capacity wash load (4,5 kg cotton items) at 60°C, degree of drying required "cupboard dry": 4.40 kWh, 134 litres.

## Your machine



- |                                   |                           |
|-----------------------------------|---------------------------|
| 1 Washing powder dispenser drawer | 6 Water inlet hoses       |
| 2 Control panel                   | 7 Mains lead with plug    |
| 3 Door catch                      | 8 Drain hose              |
| 4 Drain Filter                    | 9 Transport safety screws |
| 5 Adjustable feet                 |                           |

## Door reversal & building-under

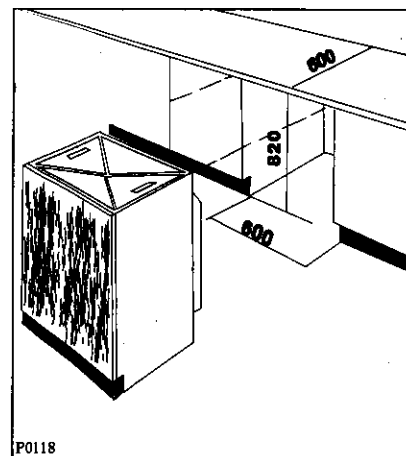
### Instructions for building in under a counter

This appliance is designed to be built into a kitchen unit due to its standard dimensions.

The machine should be inserted into a recess having the dimensions shown in the picture, making sure that the fill and drain hoses are not bent or kinked in such a way as to obstruct the normal water flow.

As for water & electricity connection, please follow the rules given in this operator's handbook.

Furthermore, we strongly recommend that the water & electricity supply cut off controls remain easily accessible.



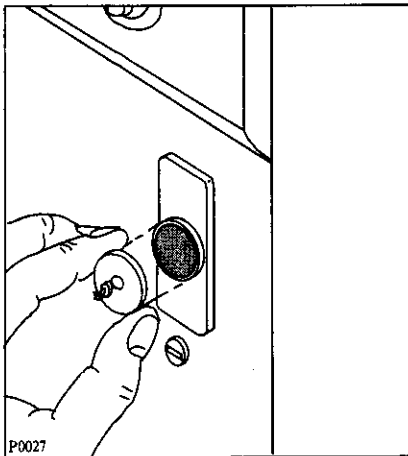
## Door reversal & building-under

### Mounting the door

Now fix the hinges to the machine by means of the M 5×8 mm screws. To compensate for possible uneven thickness of the door the hinges can be adjusted horizontally. To align the door perfectly it may sometimes be necessary to adjust the height of the plates (2). This can be done by loosening the plastic screw (3).

### Counter-Magnet (5)

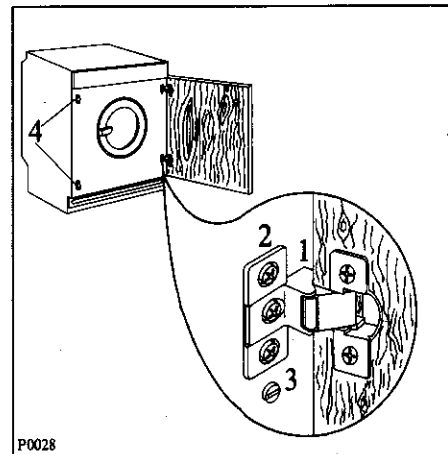
The door is kept closed by a magnetic closure. To enable the closure to operate a counter-magnet must be screwed into the door inner side (steel disk with rubber ring). Its position must correspond with the magnet on the appliance (see picture).



### Change of door opening direction

Should a change of the opening direction to the left side be required, operate as follows:

- Unscrew the door magnet (4) and the rubber buffer (4) and take out the plastic inserts.
- Fit the hinge fastening plates (2) on the right side.
- Fit the magnet, the rubber buffer and the plastic inserts on the left side.



## Installation instructions

### Caution

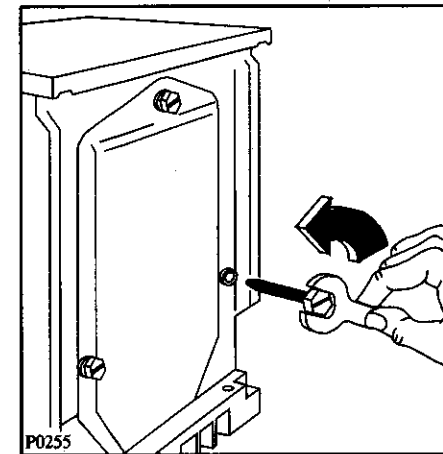
Before starting the machine up, the packing must be removed as follows.

### Note

You are advised to keep all the packing for re-use in case the machine has to be transported again.

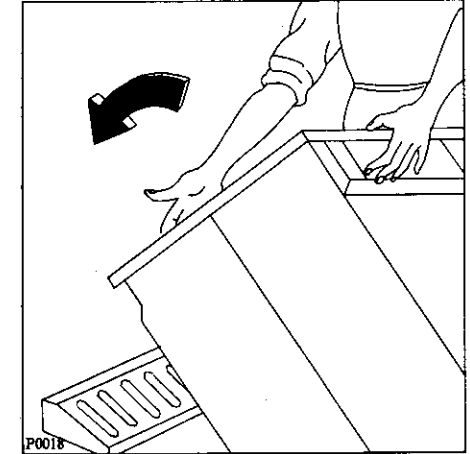
### 1

Using a spanner unscrew and remove the rear right screw.



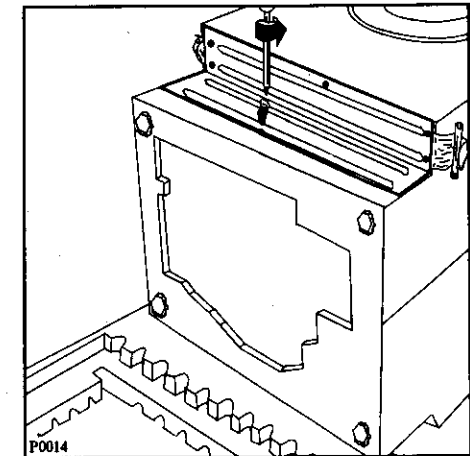
### 2

Lay the machine on its back making sure that the hoses are not squashed.



### 3

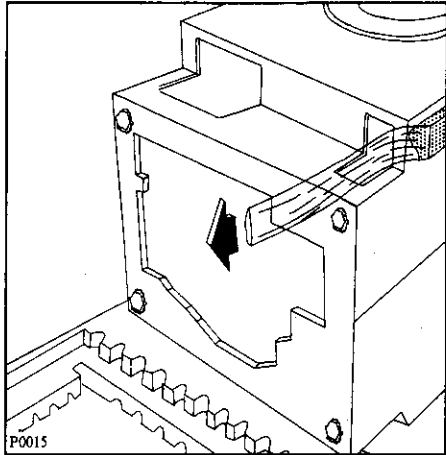
Remove the polystyrene base and take off the bottom panel by unscrewing the central screw.



## Installation instructions

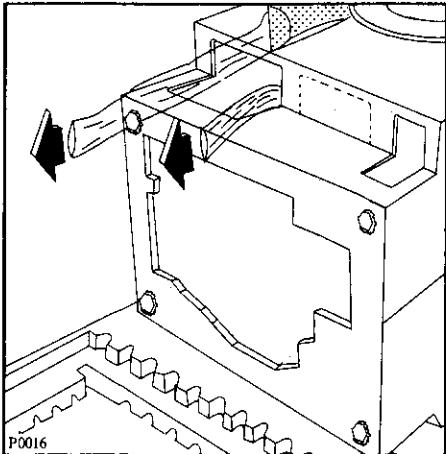
4

Carefully remove the right polythene bag.



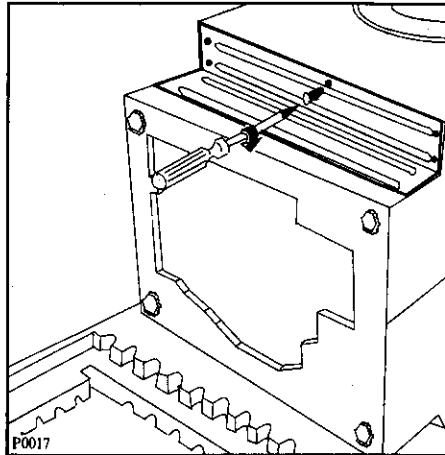
5

Carefully remove the central and left polythene bags.



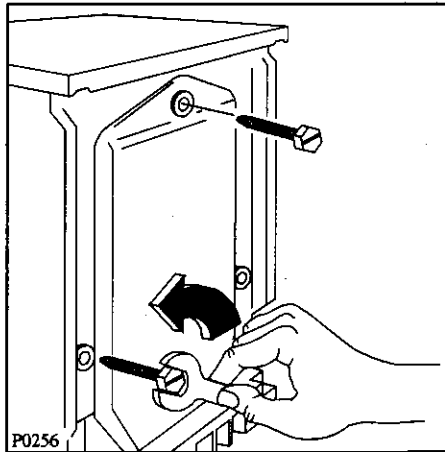
6

Re-fit the bottom panel using the 4 screws supplied with the booklet and the previously removed screw.



7

Set the machine upright and unscrew the two remaining rear screws.



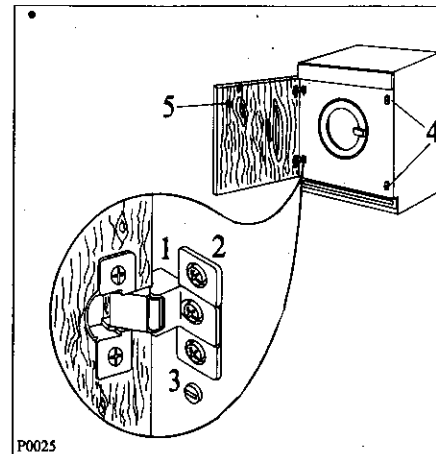
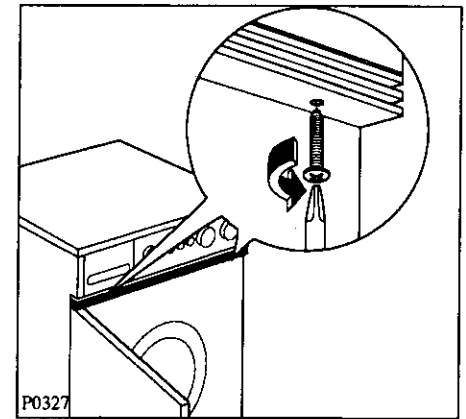
## Door reversal & building-under

### Preparation and assembly of the door

It is possible to change the door opening side so as to match it perfectly with the rest of the kitchen furniture.

The machine is originally pre-arranged for assembly of a door with right side opening.

In this case it is sufficient to screw-in on the door the two hinges (1) and the counter-magnet (5) in the right position.



### Hinges

To mount the hinges on the door it is necessary to drill 2 holes (dia. 35 mm, depth 14 mm) on the door's inner side.

The distance between the holes must be 416 mm.

The dimension (B) (from upper edge of the door to the center of the hole) cannot be given, since it depends on the adjacent cabinets' dimensions. The required dimensions are given in the picture.

The hinges will be fixed to the door by means of the 4 x 16 mm screws.

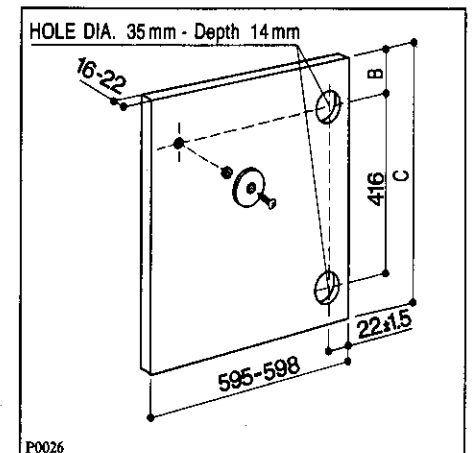
### Cabinet's door

The dimensions of the cabinet's door should be:

width            595 ± 3 mm  
thickness        16 to 22 mm

The height (C) cannot be given, since it depends on the height of the adjacent furniture, e.g. height of the kick plate of the kitchen unit.

If necessary, the plastic sealing profiles underneath the control panel can be removed by unscrewing the two screws.





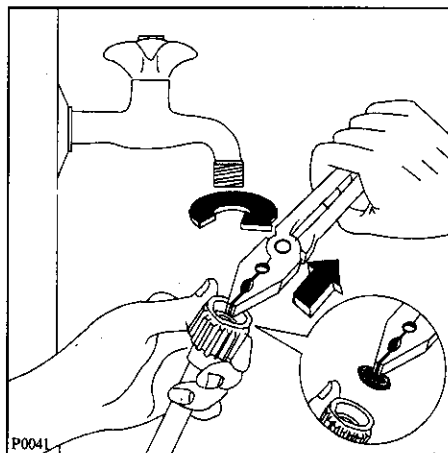
## Cleaning the filter

### Warning

When the appliance is in use and depending on the programme selected there can be hot water in the filter. Never remove the filter during a wash cycle, always wait until the appliance has finished the cycle, and is empty. When replacing the filter, ensure it is securely retightened. This will prevent leaks and also stop young children being able to remove the filter.

### The water inlet filters

If your water is very hard or contains traces of lime deposit, the water inlet filters may become clogged. It is therefore a good idea to clean them from time to time. Turn off the water taps. Unscrew the water inlet hoses.

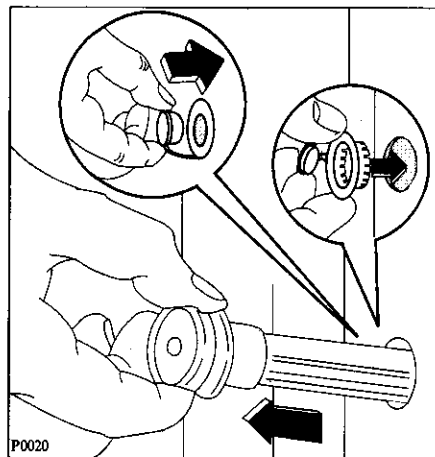


Remove and clean the filters using a hard bristle brush. Replace the filters and tighten up the inlet hoses.

## Installation instructions

8

Slide out the 3 plastic pins and stop the holes with the plastic plugs supplied with the instruction booklet.



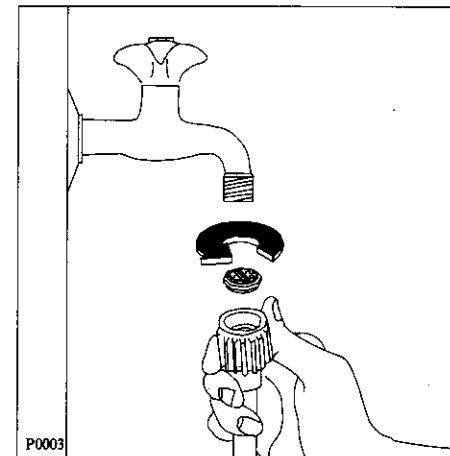
9

Your new AEG washing machine has been designed to be permanently plumbed in to your home's water supply and drainage system. However, if this is not possible, it may be connected to suitable existing taps, with the drain hose discharging into a sink.

The appliance has two inlet valves, hot and cold, with female 3/4" BSP thread connectors. If this connection size is not compatible with the plumbing of the existing installation, a variety of connectors are available from good hardware stores and plumbers merchants to suit most domestic plumbing. Any alterations to your existing plumbing must be carried out by a competent person, or qualified plumber.

10

The inlets on the back of the appliance are colour coded, blue for cold, red for hot. Before connecting the hoses be sure to fit the mesh filters supplied as per diagram.



If only a cold water supply is available, connect the two hoses to a cold water outlet by means of a «Y» connection piece.

Installation should comply with local water authority and building regulations' requirements.

The appliance must be given a separate cold water supply and not be connected to a mixer tap, a single outlet water heater or a booster pump. A minimum water pressure of 7 psi is required for safe operation of the appliance.

If you cannot make the cold water connection direct from the rising mains, you may be able to operate the appliance from your cold water storage system.

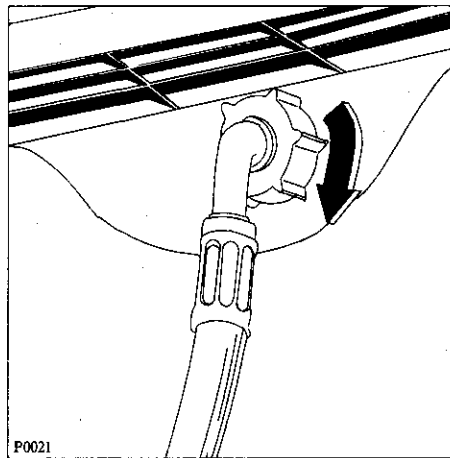
## Installation instructions

There should be a minimum distance of 5.02 m (16½ ft) between the appliance's inlet and the bottom of the tank.

There will be sufficient pressure for the hot water supply from the hot water cylinder if the height between the appliance's inlet and the bottom of the cold water storage cistern (not between the appliance and hot water cylinder) is at least 2.74 m (9 ft).

### 11

Set the hose correctly by loosening the ring nut. After positioning the inlet hose, be sure to tighten the ring nut again to prevent leaks.

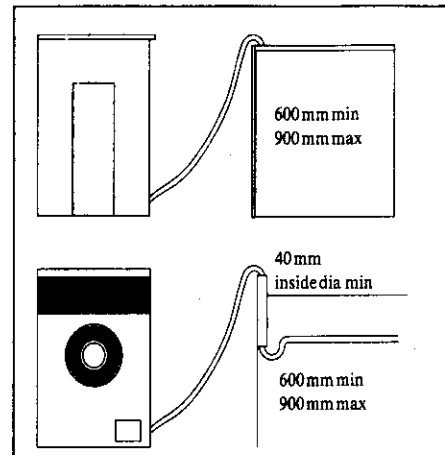


### 12

If you intend the drain hose from the machine to empty into a sink, make sure the sink is empty and that the plug hole is not blocked.

If the machine is permanently plumbed in, hook the end of the hose into a standpipe installed for the purpose.

The standpipe must have an internal diameter of at least 30 mm (1 ½ in), in order that there is an air gap between the drain hose and standpipe. Make sure that it is designed in such a way, that the end of the drain hose cannot be covered with water.



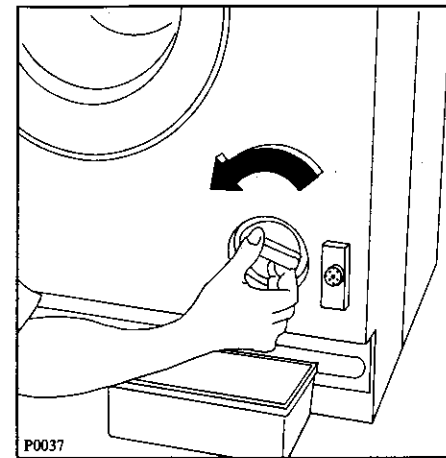
**Important:** Before connecting up the machine to new pipework or to pipework that has not been used for some time, run off a reasonable amount of water to flush out any debris that may have collected in the pipes.

Whether discharging into a sink or a standpipe check that the end of the drain hose is neither too high nor too low. The top of the curve in the hose's end should be no more than 90 cm (35.4") and no less than 60 cm (23.6") above floor level.

## Cleaning the filter

### The water drain filter

A clean filter is important for correct functioning of the machine, and should therefore be cleaned after every wash.

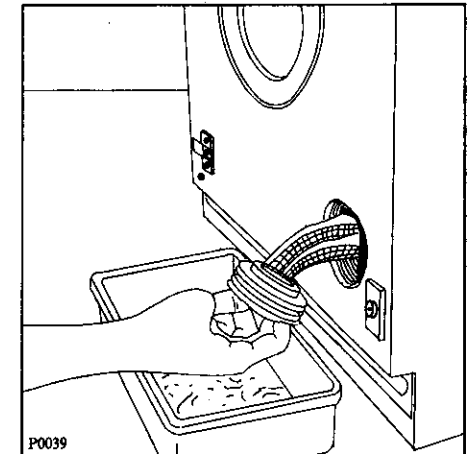


Place a container underneath to catch any spillage.

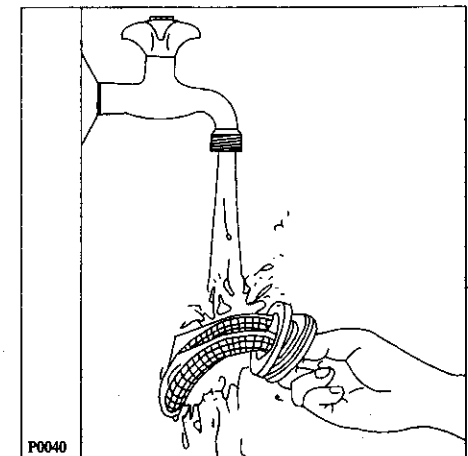
Unscrew the filter.

If the filter is blocked and the machine is unable to drain you will need to drain the water from the machine at this stage.

To do this, unhook the drain hose from the standpipe or sink and hold the end of the hose over a bowl on the floor. The water should drain by gravity into the bowl. When the bowl is full, hook the hose back up and empty the bowl. Repeat the procedure until the water stops flowing out.



Remove the filter.

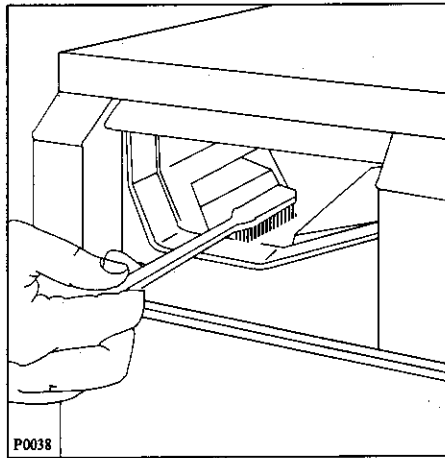


Clean carefully under a fast-running tap.

## Maintenance

### Cleaning the drawer recess

Having removed the drawer, use a small brush to clean the recess ensuring that all washing powder residue is removed from the upper part of the recess. Replace the drawer and run programme 4 for a few minutes and then the drain cycle 15 to clear any residues.



### The dangers of freezing

If the machine is exposed to temperatures below 0°C, certain precautions should be taken.

Turn off the water taps and unscrew the inlet hoses.

Select a wash programme and run for a few seconds.

Unhook the drain hose from the rear support and position the end in a bowl. Run the draining programme for a few seconds.

When you intend to start the machine up again, make sure that the room temperature is above 0°C.

## Installation instructions

### 13

### Electrical connection

#### **WARNING: THIS APPLIANCE MUST BE EARTHED**

**The manufacturer declines any liability should this safety measure not be observed.**

If the plug that is fitted to your appliance is not suitable for your socket outlet, it must be cut off and the appropriate plug fitted.

The cut off plug should be disposed of to prevent the hazard of electric shocks in case it should be plugged into a 13 Amp socket in another part of your home.

#### **Important**

The wires in this mains lead are coloured in accordance with the following code:

GREEN AND YELLOW	EARTH
BLUE	NEUTRAL
BROWN	LIVE

If you fit your own plug, the colours of the wires in the mains lead of your appliance may not correspond with the markings identifying the terminals in your plug, this is what you have to do:

Connect the green and yellow (earth) wire to the terminal in the plug which is marked with the letter «E» or the earth  $\perp$  symbol or coloured green, or green and yellow.

Connect the blue (neutral) wire to the terminal in the plug which is marked with the letter «N» or coloured black.

Connect the brown (live) wire to the terminal which is marked with the letter «L» or coloured red.

The plug moulded on to the cord incorporates a fuse. For replacement, use a 13 Amp BS 1362 fuse. Only ASTA approved fuses should be used.

The fuse cover/carrier must be replaced in the event of changing fuse.

The right fuse cover/carrier colour is the one shown by the coloured insert at the base of the plug.

The plug must not be used if the fuse cover/carrier is lost.

A replacement cover/carrier must be obtained from AEG Service Agents.

**CE** This appliance complies with the following E.E.C. Directives:

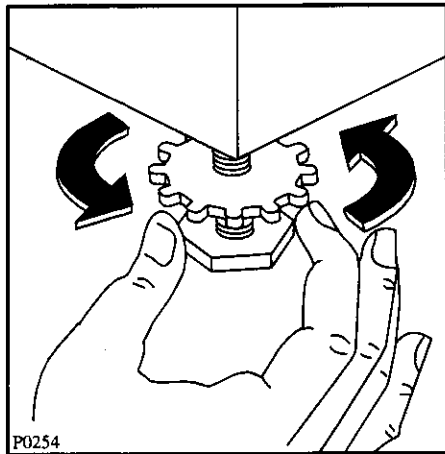
- 73 / 23 EEC of 19.2.73 (Low Voltage Directive) and subsequent modifications;
- 89 / 336 EEC of 3.5.89 (Electromagnetic Compatibility Directive) and subsequent modifications.

## Installation instructions

### 14

Level the washing machine by loosening or tightening the feet. Accurate levelling prevents vibration, noise and displacement of the machine during operation. After levelling the machine, secure the feet by tightening the ring nuts. Some vibration is inevitable, especially if mounted on a wooden floor.

Sprung wooden floors are particularly susceptible to vibration. For advice, consult a builder. If possible, always place the machine on a solid floor.



### Note

Please ensure that when the appliance is installed it is easily accessible for the engineer in the event of a breakdown.

**All plumbing and electrical work required to install this appliance must be carried out by competent persons or qualified plumbers or electricians.**

## Maintenance

Successful washing and smooth running of your machine depend on a series of routine maintenance operations which should be carried out from time to time.

### Important

**Before carrying out any maintenance or cleaning you MUST disconnect the appliance from the electricity supply.**

### Decalcification

The water we normally use contains lime. From time to time, and more often for hard water, it is a good idea to use a water softening powder in the machine. Add this powder according to the manufacturer's instructions. This will prevent the formation of lime deposits.

### After each wash

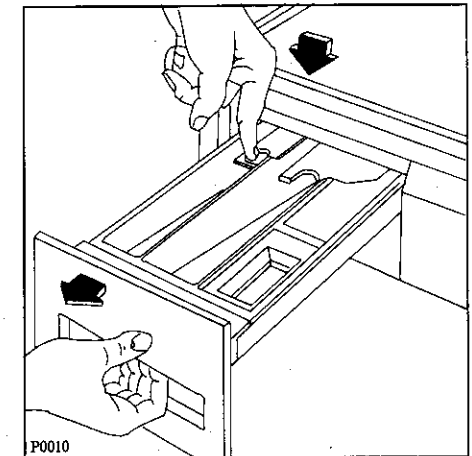
Leave the door open for a while. This helps prevent mould and stagnant smells forming inside the appliance.

### External cleaning

Use soap and water only and then dry thoroughly.

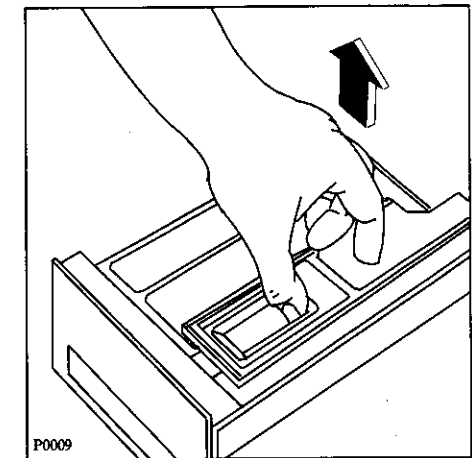
### Cleaning the drawer

From time to time the washing powder and additive dispenser drawer should be cleaned.



Remove the drawer and flush out under a tap.

The upper part of the additives compartment can be removed for easier cleaning.



## Washing hints and drying

Do not leave the damp laundry load in a heap too long before drying.




Avoid drying dark clothes with light coloured fluffy items such as towels as these can attract the fluff.

If you overdry the laundry, besides wasting energy, any subsequent ironing may become more difficult because the fabric could be heavily crumpled.

Remove the laundry when the appliance has finished drying.

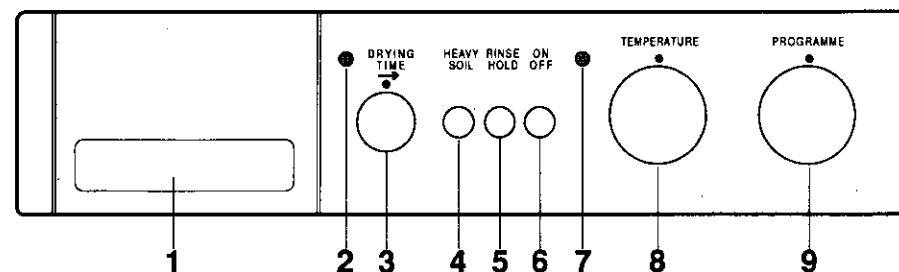
To avoid a static charge when drying is completed, use either a fabric softener when you are washing the laundry or a fabric conditioner specifically for tumble dryers.

For drying, follow the indications given on the manufacturers' labels.

-  Drying at high temperature
-  Drying at reduced temperature
-  Do not tumble dry

Once you have finished using the machine, you are advised to unplug it and turn off the water taps.




## The control panel



- 1 Programme chart (inside the drawer handle)
- 2 Dryer indicator light
- 3 Drying time control
- 4 «Heavy soil» push button
- 5 «Rinse hold» push button
- 6 On/Off-push-button
- 7 Operating pilot light
- 8 Thermostat control
- 9 Programme control

### Symbols

Symbols provided on the control panel have the following meaning:

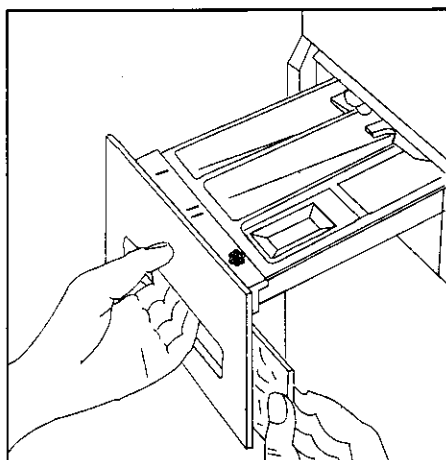
-  Prewash compartment
-  Wash compartment
-  Softener compartment

## Use of controls

### 1 Washing powder dispenser drawer

The washing powder or liquid and additives must be placed in this drawer before starting the programme.

A pull-out programme chart is available inside the drawer handle.



### 2 Dryer indicator light

This light will come on when the machine is drying.

### 3 Drying time control

Press the control knob to pop it out. This control allows you to choose the desired drying time according to the type and quantity of the load to be dried. It can also be adjusted whilst the machine is in operation to either increase or reduce the drying time.

The control incorporates two drying cycles, both of them up to 80 minutes duration. The **high temperature range** for cotton and linen items is marked with a solid line, and the **low temperature range** for synthetic fabrics with a hollow line.

### 4 Heavy soil button

By pressing the heavy soil button, the machine will take in cold water only on programmes with a water temperature of 60°C and hotter. These would normally be hot and cold, or hot fill only. The water is then gradually heated to the required temperature. The effect is to improve the overall wash performance, particularly on biological stains such as egg, blood and grass stains, and heavily soiled fabrics, since the longer «cool-soak» phase as the water heats up provides the right conditions for the powder and the water temperature to interact, and achieve the best possible results.

### 5 Rinse hold button

Press this button to leave the water in the wash tub after the wash cycle is completed.

**This works only on mixed fabrics, wool or delicate/synthetic programmes.**

The clothes are left suspended in water after the final rinse to prevent the formation of creases.

Depress the button to drain the water.

## Washing hints and drying

Do not overload the machine. Weigh the laundry the first few times you use the appliance.

The average weights of the most common items are listed below as a guide:

1000 g = 1 kg (2 lb)

sheet	700-1000 g
pillow case	100- 200 g
tablecloth	400- 500 g
serviette	50- 100 g
tea towel	70- 120 g
linen hand towel	100- 150 g
towelling hand towel	150- 250 g
towelling bath towel	700-1000 g
bath robe	1000-1500 g
man's shirt	200- 300 g
apron	150- 200 g

Load the laundry loosely alternating large items with small ones.

Sort the laundry according to the type of fabric, colour-fastness and how dirty it is.

Avoid washing unhemmed or torn items as they may unravel.

Before washing, empty all pockets of small objects which may have been left inside (coins, keys, screws etc.), as these could damage the drain pump.

When washing curtains, remove the hooks.

Close poppers and zips and fasten loose buttons.

It is essential to wash new coloured items separately when washing for the first time.

When washing fabrics requiring different wash temperatures together, always select the lowest temperature.

White items should not be washed with coloured items.

Very small items (handkerchiefs, ribbons, socks etc.) should be washed in a washing bag or a pillow case.

Use a good quality detergent suitable for automatic washing machines.

Use the correct quantities of detergent.

For wool, use gentle detergents only in small quantities.

Bleach is very corrosive; it should be used with care and kept out of reach of children.

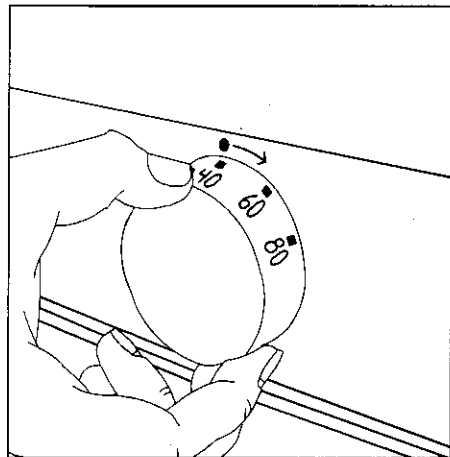
Some stains such as fruit, wine, grass, rust etc. are difficult to remove and should be treated before washing with specific products which can be found in most household shops. In some cases it may help to soak the stain before washing with a special pre-soak product or biological detergent.

Only wool marked «Pure New Wool - washable, preshrunk» can be washed in the machine using the wool programme; other types of wool should be washed by hand or dry cleaned.

When drying always load well spun laundry. The higher the spin speed the lower is electric energy consumption and the shorter is the drying time.


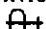
## Drying 2.25 kg (5 lb) of cotton

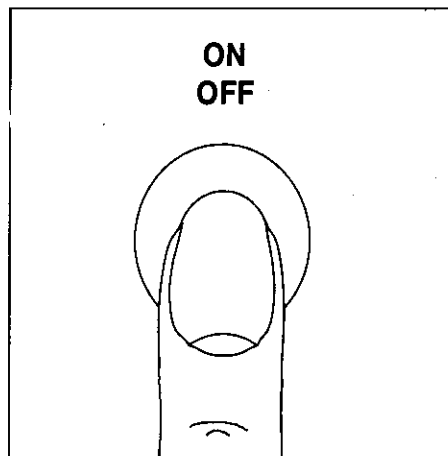
### 3 Select the time





Following indications given in the programme chart, turn the selector dial clockwise on the 40 mins (High Temperature Range).

### 4 Start the machine

Switch on the ON-OFF switch. The pilot lights  and  illuminate and the machine will start to work.



### 5 Stopping the machine

At the end of the programme the machine stops automatically and the Dryer Indicator Light  will go out. Depress the ON-OFF button, the light  goes out.

If the laundry is still too damp, select a further brief drying time, bearing in mind that during the last 8 minutes the appliance carries out a cooling and anti-crease phase.

## Use of controls

### 6 On/Off button

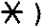
By depressing this button the machine starts operating. When it is depressed again, the machine stops.

### 7 Operating pilot light

This lights up when the ON/OFF button is depressed and goes out when the button is pressed again.

### 8 Adjustable thermostat dial

Press the dial to pop it out and then turn to the required temperature. The most suitable temperatures for all types of laundry are shown in the programme charts.

The temperatures shown can be reduced and even a cold wash can be used (dial to position  ) when your laundry is only slightly soiled or particularly delicate. In this way you will also save electricity.

### 9 Programme control

To select the required programme, press the knob to pop it out. Turn the knob clockwise until the marker at the top of the dial coincides with the required programme letter. Press the knob again if you wish to return it to its original position.

## How and when to use the controls

### Start

After loading the laundry and placing the washing powder or liquid and additives into the appropriate compartments, before starting up the machine check that:

- the appliance is plugged in
- the water supply taps are turned on
- the drain hose is correctly and securely positioned
- the door and the washing powder dispenser drawer are closed.

Depress the required pushbutton(s). Select the washing temperature via the adjustable thermostat dial. Select the required programme by turning the programme dial **clockwise**. Set the drying time if you are using the Wash 'n' Dry option. At this stage, press the ON/OFF button to start the programme up. The pilot light will come on and the programme will start.

### Stop

When the programme has finished, the programme dial will be in the «●» position and the machine will automatically stop.

**If you have depressed the «Rinse Hold» button, the water remaining in the wash tub must be drained by pressing again the same button before opening the door.**

If necessary, stop the machine by pressing the ON/OFF button again. At the end of the programme, all the buttons must be reset to the «rest» position (not depressed).

### The washing programmes

This washing machine has a wide range of programmes for optimum washing of all types of fabrics. The differences between the programmes are the rotation rhythm of the drum, the washing temperature, the water level, use or not of the spin cycle etc.

### Drying

The dryer part of this machine is a Turbo Condenser Dryer. During the drying cycle the machine uses a small amount of water. The clothes are dried by means of a continuous flow of hot air which as it passes through the drum, gradually reduces the moisture in the laundry. The moisture is then condensed within the machine. The condensed water is then drained away, together with the cooling water, through the drain hose. There is no need to provide special ventilation in the room in which the machine is installed.

The duration of the preset drying time may be shortened or extended during the drying cycle. Do not extend or shorten the drying period within the 8-0 minute cycle. During this time both the machine and the laundry are cooling off.

During a power failure it is advisable to remove the laundry from the machine. After a short mains power failure the machine will continue with the selected programme once the power is restored.

## Drying 2.25 kg (5 lb) of cotton

You have for example just machine-washed and spun at 1200 rpm 4.5 kg (10 lb) of laundry.

They are cotton fabrics of medium weight which you want to iron as soon as they are dry. Switch off the machine.

Then remove the laundry from the appliance and divide the items to obtain two loads of approx. 2.25 kg (5 lb) each.

### 1

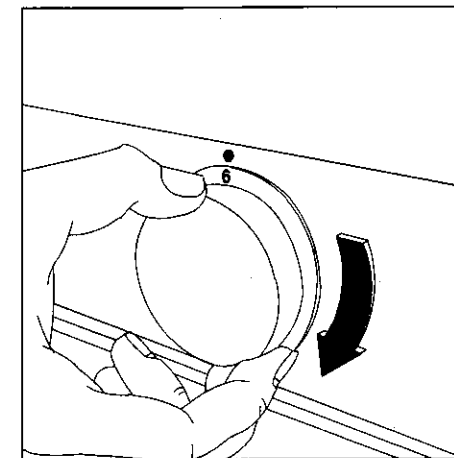
#### Load the laundry



Load the items you have to dry one at a time, shaking them out loosely and close the door.

### 2

#### Select the programme

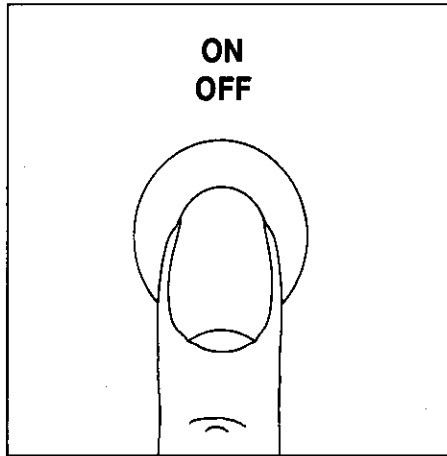


Turn the programme dial **clockwise** until number 6 on the dial coincides with the grey dot.



## Washing 2 kg of synthetic fabrics at 40°C

### 6 Start up



Check that:


- the appliance is plugged in
- the water taps are on
- the drain hose is correctly positioned

Then push the ON/OFF- button .

The pilot light will come on and the machine will start.

### 7 At the end of the programme

The machine automatically stops. **The door is controlled by a safety device which releases 1 - 2 minutes after the end of the programme.**

Push the ON/OFF-button  again and the pilot light will go out.

When the programme has finished you are advised to unplug the appliance and turn off the water taps.

## How and when to use the controls

### Important

The washer-dryer operates on the condensation principle. For this reason, when drying takes place, **the water tap must be open and the drain hose must be hooked over the sink if the machine is not permanently plumbed in.** The dispenser drawer must be fully closed.

Only laundry washed in water should be dried in this machine. In particular, the following fabrics should not be loaded into the machine:

- Clothes which were dry-cleaned or cleaned with chemical solvents;
- Woollens or mixed woollens which will shrink with heat;
- Extremely delicate fabrics such as silk and delicate synthetics;
- Sponge, rubber and similar items;
- Fibre glass items;
- Fabrics tending to fray.

### Wash 'n' dry

It is possible to programme the machine to run automatically from the wash programme through to the drying programme without pausing. In this case, the wash load must be no more than 2.25kg (5 lb) for cottons and a maximum of 1.5kg (2.2 lb) for synthetics. The drying time should be selected at the beginning of the wash programme. This is possible on all programmes except the Wool, Silk and Delicates (10-11-12-13-14 programmes).

### Drying times

The drying times of all fabrics will depend on the extent to which they have been spun as well as the fabric characteristics. The higher the spin speed the shorter the drying time. To alleviate creasing, care should be taken not to overdry clothes. All clothes should be removed from the drum as quickly as possible after completion of a drying cycle.

### Important

Polycottons of less than 70% cotton should NOT be dried using «High Temperature» drying. Only polycottons with more than 70% cotton content should be dried using programme 6. If you are not sure of the cotton content use «Low Temperature» drying.

## Wash code symbols

The familiar wash code symbols which are found on the care labels in most clothes will gradually disappear and a new set of codes will be introduced. This change is due to changes in fabrics and detergents

and because people are tending to use fewer programmes and mix fabrics in one load. The change will bring the codes into line with the labelling used in the rest of Europe.

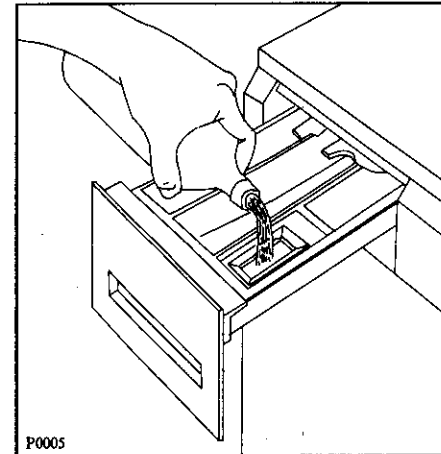
Old Symbol	New Symbol	Wash Action	Fabric
		Normal (Maximum)	White Cotton or Linen without Special Finishes
		Normal (Maximum)	Cotton, Linen or Viscose without Special Finishes Colourfast at 60° C.
	No longer used. White Nylon, Polyester/Cotton mixtures now included in		
		Reduced (Medium)	Nylon, Polyester/Cotton, Viscose with Special Finishes: Cotton/Acrylic Mix.
		Normal (Maximum)	Cotton, Linen or Viscose Colourfast at 40°C but not 60°C.
		Reduced (Medium)	Acrylics, Acetate, Triacetate, Wool mixes, Polyester/wool blends.
		Much Reduced (Minimum)	Wool, wool mixes. Silks.
	No longer used. Silk now included in  ; printed acetate included in		
	No longer used.		

The new symbols have been used on the Programme Guide of this machine, and are listed in the Programme Charts on page 19 and 20.

The new wash symbols will also appear on the side of Washing Powder packets.

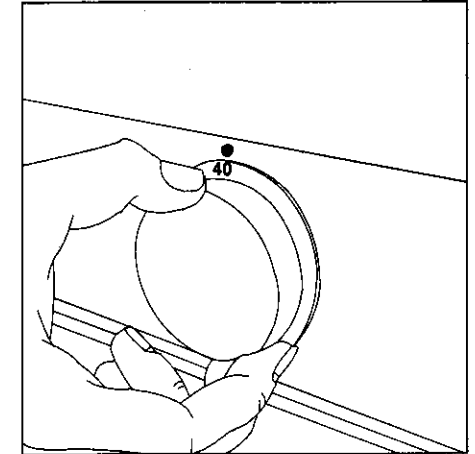
## Washing 2 kg of synthetic fabrics at 40°C

### 3 Measure out the additives



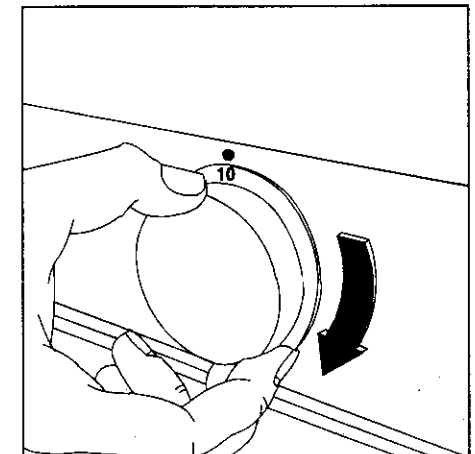
Pour the softener, if required, into the compartment marked ; do not exceed the MAX level. Close the drawer gently.

### 4 Select the temperature



Turn the adjustable thermostat dial to 40°C.

### 5 Select the programme

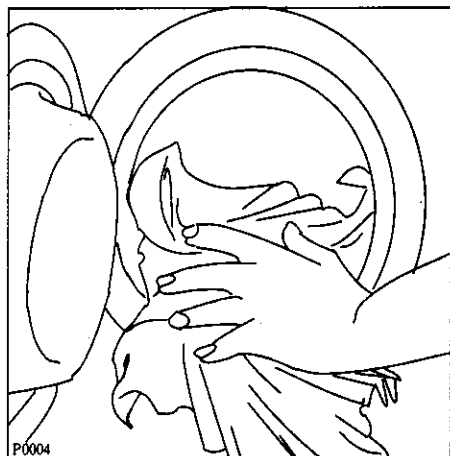


Turn the programme dial **clockwise** until number 10 on the dial coincides with the grey dot.

## Washing 2 kg of synthetic fabrics at 40°C

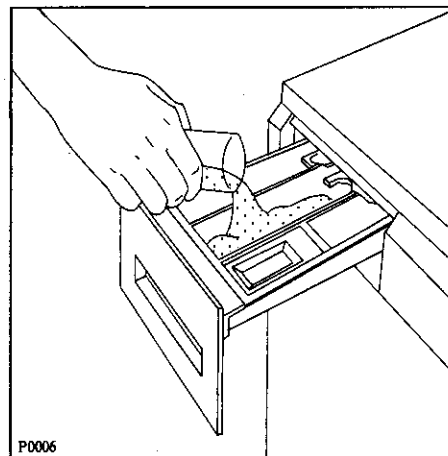
Suppose you have 2 kg of synthetic fabric laundry to wash. They are rather delicate fabrics and should not be washed at a high temperature.

### 1 Load the laundry



Open the door by pulling the catch outward. Load the items to be washed one at a time and close the door.

### 2 Measure out the washing powder



Pour the washing powder into compartment **II**, the main wash compartment.

## Programmes for cotton and linen

### Washing programmes

Recommended load: max. 4.5 kg (10 lb)

PROGRAMME	DEGREE OF SOIL	COMPARTMENTS TO USE (☒ if required)	PROGRAMME AND TEMP. DIAL POSITION	DESCRIPTION
<b>95</b> BOILWASH with prewash	Heavy		<b>1</b> <b>95</b>	Prewash at 40°C Wash at 95°C 5 rinses Spin
<b>95</b> BOILWASH (*)	Normal		<b>2</b> <b>95</b>	Wash at 95°C 5 rinses Spin
<b>60</b> HOT WASH	Normal		<b>3</b> <b>60</b>	Wash at 60°C 5 rinses Spin
<b>40</b> WARM WASH	Normal		<b>4</b> <b>40</b>	Wash at 40°C 5 rinses Spin
SPIN			<b>5</b>	Long spin approx. 6 min. Always preceded by a low-speed draining phase
SHORT SPIN			<b>8</b>	Short spin approx. 2 min. Always preceded by a low-speed draining phase

(\*) For an economy wash, if your laundry is not heavily soiled, you can select 60° instead of 95°C.

Water filling: 40°/50°C programmes - cold water filling; 60°C programmes - hot and cold filling. 95°C programmes - hot water filling only, unless the heavy soil button is used.

### Wash 'n' Dry Programmes

Recommended load: max. 2.25 kg (5 lb) drying only.

Do NOT use ball dispensers on Wash 'n' Dry programmes. The automatic drying can be used on programmes 1, 2, 3, 4, 5 and 8 by setting the drying time at the beginning of the wash programme.

### Energetic drying programme (0-80 mins - indicated by continuous line (High Temp.))

Fabric type/ Spin speed	Programme	Quantity	Drying time	
			Iron dry	Cupboard-dry
Cotton and linen (Long spin at 1200 rpm)	<b>6</b>	2.25 Kg (5 lb)	40-50 mins	60-70 mins
		2.0 Kg (4 lb)	35-45 mins	55-65 mins
		1.5 Kg (3 lb)	30-40 mins	40-50 mins
		1.0 Kg (2 lb)	25-30 mins	35-40 mins










The drying times indicated in this table are for drying cotton towels. By varying the composition of the load, the drying times indicated will vary.

## Programmes for synthetics, silk and wool

### Washing programmes

Recommended load: max. 2 kg (4.5 lb); wool max. 1 kg (2.2 lb) washing only.

(\*) If the «Rinse Hold» button has been depressed the machine will not proceed to the spin as indicated, until the button has been released, but will have water left in the drum.

PROGRAMME	DEGREE OF SOIL	COMPARTMENTS TO USE (⊗ if required)	PROGRAMME AND TEMP. DIAL POSITION	DESCRIPTION
 NORMAL WASH	Normal		<b>7</b> <b>50</b>	Wash at 50°C 3 rinses Short spin (*)
 DELICATE WASH	Normal		<b>10</b> <b>40</b>	Wash at 40°C 3 rinses Short spin (*)
 WOOL	Normal		<b>11</b> <b>40</b>	Wash at 40°C 3 rinses Short spin (*)
QUICK WASH	Light		<b>12</b> <b>30</b>	Wash at 30°C 3 rinses Short spin (*)
RINSES			<b>13</b>	3 rinses with additive if required Short spin (*)
CONDITIONER			<b>14</b>	1 rinse with additive if required Short spin (*)
DRAIN			<b>15</b>	Draining of water

### Wash 'n' Dry Programmes

Automatic drying can be used on programme 7, by setting the drying time at the beginning of the wash programme.

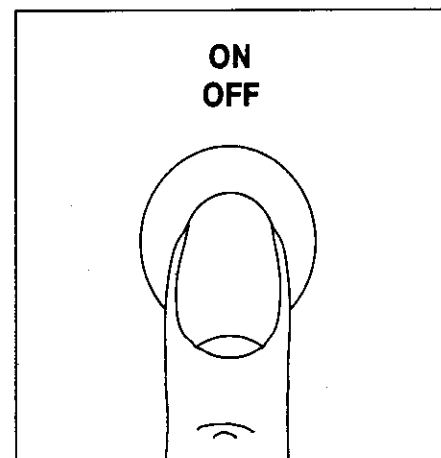
### Delicate Drying Programme (0-80 mins - indicated by dotted line (Low Temp).

Fabric type/ Spin speed	Programme	Quantity	Drying time	
			Iron dry	Cupboard-dry
Synthetics (Short spin at 850 rpm)	<b>9</b>	1.5 Kg (3 lb)	—	75-80 mins
		1.0 Kg (2 lb)	—	50-60 mins
		0.5 Kg (1 lb)	—	35-40 mins

The drying times given in this table are just an indication of the average drying times.

## Washing 4 kg of white cotton at 95°C

### 6 Start up



Check that:


- the appliance is plugged in
- the water taps are on
- the drain hose is correctly positioned

Then push the ON/OFF- button .

The pilot light will come on and the machine will start.

### 7 At the end of the programme

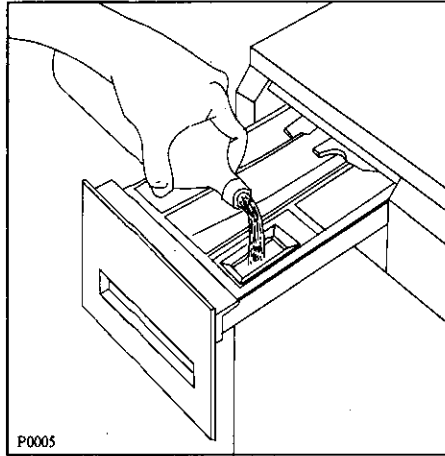
The machine automatically stops. The door is controlled by a safety device which releases 1 - 2 minutes after the end of the programme.


Push the ON/OFF-button  again and the pilot light will go out.

When the programme has finished you are advised to unplug the appliance and turn off the water taps.

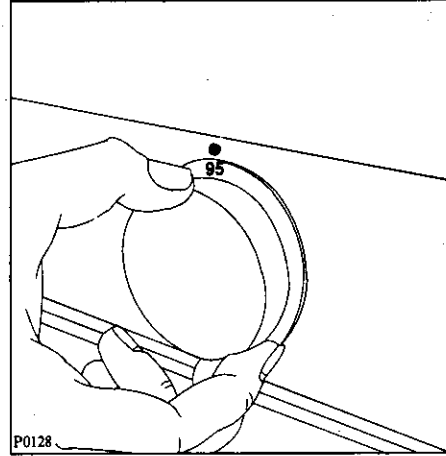
## Washing 4 kg of white cotton at 95°C

### 3 Measure out the additives



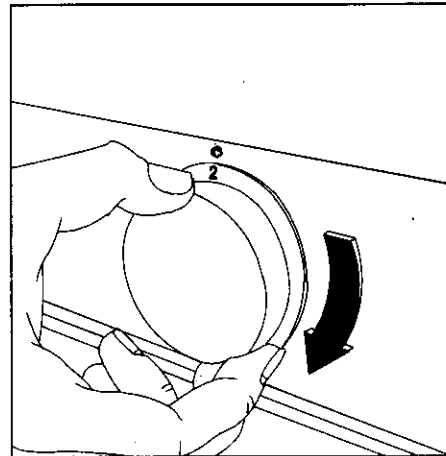
Pour the softener, if required, into the compartment marked ; do not exceed the MAX level. Close the drawer gently.

### 4 Select the temperature



Turn the adjustable thermostat dial to 95°C.

### 5 Select the programme



Turn the programme dial **clockwise** until number 2 on the dial coincides with the grey dot.

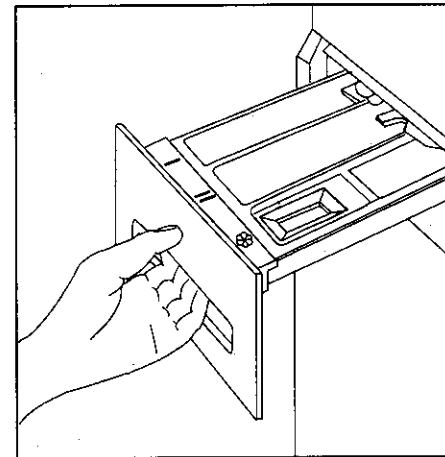
## Use of detergent and additives


### Choosing the right washing powder


Always use a low lather powder. This is important as too much lather prevents the articles from being properly cleansed and you may damage the machine.

### Use of washing powder

The washing powder should be placed in the appropriate compartments in the washing powder dispenser drawer before starting the programme.



The compartment marked with the symbol  is for the prewash powder (if required by the programme).

The compartment marked with the symbol  is for the main wash powder.

### How much detergent?

Your washing machine has a unique water circulation system which runs continuously. This means that it uses detergent sparingly.


Initially you are advised to use less than the quantity specified by the detergent manufacturer.

Subsequently it is worth experimenting to see if your laundry comes out clean with smaller quantities.

Powder residue left on the clothes at the end of a wash indicates the use of too much powder. If the drum is only half-full, you can obviously use less detergent.


## Use of detergent and additives

### Use of liquid detergent

Suitable liquid detergent can be used instead of washing powder. In this case a programme without prewash must be selected. Pour the liquid detergent into the compartment  in the dispenser drawer immediately before starting the programme.

If the detergent has its own dispenser ball, this should be used according to the manufacturer's instructions.

### Use of liquid additives

Any liquid additives for softening or starching the laundry must be poured into the appropriate compartment of the washing powder dispenser drawer before starting the programme. The compartment marked with the symbol  is for softeners or starching agents. Concentrated additives **MUST** be diluted before pouring in the compartment. Never exceed the MAX level.

### Important

Before the drying cycle always remove re-usable plastic detergent dispensers designed to be placed inside the drum with the clothes as the plastic used is not designed to withstand the heat of the drying cycle.

### Note

Once the dispenser is filled, close it by pushing it in gently. This is particularly important if you are using fabric conditioner because if the drawer is slammed it will cause the conditioner to enter the machine prematurely.

## Washing 4 kg of white cotton at 95°C

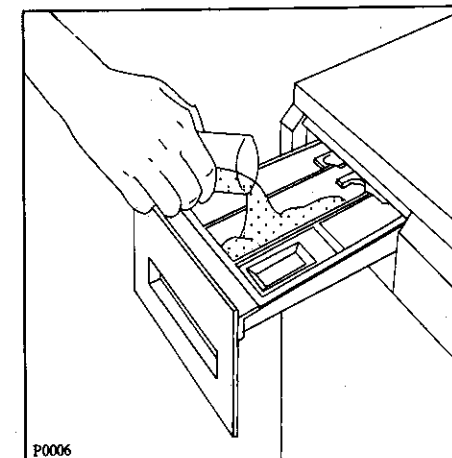
Suppose you have 4 kg of normally soiled laundry to wash. It is white cotton and resistant to high temperature washing.


### 1 Load the laundry



Open the door by pulling the catch outward. Load the items to be washed one at a time and close the door.

### 2 Measure out the washing powder



Pour the washing powder into compartment , the main wash compartment.

## Free Manuals Download Website

<http://myh66.com>

<http://usermanuals.us>

<http://www.somanuals.com>

<http://www.4manuals.cc>

<http://www.manual-lib.com>

<http://www.404manual.com>

<http://www.luxmanual.com>

<http://aubethermostatmanual.com>

Golf course search by state

<http://golfingnear.com>

Email search by domain

<http://emailbydomain.com>

Auto manuals search

<http://auto.somanuals.com>

TV manuals search

<http://tv.somanuals.com>